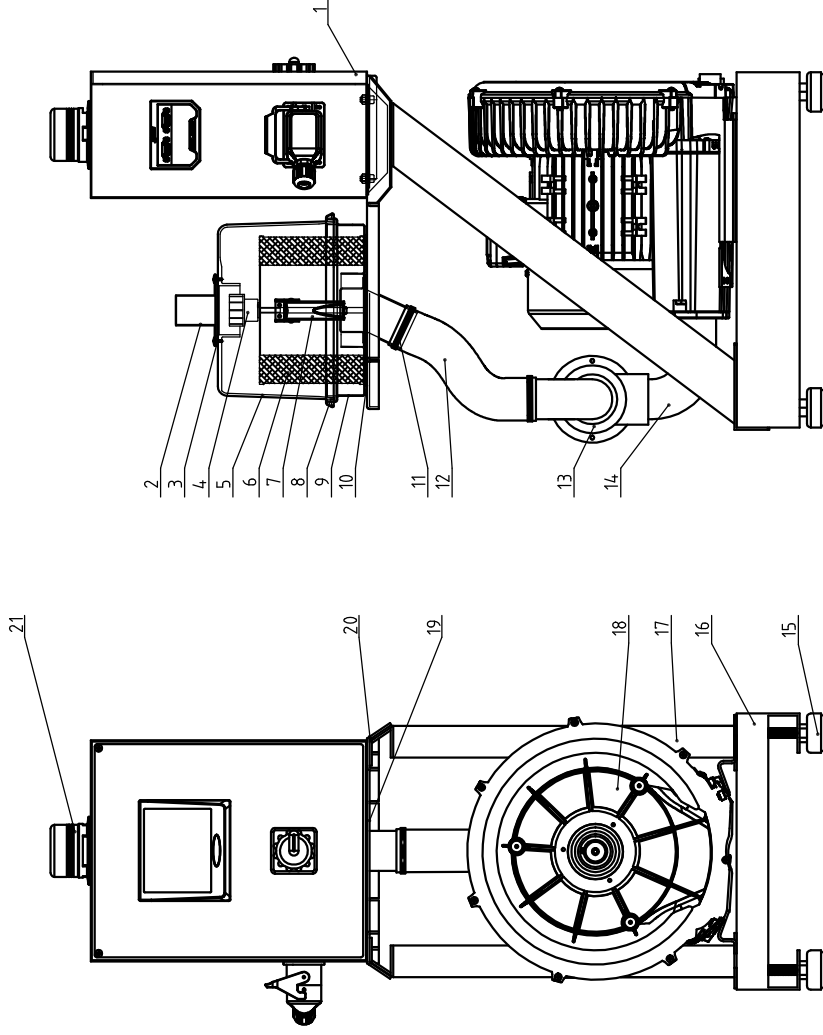


SAL-1HP-UGP assembly diagram and parts List.



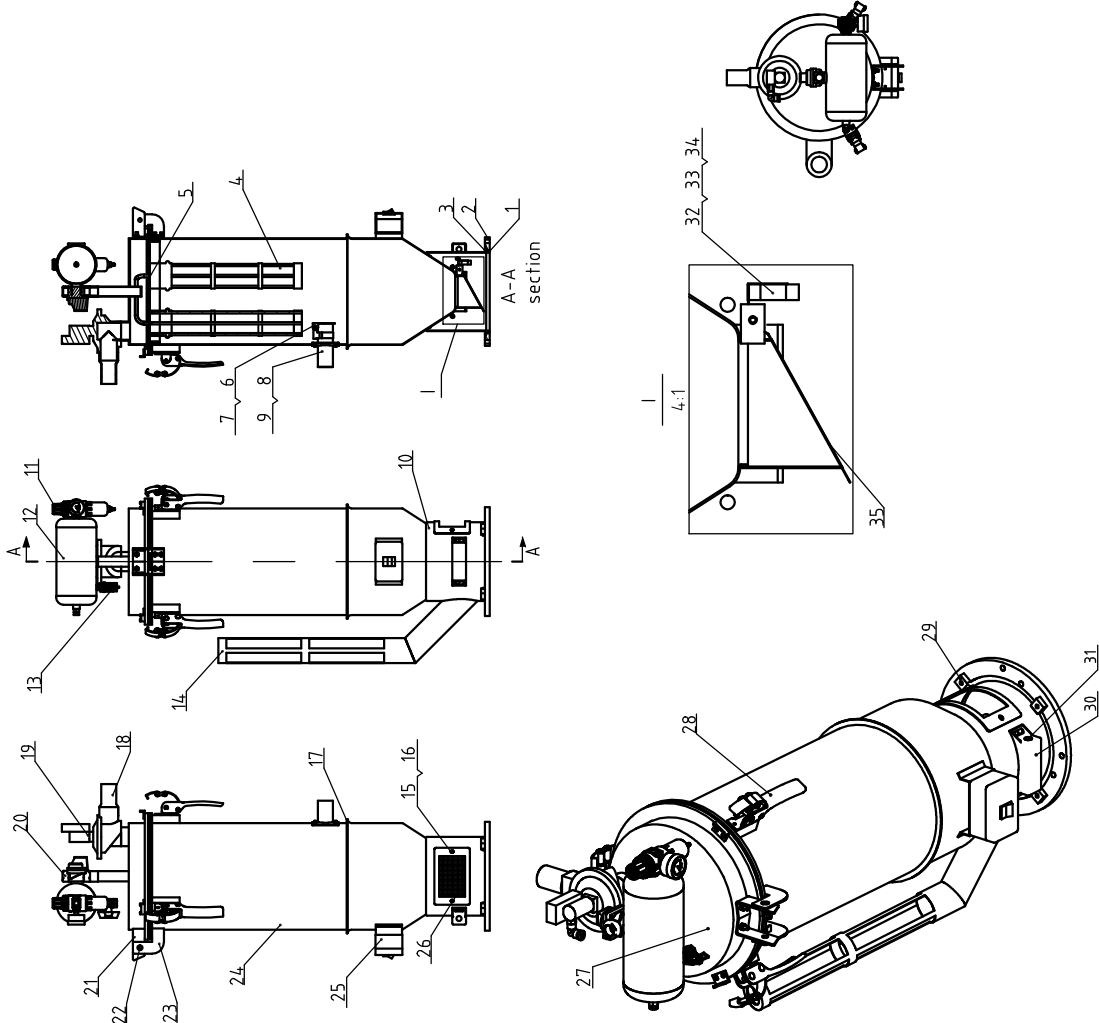
“*”Indicates the items that may be damaged; “**” indicates the items that are more likely to be damaged. It is recommended to back them up.
 Please confirm the version number of the instruction manual before placing an order to purchase spare parts, so as to ensure that the material number of spare parts is consistent with the physical one.

No.	Material number	Name	Mat.	Num	Remarks
21	BL90000011520	3-color alarm light/red, yel, gre.* buzzer/AC/DC24*	Assembly	1	
20		Filter barrel fixed frame		1	
19	BL50135000020	Wire fixture fixed plate PG13.5	SPCC2.0	1	
18	BM30031000150	Shini blower RB-310/1HP*	Assembly	1	
17		Column		1	
16		Base		1	
15	YW03005000000	Foot padφ50	Rubber	4	
14		Inlet pipe		1	
13	BY20003800200	Vacuum breaking valve SYBY-38	Assembly	1	2A,VAC
12	YR60500700100	Steel wire endoring Pulley base 116-851-1011 wire dia.0W61 height 8.1mm	Assembly	0.7m	
11	YW020065000100	Street wire clamp 65mm	SUS201	2	
10	YR10080000000	Fastener SAL-810G-A-04(rubber/blak.)*	Rubber	1	
9		Filter barrel cover		1	
8	YR10080000300	Filter barrel fastener SAL-810G-A-03*	Rubber	1	
7	YW02003000400	Snap hook SAL-6U-A-35*	Assembly	2	
6	YR507080000100	Filter 189×115×125*	Assembly	1	
5	YL22081000000	PC filter barrel SAL-810G-A-05(ver.0)has mould)*	PC	1	
4	YW09675100000	Small star nut 5/16		1	
3	YR10243600000	Suction pipe round fastener SAL-24U/36U*	Rubber	1	
2		Filter barrel suction port		1	
1		Control box assembly	SUS201	1	

Title		SAL-1HP-UGP		Drawing no.		SAL-1HP-UGP		Scale		1/6		No.		1		Remarks	
		Vacuum Powder Loader				(for assembly drawings)											
Mark		Before Mod.	After Mod.	Mod. by	Date	App.	Check	Desi.	Dra.	Ver.		App.	by	Date			Surface req.
																	Mat. Assembly
																	Mat. No.



SHR-P-12U assembly diagram and parts List.



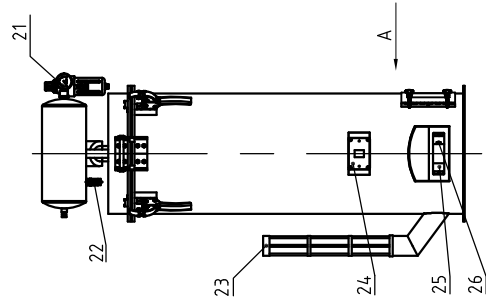
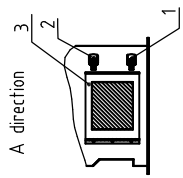
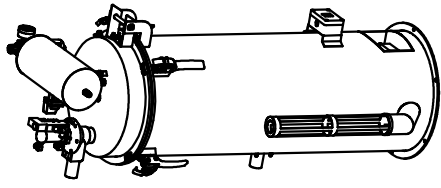
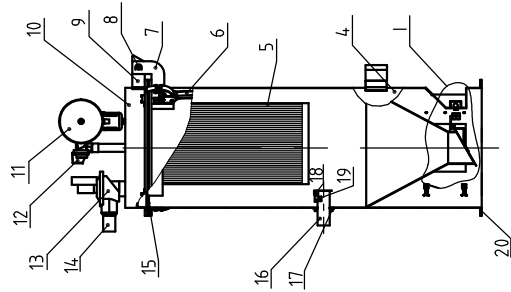
No.	Material number	Name	Scale	1:12	No.	Mat	Num	Remarks
35	BL21000602320	Discharge plate SAL-6U-A-06(FI)*					1	
34	BL21000600120	Magnet cover SAL-6U-07(SUS201)					1	
33	YW90257700000	Permanent magnet $\phi 25 \times \phi 7 \times 7$					1	
32	BH12000600010	Magnet sleeve SAL-6U-19					1	
31	YE15123000400	Reed switch BNT2-30BLAL40mm 24V*					1	
30	YR40000601100	Sensor shell SAL-6U-07/plastic (white/has mold)					1	
29	YW20000600500	Pressing block SAL-6U(AL)(has mold)(SAL-6U-18 YL112)					4	
28	YW00121000000	Handle SPD-12/100 (has mold)*					3	
27		Filter barrel cover					SUS201	
26	YP82050000000	Punched felt 500G Polyester 100ML x 2.15 W					0.05M	
25	YR40010000200	Anti-water Junction box WDJH-10 plastic (white/has mold)					ABS	
24		Filter barrel					Assembly	
23		Lower hinge					SUS201	
22	BH1000600310S	Hinge pin SAL-6U-A-31(SUS201)					SUS201	
21		Upper hinge					SUS201	
20	YE30002007100	Diaphragm RMF-Z-20IG3/4"/24VAC(Has mold)*						
19	BY20382400550	Vacuum breaking valve SPDV-38(24 VAC)						
18	BL22900000320	Suction pipe 2 SAL-900G-A-04						
17	BL21001208120	Pipe clamp assembly SAL-12U-A-04 (ver-D)						
16	YR40000601000	Vent window SAL-6U-A-01(stainless steel net/white)						
15	YR40061500000	Star handle SAL-6U-02/M6x15					2	
14	BP82774800044	Filter cloth bag SHR-P-12U-A-0300					T500g	
13	YY160001430000	Butterfly ball valve $\frac{1}{2}$ "PT copper						
12		Air accumulator					SUS201	
11	YE30200202000	Filter & pressure regulating valve AFR-2000*						
10		Hopper assembly					SUS304	
9		Inlet pipe fastener *					Silical gel	
8		Inlet pipe *					SUS201	
7		1.5" Backstop non-return piece						
6		1.5" Backstop					SUS304	
5		Filter flange					SUS201	
4	BP82774000044	Filter cloth bag SHR-P-12U-A-0300(77-40mm one-net safety)					T500g	
3		Base fastener*					EVA 3.0	
2	BW21275100010	Mount base SAL-6U(Pressure:0.075-0.15)SAL-6U-A-09(Has mold)						
1	YR20205500000	O seal ring inner $\phi 200 \times 5.5^*$						

Title		Drawing no.		Scale		1:12		No.	
SHR-P-12U		SHR-P-12U		SHR-P-12U		SHR-P-12U		SHR-P-12U	
Powder Hopper Receiver		SHR-P-12U(for assembly drawing)		SHR-P-12U		SHR-P-12U		SHR-P-12U	
Ver.		App by		Date		Mod. by		Date	
Dra.		Desi.		Check		App.		Mark	
Before Mod.		After Mod.		Date		Date		Date	

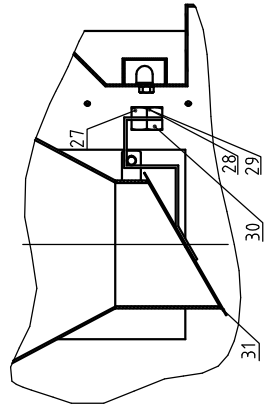


* indicates the items that may be damaged; ** indicates the items that are more likely to be damaged. It is recommended to back them up. Please confirm the version number of the instruction manual before placing an order to purchase spare parts, so as to ensure that the material number of spare parts is consistent with the physical one.

SHR-P-30U-1 assembly diagram and parts List.



1/2-1



No	Material number	Name	Mat	Num	Remarks
31		Discharge plate *	SUS201	1	
30	BH20030000510	Clump weight SHR-P-30U-A-13(H58)		1	
29	BH12000600010	Magnet sleeve SAL-6U-19		1	
28	BL21000600120	Magnet cover SAL-6U-07		1	
27	YW90257700000	Permanent magnet φ25×φ7×7		1	
26	YE15123000400	Reed switch BN12-30BLA/1.00mm 24V*		1	
25		Sensor shell	SUS201	1	
24	YR40010000200	Anti-water junction box WDJH-100 plastic		1	
23	BP82714800044	Filter cloth bag SJK-P-90φ71×460mm		1	
22	YY60001430000	Butterfly ball valve 1"PT copper		1	
21	YE30200020000	Filter & pressure regulating valve AFR-2000*		1	
20		Filter barrel fastener *	EVA3.0	1	
19		1.5" Backstop		1	
18		1.5" Backstop non-return piece		1	
17		Inlet pipe fastener *	Silical gel	1	
16		Inlet pipe *	SUS201	1	
15		Filter flange	SUS201	1	
14		Suction port connector	SUS201	1	
13	BY20382400550	Vacuum breaking valve SPDV-38(2VAC)		1	
12	YE30002007100	Diaphragm valve RHF-Z-28(03/4"×24VAC)(has mold)		1	
11		Air accumulator	SUS201	1	
10		Filter barrel cover	SUS201	1	
9		Upper hinge	SUS201	1	
8	BH11003001510	Steel shaft SHR-P-30U-A-09	SUS201	1	
7		Lower hinge	SUS201	1	
6	YW00121000000	Handle SH-12/1000 (has mould)*	SUS201	4	
5	YR50450500000	Filter HSL-450/5 PE plate*		1	
4		Filter barrel	SUS201	1	0.05M
3	YP82050000000	Painted rel 500G Polyester 100M L × 2.15 W		1	
2		Vent window	SUS201	1	
1	YW02003000400	Adjust table snap hook SAL-6U-A-35*	SUS201	2	

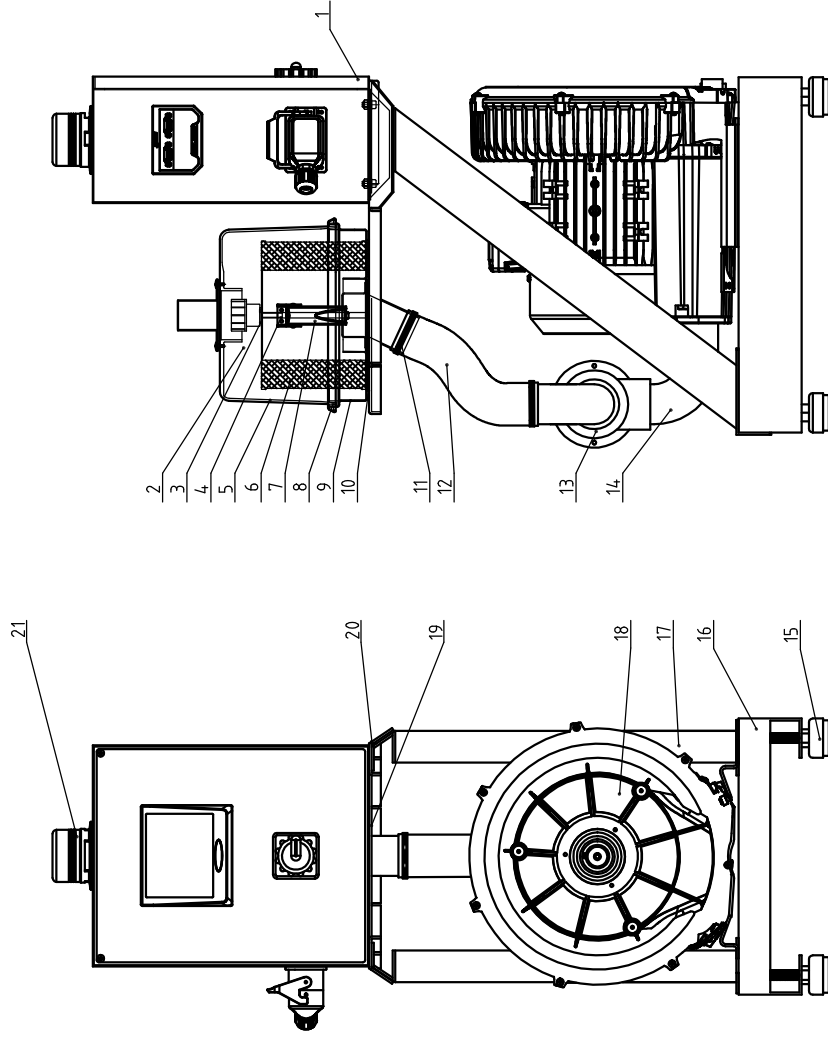
Mark	Before Mod.	After Mod.	Mod. by	Date	App.	Check	Desi.	Dra.	Ver.

Title		SHR-P-30U-1		Drawing no.		SHR-P-30U-1(for assembly drawing)		Scale		1:5		No.		1	
Title		Powder Hopper Receiver		Drawing no.		SHR-P-30U-1(for assembly drawing)		Scale		1:5		No.		1	
Mark		Before Mod.		After Mod.		Mod. by		Date		App.		Check		Desi.	
Mark		Before Mod.		After Mod.		Mod. by		Date		App.		Check		Desi.	

SHINI		上海新力机械设备有限公司		SHINI		SHINI		SHINI		SHINI		SHINI		SHINI	
SHINI		上海新力机械设备有限公司		SHINI		SHINI		SHINI		SHINI		SHINI		SHINI	

“*”indicates the items that may be damaged, “***” indicates the items that are more likely to be damaged. It is recommended to back them up. Please confirm the version number of the instruction manual before placing an order to purchase spare parts, so as to ensure that the material number of spare parts is consistent with the physical one.

SAL-2HP-UGP assembly diagram and parts list.



“*” indicates the items that may be damaged; “**” indicates the items that are more likely to be damaged. It is recommended to back them up. Please confirm the version number of the instruction manual before placing an order to purchase spare parts, so as to ensure that the material number of spare parts is consistent with the physical one.

No.	Material number	Name	Mat.	Num	Remarks
21	BL90000011520	3-color alarm light/red, yel. gr.+ buzzer/AC/DC24*	Assembly	1	
20		Filter barrel fixed frame	Assembly	1	
19	BL50135000020	Wire fixture fixed plate PG13.5	SPCC2.0	1	
18	BM30042000050	Shini blower RB-420/2HP*	Assembly	1	
17		Column		1	
16		Base		1	
15	YW03005000000	Foot padφ50	Rubber	4	
14		Inlet pipe		1	
13	BY20003800200	Vacuum breaking valve SVBY-38	Assembly	1	2A,VAC
12	YR60500700100	Steel wire clamp φ5mm <small>Steel wire clamp φ5mm 100-150-170-190-210mm</small>	Assembly (0.7m)	1	
11	YW020065000100	Street wire clamp φ5mm	SUS201	2	
10	YR10080000000	Fastener SAL-810G-A-04(rubber/blck.)*	Rubber	1	
9		Filter barrel cover		1	
8	YR10080000300	Filter barrel fastener SAL-810G-A-03*	Rubber	1	
7	YW02003000400	Snap hook SAL-6U-A-35*	Assembly	2	
6	YR507080000100	Filter 189×115×125*	Assembly	1	
5	YL22081000000	PC filter barrel SAL-810G-A-05(iver-01has read)*	PC	1	
4	YW09675100000	Small clear nut 5/16		1	
3	YR10243600000	Suction pipe round fastener SAL-244/36U*	Rubber	1	
2		Filter barrel suction port		1	
1		Control box assembly	SUS201	1	

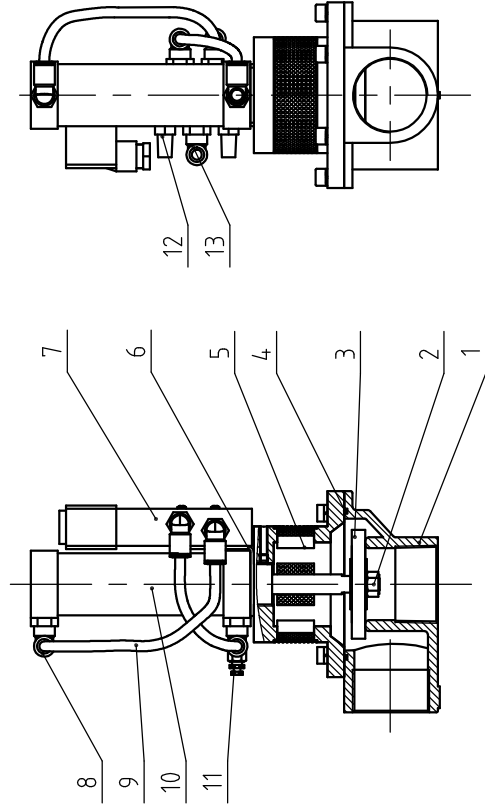
Title		Drawing no.		Scale	
SAL-2HP-UGP		SAL-2HP-UGP		1:6	
Vacuum Powder Loader		(for assembly drawings)		Mat.	
				Surface req.	
				Mat No.	

Mark	Before Mod.	A fter Mod.	Mod. by	Date	App.	Date	Ver.

Title		Drawing no.		Scale	
SAL-2HP-UGP		SAL-2HP-UGP		1:6	
Vacuum Powder Loader		(for assembly drawings)		Mat.	
				Surface req.	
				Mat No.	



Attached:SVBV-38 assembly diagram and parts List(BY20003800200).

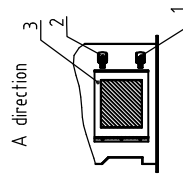
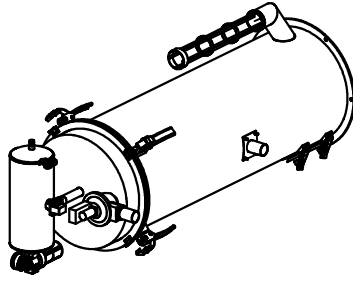
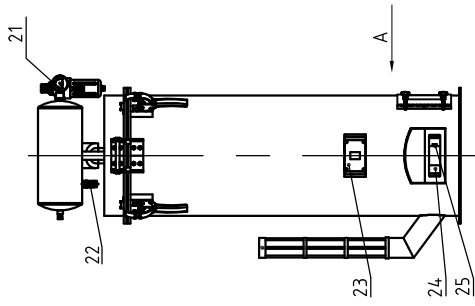
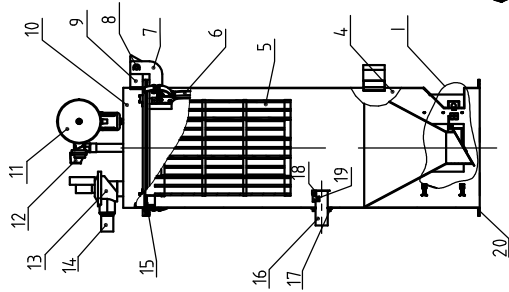


"*"Indicates the items that may be damaged; "***" indicates the items that are more likely to be damaged.
 It is recommended to back them up.
 Please confirm the version number of the instruction manual before placing an order to purchase spare parts, so as to ensure that the material number of spare parts is consistent with the physical one.

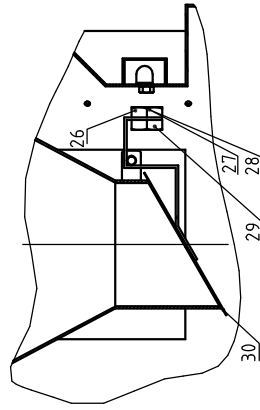
13	YW80081800100	L screw connector APL8-01 1/8-φ8(AirTAC)	Assembly	1	
12	YW80010800000	Copper muffler 1/8"(has mould)	Assembly	2	
11	YW800061800000	Adjustable air pipe connector ASL6-1/8	Assembly	1	
10	YE31326000100	Cylinder MBL32×20-U (Air TAC)*	Assembly	1	
9	YR60000600400	PU air pipe φ6 blk. 200m/roll	PU	0.3m	
8	YW8000618000200	L screw connector APL6-01 1/8-φ6	Assembly	3	
7	YE32421600100	Solenoid valve 4V210-06/DC24V AirTAC*	Assembly	1	
6	BL20380500020	Solenoid valve fixed piece SPDV-38-ALL-05	SPCC2.0	1	
5	BW20380100010	Upper cover SVBV-38-ALL-01	Assembly	1	
4	YR20258900000	O type seal ring φ89×φ2.5*	Rubber	1	
3	BR10651200040	4-way valve diaphragm 65×12×8mm covered (has mould)**	Assembly	1	
2		Hex. nut M10×1.25		1	With cylinder
1	BW20001500910	Lower cover SPDV-38-ALL-02 white	YL112	1	
No.	Material number	Name	Mat.	Num	Remarks
Title SVBV-38		Drawing no.	Scale 1:4	No. 1	
Vacuum Breaking Separator		SVBV-38(for assembly drawing)		Mat	Assembly
		信易電熱機械股份有限公司 Shini Plastics Technologies, Inc.	Surface req		
Mark Before Mod.		After Mod.	Mod. by	Date	



SHR-P-30U assembly diagram and parts List.



1/2-1



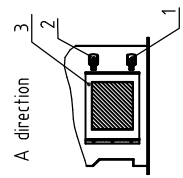
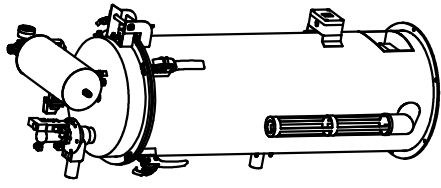
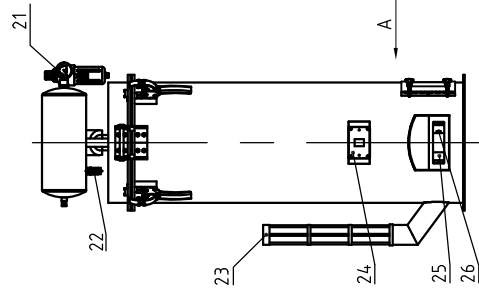
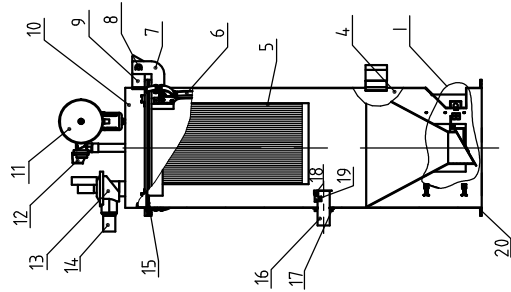
No	Material number	Name	Scale	1:15	No.	1	Remarks
30	BH12003000510	Discharge plate *					SUS201 1
29	BH12003000510	Cump weight SHR-P-30U-A-13(H58)					1
28	BH12000600010	Magnet sleeve SAL-6U-19					1
27	BL21000600120	Magnet cover SAL-6U-07					1
26	YW90257700000	Permanent magnet $\phi 25 \times \phi 7 \times 7$					1
25	YE15123000400	Reed switch BN12-30BLA/180mm 24V*					1
24		Sensor shell					SUS201 1
23	YR40010000200	Anti-water junction box WDJH-100 plastic					1
22	YY60001430000	Butterfly ball valve, "PT copper					1
21	YE30200020000	Filter & pressure regulating valve AFR-2000*					1
20		Filter barrel fastener*					EVA3.0 1
19		1.5" Backstop					1
18		1.5" Backstop non-return piece					1
17		Inlet pipe fastener *					Silical gel 1
16		Inlet pipe *					SUS201 1
15		Filter flange					SUS201 1
14		Suction port connector					SUS201 1
13	BY20382400550	Vacuum breaking valve SPDV-38(24-VAC)					1
12	YE30002007100	Diaphragm valve RHF-Z-200(G3/4"Z4VAC(has mold)*					1
11		Air accumulator					SUS201 1
10		Filter barrel cover					SUS201 1
9		Upper hinge					SUS201 1
8	BH11003001510	Steel shaft SHR-P-30U-A-09					SUS201 1
7		Lower hinge					SUS201 1
6	YW00121000000	Handle SHD-12/100 (has mold)*					4
5	BP82774800044	Filter cloth bag SHR-P-90 $\phi 77 \times 480$ mm*					8
4		Filter barrel assembly					SUS201 1
3	YP82050000000	Punched felt 500G Polyester 100ML \times 2.15 W					0.05M
2		Vent window					SUS201 1
1	YW02003000400	Adjustable snap hook SAL-6U-A-35*					2

Title		Drawing no.		Scale		Remarks	
SHR-P-30U		SHR-P-30U(for assembly drawing)		1:15		No. 1	
Powder Hopper Receiver						Mat. Assembly	
						Surface req.	
						Mat. No	

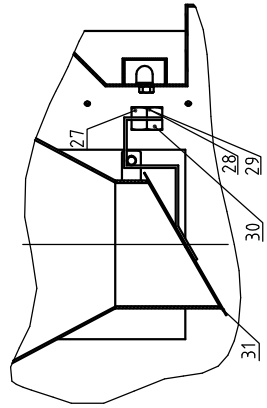


Mark	Before Mod.	A fter Mod.	Mod. by	Date	App.	Date

SHR-P-30U-2 assembly diagram and parts List.



1/2-1



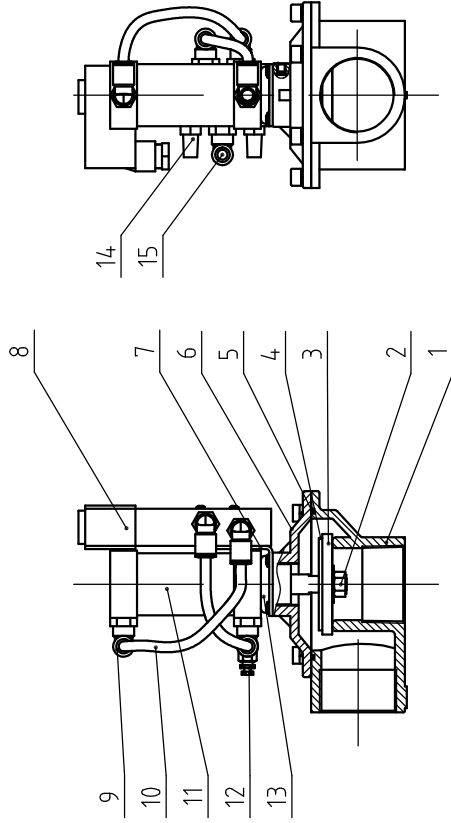
No	Material number	Name	Scale	Mat	Num	Remarks
31		Discharge plate *	1:5	SUS201	1	
30	BH20030000510	Clump weight SHR-P-30U-A-13(H58)			1	
29	BH2000600010	Magnet sleeve SAL-6U-19			1	
28	BL21000600120	Magnet cover SAL-6U-07			1	
27	YW90257700000	Permanent magnet φ25×φ7×7			1	
26	YE15123000400	Reed switch BN12-30BLA/180mm 24V*		SUS201	1	
25		Sensor shell			1	
24	YR40010000200	Anti-water junction box WD.H-100 plastic			1	
23	BP82714800044	Filter cloth bag SHR-P-90φ71×480mm *			1	
22	YY60001430000	Butterfly ball valve 1"PT copper			1	
21	YE30200020000	Filter & pressure regulating valve AFR-2000*			1	
20		Filter barrel fastener *		EVA3.0	1	
19		1.5" Backstop			1	
18		1.5" Backstop non-return piece			1	
17		Inlet pipe fastener *		Silical gel	1	
16		Inlet pipe *		SUS201	1	
15		Filter flange		SUS201	1	
14		Suction port connector		SUS201	1	
13	BY20382400550	Vacuum breaking valve SPDV-38(24VAC)			1	
12	YE30002007100	Diaphragm valve RHF-Z-200(3/4"24VAC)(has mold)			1	
11		Air accumulator		SUS201	1	
10		Filter barrel cover		SUS201	1	
9		Upper hinge		SUS201	1	
8	BH11003001510	Steel shaft SHR-P-30U-A-09		SUS201	1	
7		Lower hinge		SUS201	1	
6	YW00121000000	Handle SPD-12/1000 (has mold)*		SUS201	4	
5	YR50450500000	Filter HSL-450/5 PE plate*			2	
4		Filter barrel		SUS201	1	
3	YP82050000000	Painted (oil 500G Polyester 100M L x 2.15 W 0.05M)			0.05M	
2	YW02003000400	Vent window		SUS201	1	
1		Adjustable snap hook SAL-6U-A-35*			2	

Title		Drawing no.		Scale		Mat	
SHR-P-30U-2		SHR-P-30U-2		1:5		SUS201	
Powder Hopper Receiver		(for assembly drawing)					
Dra.		Ver.		Surface req.		Mat. No	
Desi.		App by		Mat. Assembly			
Check		Date					
App.		Date					
Mod. by		Date					
After Mod.		Date					
Before Mod.		Date					
Mark							



** indicates the items that may be damaged; "*" indicates the items that are more likely to be damaged. It is recommended to back them up. Please confirm the version number of the instruction manual before placing an order to purchase spare parts, so as to ensure that the material number of spare parts is consistent with the physical one.

Attached:SPDV-38 assembly diagram and parts List(BY203824-00550).

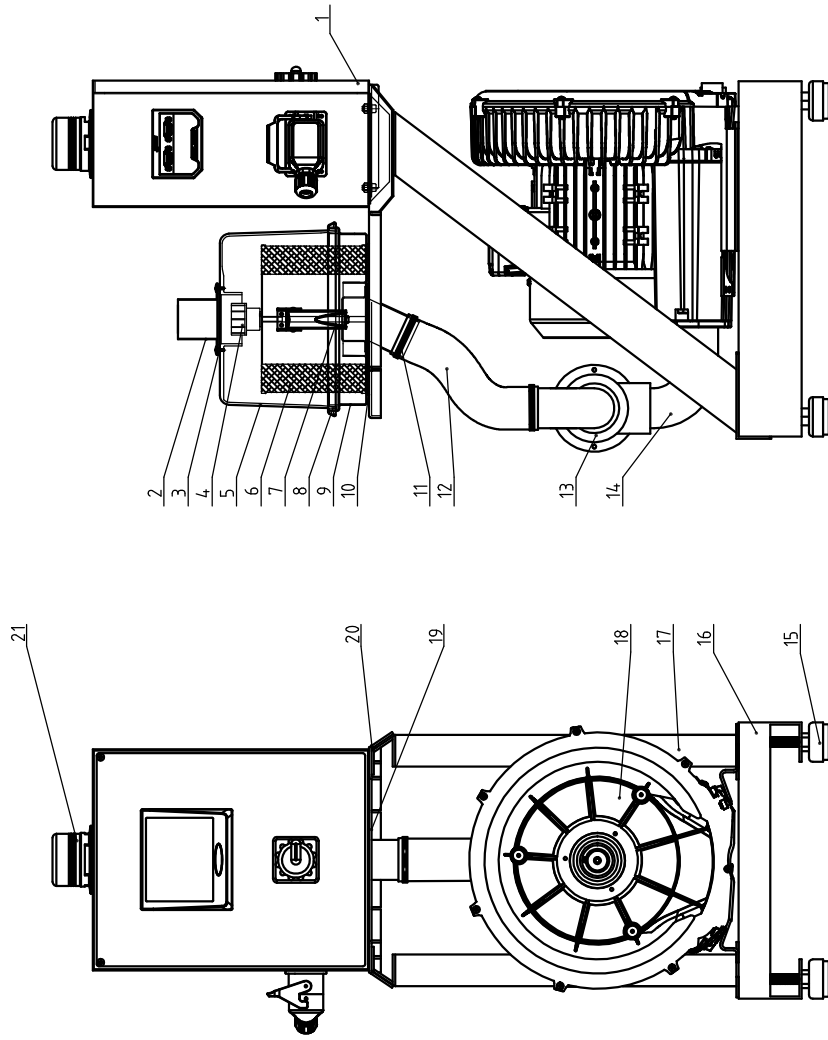


"*"Indicates the items that may be damaged; "** *" indicates the items that are more likely to be damaged. It is recommended to back them up. Please confirm the version number of the instruction manual before placing an order to purchase spare parts, so as to ensure that the material number of spare parts is consistent with the physical one.

No.	Material number	Name	Mat.	Num	Remarks
15	YW80081800100	L screw connector APL8-01 1/8-φ8(AirTAC)	Assembly	1	
14	YW80010800000	Copper muffler 1/8"(has mould)	Assembly	2	
13	YR20305000000	O rubber seal ring φ30×φ5×	Rubber	1	
12	YW80061800000	Adjustable air pipe connector ASL6-1/8	Assembly	1	
11	YE31322000100	Cylinder MBL32X20U-JX826B*	Assembly	1	
10	YR60000600400	PU air pipe φ6×φ4, blk 200m/roll	PU	0.3M	
9	YW80061800200	L screw connector APL6-01 1/8-φ6(AirTAC)	Assembly	3	
8	YE32421600100	Solenoid valve 4V210-06/AC24V AirTAC*	Assembly	1	
7	BL20380500020	Solenoid valve fixed piece SPDV-38-ALL-05	SPCC2.0	1	
6	BW20001500810	Upper cover SPDV-38-ALL-01 white	YL112	1	
5	YR20258900000	O type seal ring φ89×φ2.5*	Rubber	1	
4	BL90558200040	Diaphragm gasket 4,6x8 2xZ SPDV-38-ALL-04(zinc plated)0.0342KG	SPCC2.0	1	
3	BR10608500040	Diaphragm 60x8.2x5.6(SPDV-38-ALL-03)(rubber)*	Assembly	1	
2	YW64000800100	Non-metal insert hexagon lock nut M8		1	
1	BW20001500910	Lower cover SPDV-38-ALL-02 white	YL112	1	
Material number Name			Mat.	Num	Remarks

Title		Drawing no.		Scale		1:4		Num.		1	
SPDV-38		Vacuum Separator		SPDV-38(for assembly drawings)		Surface req		Mat		Assembly	
SHINI		信易電熱機械股份有限公司 Shini Plastics Technologies, Inc.				Surface req		Mat No			
Mark	Before Mod.	After Mod.	Mod. by	Date	Dra	Ver	App	by	Date		

SAL-3HP-UGP assembly diagram and parts List.



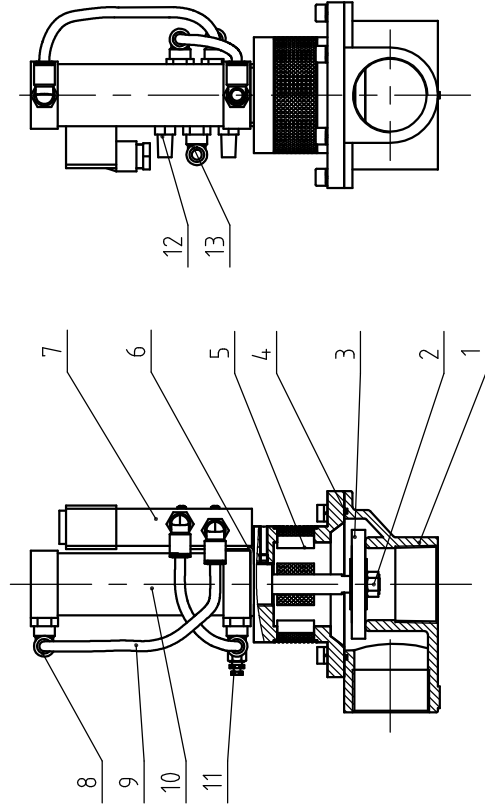
"*"Indicates the items that may be damaged; "**" indicates the items that are more likely to be damaged. It is recommended to back them up. Please confirm the version number of the instruction manual before placing an order to purchase spare parts, so as to ensure that the material number of spare parts is consistent with the physical one.

No.	Material number	Name	Mat.	Num	Remarks
21	BL90000011520	3-color alarm light/red. yel. buzzer/AC/DC24V	Assembly	1	
20		Filter barrel fixed frame	Assembly	1	
19	BL50135000020	Wire fixture fixed plate PG13.5	SPPC2.0	1	
18	BX30053000050	Shini blower RB-430 small 3P/185W*	Assembly	1	
17		Column		1	
16		Base		1	
15	YW03005000000	Foot padφ50	Rubber	4	
14		Inlet pipe		1	
13	BY20003800200	Vacuum breaking valve SVBY-38	Assembly	1	2A,VAC
12	YR60500700100	Steel wire outer ring for base 110-051-011 wire dia.DMS1	Assembly	0.7m	
11	YW020065000100	Steel wire clamp 65mm	SUS201	2	
10	YR10080000000	Fastener SAL-810G-A-04(rubber/blk.)*	Rubber	1	
9		Filter barrel cover		1	
8	YR10080000300	Filter barrel fastener SAL-810G-A-03*	Rubber	1	
7	YW02003000400	Snap hook SAL-6U-A-35*	Assembly	2	
6	YR507080000100	Filter 189×115×125*	Assembly	1	
5	YL22081000000	PC filter barrel SAL-810G-A-05(ver.01has mould)*	PC	1	
4	YW09675100000	Small star nut 5/16		1	
3	YR10243600000	Suction pipe round fastener SAL-244/360*	Rubber	1	
2		Filter barrel suction port	SUS201	1	
1		Control box assembly		1	

Title		Drawing no.		Scale		Surface req.	
SAL-3HP-UGP		SAL-3HP-UGP		1:6		Mat. No. 1	
Vacuum Powder Loader		(for assembly drawings)		⊗		Mat. Assembly	
Mark:		Before Mod.	After Mod.	Mod. by	Date	App.	Date



Attached:SVBV-38 assembly diagram and parts List(BY20003800200).



“*”Indicates the items that may be damaged; “**” indicates the items that are more likely to be damaged.
 It is recommended to back them up.
 Please confirm the version number of the instruction manual before placing an order to purchase spare parts, so as to ensure that the material number of spare parts is consistent with the physical one.

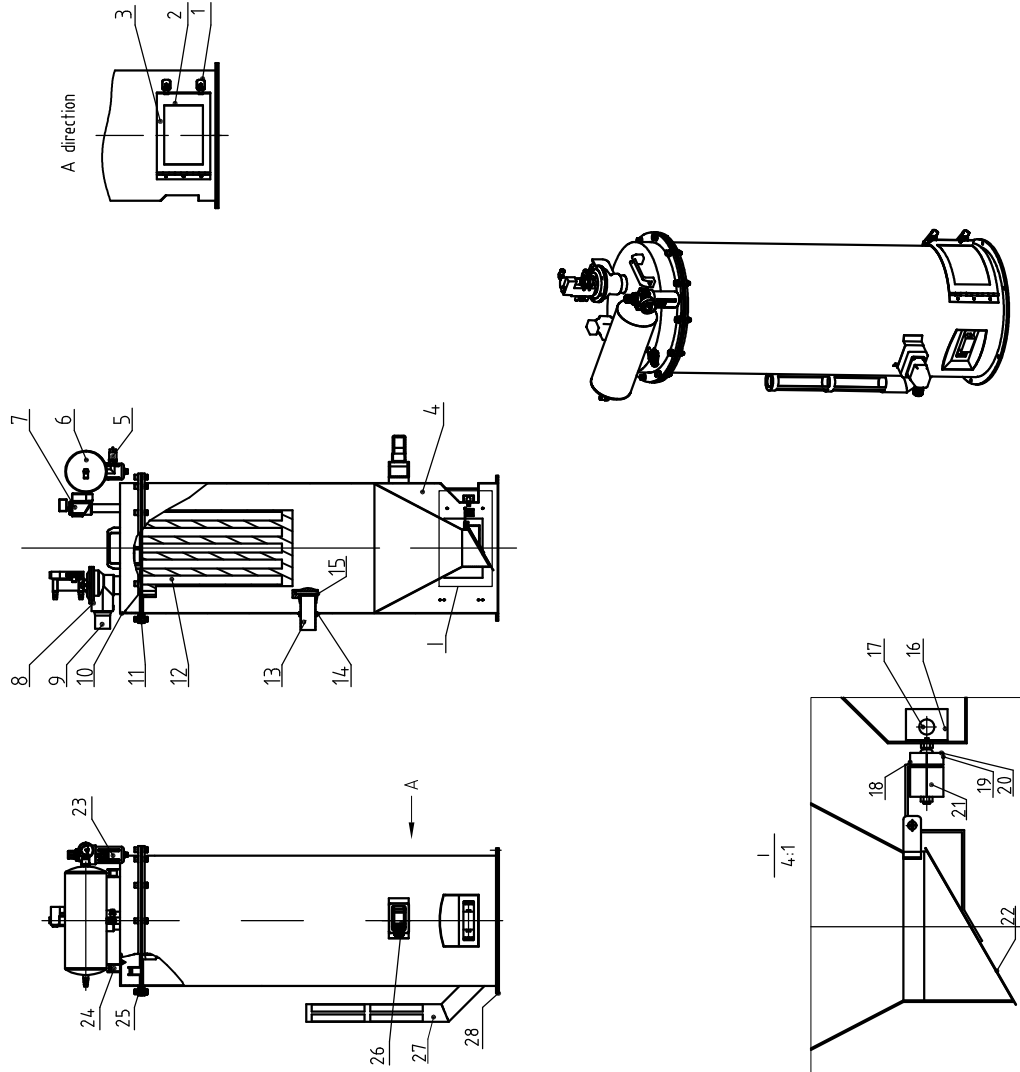
13	YW80081800100	L screw connector APL8-01 1/8-φ8(AirTAC)	Assembly	1	
12	YW80010800000	Copper muffler 1/8"(has mould)	Assembly	2	
11	YW8000618000000	Adjustable air pipe connector ASL6-1/8	Assembly	1	
10	YE31326000100	Cylinder MBL32x60U (AirTAC)*	Assembly	1	
9	YR60000600400	PU air pipe φ6 blk. 200m/roll	PU	0.3m	
8	YW8000618002000	L screw connector APL6-01 1/8-φ6	Assembly	3	
7	YE32421600100	Solenoid valve 4V210-06/DC24V AirTAC*	Assembly	1	
6	BL20380500020	Solenoid valve fixed piece SPDV-38-ALL-05	SPCC2.0	1	
5	BW20380100010	Upper cover SVBV-38-ALL-01	Assembly	1	
4	YR2025890000000	O type seal ring φ89xφ2.5*	Rubber	1	
3	BR10651200040	4-way valve diaφ32mm 65x12x8mm covered (has mould)*	Assembly	1	
2		Hex. nut M10x125		1	With cylinder
1	BW20001500910	Lower cover SPDV-38-ALL-02 white	YL112	1	
No.	Material number	Name	Mat.	Num	Remarks
Title SVBV-38		Drawing no.	Scale 1:4	No. 1	
Vacuum Breaking Separator		SVBV-38(for assembly drawing)		Mat	Assembly
			Surface req		
			Mat No.		



信易電熱機械股份有限公司
 Shini Plastics Technologies, Inc.

Mark	Before Mod.	After Mod.	Mod. by	Date
			App.	Date
			Check	Date
			Desi.	Date
			Dra	Date
			Ver	Date

SHR-P-60U-3 assembly diagram and parts List.



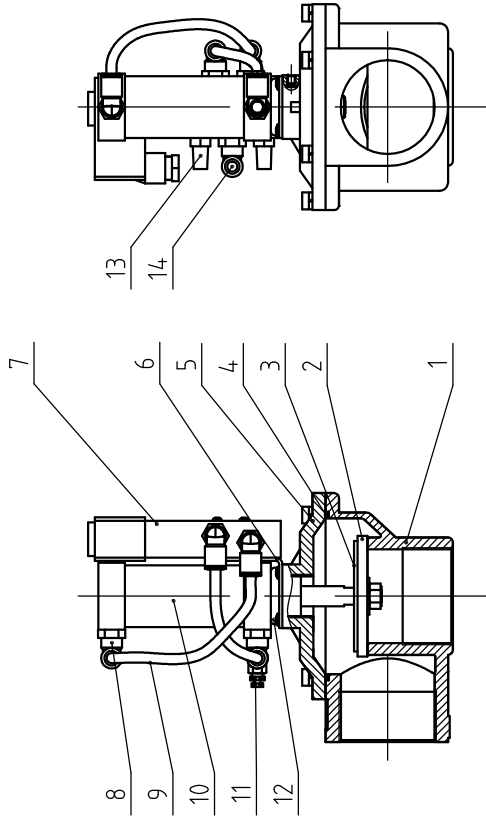
“*” indicates the items that may be damaged, “**” indicates the items that are more likely to be damaged. It is recommended to back them up. Please confirm the version number of the instruction manual before placing an order to purchase spare parts, so as to ensure that the material number of spare parts is consistent with the physical one.

No.	Material number	Name	Mat.	Qty	Remarks
28		Filter barrel fastener*	1	EVA3.0	
27	BP82774800044	Filter bag $\phi 77 \times 4.80 \text{mm}^*$	1		
26	YR40010000200	Anti-water junction box WDHR-100 plastic	1	Plastics	
25	YR10010000200	Cover fastener SHD-300*	2	Silical gel	
24	BW2002000040	Square Alu. handle 120L (M6 hole) blk.	4		
23	YE3020020000	Filter & pressure regulating valve AFR-2000*	1		
22		Discharge plate*	1	SUS201	
21	BH1060300010	Clump weight SHR-P-300-A-3(H58)	1		
20	BH12000600010	Magnet sleeve SAL-6U-19	1		
19	BL21000600120	Magnet cover SAL-6U-07	1		
18	YW90257700000	Permanent magnet $\phi 25 \times \phi 7 \times 7$	1		
17	YE15123000400	Reed switch BMZ-30BLA/180mm 24V*	1		
16		Sensor shell	1	SUS201	
15		Inlet pipe fastener*	1	Silical gel	
14		2" Backstop*	1		
13		Inlet pipe*	1		
12	YR50450500000	Filter HSL-450/5 PE plate*	3		
11		Filter flange	1	SUS201	
10		Filter barrel cover	1	SUS201	
9		Suction part connector	1	SUS201	
8	BY20005002450	Vacuum breaking valve SPDV-502Z(VAC)	1		
7	YE30001501100	Diaphragm valve RMF-Z-15(KG/2"/24VAC)	1		
6		Air accumulator	1	SUS201	
5	YW50041000000	Copper ball valve 1/2"PT	1		
4		Filter barrel	1	SUS201	
3	YF82050000000	Painted (el) 500G Polyester 100M L x 215 W 0.05M	2		
2		Vent window	1		
1	YW02003000400	Adjustable snap hook SAL-6U-A-35*	2		

Title		SHR-P-60U-3	Drawing no.	SHR-P-60U-3(for assembly drawing)	Scale	1:16	No.	1
Powder Hopper Receiver								
Ver.								
Desi.								
App by								
Date								
Dra.								
App								
Date								
Mod. by								
Date								
After Mod.								
Date								
Before Mod.								
Date								
App								
Date								
Check								
Desi.								
Date								
Ver.								
Title								
SHR-P-60U-3								
Powder Hopper Receiver								
Drawing no.								
SHR-P-60U-3(for assembly drawing)								
Scale								
1:16								
No.								
1								
Remarks								

SHINI 信易電熱線股份有限公司
Shini Plastics Technologies, Inc.

Surface req. \varnothing Mat. Assembly
Mat. No.



“*”Indicates the items that may be damaged; “**”*” indicates the items that are more likely to be damaged. It is recommended to back them up. Please confirm the version number of the instruction manual before placing an order to purchase spare parts, so as to ensure that the material number of spare parts is consistent with the physical one.

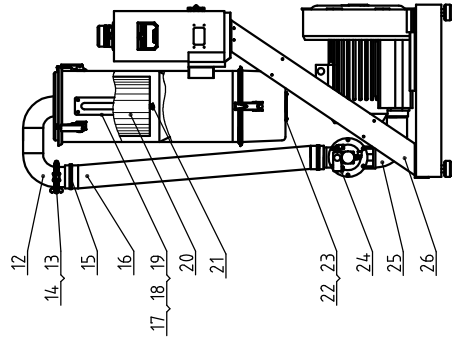
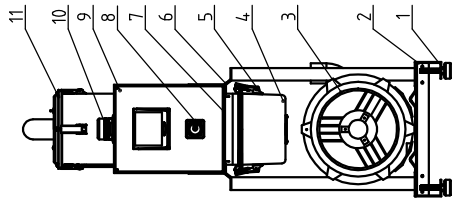
14	YW80081800100	L screw connector APL8-01 1/8-φ8(AirTAC)	Assembly	1	
13	YW80010800000	Copper muffler 1/8"(has mould)	Assembly	2	
12	YR20305000000	O rubber seal ring φ30×φ5*	Rubber	1	
11	YW80061800000	Adjustable air pipe connector ASL6-1/8	Assembly	1	
10	YE31323300000	Cylinder MBL32×33-U-DG259*	Assembly	1	
9	YR60000600400	PU air pipe φ6×φ4, blk 200m/roll	PU	0.3M	
8	YW80061800200	L screw connector APL6-01 1/8-φ6(AirTAC)	Assembly	3	
7	YE32421600100	Solenoid valve V210-06/AC24V AirTAC*	Assembly	1	
6	BL20380500020	Solenoid valve fixed piece SPDV-38-ALL-05	SPCC2.0	1	
5	BW20001501310	Upper cover SPDV-50-ALL-01 white	ZL101	1	
4	YW80081800100	O type seal ring φ89×φ2.5*	Rubber	1	
3	BL90668200040	Diaphragm gasket 56×8.2z(SPDV-50-ALL-04)(zinc plated)0.05KG	SPCC2.0	1	
2	BR10718500040	Diaphragm(covered)72×8.2z×6(SPDV-50-ALL-03)**	Assembly	1	
1	BW20001501210	Lower cover SPDV-50-ALL-02 white	ZL101	1	
No.	Material number	Name	Mat.	Num	Remarks
Title SPDV-50		Drawing no.	Scale 1:4	Num. 1	
Vacuum Separator		SPDV-50(for assembly drawings)		Mat Assembly	
			Surface req		
			Mat No		



信易電熱機械股份有限公司
Shini Plastics Technologies, Inc.

Mark	Before Mod.	After Mod.	Mod. by	Date
			App.	Date
			Check	
			Desi.	App
			Dra	Ver

SHR-5HP-UGP assembly diagram and parts List.



“*”indicates the items that may be damaged; “**” indicates the items that are more likely to be damaged.
It is recommended to back them up.
Please confirm the version number of the instruction manual before placing an order to purchase spare parts, so as to ensure that the material number of spare parts is consistent with the physical one.

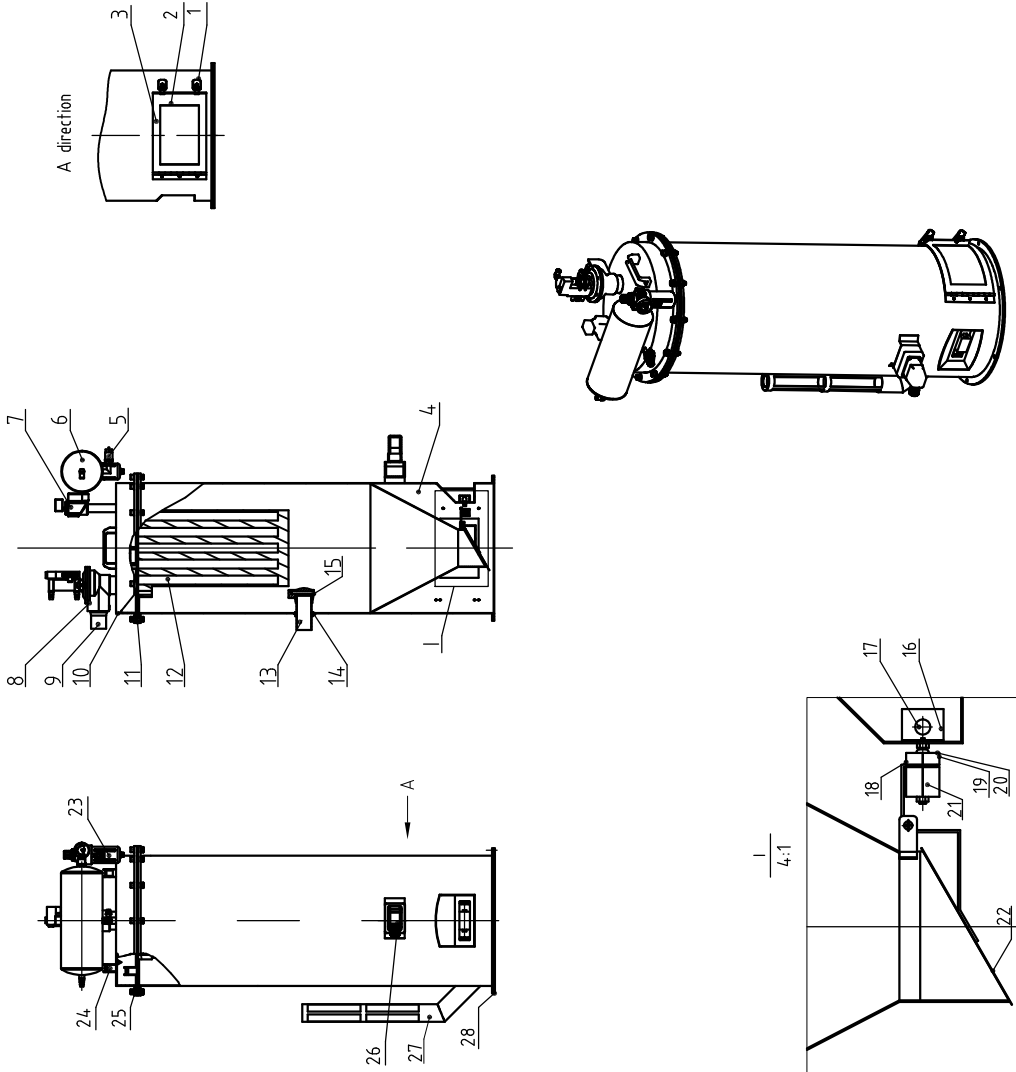
No.	Material number	Name	Material Number	Remarks
26		Column		1
25		Inlet air pipe		1
24	BY20005000200	Vacuum breaking valve S1BY-50(VER.B)	Assembly	1
23	YR10243600000	Suction pipe round fastener SAL-24U/36U*	Rubber	1
22	BL26000500220	PC filter barrel fender	SUS201	1
21	YW69051600000	Butterfly cap nut 5/16"		1
20	YR50181000000	Fine#8C2 rubber fastener(SHP-100H-A-ALL-99)*	Assembly	1
19	BW09000630040	Sight glass iron sheet 6 hole	SPPC2.0	1
18	YR4-00006000000	Sight glass iron sheet 6 hole*	Rubber	1
17	YR4-00012000000	Acrylic 6 hole*	PC	1
16	YR60253000000	Steel wire rubber hose2.5" heat resistant 160℃	Assembly	0.9m
15	YW02000300000	Stainless steel tube bundle 3"152-76mm)	SUS201	2
14	YR20002500300	Stainless steel stamping clamp seal mg2.5"	Silic gel	1
13	YW07002501600	Stainless steel stamping clamp 2.5"	Assembly	1
12		Filter barrel cover assembly		1
11	YR10080000300	Filter barrel fastener SAL-80G-A-03*	Rubber	2
10	BL90000011520	3-color alarm lightred, yel, gre • buzzer/AC/DC2A.	Assembly	1
9	YE10021160000	Control box assembly	Assembly	1
8	YE10021160000	Main power switch	Assembly	1
7	BL50135000020	Line clamp fixed plate PG13.5	SPPC2.0	1
6		Control box support base		1
5	YW02003000400	Adjustable snap hook SAL-6U-A-35*	Assembly	5
4	YL22081000000	PC filter barrel SAL-80G-A-95(ver.0)has mold.	PC	1
3	BW30055000050	Shini blower BB-550/5HP*	Assembly	1
2	BL21003500120	Base	SPPC3.0	1
1	YW03005000000	Rubber for shock absorbers ø50	Rubber	4

Mark	After modification	Before modification	Modified by	Modify date	Checked by	Date

Drawer		Version	
Designer		Approved by	
Proofread		Checked by	
Checked by		Date	

Title		Drawing no.		Proportional	
SAL-5HP-UGP		SAL-5HP-UGP		1:15	
Vacuum Powder Loader				(for assembly drawing)	
		信易電熱機械股份有限公司 Shini Plastics Technologies, Inc.			
Material number		Name		Material Number	
SAL-5HP-UGP		SAL-5HP-UGP		SUS201	

SHR-P-60U-3 assembly diagram and parts List.

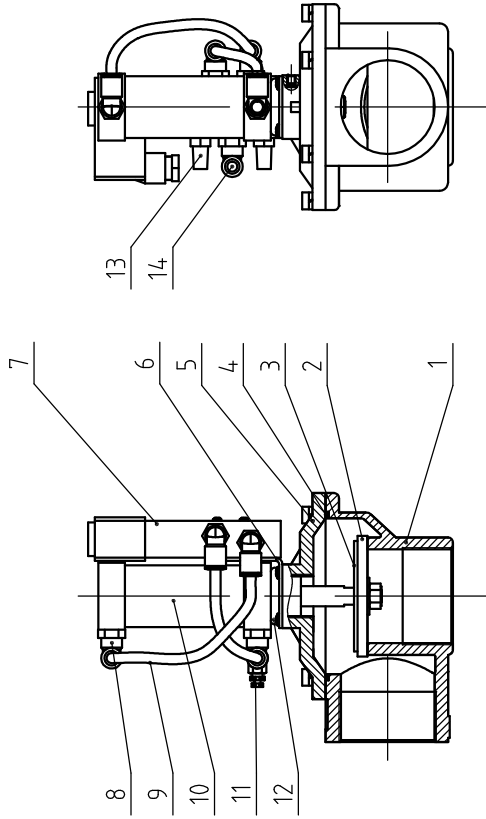


No.	Material number	Name	Scale	Mat.	Qty	Remarks
28		Filter barrel fastener *	1/16	EVA3.0	1	
27	BP82774800044	Filter bag $\phi 77 \times 480 \text{mm}^*$	1/16		1	
26	YR40010000200	Anti-water junction box WDHR-100 plastic	1/16	Plastics	1	
25	YR10010000200	Cover fastener SHD-300*	1/16	Silical gel	2	
24	BW20012000040	Sqaure Alu. handle 120L (M6 hole) blk.	1/16		4	
23	YE30200020000	Filter & peesure regulating valve AFR-2000*	1/16		1	
22		Discharge plate *	1/16	SUS201	1	
21	BH10603001010	Cump weight SHR-P-300-A-3(H58)	1/16		1	
20	BH12000600010	Magnet sleeve SAL-6U-19	1/16		1	
19	BL21000600120	Magnet cover SAL-6U-07	1/16		1	
18	YW90257700000	Permanent magnet $\phi 25 \times \phi 7 \times 7$	1/16		1	
17	YE15123000400	Reed switch BMT-30BLA/180mm 24V*	1/16		1	
16		Sensor shell	1/16	SUS201	1	
15		Inlet pipe fastener *	1/16	Silical gel	1	
14		2" Backstop*	1/16		1	
13		Inlet pipe *	1/16		1	
12	YR50450500000	Filter HSL-450/5 PE plate*	1/16		3	
11		Filter flange	1/16	SUS201	1	
10		Filter barrel cover	1/16	SUS201	1	
9		Suction part connector	1/16	SUS201	1	
8	BY20005002450	Vacuum breaking valve SPV-502(VAC)	1/16		1	
7	YE30001501100	Daphragm valve RMF-Z-15(MG/2"/24VAC)	1/16		1	
6		Air accumulator	1/16	SUS201	1	
5	YW50041000000	Copper ball valve $\frac{1}{2}$ "PT	1/16		1	
4		Filter barrel	1/16	SUS201	1	
3	YR82050000000	Painted rel 500G Polyester 100M L \times 215 W ϕ .05M	1/16		1	
2		Vent window	1/16		1	
1	YW02003000400	Adjustable snap hook SAL-6U-A-35*	1/16		2	

Title		SHR-P-60U-3		Drawing no.		Scale		1/16		No.		1	
Ver.				Dra.									
App by				Desi.									
Date				Check									
Before Mod.				App.									
After Mod.				Mod. by									
Date				Date									
				Mark									
				Surface req.									
				Mat. No.									



Indicates the items that may be damaged, "*" indicates the items that are more likely to be damaged. It is recommended to back them up. Please confirm the version number of the instruction manual before placing an order to purchase spare parts, so as to ensure that the material number of spare parts is consistent with the physical one.



"*"Indicates the items that may be damaged; "*" *"" indicates the items that are more likely to be damaged. It is recommended to back them up. Please confirm the version number of the instruction manual before placing an order to purchase spare parts, so as to ensure that the material number of spare parts is consistent with the physical one.

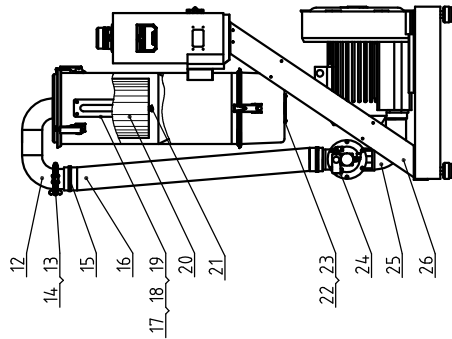
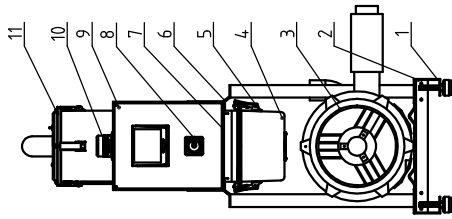
14	YW80081800100	L screw connector APL8-011/8-φ8(AirTAC)	Assembly	1	
13	YW80010800000	Copper muffler1/8"(has mould)	Assembly	2	
12	YR20305000000	O rubber seal ring φ30×φ5*	Rubber	1	
11	YW80061800000	Adjustable air pipe connector ASL6-1/8	Assembly	1	
10	YE31323300000	Cylinder MBL32×33-U-DG25*	Assembly	1	
9	YR60000600400	PU air pipe φ6×φ4, blk 200m/roll	PU	0.3M	
8	YW80061800200	L screw connector APL6-011/8-φ6(AirTAC)	Assembly	3	
7	YE32421600100	Solenoid valve 4V210-06/AC24V AirTAC*	Assembly	1	
6	BL20380500020	Solenoid valve fixed piece SPDV-50-ALL-01	SPCC2.0	1	
5	BW20001501310	Upper cover SPDV-50-ALL-01 white	ZL101	1	
4	YW80081800100	O type seal ring φ98×φ2.5*	Rubber	1	
3	BL90668200040	Diaphragm gasket 56×8.2z(SPDV-50-ALL-04)(zinc plated)0.05KG	SPCC2.0	1	
2	BR10718500040	Diaphragm(covered)72×8.2×6(SPDV-50-ALL-03)*	Assembly	1	
1	BW20001501210	Lower cover SPDV-50-ALL-02 white	ZL101	1	
No.	Material number	Name	Mat.	Num	Remarks
	Drawing no.	Scale	1:4	Num.	1
	SPDV-50	SPDV-50(for assembly drawings)		Mat	Assembly
	Vacuum Separator		Surface req		
			Mat No		



信易電熱機械股份有限公司
Shini Plastics Technologies, Inc.

Mark	Before	Mod.	After	Mod.	Date	App.	by	Date	Ver	Title	Dra	Desi.	Check	App.	Date
										Vacuum Separator					

SHR-5HP-UGP-D assembly diagram and parts List.



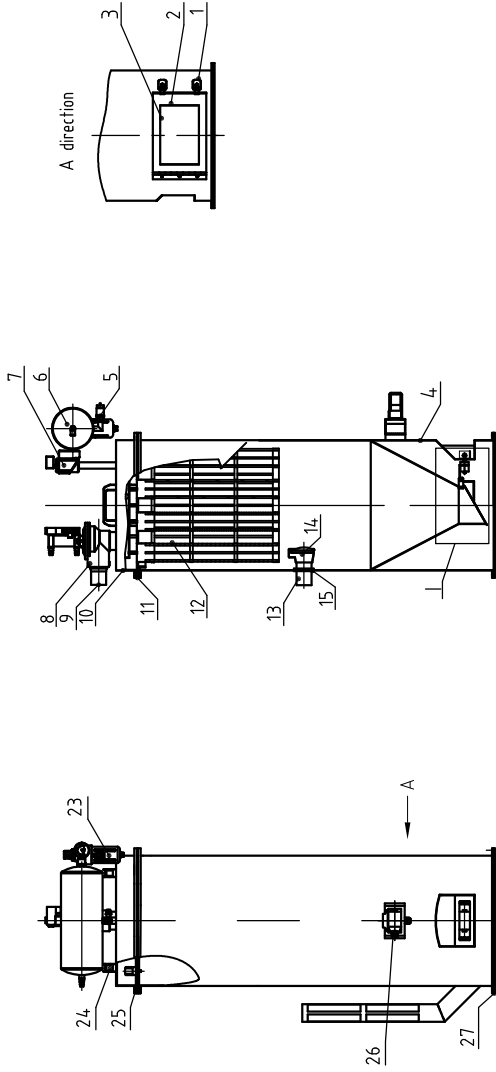
"*"Indicates the items that may be damaged; "***" indicates the items that are more likely to be damaged.
 It is recommended to back them up.
 Please confirm the version number of the instruction manual before placing an order to purchase spare parts,
 so as to ensure that the material number of spare parts is consistent with the physical one.

No.	Material number	Name	Material Number	Remarks
26		Column	1	
25		Inlet air pipe	1	
24	BY20005000200	Vacuum breaking valve SVBY-50(VER.B)	Assembly	24 VAC
23	YR10243600000	Suction pipe round fastener SAL-24U/36U*	Rubber	1
22	BL26000500220	PC filter barrel fender	SUS201	1
21	YW69051600000	Butterfly cap nut 5/16"		1
20	YR50181000000	Flite48C2 rubber feet(SP-100H-A-ALL-09)	Assembly	1
19	BW09000630040	Sight glass iron sheet 6 hole	SPCC2.0	1
18	YR40000600000	Sight glass iron sheet 6 hole*	Rubber	1
17	YR40002000000	Acrylic 6 hole*	PC	1
16	YR60253000000	Steel wire rubber hose2.5" heat resistant 160℃	Assembly	0.9m
15	YW02000300000	Stainless steel tube bundle 3"152-76mm)	SUS201	2
14	YR20002500300	Stainless steel stamping clamp seal ring2.5"	Silic gel	1
13	YW07002501600	Stainless steel stamping clamp 2.5"	Assembly	1
12		Filter barrel cover assembly	1	
11	YR10080000300	Filter barrel fastener SAL-810G-A-03*	Rubber	2
10	BL90000011520	3-color aluminum flid. yel. gre. + bronze/AC/DC24.	Assembly	1
9		Central box assembly	1	
8	YE10021160000	Main power switch	Assembly	1
7	BL50135000020	Line clamp fixed plate PG3.5	SPCC2.0	1
6		Central box support base	1	
5	YW02003000400	Adjustable snap hook SAL-6U-A-35*	Assembly	5
4	YL22081000000	PC filter barrel SAL-810G-A-05(ver.01has mould)	PC	1
3	YM30433700000	Shanghai blower EHS-4337 double stage*	Assembly	1
2	BL21003500120	Base	SPCC3.0	1
1	YW03005000000	Rubber for shock absorbers, ø50	Rubber	4

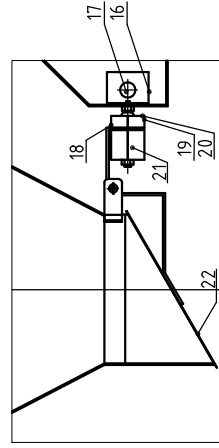
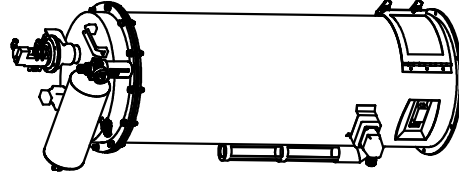
Title SAL-5HP-UGP-D		Drawing no. SAL-5HP-UGP-D		Material Number	
Vacuum Powder Loader		(for assembly drawing)		1:15	
Version		Approved by		Material requirement	
Designer				Surface	
Proofread by				Material	
Checked by				Material number	
Modify date				Material number	
Mark	After modification	Before modification	Modified by		



SHR-P-60U assembly diagram and parts List.



No.	Material number	Name	Mat	Num	Remarks
27	YR10010000200	Filter barrel fastener*	1	EVA3.0	
26	YR10010002000	Anti-water junction box WD#-100 plastic (white)	1		
25	YR10010020000	Cover fastener SHD-100*	2		
24	BW20012000040	Square Alu. handle 120L (M6 hole) blk.*	4		
23	YE30200020000	Filter & pressure regulating valve AFR-2000*	1	SUS201	
22		Discharge plate *	1	SUS201	
21		Clump weight	1	H58	
20	BH12000600010	Magnet sleeve SAL-6U-19	1		
19	BL21000600120	Magnet cover SAL-6U-07	1		
18	YW90257700000	Permanent magnet $\phi 25 \times \phi 7 \times 7$	1		
17	YE15123000400	Reed switch BM12-30BL/A (1.80mm 24V*)	1	SUS201	
16		Sensor shell	1	SUS201	
15		Inlet pipe fastener *	1	Silical gel	
14		2" Backstop	1		
13		Inlet pipe *	1		
12	BP82774800044	Filter bag*	11		
11		Filter flange	1	SUS201	
10		Filter barrel cover	1	SUS201	
9		Suction pipe connector	1	SUS201	
8	BY20005002450	Vacuum breaking valve SPDV-50(24VAC)	1		
7	YE30001501100	Diaphragm valve RMF-Z-15M (G1/2"/24VAC)*	1		
6		Air accumulator	1	SUS201	
5	YW50041000000	Butterfly ball valve 1/2"PT copper	1		
4		Filter barrel assembly	1		
3	YP82050000000	Pincher felt 500G Polyester 100ML x 21.5 W 0.05M	1	SUS201	
2	YW02003000400	Vent window	2		
1	YW02003000400	Adjustable snap hook SAL-6U-A-35*	2		



"**"indicates the items that may be damaged; "***" indicates the items that are more likely to be damaged.
It is recommended to back them up.
Please confirm the version number of the instruction manual before placing an order to purchase spare parts, so as to ensure that the material number of spare parts is consistent with the physical one.

Ver.	Dra.	App. by	Date	Mod. by	Date	Mark	Before Mod.	After Mod.	Mod. by	Date	App.	Date

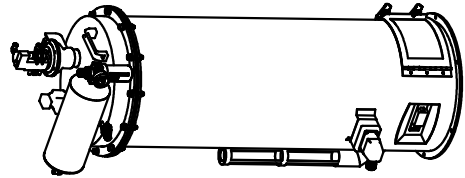
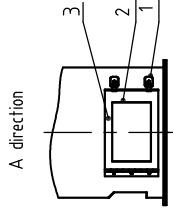
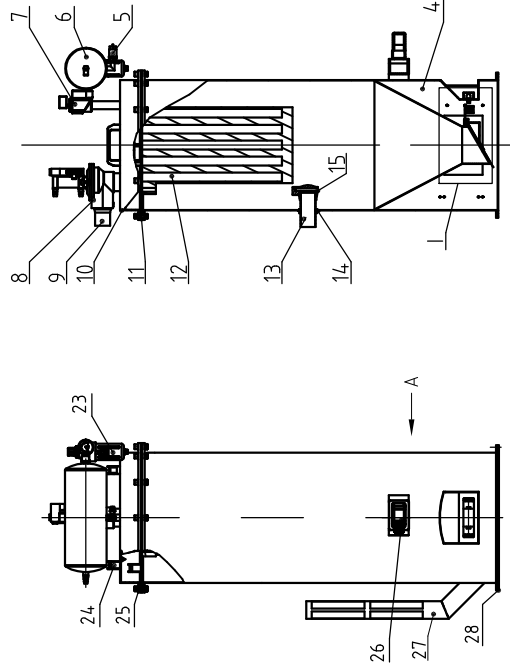
Title	SHR-P-60U	Drawing no.	SHR-P-60U (for assembly drawing)	Scale	1:16	No.	1

Surface req.	Mat.	Assembly

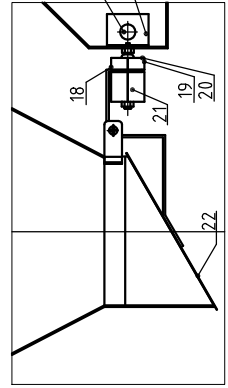
Surface req.	Mat.	No.

SHINI
信易電熱線股份有限公司
Shini Plastics Technologies, Inc.

SHR-P-60U-3 assembly diagram and parts List.



4:1



28	Filter barrel fastener *	1	EVA3.0			
27	Filter bag $\phi 77 \times 4.80 \text{mm}^*$	1				
26	Anti-water junction box WDJH-100 plastic	1	Plastics			
25	Cover fastener SHD-300*	2	Silical gel			
24	Square Alu. handle 120L (M6 hole) blk.	4				
23	YE30200020000 Filter & pressure regulating valve AFR-2000*	1				
22	Discharge plate *	1	SUS201			
21	Clump weight SHR-P-30U-A-3(H58)	1				
20	Magnet sleeve SAL-6U-19	1				
19	Magnet cover SAL-6U-07	1				
18	Permanent magnet $\phi 25 \times \phi 7 \times 7$	1				
17	Reed switch BMZ-30BLA/180mm 24V*	1				
16	Sensor shell	1	SUS201			
15	Inlet pipe fastener *	1	Silical gel			
14	2" Backstop*	1				
13	Inlet pipe *	1				
12	YF504-50500000 Filter HSL-450/5 PE plate*	3				
11	Filter flange	1	SUS201			
10	Filter barrel cover	1	SUS201			
9	Suction part connector	1	SUS201			
8	Vacuum breaking valve SPDV-502(VAC)	1				
7	Diaphragm valve RHF-Z-15(KG/2"/24VAC)	1				
6	Air accumulator	1	SUS201			
5	Copper ball valve $\frac{1}{2}$ "PT	1				
4	Filter barrel	1	SUS201			
3	Panthered 500G Polyester 100M L x 2.15 W 0.05M	2				
2	Vent window	1				
1	Adjustable snap hook SAL-6U-A-35*	2				
No.	Material number	Name	Scale	1:16	No.	1

SHR-P-60U-3 Drawing no. SHR-P-60U-3(for assembly drawing)

Powder Hopper Receiver

Mark	Before Mod.	After Mod.	Mod. by	Date	App.	Date	Ver.

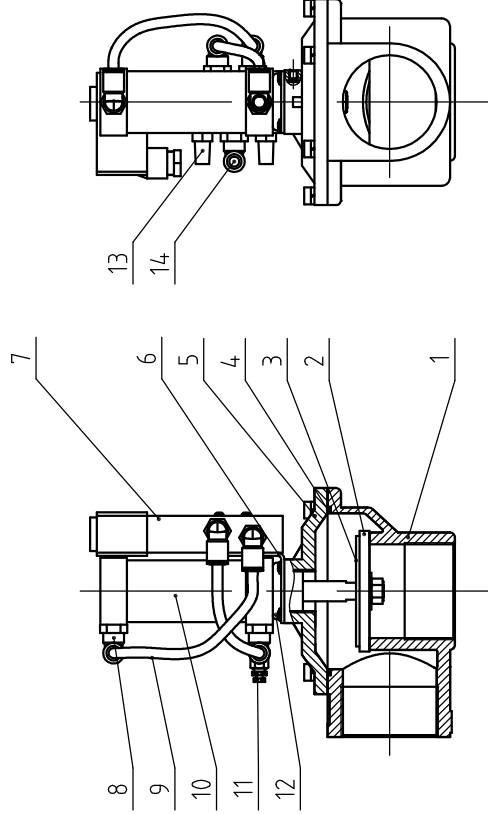
Surface req. Mat. No.

Scale: 1:16 No. 1

Mat. Assembly

SHINI 信易電熱機股份有限公司
Shini Plastics Technologies, Inc.

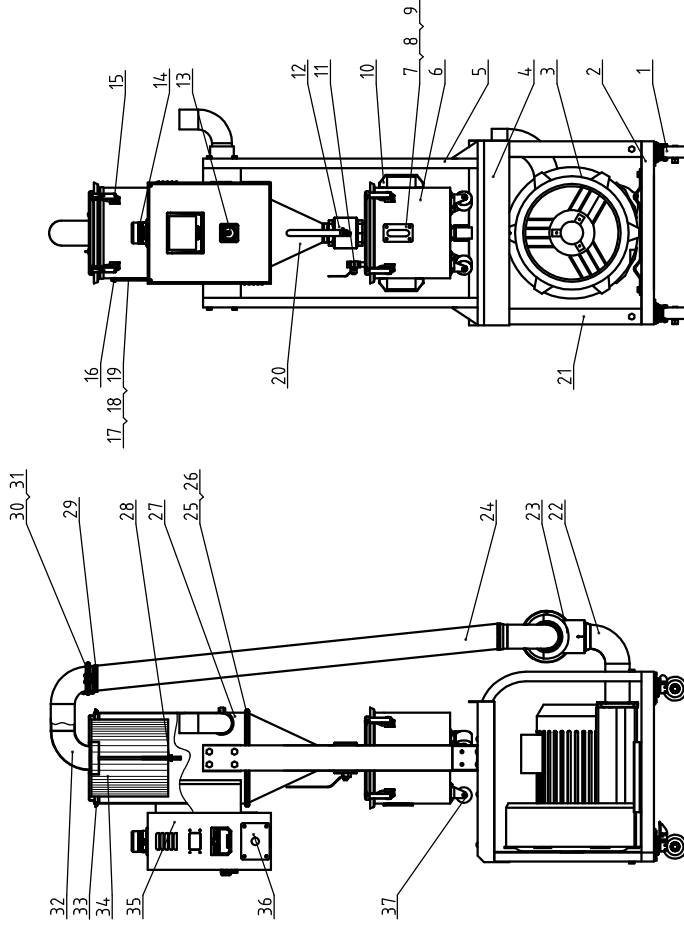
* ** Indicates the items that may be damaged; "*" indicates the items that are more likely to be damaged; " **" indicates the items that are more likely to be damaged. It is recommended to back them up.
Please confirm the version number of the instruction manual before placing an order to purchase spare parts, so as to ensure that the material number of spare parts is consistent with the physical one.



“*”Indicates the items that may be damaged; “**”*” indicates the items that are more likely to be damaged. It is recommended to back them up. Please confirm the version number of the instruction manual before placing an order to purchase spare parts, so as to ensure that the material number of spare parts is consistent with the physical one.

14	YW80081800100	L screw connector APL8-011/8-φ8(AirTAC)	Assembly	1	
13	YW80010800000	Copper muffler1/8"(has mould)	Assembly	2	
12	YR20305000000	O rubber seal ring φ30×φ5*	Rubber	1	
11	YW80061800000	Adjustable air pipe connector ASL6-1/8	Assembly	1	
10	YE31323300000	Cylinder MBL32×33-U-DG25*	Assembly	1	
9	YR60000600400	PU air pipe φ6×φ4, blk 200m/roll	PU	0.3M	
8	YW80061800200	L screw connector APL6-011/8-φ6(AirTAC)	Assembly	3	
7	YE32421600100	Solenoid valve 4V210-06/AC24V AirTAC*	Assembly	1	
6	BL20380500020	Solenoid valve fixed piece SPDV-50-ALL-01	SPCC2.0	1	
5	BW20001501310	Upper cover SPDV-50-ALL-01 white	ZL101	1	
4	YW80081800100	O type seal ring φ98×φ2.5*	Rubber	1	
3	BL90668200040	Diaphragm gasket 56×8.2(SPDV-50-ALL-04)(zinc plated)(0.05KG)	SPCC2.0	1	
2	BR10718500040	Diaphragm (covered)72×8.2×6(SPDV-50-ALL-03)*	Assembly	1	
1	BW20001501210	Lower cover SPDV-50-ALL-02 white	ZL101	1	
No.	Material number	Name	Mat.	Num	Remarks
Drawing no.		Scale	1:4	Num.	1
SPDV-50		SPDV-50(for assembly drawings)		Mat	Assembly
Vacuum Separator		Surface req		Mat No	
		 信易電熱機械股份有限公司 Shini Plastics Technologies, Inc.			
Mark	Before Mod.	After Mod.	Mod. by	Date	
			App by	Date	
			App.	Date	

SHR-10HP-UGP assembly diagram and parts List.



“*”Indicates the items that may be damaged; “**” indicates the items that are more likely to be damaged. It is recommended to back them up. Please confirm the version number of the instruction manual before placing an order to purchase spare parts, so as to ensure that the material number of spare parts is consistent with the physical one.

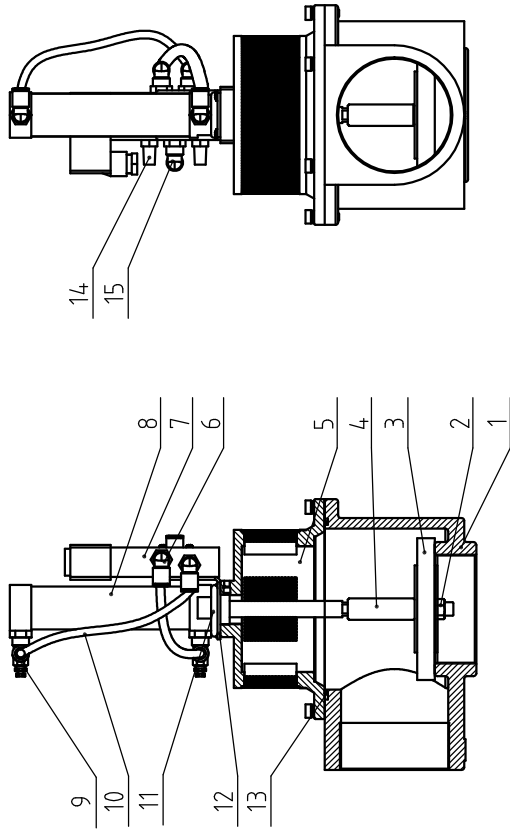
37	YW03000200000	Black castor 2"	Assembly	3
36	BL50160000120	Wire clamp fixed plate P616 SG-S-01 (has mould)	SPCC2.0	2
35		Control box assembly	Rubber	1
34	YR50024400000	Filter ext 2L4+meer 14941250(SAL-10HP-UG-A-24)*	Assembly	1
33	YR10028700000	Filter barrel fastener Φ287 rubber *	Assembly	2
32		Filter barrel cover assembly	Assembly	1
31	YR20000300000	Stainless steel stamping clamp seal ring 3"	Silical gel	1
30	YW07000300300	Stainless steel stamping clamp 3"	SUS304	1
29	YW02003500000	Stainless steel pipe clamp 3.5"	SUS201	2
28	YW69051600000	Butterfly cap nut 5/16"	Q235	1
27	YR10123640000	Stainless steel pipe fastener SAL-120-360(has mould)	IM	1
26		Pipe clamp assembly	Assembly	1
25		Filter barrel (upper)	Assembly	1
24	YR60303000000	Steel wire plastic pipe 3" *1.8m	Assembly	1
23	BY20007600100	Vacuum breaking valve SVBV-7624VAC(IVeBI)	Assembly	1
22		Inlet air pipe	Assembly	1
21		Support bracket	Assembly	1
20		Filter barrel (lower)	Assembly	1
19	BW09000630040	Sight glass iron sheet 6 hole	SPCC2.0	1
18	YR40000600000	Sight glass iron sheet 6 hole*	Rubber	1
17	YR40001700000	Acrylic 6 hole*	PC	1
16	YW64000500000	Hex nut. M5	Assembly	10
15	YW02003000400	Adjustable snap hook SAL-6U-A-35*	Assembly	8
14	BL90000011520	3-color alarm light(red, yel, gre.+ buzzer)AC/DC24.	Assembly	1
13	YE10220300000	Main power switch	Assembly	1
12	YW50020000000	Copper ball valve 2"	Assembly	1
11	YW50041000000	Copper ball valve 1/4." PT	Assembly	1
10	BW20042000040	Alu. square handle L20	YL112	2
9	BW09000300440	Arc 4 hole iron sheet	Assembly	1
8	YR40000400000	Sight glass fastener 4 hole *	Assembly	1
7	YR40001200100	Acrylic 4 hole *	Assembly	1
6		Dust collective hopper	Assembly	1
5		Filter barrel column	Assembly	1
4		Middle plate	Assembly	1
3	BM30081000050	Shini blower RB-850(10HP)*	Assembly	1
2		Base	Assembly	1
1	YW03000300200	Movable universal castor 3"	Assembly	2
	YW03000300000	Brake universal castor 3"	Assembly	2

No.		Material number	Name	Mag.	Number	Remarks
Title		SAL-10HP-UGP		1:15	Number	1
Drawing no.		SAL-10HP-UGP		Material	Material	Assembly
Vacuum Powder Loader		(for assembly drawing)		Surface requirement	Material number	
Version		Approved by				
Designer		Proofread by				
Checked by		Date				
After modification		Before modification				
Mark		Modify date				



信易熱機股份有限公司
Shini Plastics Technologies, Inc.

Attached:SVBV-50 assembly diagram and parts List(BY20007600100).



“*”indicates the items that may be damaged; “***” indicates the items that are more likely to be damaged. It is recommended to back them up.

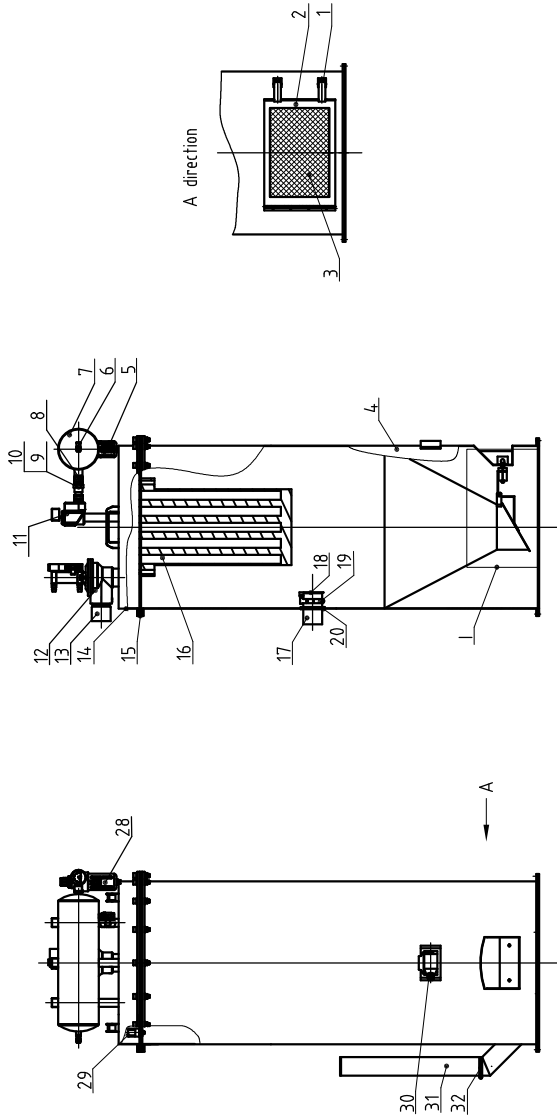
Please confirm the version number of the instruction manual before placing an order to purchase spare parts, so as to ensure that the material number of spare parts is consistent with the physical one.

15	YW80081800100	L screw connector APL8-01 1/8-φ8(AirTAC)	Assembly	1	
14	YW80010800000	Copper muffler 1/8" (has mould)	Assembly	2	
13	YR20013030000	O type seal ring outer dia.φ30 wire dia.3 (Fluororubber)*	Fluororubber	1	
12	BL20380500020	Solenoid valve fixed piece SPDV-38-ALL-05	SPLC2.0	1	
11	YR20305000000	O type seal ring φ30×φ5*	Rubber	1	
10	YR60000600400	PU air pipe φ6 blk. 200m/roll	PU	1M	
9	YW80061800000	Adjustable air pipe connector ASL6-1/8	Assembly	2	
8	YE31258000000	Cylinder MBL25×80-U(AIRTAC)SCSF-300-B-10*	Assembly	1	
7	YE32421600100	Solenoid valve ΔV210-06/DC24V AirTAC*	Assembly	1	
6	YW80061800200	L screw connector APL6-01 1/8-φ6(AirTAC)	Assembly	2	
5		Upper cover	Assembly	1	
4	BH10007600310	Diaphragm fixed screw SVBV-76-ALL-03	SUS304	1	
3	BL90007600040	Diaphragm SVBV-76-ALL-04 outsourcing packed (ver.0)*	Assembly	1	
2	YW64101000000	Hex. nut M10 anti-loose (Thickness: 1mm)		1	
1	BA90760100010	Lower cover SVBV-76-ALL-01	AC4B	1	
No.	Material number	Name	Mat.	Num	Remarks
Title		Drawing no.	Scale		
SVBV-76		SVBV-76(for assembly drawing)	1:5	Num.	1
Vacuum Breaking Separator				Mat.	Assembly
			Surface req.		
			Mat No.		



Mark	Before Mod.	After Mod.	Mod. by	Date	App.	Date
					App. by	Date
					Ver.	

SHR-P-90U-5 assembly diagram and parts List.

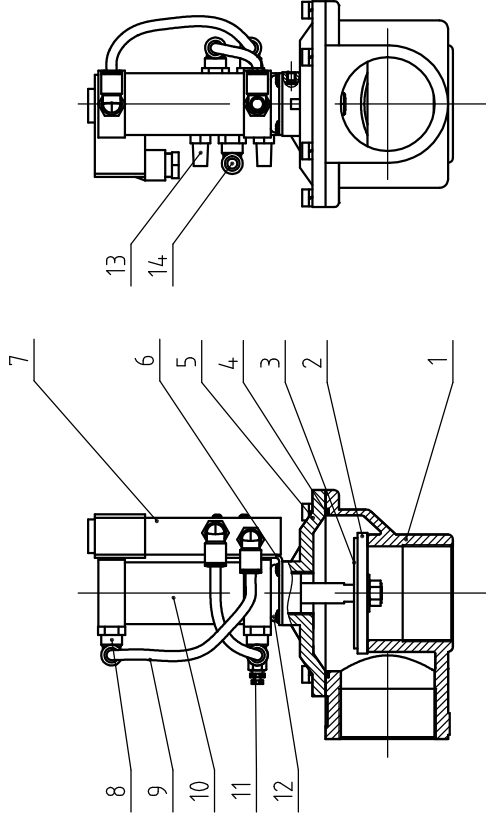


No.	Material number	Name	Mat.	Num	Remarks
32	YW0200300000	Stainless steel pipe clamp 3"		1	
31	BP82774800044	Filter bag φ71×480mm*		1	
30	YW40010000200	Anti-water junction box WDJH-100-		1	
29	BLZ00120000040	Square Alu. handle 120L (H6 hole) blk.		1	
28	YE30202000000	Filter & pressure regulating valve AFR-2000*		1	SUS201
27	YR02003000000	Discharge plate * A-09		1	
25	BH12000600010	Magnet sleeve SAL-6U-19		1	
24	BLZ1000600120	Magnet cover SAL-6U-A-07(SUS201)		1	
23	YW90257700000	Permanent magnet φ25×φ7×7		1	
22	YE15123000400	Reed switch BN12-308LA/180mm 24V*		1	
21		Sensor shell		1	SUS201
20		Inlet pipe fastener*		1	Silical gel
19		2.5" Backstop*		1	Assembly
18		2.5" Backstop non-return piece		1	SUS201
17		Inlet pipe*		1	SUS201
16	YR50450500000	Filter HSL-450/5 PE plate*		5	
15		Filter flange		1	SUS201
14		Filter barrel cover		1	Assembly
13		Suction port connector		1	SUS201
12	BY20005002450	Vacuum breaking valve SPOV-500A/VAC		1	
11	YE30001501100	Diaphragm valve BNF-Z-15HG127/24/VAC		3	
10		Connecting connector		1	Assembly
9	YW54401200300	Stainless steel water pipe joint 1/2" (SUS201)		1	
8	YW80161200000	Screw connector APC16-04		4	
7		Air accumulator		1	Assembly
6	YW80081400100	Quick air pipe connector APLB-1/4		1	
5	YW50041000000	Copper ball valve P-PT		1	SUS201
4		Filter barrel assembly		1	
3	YP82050000000	Punched roll 500G Polyester 100ML x 2.15 W		1	0.05M
2		Vent window		1	SUS201
1	YW02003000400	Adjustable snap hook SAL-6U-A-35*		2	

Title		Drawing no.		Scale	
SHR-P-90U-5		SHR-P-90U-5 (for assembly drawing)		1:16	
Powder Hopper Receiver					
Dra.		Ver.		Mat.	
Desi.		App by		Surf. req.	
Check		Date		Mat. No.	
App.		Date		Mat. No.	
Before Mod.		After Mod.		Remarks	
Mod. by		Date			



* indicates the items that may be damaged; "x" indicates the items that are more likely to be damaged. It is recommended to back them up. Please confirm the version number of the instruction manual before placing an order to purchase spare parts, so as to ensure that the material number of spare parts is consistent with the physical one.



"*"Indicates the items that may be damaged; "** *" indicates the items that are more likely to be damaged. It is recommended to back them up. Please confirm the version number of the instruction manual before placing an order to purchase spare parts, so as to ensure that the material number of spare parts is consistent with the physical one.

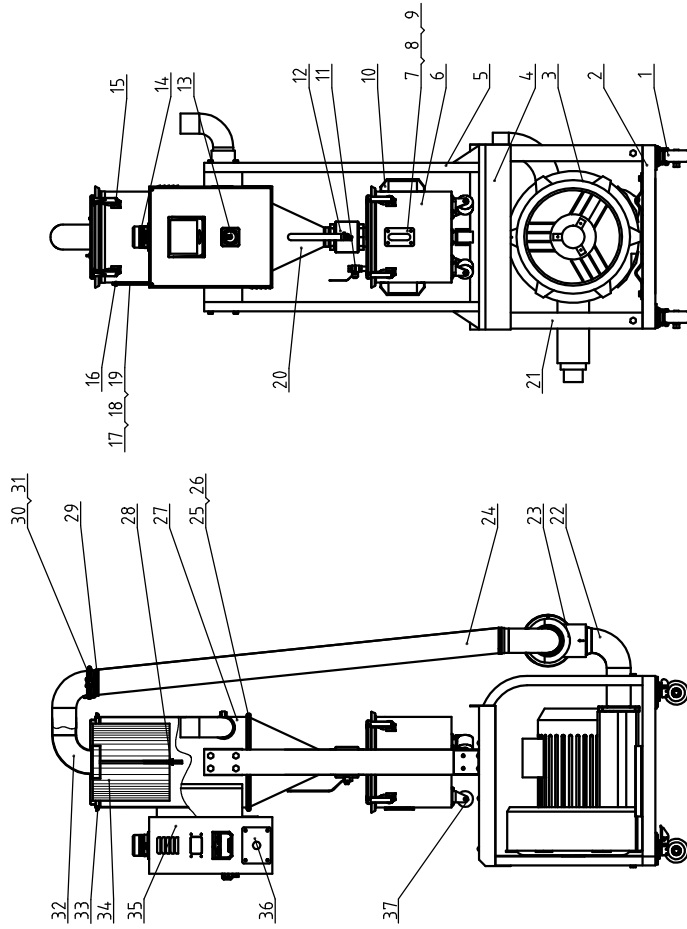
14	YW80081800100	L screw connector APL8-011/8-φ8(AirTAC)	Assembly	1	
13	YW80010800000	Copper muffler1/8"(has mould)	Assembly	2	
12	YR20305000000	O rubber seal ring φ30×φ5*	Rubber	1	
11	YW80061800000	Adjustable air pipe connector ASL6-1/8	Assembly	1	
10	YE31323300000	Cylinder MBL32×33-U-DG25*	Assembly	1	
9	YR60000600400	PU air pipe φ6×φ4, blk 200m/roll	PU	0.3M	
8	YW80061800200	L screw connector APL6-011/8-φ6(AirTAC)	Assembly	3	
7	YE32421600100	Solenoid valve 4V210-06/AC24V AirTAC*	Assembly	1	
6	BL20380500020	Solenoid valve fixed piece SPDV-50-ALL-01	SPCC2.0	1	
5	BW20001501310	Upper cover SPDV-50-ALL-01 white	ZL101	1	
4	YW80081800100	O type seal ring φ98×φ2.5*	Rubber	1	
3	BL90668200040	Diaphragm gasket 56×8.2(SP DV-50-ALL-04)(zinc plated)0.05KG	SPCC2.0	1	
2	BR10718500040	Diaphragm (covered)72×8.2×6(SP DV-50-ALL-03)*	Assembly	1	
1	BW20001501210	Lower cover SPDV-50-ALL-02 white	ZL101	1	
No.	Material number	Name	Mat.	Num	Remarks
	SPDV-50	Drawing no.	Scale	1:4	Num. 1
	Vacuum Separator	SPDV-50(for assembly drawings)			Mat Assembly
			Surface req		
			Mat No		



信易電熱機械股份有限公司
Shini Plastics Technologies, Inc.

Title	SPDV-50	Ver	
Vacuum Separator		App	
Check		by	
App.		Date	
Mark Before Mod.	After Mod.	Mod. by	Date

SHR-10HP-UGP-D assembly diagram and parts List.



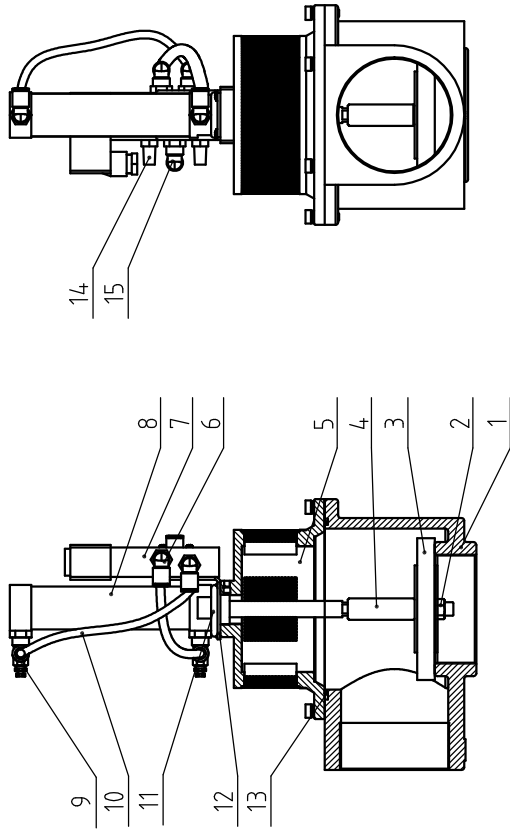
37	YW03000200000	Black castor 2"	Assembly	3
36	BL50160000120	wire clamp fixed plate P616 SG-S-01 (has mould)	SPCC2.0	2
35		Central box assembly	Assembly	1
34	YP50024400000	Filter ext 2x4-smer 149x4 250(SAL-10HP-UG-A-24)*	Rubber	2
33	YR10028700000	Filter barrel fastener Φ287 rubber *	Assembly	1
32		Filter barrel cover assembly	Silical gel	1
31	YR20000300000	Stainless steel stamping clamp seal ring 3"	SUS304	1
30	YW07000300300	Stainless steel stamping clamp 3"	SUS201	2
29	YW02003500000	Stainless steel pipe clamp 3.5"	Q235	1
28	YW69051600000	Butterfly cap nut 5/16"	IM	1
27	YR10123640000	Stainless steel pipe clamp fastener SAL-101-360 (has mould)*		1
26		Pipe clamp assembly		1
25		Filter barrel (upper)	Assembly	1
24	YR60303000000	Steel wire hose 3"x1.8m	Assembly	1
23	BY20007600100	Vacuum breaking valve SVBV-76 (2xVACIVER.B)	Assembly	1
22		Inlet air pipe		1
21		Support frame		1
20		Filter barrel		1
19	BW09000630040	Sight glass iron sheet 6 hole	SPCC2.0	1
18	YR40000600000	Sight glass iron sheet 6 hole*	Rubber	1
17	YR40001200000	Acrylic 6 hole*	PC	10
16	YW64000500000	Hex. nut M5	Assembly	8
15	YW02003000400	Adjustable snap hook SAL-6U-A-35*	Assembly	1
14	BL90000011520	3-color alarm light(red, yel, gre.* buzzer)AC/DC24*	Assembly	1
13	YE10220300000	Main power switch	Assembly	1
12	YW50020000000	Copper ball valve 2"	Assembly	1
11	YW50041000000	Copper ball valve 1/4" PT	Assembly	1
10	BW20012000040	Alu. square handle L20	YL112	2
9	BW09000030040	Arc 4 hole iron sheet		1
8	YR40000400000	Sight glass fastener 4 hole*		1
7	YR40001200100	Acrylic 4 hole*		1
6		Dust collective hopper		1
5		Filter barrel column		1
4		Middle plate		1
3	YM30637500000	Shenghong blower EHS-6375 double-stage 3 phase*	Assembly	1
2		Base		1
1	YW03000300200	Free universal castor 3"	Assembly	2
	YW03000300000	Brake universal castor 3"	Assembly	2

Title SAL-10HP-UGP-D		Drawing no.	
Vacuum Powder Loader		SAL-10HP-UGP-D (装配图)	
Drawer	Version	Proportion	Remarks
Designer	Approved by	1:15	Number 1
Proofread by			Material Assembly
Checked by	Date		Surface requirement
Modify date			Material number
Mark	After modification		
	Before modification		
	Modified by		
	Modify date		



"*"Indicates the items that may be damaged; "***" indicates the items that are more likely to be damaged. It is recommended to back them up. Please confirm the version number of the instruction manual before placing an order to purchase spare parts, so as to ensure that the material number of spare parts is consistent with the physical one.

Attached:SVBV-76 assembly diagram and parts List(BY20007600100).



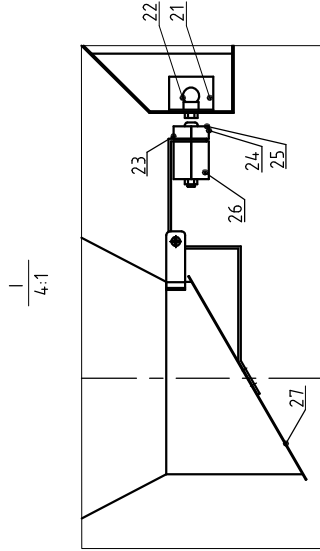
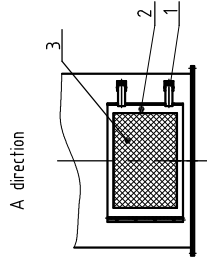
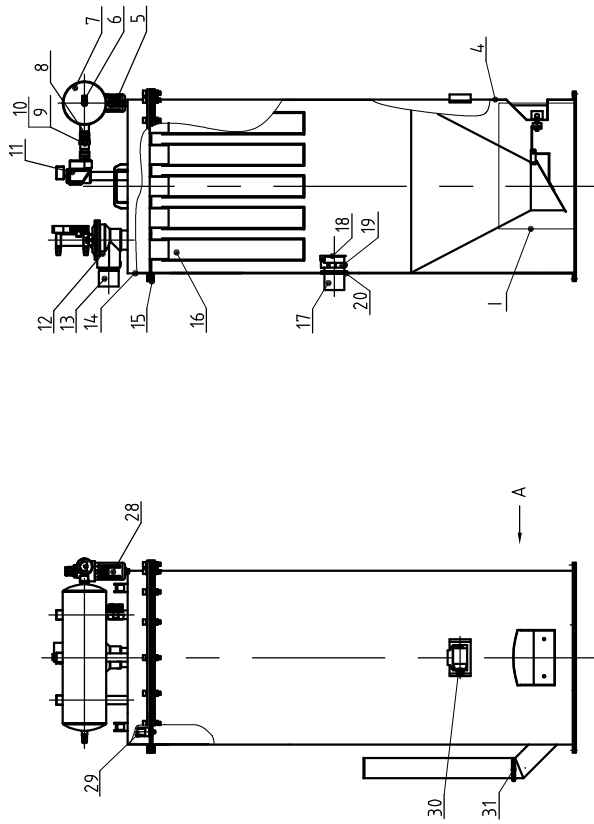
“*”Indicates the items that may be damaged; “***” indicates the items that are more likely to be damaged. It is recommended to back them up. Please confirm the version number of the instruction manual before placing an order to purchase spare parts, so as to ensure that the material number of spare parts is consistent with the physical one.

15	YW80081800100	L screw connector APL6-01 1/8-φ8(AirTAC)	Assembly	1	
14	YW80010800000	Copper muffler 1/8" (has mould)	Assembly	2	
13	YR20013030000	O type seal ring outer dia.130 wire dia.3 (Fluororubber)	Fluororubber	1	
12	BL20380500020	Solenoid valve fixed piece SPDV-38-ALL-05	SPLC2.0	1	
11	YR20305000000	O type seal ring φ30×φ5*	Rubber	1	
10	YR60000600400	PU air pipe φ6 blk. 200m/roll	PU	1M	
9	YW80061800000	Adjustable air pipe connector ASL6-1/8	Assembly	2	
8	YE31258000000	Cylinder MBLZ5×80-U(AIRTAC)SCSF-300-B-10*	Assembly	1	
7	YE32421600100	Solenoid valve ΔV210-06/DC24V AirTAC*	Assembly	1	
6	YW80061800200	L screw connector APL6-01 1/8-φ6(AirTAC)	Assembly	2	
5		Upper cover	Assembly	1	
4	BH10007600310	Diaphragm fixed screw SVBV-76-ALL-03	SUS304	1	
3	BL90007600040	Diaphragm SVBV-76-ALL-04 outsourcing packed (ver.0)*	Assembly	1	
2	YW64101100000	Hex. nut M10 anti-loose (Thickness: 1mm)		1	
1	BA90760100010	Lower cover SVBV-76-ALL-01	AC4B	1	

No.	Material number	Name	Mat.	Num	Remarks
Title		SVBV-76	Drawing no.		
Vacuum Breaking Separator		SVBV-76(for assembly drawing)			
Scale		1:5			
Surface req.		Mat.			
Mat No.					
Mark	Before Mod.	After Mod.	Mod. by	Date	
			App. by	Date	
			Check	Date	
			Desi.	Date	
			Dra	Date	
			Ver.	Date	

SHINI 信易電熱機械股份有限公司
Shini Plastics Technologies, Inc.

SHR-P-90U assembly diagram and parts List.



** indicates the items that may be damaged; "***" indicates the items that are more likely to be damaged. It is recommended to back them up. Please confirm the version number of the instruction manual before placing an order to purchase spare parts, so as to ensure that the material number of spare parts is consistent with the physical one.

31	YW02000300000	Stainless steel pipe clamp 3"		1
30	YR40010000200	Anti-water junction box WDJH-100*		1
29	BW20012000040	Square Alu. handle 120L (M6 hole) blk.**		4
28	YE30200200000	Filter & pressure regulating valve APR-2000*		1
27		Discharge plate *	SUS201	1
26	BH10905001070	Clump weight SHR-P-90U-5-A-09		1
25	BH12000600010	Magnet sleeve SAL-6U-19		1
24	BL21000600120	Magnet cover SAL-6U-07(SUS201)has mould		1
23	YW90257700000	Permanent magnet Φ25×Φ7×7		1
22	YE15123000400	Reed switch BM12-30BLA/180mm 24V*		1
21		Sensor shell	SUS201	1
20		Inlet pipe fastener *	Silical gel	1
19		2.5" Backstop non-return piece	SUS201	1
18		2.5" Backstop	SUS201	1
17		Inlet pipe *	Assembly	1
16	BP82774800044	Filter cloth bag SHR-P-90U-A-03Φ77×480mm*		20
15		Filter flange	SUS201	1
14		Filter barrel cover	SUS201	1
13		Suction port pipe	SUS201	1
12	BY20005002450	Vacuum breaking valve SPDV-50I(24VAC)		1
11	YE30001501100	Diaphragm valve RMF-2-15M (G1/2" 24VAC)*		3
10		Pipe connector	Assembly	1
9	YW54001200300	Stainless steel pipe joint †		1
8	YW80161200000	Screw connector APC16-04		4
7		Air accumulator	Assembly	1
6	YW800081400100	Quick air pipe connector APL8-1/4		1
5	YW50041000000	Butterfly ball valve †**PT		1
4		Filter barrel assembly	SUS201	1
3	YP82050000000	Punched felt 500G Polyester 100M L x 215 W		109K
2		Vent window	SUS201	1
1	YW02003000400	Adjustable snap hook SAL-6U-A-35*		2

Mark	Before Mod.	After Mod.	Mod. by	Date	Dra.	Ver.	Title	SHR-P-90U	Material number	No.	1	Scale	1:15	Remarks
								Drawing no.	SHR-P-90U(for assembly drawing)	Mat.	1			
								App by		Mat.	Assembly			
								Check		Surface req.				
								App.		Mat. No.				
								Date						

SHINI 信益 臺灣機械股份有限公司
Shini Precision Technology, Inc.

