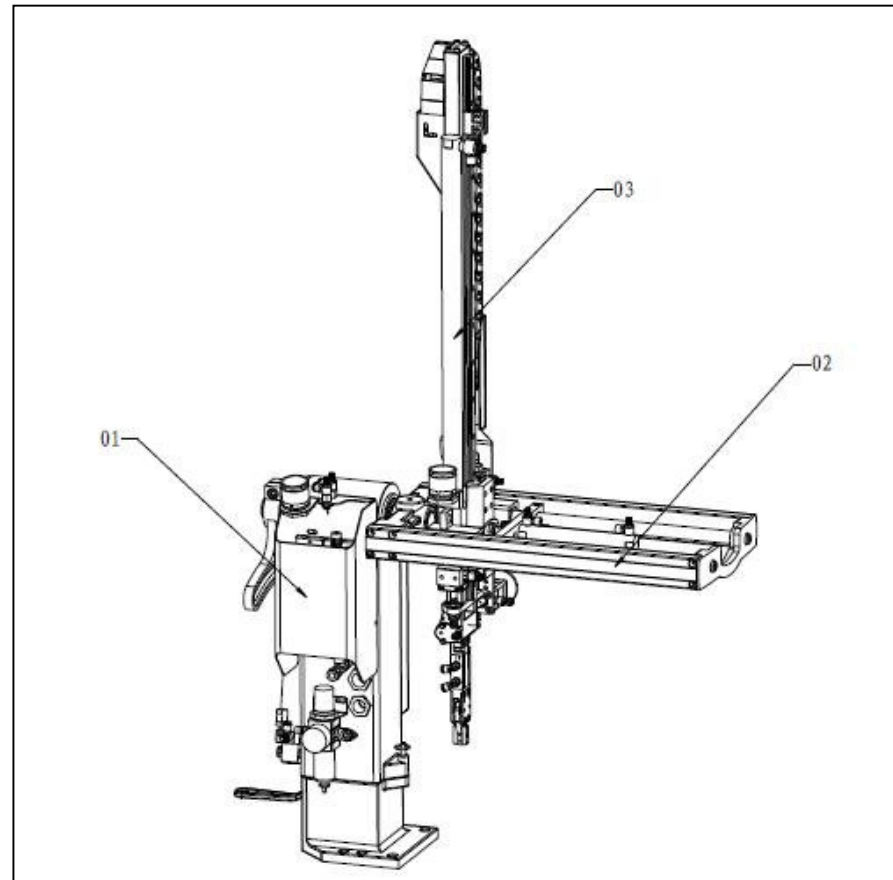


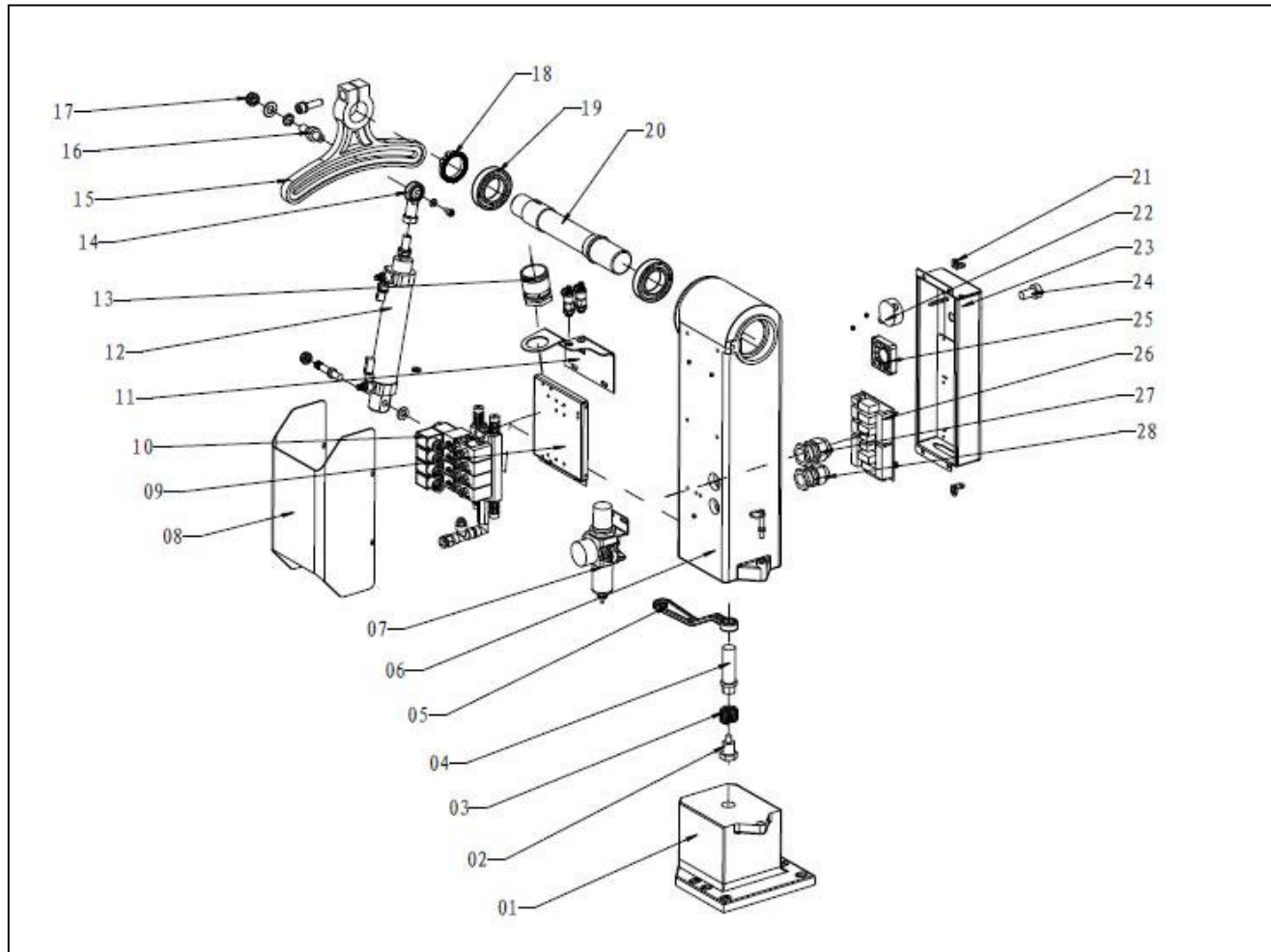
## 1. Robot Unit(SS-650-S1)



Parts Name:

1. Base unit    2. Crosswise unit    3. Arm unit

## 2. Base Unit Assembly Drawing



Note: Details of Arabic numerals in parts drawing please refer to Components List 3.

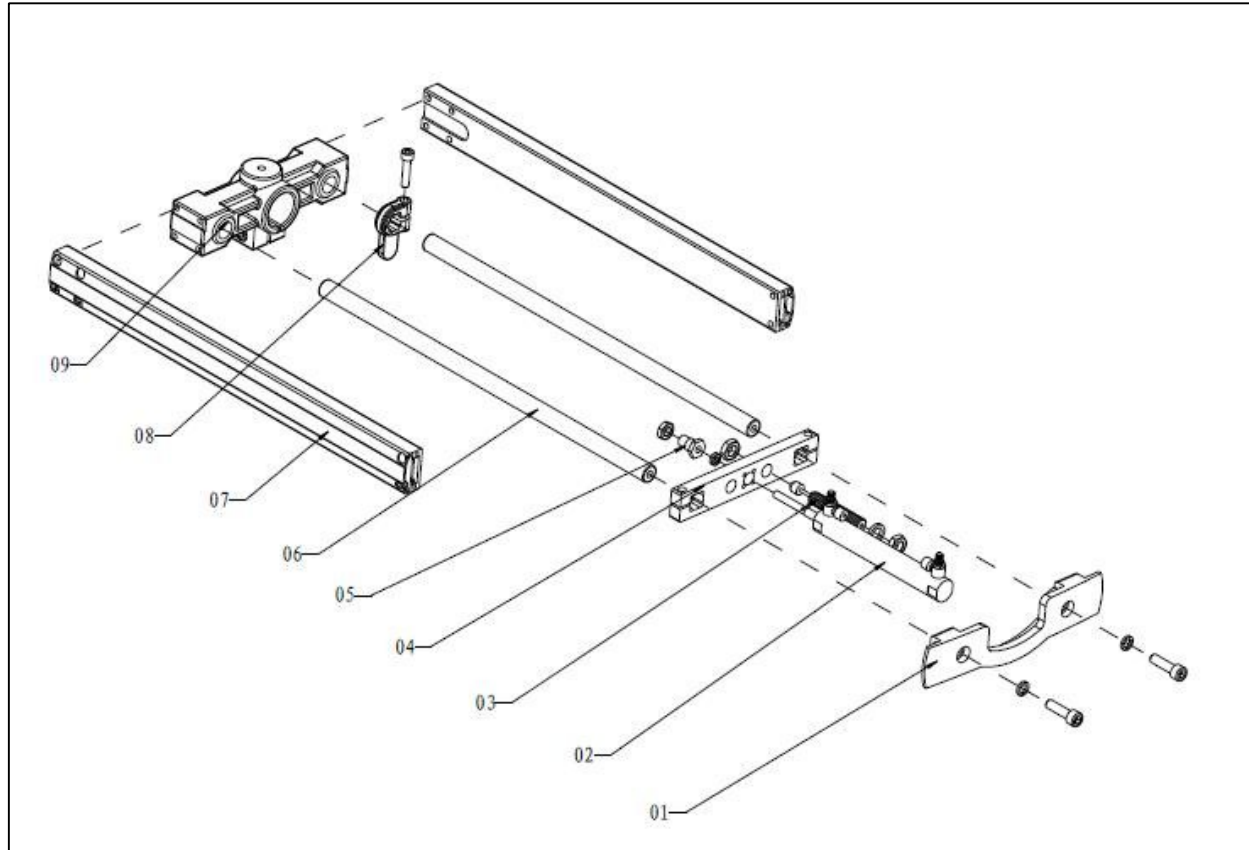
### 3. Parts List

No.	Name	Parts No.	No.	Name	Parts No.
01	Base	Currently None (Belonging to rack)	15	Rotating frame	Currently None (Belonging to rack)
02	Rotating seat screw	Currently None (Belonging to rack)	16	Crosswise transfer Pin	Currently None (Belonging to rack)
03	Base rotating spring	Currently None (Belonging to rack)	17	Special nut	Currently None (Belonging to rack)
04	Base pin	Currently None (Belonging to rack)	18	Snap ring	Currently None (Belonging to rack)
05	Angle adjustment wrench	Currently None (Belonging to rack)	19	Bearing	Currently None (Belonging to rack)
06	Mounting base	Currently None (Belonging to rack)	20	Crosswise rotation shaft	Currently None (Belonging to rack)
07	Filter pressure regulating valve	Currently None (Belonging to rack)	21	L-shaped adapter	Currently None (Belonging to rack)
08	Solenoid valve cover	Currently None (Belonging to rack)	22	Buzzer	Currently None (Belonging to rack)
09	Solenoid valve mount plate	Currently None (Belonging to rack)	23	Control box cover	Currently None (Belonging to rack)
10	Solenoid valve	Currently None (Belonging to rack)	24	Alarm light	Currently None (Belonging to rack)
11	Air pipe adapter plate	Currently None (Belonging to rack)	25	Cooling fan	Currently None (Belonging to rack)
12	Cylinder	Currently None (Belonging to rack)	26	Circuit board	Currently None (Belonging to rack)
13	Corrugated pipe connector	Currently None (Belonging to rack)	27	22.7 Corrugated pipe connector	Currently None (Belonging to rack)
14	Fisheye connector	Currently None (Belonging to rack)	28	20.5 Corrugated pipe connector	Currently None (Belonging to rack)

\*\* means easy broken part and spare backup is suggested. \* means possible broken parts.

Please confirm the version of manual before placing the purchase order to guarantee that the item number of the spare part is in accordance with the real object.

#### 4. Crosswise Components Assembly Drawing



Note: Details of Arabic numerals in parts drawing please refer to Components List 5.

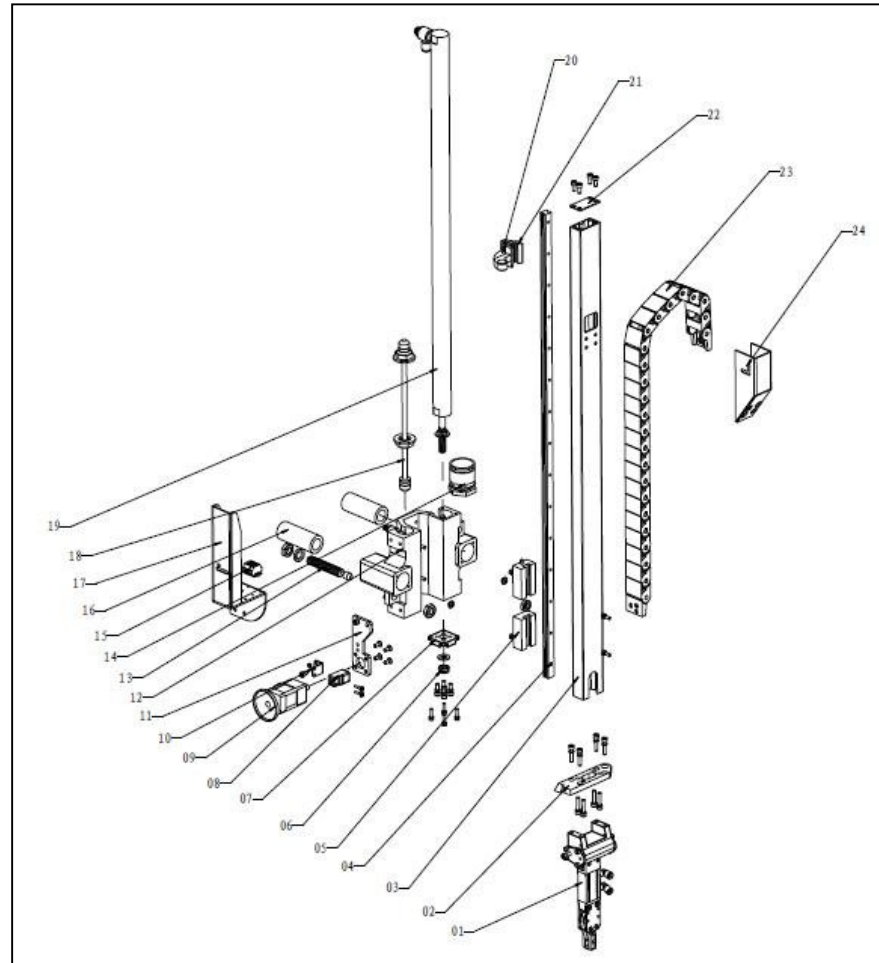
## 5. Parts List

No.	Name	Parts No.	No.	Name	Parts No.
01	Crosswise profile connection plate	Currently None (Belonging to rack)	06	Support guide rod	Currently None (Belonging to rack)
02	Crosswise cylinder	Currently None (Belonging to rack)	07	Crosswise profile	Currently None (Belonging to rack)
03	Oil pressure buffer	Currently None (Belonging to rack)	08	Crosswise limit baffle	Currently None (Belonging to rack)
04	Guide rod fixing plate	Currently None (Belonging to rack)	09	Crosswise mounting base	Currently None (Belonging to rack)
05	Cylinder connector	Currently None (Belonging to rack)	10		

\*\* means easy broken part and spare backup is suggested. \* means possible broken parts.

Please confirm the version of manual before placing the purchase order to guarantee that the item number of the spare part is in accordance with the real object.

## 6. Arm Assembly Drawing



Note: Details of Arabic numerals in parts drawing please refer to Components List 7.

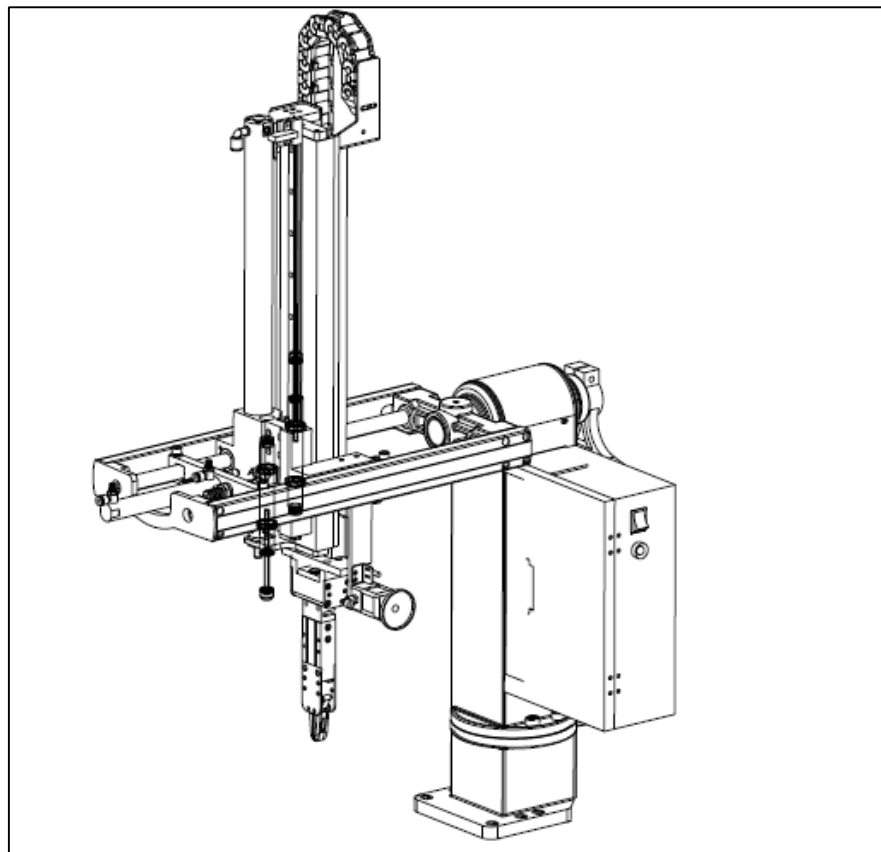
## 7. Parts List

No.	Name	Parts No.	No.	Name	Parts No.
01	Cyclone group and clamp	Currently None (Belonging to rack)	14	Corrugated pipe connector	Currently None (Belonging to rack)
02	Clamp adapter plate	Currently None (Belonging to rack)	15	Terminal board	Currently None (Belonging to rack)
03	Arm profile	Currently None (Belonging to rack)	16	Bushing (linear bearing)	Currently None (Belonging to rack)
04	15 Linear slides	Currently None (Belonging to rack)	17	Drag chain connector	Currently None (Belonging to rack)
05	15 four holes sliding block	Currently None (Belonging to rack)	18	Double headed buffer	Currently None (Belonging to rack)
06	Special nut	Currently None (Belonging to rack)	19	Arm cylinder	Currently None (Belonging to rack)
07	Cylinder fixing plate	Currently None (Belonging to rack)	20	Rail lock 01	Currently None (Belonging to rack)
08	Proximity switch	Currently None (Belonging to rack)	21	Rail lock 02	Currently None (Belonging to rack)
09	Anti-falling cylinder	Currently None (Belonging to rack)	22	Arm upper cover	Currently None (Belonging to rack)
10	Proximity switch mounting plate	Currently None (Belonging to rack)	23	Drag chain	Currently None (Belonging to rack)
11	Anti-falling cylinder mounting plate	Currently None (Belonging to rack)	24	Drag chain connector	Currently None (Belonging to rack)
12	Arm mounting base	Currently None (Belonging to rack)	25		
13	Oil pressure buffer	Currently None (Belonging to rack)	26		

\*\* means easy broken part and spare backup is suggested. \* means possible broken parts.

Please confirm the version of manual before placing the purchase order to guarantee that the item number of the spare part is in accordance with the real object.

1. Robot Unit(SS-650T-S1)

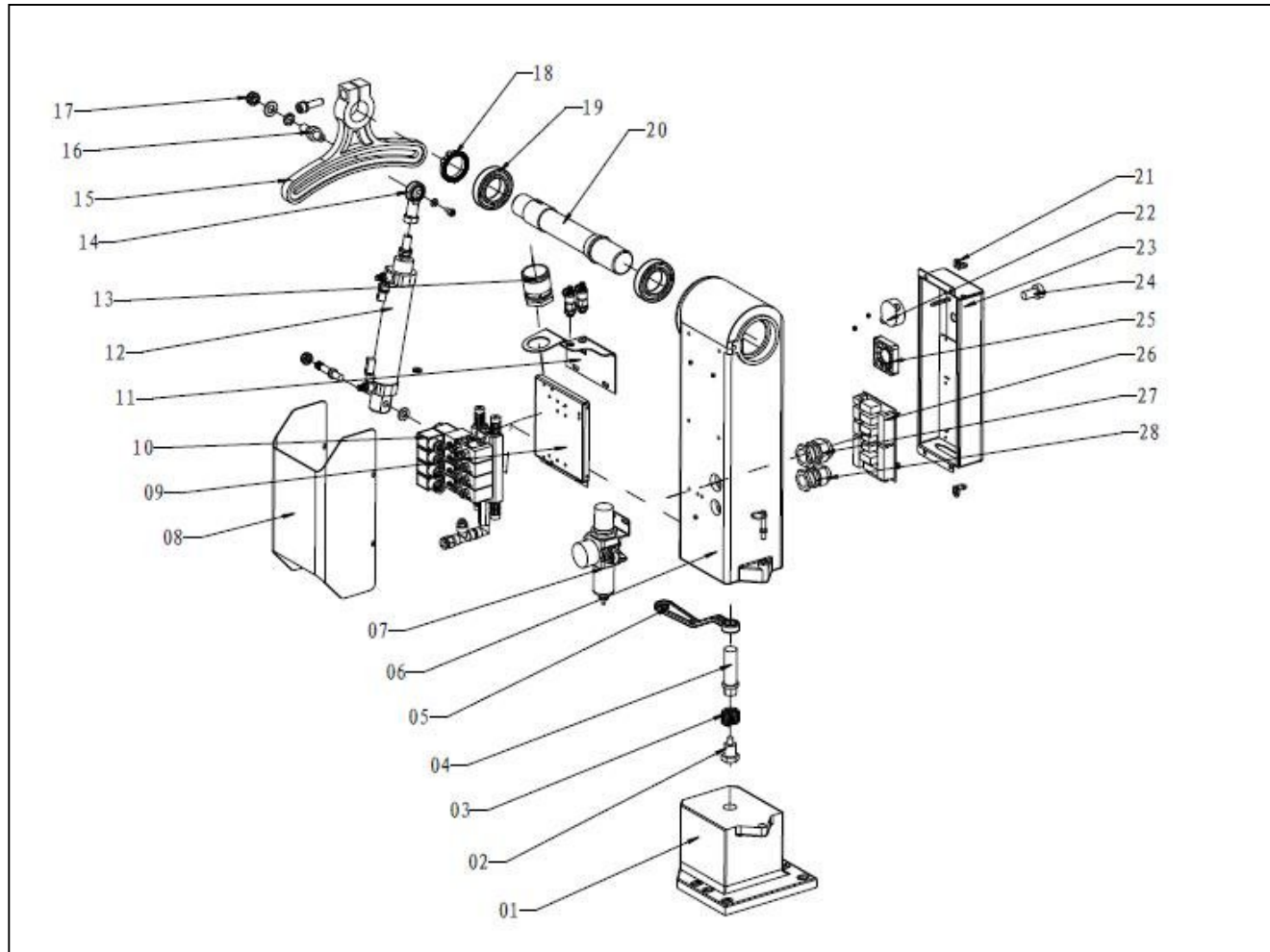


Parts Name:

1. Base unit 2. Control box 3. Crosswise unit 4. Arm unit



## 2. Base Unit Assembly Drawing



Note: Details of Arabic numerals in parts drawing please refer to Components List 3.

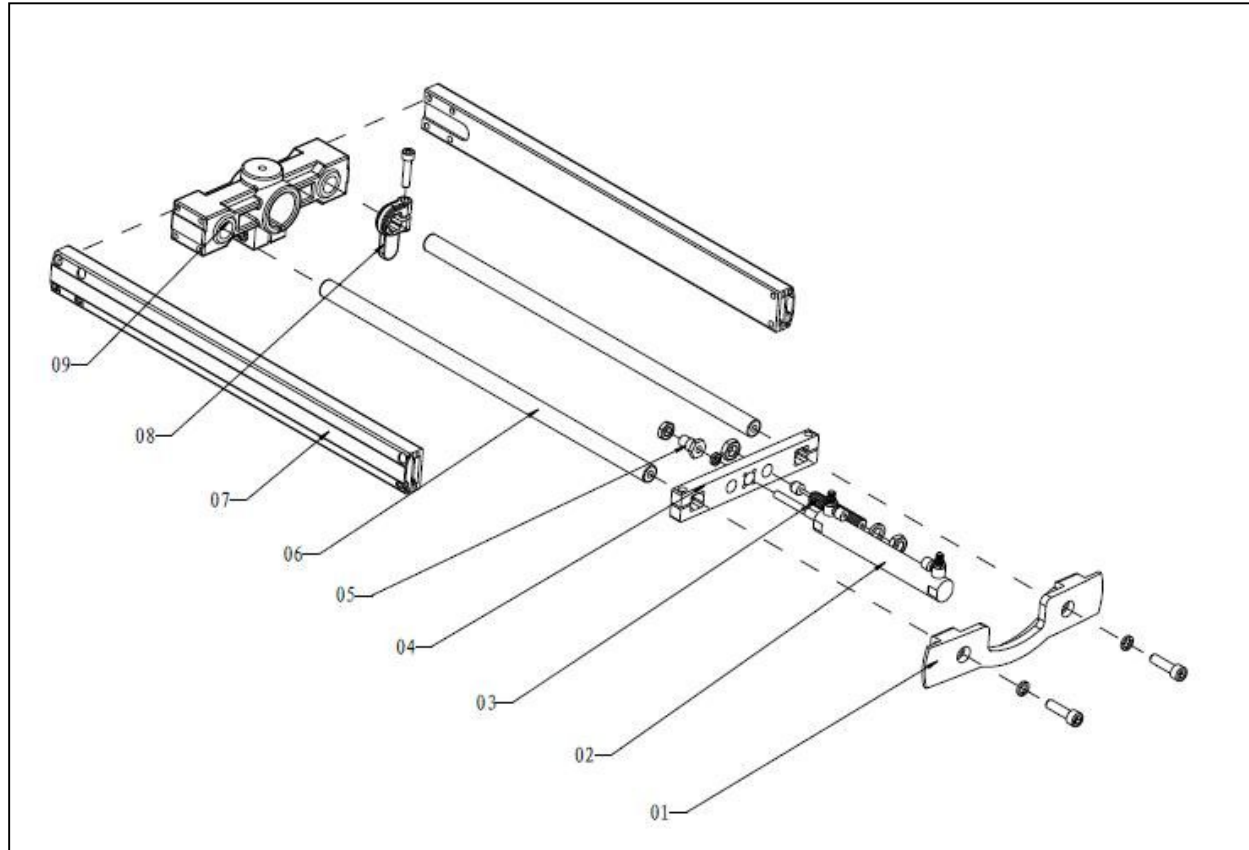
### 3. Parts List

No.	Name	Parts No.	No.	Name	Parts No.
01	Base	Currently None (Belonging to rack)	15	Rotating frame	Currently None (Belonging to rack)
02	Rotating seat screw	Currently None (Belonging to rack)	16	Crosswise transfer Pin	Currently None (Belonging to rack)
03	Base rotating spring	Currently None (Belonging to rack)	17	Special nut	Currently None (Belonging to rack)
04	Base pin	Currently None (Belonging to rack)	18	Snap ring	Currently None (Belonging to rack)
05	Angle adjustment wrench	Currently None (Belonging to rack)	19	Bearing	Currently None (Belonging to rack)
06	Mounting base	Currently None (Belonging to rack)	20	Crosswise rotation shaft	Currently None (Belonging to rack)
07	Filter pressure regulating valve	Currently None (Belonging to rack)	21	L-shaped adapter	Currently None (Belonging to rack)
08	Solenoid valve cover	Currently None (Belonging to rack)	22	Buzzer	Currently None (Belonging to rack)
09	Solenoid valve mount plate	Currently None (Belonging to rack)	23	Control box cover	Currently None (Belonging to rack)
10	Solenoid valve	Currently None (Belonging to rack)	24	Alarm light	Currently None (Belonging to rack)
11	Air pipe adapter plate	Currently None (Belonging to rack)	25	Cooling fan	Currently None (Belonging to rack)
12	Cylinder	Currently None (Belonging to rack)	26	Circuit board	Currently None (Belonging to rack)
13	Corrugated pipe connector	Currently None (Belonging to rack)	27	22.7 Corrugated pipe connector	Currently None (Belonging to rack)
14	Fisheye connector	Currently None (Belonging to rack)	28	20.5 Corrugated pipe connector	Currently None (Belonging to rack)

\*\* means easy broken part and spare backup is suggested. \* means possible broken parts.

Please confirm the version of manual before placing the purchase order to guarantee that the item number of the spare part is in accordance with the real object.

#### 4. Crosswise Components Assembly Drawing



Note: Details of Arabic numerals in parts drawing please refer to Components List 5.

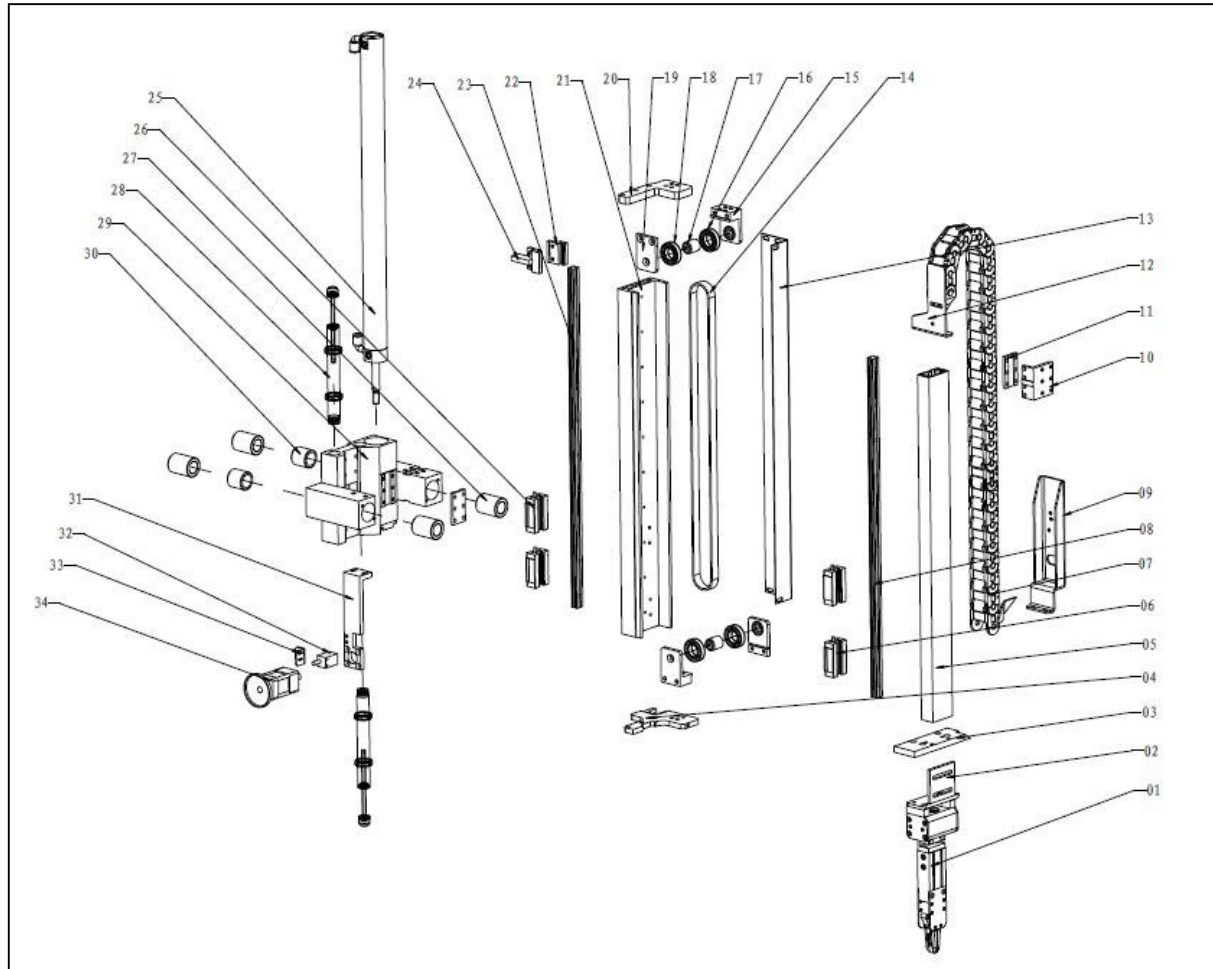
## 5. Parts List

No.	Name	Parts No.	No.	Name	Parts No.
01	Crosswise profile connection plate	Currently None (Belonging to rack)	06	Support guide rod	Currently None (Belonging to rack)
02	Crosswise cylinder	Currently None (Belonging to rack)	07	Crosswise profile	Currently None (Belonging to rack)
03	Oil pressure buffer	Currently None (Belonging to rack)	08	Crosswise limit baffle	Currently None (Belonging to rack)
04	Guide rod fixing plate	Currently None (Belonging to rack)	09	Crosswise mounting base	Currently None (Belonging to rack)
05	Cylinder connector	Currently None (Belonging to rack)	10		

\*\* means easy broken part and spare backup is suggested. \* means possible broken parts.

Please confirm the version of manual before placing the purchase order to guarantee that the item number of the spare part is in accordance with the real object.

## 6. Arm Assembly Drawing



Note: Details of Arabic numerals in parts drawing please refer to Components List 7.

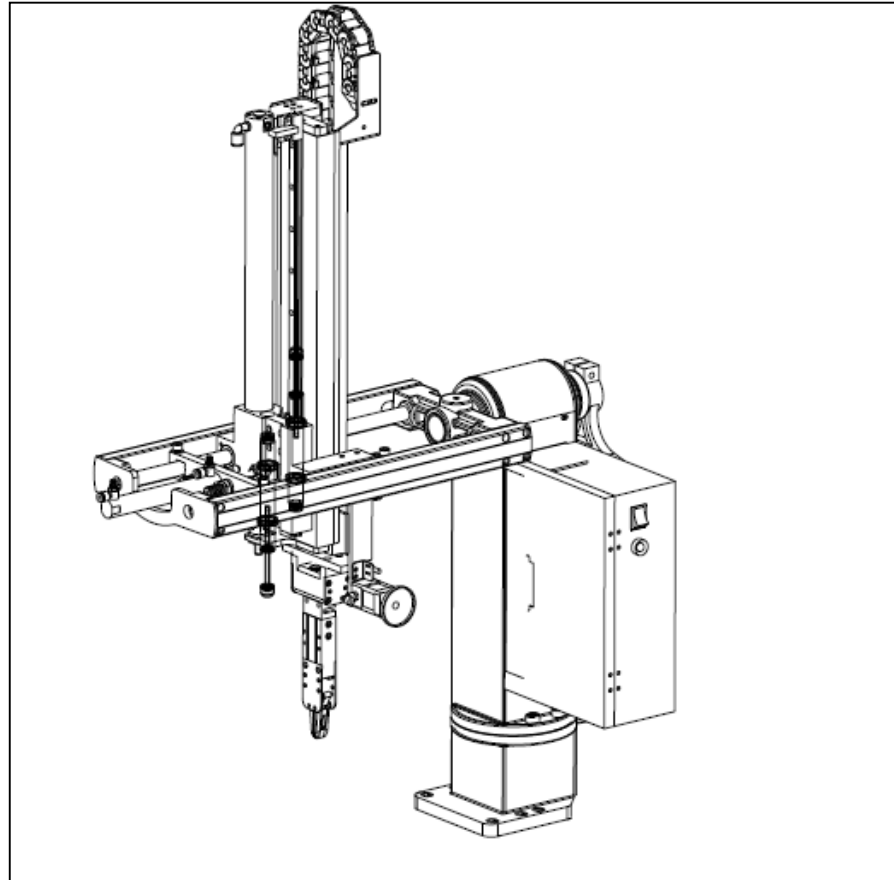
## 7. Parts List

No.	Name	Parts No.	No.	Name	Parts No.
01	Cyclone group and clamp	Currently None (Belonging to rack)	18	Bearing	Currently None (Belonging to rack)
02	Clamp adapter plate 1	Currently None (Belonging to rack)	19	Arm bearing mounting plate 2	Currently None (Belonging to rack)
03	Clamp adapter plate 2	Currently None (Belonging to rack)	20	Arm upper mounting plate	Currently None (Belonging to rack)
04	Cylinder piston fixing plate	Currently None (Belonging to rack)	21	Arm second section profile	Currently None (Belonging to rack)
05	Arm first section profile	Currently None (Belonging to rack)	22	Guide rail limiter 1	Currently None (Belonging to rack)
06	Linear slider	Currently None (Belonging to rack)	23	Linear slides	Currently None (Belonging to rack)
07	Arm up and down drag chain	Currently None (Belonging to rack)	24	Guide rail limiter 2	Currently None (Belonging to rack)
08	Linear slides	Currently None (Belonging to rack)	25	Arm up and down cylinders	Currently None (Belonging to rack)
09	Arm down drag chain installation plate	Currently None (Belonging to rack)	26	Linear slider	Currently None (Belonging to rack)
10	Arm belt toothed plate	Currently None (Belonging to rack)	27	linear bearing	Currently None (Belonging to rack)
11	Arm belt moving pressure plate	Currently None (Belonging to rack)	28	Oil pressure buffer	Currently None (Belonging to rack)
12	Arm up drag chain installation plate	Currently None (Belonging to rack)	29	Arm mounting base	Currently None (Belonging to rack)
13	Arm installation cover	Currently None (Belonging to rack)	30	Linear bearing	Currently None (Belonging to rack)
14	Arm circular belt	Currently None (Belonging to rack)	31	Installation block for anti falling cylinder	Currently None (Belonging to rack)
15	Arm bearing mounting plate 1	Currently None (Belonging to rack)	32	Proximity switch	Currently None (Belonging to rack)
16	Bearing	Currently None (Belonging to rack)	33	Proximity switch mounting plate	Currently None (Belonging to rack)
17	Axis	Currently None (Belonging to rack)	34	Anti falling cylinder	Currently None (Belonging to rack)

\*\* means easy broken part and spare backup is suggested. \* means possible broken parts.

Please confirm the version of manual before placing the purchase order to guarantee that the item number of the spare part is in accordance with the real object.

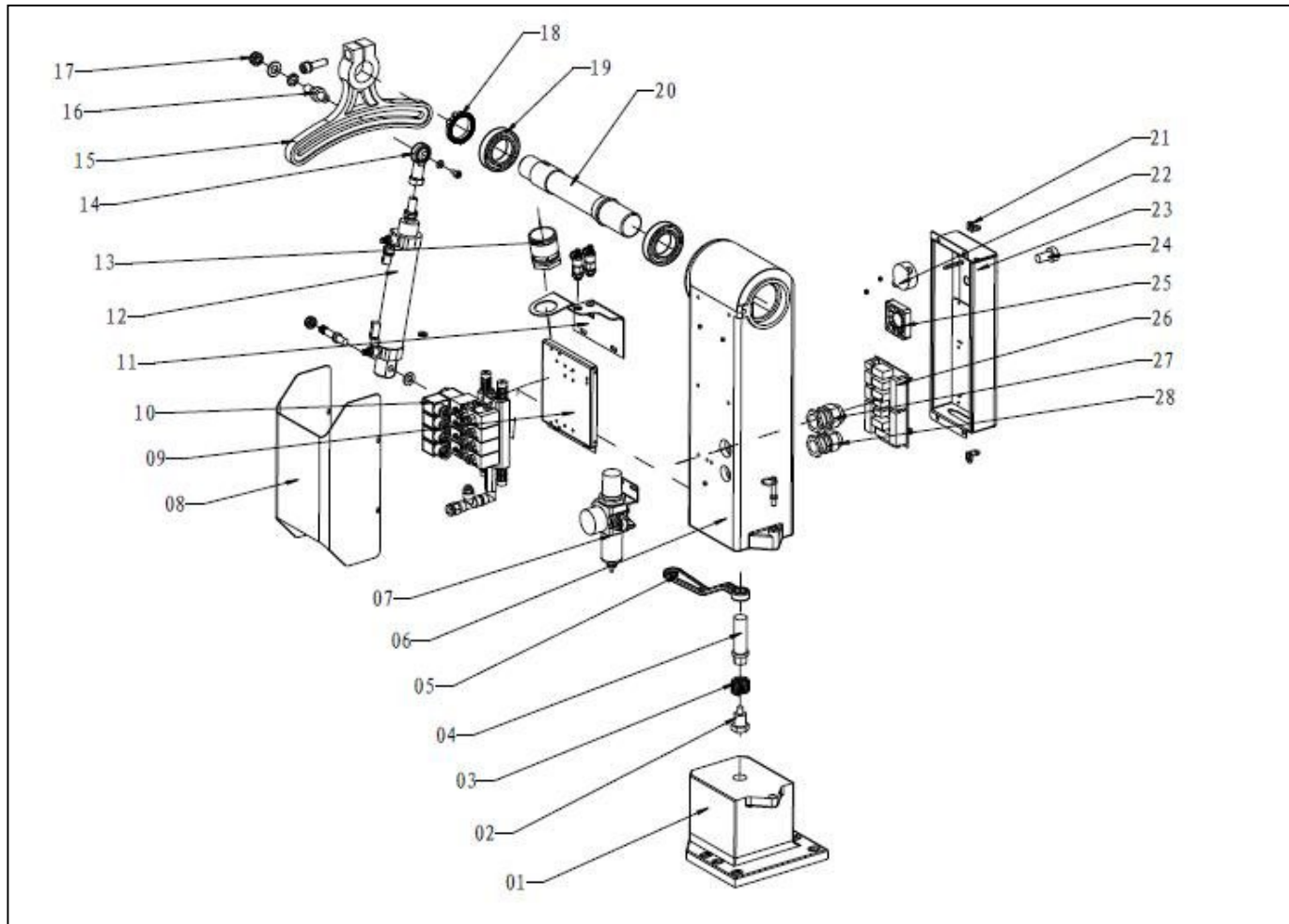
1. Robot Unit(SS-750T-S1)



Parts Name:

1. Base unit 2. Control box 3. Crosswise unit 4. Arm unit

## 2. Base Unit Assembly Drawing



Note: Details of Arabic numerals in parts drawing please refer to Components List 3.



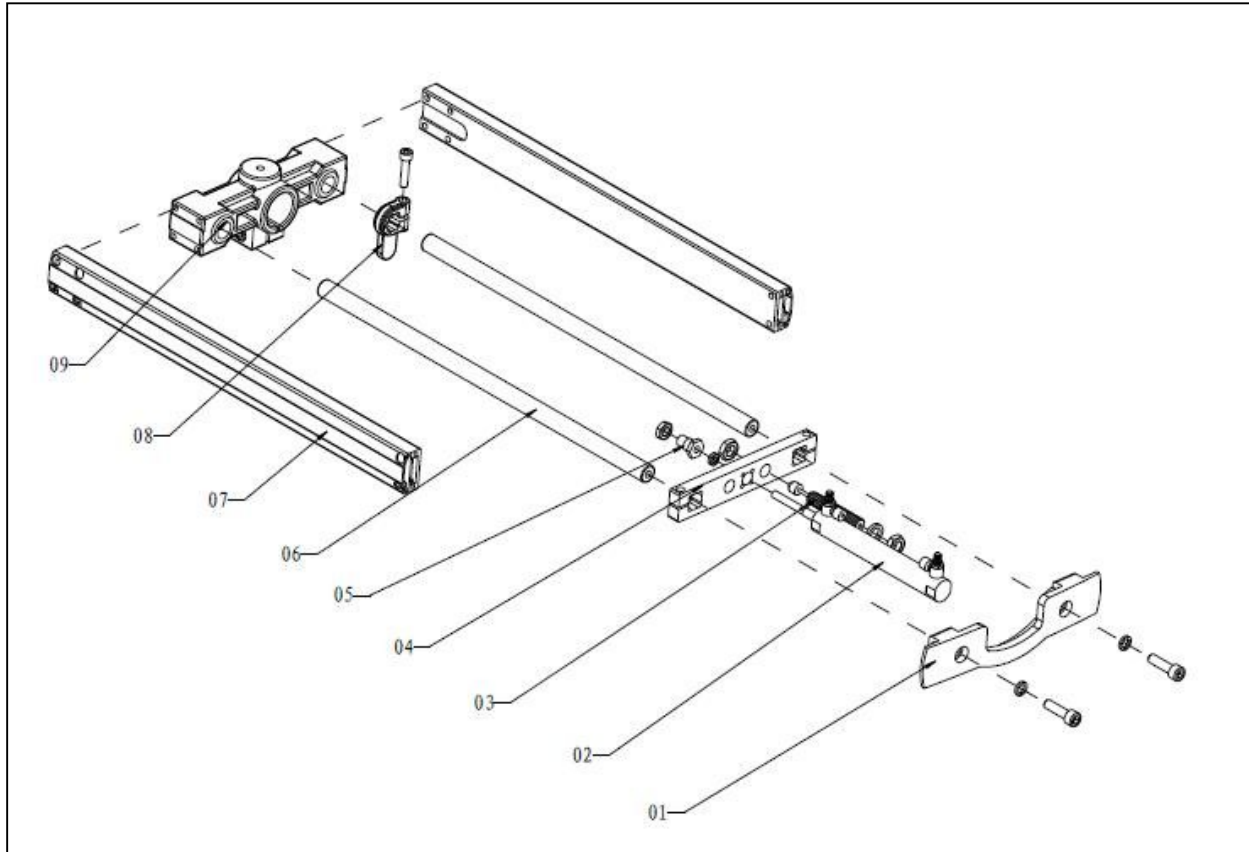
### 3. Parts List

No.	Name	Parts No.	No.	Name	Parts No.
01	Base	Currently None (Belonging to rack)	15	Rotating frame	Currently None (Belonging to rack)
02	Rotating seat screw	Currently None (Belonging to rack)	16	Crosswise transfer Pin	Currently None (Belonging to rack)
03	Base rotating spring	Currently None (Belonging to rack)	17	Special nut	Currently None (Belonging to rack)
04	Base pin	Currently None (Belonging to rack)	18	Snap ring	Currently None (Belonging to rack)
05	Angle adjustment wrench	Currently None (Belonging to rack)	19	Bearing	Currently None (Belonging to rack)
06	Mounting base	Currently None (Belonging to rack)	20	Crosswise rotation shaft	Currently None (Belonging to rack)
07	Filter pressure regulating valve	Currently None (Belonging to rack)	21	L-shaped adapter	Currently None (Belonging to rack)
08	Solenoid valve cover	Currently None (Belonging to rack)	22	Buzzer	Currently None (Belonging to rack)
09	Solenoid valve mount plate	Currently None (Belonging to rack)	23	Control box cover	Currently None (Belonging to rack)
10	Solenoid valve	Currently None (Belonging to rack)	24	Alarm light	Currently None (Belonging to rack)
11	Air pipe adapter plate	Currently None (Belonging to rack)	25	Cooling fan	Currently None (Belonging to rack)
12	Cylinder	Currently None (Belonging to rack)	26	Circuit board	Currently None (Belonging to rack)
13	Corrugated pipe connector	Currently None (Belonging to rack)	27	22.7 Corrugated pipe connector	Currently None (Belonging to rack)
14	Fisheye connector	Currently None (Belonging to rack)	28	20.5 Corrugated pipe connector	Currently None (Belonging to rack)

\*\* means easy broken part and spare backup is suggested. \* means possible broken parts.

Please confirm the version of manual before placing the purchase order to guarantee that the item number of the spare part is in accordance with the real object.

#### 4. Crosswise Components Assembly Drawing



Note: Details of Arabic numerals in parts drawing please refer to Components List 5.

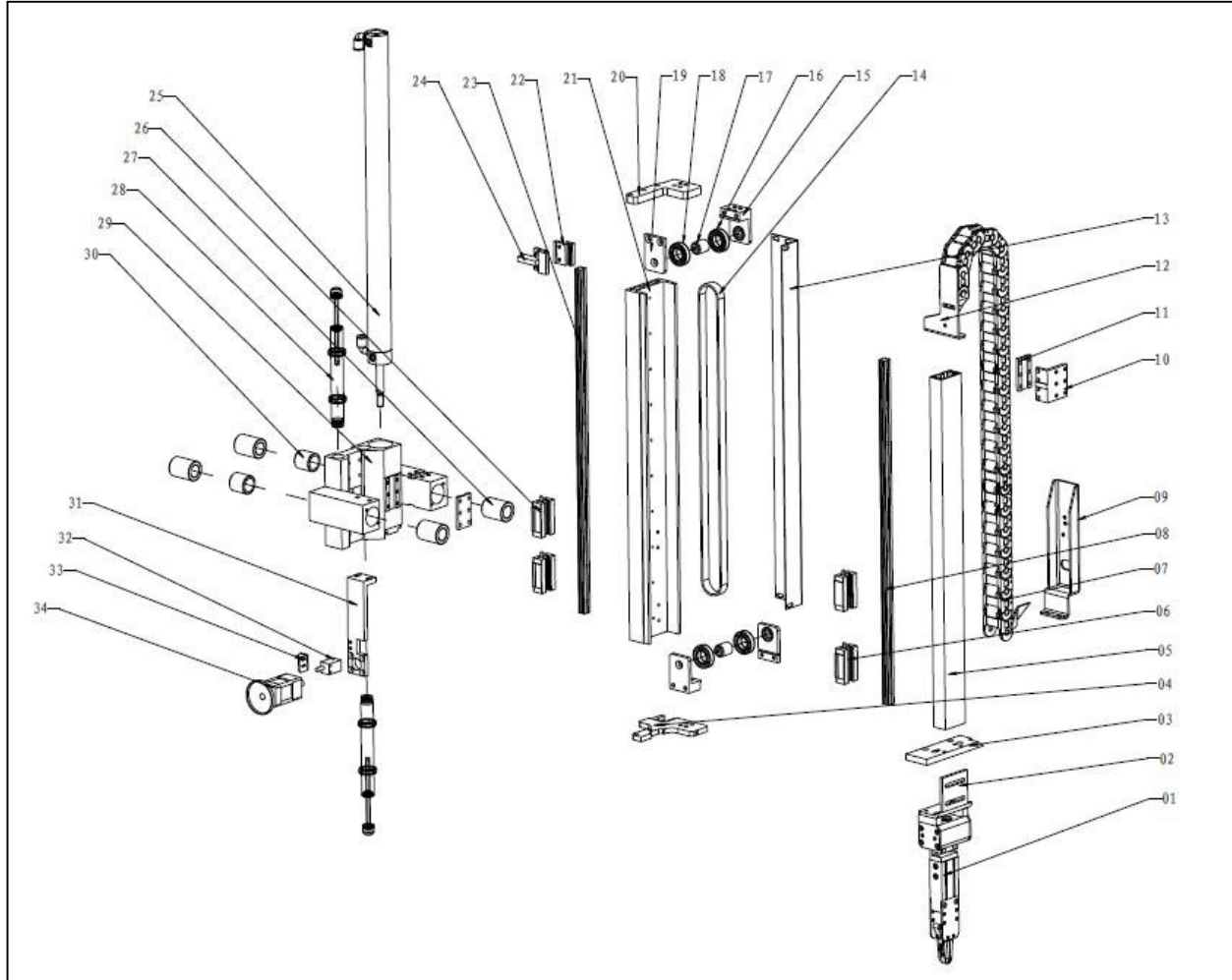
## 5. Parts List

No.	Name	Parts No.	No.	Name	Parts No.
01	Crosswise profile connection plate	Currently None (Belonging to rack)	06	Support guide rod	Currently None (Belonging to rack)
02	Crosswise cylinder	Currently None (Belonging to rack)	07	Crosswise profile	Currently None (Belonging to rack)
03	Oil pressure buffer	Currently None (Belonging to rack)	08	Crosswise limit baffle	Currently None (Belonging to rack)
04	Guide rod fixing plate	Currently None (Belonging to rack)	09	Crosswise mounting base	Currently None (Belonging to rack)
05	Cylinder connector	Currently None (Belonging to rack)	10		Currently None (Belonging to rack)

\*\* means easy broken part and spare backup is suggested. \* means possible broken parts.

Please confirm the version of manual before placing the purchase order to guarantee that the item number of the spare part is in accordance with the real object.

## 6. Arm Assembly Drawing



Note: Details of Arabic numerals in parts drawing please refer to Components List 7.

## 7. Parts List

No.	Name	Parts No.	No.	Name	Parts No.
01	Cyclone group and clamp	Currently None (Belonging to rack)	18	Bearing	Currently None (Belonging to rack)
02	Clamp adapter plate 1	Currently None (Belonging to rack)	19	Arm bearing mounting plate 2	Currently None (Belonging to rack)
03	Clamp adapter plate 2	Currently None (Belonging to rack)	20	Arm upper mounting plate	Currently None (Belonging to rack)
04	Cylinder piston fixing plate	Currently None (Belonging to rack)	21	Arm second section profile	Currently None (Belonging to rack)
05	Arm first section profile	Currently None (Belonging to rack)	22	Guide rail limiter 1	Currently None (Belonging to rack)
06	Linear slider	Currently None (Belonging to rack)	23	Linear slides	Currently None (Belonging to rack)
07	Arm up and down drag chain	Currently None (Belonging to rack)	24	Guide rail limiter 2	Currently None (Belonging to rack)
08	Linear slides	Currently None (Belonging to rack)	25	Arm up and down cylinders	Currently None (Belonging to rack)
09	Arm down drag chain installation plate	Currently None (Belonging to rack)	26	Linear slider	Currently None (Belonging to rack)
10	Arm belt toothed plate	Currently None (Belonging to rack)	27	Linear bearing	Currently None (Belonging to rack)
11	Arm belt moving pressure plate	Currently None (Belonging to rack)	28	Oil pressure buffer	Currently None (Belonging to rack)
12	Arm up drag chain installation plate	Currently None (Belonging to rack)	29	Arm mounting base	Currently None (Belonging to rack)
13	Arm installation cover	Currently None (Belonging to rack)	30	Linear bearing	Currently None (Belonging to rack)
14	Arm circular belt	Currently None (Belonging to rack)	31	Installation block for anti falling cylinder	Currently None (Belonging to rack)
15	Arm bearing mounting plate 1	Currently None (Belonging to rack)	32	Proximity switch	Currently None (Belonging to rack)
16	Bearing	Currently None (Belonging to rack)	33	Proximity switch mounting plate	Currently None (Belonging to rack)
17	Axis	Currently None (Belonging to rack)	34	Anti falling cylinder	Currently None (Belonging to rack)

\*\* means easy broken part and spare backup is suggested. \* means possible broken parts.

Please confirm the version of manual before placing the purchase order to guarantee that the item number of the spare part is in accordance with the real object.