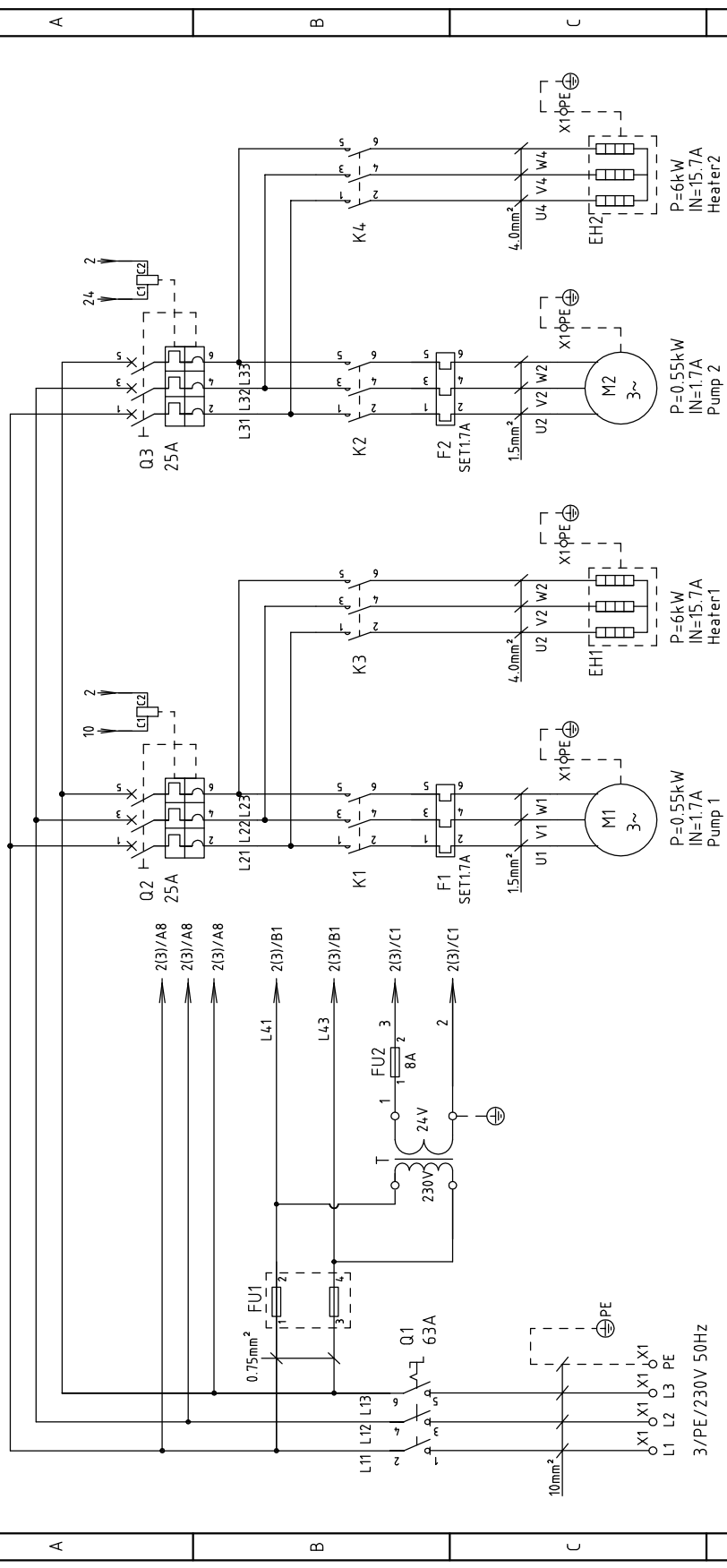


1 2 3 4 5 6 7 8

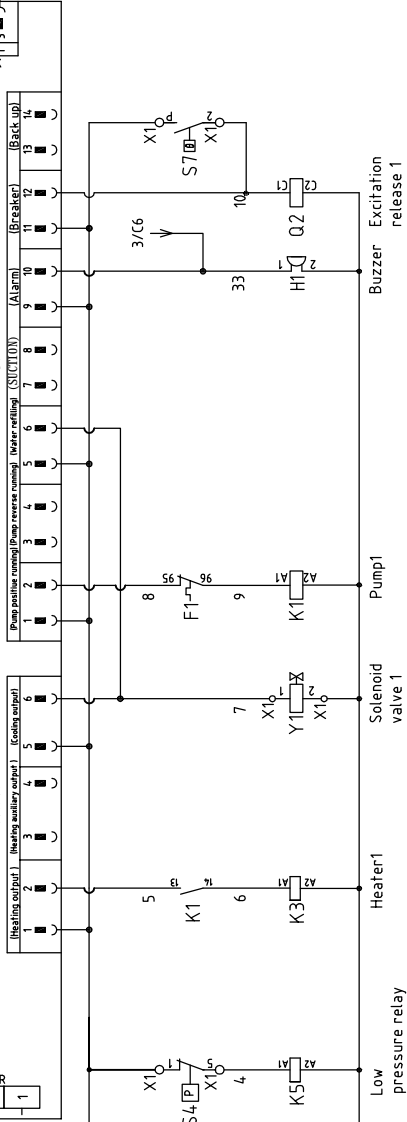
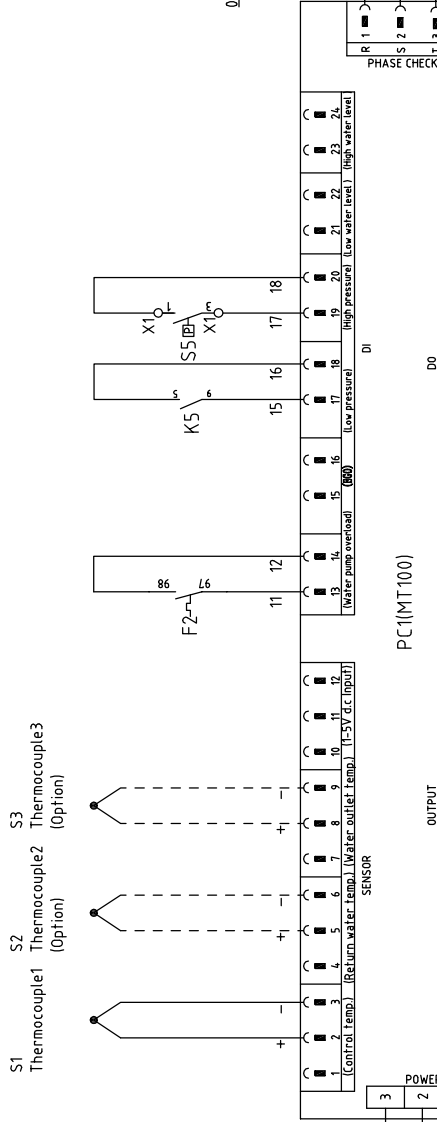
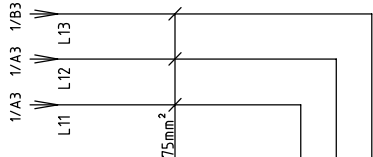


STM-607W-D	版本 Ver.E	When equipped with magnetic pump F1:SET 1.7A	When equipped with magnetic pump F2:SET 1.7A	Page 1
STM-607MW-D	版本 Ver.C	P=0.55KW IN=1.7A	P=0.55KW IN=1.7A	Totally 7 Pages
Title		Drawing NO.		Scale
Main Circuit Diagram		STM-607W-D		CE
Version		Approved by		Voltage
Designer		Proofread by		Frequency
Checked by		Date		230V
Modified by		Modify Date		50Hz
Mark	Before modification	After modification		



1 2 3 4 5 6 7 8

S1 Thermocouple1 (Option)
 S2 Thermocouple2 (Option)
 S3 Thermocouple3 (Option)

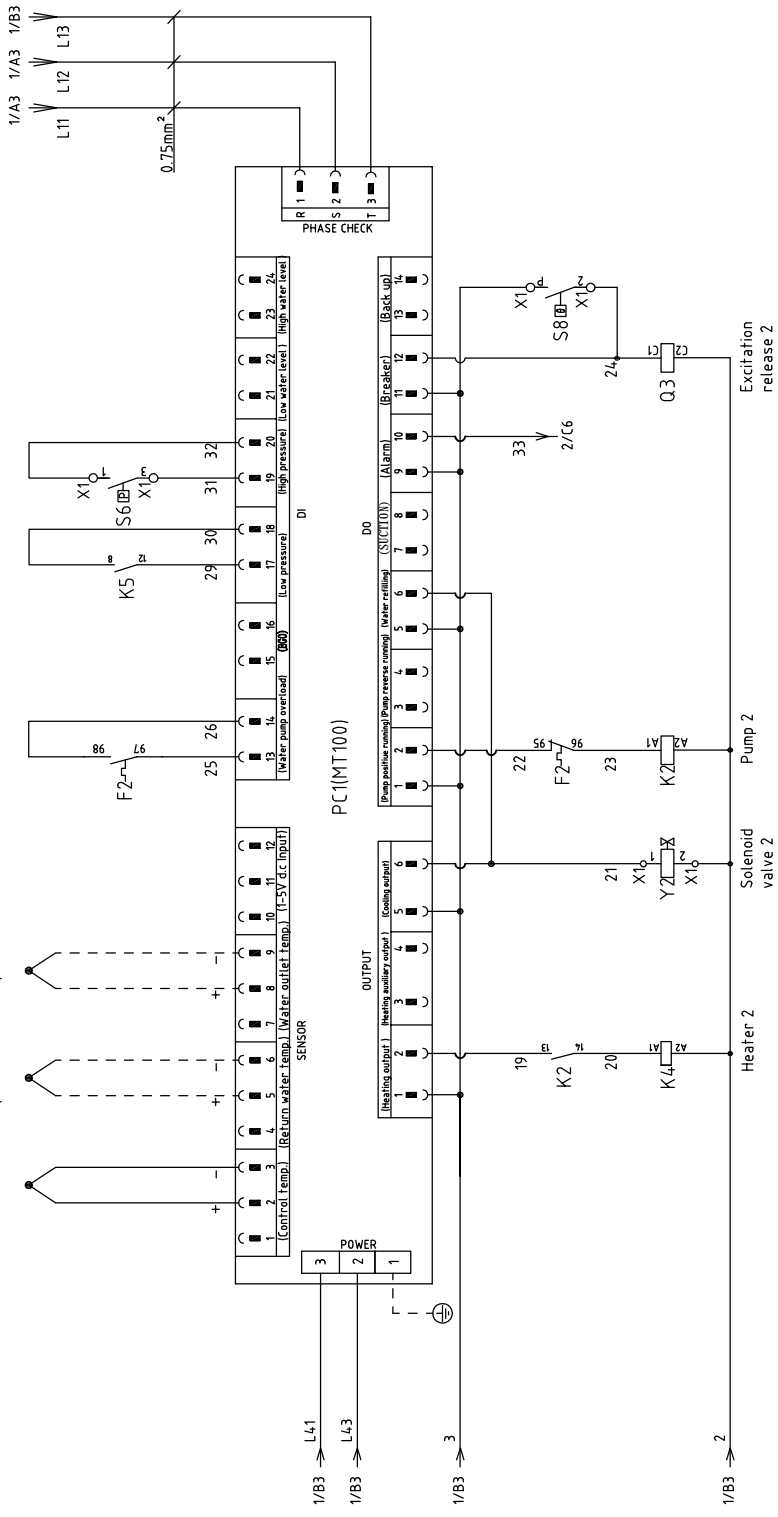


STM-607W-D 版本 Ver.E
 STM-607MW-D 版本 Ver.C

Mark	Before modification	After modification	Modify date	Checked by	Date	20170523
Designer		Proofread by	Approved by	Version	G	
Title STM-607W-D Control Circuit Diagram 1						
Drawing NO. STM-607W-D-CE-230V-G-2						
Scale	Standard	CE	Page 2	Totally 7	Pages	
Voltage	230V	Frequency	50Hz			



S11 Thermocouple1 (Option)
 S12 Thermocouple2 (Option)
 S13 Thermocouple3 (Option)



STM-607W-D 版本 Ver.E
 STM-607MW-D 版本 Ver.C

Mark	Before modification	Modified by	Modify date	Checked by	Date	Proofread by	Designer	Drawer	Version	G	Title	STM-607W-D Control Circuit Diagram 2	Drawing NO.	STM-607W-D-CE-230V-G-3	Scale	Page	3	
	After modification				20170523	Approved by					Control Circuit Diagram 2				Standard	Totally	7	
																	Pages	
																	Voltage	230V
																	Frequency	50Hz

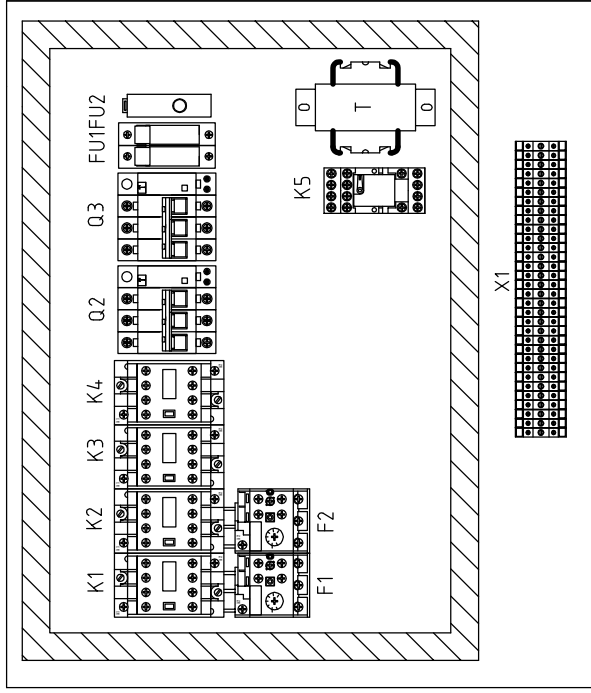
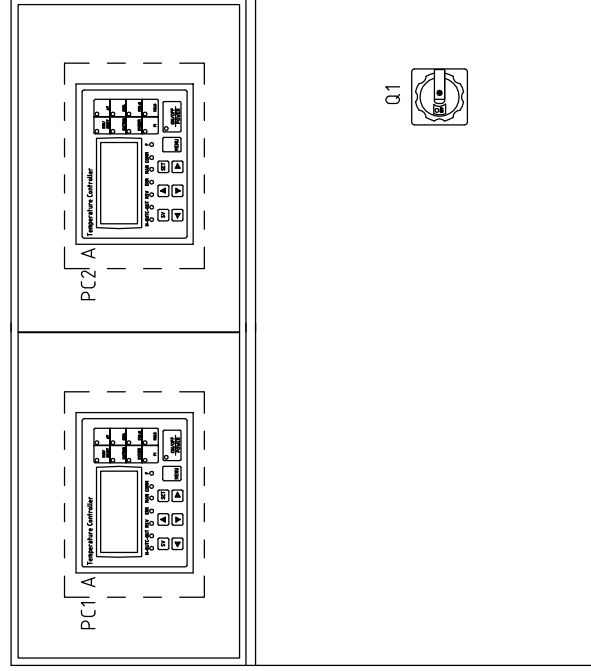


1 2 3 4 5 6 7 8

A B C D

1 2 3 4 5 6 7 8

1 2 3 4 5 6 7 8



A B C D

STM-607W-D 版本 Ver.E
STM-607MW-D 版本 Ver.C

Title		Drawing NO.		Scale	Page
STM-607W-D		STM-607W-D-CE-230V-G-4		Standard	4
Electrical Components Layout		CE		Totally 7 Pages	
Voltage		Frequency		230V	
20170523		Date		50Hz	
Version	Approved by	Date		8	
G		20170523		7	
Drawer	Designer	Proofread by	Checked by	3	
				4	
Modified by	Modify date	Date		2	
Before modification	After modification	Date		1	

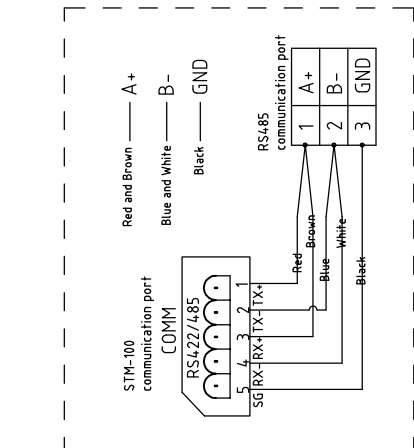
SHINI
信易電熱機械股份有限公司
Shini Plastics Technologies, Inc.

A

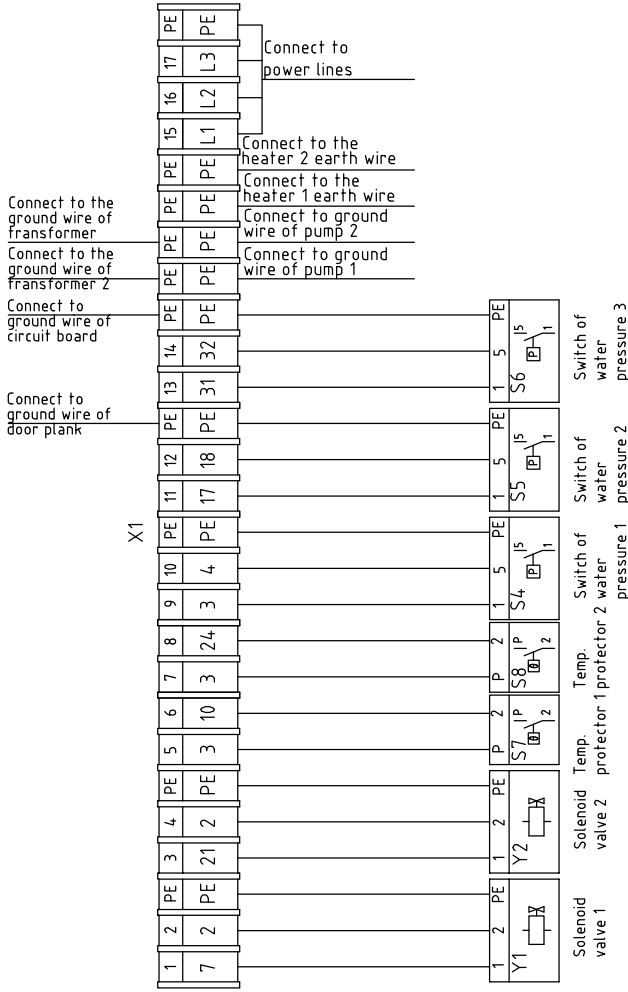
B

C

D



S6 RS485 Communications wiring diagram



STM-607W-D	版本 Ver.E
STM-607MW-D	版本 Ver.C

Technical requirements: Pump and pipe heater should be directly connected to the output terminals of contactor and thermal overload relay.

Title		Drawing No.		Scale	Page
STM-607W-D		STM-607W-D-CE-230V-G-5			5
Thermocouple Wiring Diagram		Standard		CE	Totally 7 Pages
Voltage		Frequency		230V 50Hz	
Mark	Before modification	After modification	Modified by	Modify date	Date
					20170523



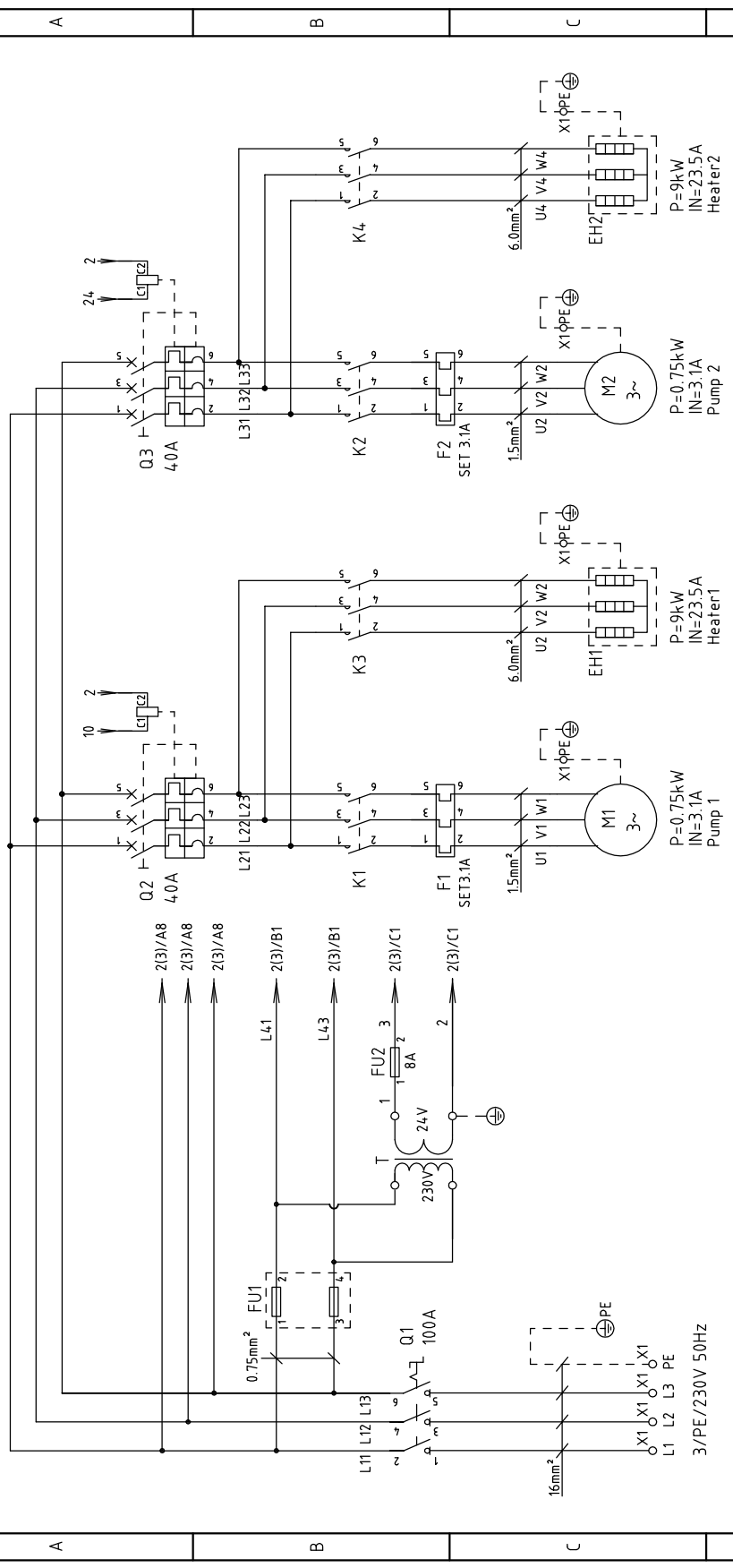
1		2		3		4		5		6		7		8		
NO.	Symbol	Name	Manufacturer	Type	Specification	Number	Material number	Remark								
1	Q1	Main Switch	EATON	P3-63/EA/SVB	63A	1	YE10636300000									
2	Q2 Q3	Circuit Breakers	TECO	BM-63C	25A	2	YE40302503000									
3		Excitation Release	YECO	MX	24VAC	2	YE40024000000	A								
4	K1 K2	Contactors	SIEMENS	3RT6015-1AB01	24VAC	2	YE00601502500									
5	K1 K2	Contactors	SIEMENS	3RT6015-1AB01	24VAC	2	YE00601502500	(3)								
6	K3 K4	Contactors	SIEMENS	3RT6026-1AC20	24VAC	2	YE00602602600									
7	K5	Middle Relay	HONEYWELL	GR-2C-AC24V	24VAC	1	YE03022400300									
8	F1 F2	Overload Relays	SIEMENS	3RU6116-1BB0	1.4-2A	2	YE01160140000									
9	F1 F2	Overload Relays	SIEMENS	3RU6116-1BB0	1.4-2A	2	YE01160140000	(3)								
10	T	Transformer	BAIYUN	IN=230V OUT=24VAC	180VA	1	YE70023005600									
11	FU1	Fuse Base	CHNT	RT18-32	32A 2P	1	YE41032200000	B								
12		Fuse Core	MRO	10×38 500V	2A	2	YE46002000100									
13	FU2	Fuse	YINDA	FS-10	-----	1	YE41001000000									
14		Fuse	-----	6×30/8A	8A	1	YE46863000200									
15	PC1 A PC2 A	Circuit Board	HANYOUNGX	STM100-2(IWith the communication)	180~4.30V 50/60Hz	2	YE81184.300200									
16	H1	Buzzer	-----	PK-35A	24VAC/DC	1	YE84003500600									
17	S1 S11	Thermocouple	SHINI	-----	-----	2	-----	(1)								
18	S2 S3 S12 S13	Thermocouple	SHINI	-----	-----	4	-----	(1)(2)								
19	S7 S8	Overheat Protector	TONCEAO	-----	-----	2	-----	(1)								
20	S4 S5 S6	Switch of Water Pressure	FANSHEN	-----	-----	3	-----	(1)								
21	Y1 Y2	Solenoid Valve	-----	-----	24VAC	2	-----	(1)								
22	X1	Terminal Board	HONEYWELL	2.5mm ²	-----	14	YE60002503200									
23		Terminal Board	HONEYWELL	2.5mm ² PE	-----	7	YE60002503400									
24		Terminal Board	HONEYWELL	4.0mm ² PE	-----	2	YE60000403500									
STM-607W-D 版本		Notes: (1)Means it's not the material inside the control box.(2)Means equipped with function of displaying water outlet and return water temperature.														
STM-607MW-D 版本		(3)Means equipped with magnetic pump.														
		Drawer	Version	G	Title	Drawing NO.		Scale	Page							
		Designer	Approved by		STM-607W-D	STM-607W-D-CE-230V-G-6		Standard	Ce	Totally						
		Proofread by			Electrical Components List 1			Voltage	230V							
		Checked by	Date	20170523				Frequency	50Hz							
Mark		Before modification	Modified by	Modify date												
1		2		3		4		5		6		7		8		



1		2		3		4		5		6		7		8	
NO.	Symbol	Name	Manufacturer	Type	Specification	Number	Material number	Remark							
25		Terminal Board	HONEYWELL	10.0mm ²	----	3	YE60001003200								
26		Terminal Board	HONEYWELL	10.0mm ² PE	----	1	YE60001003500								
27	M1 M2	Motor	SHINI	TP-55	230V 50Hz 0.55kW	2	----	(1)							
28	M1 M2	Motor	SHINI	MP-55	230V 50Hz 0.55kW	2	----	(1)(3)							
29	EH1 EH2	Heater	SHINI	6kW	230V 50Hz	2	----	(1)							
30	S9	Communication interface board RS-485 (double Dsub-9pin connector)			PCS	1.000	YE90048501200								
31		Shell RS485(SAL-700G-A-1910)			PCS	1.000	YR4,0048500000								
A															
B															
C															
D															
STM-607W-D 版本 Ver.E		Notes: (1)Means it's not the material inside the control box.(2)Means equipped with function of displaying water outlet and return water temperature.													
STM-607MW-D 版本 Ver.C		(3)Means equipped with magnetic pump.													
		Version		G		Title		Drawing NO.		Scale		Page		7	
		Approved by				STM-607W-D		STM-607W-D-CE-230V-G-7		Standard		CE		Totally 7	
		Designer		Proofread by		Electrical Components List 2				Voltage		230V			
		Checked by		Date		20170523				Frequency		50Hz			
Mark		Before modification		After modification		Modified by		Modify date							
1		3		4		5		6		7		8			



1 2 3 4 5 6 7 8



STM-910W-D	版本	Ver.E
STM-910MW-D	版本	Ver.C
Mark	Before modification	After modification
	Modify Date	Date
	Checked by	Checked by
	Proofread by	Proofread by
	Designer	Approved by
	Drawer	Version
		G

When equipped with magnetic pump F1:SET 3:1A
 P=1.0KW IN=3.1A

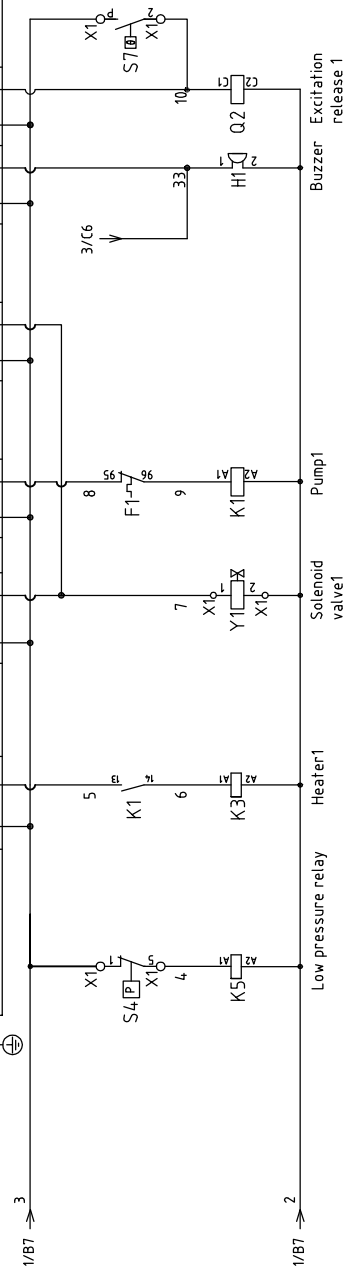
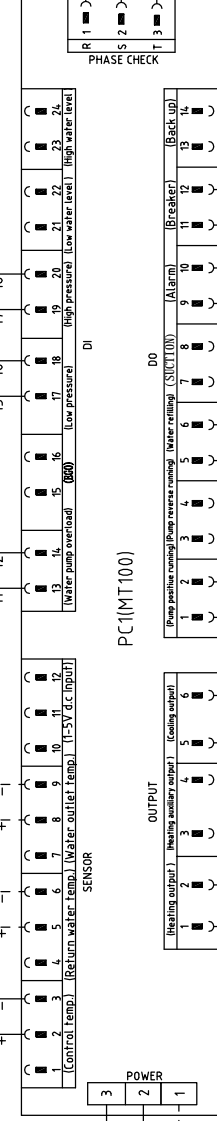
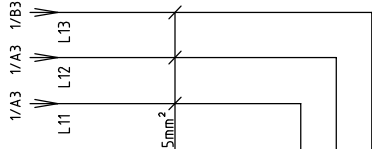
When equipped with magnetic pump F2:SET 3:1A
 P=1.0KW IN=3.1A

Title		Drawing No.	
STM-910W-D		STM-910W-D-CE-230V-G-1	
Main Circuit Diagram		Scale	Page 1
		Standard	Totally 7
			Pages
		Voltage	230V
		Frequency	50Hz



1 2 3 4 5 6 7 8

S1 Thermocouple1
 S2 Thermocouple2 (Option)
 S3 Thermocouple3 (Option)

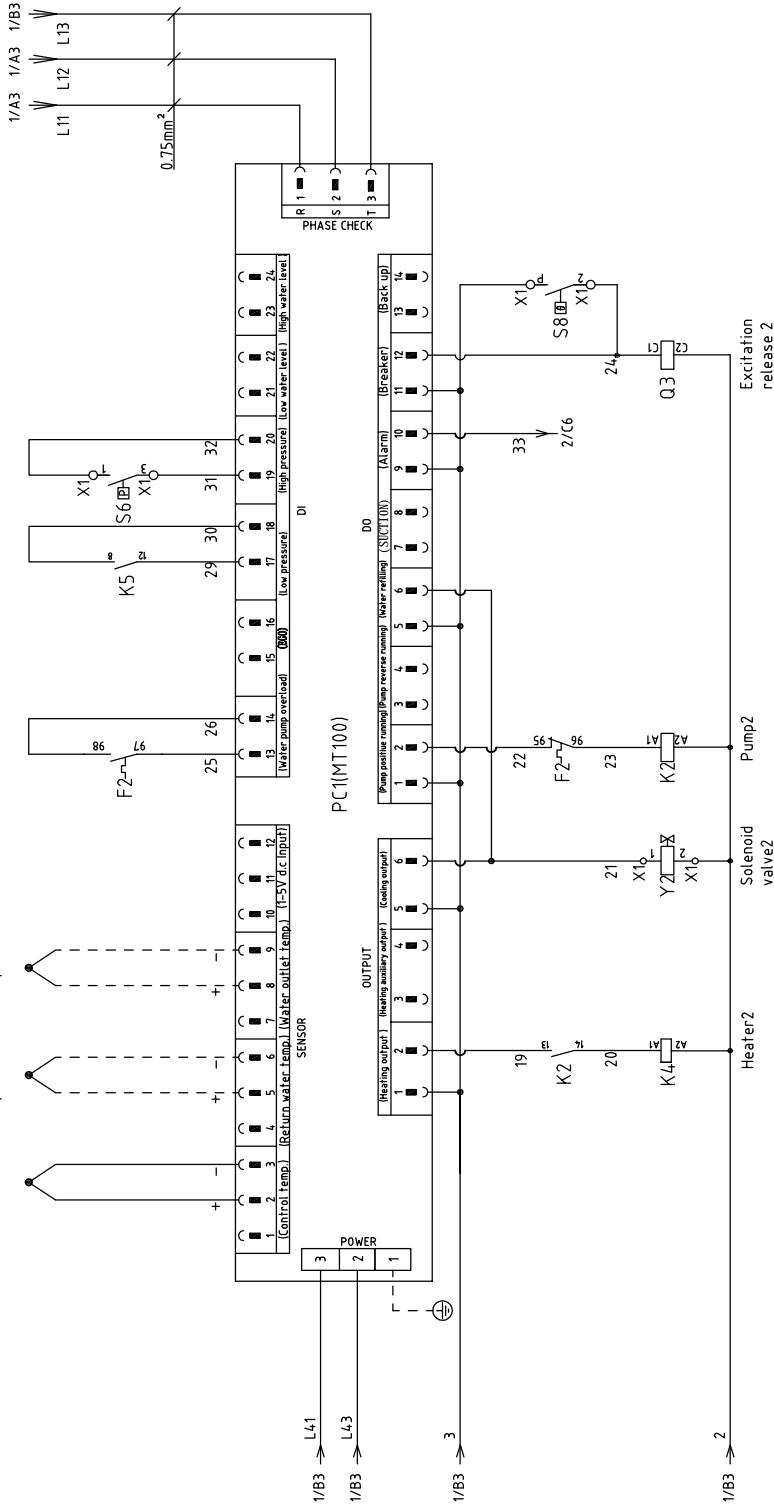


STM-910W-D 版本 Ver.E
 STM-910MW-D 版本 Ver.C

Mark	Before modification	After modification	Modify date	Checked by	Date	20170524
Designer	Proofread by	Approved by	Version	G	Title	STM-910W-D Control Circuit Diagram 1
Scale	Standard	CE	Page	2	Drawing NO.	STM-910W-D-CE-230V-G-2
Frequency	230V	50Hz	Totally	7	Pages	



S11 Thermocouple1 (Option)
 S12 Thermocouple2 (Option)
 S13 Thermocouple3 (Option)



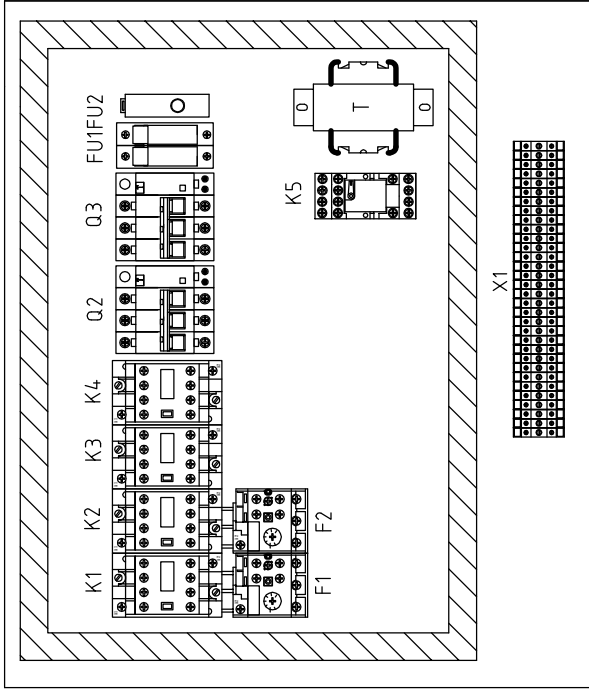
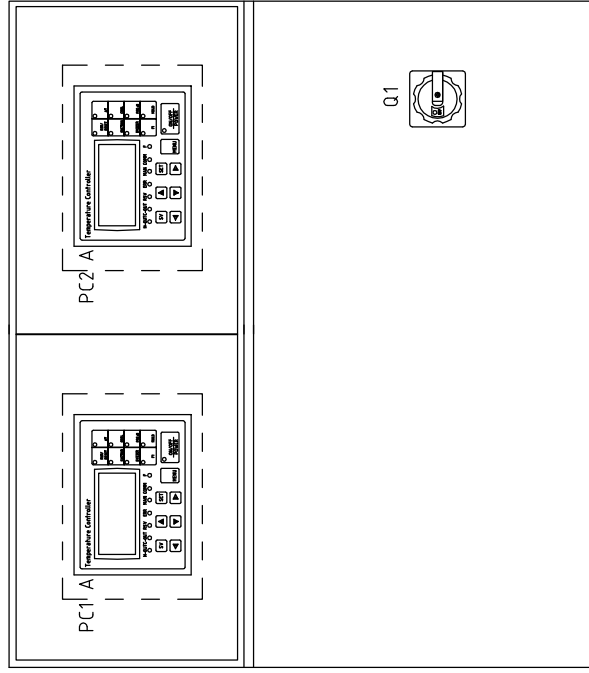
STM-910W-D 版本 Ver.E
 STM-910MW-D 版本 Ver.C

Scale	Page 3
Standard	Totally 7
Voltage	230V
Frequency	50Hz

Drawing NO. STM-910W-D-CE-230V-G-3	
Title	Control Circuit Diagram 2
Version	G
Designer	Approved by
Proofread by	Date 20170524
Modified by	Modify date
Before modification	Mark



1 2 3 4 5 6 7 8



A B C D

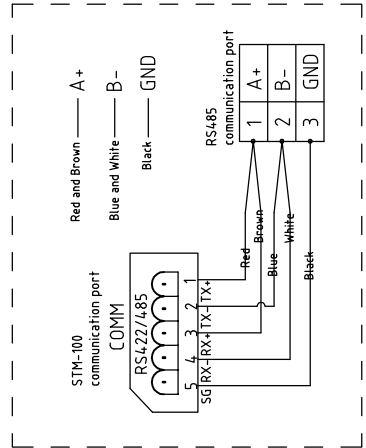
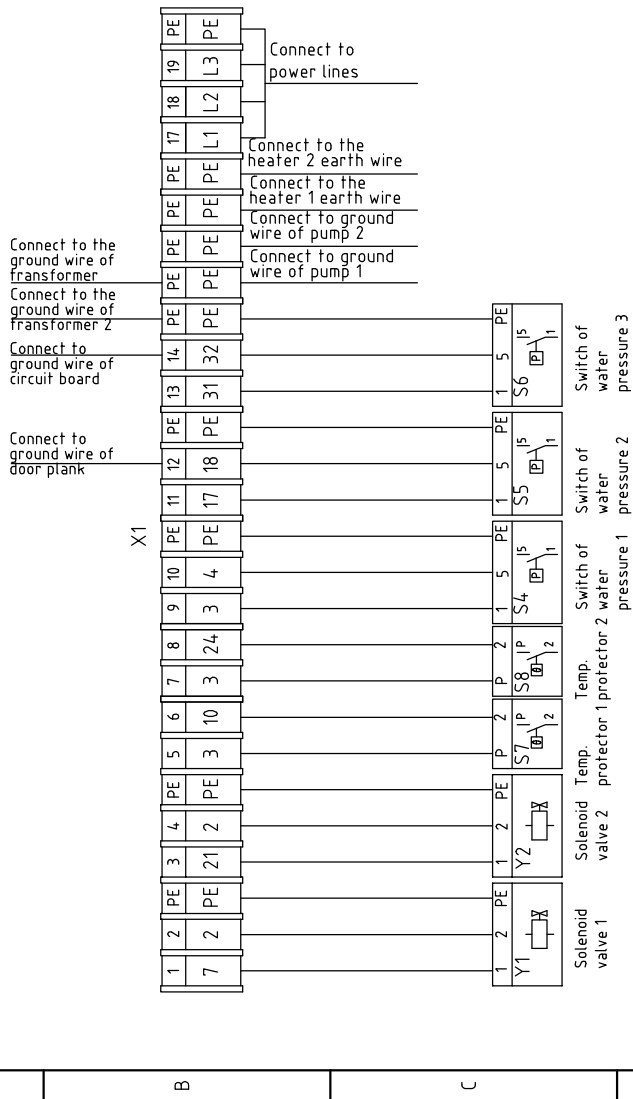
STM-910W-D 版本 Ver.E
STM-910MW-D 版本 Ver.C

Mark	Before modification	Modified by	Modify date	Checked by	Approved by	Version	G	Title	STM-910W-D	Drawing NO.	STM-910W-D-CE-230V-G-4	Scale	Page	4
	After modification							Electrical Components Layout				Standard	Totally	7
												Voltage		230V
												Frequency		50Hz

SHINI
信易电热机械股份有限公司
Shini Plastics Technologies, Inc.

1 2 3 4 5 6 7 8

A B C D



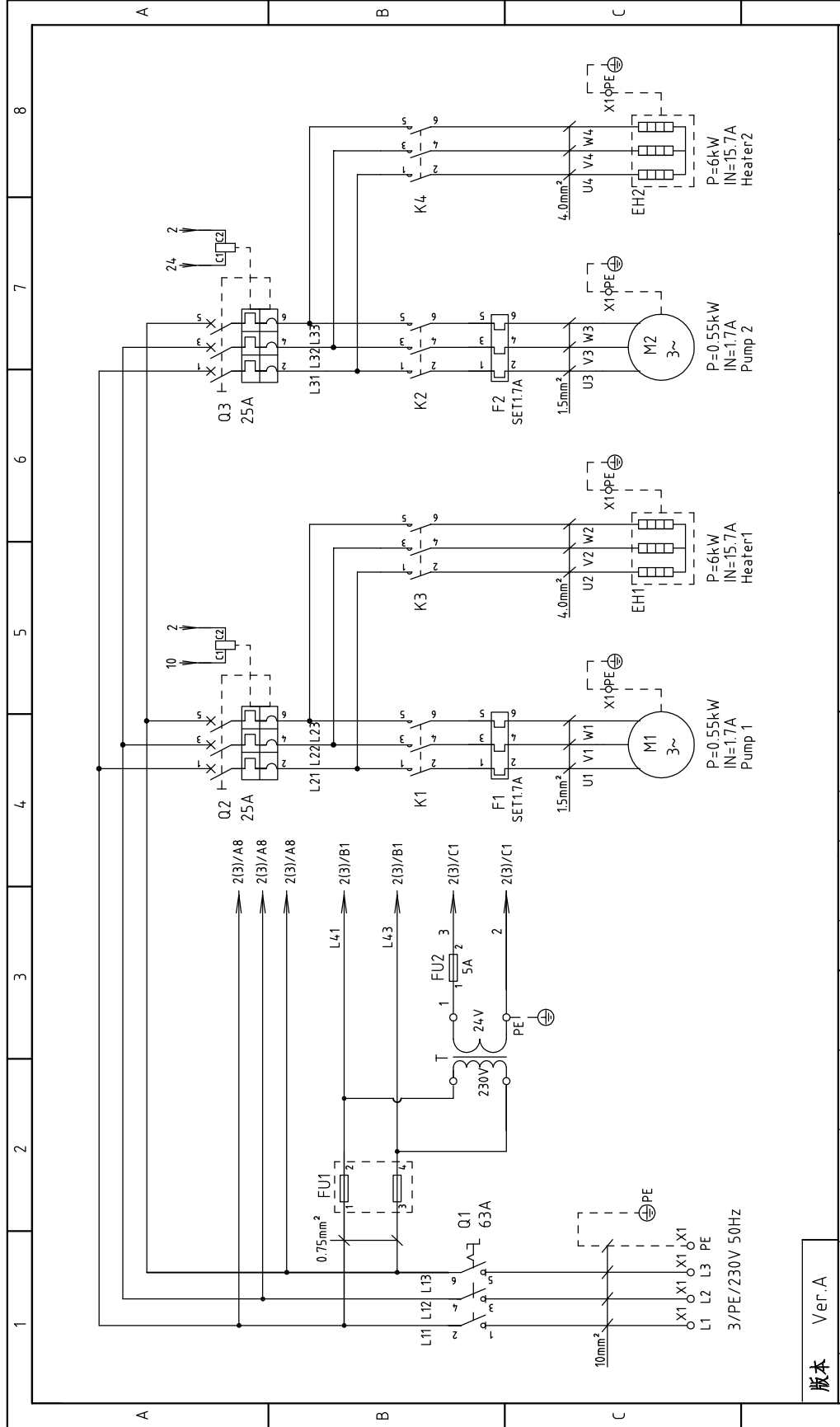
STM-910W-D	版本	Ver.E
STM-910MW-D	版本	Ver.C

Technical requirements: Pump and pipe heater should be directly connected to the output terminals of contactor and thermal overload relay.

Title		STM-910W-D		Drawing NO.		STM-910W-D-CE-230V-G-5		Scale		Page 5	
Thermocouple Wiring Diagram		Version		G		Standard		CE		Totally 7 Pages	
Date		20170524		Checked by		Voltage		230V		Frequency	
Before modification		After modification		Modify date		Frequency		50Hz		Page	



1		2		3	4	5	6	7	8		
No.	Symbol	Name	Manufacturer	Type	Specification	Number	Material number	Remark			
25		Terminal Board	HONEYWELL	6.0mm ² PE	----	2	YE60000603500				
26		Terminal Board	HONEYWELL	16.0mm ²	----	3	YE60001603200				
27		Terminal Board	HONEYWELL	16.0mm ² PE	----	1	YE600001603500		A		
29	M1 M2	Motor	SHINI	TP-75	230V 50Hz 0.75kW	2	----	(1)			
30	M1 M2	Motor	SHINI	MP-100	230V 50Hz 1.0kW	2	----	(1)(3)			
31	EH1 EHZ	Heater	SHINI	9kW	230V 50Hz	2	----	(1)			
32	S9	Communication interface board RS-485 (double Dsub-9pin connector)			PCS	1.000	YE9004.8501200				
33		Shell RS485(SAL-700G-A-1910)			PCS	1.000	YR4,004,850,000				
B											
C											
D											
Notes: (1)Means it's not the material inside the control box.(2)Means equipped with function of displaying water outlet and return water temperature. (3)Means equipped with magnetic pump.											
STM-910W-D 版本 Ver.E											
STM-910MW-D 版本 Ver.C											
			Drawer	Version	G	Title		Drawing NO.			
			Designer	Approved by		STM-910W-D		STM-910W-D-CE-230V-G-7			
			Proofread by			Electrical Components List 2					
			Checked by	Date	SHINI						
			Modified by	20170524	信易塑料机械股份有限公司						
			Modify date	Shini Plastics Technologies, Inc.							
Mark	Before modification	After modification			Scale	Page	Standard		Page		
					CE	7	CE		7		
					Voltage		230V				
					Frequency		50Hz				
1					2	3	4	5	6	7	8



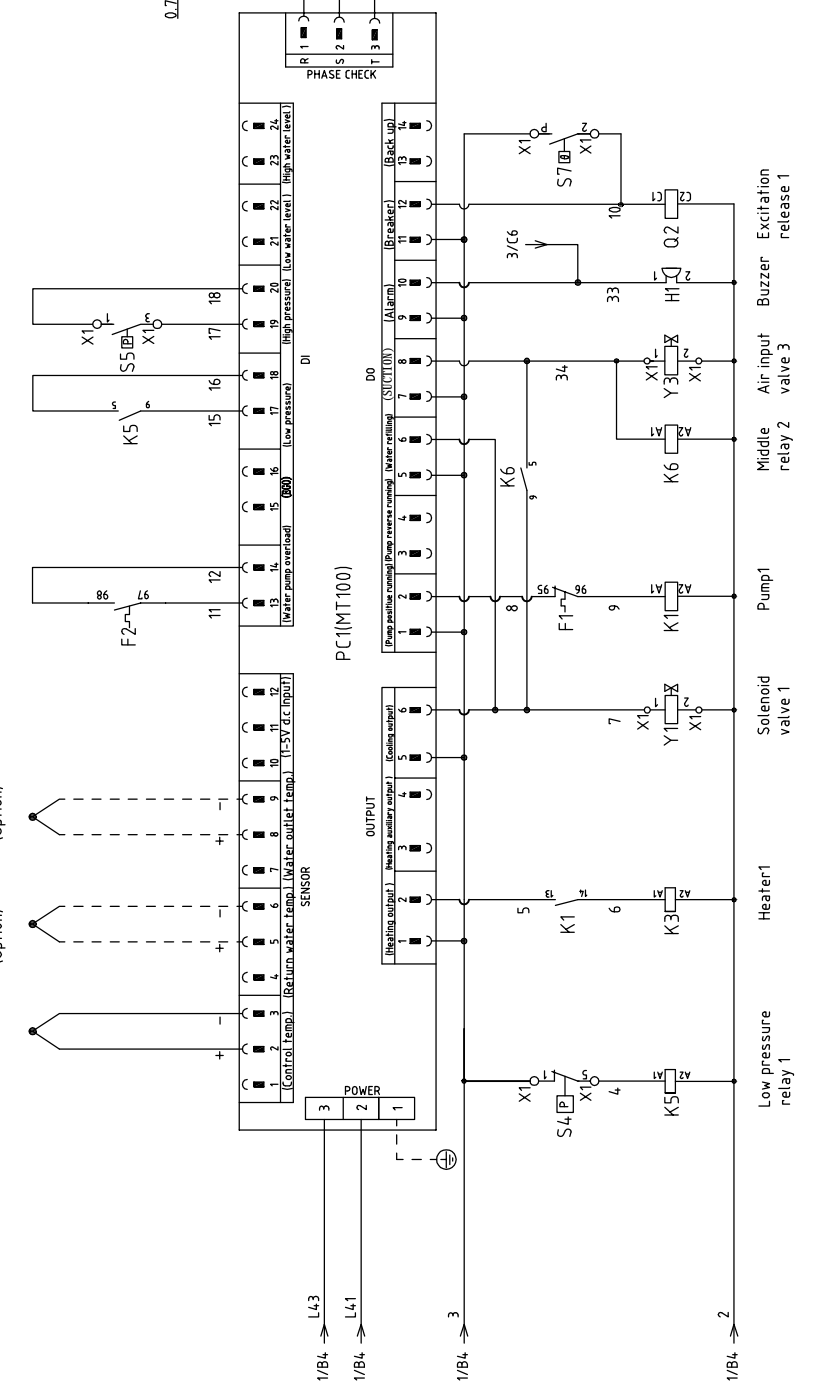
版本 Ver.A

Title		Drawing NO.		Scale	Page
STM-607WA-D		STM-607WA-D-CE-230V-0-1		CE	1
Main Circuit Diagram				Standard	Totally 7
				Voltage	230V
				Frequency	50HZ
Version	0	Designer	Approved by	Date	4
Drawer		Proofread by	Checked by	Modify Date	3
Mark		Before modification	After modification		2
Date		Date		Date	
20170804					



S1 Thermocouple1 (Option)
 S2 Thermocouple2 (Option)
 S3 Thermocouple3 (Option)

1/A4 1/A4 1/B4
 L11 L12 L13
 0.75mm²

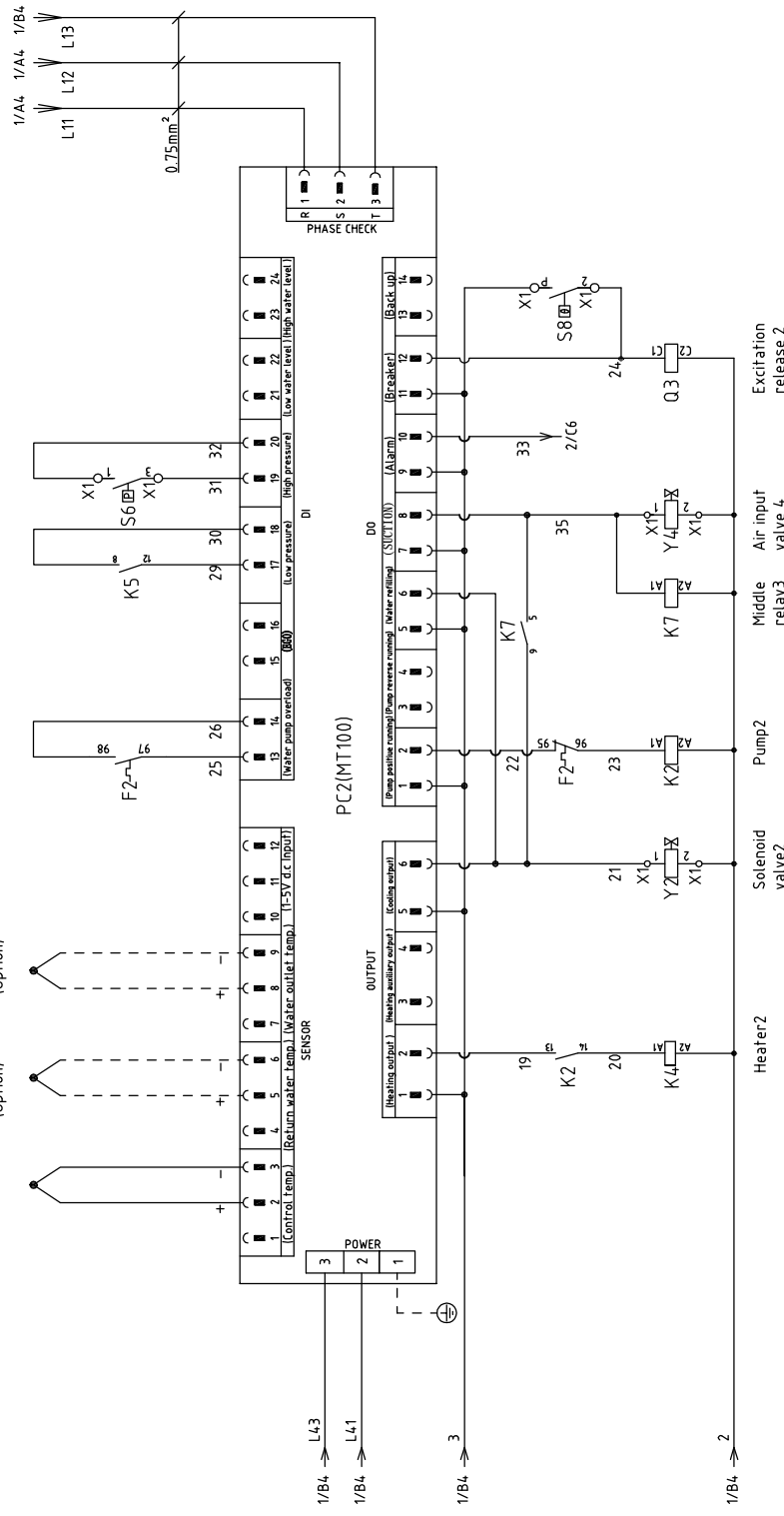


版本 Ver.A

Scale	Page	2
Standard	Totally	7
CE	Voltage	230V
	Frequency	50Hz
Drawing NO. STM-607WA-D-CE-230V-0-2		
Title STM-607WA-D Control Circuit Diagram 1		
Drawer	Version	0
Designer	Approved by	
Proofread by	Date	20170804
Modified by	Modify date	
Mark	After modification	



S11 Thermocouple11
 S12 Thermocouple12
 S13 Thermocouple13
 (Option)

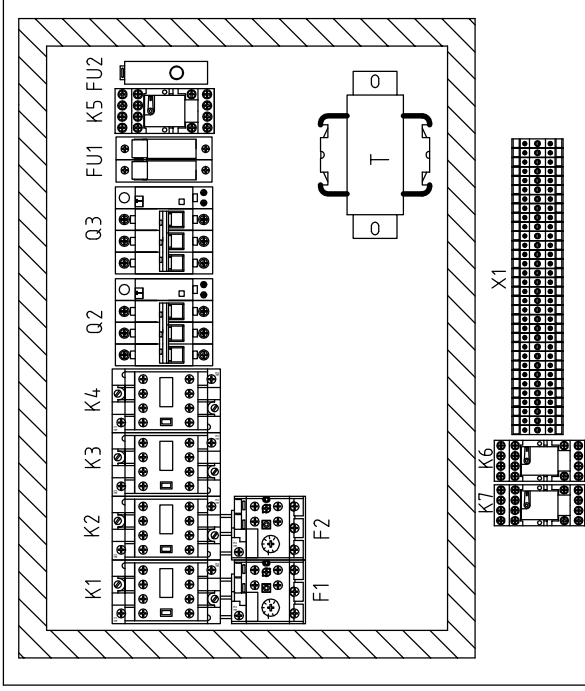
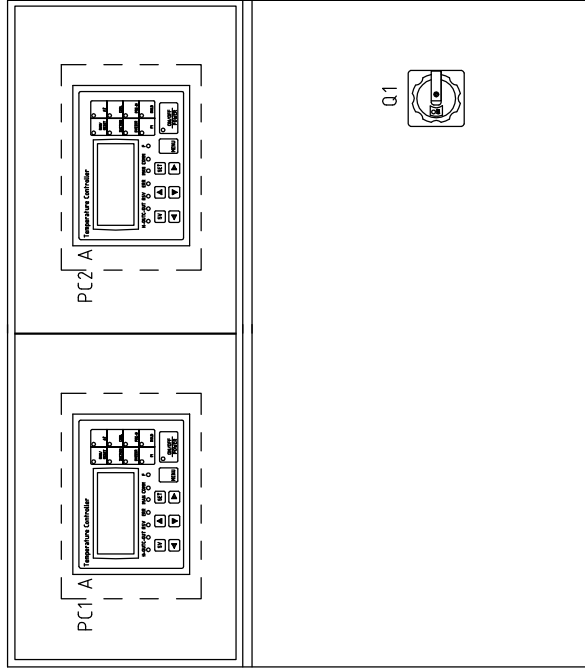


版本 Ver.A

Mark	Before modification	Modified by	20170804	4	5	6	7	8
Check by		Date	20170804	4	5	6	7	8
Proofread by		Approved by		4	5	6	7	8
Designer		Version	0	4	5	6	7	8
Drawer		Title	STM-607WA-D Control Circuit Diagram 2	4	5	6	7	8
Scale		Drawing NO.	STM-607WA-D-CE-230V-0-3	4	5	6	7	8
Standard	CE	Page	3	4	5	6	7	8
Voltage	230V	Totally	7	4	5	6	7	8
Frequency	50Hz	Pages	7	4	5	6	7	8



1 2 3 4 5 6 7 8



版本 Ver.A

Mark	Before modification	Modified by	Modify date	Checked by	Date	20170804	Version	0	Title	STM-607WA-D	Drawing NO.	Scale	Page	4
	After modification	Modified by	Modify date	Proofread by	Approved by		Designer		Electrical Components Layout	STM-607WA-D-CE-230V-0-4	Standard	CE	Totally	7
													Voltage	230V
													Frequency	50Hz

SHINI 信易塑料机械股份有限公司
Shini Plastics Technologies, Inc.

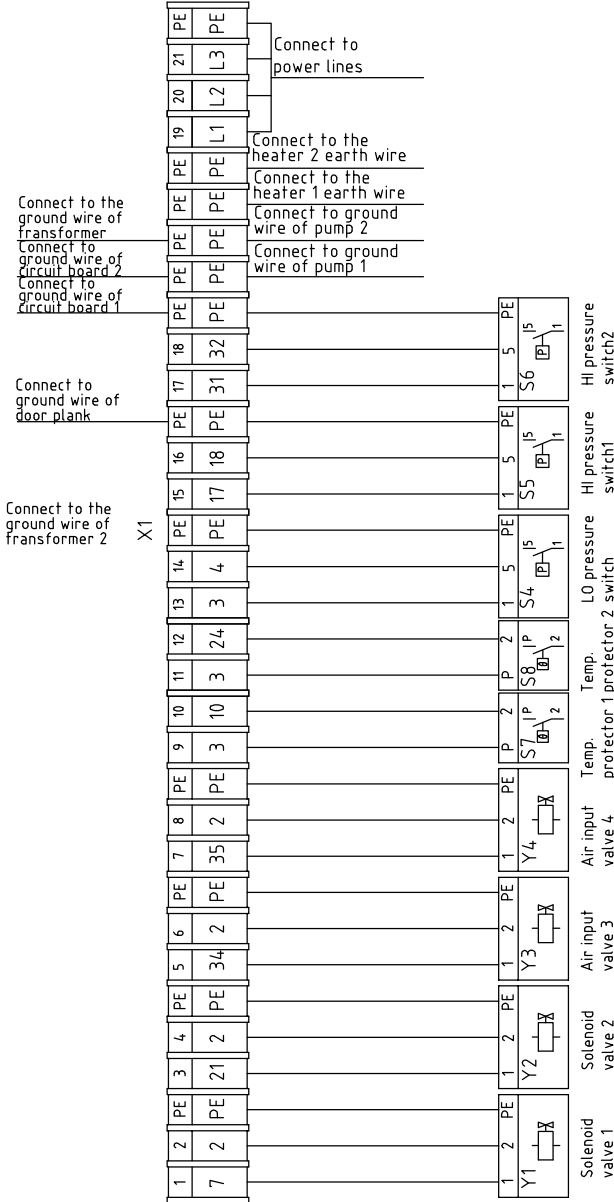
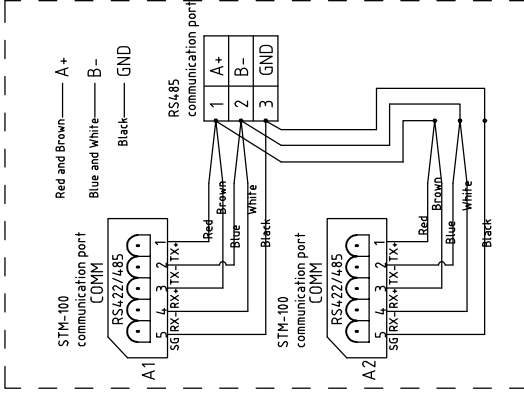
1 2 3 4 5 6 7 8

A

B

C

D



版本 Ver.A


Technical requirements: Pump and pipe heater should be directly connected to the output terminals of contactor and thermal overload relay.

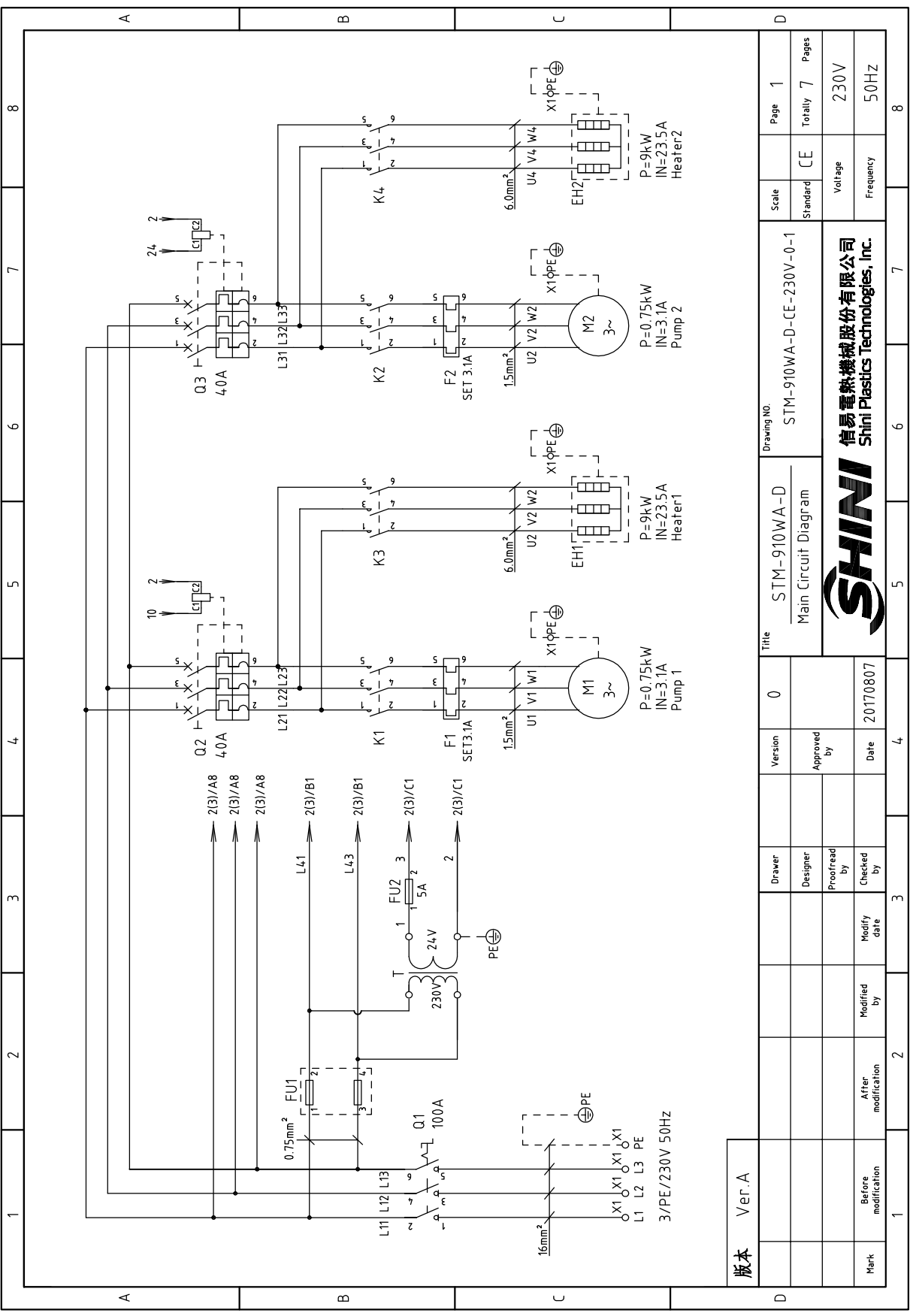
Title		Drawing NO.		Scale	Page
STM-607WA-D		STM-607WA-D-CE-230V-0-5		Standard	7
Thermocouple Wiring Diagram		CE		Voltage	230V
Date		Frequency		50HZ	
20170804		5		8	
Version		0		Totally	
Approved by		S5		7	
Checked by		S6		Pages	
Modify date		S7		Totally	
After modification		S8		7	
Before modification		P		Pages	
1		3		Totally	
2		4		7	
3		5		Pages	
4		6		Totally	
5		7		7	
6		8		Pages	
7		9		Totally	
8		10		7	



1		2		3		4		5		6		7		8	
NO.	Symbol	Name	Manufacturer	Type	Specification	Number	Material number	Remark							
1	Q1	Main Switch	EATON	P3-63/EA/SVB	63A	1	YE10636300000								
2	Q2 Q3	Circuit Breakers	TECO	BM-63C	25A	2	YE40302503000								
3		Excitation Release	YECO	MX	24VAC	2	YE40024000000	A							
4	K1 K2	Contactors	SIEMENS	3RT6015-1AB01	24VAC	2	YE00601502500								
5	K3 K4	Contactors	SIEMENS	3RT6026-1AC20	24VAC	2	YE00602602600								
6	K5 K6 K7	Middle Relay	HONEYWELL	GR-2C-AC24V	24VAC	3	YE03022400300								
7	F1 F2	Overload Relays	SIEMENS	3RU6116-1BB0	1.4-2A	2	YE01160140000								
8	T	Transformer	BAIYUN	IN=230V OUT=24VAC	120VA	1	YE70023005500								
9	FU1	Fuse Base	CHINT	RT28-32	32A 2P	1	YE41032200000								
10		Fuse Core	MRO	10×38 500V	2A	2	YE46002000100								
11	FU2	Fuse	YINDA	FS-10	----	1	YE41001000000	B							
12		Fuse	----	6×30/5A	5A	1	YE46630500100								
13	PC1 A PC2 A	Circuit Board	HANYOUNGNUX	STM100-211(with the communication)	180~4.30V 50/60Hz	2	YE81184300200								
14	H1	Buzzer	----	PK-35A	24VAC/DC	1	YE840035000600								
15	S1 S11	Thermocouple	SHINI	----	----	2	----	(1)							
16	S2 S3 S12 S13	Thermocouple	SHINI	----	----	4	----	(1)(2)							
17	S7 S8	Overheat Protector	TONCEAO	----	----	2	----	(1)							
18	S4 S5 S6	Switch of water pressure	FANSHEN	----	----	3	----	(1)							
19	Y1 Y2 Y3 Y4	Solenoid Valve	----	----	24VAC	4	----	(1)							
20	X1	Terminal Board	HONEYWELL	2.5mm ²	----	18	YE60002503200								
21		Terminal Board	HONEYWELL	2.5mm ² PE	----	9	YE60002503400								
22		Terminal Board	HONEYWELL	4.0mm ² PE	----	2	YE60000403500								
23		Terminal Board	HONEYWELL	10.0mm ²	----	3	YE60001003200								
24		Terminal Board	HONEYWELL	10.0mm ² PE	----	1	YE60001003500								
25	M1 M2	Motor	SHINI	TP-55	230V 50Hz 0.55kW	2	----	(1)							
版本 Ver.A		Notes: (1)Means it's not the material inside the control box.(2)Means equipped with function of displaying water outlet and return water temperature.													
		Drawer		Version		Title		Drawing NO.		Scale		Page		D	
				0		STM-607WA-D		STM-607WA-D		Electrical Components List 1		STM-607WA-D-CE-230V-0-6		CE	
		Designer		Approved by								Voltage		230V	
		Proofread by		Date		20170804						Frequency		50Hz	
Mark		Before modification		Modified by		Modify date									
1		2		3		4		5		6		7		8	



1		2		3		4		5		6		7		8																																																																																																							
NO.	Symbol	Name		Manufacturer	Type	Specification		Number	Material number		Remark																																																																																																										
26	EH1 EH2	Heater		SHINI	6kw	230V 50Hz		2	----	(1)																																																																																																											
27	S9	Communication interface board RS-485 (double Dsub-9pin connector)				PCS		1.000	YE90048501200																																																																																																												
28		Shell RS485(SAL-700G-A-1910)				PCS		1.000	YR4,0048500000	A																																																																																																											
A																																																																																																																					
B																																																																																																																					
C																																																																																																																					
D																																																																																																																					
版本 Ver.A Notes: (1)Means it's not the material inside the control box.(2)Means equipped with function of displaying water outlet and return water temperature.																																																																																																																					
<table border="1"> <tr> <td colspan="3">Title</td> <td colspan="3">Version</td> <td colspan="3">Drawing NO.</td> <td colspan="3">Scale</td> <td colspan="3">Page</td> </tr> <tr> <td colspan="3">STM-607WA-D</td> <td colspan="3">0</td> <td colspan="3">STM-607WA-D</td> <td colspan="3">Electrical Components List 2</td> <td colspan="3">STM-607WA-D-CE-230V-0-7</td> <td colspan="3">7</td> </tr> <tr> <td colspan="3">Designer</td> <td colspan="3">Approved by</td> <td colspan="3">Proofread by</td> <td colspan="3">Standard</td> <td colspan="3">Voltage</td> <td colspan="3">Pages</td> </tr> <tr> <td colspan="3"></td> <td colspan="3"></td> <td colspan="3"></td> <td colspan="3">CE</td> <td colspan="3">230V</td> <td colspan="3">7</td> </tr> <tr> <td colspan="3">Modified by</td> <td colspan="3">Date</td> <td colspan="3">Checked by</td> <td colspan="3">Frequency</td> <td colspan="3">50Hz</td> <td colspan="3"></td> </tr> <tr> <td colspan="3">After modification</td> <td colspan="3">20170804</td> <td colspan="3"></td> <td colspan="3"></td> <td colspan="3"></td> <td colspan="3"></td> </tr> </table>													Title			Version			Drawing NO.			Scale			Page			STM-607WA-D			0			STM-607WA-D			Electrical Components List 2			STM-607WA-D-CE-230V-0-7			7			Designer			Approved by			Proofread by			Standard			Voltage			Pages												CE			230V			7			Modified by			Date			Checked by			Frequency			50Hz						After modification			20170804														
Title			Version			Drawing NO.			Scale			Page																																																																																																									
STM-607WA-D			0			STM-607WA-D			Electrical Components List 2			STM-607WA-D-CE-230V-0-7			7																																																																																																						
Designer			Approved by			Proofread by			Standard			Voltage			Pages																																																																																																						
									CE			230V			7																																																																																																						
Modified by			Date			Checked by			Frequency			50Hz																																																																																																									
After modification			20170804																																																																																																																		
 SHINI 信易电热机械股份有限公司 Shini Plastics Technologies, Inc.																																																																																																																					
1		2		3		4		5		6		7		8																																																																																																							

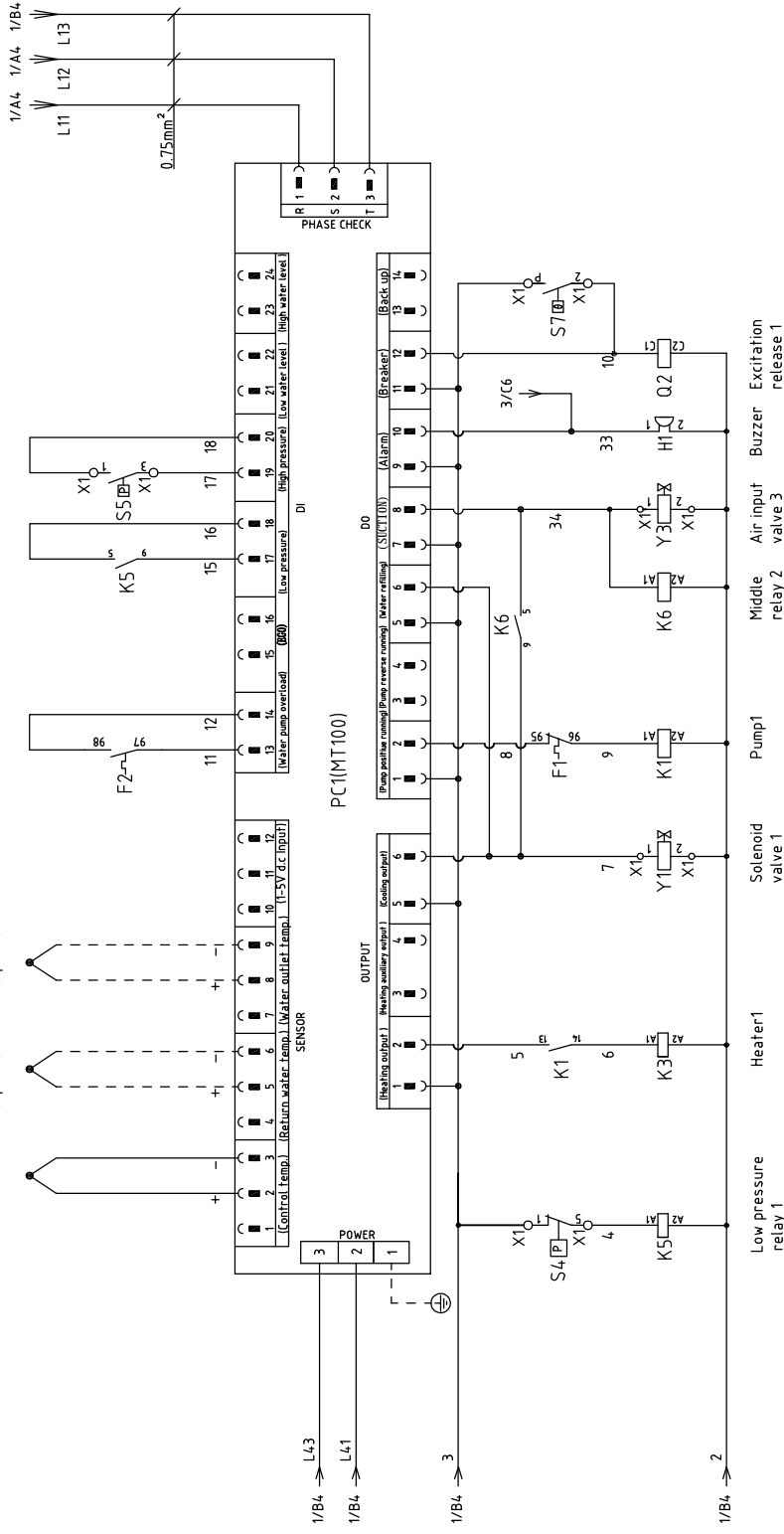


版本 Ver.A

Mark	Before modification	Modified by	Modify Date	Checked by	Designer	Drawer	Version	0	Title	STM-910WA-D	Drawing No.	STM-910WA-D-CE-230V-0-1	Scale	CE	Page	1		
	After modification						Approved by		Main Circuit Diagram				Standard		Totally	7		
																	Pages	
																		230V
																		50Hz



S1 Thermocouple1
S2 Thermocouple2 (Option)
S3 Thermocouple3 (Option)



版本 Ver.A

Mark	Before modification	After modification	Modified by	20170807	Date	20170807	Date	20170807	Date	20170807	Date
Designer			Approved by		Version	0	Title	STM-910WA-D	Drawing NO.	STM-910WA-D-CE-230V-0-2	Scale
Proofread by					Standard	CE	Control Circuit Diagram 1		Standard	CE	Page
Checked by											2
Modified by											Totally
After modification											7
Before modification											Pages
											230V
											50Hz



S11 Thermocouple11
 S12 Thermocouple12
 S13 Thermocouple13
 (Option)
 (Option)
 (Option)

1/A4 1/A4 1/B4
 L11 L12 L13

0.75mm²

1/B4 L4.3
 1/B4 L4.1
 1/B4 3
 1/B4 2

POWER
 3 2 1

PHASE CHECK
 R 1
 S 2
 T 3

DI
 25 26 29 30 31 32
 (Water pump overload) (Low pressure) (High pressure) (Low water level) (High water level)

DO
 19 20 21 22 23 24 33 35
 (Heating output) (Heating water output) (Cooling output) (Pump positive voltage) (Pump reverse voltage) (Water filling) (S/C/T/TO) (Back-up) (Alarm) (Brake)

PC2(MT100)

Heater2 Solenoid valve2 Pump2 Middle relay3 Air input valve 4 Excitation release 2

K2 K4 K7 K5 X1 X10 X19 X10 Y2 Y4 X10 X10 X10 X10

F2 F2

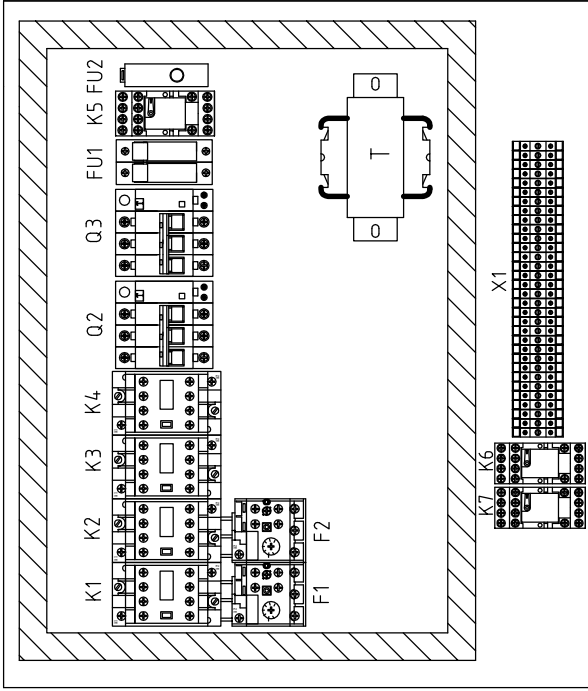
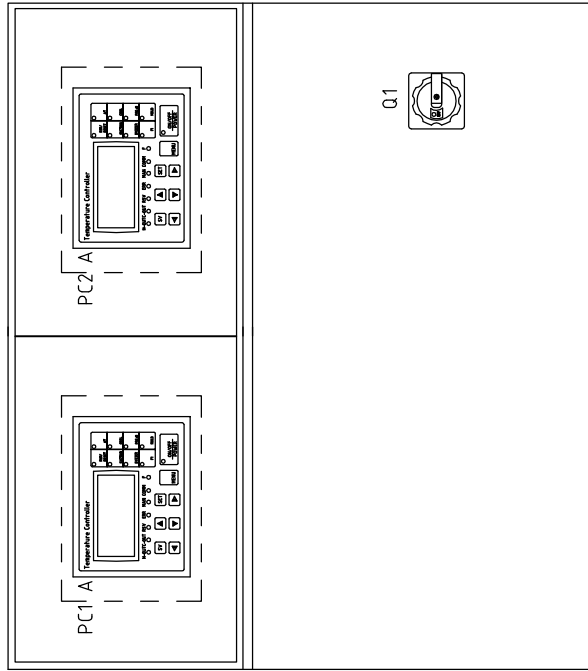
0.3

版本 Ver.A

Mark	Before modification	Modified by	Modify date	Checked by	Date	20170807
Designer		Proofread by		Approved by		
Drawer		Version	0	Title	STM-910WA-D	
				Drawing NO.	STM-910WA-D-CE-230V-0-3	
				Scale	CE	Page 3
				Standard	Voltage	Totally 7 Pages
					Frequency	230V
						50Hz



1 2 3 4 5 6 7 8



A B C

版本 Ver.A

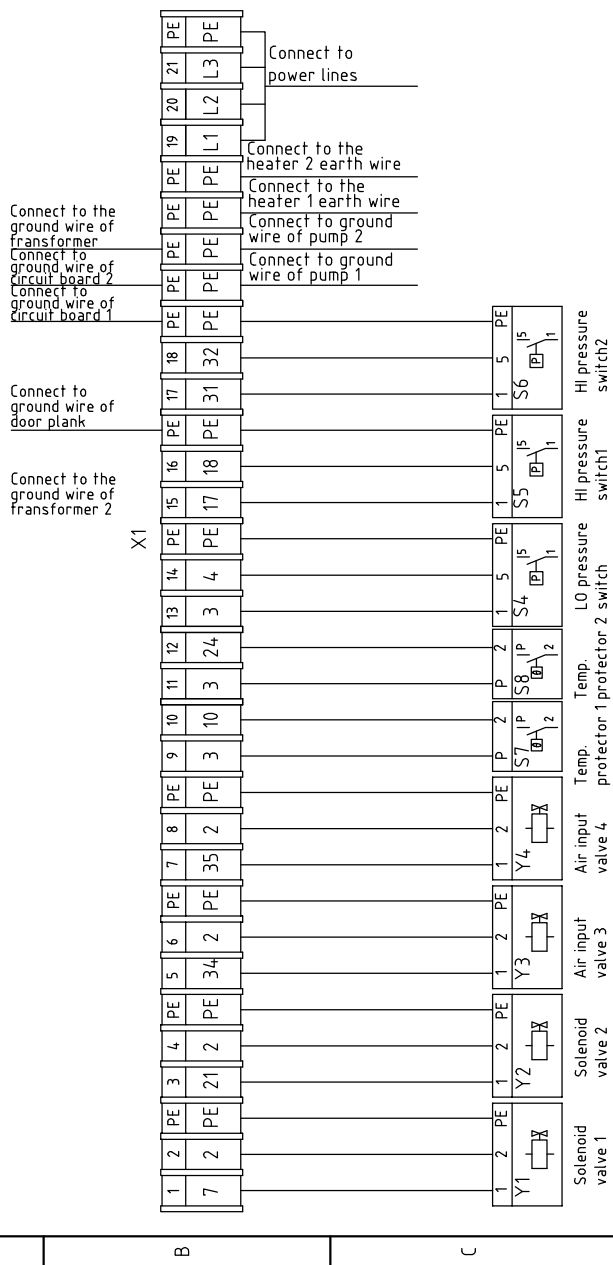
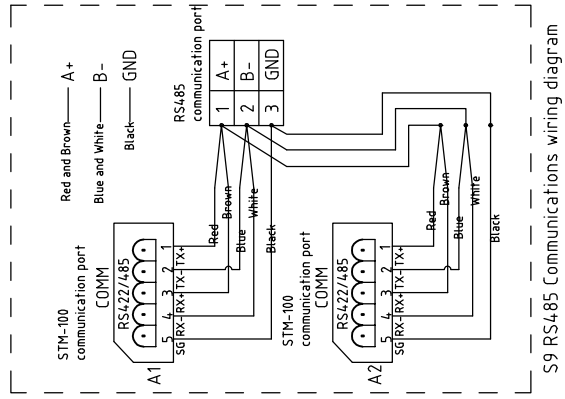
Mark	Before modification	Modified by	Modify date	Checked by	Date	20170807	Title STM-910WA-D Electrical Components Layout	Drawing NO. STM-910WA-D-CE-230V-0-4	Scale	Page
	After modification	Modified by	Modify date	Checked by	Date	20170807			Standard	Totally
							CE		230V	4
									Frequency	7
									50Hz	



1 2 3 4 5 6 7 8

1 2 3 4 5 6 7 8

A B C D



版本 Ver.A

Technical requirements: Pump and pipe heater should be directly connected to the output terminals of contactor and thermal overload relay.

Mark	Before modification	Modified by	Modify date	Checked by	Date	Proofread by	Designer	Version	0	Title	Drawing NO.		Page	5		
	After modification										Standard	CE			Totally	7
											STM-910WA-D		Scale		Voltage	
											STM-910WA-D-CE-230V-0-5		Standard		Frequency	
											SHINI		Voltage		230V	
											信易电热机械股份有限公司		Frequency		50Hz	
											Shini Plastics Technologies, Inc.					

1 2 3 4 5 6 7 8

1	2		3	4	5	6	7	8	
NO.	Symbol	Name	Manufacturer	Type	Specification	Number	Material number	Remark	
1	Q1	Main Switch	EATON	P3-100/EA/SVB100A	100A	1	YE10010000000		
2	Q2 Q3	Circuit Breakers	TECO	BM-63C	40A	2	YE40304-003000		
3		Excitation Release	TECO	MX	24VAC	2	YE40024-000000	A	
4	K1 K2	Contactors	SIEMENS	3RT6015-1AB01	24VAC	2	YE00601502500		
5	K3 K4	Contactors	SIEMENS	3RT6027-1AC20	24VAC	2	YE00602702600		
6	K5 K6 K7	Middle Relay	HONEYWELL	GR-2C-AC24V	24VAC	3	YE03022400300		
7	F1 F2	Overload Relays	SIEMENS	3RU6116-1EB0	2.8-4A	2	YE01160280000		
8	T	Transformer	BAIYUN	IN=230V OUT=24VAC	120VA	1	YE70023005500		
9	FU1	Fuse Base	CHNT	RT28-32	32A 2P	1	YE41032200000		
10		Fuse Core	MRO	10×38 500V	2A	2	YE46002000100		
11	FU2	Fuse	YINDA	FS-10	----	1	YE41001000000	B	
12		Fuse	----	6×30/5A	5A	1	YE46630500100		
13	PC1 A PC2 A	Circuit Board	HANYOUNGNUX	STM100-21(With the communication)	180°-4.30V 50/60Hz	2	YE81184300200		
14	H1	Buzzer	----	PK-35A	24VAC/DC	1	YE840035000600		
15	S1 S11	Thermocouple	SHINI	----	----	2	----	(1)	
16	S2 S3 S12 S13	Thermocouple	SHINI	----	----	4	----	(1)(2)	
17	S7 S8	Overheat Protector	TONCEAO	----	----	2	----	(1)	
18	S4 S5 S6	Switch of Water Pressure	FANSHEN	----	----	3	----	(1)	
19	Y1 Y2 Y3 Y4	Solenoid Valve	----	----	24VAC	4	----	(1)	
20	X1	Terminal Board	HONEYWELL	2.5mm ²	----	18	YE60002503200		
21		Terminal Board	HONEYWELL	2.5mm ² PE	----	9	YE60002503400		
22		Terminal Board	HONEYWELL	6.0mm ² PE	----	2	YE60000603500		
23		Terminal Board	HONEYWELL	16.0mm ²	----	3	YE60001603200		
24		Terminal Board	HONEYWELL	16.0mm ² PE	----	1	YE60001603500		
25	M1 M2	Motor	SHINI	TP-75	230V 50Hz 0.75kW	2	----	(1)	
版本 Ver.A		Notes: (1)Means it's not the material inside the control box.(2)Means equipped with function of displaying water outlet and return water temperature.							
		Drawer	Version	Title		Drawing NO.		Scale	Page
		Designer	0	STM-910WA-D		STM-910WA-D-CE-230V-0-6		Standard	6
		Proofread by	Approved by	Electrical Components List 1				CE	Totally 7
		Checked by	Date					Voltage	230V
		Modified by	20170807					Frequency	50Hz
		Modify date							
Mark		Before modification							8
1		2		3	4	5	6	7	8



1		2		3		4		5		6		7		8	
NO.	Symbol	Name	Manufacturer	Type	Specification	Number	Material number	Remark							
26	EH1 EH2	Heater	SHINI	9kW	230V 50Hz	2	----	(1)							
27	S9	Communication interface board RS-485 (double Dsub-9pin connector)			PCS	1.000	YE9004.8501200								
29		Shell RS485(SAL-700G-A-19)0			PCS	1.000	YR4.004.8500000								
A															
B															
C															
D															
版本 Ver.A Notes: (1)Means it's not the material inside the control box.(2)Means equipped with function of displaying water outlet and return water temperature.															
										Drawing NO.		Scale		Page	
										STM-910WA-D		STM-910WA-D-CE-230V-0-7		7	
										Electrical Components List 2		CE		7	
										Version		0		Voltage	
										Designer		Approved by		230V	
										Proofread by		Date		50Hz	
										Checked by		20170807			
										Modified by					
										Modify date					
										Before modification					
										After modification					
										SHINI		信易电热机械股份有限公司		Shini Plastics Technologies, Inc.	
										5		6		7	
										1		2		3	
										4		5		6	
										7		8		9	