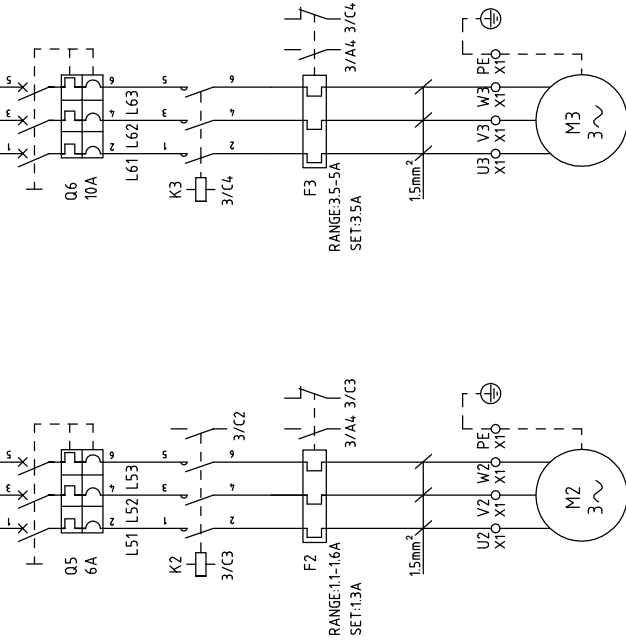
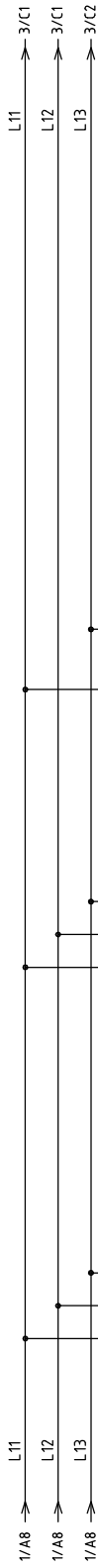


整机版本 Ver.D

Mark	Before modification	After modification	Modify Date	Checked by	Version	E	Title	Drawing NO.	Scale	Page 1
					Approved by	SCD-20U(40U)/30H-OP Main Circuit Diagram 1	Standard			
										Voltage
										Frequency
										400V
										50Hz






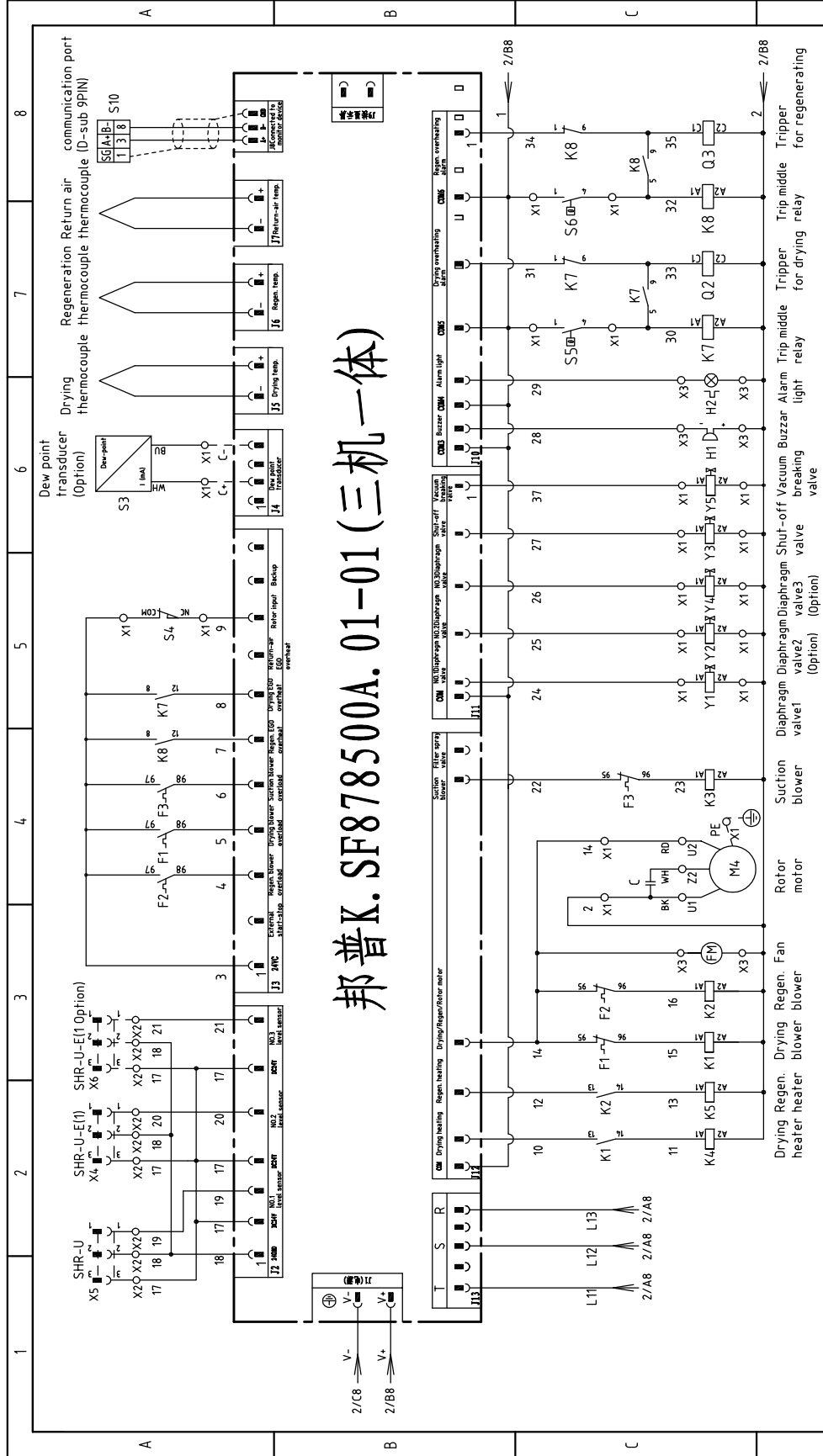
P=0.4kW
IN=1.3A
Regeneration blower

P=15kW
IN=3.5A
Suction blower

整机版本Ver.D

Mark	Before modification	After modification	Modify Date	Checked by	Approved by	Version	E	Title	Drawing NO.	Scale	Page
										Standard	CE
								SCD-20U(4.0U)/30H-OP Main Circuit Diagram 2	SCD-20U(4.0U)/30H-OP-PUNP-CE-400V-E-2	Standard	2
								 信易电热机械股份有限公司 Shini Plastics Technologies, Inc.		Voltage	4.00V
										Frequency	50HZ
1	2	3	4	5	6	7	8				

邦普K.SF878500A.01-01 (三机一体)

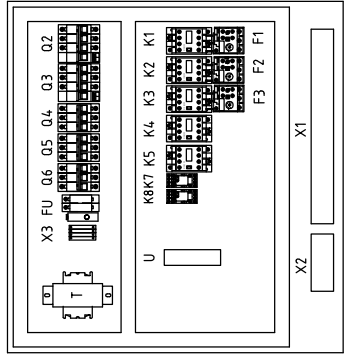
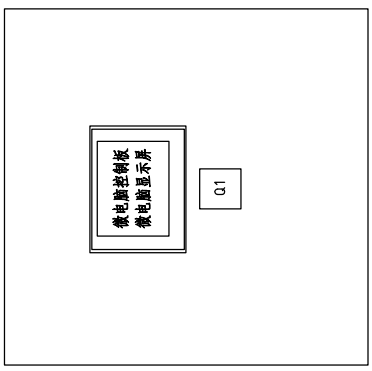


整机版本 Ver.D

Note: When M2 is not adopted, substitute No. 24 wire for No. 25 as well as No.26, and then connect it to diaphragm valve 1.

Title	SCD-20U(40U)/30H-OP		Drawing NO.	Page 3
	Control Circuit Diagram		Standard	Totally 6 Pages
Version	E		Scale	Voltage 4.00V
Approved by	CE		Frequency	50HZ
Designer	20170620			
Proofread by				
Checked by				
Modified by				
Modify date				
Before modification				
Mark				





PE 5	4	3	2	1	Connect to cooling fan
PE 14	2	29	2	28	Connect to alarm light
PE 3	2	1			Connect to buzzer
X3					
PE 18	18	17	17	17	Connect to material level sensor 1
PE 17	17	17	17	17	Connect to material level sensor 2
PE 21	19	20	1	1	Connect to material level sensor 3 (Option)
PE 3	2	1			
PE 21	19	20	17	17	
PE 18	18	18	18	18	
PE 36	35	34	33	32	Connect to dew point sensor(option)
PE 33	33	33	33	33	
PE 32	32	32	32	32	Connect to diaphragm valve 1
PE 25	2	2	2	2	Connect to diaphragm valve 2 (Option)
PE 26	2	2	2	2	Connect to diaphragm valve 3 (Option)
PE 27	2	2	2	2	Connect to shut-valve
PE 28	27	27	27	27	
PE 38	37	37	37	37	Connect to vacuum breaking valve
PE 37	2	2	2	2	
PE 24	23	23	23	23	Connect to rotor limit switch
PE 3	9	1	30	1	Connect to drying EGO S5
PE 24	23	23	23	23	
PE 19	18	18	18	18	Connect to regeneration EGO S6
PE 18	18	18	18	18	
PE 16	16	16	16	16	Connect to drying blower
PE 15	14	13	13	13	
PE 16	16	16	16	16	Connect to regeneration blower
PE 15	14	13	13	13	
PE 12	11	10	10	10	Connect to suction motor
PE 11	10	10	10	10	
PE 9	9	9	9	9	Connect to regeneration heater
PE 8	8	8	8	8	
PE 7	7	7	7	7	Connect to drying heater
PE 6	6	6	6	6	
PE 5	5	5	5	5	Connect to power lines
PE 4	4	4	4	4	
PE 3	3	3	3	3	
PE 2	2	2	2	2	
PE 1	1	1	1	1	

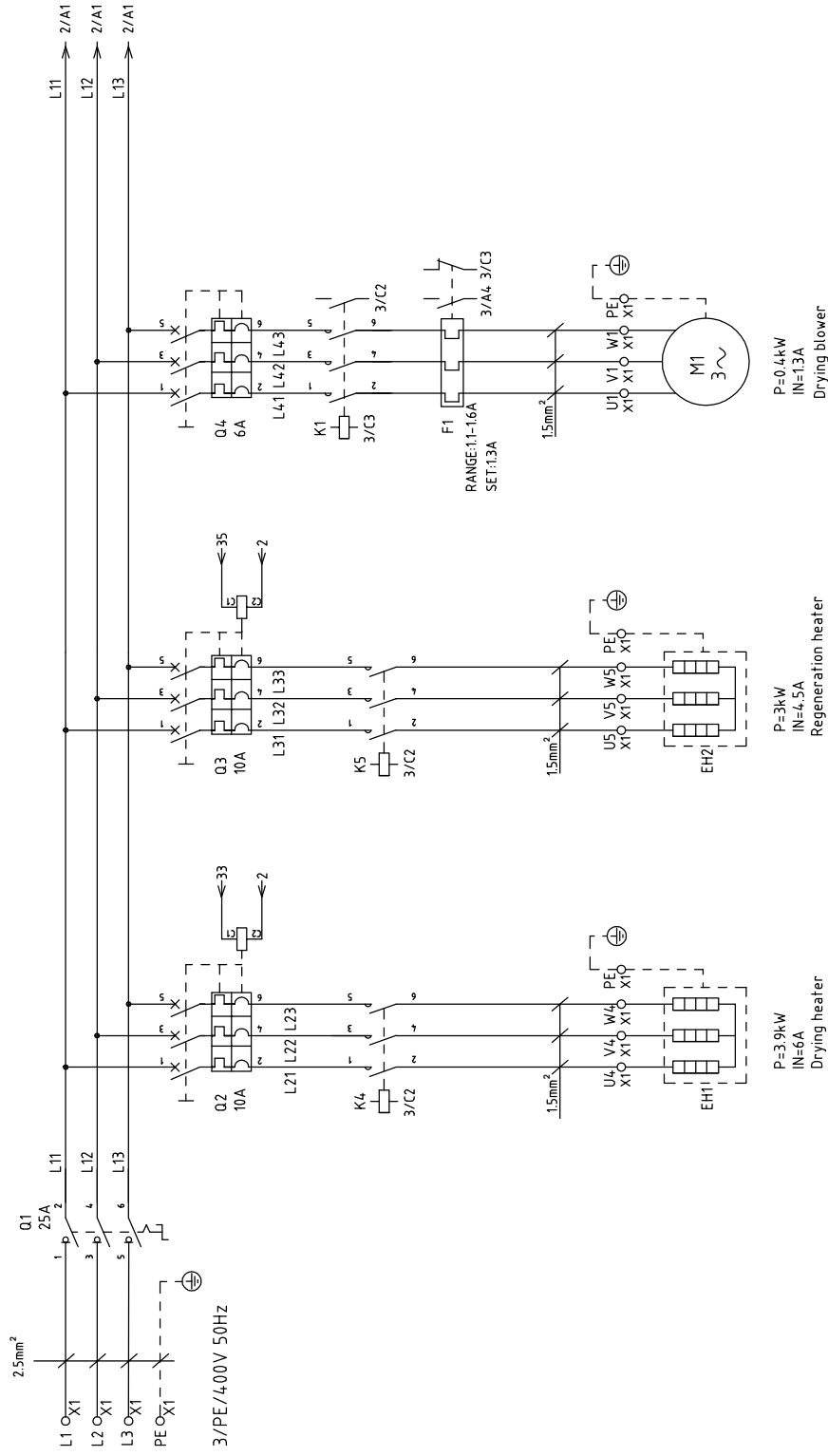
整机版本 Ver.D

Mark	Before modification	After modification	Modified by	Modified date	Checked by	Proofread by	Designer	Drawer	Version	E	Title	Scale		Page
1											SCD-20U(4.0U)/30H-OP Electrical Components Layout	Standard	CE	4
2											SCD-20U(4.0U)/30H-OP	Brand	CE	Totally 6
3											SHINI Shini 信易		Voltage	400V
4											SHINI Shini 信易		Frequency	50HZ
5	20170620										SHINI Shini 信易		Frequency	50HZ
6											SHINI Shini 信易		Voltage	400V
7											SHINI Shini 信易		Frequency	50HZ
8											SHINI Shini 信易		Frequency	50HZ

1		2		3		4		5		6		7		8	
NO.	Symbol	Name	Manufacturer	Type	Specification	Number	Material number	Remark							
1	Q1	Main power switch	EATON	P1-25/EA/SVB	25A	1	YE10125250000								
2	Q2,Q3,Q6	Circuit-breaker	TECO	BM-63C 3P	10A	3	YE40301003000								
3		Excitation release	TECO	MX	220V 50/60Hz	2	YE40023560000								
4	Q4,Q5	Circuit-breaker	TECO	BM-63C 3P	6A	2	YE40300603000								
5	K1,K2,K3	Contacto	SIEMENS	3RT6016-1AN21	220V 50/60Hz	3	YE00601621000								
6	K4	Contacto	SIEMENS	3RT6017-1AN21	220V 50/60Hz	1	YE00601721000								
7	K5	Contacto	SIEMENS	3RT6017-1AN21	220V 50/60Hz	1	YE00601721000								
8	K7,K8	Middle relay	WEIDMULLER	DRM270730LT	220V 50/60Hz	2	YE03270700000								
9	F1	Overload relay	SIEMENS	3RU6116-1AB0	1.1-1.6A	1	YE01160110000								
10	F2	Overload relay	SIEMENS	3RU6116-1AB0	1.1-1.6A	1	YE01160110000								
11	F3	Overload relay	SIEMENS	3RU6116-1FB0	3.5-5A	1	YE01160350000								
12	PCB	Microprocessor control board+display screen	PUMP	K.SF878500A.01-01	-----	1	YE80878500000								
13	T	Transformer	BAIYUN	BY-0407009	IN=400V OUT=230V 500mA	1	YE70402300800								
14	U	DC power	MEAN WELL	NES-35-24	OUT=DC24V 1.5A	1	YE71352400100								
15	FU1	Fuse base	CHINT	RT18-32	2P	1	YE41032200000								
16		Fuse	CHINT	10*38 500V	2A	2	YE46002000100								
17	FU2	Fuse	YINDA	FS-10	2A	1	YE41001000000								
18	S1	Reed switch	FOTEK	FC-12V	24VDC	1	YE15001200000	(1)							
19	S2	Photoelectric switch	FOTEK	T18-3MNB-PE	24VDC	1	YE15143900000	(1)							
20	S3	Dew-point transducer	CS	CS 217-OEM	POWER=24VDC OUT=4-20mA	1	YE90021700100	(1) (2)							
21	S4	Micro switch	TEND	LXW5-11G1	250V 5(4)A	1	-----	(1)							
22	S5,S6	Temperature protector	EGO	WR-A-50-300-2500-3	250V 5(4)A	2	-----	(1)							
23	S7,S8,S9	Thermocouple	SHINI	ST-K	K	3	-----	(1)							
24	Y1,Y2	Solenoid valve	FESTO	MSFW-230-50/60	220V 50/60Hz	2	-----	(1)							
25	H1	Buzzer	HITPOINT	PK-35A	220V	1	YE84003500200	(1)							
整机版本Ver.D									Notes: (1)Means it's not the material inside the control box. (2)Stands for optional.						
		Drawer		Version		E		Title		Drawing NO.		Scale		Page	
		Designer		Approved by				SCD-200I(4.0U)/30H-OP		SCD-200I(4.0U)/30H-OP-PUMP-CE-400V-E-5		Standard		CE	
		Proofread by		Date				Electrical Components List 1				Voltage		4.00V	
		Checked by		Date								Frequency		50Hz	
Mark		Before modification		20170620											
1		2		3		4		5		6		7		8	



1		2		3		4		5		6		7		8					
NO.	Symbol	Name	Manufacturer	Type	Specification	Number	Material number	Remark											
26	H2	Alarm indicator	SHINI	LED-3051	220V 50/60Hz	1	YE83305100200	(1)											
27	X1	Terminal board	HONEYWELL	4mm ²	41A 690V	18	YE60000403200												
28				4mm ² PE	-	6	YE60000403500												
29				2.5mm ²	32A 690V	14	YE60002503200												
30				2.5mm ² PE	-	4	YE60002503400												
31				2.5mm ²	32A 690V	6	YE60002503200	(2)											
32				2.5mm ² PE	-	2	YE60002503400	(2)											
33	X2	Terminal board	----	Spring terminals SK2.5-TL	10A 250V	3	YE60002503600												
34				FBSTB 10-ZDIK RD	10A 250V	3	YE60001000200												
35				SK-2.5TL桥接件	10A 250V	3	YE60001003600												
36	X3	Terminal board	HONEYWELL	2.5mm ²	32A 690V	5	YE60002503200												
37				2.5mm ² PE	-	1	YE60002503400												
38	X4,X5	Heavy duty connector	SIBAS	HDC-HA-004.1	4P 10A	2	YE68041000100	(1)											
39	FM	Fan	SUNON	DP-200A	230VAC 40W	1	YM601212004.00	(1)											
40	M1	Blower	SHINI	-----	400V 0.4kW	1	-----	(1)											
41	M2	Blower	SHINI	-----	400V 0.4kW	1	-----	(1)											
42	M3	Blower	SHINI	-----	400V 1.5kW	1	-----	(1)											
43	M4	Motor	----	-----	230V 0.015kW	1	-----	(1)											
44	EH1	Heater	SHINI	-----	400V 3kW	1	-----	(1)											
45	EH2	Heater	SHINI	-----	400V 3kW	1	-----	(1)											
46	S10	Communication interface board RS-485 (double Dsub-9pin connector)	--	--	--	1	YE90048501200	(1)											
47		Shell RS485(SAL-700G-A-1910)	--	--	--	1	YR40048500000	(1)											
48																			
49																			
50																			
整机版本 Ver.D Notes: (1)Means it's not the material inside the control box. (2)Stands for optional.																			
				Title		Drawing NO.		Scale		Page		D							
				SCD-200I(4.0U)/30H-OP		SCD-200I(4.0U)/30H-OP-PUMP-CE-400V-E-6		CE		6		Totally 6 Pages							
				Electrical Components List 2				Voltage		4.00V									
				Date		20170620		Frequency		50Hz									
				SHINI		信易塑料机械股份有限公司 Shini Plastics Technologies, Inc.													
				Version		E													
				Designer		Proofread by		Approved by											
				Checked by		Modify date		Date		20170620									
				Before modification		After modification													
				1		2		3		4		5		6		7		8	



整机版本 Ver.D

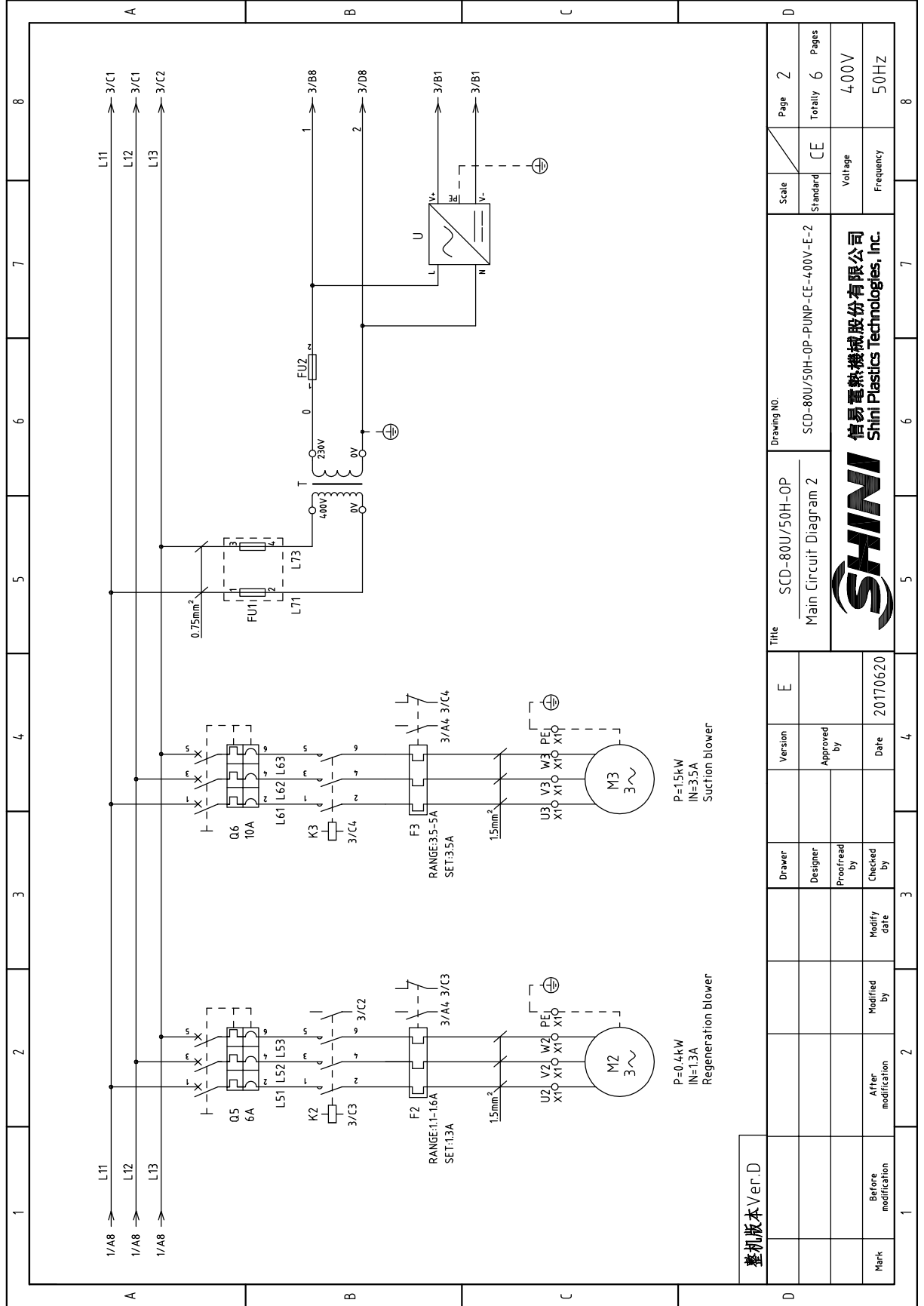
Mark	Before modification	After modification	Modify Date	Checked by	Date	Version	E	Title	SCD-80U/50H-OP Main Circuit Diagram 1	Drawing NO.	SCD-80U/50H-OP-PUMP-CE-400V-E-1	Scale	Page 1
												Standard	CE
												Voltage	400V
												Frequency	50Hz



1 2 3 4 5 6 7 8

A B C D

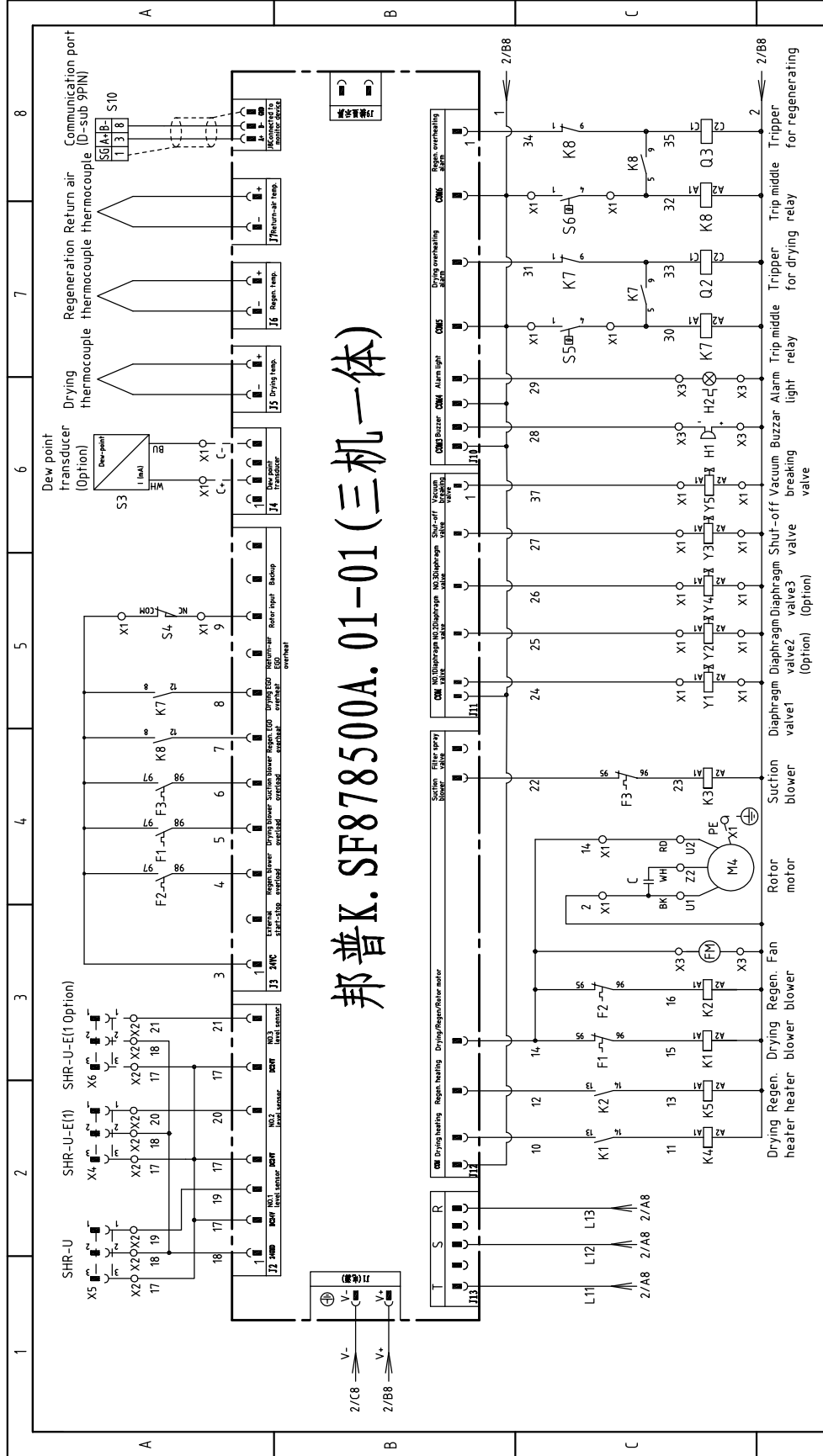
1 2 3 4 5 6 7 8



整机版本 Ver.D

Mark	Before modification	Modified by	20170620	Date	Version	E	Title	Drawing NO.		Scale	Page
	After modification	Approved by	20170620					Standard	Totally		
Before modification							SCD-80U/50H-OP	SCD-80U/50H-OP-PUNP-CE-400V-E-2	CE	2	6
After modification							Main Circuit Diagram 2		Voltage	400V	Pages
Before modification							SHINI 信易塑料机械股份有限公司		Frequency	50HZ	
After modification							SHINI 信易塑料机械股份有限公司				

邦普K.SF878500A.01-01(三机一体)

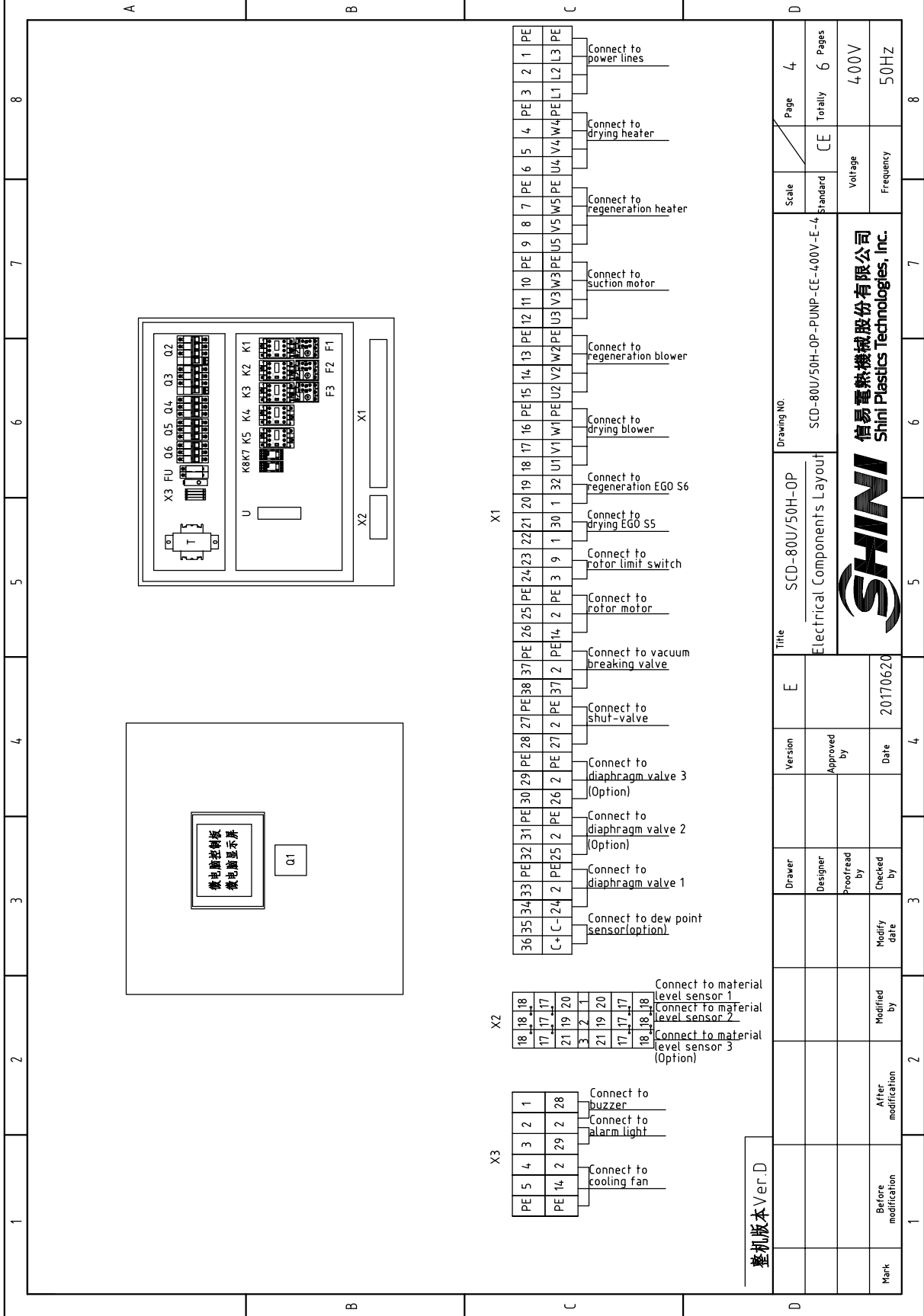


整机版本 Ver.D

Note: When M2 is not adopted, substitute No. 24 wire for No. 25 as well as No. 25, and then connect it to diaphragm valve 1.

Title	SCD-80U/50H-OP	Drawing No.	Page 3
Control Circuit Diagram	SCD-80U/50H-OP-PUMP-CE-400V-E-3	Standard	CE
Designer	Proofread by	Voltage	400V
Modified by	Checked by	Frequency	50HZ
Mark	Before modification	After modification	Modify date
Date	20170620	Date	20170620
Approved by	Approved by	Totaly	6
Pages	Pages	Voltage	400V
Frequency	Frequency	Frequency	50HZ





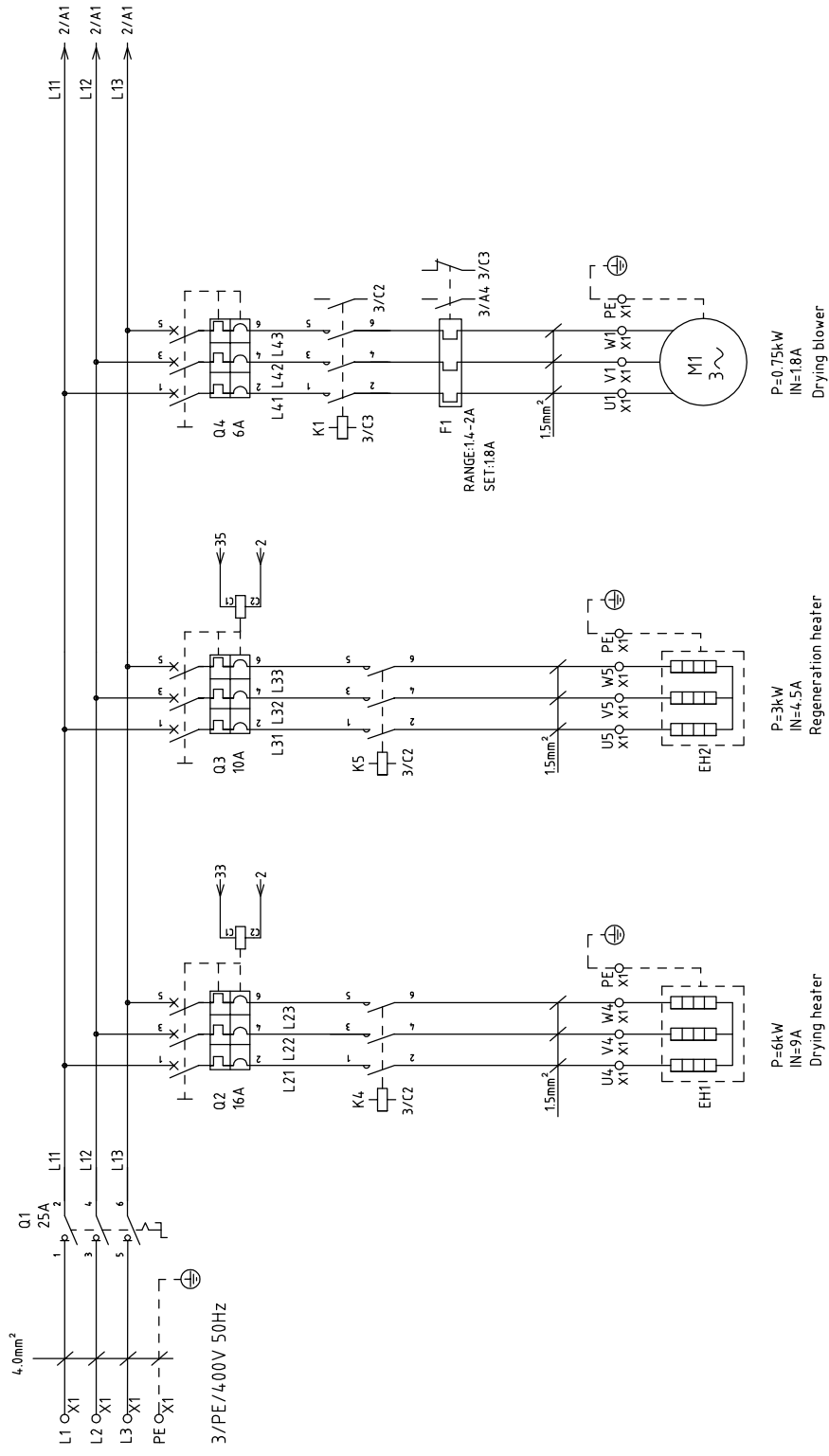
整机版本 Ver.D

Title		Version		Drawer		E		Drawing No.		Page	
SCD-80U/50H-OP		Approved by		Designer		Shut-valve		SCD-80U/50H-OP-PUMP-CE-400V-E-4		4	
Electrical Components Layout		Date		Proofread by		Connect to diaphragm valve 3 (Option)		Standard		Totally	
SHINI 信易塑料机械股份有限公司 Shini Plastics Technologies, Inc.		20170620		Checked by		Connect to diaphragm valve 2 (Option)		Voltage		6	
Mark		Modify date		Checked by		Connect to diaphragm valve 1		Frequency		Pages	
Before modification		After modification		Checked by		Connect to dew point sensor (option)		400V		4	
1		2		3		4		50HZ		6	

1		2		3		4		5		6		7		8	
NO.	Symbol	Name	Manufacturer	Type	Specification	Number	Material number	Remark							
1	Q1	Main power switch	EATON	P1-25/EA/SVB	25A	1	YE10I25250000								
2	Q2 Q3 Q6	Circuit-breaker	TECO	BM-63C 3P	10A	3	YE40301003000								
3		Excitation release	TECO	MX	220V 50/60Hz	2	YE40023560000								
4	Q4 Q5	Circuit-breaker	TECO	BM-63C 3P	6A	2	YE40300603000								
5	K1 K2 K3	Contacto	SIEMENS	3RT6016-1AN21	220V 50/60Hz	3	YE00601621000								
6	K4	Contacto	SIEMENS	3RT6017-1AN21	220V 50/60Hz	1	YE00601721000								
7	K5	Contacto	SIEMENS	3RT6017-1AN21	220V 50/60Hz	1	YE00601721000								
8	K7 K8	Middle relay	WEIDMULLER	DRM270730LT	220V 50/60Hz	2	YE03270700000								
9	F1	Overload relay	SIEMENS	3RU6116-1AB0	1.1-1.6A	1	YE01160110000								
10	F2	Overload relay	SIEMENS	3RU6116-1AB0	1.1-1.6A	1	YE01160110000								
11	F3	Overload relay	SIEMENS	3RU6116-1FB0	3.5-5A	1	YE01160350000								
12	PCB	Microprocessor control board+display screen	PUMP	K.SF878500A.01-01	-----	1	YE80878500000								
13	T	Transformer	BAIYUN	BY-0407009	IN=400V OUT=230V 500mA	1	YE70402300800								
14	U	DC power	MEAN WELL	NES-35-24	OUT=DC24V 1.5A	1	YE71352400100								
15	FU1	Fuse base	CHINT	RT18-32	2P	1	YE41032200000								
16	FU2	Fuse	CHINT	10x38 500V	2A	2	YE46002000100								
17	FU2	Fuse	YINDA	FS-10	2A	1	YE41001000000								
18	S1	Reed switch	FOTEK	FC-12V	24VDC	1	YE15001200000	(1)							
19	S2	Photoelectric switch	FOTEK	T18-3MNB-PE	24VDC	1	YE15143900000	(1)							
20	S3	Dew-point transducer	CS	CS 217-OEM	POWER=24VDC OUT=4-20mA	1	YE90021700100	(1)(2)							
21	S4	Micro switch	TEND	LXW5-11G1	250V 5(4)A	1	-----	(1)							
22	S5 S6	Temperature protector	EGO	WR-A-50-300-2500-3	250V 5(4)A	2	-----	(1)							
23	S7 S8 S9	Thermocouple	SHINI	ST-K	K	3	-----	(1)							
24	Y1,Y2	Solenoid valve	FESTO	MSFW-230-50/60	220V 50/60Hz	2	-----	(1)							
25	H1	Buzzer	HITPOINT	PK-35A	220V	1	YE84003500200	(1)							
整机版本 Ver.D Notes: (1)Means it's not the material inside the control box. (2)Stands for optional.															
		Drawer		Version		E		Title		Drawing No.		Scale		Page	
		Designer		Approved by				SCD-80U/50H-0P		SCD-80U/50H-0P-PUMP-CE-400V-E-5		Standard		CE	
		Proofread by		Date		20170620		Electrical Components List 1				Voltage		4.00V	
		Checked by		Date								Frequency		50Hz	
Mark		Before modification		Modified by		Modify date									
1		2		3		4		5		6		7		8	



1		2		3		4		5		6		7		8			
NO.	Symbol	Name	Manufacturer	Type	Specification	Number	Material number	Remark									
26	H2	Alarm indicator	SHINI	LED-3051	220V 50/60Hz	1	YE83305100200	(1)									
27	T	Transformer	BAIYUN	BY-0407009	IN=400V OUT=230V/18V 500mA	1	YE70504-0000000										
28	X1	Terminal board	HONEYWELL	4mm ²	41A 690V	18	YE60000403200										
29				4mm ² PE	-	6	YE60000403500										
30				2.5mm ²	32A 690V	14	YE60002503200										
31				2.5mm ² PE	-	4	YE60002503400										
32				2.5mm ²	32A 690V	6	YE60002503200	(2)									
33				2.5mm ² PE	-	2	YE60002503400	(2)									
34	X2	Terminal board	----	Spring terminals SK2.5-TL	10A 250V	3	YE60002503600										
35				FBSTB 10-ZDIK RD	10A 250V	3	YE60001000200										
36				SK-2.5TL桥接件	10A 250V	3	YE60001003600										
37	X3	Terminal board	HONEYWELL	2.5mm ²	32A 690V	5	YE60002503200										
38				2.5mm ² PE	-	1	YE60002503400										
39	X4,X5	Heavy duty connector	SIBAS	HDC-HA-004.1	4P 10A	2	YE6804-1000100	(1)									
40	FM	Fan	SUNON	DP-200A	230VAC 40W	1	YM60121200400	(1)									
41	M1	Blower	SHINI	-----	400V 0.4kW	1	-----	(1)									
42	M2	Blower	SHINI	-----	400V 0.4kW	1	-----	(1)									
43	M3	Blower	SHINI	-----	400V 1.5kW	1	-----	(1)									
44	M4	Motor	----	-----	230V 0.015kW	1	-----	(1)									
45	EH1	Heater	SHINI	-----	400V 3.9kW	1	-----	(1)									
46	EH2	Heater	SHINI	-----	400V 3kW	1	-----	(1)									
47	S10	Communication interface board (double Disub-9pin connector)	--	--	--	1	YE90048501200	(1)									
48		Shell RS485(SAL-700G-A-1910)	--	--	--	1	YR40048500000	(1)									
49																	
50																	
D									Notes: (1)Means it's not the material inside the control box. (2)Stands for optional.								
			整机版本 Ver.D	Title			Drawing NO.			Scale			Page				
				SCD-80U/50H-OP			SCD-80U/50H-OP-PUMP-CE-4.00V-E-6			CE			6				
				Electrical Components List 2						Voltage			4.00V				
				SHINI			信易塑料机械股份有限公司 Shini Plastics Technologies, Inc.			Frequency			50Hz				
Mark			Before modification	Modified by	Modify date	Checked by	Proofread by	Designer	Drawer	Version	E	Date			20170620		
1			2	3	4	5	6	7	8								

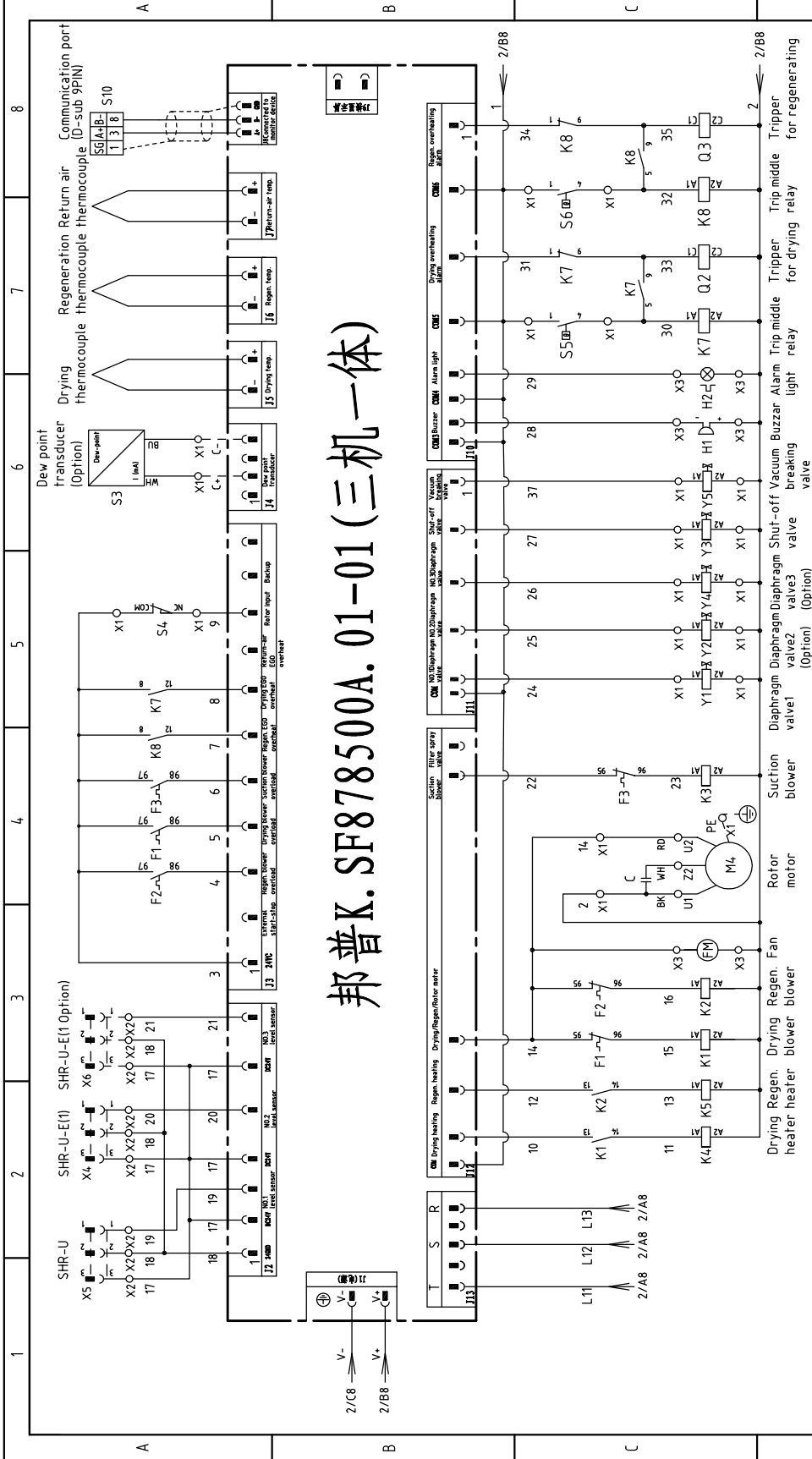


整机版本 Ver.D

Title		Version		E		Drawing No.		Scale		Page	
SCD-120U/80H-OP		Approved by				SCD-120U/80H-OP-PUNP-CE-4.00V-E-1		Standard		Page 1	
Main Circuit Diagram 1		Designer		Checked by				Voltage		Totally 6	
Date		Proofofread by		Date				Frequency		Pages	
20170620		Modify date		20170620				4.00V		6	
Mark		Before modification		After modification				50Hz		8	



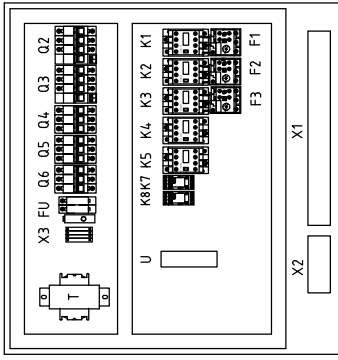
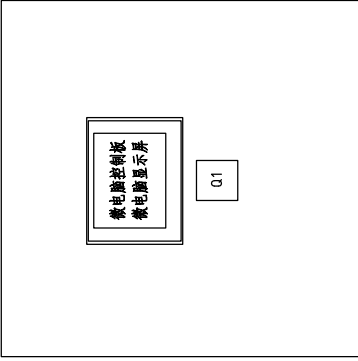
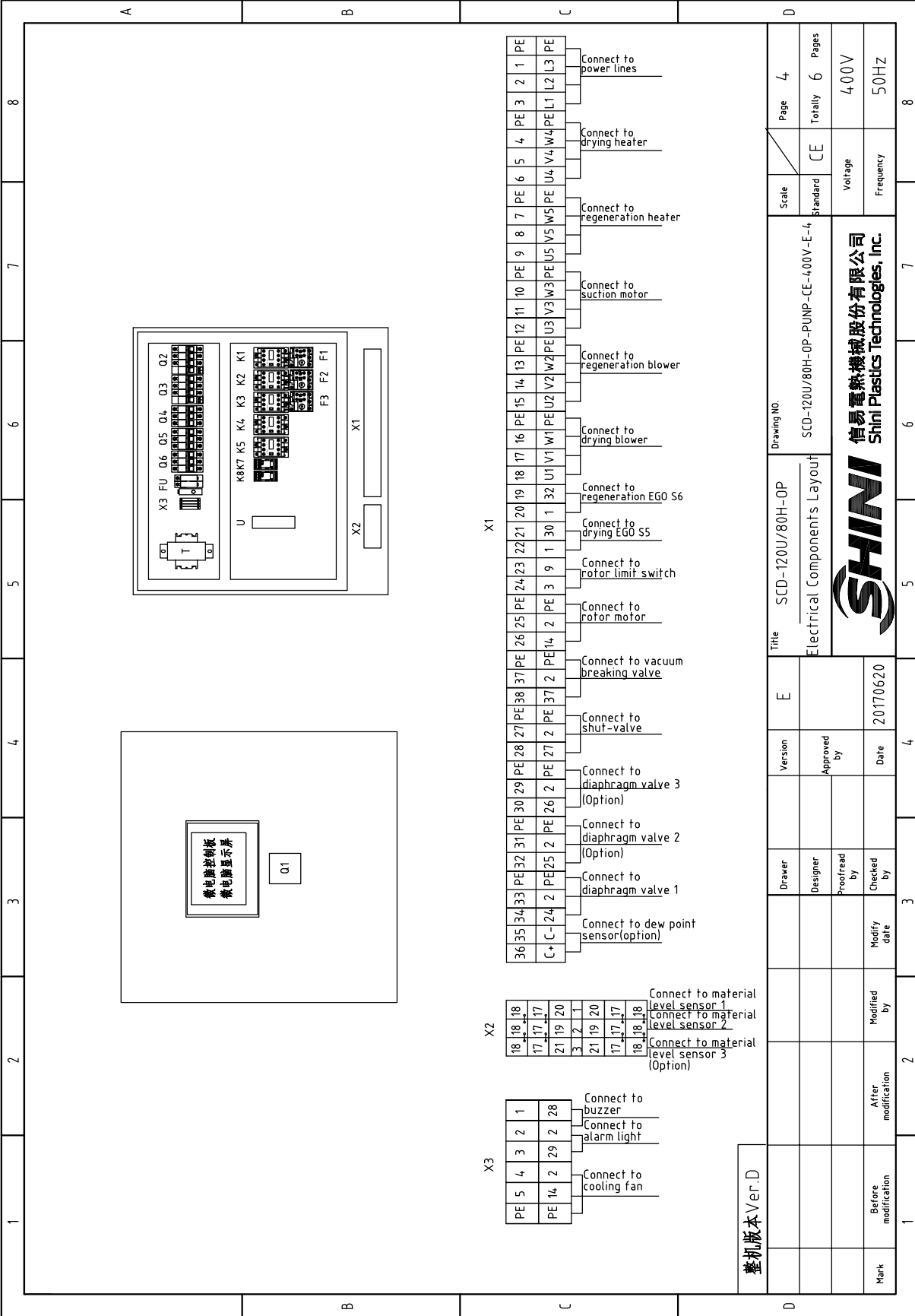
邦普K.SF878500A.01-01 (三机一体)



整机版本 Ver.D

Note: When M2 is not adopted, substitute No. 24 wire for No. 25 as well as No.26, and then connect it to diaphragm valve 1.

Title		Drawing No.	
SCD-120U/80H-OP		SCD-120U/80H-OP-PUMP-CE-4.00V-E-3	
Control Circuit Diagram		Scale	Page 3
Drawer	Designer	Standard	Totally 6 Pages
Proofread by	Approved by	Voltage 400V	
Checked by	Date	Frequency 50HZ	
Modified by	Modify date	SHINI 信易电热机械股份有限公司 Shini Plastics Technologies, Inc.	
Before modification	After modification	5 6 7	
1	2	3 4	



X3

PE 15	4	3	2	1
PE 14	2	29	2	28

- Connect to cooling fan
- Connect to alarm light
- Connect to buzzer

X2

18	18	18
17	17	17
21	19	20
3	2	1
21	19	20
17	17	17
18	18	18

- Connect to material level sensor 1
- Connect to material level sensor 2
- Connect to material level sensor 3 (Option)

X1


36	35	34	33	32	31	30	29	28	27	26	25	24	23	22	21	20	19	18	17	16	15	14	13	12	11	10	9	8	7	6	5	4	3	2	1										
C+	C-	24	2	PE	25	2	PE	26	2	PE	14	2	PE	3	9	1	30	1	30	1	32	U1	V1	W1	PE	U2	V2	W2	PE	U3	V3	W3	PE	U5	V5	W5	PE	U4	V4	W4	PE	L1	L2	L3	PE


- Connect to dew point sensor(option)
- Connect to diaphragm valve 1
- Connect to diaphragm valve 2 (Option)
- Connect to diaphragm valve 3 (Option)
- Connect to shut-valve
- Connect to rotor limit switch
- Connect to drying EGO S5
- Connect to regeneration EGO S6
- Connect to drying blower
- Connect to regeneration blower
- Connect to suction motor
- Connect to regeneration heater
- Connect to drying heater
- Connect to power lines

整机版本Ver.D

Mark	Before modification	Date	20170620	E	Title	SCD-120U/80H-OP Electrical Components Layout	Drawing NO.	SCD-120U/80H-OP-PUNP-CE-4,00V-E-4	Scale	Page
	Standard								Totally	
								Standard	CE	
								Voltage	400V	
								Frequency	50HZ	



1		2		3		4		5		6		7		8	
NO.	Symbol	Name	Manufacturer	Type	Specification	Number	Material number	Remark							
1	Q1	Main power switch	EATON	P1-25/EA/SVB	25A	1	YE10I25250000								
2	Q2	Circuit-breaker	TECO	BM-63C 3P	16A	1	YE4-0301603000								
3	Q3 Q6	Circuit-breaker	TECO	BM-63C 3P	10A	2	YE4-0301003000								
4		Excitation release	TECO	MX	220V 50/60Hz	2	YE4-0023560000								
5	Q4 Q5	Circuit-breaker	TECO	BM-63C 3P	6A	2	YE4-0300603000								
6	K1 K2 K3	Contact	SIEMENS	3RT6016-1AN21	220V 50/60Hz	3	YE00601621000								
7	K4	Contact	SIEMENS	3RT6018-1AN21	220V 50/60Hz	1	YE00601800000								
8	K5	Contact	SIEMENS	3RT6017-1AN21	220V 50/60Hz	1	YE00601721000								
9	K7 K8	Middle relay	WEIDMULLER	DRM270730LT	220V 50/60Hz	2	YE03270700000								
10	F1	Overload relay	SIEMENS	3RU5116-1BB0	1.4-2A	1	YE0114-0200000								
11	F2	Overload relay	SIEMENS	3RU6116-1AB0	1.1-1.6A	1	YE01160110000								
12	F3	Overload relay	SIEMENS	3RU6116-1FB0	3.5-5A	1	YE01160350000								
13	PCB	Microprocessor control board-display screen	PUMP	K.SF878500A.01-01	-----	1	YE80878500000								
14	T	Transformer	BAIYUN	BY-04-07009	IN=400V OUT=230V 500mA	1	YE704-02300800								
15	U	DC power	MEAN WELL	NES-35-24	OUT=DC24V 1.5A	1	YE713524-00100								
16	FU1	Fuse base	CHINT	RT18-32	2P	1	YE4-1032200000								
17		Fuse	CHINT	10x38 500V	2A	2	YE4-6002000100								
18	FU2	Fuse	YINDA	FS-10	2A	1	YE4-1001000000								
19	S1	Reed switch	FOTEK	FC-12V	24VDC	1	YE15001200000	(1)							
20	S2	Photoelectric switch	FOTEK	T18-3MNB-PE	24VDC	1	YE1514-3900000	(1)							
21	S3	Dew-point Transducer	CS	CS 217-0EM	POWER=24VDC OUT=4-20mA	1	YE90021700100	(1)(2)							
22	S4	Micro switch	TEND	LXW5-11G1	250V 5(4)A	1	-----	(1)							
23	S5 S6	Temperature protector	EGO	WR-A-50-300-2500-3	250V 5(4)A	2	-----	(1)							
24	S7 S8 S9	Thermocouple	SHINI	ST-K	K	3	-----	(1)							
25	Y1,Y2	Solenoid valve	FESTO	MSFW-230-50/60	220V 50/60Hz	2	-----	(1)							
整机版本 Ver.D Notes: (1)Means it's not the material inside the control box. (2)Stands for optional.															
		Drawer		Version		E		Title		Drawing NO.		Scale		Page	
		Designer		Approved by				SCD-120U/80H-OP		SCD-120U/80H-OP-PUMP-CE-4.00V-E-5		Standard		CE	
		Proofread by		Date		20170620		Electrical Components List 1				Voltage		4.00V	
		Checked by		Date								Frequency		50Hz	
Mark		Before modification		Modified by		Modify date									
1		2		3		4		5		6		7		8	
								 信易塑料机械股份有限公司 Shini Plastics Technologies, Inc.							

1		2		3		4		5		6		7		8	
NO.	Symbol	Name	Manufacturer	Type	Specification	Number	Material number	Remark							
26	H1	Buzzer	HITPOINT	PK-35A	220V	1	YE84003500200	(1)							
27	H2	Alarm indicator	SHINI	LED-3051	220V 50/60Hz	1	YE83305100200	(1)							
28	T	Transformer	BAIYUN	BY-0407009	IN=400V OUT=230V/18V 500mA	1	YE70504000000								
29	X1	Terminal board	HONEYWELL	4mm ²	4TA 690V	18	YE60000403200								
30				4mm ² PE	-	6	YE60000403500								
31				2.5mm ²	32A 690V	14	YE60002503200								
32				2.5mm ² PE	-	4	YE60002503400								
33				2.5mm ²	32A 690V	6	YE60002503200	(2)							
34				2.5mm ² PE	-	2	YE60002503400	(2)							
35	X2	Terminal board	----	Spring terminals SK2.5-TL	10A 250V	3	YE60002503600								
36				FBS TB 10-ZDIK RD	10A 250V	3	YE60001000200								
37				SK-2.5TL桥接件	10A 250V	3	YE60001003600								
38	X3	Terminal board	HONEYWELL	2.5mm ²	32A 690V	5	YE60002503200								
39				2.5mm ² PE	-	1	YE60002503400								
40	X4,X5	Heavy duty connector	SIBAS	HDC-HA-004.1	4P 10A	2	YE68041000100	(1)							
41	FM	Fan	SUNON	DP-200A	230VAC 4.0W	1	YM60121200400	(1)							
42	M1	Blower	SHINI	-----	400V 0.75kW	1	-----	(1)							
43	M2	Blower	SHINI	-----	400V 0.4kW	1	-----	(1)							
44	M3	Blower	SHINI	-----	400V 1.5kW	1	-----	(1)							
45	M4	Motor	----	-----	230V 0.015kW	1	-----	(1)							
46	EH1	Heater	SHINI	-----	400V 6kW	1	-----	(1)							
47	EH2	Heater	SHINI	-----	400V 3kW	1	-----	(1)							
48	S10	Communication interface board RS-485 (double Dsub-9pin connector)	--	--	--	1	YE90048501200	(1)							
49		Shell RS485(SAL-700G-A-1910)	--	--	--	1	YR40048500000	(1)							
整机版本 Ver.D Notes: (1)Means it's not the material inside the control box. (2)Stands for optional.															
				Title SCD-120U/80H-OP Electrical Components List 2		Drawing NO. SCD-120U/80H-OP-PUMP-CE-400V-E-6		Scale Standard CE		Page 6 Totality 6		Voltage Frequency		4.00V 50Hz	
Mark		Before modification		Modified by		Modify date		Checked by		Date		 信易塑料机械股份有限公司 Shini Plastics Technologies, Inc.			
1	2	3	4	5	6	7	8								