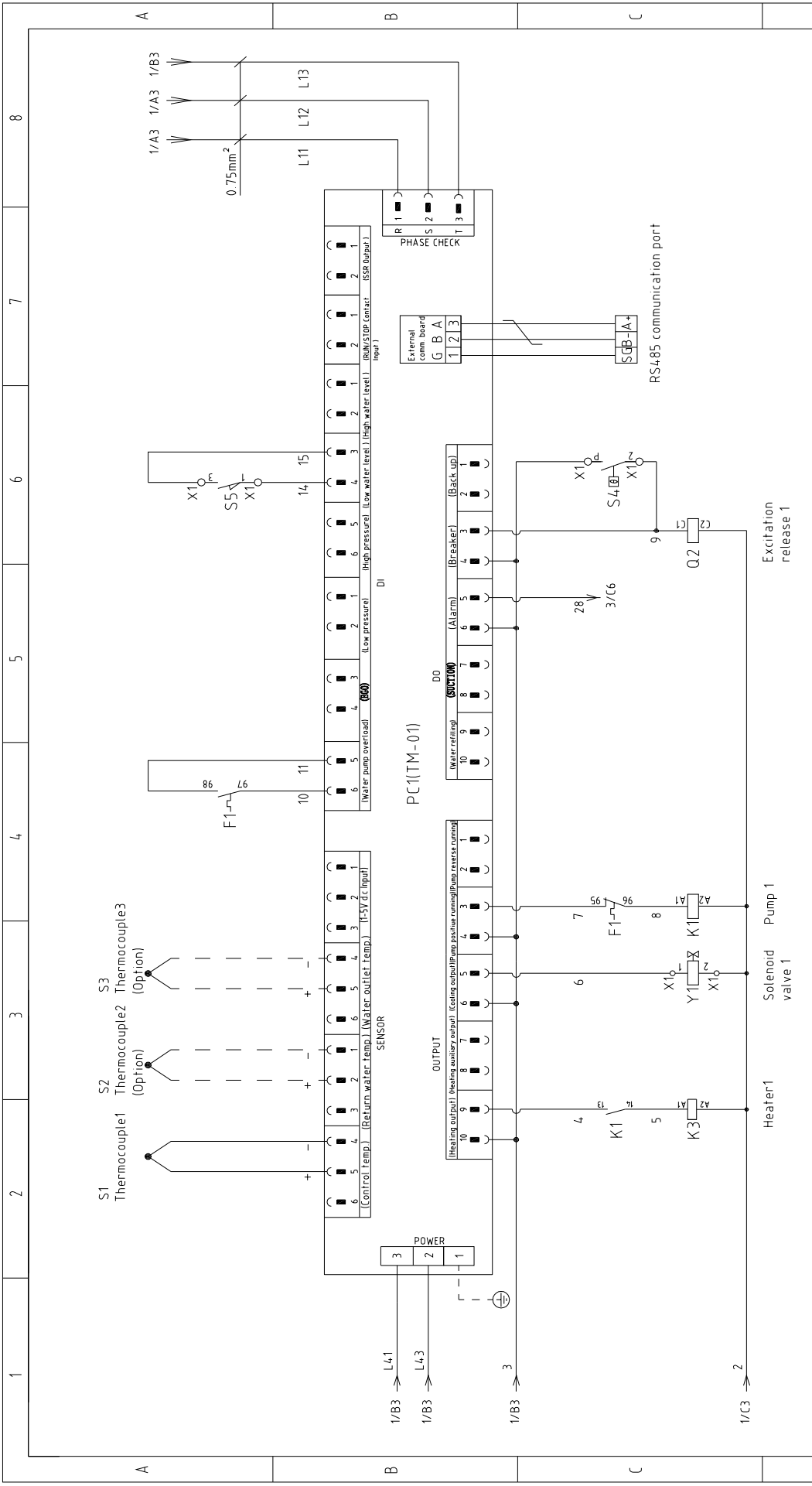


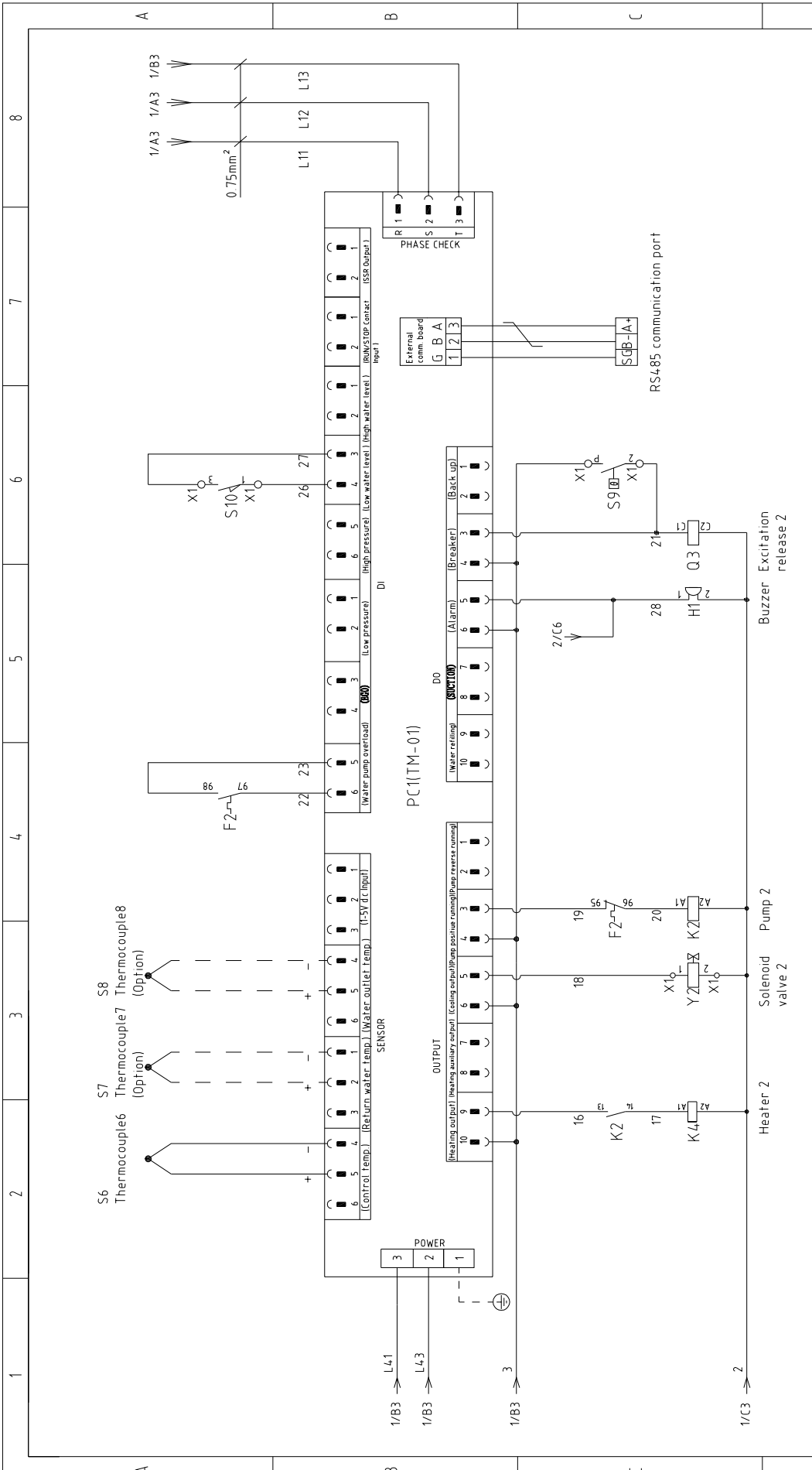
版本	Ver.E	
	Before modification	After modification
Mark	Modified by	Modify date
	Checked by	Date
	Proofread by	20170422
	Designer	
Drawer	Approved by	
Version	F	
Title		
STM-607-D		
Main Circuit Diagram		
Drawing NO		
STM-607-D-CE-230V-F-1		
Scale	Standard	Pages
	CE	Totally 6
	Voltage	230V
	Frequency	50HZ
Page	1	
8		





版本	Ver E	
	1	2
Mark	Before modification	After modification
	Modified by	Modify date
Drawer	Designer	Proofread by
	Approved by	Checked by
Version	F	20180102
	Approved by	Date
Title	STM-607-D	20180102
	Control Circuit Diagram 1	Date
Drawing NO	STM-607-D-CE-230V-F-2	20180102
	Scale	CE
Page	2	6
	Totally	Pages
Voltage	230V	50HZ
	Frequency	50HZ

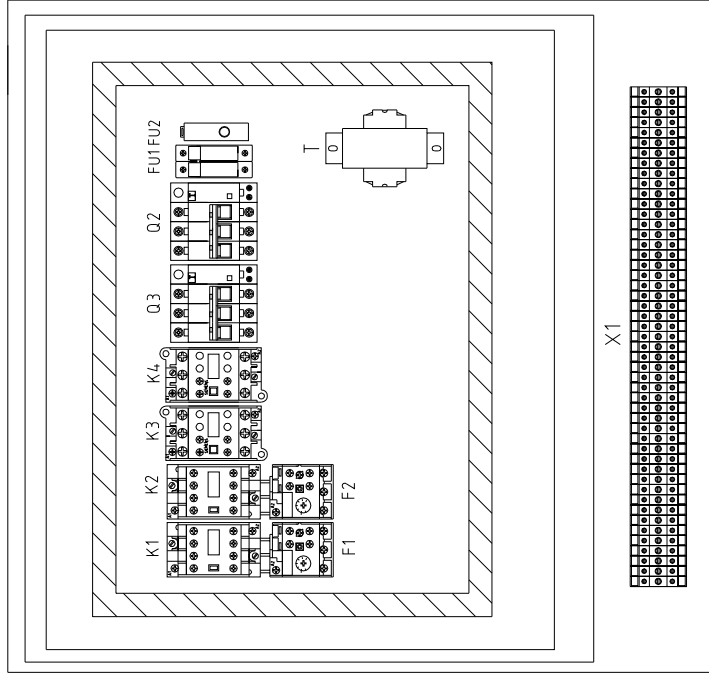
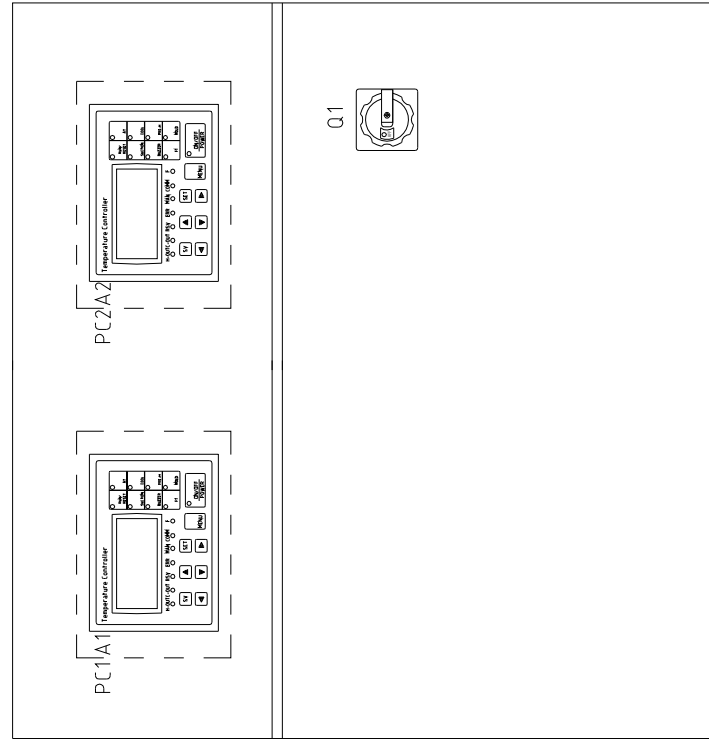




版本	Ver.E
Mark	Before modification
Modified by	
Modify date	
Checked by	
Proofread by	
Designer	
Drawer	
Version	
Approved by	
Date	20180102

Title	STM-607-D	Drawing NO	STM-607-D-CE-230V-F-3
	Control Circuit Diagram 2		
Scale	Standard	CE	Page 3
Voltage	230V		Totally 6
	Frequency		50HZ





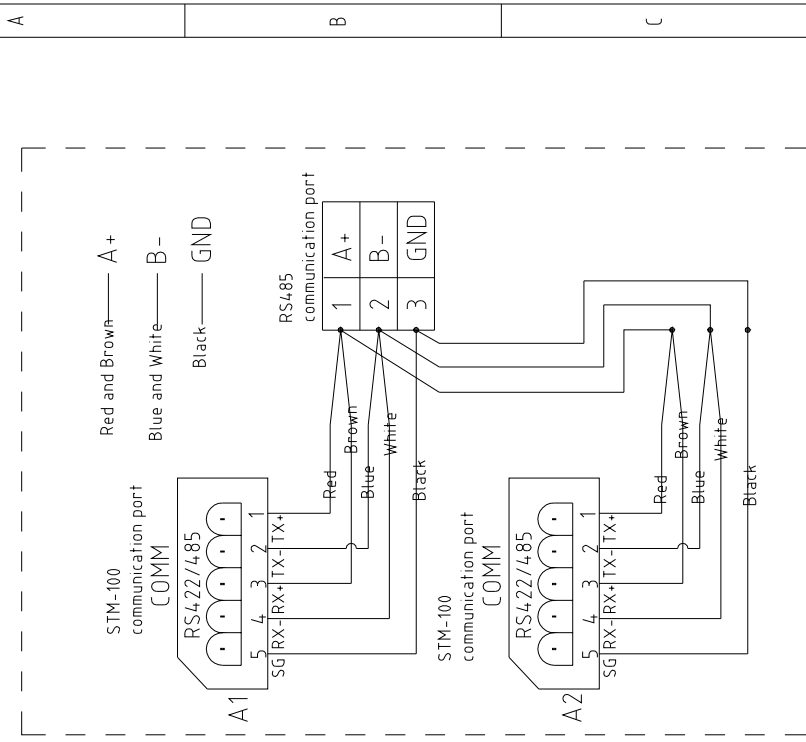
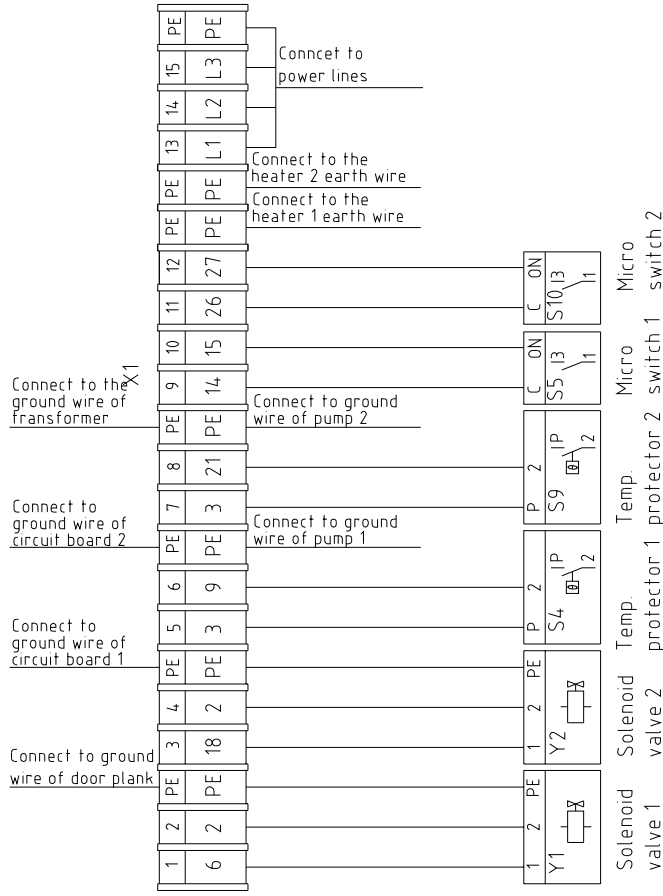
版本 Ver E

Drawer	Designer	Proofread by	Checked by	Modify date	Modified by	After modification	Before modification	Mark
Version	Approved By	Date	20170422					
F	Electrical Components Layout							

Title		Drawing NO	
STM-607-D		STM-607-D-CE-230V-F-4	
Scale		Standard	
CE		CE	
Voltage		230V	
Frequency		50HZ	
Page		4	
Totally		6	
Pages		6	



Technical requirements: (1) Positive (+) and negative (-) poles of thermocouple should be directly connected to thermocouple's input terminal of circuit board. There is no need for them to go through the terminal board.
 (2) Pump and pipe heater should be directly connected to the output terminals of contactor and thermal overload relay.



RS485 Communications wiring diagram

版本	Ver E
Mark	Before modification
	After modification
	Modified by
	Modify date
	Checked by
	Proofread by
	Designer
	Drawer
	Version
	F
	Title

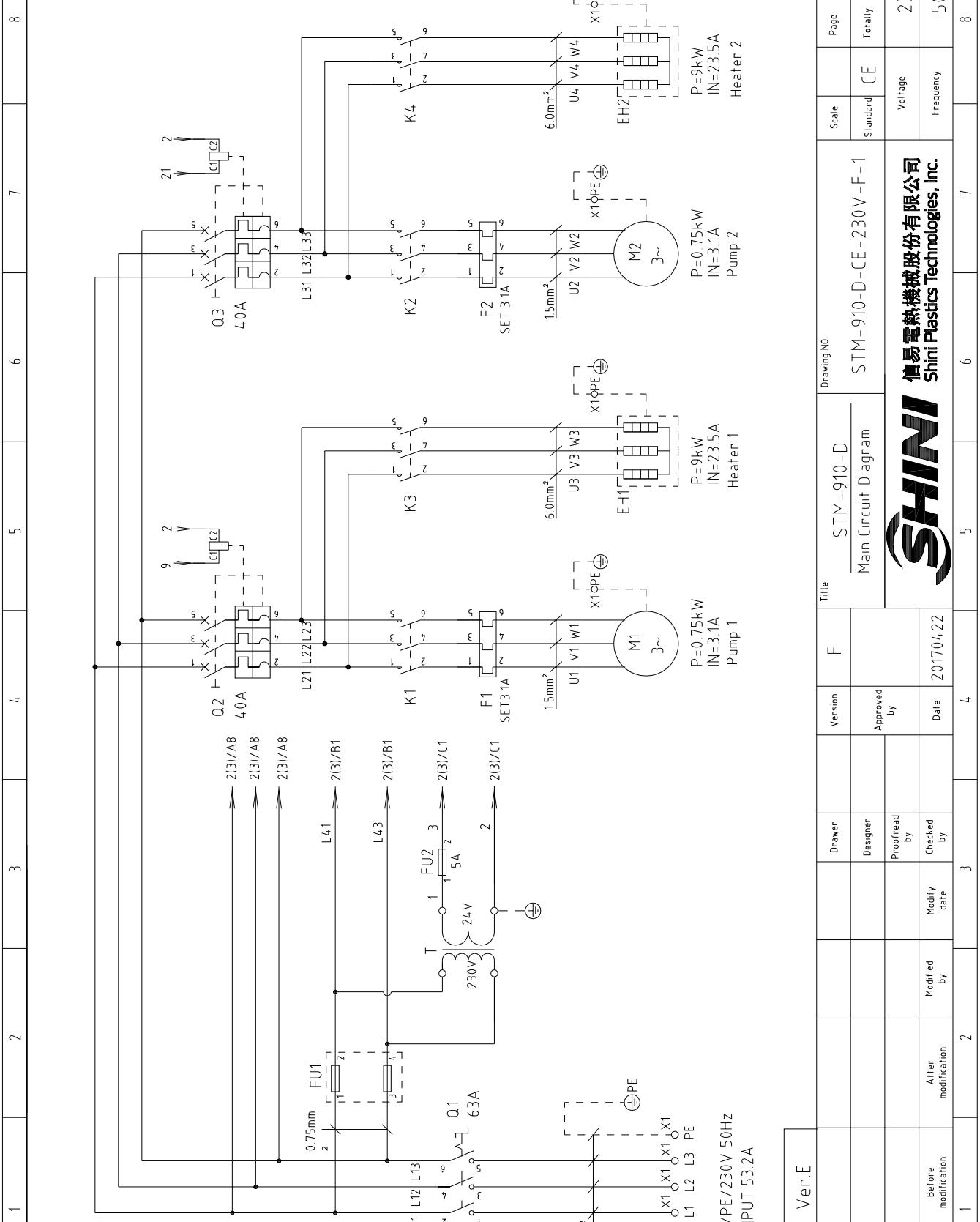
	STM-607-D	Terminal Connection Diagram	Drawing NO	Scale	Page	5
	STM-607-D-CE-230V-F-5			Standard	Totally	6
					Pages	
					Voltage	230V
					Frequency	50HZ



1	2		3	4	5	6	7	8
NO.	Symbol	Name	Manufacturer	Type	Specification	Number	Material number	Remark
1	Q1	Main Switch	EATON	P3-63/EA/SVB	63A	1	YE10636300000	
2	Q2 Q3	Circuit Breakers	TECO	BM-63C	25A	2	YE40302503000	
3		Excitation Release	TECO	MX	24VAC	2	YE40024000000	A
4	K1 K2	Contactors	SIEMENS	3RT6015-1AB01	24VAC	2	YE00601502500	
5	K3 K4	Contactors	SIEMENS	3RT6026-1AC20	24VAC	2	YE00602602600	
6	F1 F2	Thermo Overload Relay	SIEMENS	3RU6116-1BB0	1.4-2A	2	YE01160140000	
7	FU1	Fuse Base	CHINT	RT28-32	32A 2P	1	YE41032200000	
8		Fuse Core	MRO	10x38 500V	2A	2	YE46002000100	
9	FU2	Fuse	YINDA	FS-10	2A	1	YE41001000000	
10		Fuse	----	6x30/5A	5A	1	YE46630500100	
11	S1 S6	Thermocouple	SHINI	K	----	2	----	(1)
12	S2 S3 S7 S8	Thermocouple	SHINI	K	----	4	----	(2)
13	S4 S9	Overheat Protector	----	----	----	2	----	(1)
14	S5 S10	Micro Switch	RENEW	----	----	2	----	(1)
15	T	Transformer	----	IN=230V OUT=24VAC	180VA	1	YE70023005600	
16	PC1 PC2 A1 A2	Circuit Board	YUYUN	TM-01 (含通讯)	180~430V 50/60Hz	2	YE81012200300	
17	Y1 Y2	Solenoid Valve	----	----	24VAC	2	----	(1)
18	X1	Terminal Board	----	2.5mm ²	----	12	YE60002503200	
19		Terminal Board	----	2.5mm ² PE	----	4	YE60002503400	
20		Terminal Board	----	4.0mm ² PE	----	2	YE60000403500	
21		Terminal Board	----	10mm ²	----	3	YE60001003200	
22		Terminal Board	----	10mm ² PE	----	1	YE60001003500	
23	M1 M2	Motor	SHINI	TP-55	230V 50Hz 0.55kW	2	----	(1)
24	EH1 EH2	Heater	SHINI	6kW	230V 50/60Hz	2	----	(1)
25	H1	Buzzer	----	PK-35A	24VAC/DC	1	YE84003500600	
版本		Ver E		Notes: (1)Means it's not the material inside the control box (2)Means equipped with function of displaying water outlet and return water temperature.				
		Drawer	Version	Title	Drawing NO		Scale	Page
		Designer	Approved by	STM-607-D	STM-607-D-CE-230V-F-6		Standard	Totally
		Proofread by		Electrical Components List		CE		6
		Checked by	Date			Voltage		6
Mark	Before modification	Modified by	Modify date			Frequency		Pages
1			20170422			230V		50HZ
								8



信易电热机械股份有限公司
Shini Plastics Technologies, Inc.

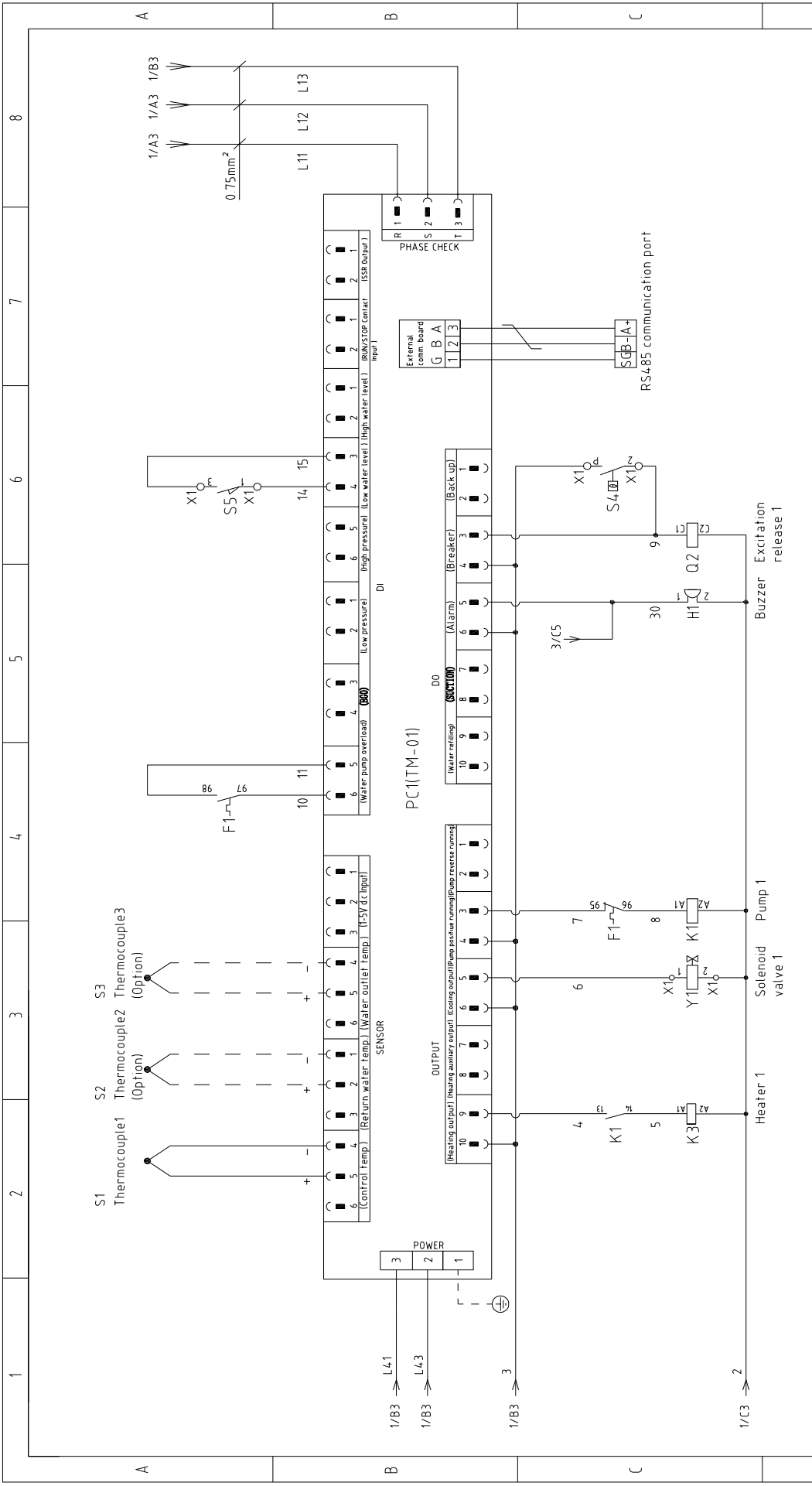


版本	Ver.E
Mark	Before modification
After modification	
Modified by	
Modify date	
Checked by	
Date	20170422
Approved by	
Version	F
Drawer	

Title		STM-910-D	
Main Circuit Diagram		Drawing NO	
		STM-910-D-CE-230V-F-1	
Version		Page 1	
Approved by		Standard CE	
Date		Voltage 230V	
Modify date		Frequency 50HZ	
Checked by		Totally 6	
Proofread by		Pages	
Designer			



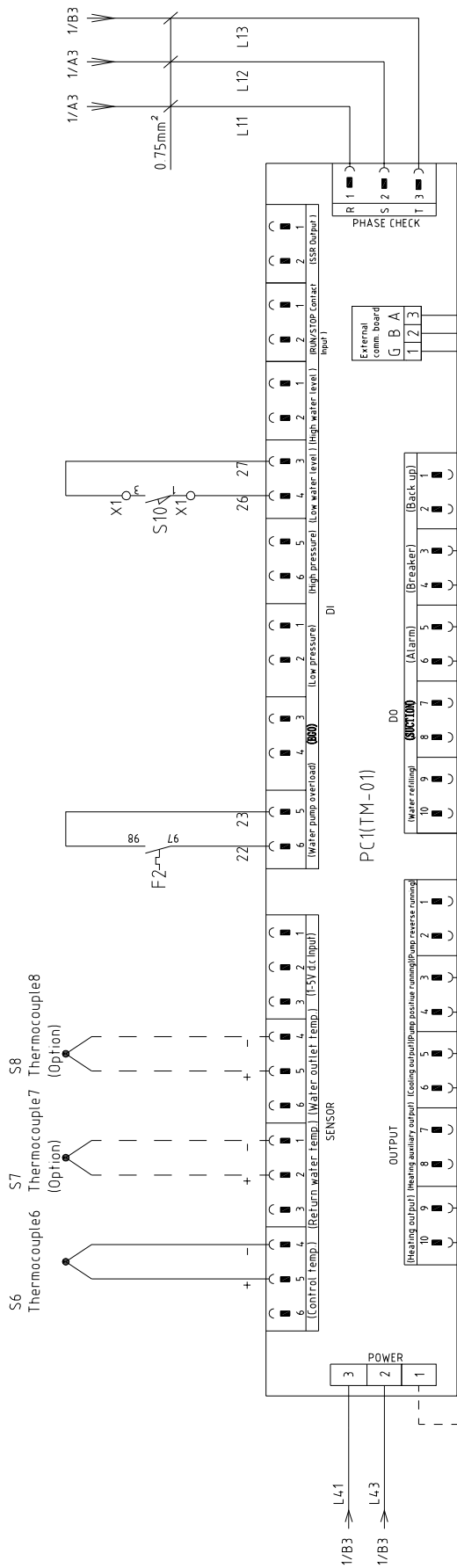
Scale	Standard	CE
Page	1	Totally 6
Pages		



版本	Ver.E	Version	F	Title	Drawing NO		Scale	Page	2
						STM-910-D			
Mark	Before modification	Proofread by	Approved by	Control Circuit Diagram 1	Date	20180102	Voltage	Frequency	Pages
	After modification								
									8



- S6 Thermocouple6 (Return water temp.)
- S7 Thermocouple7 (Water outlet temp.) (15V dc input)
- S8 Thermocouple8 (Option)

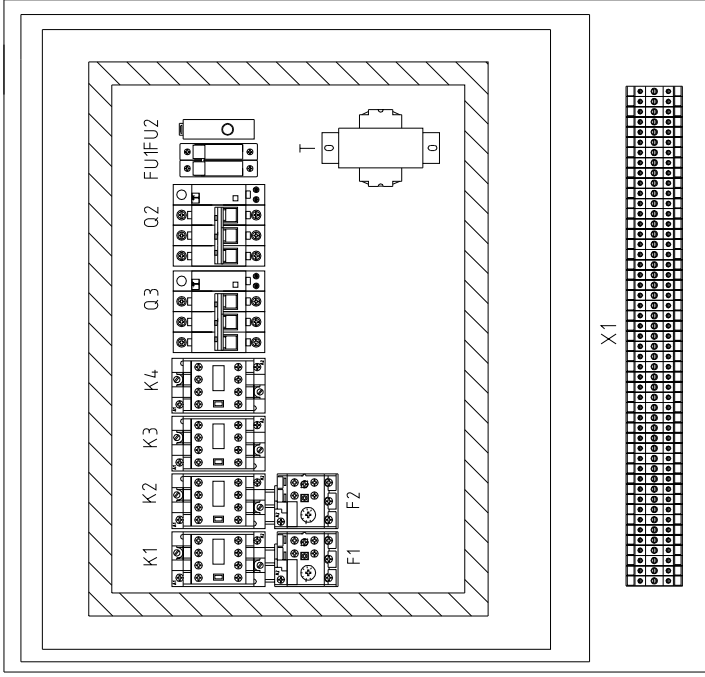
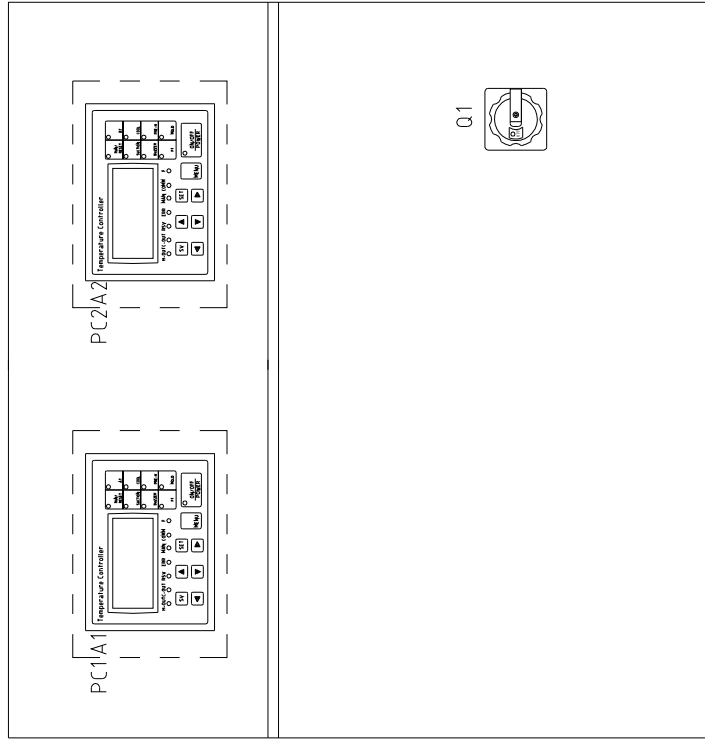


版本	Ver.E
Mark	Before modification
	Modified by
	Modify date
	Checked by
	Proofread by
	Designer
	Drawer
	Version
	Approved by
	Date
	20180102

Title		Drawing NO	
STM-910-D		STM-910-D-CE-230V-F-3	
Control Circuit Diagram 2		Scale	
		Standard	
		Voltage	
		Frequency	
		Page	
		Totally	
		Pages	
		230V	
		50HZ	



1 2 3 4 5 6 7 8



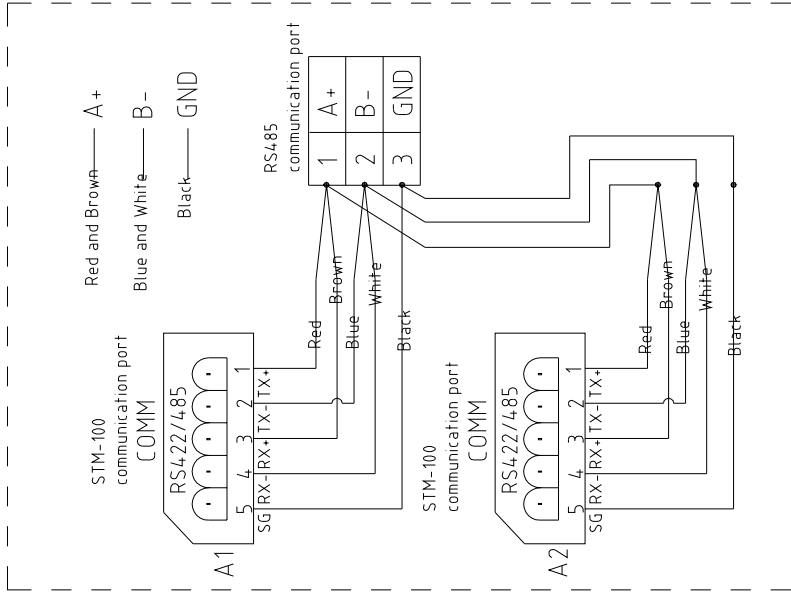
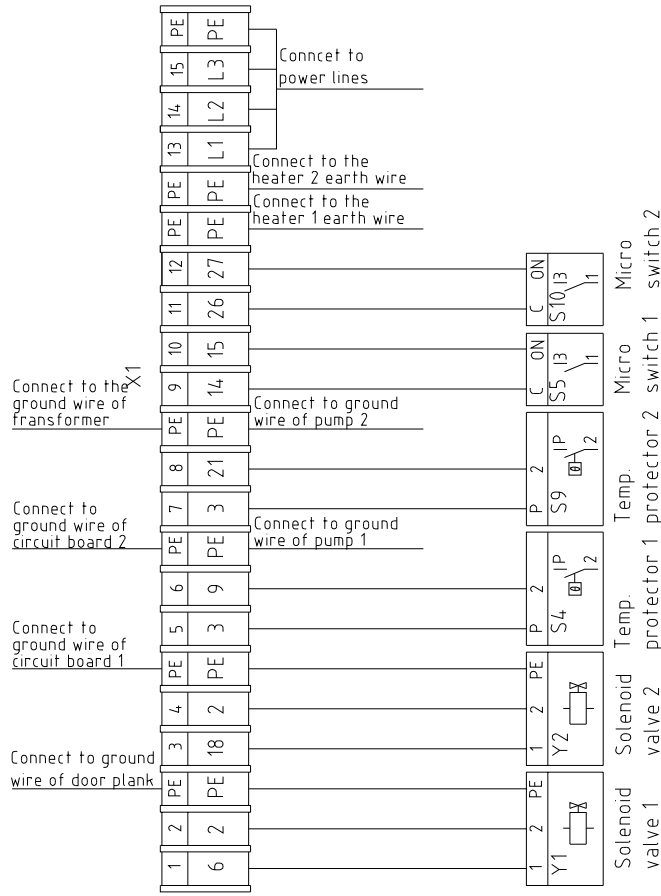
版本 Ver.E

Drawer	Version	F	Title	STM-910-D	Drawing NO	Scale	Page
Designer	Approved By		Electrical Components Layout	STM-910-D-CE-230V-F-4	Standard	CE	Totally 6
Proofread by	Date	20170422			Voltage	230V	Pages
Checked by	Modified by				Frequency	50HZ	
Modify date	After modification						
Before modification							



1 2 3 4 5 6 7 8

Technical requirements: (1) Positive (+) and negative (-) poles of thermocouple should be directly connected to thermocouple's input terminal of circuit board.
 There is no need for them to go through the terminal board.
 (2) Pump and pipe heater should be directly connected to the output terminals of contactor and thermal overload relay.



S11 RS485 Communications wiring diagram

版本	Ver.E
Mark	Before modification
After modification	
Modified by	
Modify date	
Checked by	
Proofread by	
Designer	
Drawer	
Version	F
Approved by	
Date	20170422

Title	STM-910-D	Drawing NO	STM-910-D-CE-230V-F-5
	Terminal Connection Diagram		Standard
Scale		Page	5
Voltage		Totally	6 Pages
Frequency			230V
			50HZ.



1		2		3		4		5		6		7		8	
No.	Symbol	Name	Manufacturer	Type	Specification	Number	Material number	Remark							
1	Q1	Main Switch	EATON	P3-63/EA/SVB	63A	1	YE10636300000								
2	Q2 Q3	Circuit Breakers	TECO	BM-63C	40A	2	YE40304003000								
3		Excitation Release	TECO	MX	24VAC	2	YE40024000000								
4	K1 K2	Contactors	SIEMENS	3RT6015-1AB01	24VAC	2	YE00601502500								
5	K3 K4	Contactors	SIEMENS	3RT6027-1AC20	24VAC	2	YE00602702600								
6	F1 F2	Thermo Overload Relay	SIEMENS	3RU6116-1EB0	2.8-4A	2	YE01160280000								
7	FU1	Fuse Base	CHNT	RT28-32	32A 2P	1	YE41032200000								
8		Fuse Core	MRO	10×38 500V	2A	2	YE46002000100								
9	FU2	Fuse	YINDA	FS-10	----	1	YE41001000000								
10		Fuse	----	6×30/5A	5A	1	YE46630500100								
11	T	Transformer	BAIYUN	IN=230V OUT=24VAC	120VA	1	YE70023005500								
12	S1 S6	Thermocouple	SHINI	----	K	2	----	(1)							
13	S2 S3 S7 S8	Thermocouple	SHINI	----	K	4	----	(2)							
14	S4 S9	Overheat Protector	----	----	250V 5(4)A	2	----	(1)							
15	S5 S10	Micro Switch	RENEW	----	----	2	----	(1)							
16	PC1 PC2 A1 A2	Circuit Board	YUYUN	TM-01 (含通讯)	180~4.30V 50/60Hz	2	YE81012200300								
17	Y1 Y2	Solenoid Valve	----	----	24VAC	2	----	(1)							
18	X1	Terminal Board	----	2.5mm ²	----	12	YE60002503200								
19		Terminal Board	----	2.5mm ² PE	----	4	YE60002503400								
20		Terminal Board	----	6.0mm ² PE	----	2	YE60000603500								
21		Terminal Board	----	16mm ²	----	3	YE60001603200								
22		Terminal Board	----	16.0mm ² PE	----	1	YE60001603500								
23	M1 M2	Motor	SHINI	TP-75	230V 50Hz 0.75kW	2	----	(1)							
24	EH1 EH2	Heater	SHINI	9kW	230V 50Hz	2	----	(1)							
25	H1	Buzzer	----	PK-35A	24VAC/DC	1	YE84003500600								
版本		Ver E	Notes: (1)Means it's not the material inside the control box.(2)Means equipped with function of displaying water outlet and return water temperature.												
			Drawer	Version	Title	Drawing NO		Scale	Page		D				
			Designer	Approved by	STM-910-D	STM-910-D-CE-230V-F-6		Standard	CE		Voltage		230V		
			Proofread by	Date	Electrical Components List						Frequency		50HZ		
Mark	Before modification	Modified by	Modify date	20170422											
1	2	3	4	5	6	7	8								

