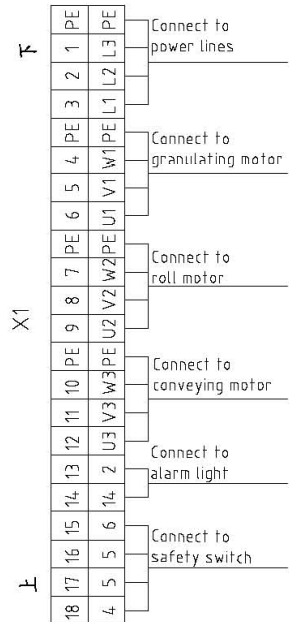
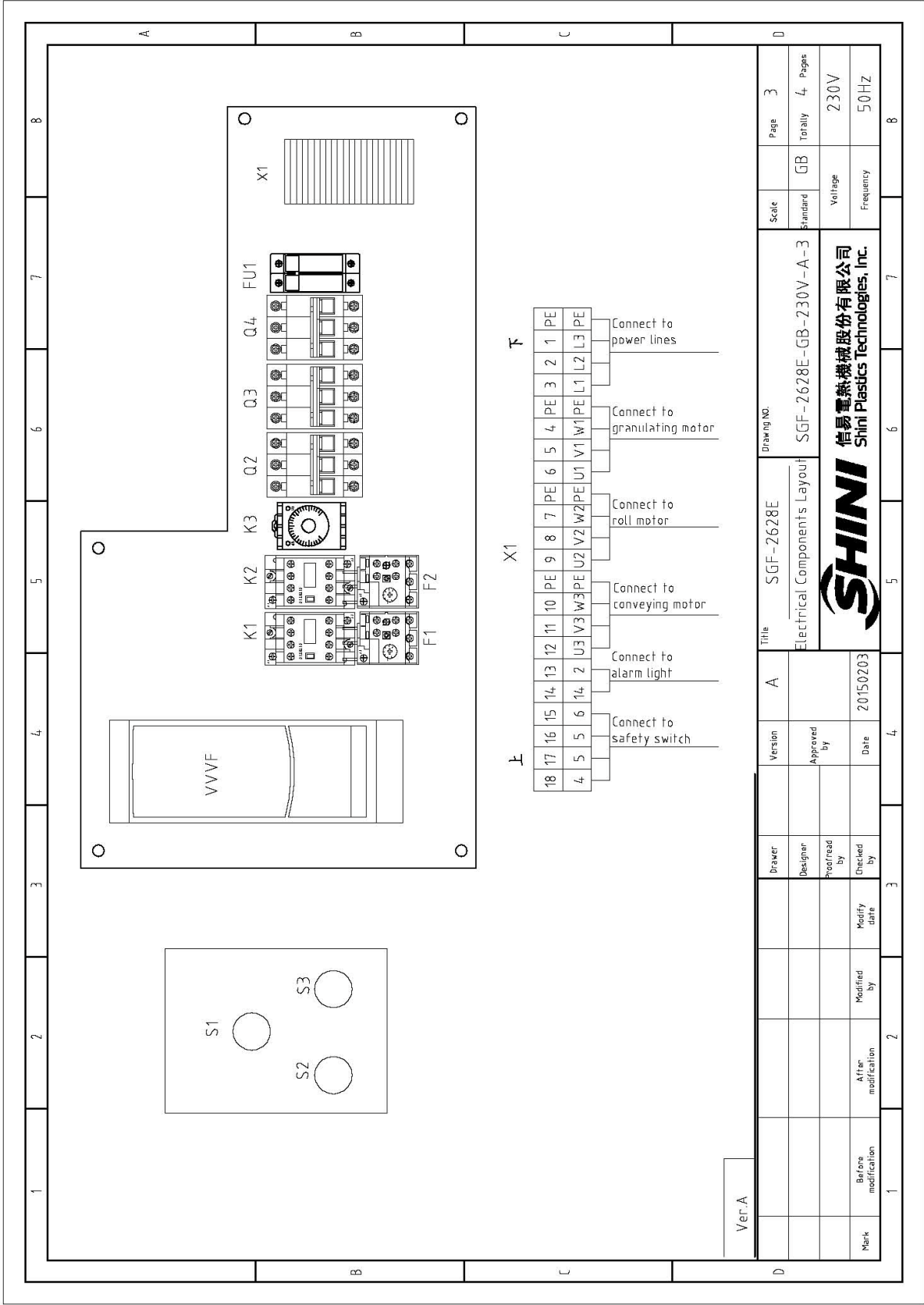


Ver.A		Title		Drawing No.		Scale		Page	
		SGF-2628E		SGF-2628E		GB		1	
		Main Circuit Diagram		SGF-2628E-GB-230V-A-1		Standard		Totally 4	
		A		Version		Voltage		230V	
		Approved by		Approved by		Frequency		50Hz	
		Date		Date					
		20150203		20150203					
		Modified by		Modified by					
		After modification		After modification					
		Before modification		Before modification					
		Mark		Mark					




信易電熱機械股份有限公司  
Shini Plastics Technologies, Inc.

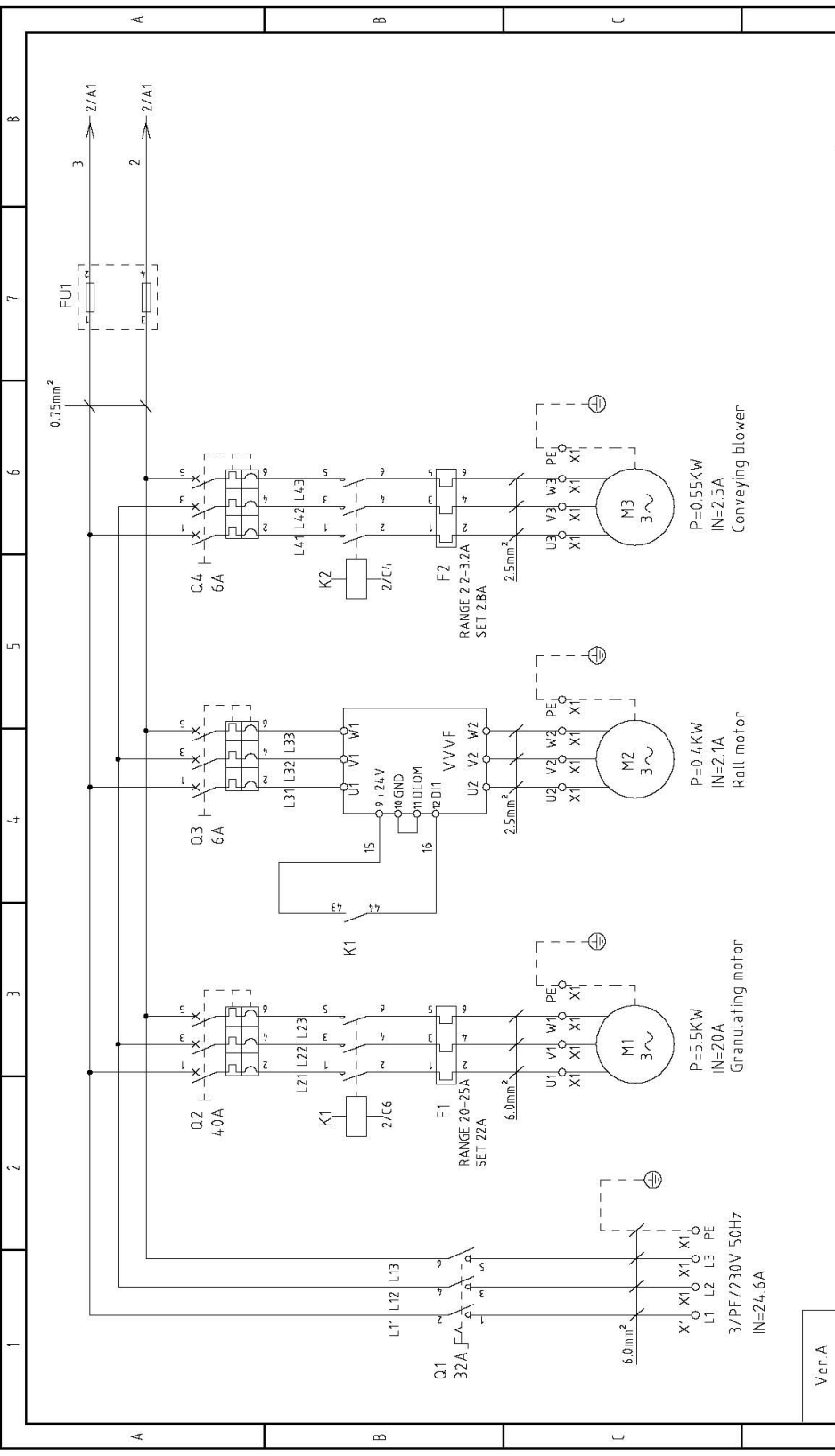




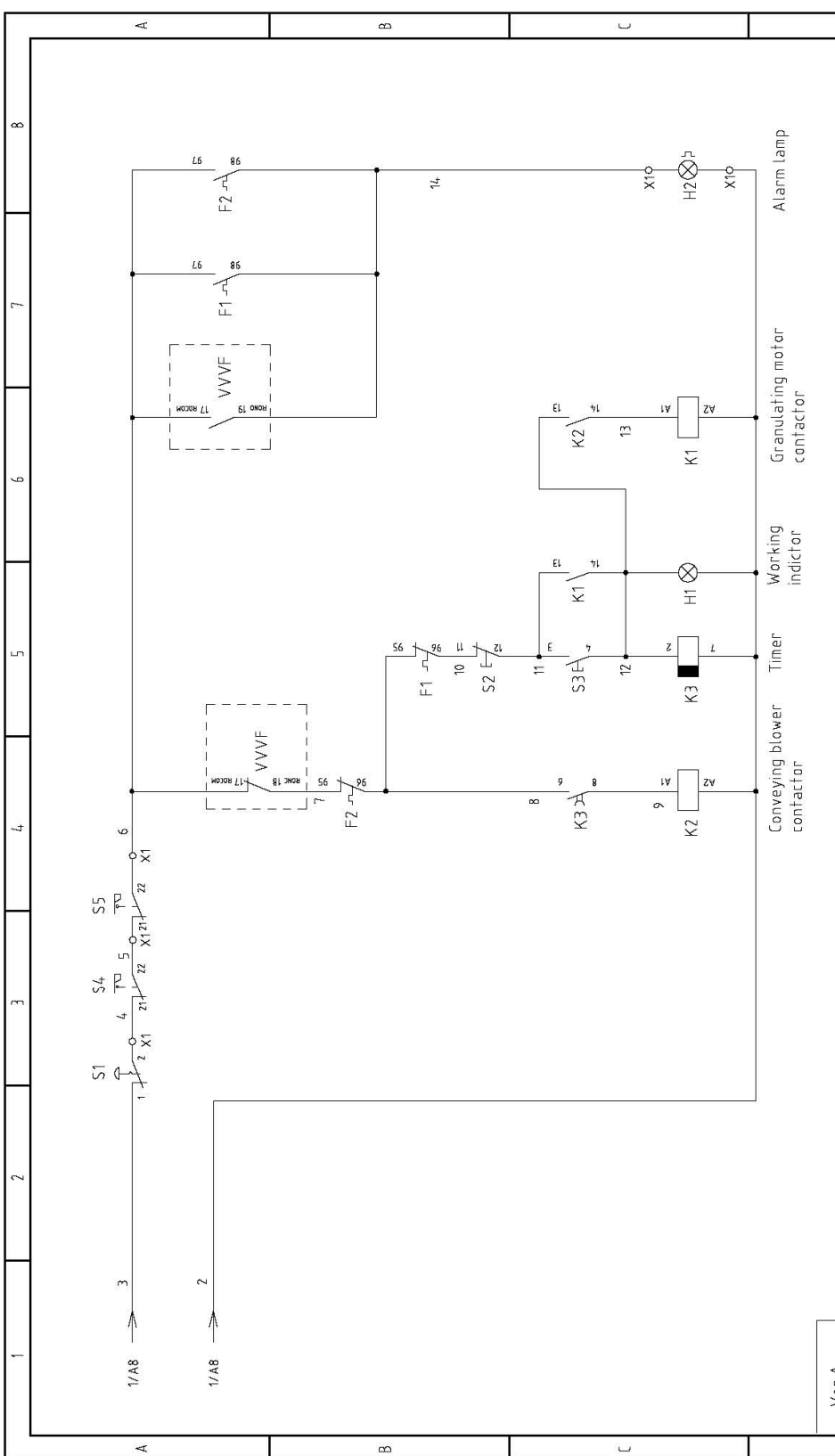
Ver.A

Mark	Before modification	Modified by	Modify date	Checked by	Date	Approved by	Version	A	Title	SGF-2628E	Drawing No.	Scale	Page
	After modification	Modified by	Modify date									Standard	4
Electrical Components Layout											GB	Totally	
SGF-2628E-GB-230V-A-3											Standard	4	
 <b>SHINI</b> 信易電熱機械股份有限公司 Shini Plastics Technologies, Inc.											Voltage	230V	
											Frequency	50HZ	

1	2		3	4	5	6	7	8
NO.	Symbol	Name	Manufacturer	Type	Specification	Number	Material number	Remark
1	Q1	Main power switch	MOELLER	P1-25/EA/SVB	25A	1	YE10125250000	
2	Q2	Circuit-breaker	TECO	BM-63C/3032S	32A	1	YE40303203000	
3	Q3,Q4	Circuit-breaker	TECO	BM-63C/3006S	6A	2	YE40300603000	A
4	K1	Contacto	SIEMENS	3RT6026-1AN20	220VAC 50/60Hz	1	YE00602622000	
5		Auxiliary contactor	SIEMENS	3RH6911-1AA10	1NO	1	YE00691110000	
6	K2	Contacto	SIEMENS	3RT6015-1AN21	220VAC 50/60Hz	1	YE00601521000	
7	K3	Timer relay	YUYUN	TRF-N 3M	220VAC 50/60Hz	1	YE86222000000	
8	F1	Overload relay	SIEMENS	3RU6126-4BB0	14-20A	1	YE01260140000	
9	F2	Overload relay	SIEMENS	3RU6116-1EB0	2.8-4A	1	YE01160280000	
10	FU1	Fuse**	CHNT	RT18-32	2P	1	YE41032200000	
11		Fuse core	CHNT	10x38 500V 1A	2A	2	YE46002000100	B
12	VVVF	Frequency converter	ABB	ACS350-01E-04A7-2	230V 0.75KW	1	YE75350000000	
13	X1	Terminal board	PHOENIX	4,0mm <sup>2</sup>	32A	6	YE61040000000	
14		Terminal board	PHOENIX	4,0mm <sup>2</sup> PE	32A	2	YE61043500000	
15		Terminal board	PHOENIX	2.5mm <sup>2</sup>	32A	12	YE61250040000	
16		Terminal board	PHOENIX	2.5mm <sup>2</sup> PE	32A	2	YE61253500000	
17	S1	Emergency stop button	SCHNEIDER	XB2BS542C	400VAC	1	YE11254200000	
18	S2	Stop button	SCHNEIDER	XB2BA22C	400VAC	1	YE11222000000	
19	S3,H1	Start button(With lamp)	SCHNEIDER	XB2BW33M1C	400VAC	1	YE11223100000	
20	S4,S5	Safety switch	SCHMERSRC	AZ152VK-14-76	AC-15	2	YE16147600100	(1)
21	H2	Indicate lamp	SHINI	LED-3051	220VAC	1	YE83305100200	(1)
22	M1	Motor	---	---	230V 50/60Hz 4.0KW	1	-----	(1)
23	M2	Motor	---	---	230V 50/60Hz 0.4KW	1	-----	(1)
24	M3	Motor	---	---	230V 50/60Hz 0.55KW	1	-----	(1)
Ver.A Notes: (1)Means it's not the material inside the control box. /*means possible broken parts,**means easy broken part. and spare backup is suggested.								
D			Drawer	Version	Title	Drawing NO.	Scale	Page
			Designer	A	SGF-2628E		Standard	4
			Proofread by		Electrical Components List	SGF-2628E-GB-230V-A-4	GB	Totally 4
			Checked by	Date	 <b>信易電熱機械股份有限公司</b> <b>Shini Plastics Technologies, Inc.</b>			230V
Mark			Before modification	20150203	Voltage			50HZ
			After modification		Frequency			50HZ
1	2	3	4	5	6	7	8	



Ver. A		Title		Drawing No.		Scale		Page	
		SGF-2642E		SGF-2642E		GB		1	
		Main Circuit Diagram		SGF-2642E-GB-230V-A-1		Voltage		230V	
		SHINI		信易電熱機械股份有限公司		Frequency		50HZ	
		SHIRI		Shiri Plastics Technologies, Inc.		Standard		Totally 4	
		Version		Approved by		Pages		4	
		Date		20150203		Total		4	
		Designer		Prepared by		Checked by		Modified by	
		Date		Modify date		Before modification		After modification	
		3		4		5		6	
		7		8		9		10	



Ver. A												
Mark	Before modification	After modification	Modified by	Modify date	Checked by	Date	20150203	Designer	Approved by	Version	A	Title
												SGF-2642E Control Circuit Diagram
												SGF-2642E-GB-230V-A-2
												Scale
												Standard
												GB
												Page
												2
												Totally
												4
												Pages
												230V
												Voltage
												50Hz
												Frequency
												8
												8

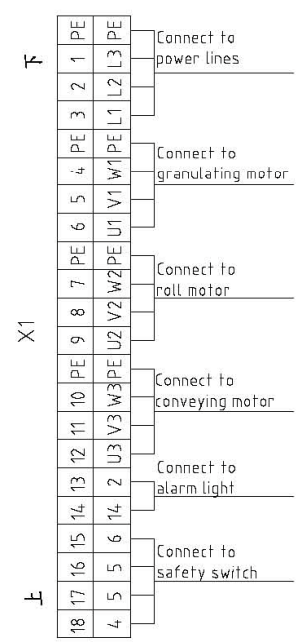
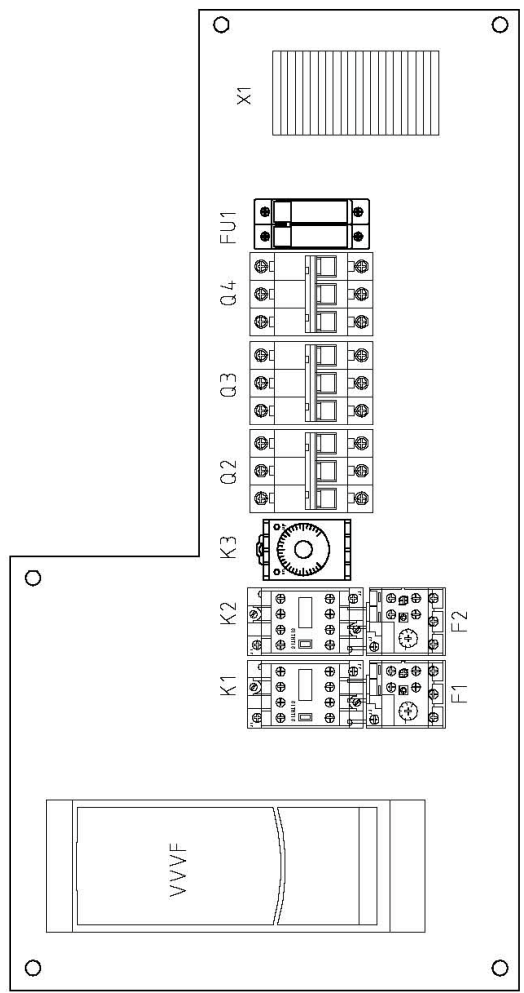
**SHINI**  
信易電熱機械股份有限公司  
Shini Plastics Technologies, Inc.

1 2 3 4 5 6 7 8

A B C D

Conveying blower contactor  
Timer  
Working indicator  
Granulating motor contactor  
Alarm lamp


1 2 3 4 5 6 7 8



Ver. A																	
Mark	Before modification	After modification	Modified by	Modify date	Checked by	Read by	Approved by	Version	A	Title	SGF-2642E Electrical Components Layout		Scale	Standard	Page	Totally	Pages
															3	4	230V
																	50HZ

**SHINI**  
信易電熱機械股份有限公司  
Shini Plastics Technologies, Inc.

1 2 3 4 5 6 7 8

1		2		3		4		5		6		7		8		
NO	Symbol	Name	Manufacturer	Type	Specification	Number	Material number	Remark								
1	Q1	Main power switch	MOELLER	P1-32/EA/SVB	32A	1	YE10323200000									
2	Q2	Circuit-breaker	TECO	BM-63C/3040S	40A	1	YE40304003000									
3	Q3,Q4	Circuit-breaker	TECO	BM-63C/3006S	6A	2	YE40300603000									
4	K1	Contact	SIEMENS	3RT6026-1AN20	220VAC 50/60Hz	1	YE00602622000									
5		Auxiliary contact	SIEMENS	3RH6911-1AA10	1N0	1	YE00691110000									
6	K2	Contact	SIEMENS	3RT6015-1AN21	220VAC 50/60Hz	1	YE00601521000									
7	K3	Timer relay	YUYUN	TRF-N 3M	220VAC 50/60Hz	1	YE86322000000									
8	F1	Overload relay	SIEMENS	3RU6126-4DB0	20-25A	1	YE01260200000									
9	F2	Overload relay	SIEMENS	3RU6116-IDB0	2.2-3.2A	1	YE01160220000									
10	FU1	Fuse**	CHNT	RT18-32	2P	1	YE41032200000									
11		Fuse core	CHNT	10x38 500V 1A	2A	2	YE46002000100									
12	VVVF	Frequency converter	ABB	ACS350-01E-04A7-2	230V 0.75KW	1	YE75350000000									
13	X1	Terminal board	PHOENIX	6.0mm <sup>2</sup>	---	6	YE61060000000									
14		Terminal board	PHOENIX	6.0mm <sup>2</sup> PE	---	2	YE61063500000									
15		Terminal board	PHOENIX	2.5mm <sup>2</sup>	---	12	YE61250040000									
16		Terminal board	PHOENIX	2.5mm <sup>2</sup> PE	---	2	YE61253500000									
17	S1	Emergency stop button	SCHNEIDER	XB2BS542C	400VAC	1	YE11254200000									
18	S2	Stop button	SCHNEIDER	XB2BA22C	400VAC	1	YE11222000000									
19	S3,H1	Start button(with lamp)	SCHNEIDER	XB2BW33M1C	400VAC	1	YE11223100000									
20	S4,S5	Safety switch	SCHMERSRC	AZ152VK-14.76	AC-15	2	YE16147600100	(1)								
21	H2	Indicate lamp	SHINI	LED-3051	220VAC	1	YE83305100200	(1)								
22	M1	Motor	---	---	230V 50/60Hz 5.5KW	1	-----	(1)								
23	M2	Motor	---	---	230V 50/60Hz 0.4KW	1	-----	(1)								
24	M3	Motor	---	---	230V 50/60Hz 0.55KW	1	-----	(1)								
Ver:A		Notes: (1)Means it's not the material inside the control box. /*means possible broken parts.**means easy broken part. and spare backup is suggested.														
		Drawer	Version	Title		Drawing NO.		Scale	Page							
		Designer	Approved by	SGF-2642E		SGF-2642E-GB-230V-A-4		Standard	Totally							
		Proofread by	Date	Electrical Components List				GB	4							
		Checked by	20150203			信易電熱機械股份有限公司		Voltage	230V							
		Modified by		SHINI		Shini Plastics Technologies, Inc.		Frequency	50Hz							
Mark		Before modification	Modify date						8							
		After modification														