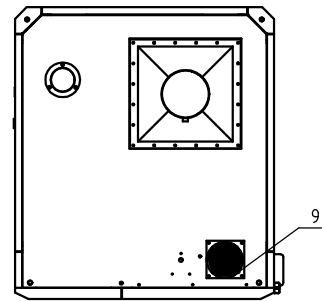
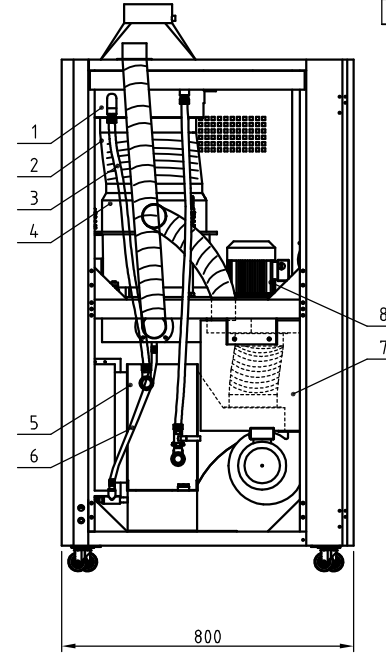
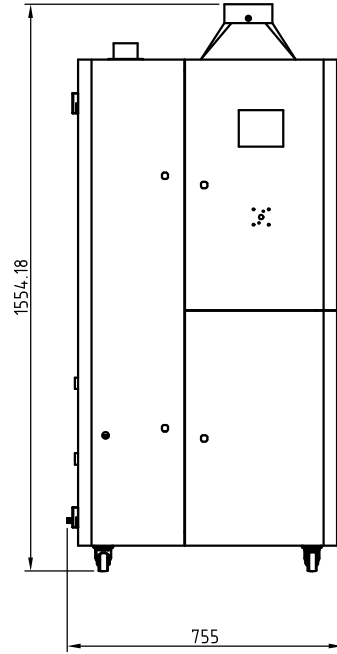
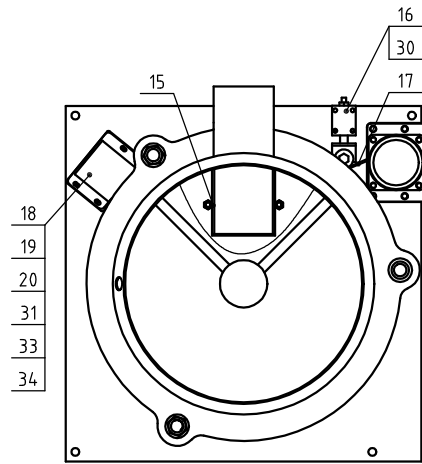
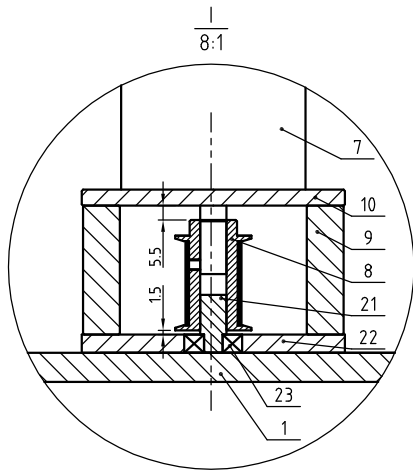
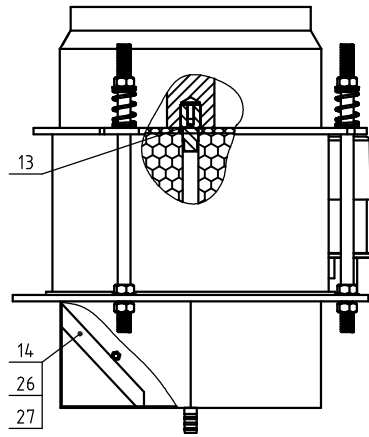
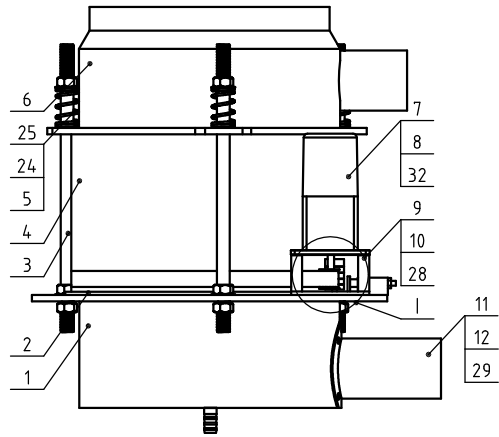


regen. blower power	drying blower power	regen. heater power	dehumidifying air flow	Version No.
0.37KW	0.55KW	6KW	500m <sup>3</sup> /hr	Ver. A
Cooler inlet and outlet size		Cooling water pressure	Cooling water flow	Cooling water temp.
1"PT (Female thread)		1~5Kg	≥44L/min	7℃



9	YM601212064.00	Exhaust fan 12x12CM/24 VAC 50/60HZ with plastic screen	Assembly	1	
8	YM30000500300	Multi-blade centrifugal fan DF-5	Assembly	1	
7	SMD-500H-D-ALL	Heating tank	Assembly	1	
6	YR60161604000	Pressure resistant MAX.-16 inner dia.16mm pressure resistant 40bar(Hanguo Sanshan brand)	Assembly	1	L=1M
5	SMD-500H-C-ALL	Cooler assembly	Assembly	1	
4	SMD-500H-B-ALL	Honeycomb assembly	Assembly	1	
3	YR60252500000	Pressure resistant MAX.-25 inner dia.25mm pressure resistant 20bar 40bar(Sanshan brand)	Assembly	1	L=2.2M
2	YW90310300000	Sandwich type air pipe #310x23CHSMD-500H-ALL-04)	Assembly	1	
1	YW88100000600	Cooler 2 SMD-500H-ALL-01	Assembly	1	
No.	Material No.	Name	Mat.	Num.	Remarks

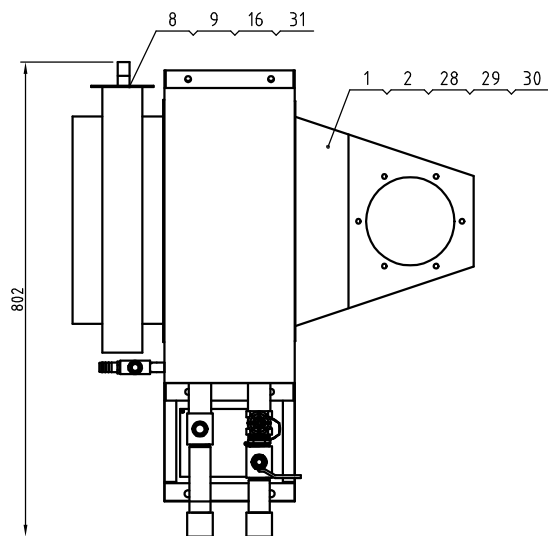
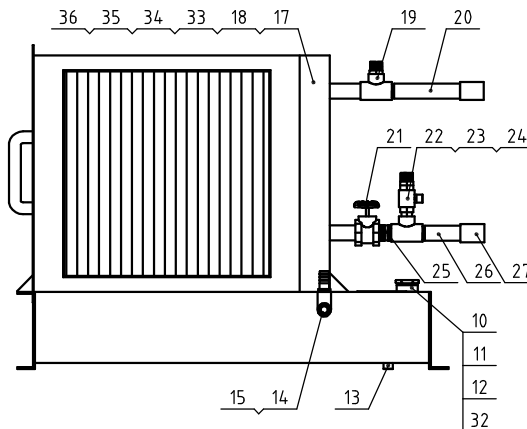
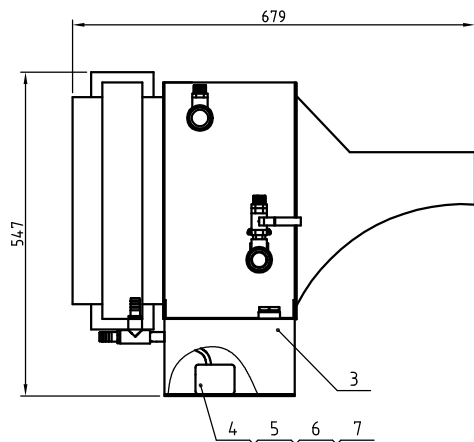
				制图	版号	SMD-500H		图号	SMD-500H-ALL		比例	1:15	数量	1
				设计	核准	模具除湿机					材质			
				校对							表面要求			
标记	更改前	更改后	更改人	日期	审核	日期	<b>SHINI</b> 信易电热机械股份有限公司 Shini Plastics Technologies, Inc.		物料号		BP33500300700			



34	YW63032500000	Cross socket pan head screw GB/T-818 M3x25-Longzine		2	
33	YW63040600000	Cross socket pan head screw GB/T-818 M4x6-Longzine		3	
32	YW61068200000	Inner hex. cylindrical screw GB/T170.1 M6x85-A2-70(SUS)		4	
31	YW68004500000	Inner hex. flat head lock screw GB/T777 M4x5-Longzine		3	
30	YW63044500000	Cross socket pan head screw GB/T-818 M4x45-Longzine		2	
29	YW62051500000	Large cross socket flat head screw JIS1111 M5x6-Longzine		4	
28	YW64000600300	Hex. nut GB/T6170 M6-Longzine		4	
27	YW66061300000	Flat washer A grade GB/T97.16-Longzine		12	
26	YW60061500100	Hex. bolt GB/T5783 M6x16-12.9-Longzine		4	
25	YW64001600000	Hex. nut GB/T6170 M16-Longzine		9	
24	YW66163000000	Flat washer A grade GB/T97.16-Longzine		12	
23	YW11062700000	Bearing 6272ZMC3E	Assembly	1	
22	BH33702200010	Gear motor fixed plate 2 SD-700H-B-22	6061	1	
21	BH33702300010	Fixed shaft SD-700H-B-23	SUS201	1	
20	BL04402200020	Micro switch fixed plate	SUS201	1	
19	YE14511200000	Limit switch YBLXW-5/11G2	Assembly	1	
18	YR40330900000	Micro switch box	ABS	1	
17	YR00304700000	Synchronous rubber 470XL	Rubber	1	
16	SD-400H-A-40	Belt regulator	Assembly	1	
15	SMD-500H-B-05	Regen. cooling plate	SUS201	1	
14	SMD-500H-B-03	Drying cooling plate	SUS201	1	
13	BH10020003110	Honeycomb mount shaft SD-200H-A-31	45	2	
12	SMD-500H-B-06	Air inlet pipe sealing pad	white silica gel	1	
11	SMD-500H-B-04	Lower cover air inlet pipe	welding parts	1	
10	BH13040003810	Gear motor mount plate SD-400H-A-38	AL	1	
9	BH10070001510	Positioning pipe SD-400H-A-37(ver.B)	AL6061	4	
8	YW08001400000	Synchronous wheel	45	1	
7	YM50512600000	Gear motor 3GN-10XK/3GN-60K/3K15GN-C-T	Assembly	1	
6	SMD-500H-B-02	Honeycomb upper cover	welding parts	1	
5	YW01201800000	Spring wire dia. 2.0x inner dia.18xL80mm distance 8	70	3	
4	YW71352000800	Honeycomb SMD-500H-B-08	full silica gel	1	
3	BH10533000010	Double-head screw SD-40H-B-07	SUS200	3	
2	SMD-500H-B-07	Teflon+red silica gel	Teflon+red silica gel	2	
1	SMD-500H-B-01	Honeycomb lower cover	welding parts	1	
No.	Material No.	Name	Mat.	Num.	Remarks

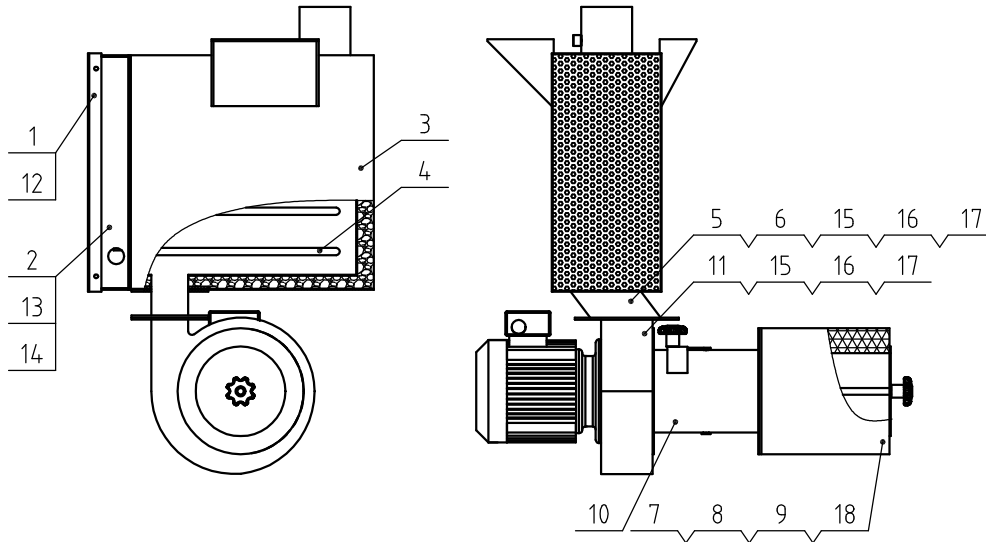
					制图	版号	标题	SMD-500H	图号	SMD-500H-B-ALL	比例	1:6	数量	1
					设计	核准	蜂巢组件					材质		
					校对						表面要求			
标记	更改前	更改后	更改人	日期	审核	日期					物料号			

**SHINI** 信易电热机械股份有限公司  
Shini Plastics Technologies, Inc.



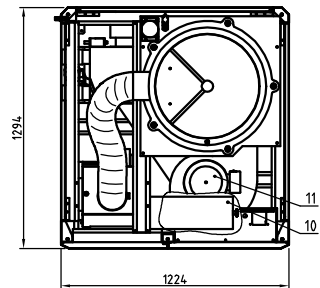
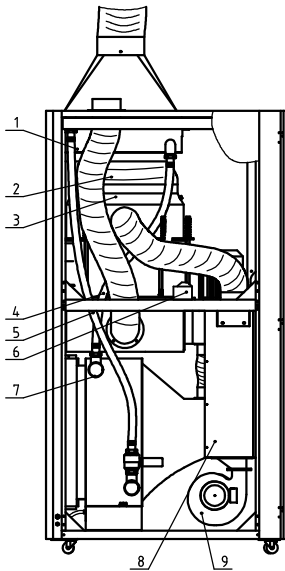
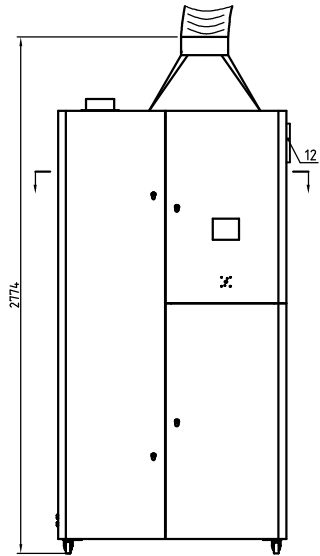
36	YW60102500000	Hex. bolt GB/T5783 M10x25-12.9-Longzine		4	
35	YW66102000100	Flat washer A grade GB/T97.1 10(11x20x2)-Longzine		6	
34	YW65010000000	Standard spring washer GB/T93 10-Longzine		4	
33	YW64001000100	Hex. nut GB/T6170 M10-Longzine		2	
32	YW63040600000	Cross recessed pan head screw GB/T-818 Mx6-Longzine		2	
31	YW62061000000	Large cross socket flat head screw JIS111 Mx10-Longzine		1	
30	YW60061500100	Hex. bolt GB/T5783 Mx16-12.9-Longzine		40	
29	YW65006000100	Standard spring washer GB/T93 6-Longzine		40	
28	YW66061300000	Flat washer A grade GB/T97.16-Longzine		40	
27	YW51000100000	Galvanized water pipe direct connector 1"		2	
26	SMD-500H-C-10	1" PT pipe both-end male thread 1		1	
25	YW50000100000	Galvanized water pipe inner connector 1"(male thread)		1	
24	BH12030401510	Copper insert 3/4"PTxφ25(S-124)		2	
23	YW50030400000	Copper ball valve 3/4"		1	
22	YW50003400600	Galvanized water pipe inner connector 3/4"(male thread)		1	
21	YW50000101000	Sluice valve 1"		1	
20	SMD-500H-C-09	1" PT pipe both-end male thread		1	
19	YW52013400100	Galvanized water pipe diameter varied 3-way 1"x3/4"		2	
18	SMD-500H-C-05	Cooler washer	EVA	1	
17	SMD-500H-C-06	Cooler 1 SMD-500H-C-06	Assembly	1	
16	SMD-1000H-C-08	Filter fender	SUS201	1	borrow
15	YW52100200000	Galvanized water pipe 3-way 1/2"		1	
14	BH12121600010	Copper insert 1/2"PTxφ16(S-133)		2	
13	YW80010200100	Plug 1/4"	SUS201	1	
12	SMD-500H-C-02	Water pump cover plate	SUS201	1	
11	YW59710100000	Float ball	Assembly	1	
10	BH12011000020	Copper coupler	H58	1	
9	YW90050000700	Filter core SMD-500H-C-07	Assembly	1	
8	SMD-500H-C-03	Filter cover	Welding parts	1	
7	YR60121000000	Air pipe φ12xφ8		0.02	
6	YW80120800500	Air pipe quick direct diameter varied connector APG12-8		1	
5	YM20245000100	Liquid level pump AC24V10W	Assembly	1	
4	YR60000800000	PU air pipe φ8 blue	PU	1	
3	SMD-500H-C-01	Dew tank	Welding parts	1	
2	SMD-500H-C-08	Air cover washer	EVA	2	
1	SMD-500H-C-04	Air cover	Welding parts	1	
No.	Material No.	Name	Mat.	Num.	Rem.

					制图		版号		标题	SMD-500H 冷却器组件	图号	SMD-500H-C-ALL	比例	1:8	数量	1
					设计		核准							材质		
					校对								表面要求			
标记	更改前	更改后	更改人	日期	审核		日期			信易电热机械股份有限公司 Shini Plastics Technologies, Inc.		物料号				



18	YW62061000000	Large cross socket pan head screw JIS1111 M6x10-Longzine		4	
17	YW66081900000	Flat washer A grade GB/T97.1 8(9x16x1.6)- Longzine		16	
16	YW65008000100	Standard spring washer GB/T93 8-Longzine		12	
15	YW60082500100	Hex. bolt GB/T5783 M8x25-12.9-Longzine		12	
14	YW66061300000	Flat washer A grade GB/T97.16- Longzine		12	
13	YW62061500000	Large cross socket pan head screw JIS1111 M6x15-Longzine		12	
12	YW62051500000	Large cross socket pan head screw JIS1111 M5x15-Longzine		4	
11	YM30000600000	Multi-blade centrifugal blower DF-6	Assembly	1	0.37KW
10	SMD-1000H-D-13	Air adjusting valve	Assembly	1	borrow
9	YW09675100000	Small star nut 5/16	Aluminum	2	
8	YR50181900000	Filter HAR ext. 188x inner 114/88xH191	Assembly	1	
7	SMD-500H-D-03	Filter fixed bracket	SPCC2.0	1	
6	SMD-500H-D-05	Sealing washer	EVA3.0	2	
5	SMD-500H-D-07	Large blower flange	SPCC	1	
4	BH70006300450	Pipe heater 6KW(SMD-500H-D-06)	Assembly	1	
3	SMD-500H-D-01	Heating case	Assembly	1	
2	SMD-500H-D-02	Pipe heater mount plate	SECC2.0	1	
1	SMD-500H-D-04	Heating tank cover plate	Q235A	1	
No.	Material No.	Name	Mat.	Num.	Rem.

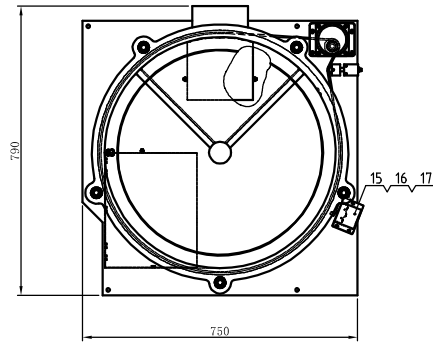
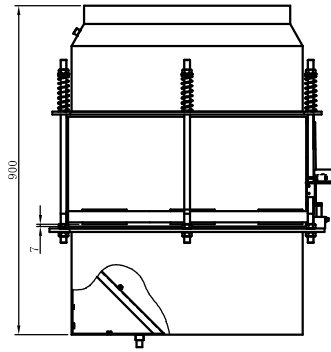
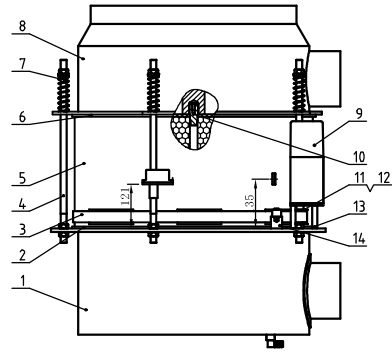
					制图	版号	标题	图号	比例	1:10	数量	1
					设计	核准	SMD-500H 加热箱	SMD-500H-D-ALL			材质	
					校对		信易電熱機械股份有限公司 Shini Plastics Technologies, Inc.			表面要求		
标记	更改前	更改后	更改人	日期	审核	日期				物料号		



regen. blower power	drying blower power	regen. heater power	dehumidifying air flow	Version No.
0.75KW	3KW	30KW	3000m <sup>3</sup> /hr	Ver.C
cooler inlet and outlet port dimension	cooling water pressure	cooling water flow	cooling water temp.	
2.5"PT(female thread)	1-5Kg	≥190L/min	7°C	

12	YM601212064.00	Exhaust blower D-200P/20VAC 50/60Hz with plastic screen		1	
11	YM30001200300	Multi-blade centrifugal fan 2P-12 100mm(27.9mm)/90mm blower 30W 2P		1	
10	YR5024.14.00100	Filter AD33 Fastener rubber		1	
9	YM30000800600	SMD-3000H-C-ALL-111 ver.B Multi-blade centrifugal fan 2P-ALL 100mm(27.9mm)/90mm blower 1.750W 2P		1	
8	SMD-3000H-D-ALL	Heating case		1	
7	SMD-3000H-C-ALL	Honeycomb assembly		1	
6	BH90115000050	Assembly E00115-3229 55.10262.16		1	
5	YW59151800000	Teflon + connector 15*184 (2000)		1	
4	YW59151200000	Teflon + connector 15*124 (2000)		1	
3	SMD-3000H-B-ALL	Honeycomb assembly		1	
2	YW90222100000	Clamp air pipe 4564*3mm*25mm SMD-3000H-ALL-16		1	
1	YW88300001400	Caster 2 SMD-3000H-01		1	

序号	代号	名称	材质	数量	备注
		标题 SMD-3000H		比例 1:20	数量
		图号 SMD-3000H-ALL		材料	
		模具除湿机		表面要求	
		<b>SHINI</b> 信昌电热机械股份有限公司 Shini Plastics Technologies, Inc.		物料号	
标记	更改前	更改后	更改人	日期	审核
					日期



17	BL04402200020	Hex nut M16x20	1	
16	YE14511200000	Last nut M16x14	1	
15	YR400006000600	Hex screw M6x10	1	
14	BH10200002610	Ball regulator S2-2000H-A-39	1	
13	BH13100900010	Pushing pin S2-2000H-B-PRL115	4	
12	BH11301000010	Synchronizing wheel SMD-3000H-B-115	1	
11	YW09151100000	Synchronizing wheel SMD-3000H-B-11 for SMD-3000H-B-11	1	
10	BH11101300010	Honeycomb gear S2 for SMD-3000H-B-11	2	
9	YM10960000000	Gear motor E1096G050P SMD-3000H-B-11	1	
8	BL09300000020	Honeycomb upper cover SMD-3000H-B-21	1	
7	YW01180300000	Spring inner dia. 18mm wire dia. 3mm L. 80mm	5	
6	YR1020010300	Upper cover ball ring SMD-3000H-B-11	1	
5	YW71065000800	Honeycomb roller (SMD-3000H-B-11 for Abolika part)	1	
4	BH10543000010	Double-head screw S2-2000H-B-11 for Abolika part	5	
3	YR00358600000	Synchronizing belt SMD-3000H-B-11 (see notes)	1	
2	YR10200010200	Lower cover ball ring SMD-3000H-B-11	1	
1	BL09300000120	Honeycomb lower cover SMD-3000H-B-21	1	

序号	代号	名称	材质	数量	备注
标题 SMD-3000H 图号 SMD-3000H-B-ALL 蜂巢组件					
<b>SHINI</b> 信昌電熱機械股份有限公司 Shini Plastics Technologies, Inc.					
				比例	数量
				表面要求	材质
				物料号	

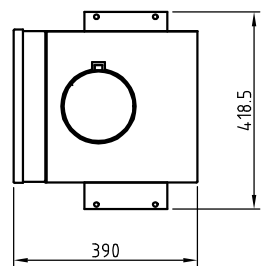
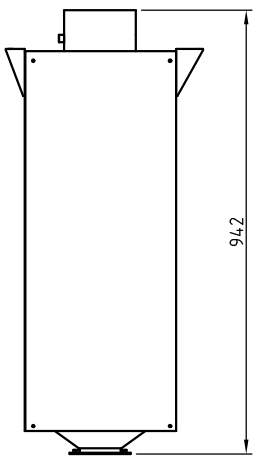
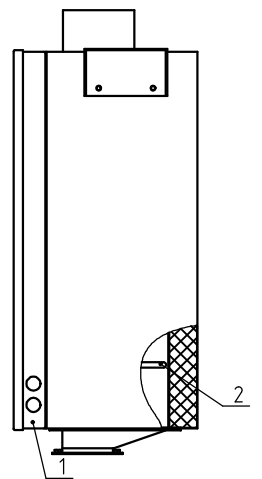
标记	更改前	更改后	更改人	日期	审核	日期

制图	版号	核准

标题	图号
SMD-3000H	SMD-3000H-B-ALL

表面要求	物料号





2	BH70300002450	Pipe heater 30KW/34230V/400V SMD-3000H-D-10M		1	
1	SMD-3000H-D-03	Pipe heater mount plate		1	
序号	代 号	名 称	材 质	数 量	备 注

					制图		版号		标题	SMD-3000H	图号	SMD-3000H-D-ALL	比例		数量	
					设计		核		加热箱					材质		
					校对		准		<b>信易電熱機械股份有限公司</b> <b>Shini Plastics Technologies, Inc.</b>			表面要求				
标记	更改前	更改后	更改人	日期	审核		日期			物料号						