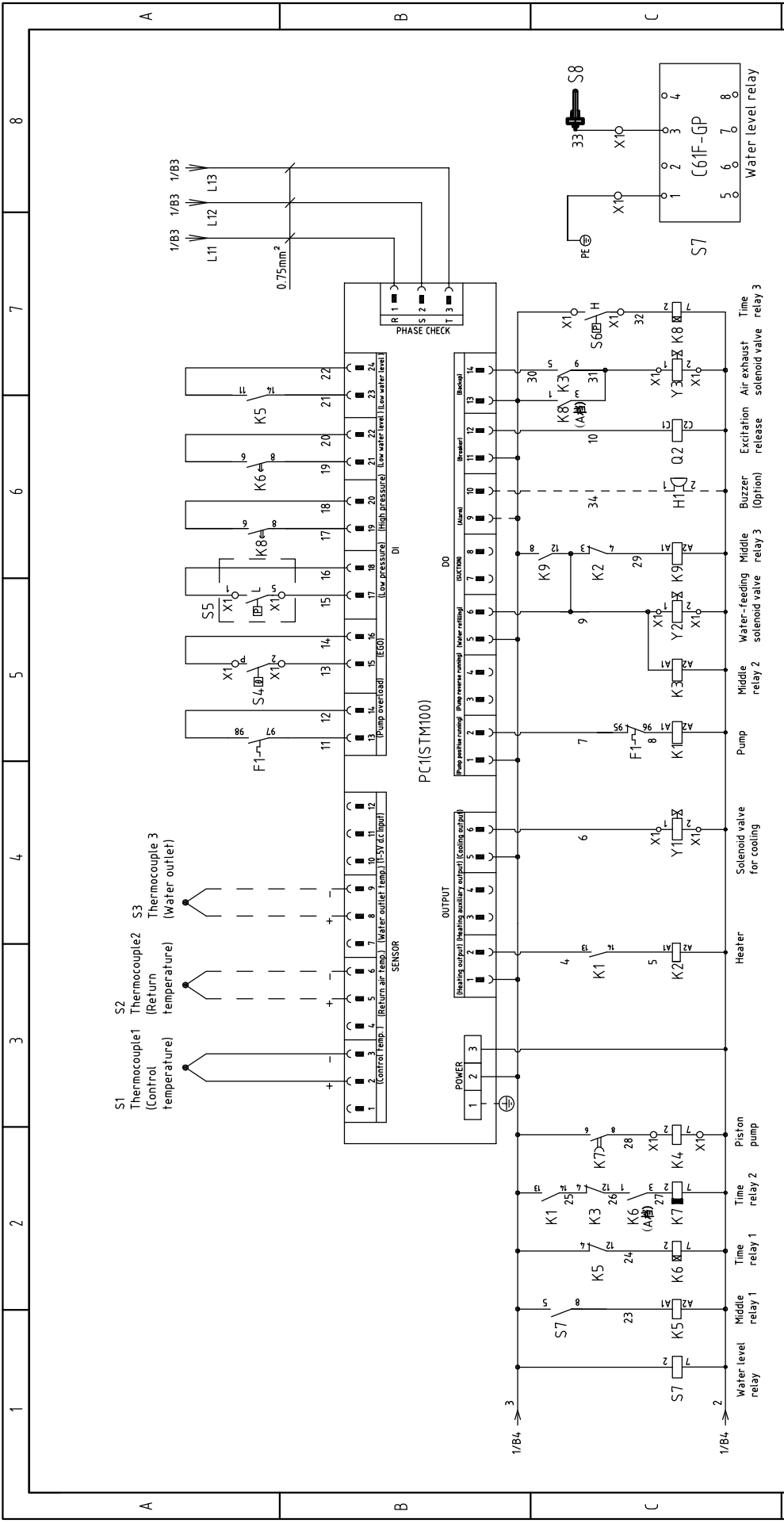


版本	Ver.F
Mark	Before modification
	After modification
	Modified by
	Modify date
	Checked by
	Proofread by
	Designer
	Drawer
	Version
	D
	Approved by
	Date
	20161103

Title		Drawing NO.	
STM-607PW		STM-607PW-CE-400V-D-1	
Main Circuit Diagram		Standard	
		CE	
		Voltage	
		400V	
		Frequency	
		50HZ	
		Page	
		1	
		Totally	
		5	
		Pages	



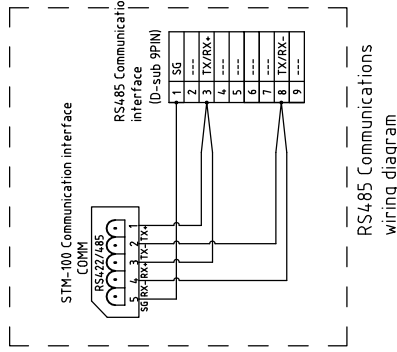
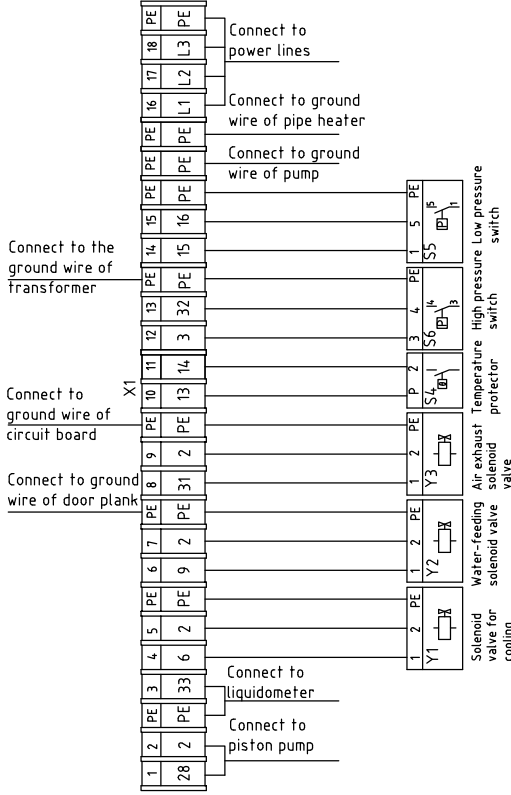
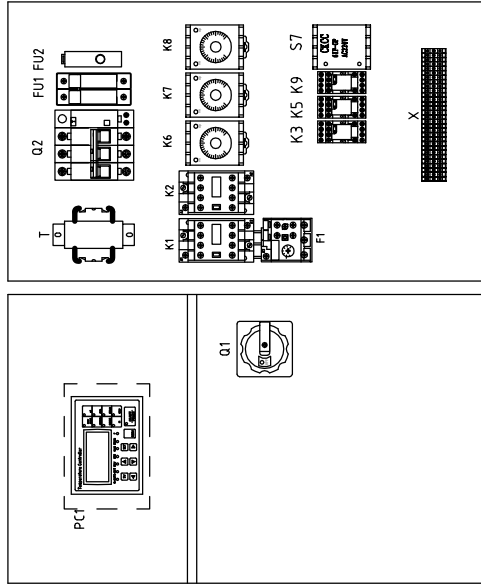


Note: Preset time of K6 is 3mins.(this time could be set according to actual situation), preset time of K7 is 30 secs. (adjusting range: 30-60 secs.), preset time of K8 is 5 secs. (could never be changed).

版本	Ver.F
Mark	Before modification
Modified by	
Modify date	
Checked by	
Proofread by	
Designer	
Drawer	
Version	D
Title	STM-607PW Control Circuit Diagram
Drawing NO.	STM-607PW-CE-400V-D-2
Scale	Standard
Page	2
Totally	5
Pages	
Voltage	400V
Frequency	50HZ



Technical requirements: (1) Positive (+) and negative (-) poles of thermocouple should be directly connected to thermocouple's input terminal of circuit board. There is no need for them to go through the terminal board.  
 (2) Pump and pipe heater should be directly connected to the output terminals of contactor and thermal overload relay.



Note: this figure is only for reference which is no need of wiring

版本 Ver.F

Mark	Before modification	Modified by	Date	20161103	Checked by	Proofread by	Designer	Drawer	D	Title	STM-607PW	Drawing NO.	STM-607PW-CE-4.00V-D-3	Scale	Standard	Page	3
	After modification									Electrical Components Layout					CE	Totally	5
																Voltage	400V
																Frequency	50Hz

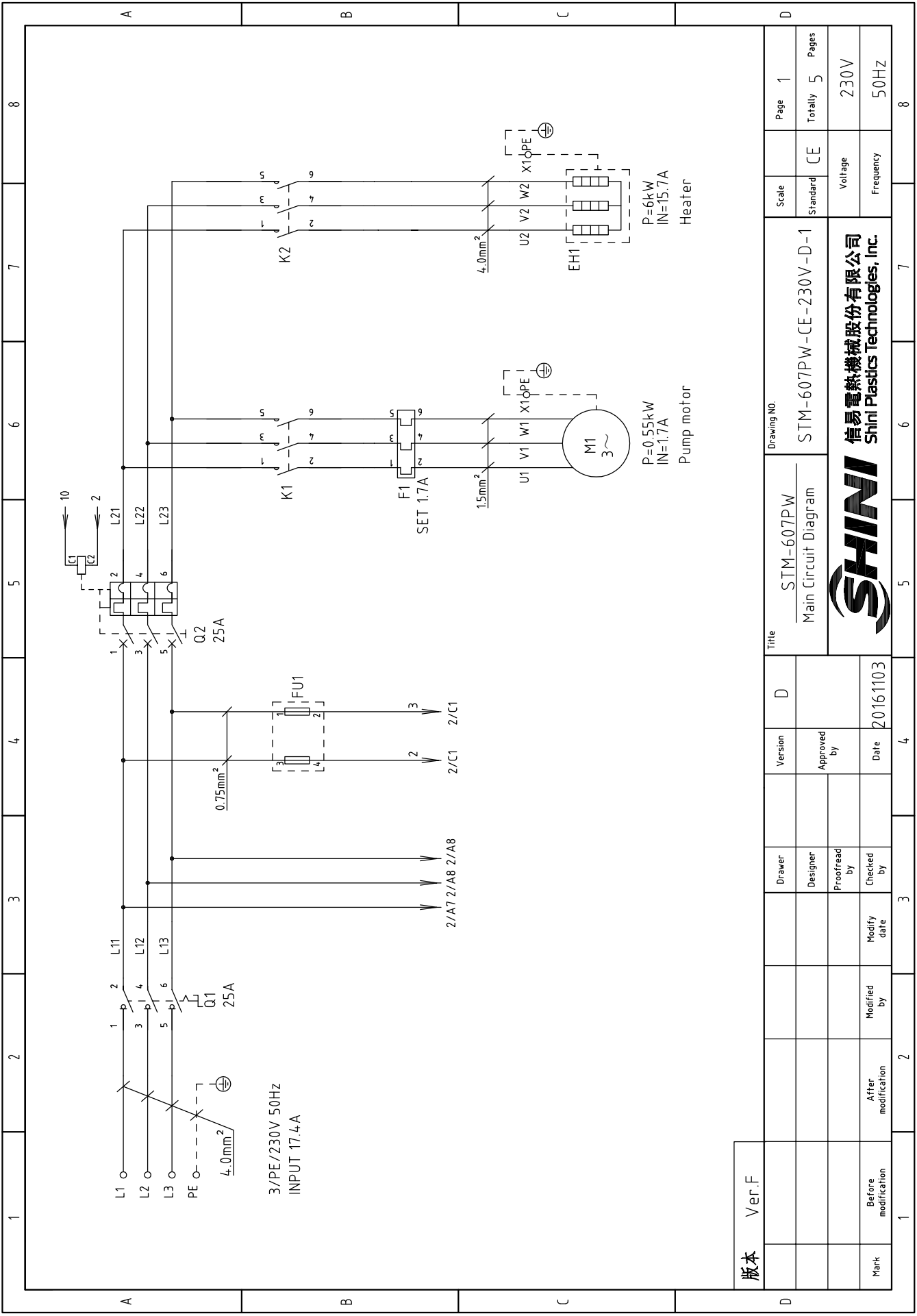


1		2		3		4		5		6		7		8	
NO.	Symbol	Name	Manufacturer	Type	Specification	Number	Material number	Remark							
1	Q1	Main Switch	EATON	TO-2-1/EA/SVB	16A	1	YE10021160000								
2	Q2	Circuit breakers	TECO	BM-63C/3016S	16A	1	YE40301603000								
3		Excitation release	CHINT	MX	----	1	YE40023560000								
4	K1	Contactors	SIEMENS	3RT6016-1AN21	220V 50/60HZ	1	YE00601621000								
5		Auxiliary block	SIEMENS	3RH6911-1AA10	1N0	1	YE00691110000								
6	K2	Contactors	SIEMENS	3RT6018-1AN22	220V 50/60HZ	1	YE00601800100								
7	F1	Thermo overload relays	SIEMENS	3RU6116-0KB0	0.9-1.25A	1	YE01160900000								
8	FU1	Fuse base	CHNT	RT18-32	32A 2P	1	YE41032200000								
9		Fuse core	MRO	10x38 500V	2A	2	YE46002000100								
10	FU2	Fuse	YINDA	FS-10	2A	1	YE41001000000								
11	K3 K5 K9	Middle relay	WEIDEMILE	DRM270730LT	230VAC 50/60HZ	3	YE03270700000								
12	K4	Plunger pump	----	----	----	1	----	(1)							
13	K6	Timer	YUYUN	TH3M-NAB/3S-60M/AC220V	230VAC 50HZ	1	YE86300300000								
14	K7	Timer	YUYUN	TRF-N/3M	230VAC 50HZ	1	YE86322000000								
15	K8	Timer	YUYUN	TH3A-NAB 60S	230VAC 50HZ	1	YE86300600000								
16	T	Transformer	BAIYUN	IN=400V OUT=230V	300mA	1	YE70402300700								
17	PC1	Circuit board	HANYOUNGNUX	STM100-21-HPW	180~430V 50/60HZ	1	YE81100210500								
18	X1	Terminal board	HONEYWELL	SK2.5	2.5mm <sup>2</sup>	18	YE60002503200								
19		Terminal board	HONEYWELL	GK2.5PE	2.5mm <sup>2</sup> PE	9	YE60002503400								
20	S1	Thermocouple	SHINI	----	----	1	----	(1)							
21	S2 S3	Thermocouple	SHINI	----	----	2	----	(1)(3)							
22	S4	Temperature protector	EGO	----	----	1	----	(1)							
23	S5	L0 pressure switch	FENSHEN	----	----	1	----	(1)							
24	S6	Hl pressure switch	FENSHEN	----	----	1	----	(1)							
25	S7	Water level relay	----	C61F-GP	230VAC 50HZ	1	YE02612200000								
版本		Ver.F	Notes: (1)Means it's not the material inside the control box.(2)Means it's equipped with buzzer.(3)Means equipped with function of displaying water outlet and return water temperature		Drawing NO.		Scale		Page		4		8		
			Designer	Approved by	STM-607PW		Standard		CE		Voltage		400V		
			Proofread by		Electrical Components list 1		STM-607PW-CE-400V-D-4		Frequency		50HZ		5		
Mark		Before modification	Modified by	Modify date	Date		20161103								
1		2		3		4		5		6		7		8	



信易电热机械股份有限公司  
Shini Plastics Technologies, Inc.

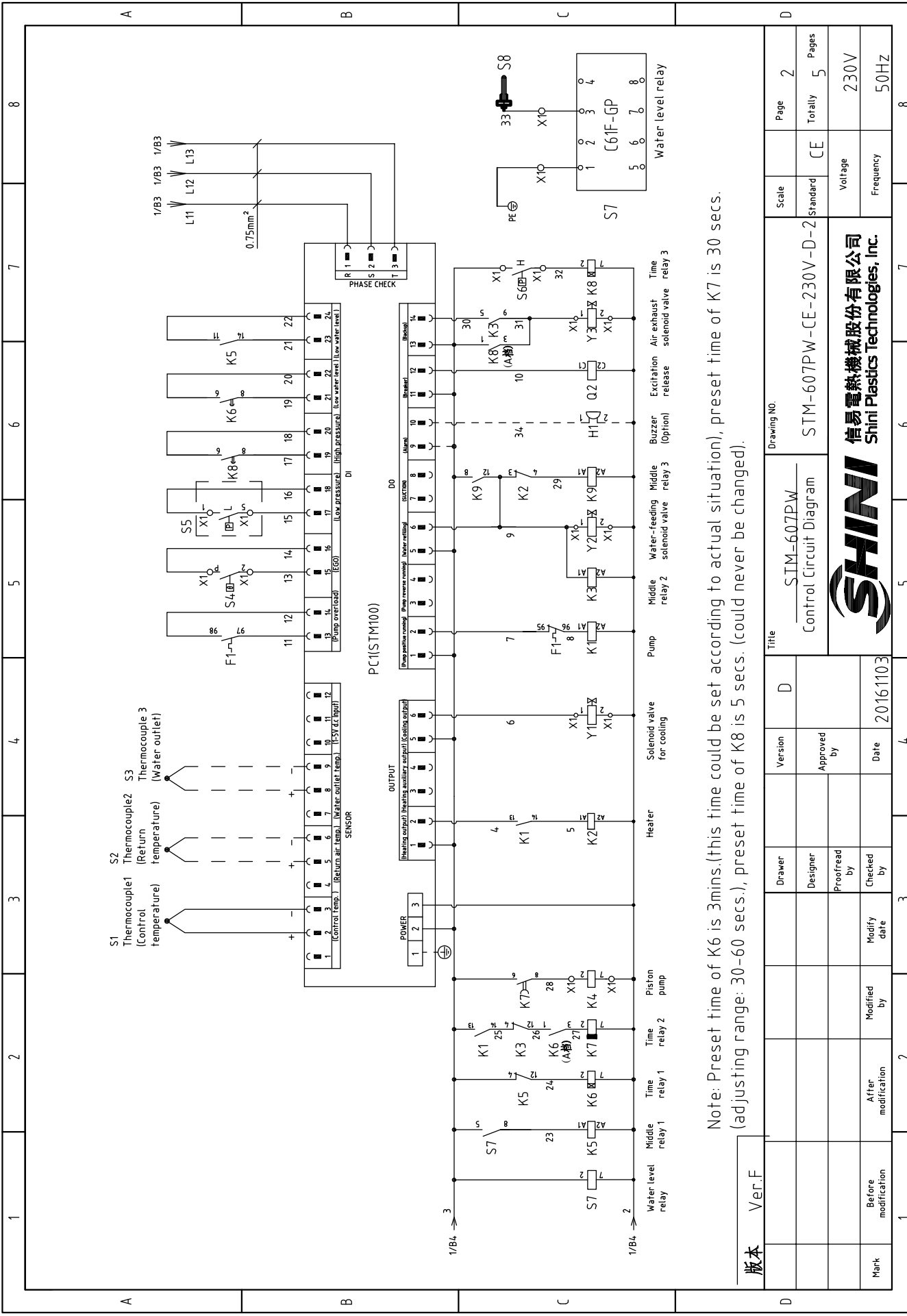
1		2		3		4		5		6		7		8				
NO.	Symbol	Name	Manufacturer	Type	Specification	Number	Material number	Remark										
26	S8	Water level probe	----	----	----	1	----	(1)										
27	Y1 Y2 Y3	Solenoid valve	----	----	230VAC 50/60Hz	3	----	(1)										
28	H1	Buzzer	SHINI	PF-35A	230V 50Hz	1	YE8400350000	(2)										
29	M1	Motor	SHINI	0.55kw	400V 50/60Hz	1	----	(1)										
30	EH	Heater	SHINI	6kW	400V 50/60Hz	1	----	(1)										
									A									
									B									
									C									
									D									
<b>版本</b> Ver.F Notes: (1)Means it's not the material inside the control box.(2)Means it's equipped with buzzer.(3)Means equipped with function of displaying water outlet and return water temperature.																		
			Title		Drawing NO.		Scale		Page									
			STM-607PW		STM-607PW-CE-400V-D-5		Standard		CE		Voltage		400V					
			Electrical Components List 2				Frequency		Frequency		50HZ							
			SHINI		信易電熱機械股份有限公司		SHINI		Shini Plastics Technologies, Inc.									
			Date		20161103													
			1		2		3		4		5		6		7		8	



版本	Ver.F
Mark	Before modification
	After modification
	Modified by
	Modify date
	Checked by
	Proofread by
	Designer
	Drawer
Version	D
Approved by	
Date	20161103

Title		Drawing NO.	
STM-607PW		STM-607PW-CE-230V-D-1	
Main Circuit Diagram		Scale	
		Standard	
		Voltage	
		Frequency	
		Page	
		Totally	
		Pages	
		230V	
		50HZ	





Note: Preset time of K6 is 3mins.(this time could be set according to actual situation), preset time of K7 is 30 secs. (adjusting range: 30-60 secs.), preset time of K8 is 5 secs. (could never be changed).

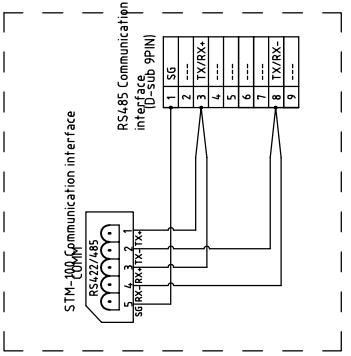
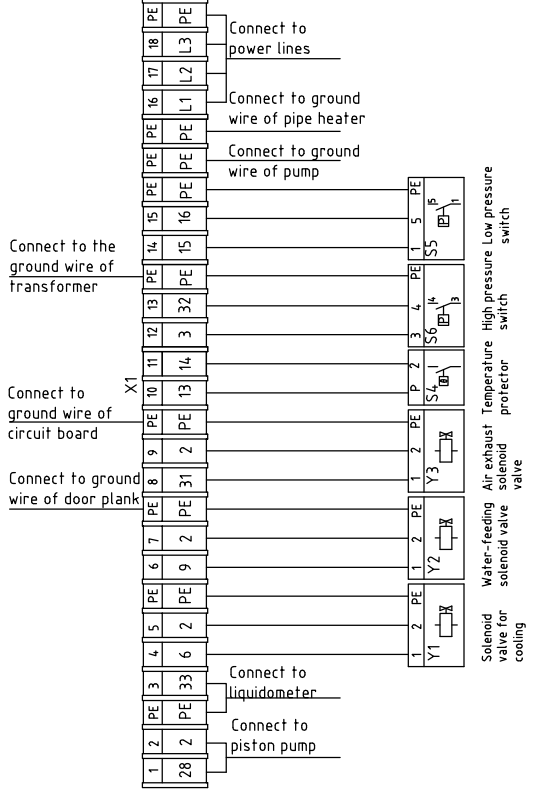
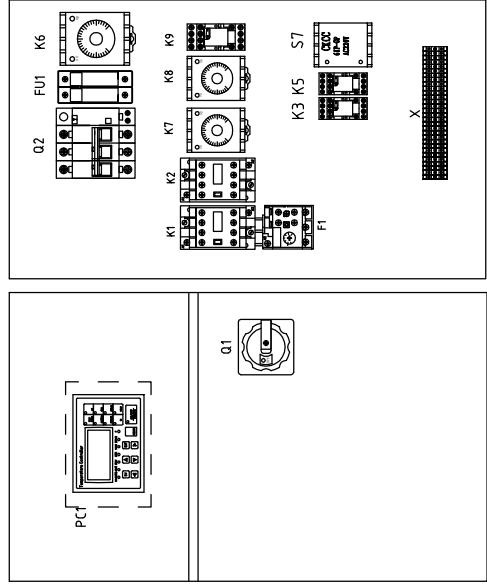
Mark	Before modification	Modified by	Modify date
Mark	After modification	Checked by	Date
Mark	Ver.F	Proofread by	20161103
Mark		Designer	
Mark		Drawer	

Version	D	Title	STM-607PW Control Circuit Diagram
Approved by		Drawing NO.	STM-607PW-CE-230V-D-2

Scale	Standard	CE	Page	2
Voltage	230V		Totally	5
Frequency	50HZ		Pages	



Technical requirements: (1) Positive (+) and negative (-) poles of thermocouple should be directly connected to thermocouple's input terminal of circuit board. There is no need for them to go through the terminal board.  
 (2) Pump and pipe heater should be directly connected to the output terminals of contactor and thermal overload relay.



Note: this figure is only for reference which is no need of wiring.

版本	Ver.F
Mark	Before modification
Mark	After modification
Modified by	
Modify date	20161103
Checked by	
Proofread by	
Designer	
Drawer	

Title		STM-607PW		Drawing NO.		STM-607PW-CE-230V-D-3	
Version		D		Electrical Components Layout		Standard	
Approved by				SHINI		Page 3	
Date		20161103		SHINI 信易电热机械股份有限公司 Shini Plastics Technologies, Inc.		Totally 5 Pages	
Modified by				Voltage		230V	
Modify date				Frequency		50HZ	
Checked by				Scale		CE	
Proofread by				Title		Page 3	
Designer				Drawing NO.		STM-607PW-CE-230V-D-3	
Drawer				Electrical Components Layout		Standard	
Version		D		SHINI		Page 3	
Approved by				SHINI 信易电热机械股份有限公司 Shini Plastics Technologies, Inc.		Totally 5 Pages	
Date		20161103		Voltage		230V	
Modified by				Frequency		50HZ	
Modify date				Scale		CE	
Checked by				Title		Page 3	
Proofread by				Drawing NO.		STM-607PW-CE-230V-D-3	
Designer				Electrical Components Layout		Standard	
Drawer				SHINI		Page 3	

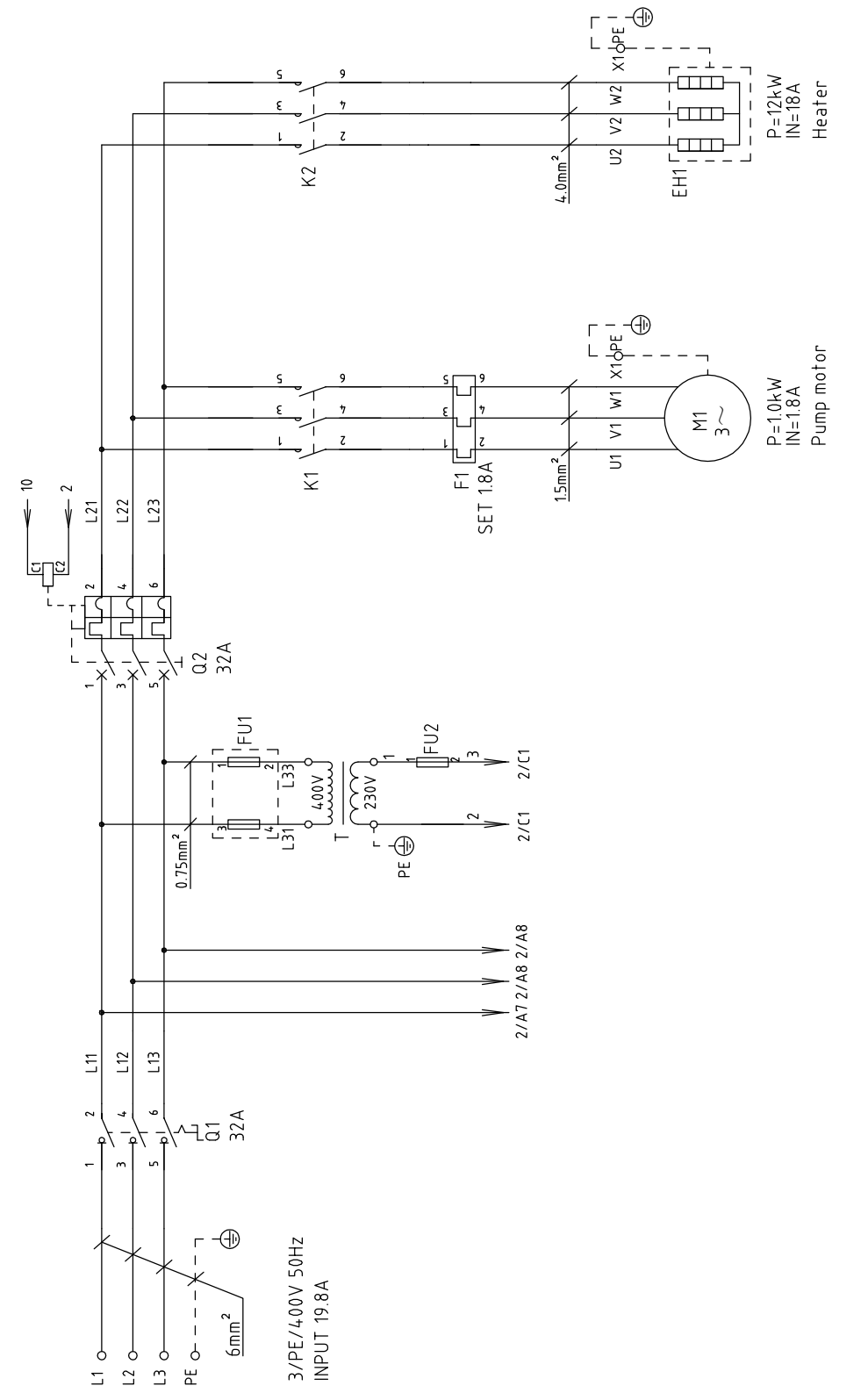


1		2		3		4		5		6		7		8	
NO.	Symbol	Name	Manufacturer	Type	Specification	Number	Material number	Remark							
1	Q1	Main switch	EATON	P1-25/EA/SVB	25A	1	YE10125250000								
2	Q2	Circuit breakers	TECO	BM-63C/3025S	25A	1	YE40302503000								
3		Excitation release	CHINT	MX	----	1	YE40023560000								
4	K1	Contactors	SIEMENS	3RT6016-1AN21	220V 50/60HZ	1	YE00601621000								
5		Auxiliary block	SIEMENS	3RH6911-1AA10	1N0	1	YE00691110000								
6	K2	Contactors	SIEMENS	3RT6025-1AN20	220V 50/60HZ	1	YE00602522000								
7	F1	Thermo overload relays	SIEMENS	3RU6116-1BB0	1.4-2A	1	YE01160140000								
8	FU1	Fuse base	CHNT	RT18-32	32A 2P	1	YE41032200000								
9		Fuse core	MRO	10x38 500V	2A	2	YE46002000100								
10	K3 K5 K9	Middle relay	WEIDEMILE	DRM270730LT	230VAC 50/60HZ	3	YE03270700000								
11	K4	Plunger pump	----	----	----	1	----	(1)							
12	K6	Timer	YUYUN	TH3M-NAB/3S-60M/AC220V	230VAC 50HZ	1	YE86300300000								
13	K7	Timer	YUYUN	TRF-N/3M	230VAC 50HZ	1	YE86322000000								
14	K8	Timer	YUYUN	TH3A-NAB 60S	230VAC 50HZ	1	YE86300600000								
15	PC1	Circuit board	HANYOUNGNUX	STM100-21-HPW	180~430V 50/60HZ	1	YE81100210500								
16	X1	Terminal board	HONEYWELL	SK4	4.0mm <sup>2</sup>	3	YE600000403200								
17		Terminal board	HONEYWELL	GK5PE	4.0mm <sup>2</sup> PE	2	YE600000403500								
18		Terminal board	HONEYWELL	SK2.5	2.5mm <sup>2</sup>	15	YE60002503200								
19		Terminal board	HONEYWELL	GK2.5PE	2.5mm <sup>2</sup> PE	7	YE60002503400								
20	S1	Thermocouple	SHINI	----	----	1	----	(1)							
21	S2 S3	Thermocouple	SHINI	----	----	2	----	(1)(3)							
22	S4	Temperature protector	EGO	----	----	1	----	(1)							
23	S5	LO pressure switch	FENSHEN	----	----	1	----	(1)							
24	S6	HI pressure switch	FENSHEN	----	----	1	----	(1)							
25	S7	Water level relay	----	C61F-GP	230VAC 50HZ	1	YE02612200000								
版本		Ver.F	Notes: (1)Means it's not the material inside the control box.(2)Means it's equipped with buzzer.(3)Means equipped with function of displaying water outlet and return water temperature.												
			Drawer	Version	D	Title		Drawing NO.		Scale		Page			
			Designer	Approved by		STM-607PW		STM-607PW-CE-230V-D-4		Standard		Page 4			
			Proofread by			Electrical Components list 1				CE		Totally 5 Pages			
Mark	Before modification	Modified by	Modify date	Date	20161103				Voltage		230V				
			Checked by						Frequency		50HZ				
1	2	3	4	5	6	7	8								



信易电热机械股份有限公司  
Shini Plastics Technologies, Inc.

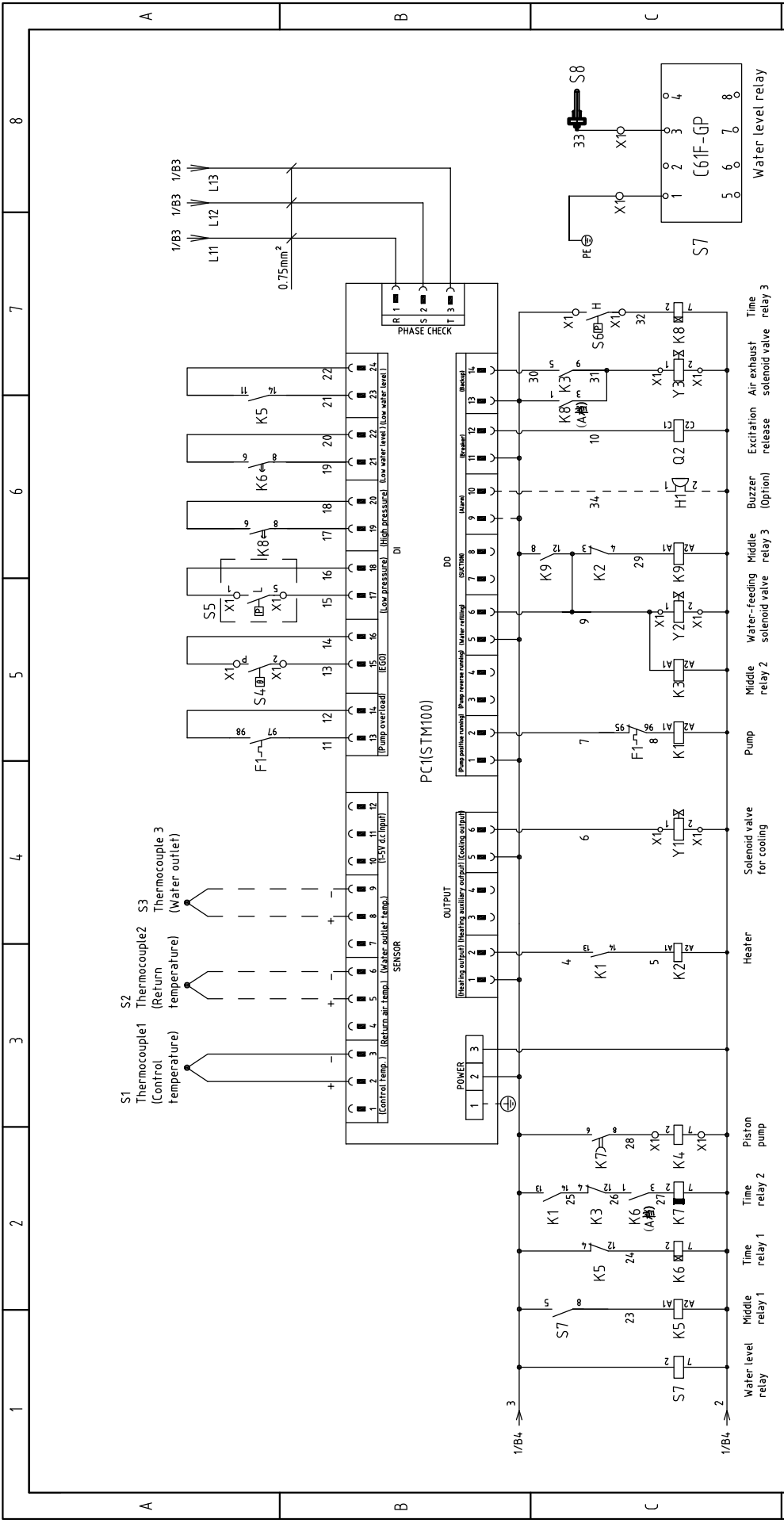
1	2	3	4	5	6	7	8	
NO.	Symbol	Name	Manufacturer	Type	Specification	Number	Material number	Remark
26	S8	Water level probe	----	----	----	1	----	(1)
27	Y1 Y2 Y3	Solenoid valve	----	----	230VAC 50/60Hz	3	----	(1)
28	H1	Buzzer	SHINI	PF-35A	230V 50Hz	1	YE84003500000	(2)
29	M1	Motor	SHINI	0.55kw	230V 50/60Hz	1	----	(1)
30	EH	Heater	SHINI	6kW	230V 50/60Hz	1	----	(1)
A								
B								
C								
D								
<b>版本</b> Ver.F Notes: (1)Means it's not the material inside the control box.(2)Means it's equipped with buzzer.(3)Means equipped with function of displaying water outlet and return water temperature.								
Title			Version		Drawing NO.		Scale	
STM-607PW			D		STM-607PW-CE-230V-D-5		Standard	
Electrical Components List 2			Approved by				CE	
SHINI			Date		Voltage		Page	
信易電熱機械股份有限公司			20161103		Frequency		5	
Shini Plastics Technologies, Inc.					230V		5	
					50HZ		8	
1	2	3	4	5	6	7	8	



版本	Ver.F
Mark	Before modification
	After modification
	Modified by
	Modify date
	Checked by
	Proofread by
	Designer
	Drawer
	Version
	D
	Approved by
	Date
	20161103

Title		Drawing NO.	
STM-1220PW		STM-1220PW-CE-4.00V-D-1	
Main Circuit Diagram		Scale	
		Standard	
		CE	
		Voltage	
		400V	
		Frequency	
		50HZ	
		Page	
		1	
		Totally	
		5	
		Pages	
		8	





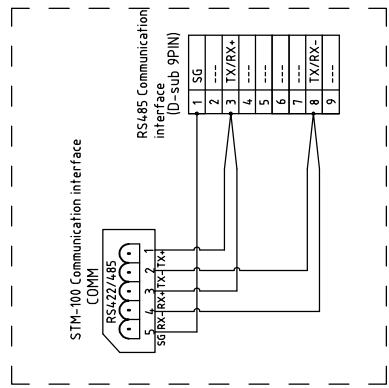
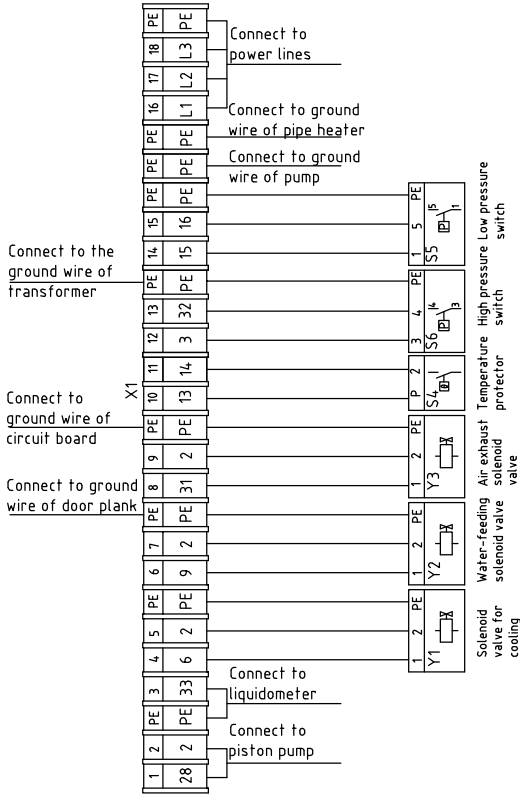
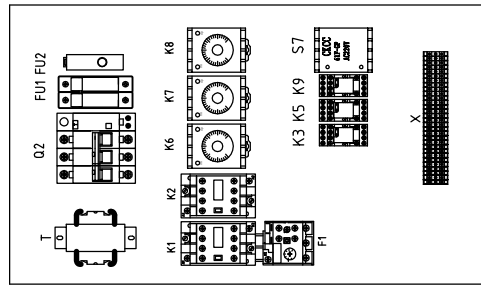
Note: Preset time of K6 is 3mins.(this time could be set according to actual situation), preset time of K7 is 30 secs. (adjusting range: 30-60 secs.), preset time of K8 is 5 secs. (could never be changed).

版本	Ver.F
Mark	Before modification
	Modified by
	Modify date
	Checked by
	Proofread by
	Designer
	Drawer

Scale	Standard	CE	Page	2
Voltage	400V		Totally	5
Frequency	50HZ		Pages	

Title		Drawing NO.		
STM-1220PW		STM-1220PW-CE-400V-D-2		
Control Circuit Diagram				
SHINI		信易电热机械股份有限公司 Shini Plastics Technologies, Inc.		
Version	D	5	6	7
Approved by				
Date	20161103			
1	2	3	4	8

Technical requirements: (1) Positive (+) and negative (-) poles of thermocouple should be directly connected to thermocouple's input terminal of circuit board. There is no need for them to go through the terminal board.  
 (2) Pump and pipe heater should be directly connected to the output terminals of contactor and thermal overload relay.



Note: this figure is only for reference which is no need of wiring.

版本	Ver.F
Mark	Before modification
Mark	After modification

Drawer	D
Designer	
Proofread by	
Checked by	
Modify date	20161103

Version	D
Approved by	
Date	20161103
Title	STM-1220PW Electrical Components Layout
Drawing NO.	STM-1220PW-CE-400V-D-3
Scale	Standard
Page	3
Standard	CE
Totally	5
Pages	5
Voltage	400V
Frequency	50HZ



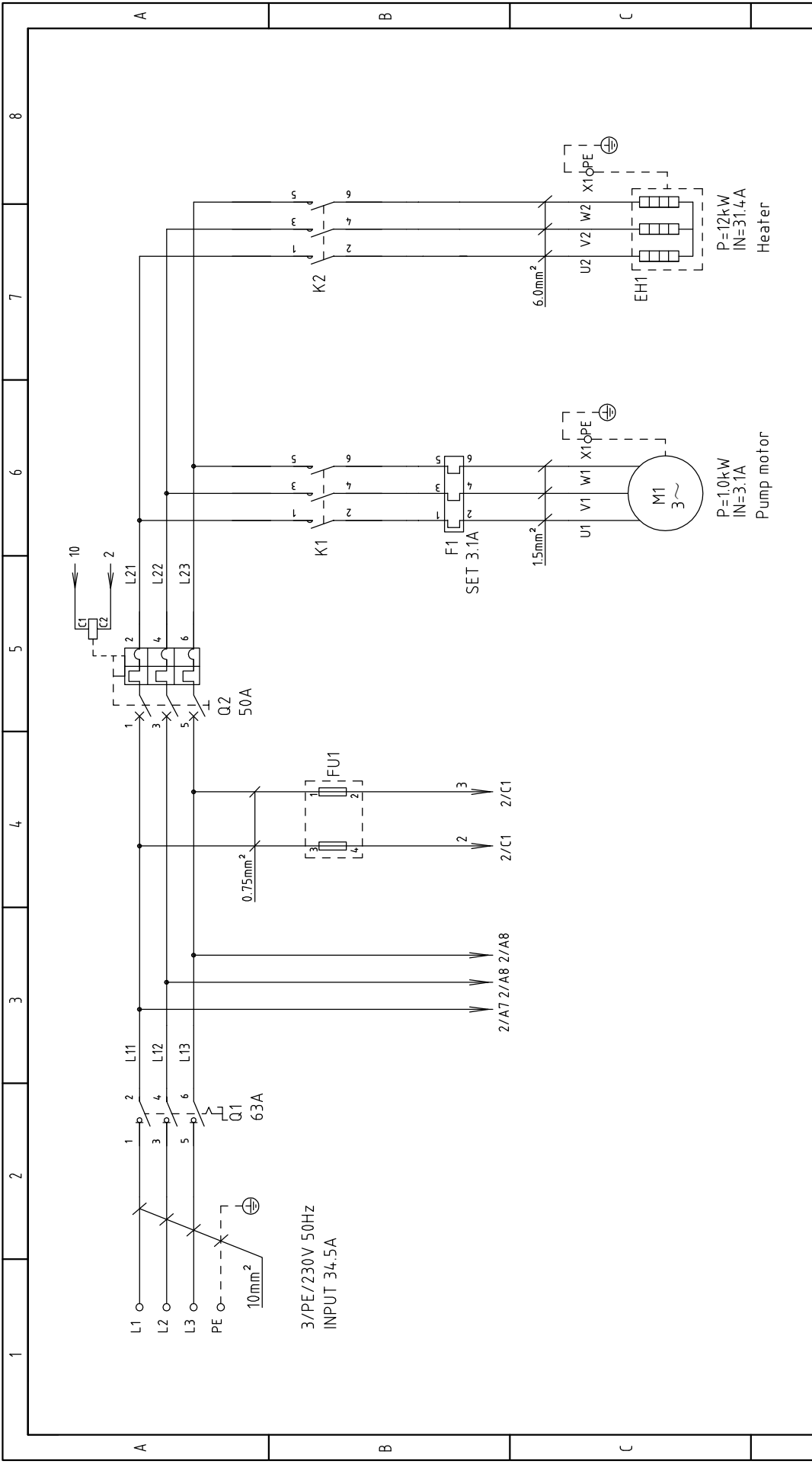
1	2		3			4		5		6		7		8	
NO.	Symbol	Name	Manufacturer	Type	Specification	Number	Material number	Remark							
1	Q1	Main switch	EATON	P1-32/EA/SVB 32A	32A	1	YE10323200000								
2	Q2	Circuit breakers	TECO	BM-63C/3032S	32A	1	YE40303203000								
3		Excitation release	CHINT	MX	----	1	YE40023560000								
4	K1	Contactors	SIEMENS	3RT6016-1AN21	220V 50/60Hz	1	YE00601621000								
5		Auxiliary block	SIEMENS	3RH6911-1AA10	1NO	1	YE00691100000								
6	K2	Contactors	SIEMENS	3RT6027-1AN20	220V 50/60Hz	1	YE00602722000								
7	F1	Thermo overload relays	SIEMENS	3RU6116-1CB0	1.8-2.5A	1	YE01160180000								
8	FU1	Fuse base	CHNT	RT18-32	32A 2P	1	YE41032200000								
9		Fuse core	MRO	10x38 500V	2A	2	YE46002000100								
10	FU2	Fuse	YINDA	FS-10	2A	1	YE41001000000								
11	K3 K5 K9	Middle relay	WEIDEMILE	DRM270730LT	230VAC 50/60HZ	3	YE03270700000								
12	K4	Plunger pump	----	----	----	1	----	(1)							
13	K6	Timer	YUYUN	TH3M-NAB/3S-60M/AC220V	230VAC 50HZ	1	YE86300300000								
14	K7	Timer	YUYUN	TRF-N/3M	230VAC 50HZ	1	YE86322000000								
15	K8	Timer	YUYUN	TH3A-NAB 60S	230VAC 50HZ	1	YE86300600000								
16	T	Transformer	BAIYUN	IN=400V OUT=230V	500mA	1	YE704023000800								
17	PC1	Circuit board	HANYOUNGUX	STM100-21-HPW	180~430V 50/60Hz	1	YE81100210500								
18	X1	Terminal board	HONEYWELL	SK2.5	2.5mm <sup>2</sup>	16	YE60002503200								
19		Terminal board	HONEYWELL	GK2.5PE	2.5mm <sup>2</sup> PE	7	YE60002503400								
20		Terminal board	HONEYWELL	GK6	4.0mm <sup>2</sup>	3	YE60000603200								
21		Terminal board	HONEYWELL	GK6PE	6.0mm <sup>2</sup> PE	1	YE60000603500								
22		Terminal board	HONEYWELL	GK5PE	4.0mm <sup>2</sup> PE	1	YE60000403500								
23	S1	Thermocouple	SHINI	----	----	1	----	(1)							
24	S2 S3	Thermocouple	SHINI	----	----	2	----	(1)(3)							
25	S4	Temperature protector	EGO	----	----	1	----	(1)							
版本	Ver.F	Notes: (1)Means it's not the material inside the control box.(2)Means it's equipped with buzzer.(3)Means equipped with function of displaying water outlet and return water temperature.													
			Drawer	Version	Title		Drawing NO.		Scale		Page		D		
			Designer	Approved by	STM-1220PW		STM-1220PW-CE-400V-D-4		Standard		CE		Page 4		
			Proofread by	Date	Electrical Components list 1				Voltage		400V		Totally 5 Pages		
Mark	Before modification	After modification	Modified by	Modify date	20161103				Frequency		50HZ				
1	2	3	4	5	6	7	8								



信易电热机械股份有限公司  
Shini Plastics Technologies, Inc.

1		2		3		4		5		6		7		8	
No.	Symbol	Name	Manufacturer	Type	Specification	Number	Material number	Remark							
26	S5	L0 pressure switch	FENSHEN	----	----	1	----	(1)							
27	S6	H1 pressure switch	FENSHEN	----	----	1	----	(1)							
28	S7	Water level relay	----	C61F-GP	230VAC 50HZ	1	YE02612200000	(1)							
29	S8	Water level probe	----	----	----	1	----	(1)							
30	Y1 Y2 Y3	Solenoid valve	----	----	230VAC 50/60Hz	3	----	(1)							
31	H1	Buzzer	SHINI	PF-35A	230V 50Hz	1	YE84003500000	(2)							
32	M1	Motor	SHINI	1.0kw	400V 50/60Hz	1	----	(1)							
33	EH	Heater	SHINI	12kw	400V 50/60Hz	1	----	(1)							
									B						
									C						
									D						
Ver.F		Notes: (1)Means it's not the material inside the control box.(2)Means it's equipped with buzzer.(3)Means equipped with function of displaying water outlet and return water temperature.													
版本		Title		Version		D		Drawing NO.		Scale		Page			
		STM-1220PW Electrical Components List 2		Approved by				STM-1220PW-CE-400V-D-5		Standard		CE			
Mark		Before modification		Modified by		Modify date		Date		Voltage		Frequency			
						20161103				400V		50HZ			
1		2		3		4		5		6		7		8	





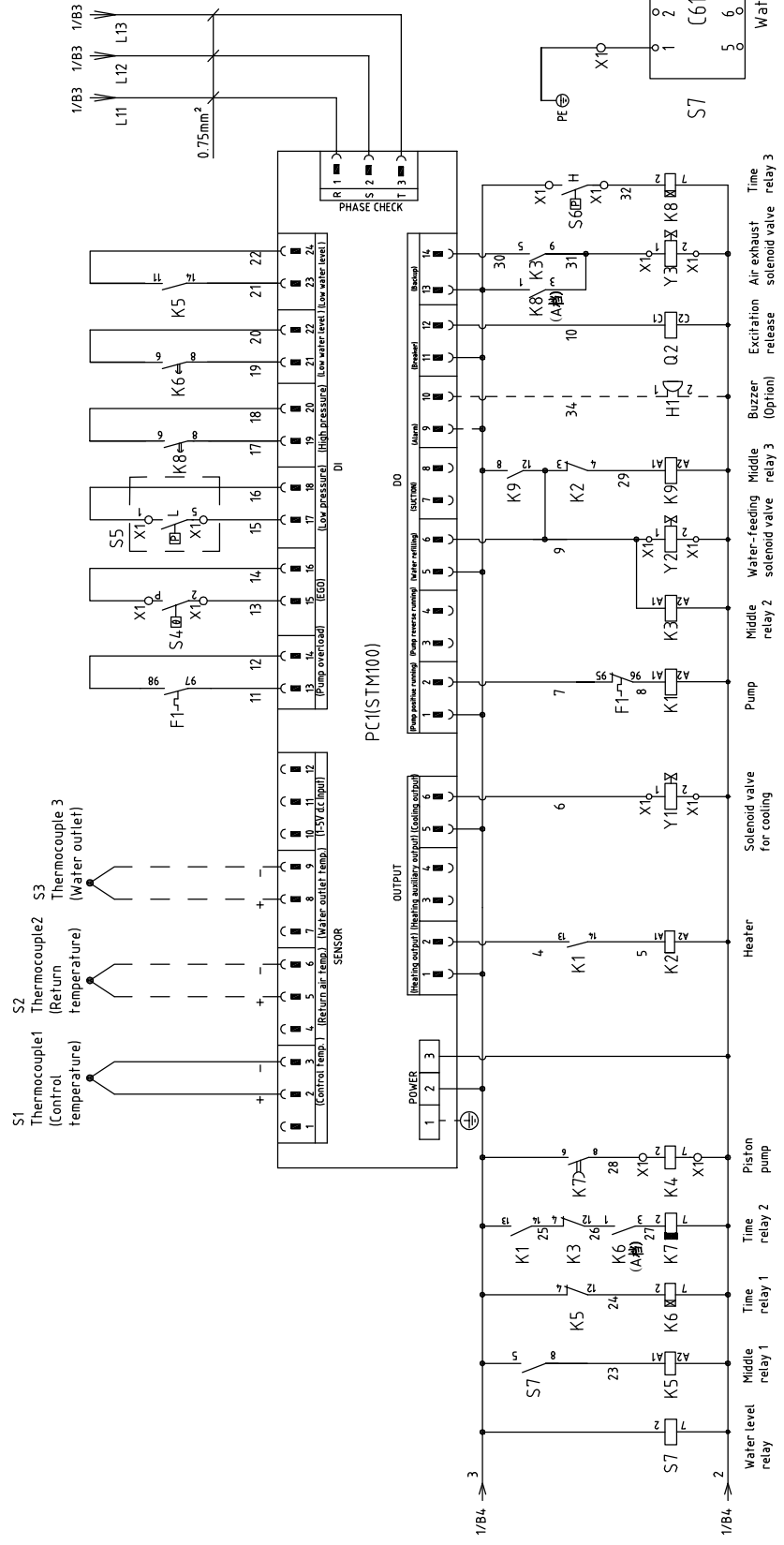
版本	Ver.F
Mark	Before modification
	After modification
	Modified by
	Modify date
	Checked by
	Proofread by
	Designer
	Drawer
	Version
	D

Title		Drawing NO.	
STM-1220PW		STM-1220PW-CE-230V-D-1	
Main Circuit Diagram			
Date		20161103	

Scale	Standard	CE	Page	1
Voltage		230V		
Frequency		50HZ		
Totally		5		
Pages		8		







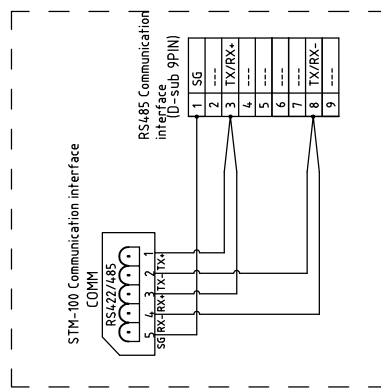
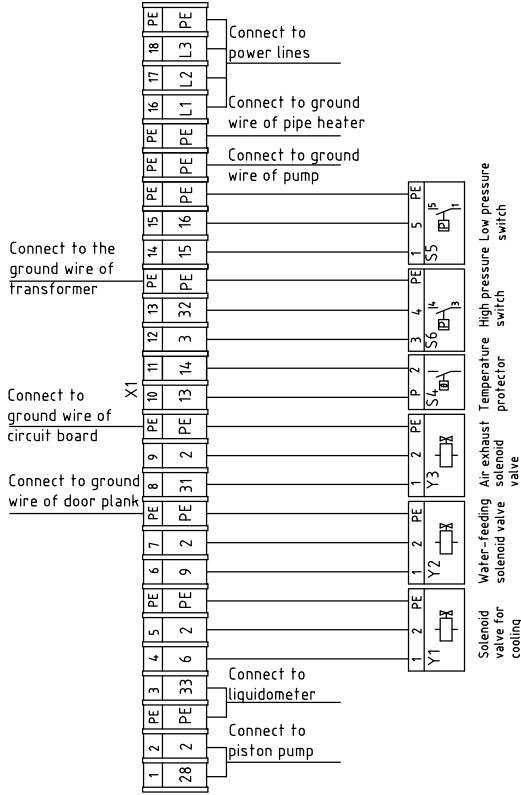
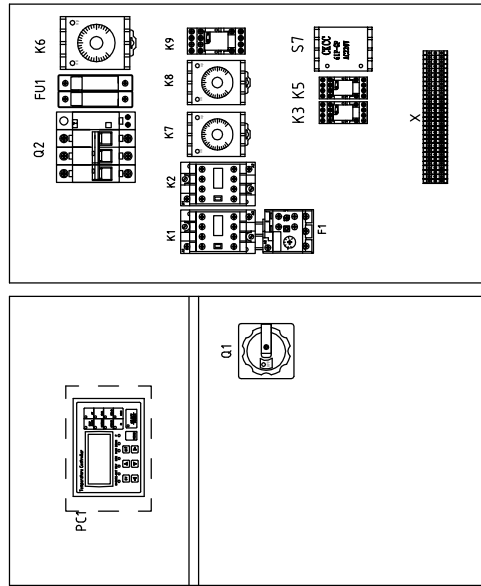
Note: Preset time of K6 is 3mins.(this time could be set according to actual situation), preset time of K7 is 30 secs. (adjusting range: 30-60 secs.), preset time of K8 is 5 secs. (could never be changed).

版本 Ver.F

Title		Drawing NO.	
STM-1220PW		STM-1220PW-CE-230V-D-1	
Version		Scale	
D		Standard	
Designer		Page	
Proofread by		2	
Checked by		CE	
Date		Voltage	
20161103		230V	
Modify date		Frequency	
After modification		50HZ	
Before modification		Totally	
Mark		5	
1		Page	
2		2	
3		5	
4		Pages	
5		8	
6		8	
7		8	
8		8	




Technical requirements: (1) Positive (+) and negative (-) poles of thermocouple should be directly connected to thermocouple's input terminal of circuit board. There is no need for them to go through the terminal board.  
 (2) Pump and pipe heater should be directly connected to the output terminals of contactor and thermal overload relay.



Note: this figure is only for reference which is no need of wiring.


版本 Ver.F

Mark	Before modification	Modified by	Modify date	Checked by	Date	20161103	Approved by	Electrical Components Layout	Version	D	Title	STM-1220PW	Drawing NO.	STM-1220PW-CE-230V-D-3	Scale	Standard	CE	Page	3
	After modification																		
										Voltage		230V		Frequency		50HZ			
										 <p>信易電熱機械股份有限公司 Shini Plastics Technologies, Inc.</p>									
										Totaly 5 Pages Page 3									

1		2		3		4		5		6		7		8	
/NO	Symbol	Name	Manufacturer	Type	Title	Specification	Number	Material number	Remark						
1	Q1	Main switch	EATON	P3-63/EA/SVB	63A		1	YE10636300000							
2	Q2	Circuit breakers	TECO	BM-63C/3050S	50A		1	YE40305003000							
3		Excitation release	CHINT	MX	----		1	YE40023560000							
4	K1	Contactors	SIEMENS	3RT6016-1AN21	220V 50/60HZ		1	YE00601621000							
5		Auxiliary block	SIEMENS	3RH6911-1AA10	1N0		1	YE00691110000							
6	K2	Contactors	SIEMENS	3RT6028-1AN20	220V 50/60HZ		1	YE00602822000							
7	F1	Thermo overload relays	SIEMENS	3RU6116-1EB0	2.8-4A		1	YE01160280000							
8	FU1	Fuse base	CHNT	RT18-32	32A 2P		1	YE41032200000							
9		Fuse core	MRO	10x38 500V	2A		2	YE46002000100							
10	K3 K5 K9	Middle relay	WEIDEMILE	DRM270730LT	230VAC 50/60HZ		3	YE03270700000							
11	K4	Plunger pump	----	----	----		1	----	(1)						
12	K6	Timer	YUYUN	TH3M-NAB/3S-60M/AC220V	230VAC 50HZ		1	YE86300300000							
13	K7	Timer	YUYUN	TRF-N/3M	230VAC 50HZ		1	YE86322000000							
14	K8	Timer	YUYUN	TH3A-NAB 60S	230VAC 50HZ		1	YE86300600000							
15	PC1	Circuit board	HANYOUNGNUX	STM100-21-HPW	180~430V 50/60HZ		1	YE81100210500							
16		Terminal board	HONEYWELL	SK2.5	2.5mm <sup>2</sup>		15	YE60002503200							
17		Terminal board	HONEYWELL	GK2.5PE	2.5mm <sup>2</sup> PE		7	YE60002503400							
18		Terminal board	HONEYWELL	GK6PE	6mm <sup>2</sup> PE		1	YE60000603500							
19		Terminal board	HONEYWELL	GK10	10mm <sup>2</sup>		3	YE60001003200							
20		Terminal board	HONEYWELL	GK10PE	10mm <sup>2</sup> PE		1	YE60001003500							
21	S1	Thermocouple	SHINI	----	----		1	----	(1)						
22	S2 S3	Thermocouple	SHINI	----	----		2	----	(1)(3)						
23	S4	Temperature protector	EGO	----	----		1	----	(1)						
24	S5	L0 pressure switch	FENSHEN	----	----		1	----	(1)						
25	S6	Hl pressure switch	FENSHEN	----	----		1	----	(1)						
<b>版本</b> Ver.F Notes: (1)Means it's not the material inside the control box.(2)Means it's equipped with buzzer.(3)Means equipped with function of displaying water outlet and return water temperature.															
				Drawer	Version	Title		Drawing NO.		Scale	Page				
				Designer	Approved by	STM-1220PW		STM-1220PW-CE-230V-D-4		Standard	CE	Totally			
				Proofread by		Electrical Components list 1				Voltage	230V				
				Checked by	Date	20161103				Frequency	50HZ				
Mark	Before modification	Modified by	Modify date												
1	2	3	4	5	6	7	8								



信易電熱機械股份有限公司  
Shini Plastics Technologies, Inc.

1		2		3		4		5		6		7		8				
NO.	Symbol	Name	Manufacturer	Type	Specification	Number	Material number	Remark										
26	S7	Water level relay	----	C61F-GP	230VAC 50HZ	1	YE02612200000											
27	S8	Water level probe	----	----	----	1	----	(1)										
28	Y1 Y2 Y3	Solenoid valve	----	----	230VAC 50/60Hz	3	----	(1)										
29	H1	Buzzer	SHINI	PF-35A	230V 50Hz	1	YE84003500000	(2)										
30	M1	Motor	SHINI	1.0kw	230V 50/60Hz	1	----	(1)										
31	EH	Heater	SHINI	12kw	230V 50/60Hz	1	----	(1)										
									B									
									C									
									D									
<b>版本</b> Ver.F Notes: (1)Means it's not the material inside the control box.(2)Means it's equipped with buzzer.(3)Means equipped with function of displaying water outlet and return water temperature.																		
Mark		Before modification	Modified by	Modify date	Checked by	Proofread by	Designer	Drawer	Version	D	Title		Drawing NO.		Scale	Page	5	
		After modification									STM-1220PW Electrical Components List 2		STM-1220PW-CE-230V-D-5		Standard	CE	Totally	5
											 <b>信易電熱機械股份有限公司</b> <b>Shini Plastics Technologies, Inc.</b>		Voltage		230V			
											Date		20161103		Frequency		50HZ	
1 2 3 4 5 6 7 8																		