

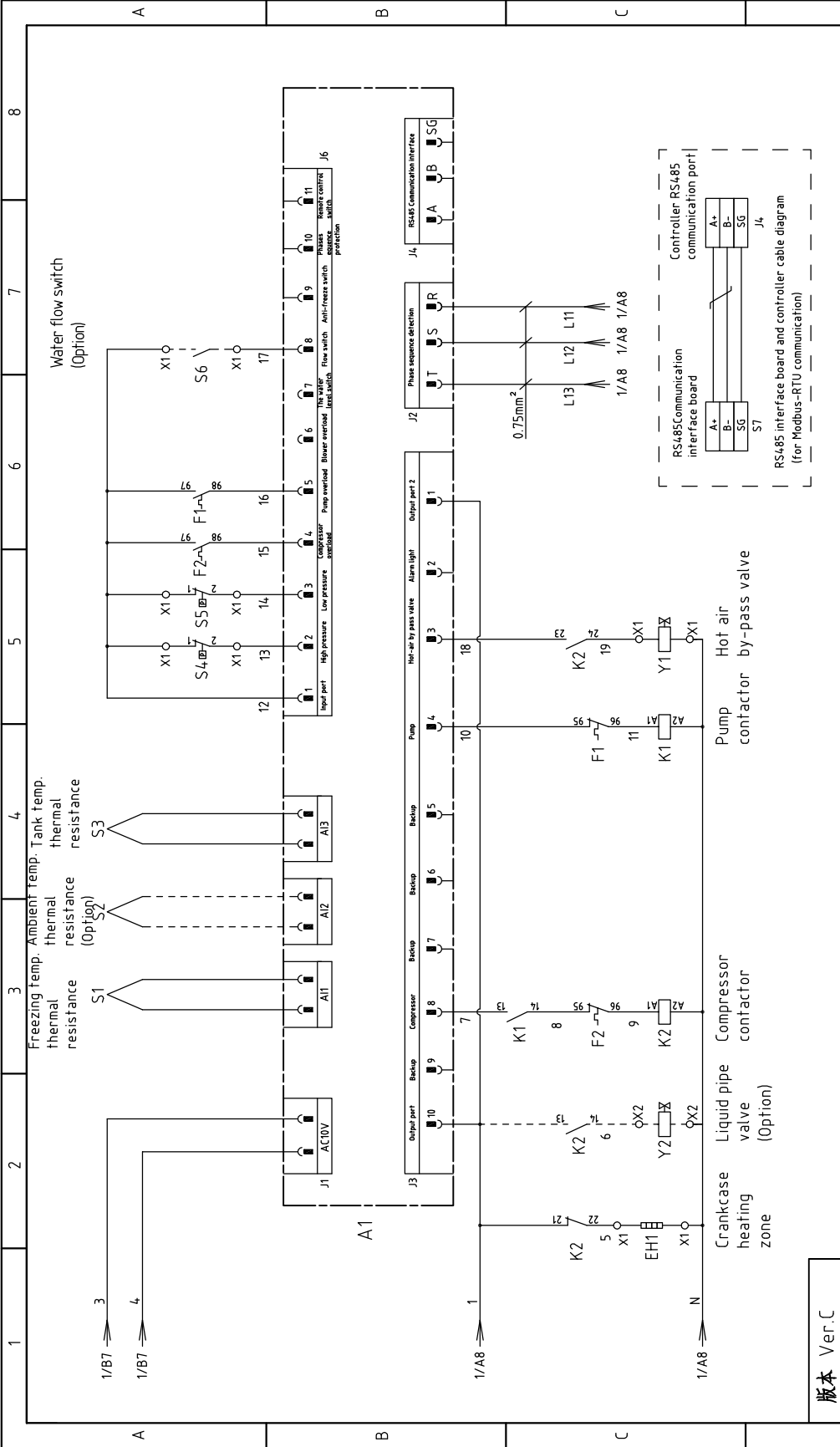
SIC-9W-R2-P: 0.75kW/1.6A
 SIC-9W-R2-HP: 1.1kW/2.4A
 Pump motor

P=2.57kW
 IN=7.1A
 Compressor

版本 Ver.C

Drawing NO.		SIC-9W-R2		Page 1	
Title		SIC-9W-R2-CE-400V-0-1		Scale	
Version		0		Standard	
Main Circuit Diagram		Main Circuit Diagram		Voltage	
Approved by				Frequency	
Proofread by				400V	
Checked by				60Hz	
Modify Date				Totally	
After modification				5	
Before modification				Pages	
Mark		20170106		400V	
		Date		60Hz	
		4		8	
		5		7	
		6		8	
		7		8	
		8		8	



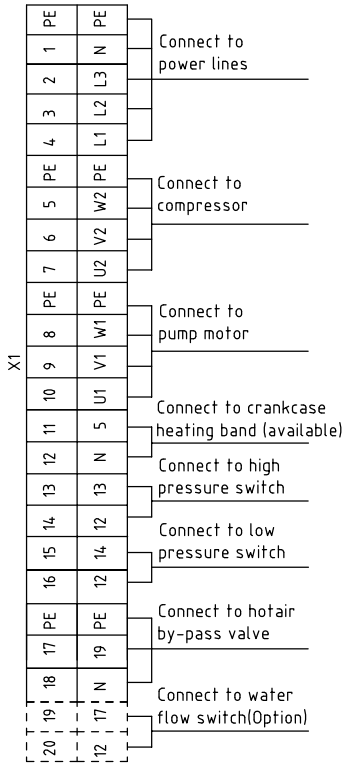
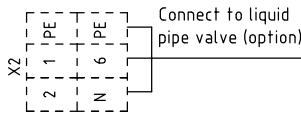
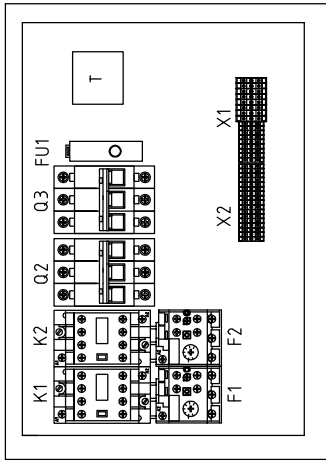
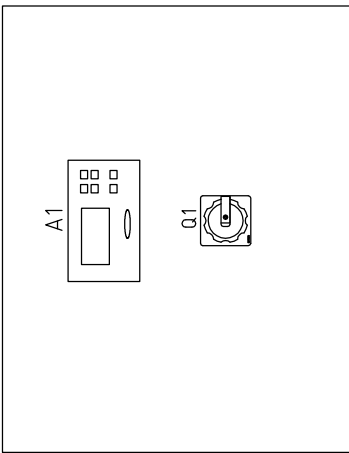


版本 Ver.C

Drawing NO.		SIC-9W-R2		Page 2	
Title		Control Circuit Diagram		Standard CE	
Version		0		Voltage 4.00V	
Designer		Approved by		Frequency 60HZ	
Proofread by		Date 20170106		Totally 5 Pages	
Checked by		Modify date		Voltage	
Mark		After modification		Frequency	
Before modification		2		8	
3		4		7	
5		6		8	



1 2 3 4 5 6 7 8



版本 Ver.C

Mark	Before modification	Modified by	Modify date	Checked by	Date	Approved by	Version	Title	Drawing NO.	Scale	Page
	After modification	Modified by	Modify date							Standard	Totally
Electrical Components Layout										CE	5
SIC-9W-R2										SIC-9W-R2-CE-400V-0-3	3
SHINI 信易塑料机械股份有限公司 Shini Plastics Technologies, Inc.										Voltage	400V
										Frequency	60HZ

1

2

3

4

5


6

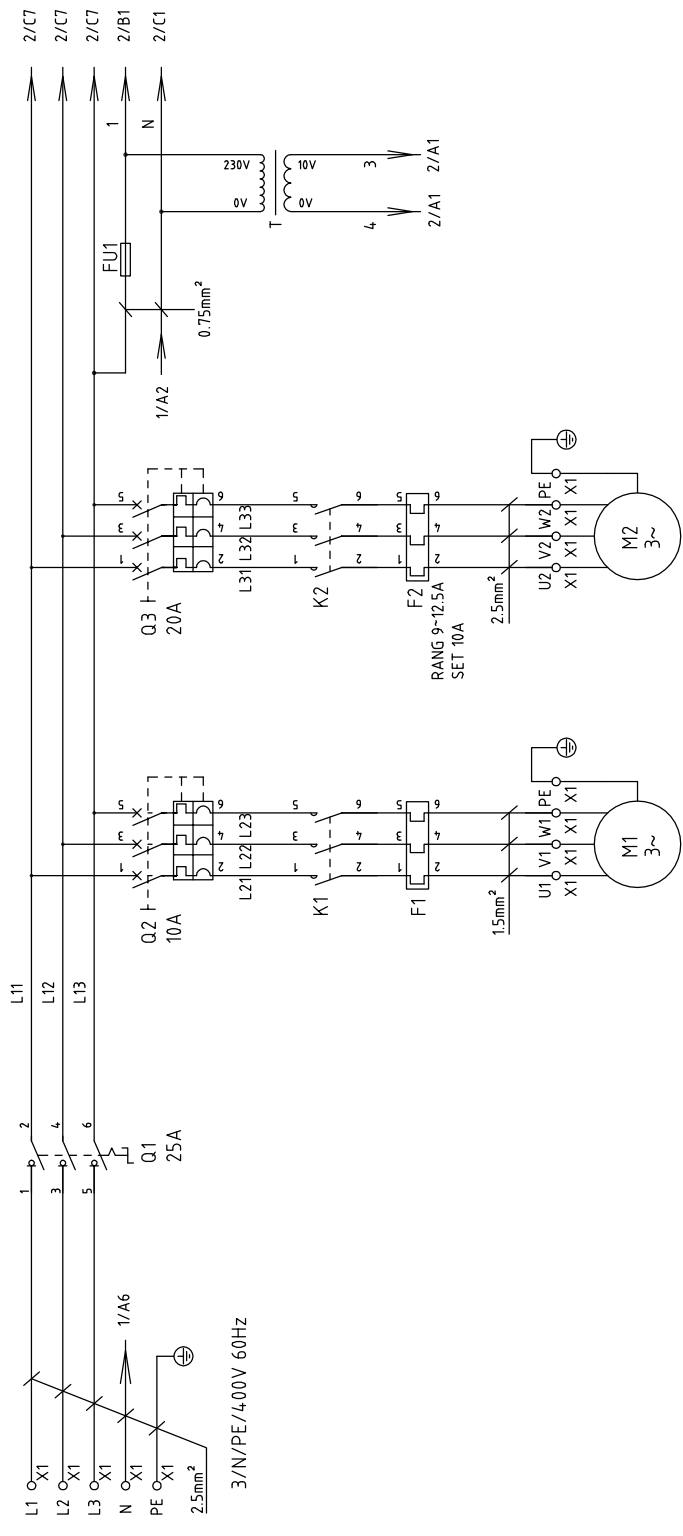
7

8

1		2		3		4		5		6		7		8	
NO.	Symbol	Name	Manufacturer	Type	Specification	Number	Material number	Remark							
1	Q1	Main switch	MOELLER	TO-2-1/EA/SVB/16A	16A	1	YE10021160000								
2	Q2	Circuit breaker	TECO	BM-63C/3010S	10A	1	YE40301003000								
3	Q3	Circuit breaker	TECO	BM-63C/3016S	16A	1	YE40301603000	A							
4	K1	Contacto	SIEMENS	3RT6016-1AN21	230VAC 50/60Hz	1	YE00601621000								
5	K2	Contacto	SIEMENS	3RT6017-1AN22	230VAC 50/60Hz	1	YE00601700100								
6		Auxiliary block	SIEMENS	3RH6911-1HA11	1NO-1NC	1	YE00691100100								
7	F1	Thermo overload relay	SIEMENS	3RU6116-1BB0	1.4-2A	1	YE011601140000	SIC-9W-R2-P							
8	F1	Thermo overload relay	SIEMENS	3RU6116-1DB0	2.2-3.2A	1	YE01160220000	SIC-9W-R2-HP							
9	F2	Thermo overload relay	SIEMENS	3RU6116-1JB0	7-10A	1	YE01167100000								
10	FU1	Fuse	YINDA	FS-10	2A	1	YE41001000000								
11	A1	Controllor	PUNP	SF317500A	AC 10V	1	YE80000100900	B							
12	S1	Anti-freezing temp. RTD	PUNP	RTD	----	1	----								
13	S3	Water tank temp. RTD	PUNP	RTD	----	1	----								
14	T	Transformer	PUNP	IN-220V OUT=9.8V	----	1	----								
15	S4	HI pressure switch	----	----	----	1	----	(1)							
16	S5	L0 pressure switch	----	----	----	1	----	(1)							
17	S6	Water flow switch	----	----	----	1	----	(1)(3)							
18	S7	Communication interface board RS-485 (double Dsub-9pin connector)	----	----	----	1	YE9004.8501200	(1)							
19		Shell RS485(SAL-700G-A-1910)	----	----	----	1	YR40048500000	(1)							
20	X1	Terminal board	----	2.5mm ²	----	18	YE60002503200								
21		Terminal board	----	2.5mm ² PE	----	4	YE60002503400								
22		Terminal board	----	2.5mm ²	----	2	YE60002503200	(3)							
23	X2	Terminal board	----	2.5mm ²	----	2	YE60002503200	(2)							
24		Terminal board	----	2.5mm ² PE	----	1	YE60002503400	(2)							
25	Y1	Solenoid valve	----	----	230V 50/60Hz	1	----								
版本 Ver.C		Notes: (1)Means it's not the material inside the control box.(2)Stands for optional liquid pipe valve.(3)Stands for optional water flow switch.													
D		Drawer		Version		Title		Drawing NO.		Scale		Page		4	
		Designer		Approved by		SIC-9W-R2		SIC-9W-R2-CE-400V-0-4		Standard		CE		Voltage	
		Proofread by		Date		Electrical Components List 1				Voltage		4.00V		Pages	
		Checked by		Date						Frequency		60Hz		Totally	
Mark		Before modification		Modified by		201710106				Frequency		60Hz		5	
1		2		3		4		5		6		7		8	



1		2		3		4		5		6		7		8	
NO.	Symbol	Name	Manufacturer	Type	Specification	Number	Material number	Remark							
26	Y2	Solenoid valve	----	----	230V 50/60Hz	1	----	(1)(2)							
27	M1	Pump motor	----	MID pressure pump 0.75KW	400V 50/60Hz	1	SIC-9W-R2-P	(1)							
28	M1	Pump motor	----	HI pressure pump 1.1KW	400V 50/60Hz	1	SIC-9W-R2-HP	(1)							
29	M2	Compressor	----	----	400V 50/60Hz 2.57kW	1	----	(1)							
30	EH1	Crankcase heating zone	----	----	230V 50/60Hz 35W	1	----	(1)							
A															
B															
C															
D															
版本 Ver.C Notes: (1)Means it's not the material inside the control box.(2)Stands for optional liquid pipe valve.(3)Stands for optional water flow switch.															
				Version 0		Title SIC-9W-R2		Drawing NO. SIC-9W-R2-CE-400V-0-5		Scale		Page 5			
				Approved by		Electrical Components List 2				Standard CE		Totally 5		Pages	
				Checked by		Date 20170106				Voltage		400V			
				Modified by						Frequency		60Hz			
				Modify date											
 SHINI 信易电热机械股份有限公司 Shini Plastics Technologies, Inc.															
1 2 3 4 5 6 7 8															



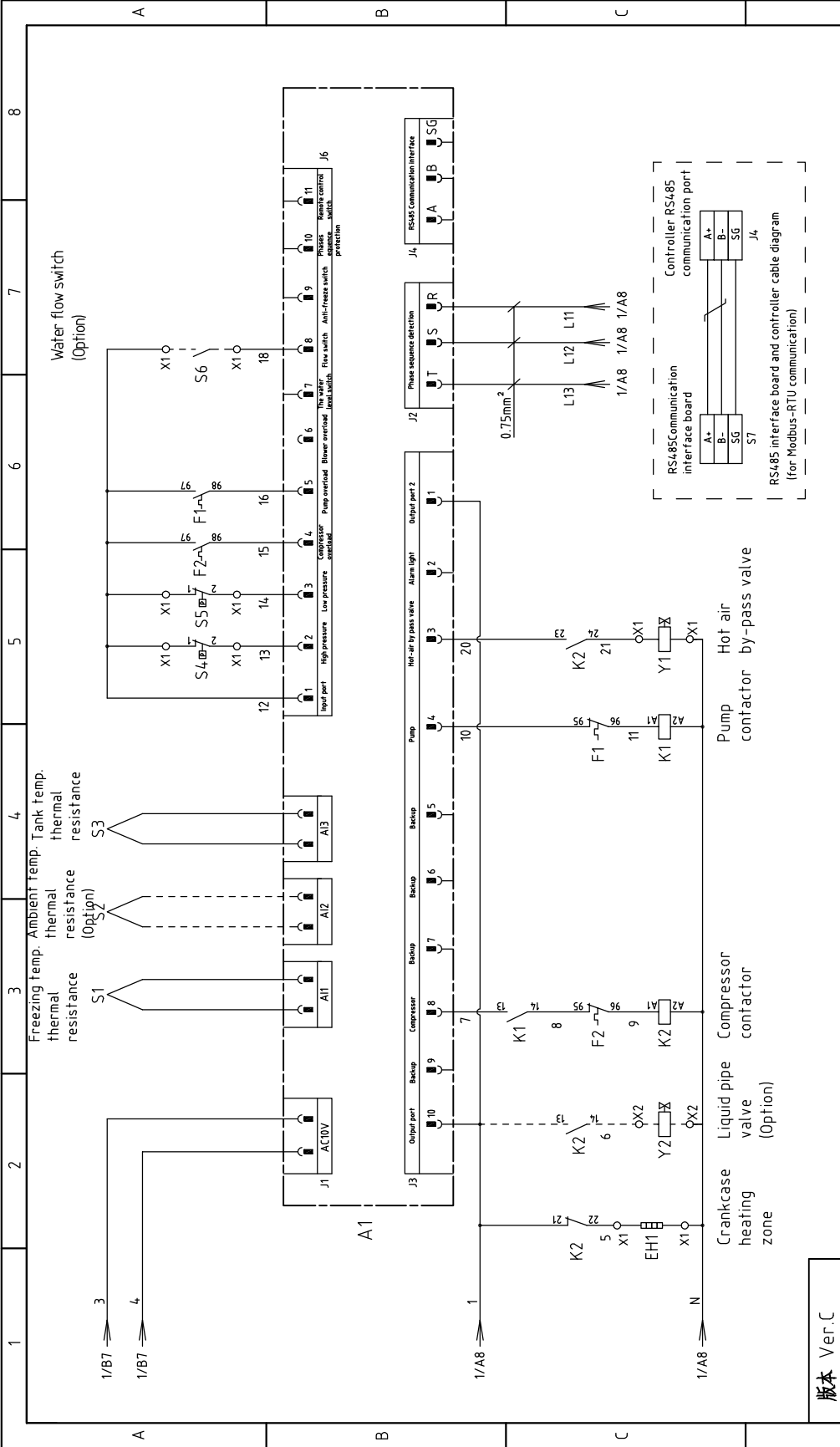
SIC-14W-R2-P: 0.75kW/1.6A
 SIC-14W-R2-HP: 1.1kW/2.4A
 Pump motor

P=3.55kW
 IN=10A
 Compressor

版本 Ver.C

Mark	Before modification	After modification	Modify Date	Checked by	Designer	Drawer	Version	0	Title	SIC-14W-R2	Drawing NO.	SIC-14W-R2-CE-400V-0-1	Scale	CE	Page	1			
							Approved by		Main Circuit Diagram				Standard		Totally	5			
																	Voltage	400V	
																		Frequency	60Hz
1	2	3	4	5	6	7	8												



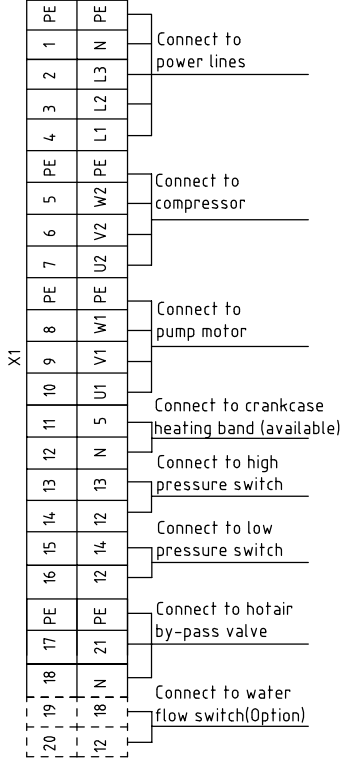
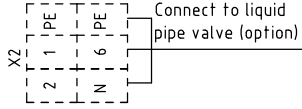
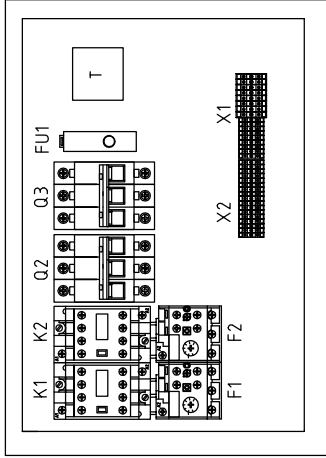
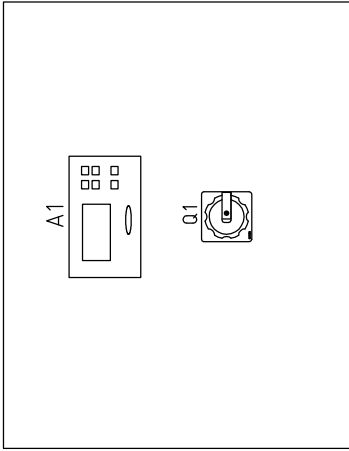


版本 Ver.C

Drawing NO.		SIC-14W-R2		Page 2	
Title		Control Circuit Diagram		Scale	
Version		0		Standard	
Designer		Approved by		CE	
Proofread by		Date		Voltage	
Checked by		20170106		4.00V	
Modify date				Frequency	
Modified by				60HZ	
Before modification				Totally	
Mark				5	
				Pages	
				4.00V	
				60HZ	
				8	



1 2 3 4 5 6 7 8





版本 Ver.C

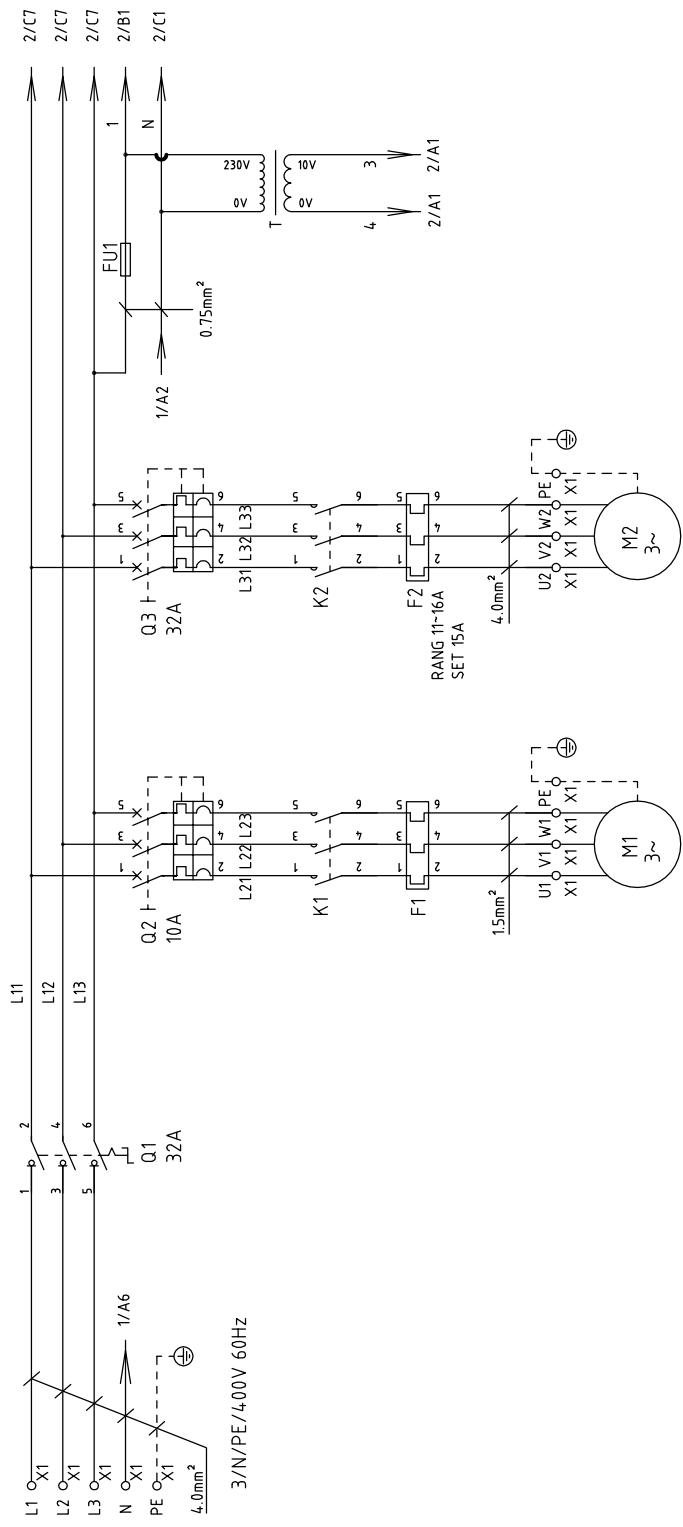
Mark	Before modification	After modification	Modified by	Modify date	Checked by	Date	20170106	Version	0	Title	SIC-14W-R2	Drawing NO.	SIC-14W-R2-CE-400V-0-3	Scale	CE	Page	3			
Designer	Proofread by	Approved by								Electrical Components Layout				Standard	CE	Totally	5			
																	Pages	5		
																		Voltage	400V	
																			Frequency	60HZ



1 2 3 4 5 6 7 8

1	2		3	4	5	6	7	8	
NO.	Symbol	Name	Manufacturer	Type	Specification	Number	Material number	Remark	
1	Q1	Main switch	MOELLER	P1-32/EA/SVB	25A	1	YE10125250000		
2	Q2	Circuit breaker	TECO	BM-63C/3010S	10A	1	YE40301003000		
3	Q3	Circuit breaker	TECO	BM-63C/3020S	20A	1	YE40302003000	A	
4	K1	Contactor	SIEMENS	3RT6016-1AN21	230VAC 50/60Hz	1	YE00601621000		
5	K2	Contactor	SIEMENS	3RT6018-1AN22	230VAC 50/60Hz	1	YE00601800100		
6		Auxiliary block	SIEMENS	3RH6911-1HA11	1NO-1NC	1	YE00691100100		
7	F1	Thermo overload relay	SIEMENS	3RU6116-1BB0	1.4-2A	1	YE0116014.0000	SIC-14W-R2-P	
8	F1	Thermo overload relay	SIEMENS	3RU6116-1DB0	2.2-3.2A	1	YE01160220000	SIC-14W-R2-HP	
9	F2	Thermo overload relay	SIEMENS	3RU6116-1KB0	9-12.5A	1	YE01169125000		
10	FU1	Fuse	YINDA	FS-10	2A	1	YE4.10010000000		
11	A1	Controller	PUNP	SF317500A	AC 10V	1	YE800000100900	B	
12	S1	Anti-freezing temp. RTD	PUNP	RTD	----	1	----		
13	S3	Water tank temp. RTD	PUNP	RTD	----	1	----		
14	T	Transformer	PUNP	IN=220V OUT=9.8V	----	1	----		
15	S4	HI pressure switch	----	----	----	1	----	(1)	
16	S5	L0 pressure switch	----	----	----	1	----	(1)	
17	S6	Water flow switch	----	----	----	1	----	(1)(3)	
18	S7	Communication interface board RS-485 (double Dsub-9pin connector)	----	----	----	1	YE9004.8501200	(1)	
19		Shell RS485(SAL-700G-A-1910)	----	----	----	1	YR4.00485000000	(1)	
20	X1	Terminal board	----	2.5mm ²	----	18	YE60002503200		
21		Terminal board	----	2.5mm ² PE	----	4	YE600025034.00		
22		Terminal board	----	2.5mm ²	----	2	YE60002503200	(3)	
23	X2	Terminal board	----	2.5mm ²	----	2	YE60002503200	(2)	
24		Terminal board	----	2.5mm ² PE	----	1	YE600025034.00	(2)	
25	Y1	Solenoid valve	----	----	230V 50/60Hz	1	----	(1)	
版本 Ver.C Notes: (1)Means it's not the material inside the control box.(2)Stands for optional liquid pipe valve.(3)Stands for optional water flow switch.									
				Version	0	Title		Drawing NO.	
				Designer		SIC-14W-R2		Scale	4
				Proofread by		Electrical Components List 1		Standard	CE
				Checked by	20170106	SIC-14W-R2-CE-4.00V-0-4		Voltage	4.00V
				Modified by		 信易塑料机械股份有限公司 Shini Plastics Technologies, Inc.		Frequency	60Hz
				Modify date				Totally	5
								Pages	8

1		2		3		4		5		6		7		8	
NO.	Symbol	Name	Manufacturer	Type	Specification	Number	Material number	Remark							
26	Y2	Solenoid valve	-----		230V 50/60Hz	1		(1)(2)							
27	M1	Pump motor	-----	MID pressure pump 0.75KW	400V 60Hz	1	SIC-14W-R2-P	(1)							
28	M1	Pump motor	-----	HI pressure pump 1.1KW	400V 60Hz	1	SIC-14W-R2-HP	(1)							
29	M2	Compressor	-----	-----	400V 50/60Hz 3.55kW	1	-----	(1)							
30	EH1	Crankcase heating zone	-----	-----	230V 50/60Hz 35W	1	-----	(1)							
A															
B															
C															
D															
版本 Ver.C Notes: (1)Means it's not the material inside the control box.(2) Stands for optional hot-air by pass valve. (3)Stands for optional liquid pipe valve.(4)Stands for optional water flow switch.															
		Title		Version		0		SIC-14W-R2		Drawing NO.		Scale		Page 5	
		Electrical Components List 2		Approved by				SIC-14W-R2-CE-400V-0-5		Standard		CE		Totally 5 Pages	
		Proofread by		Date		20170106				Voltage		4.00V			
Mark		Before modification		Modified by		Modify date				Frequency		60HZ			
 信易电热机械股份有限公司 Shini Plastics Technologies, Inc.															
1 2 3 4 5 6 7 8															



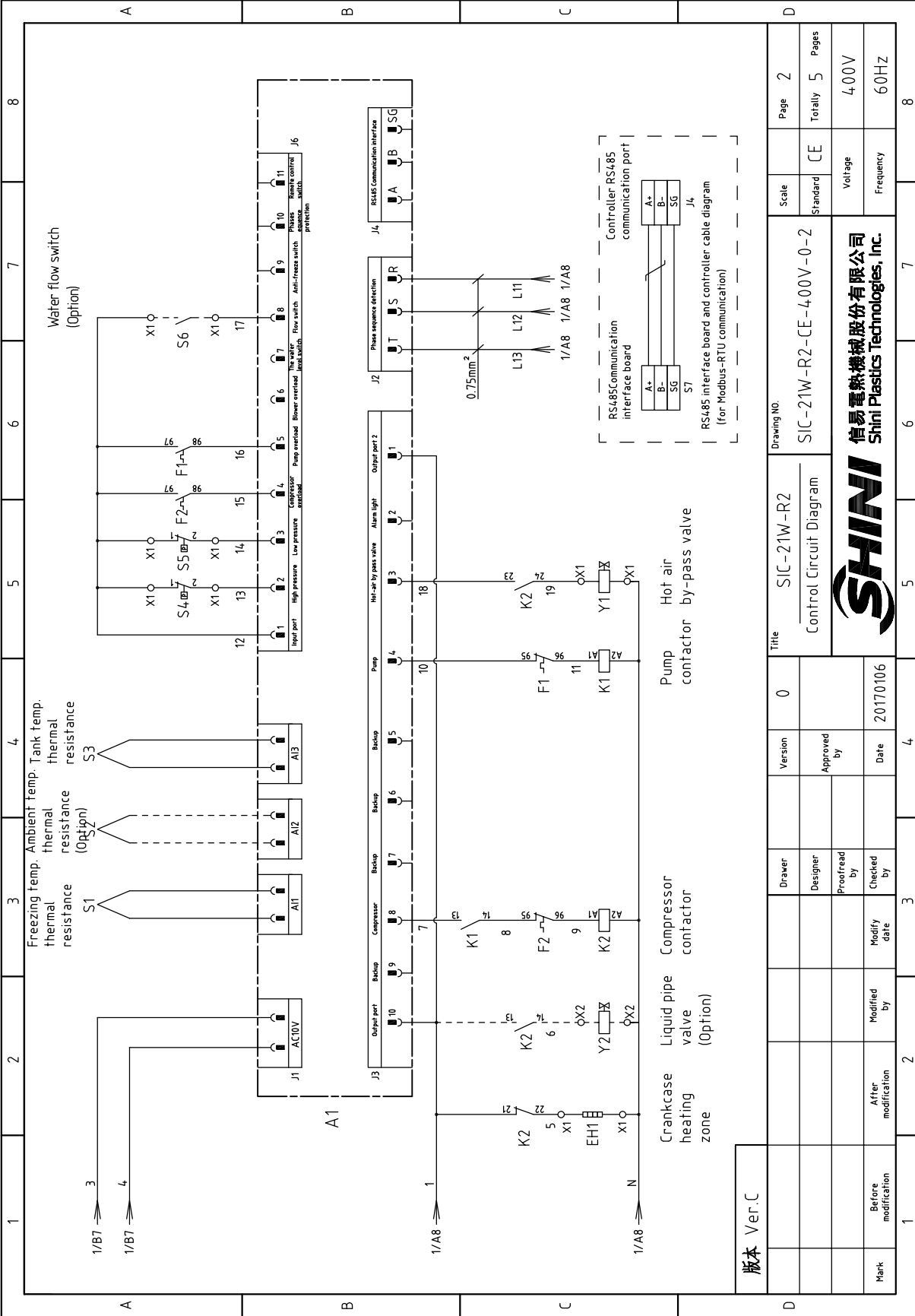
SIC-21W-R2-P: 1.1kW/2.2A
 SIC-21W-R2-HP: 1.1kW/2.4A
 Pump motor

P=7.52kW
 IN=15A
 Compressor

版本 Ver.C

Drawing NO.		SIC-21W-R2-CE-400V-0-1		Scale	Page 1
Title		SIC-21W-R2		Standard	Totally 5
Version		0		Voltage	400V
Drawer		Approved by		Frequency	60Hz
Designer		Checked by			
Proofread by		Modify Date			
Checked by		Date		20170106	
Mark	Before modification	After modification			

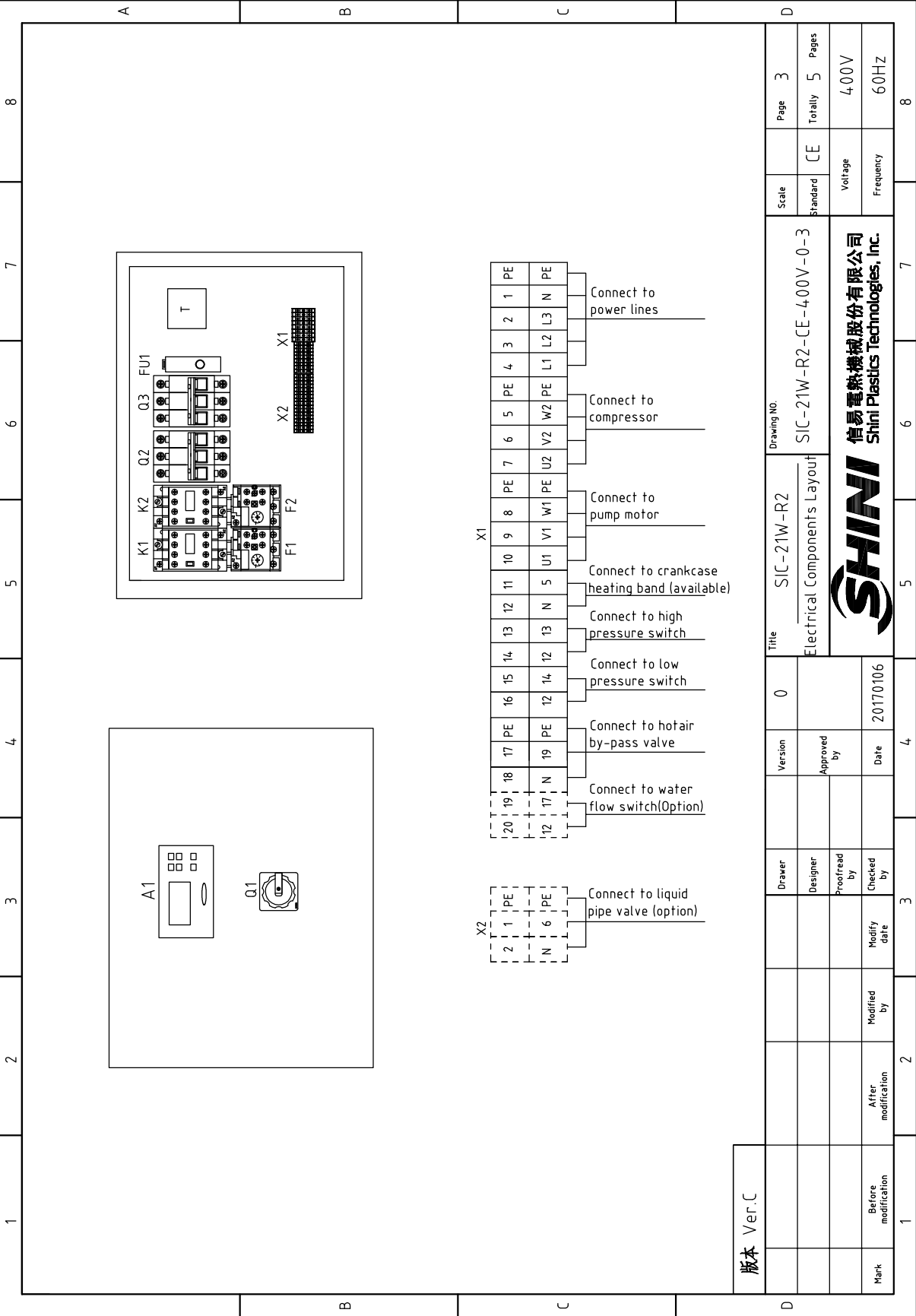




版本 Ver.C

Mark	Before modification	After modification	Modified by	Modify date	Checked by	Date	20170106
Designer	Proofread by	Approved by	Version	0	Title		
				SIC-21W-R2			
				Control Circuit Diagram			
				Drawing NO.			
				SIC-21W-R2-CE-4.00V-0-2			
Standard	CE	Scale	Page 2				
Totally	5	Pages	4.00V				
Frequency	60HZ						



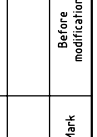


版本 Ver.C

Mark	Before modification	Modified by	Modify date	Checked by	Date	20170106	Approved by	Version	0	Title	SIC-21W-R2 Electrical Components Layout	Drawing NO.	SIC-21W-R2-CE-400V-0-3	Scale	Page
	After modification	Modified by	Modify date											Standard	Totally
														CE	3
															5
															4,00V
															60HZ
															8

SHINI
信易塑料机械股份有限公司
Shini Plastics Technologies, Inc.

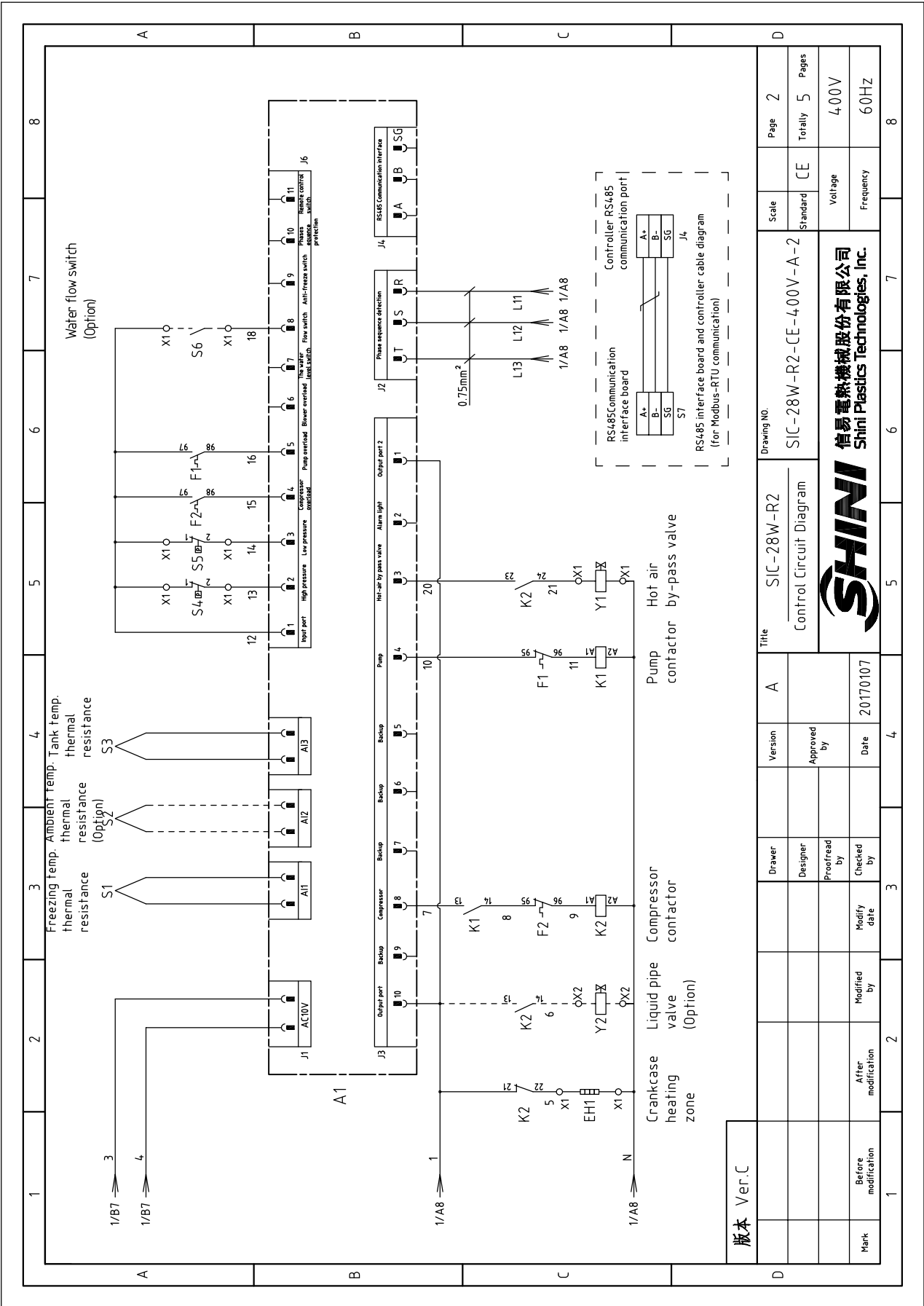
1	2		3	4	5	6	7	8
NO.	Symbol	Name	Manufacturer	Type	Specification	Number	Material number	Remark
1	Q1	Main switch	MOELLER	P1-63/EA/SVB	32A	1	YE10323200000	
2	Q2	Circuit breaker	TECO	BM-63C/3010S	10A	1	YE40301003000	
3	Q3	Circuit breaker	TECO	BM-63C/3032S	32A	1	YE40303203000	A
4	K1	Contactor	SIEMENS	3RT6016-1AN21	230VAC 50/60Hz	1	YE00601621000	
5	K2	Contactor	SIEMENS	3RT6026-1AN20	230VAC 50/60Hz	1	YE00602622000	
6		Auxiliary block	SIEMENS	3RH6911-1AA10	1NO	1	YE00691100000	(2)
7	F1	Thermo overload relay	SIEMENS	3RU6116-1DB0	2.2-3.2A	1	YE01160220000	SIC-21W-R2-P
8	F1	Thermo overload relay	SIEMENS	3RU6116-1DB0	2.2-3.2A	1	YE01160220000	SIC-21W-R2-HP
9	F2	Thermo overload relay	SIEMENS	3RU6126-4AB0	11-16A	1	YE01260110000	
10	FU1	Fuse	YINDA	FS-10	2A	1	YE41001000000	
11	A1	Controllor	PUNP	SF317500A	AC 10V	1	YE80000100900	B
12	S1	Anti-freezing temp. RTD	PUNP	RTD	----	1	----	
13	S3	Water tank temp. RTD	PUNP	RTD	----	1	----	
14	T	Transformer	PUNP	IN=220V OUT=9.8V	----	1	----	
15	S4	Hl pressure switch	----	----	----	1	----	(1)
16	S5	L0 pressure switch	----	----	----	1	----	(1)
17	S6	Water flow switch	----	----	----	1	----	(1)(3)
18	S7	Communication interface board RS-485 (double Dsub-9-pin connector)	----	----	----	1	YE9004.8501200	(1)
19		Shell RS485(SAL-700G-A-1910)	----	----	----	1	YR4004.8500000	(1)
20	X1	Terminal board	----	2.5mm ²	----	11	YE60002503200	
21		Terminal board	----	2.5mm ² PE	----	2	YE60002503400	
22		Terminal board	----	4.0mm ²	----	7	YE600004.03200	
23		Terminal board	----	4.0mm ² PE	----	2	YE600004.03500	
24		Terminal board	----	2.5mm ²	----	2	YE60002503200	(3)
25	X2	Terminal board	----	2.5mm ²	----	2	YE60002503200	(2)
版本 Ver.C Notes: (1)Means it's not the material inside the control box.(2)Stands for optional liquid pipe valve.(3)Stands for optional water flow switch.								
				Version	0	Title		
				Drawer		SIC-21W-R2		Scale
				Designer		Electrical Components List 1		Standard
				Proofread by		SIC-21W-R2-CE-400V-0-4		Voltage
				Checked by		SHINI		Frequency
				Modified by		信易塑料机械股份有限公司 Shini Plastics Technologies, Inc.		4.00V
				Modify date	20171016			60Hz
1	2	3	4	5	6	7	8	



信易塑料机械股份有限公司
Shini Plastics Technologies, Inc.

1		2		3		4		5		6		7		8	
NO.	Symbol	Name	Manufacturer	Type	Specification	Number	Material number	Remark							
26		Terminal board	----	2.5mm ² PE	----	1	YE60002503400	(2)							
27	Y1	Solenoid valve	----	----	230V 50/60Hz	1	----	(1)							
28	Y2	Solenoid valve	----	----	230V 50/60Hz	1	----	(1)(2)							
29	M1	Pump motor	----	MID pressure pump 1.1KW	400V 60Hz	1	SIC-21W-R2-P	(1)							
30	M1	Pump motor	----	HI pressure pump 1.1KW	400V 60Hz	1	SIC-21W-R2-HP	(1)							
31	M2	Compressor	----	----	400V 60Hz 7.52kW	1	----	(1)							
32	EH1	Crankcase heating zone	----	----	230V 50/60Hz 4.5W	1	----	(1)							
A															
B															
C															
D															
版本 Ver.C		Notes: (1)Means it's not the material inside the control box.(2)Stands for optional liquid pipe valve.(3)Stands for optional water flow switch.													
		Drawer		Version		Title		Drawing NO.		Scale		Page		5	
		Designer		Approved by		SIC-21W-R2		SIC-21W-R2-CE-400V-0-5		Standard		CE		Totally 5	
		Proofread by		Date		Electrical Components List 2				Voltage		4.00V			
		Checked by		20170106						Frequency		60Hz			
Mark		Before modification		Modified by		Modify date									
1		3		4		5		6		7		8			





Mark	Before modification	After modification	Modified by	Modify date	Checked by	Date	20170107
Designer		Proofread by		Approved by			
Version	A	Drawer					

Version	A	Title	SIC-28W-R2
Approved by		Control Circuit Diagram	

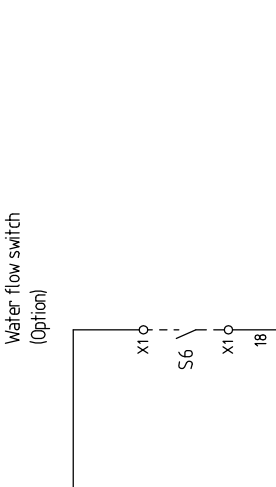
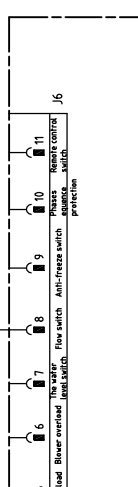
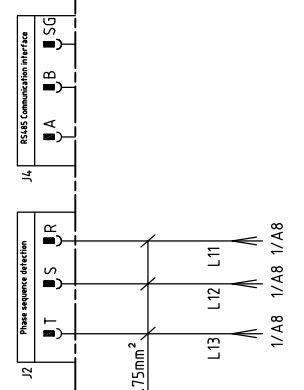
Scale	Standard	CE	Page 2
Voltage	4.00V		
Frequency	60HZ		

Drawing NO.	SIC-28W-R2-CE-4.00V-A-2
信易塑料机械股份有限公司 Shini Plastics Technologies, Inc.	

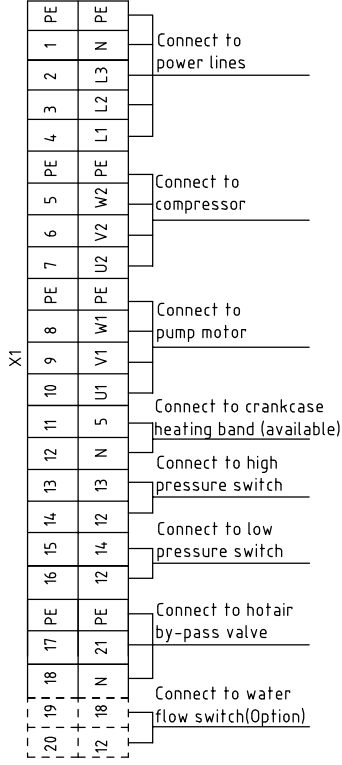
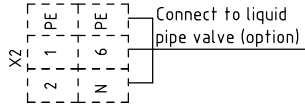
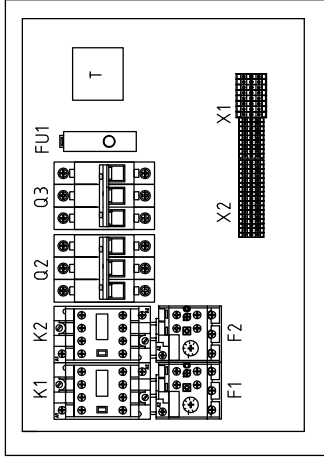
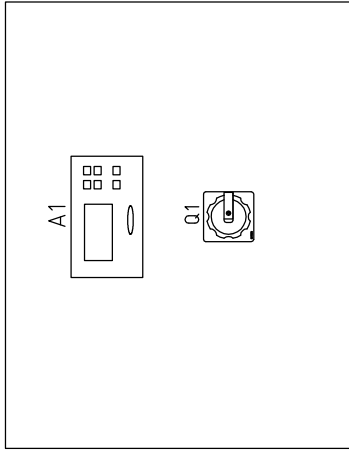
Standard	CE	Page	2
Totally	5	Pages	5

RS485 Communication interface board
 Controller RS485 communication port

RS485 interface board and controller cable diagram
 (for Modbus-RTU communication)



1 2 3 4 5 6 7 8



版本 Ver.C


Mark	Before modification	Modified by	Modify date	Checked by	Date	20170107	Version	A	Title	SIC-28W-R2	Drawing NO.	SIC-28W-R2-CE-4.00V-A-3	Scale	CE	Page	3	
		After modification		Proofread by	Approved by				Electrical Components Layout				Standard	CE	Totally	5	
																Pages	
																	4.00V
																	60HZ

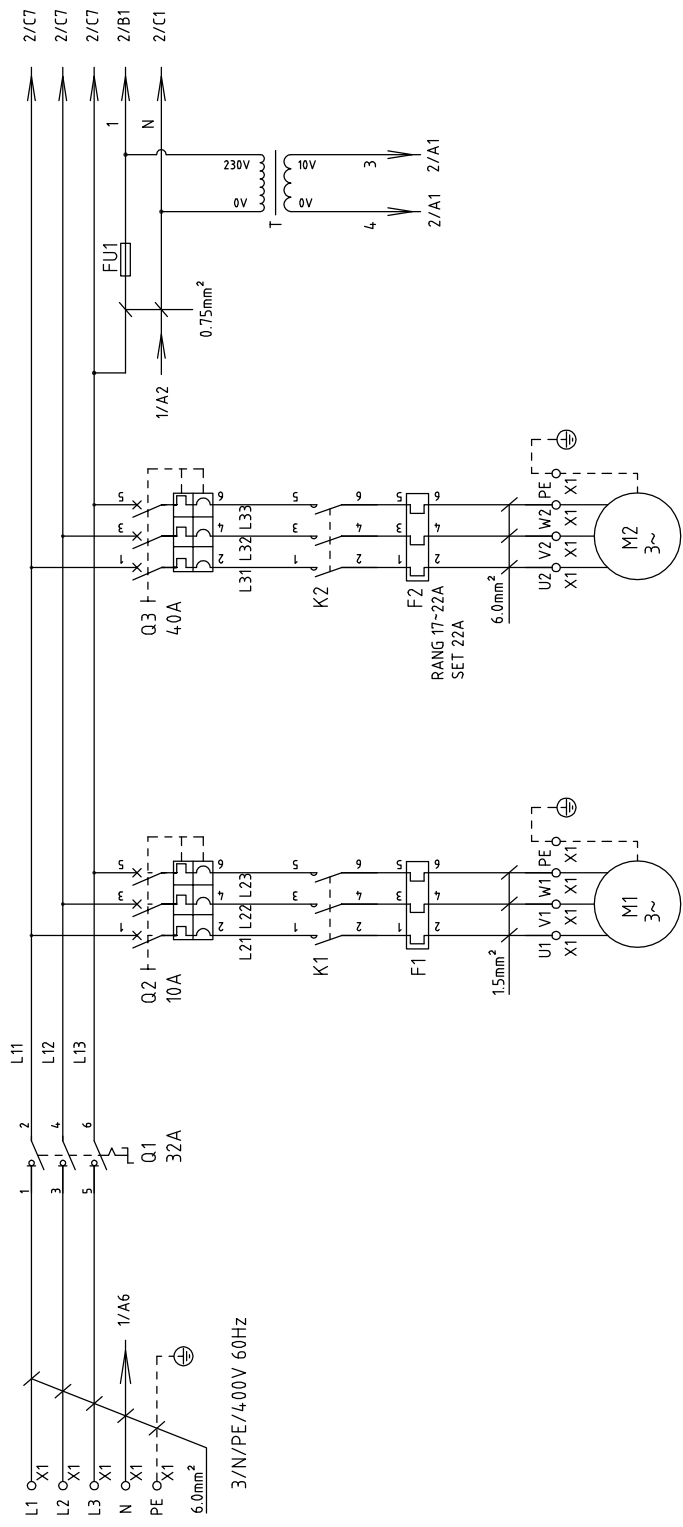


1 2 3 4 5 6 7 8

1		2		3		4		5		6		7		8	
NO.	Symbol	Name	Manufacturer	Type	Specification	Number	Material number	Remark							
1	Q1	Main switch	MOELLER	P1-63/EA/SVB	32A	1	YE10323200000								
2	Q2	Circuit breaker	TECO	BM-63C/3010S	10A	1	YE40301003000								
3	Q3	Circuit breaker	TECO	BM-63C/3040S	40A	1	YE40304003000	A							
4	K1	Contacto	SIEMENS	3RT6016-1AN21	230VAC 50/60Hz	1	YE00601621000								
5	K2	Contacto	SIEMENS	3RT6026-1AN20	230VAC 50/60Hz	1	YE00602622000								
6		Auxiliary block	SIEMENS	3RH6911-1AA10	1NO	1	YE00691110000	(2)							
7	F1	Thermo overload relay	SIEMENS	3RU6116-1DB0	2.2-3.2A	1	YE01160220000	SIC-28W-R2-P							
8	F1	Thermo overload relay	SIEMENS	3RU6116-1DB0	2.2-3.2A	1	YE01160220000	SIC-28W-R2-HP							
9	F2	Thermo overload relay	SIEMENS	3RU6126-4BB0	14-20A	1	YE01260140000								
10	FU1	Fuse	YINDA	FS-10	2A	1	YE41001000000								
11	A1	Controllor	PUNP	SF317500A	AC 10V	1	YE80000100900	B							
12	S1	Anti-freezing temp. RTD	PUNP	RTD	-----	1	-----								
13	S3	Water tank temp. RTD	PUNP	RTD	-----	1	-----								
14	T	Transformer	PUNP	IN=220V OUT=9.8V	-----	1	-----								
15	S4	HI pressure switch	-----	-----	-----	1	-----	(1)							
16	S5	L0 pressure switch	-----	-----	-----	1	-----	(1)							
17	S6	Water flow switch	-----	-----	-----	1	-----	(1)(3)							
18	S7	Communication interface board RS-485 (double Dsub-9pin connector)	-----	-----	-----	1	YE9004.8501200	(1)							
19		Shell RS485(SAL-700G-A-1910)	-----	-----	-----	1	YR4004.8500000	(1)							
20	X1	Terminal board	-----	2.5mm ²	-----	11	YE60002503200	C							
21		Terminal board	-----	2.5mm ² PE	-----	2	YE60002503400								
22		Terminal board	-----	4.0mm ²	-----	7	YE60000403200								
23		Terminal board	-----	4.0mm ² PE	-----	2	YE60000403500								
24		Terminal board	-----	2.5mm ²	-----	2	YE60002503200	(3)							
25	X2	Terminal board	-----	2.5mm ²	-----	2	YE60002503200	(2)							
版本 Ver.C Notes: (1)Means it's not the material inside the control box.(2)Stands for optional liquid pipe valve.(3)Stands for optional water flow switch.															
		Drawer		Version		A		Title		SIC-28W-R2		Drawing NO		SIC-28W-R2-CE-4.00V-A-4	
		Designer		Approved by				Electrical Components List 1		Standard		CE		Page 4	
		Proofread by		Checked by		Date		20170107		Voltage		4.00V		Pages	
Mark		Before modification		Modified by		Modify date				Frequency		60Hz		Totally 5	
1		2		3		4		5		6		7		8	



1		2		3		4		5		6		7		8	
NO.	Symbol	Name	Manufacturer	Type	Specification	Number	Material number	Remark							
26		Terminal board	----	2.5mm ² PE	----	1	YE60002503400	(2)							
27	Y1	Solenoid valve	----	----	230V 50/60Hz	1	----	(1)							
28	Y2	Solenoid valve	----	----	230V 50/60Hz	1	----	(1)(2)							
29	M1	Pump motor	----	MID pressure pump 1.1KW	4.00V 60Hz	1	SIC-28W-R2-P	(1)							
30	M1	Pump motor	----	HI pressure pump 1.1KW	4.00V 60Hz	1	SIC-28W-R2-HP	(1)							
31	M2	Compressor	----	----	4.00V 60Hz 10.15kW	1	----	(1)							
32	EH1	Crankcase heating zone	----	----	230V 50/60Hz 4.5W	1	----	(1)							
A															
B															
C															
D															
版本 Ver. C Notes: (1)Means it's not the material inside the control box.(2)Stands for optional liquid pipe valve.(3)Stands for optional water flow switch.															
				Version		A		Title		SIC-28W-R2		Scale		Page 5	
				Designer		Approved by		Drawing NO.		SIC-28W-R2-CE-4.00V-A-5		Standard		CE	
				Proofread by				Electrical Components List 2				Voltage		4.00V	
				Checked by		Date		20170107				Frequency		60Hz	
Mark				Before modification		Modified by		Modify date							
 SHINI 信易电热机械股份有限公司 Shini Plastics Technologies, Inc.															
1 2 3 4 5 6 7 8															



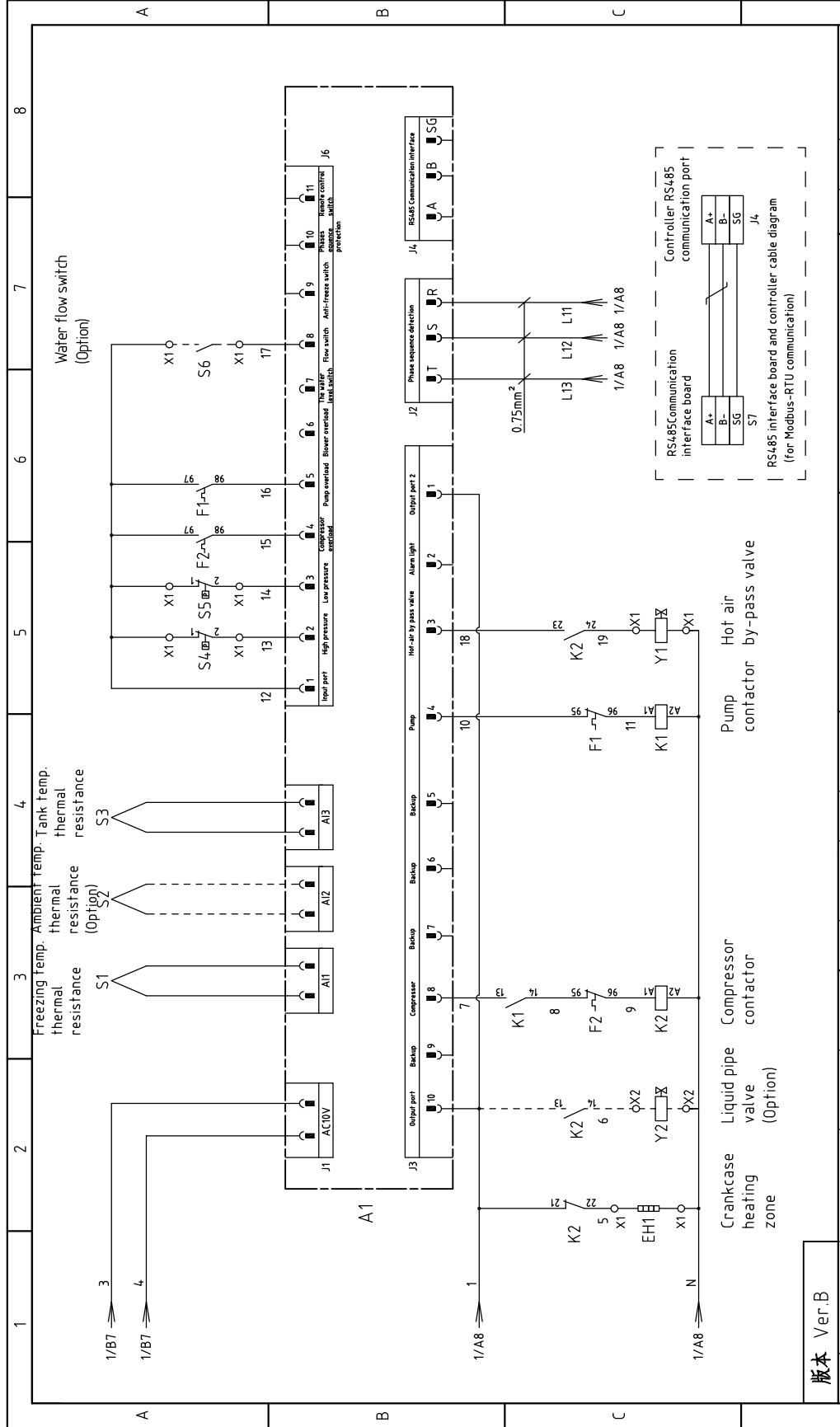
SIC-33W-R2-P: 1.5kW/3.1A
 SIC-33W-R2-HP: 2.2kW/4.5A
 Pump motor

P=11.7kW
 IN=22A
 Compressor

版本 Ver.B

Drawing NO.		SIC-33W-R2		Page 1	
Title		Main Circuit Diagram		Scale	
Version		A		Standard	
Designer		Approved by		Voltage	
Proofread by		Date		Frequency	
Checked by		20170107		400V	
Modified by		Modify Date		60Hz	
Before modification		After modification		Totally	
Mark		1		5	
		2		Pages	
		3		CE	
		4		Voltage	
		5		Frequency	
		6		400V	
		7		60Hz	
		8		Totally	
				5	
				Pages	
				CE	
				Voltage	
				Frequency	
				400V	
				60Hz	

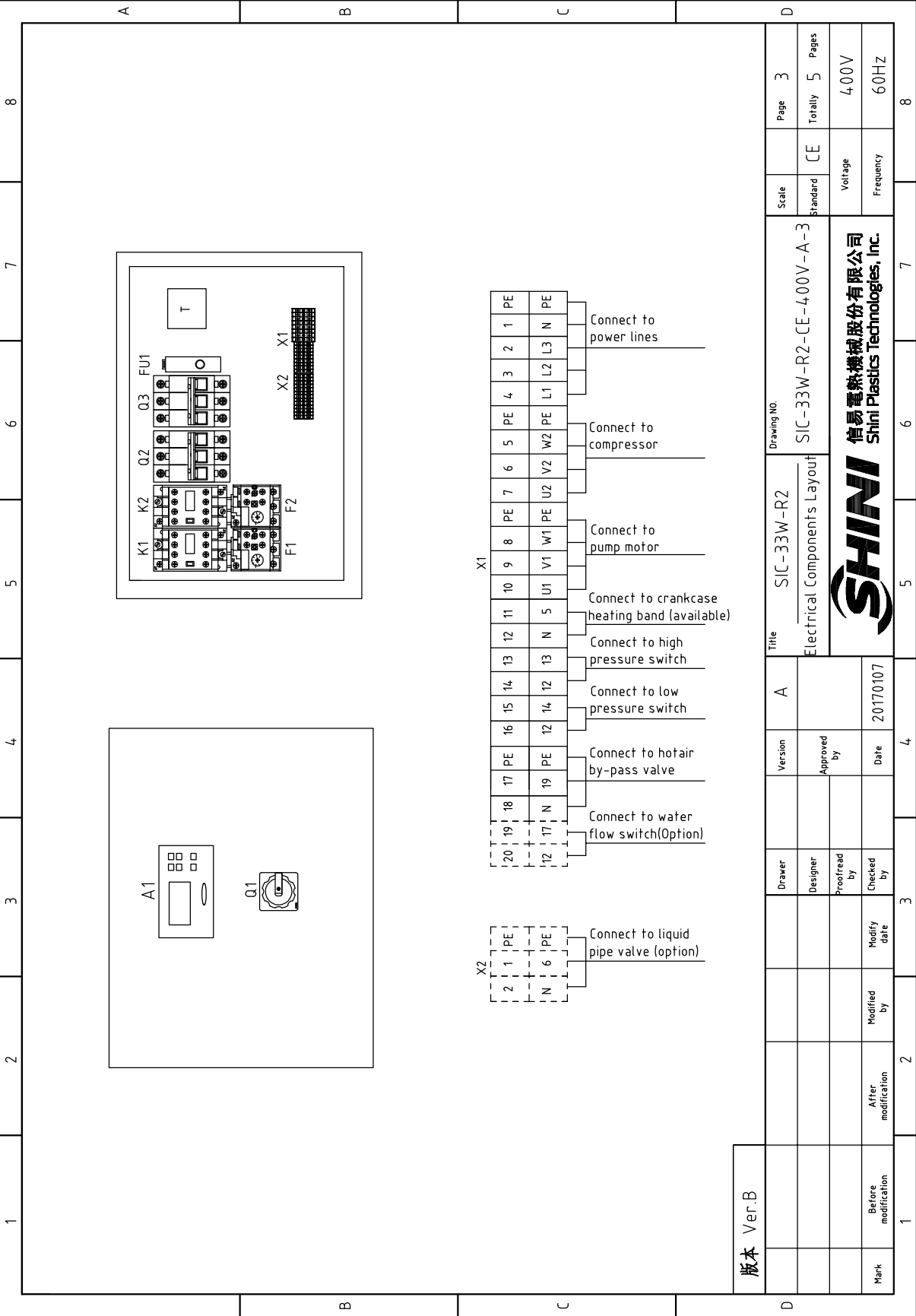




Version		Title		Drawing No.		Scale		Page	
A		SIC-33W-R2		SIC-33W-R2-CE-4.00V-A-2		Standard		Page 2	
Designer		Control Circuit Diagram		CE		Voltage		Totally 5	
Proofread by		SHINI		信易電熱機械股份有限公司		Frequency		4.00V	
Checked by		20170107		SHINI		Frequency		60HZ	
Modify date		Date		SHINI		Frequency		60HZ	
After modification		Date		SHINI		Frequency		60HZ	
Before modification		Date		SHINI		Frequency		60HZ	
Mark		Date		SHINI		Frequency		60HZ	

版本 Ver.B

1



版本 Ver.B

Mark	Before modification	Modified by	Modify date	Checked by	Date	Proofread by	Designer	Drawer	Version	Title	Drawing NO.	Scale	Page
					20170107			A		Electrical Components Layout	SIC-33W-R2	Standard	3
									Approved by			CE	Totally 5
													Pages
													4.00V
													60HZ
													8

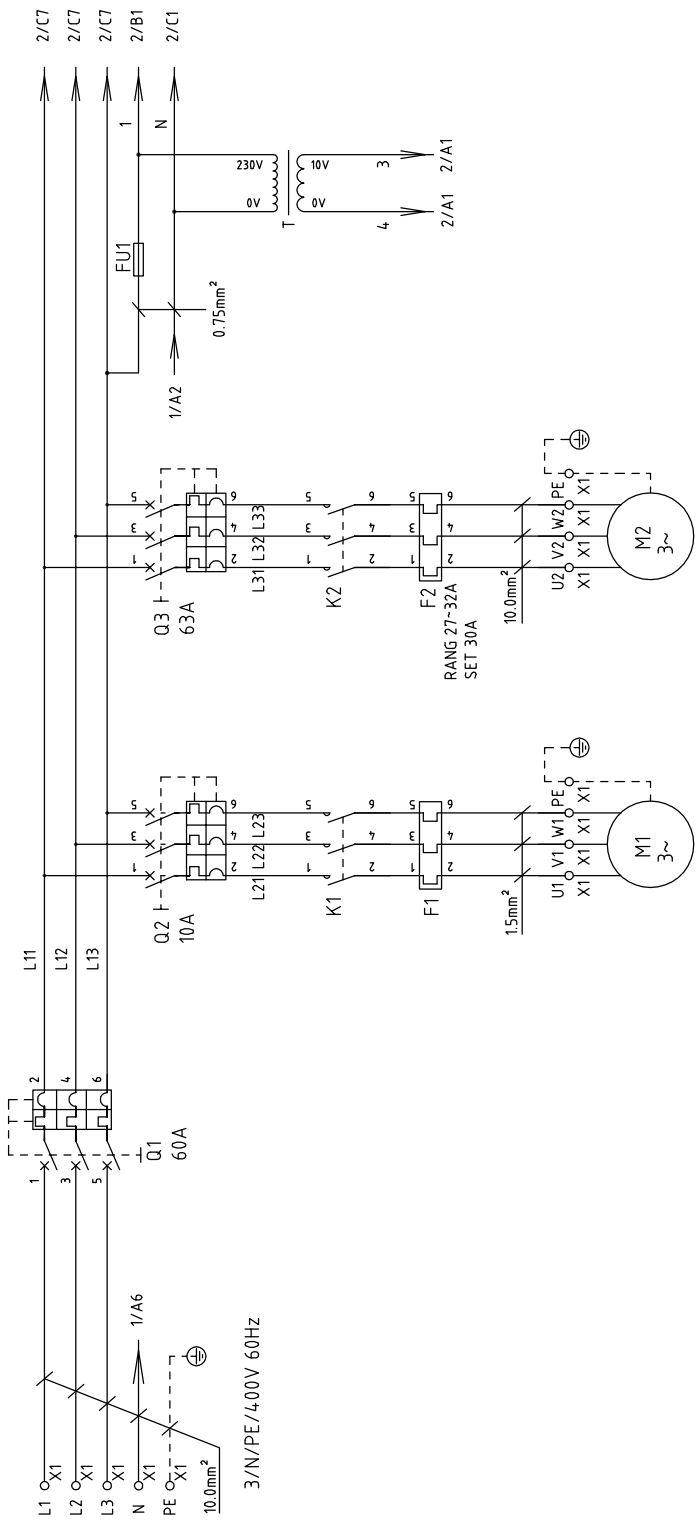
SHINI
信易塑料机械股份有限公司
Shini Plastics Technologies, Inc.

1	2		3	4	5	6	7	8
NO.	Symbol	Name	Manufacturer	Type	Specification	Number	Material number	Remark
1	Q1	Main switch	MOELLER	P1-63/EA/SVB	32A	1	YE10323200000	
2	Q2	Circuit breaker	TECO	BM-63C/3010S	10A	1	YE40301003000	
3	Q3	Circuit breaker	TECO	BM-63C/3040S	40A	1	YE40304003000	A
4	K1	Contacto	SIEMENS	3RT6016-1AN21	230VAC 50/60Hz	1	YE00601621000	
5	K2	Contacto	SIEMENS	3RT6027-1AN20	230VAC 50/60Hz	1	YE00602722000	
6		Auxiliary block	SIEMENS	3RH6911-1AA10	1NO	1	YE00691110000	(2)
7	F1	Thermo overload relay	SIEMENS	3RU6116-1EB0	2.8-4A	1	YE01160280000	SIC-33W-R2-P
8	F1	Thermo overload relay	SIEMENS	3RU6116-1GB0	4.5-6.3A	1	YE01160450000	SIC-33W-R2-HP
9	F2	Thermo overload relay	SIEMENS	3RU6126-4CB0	17-22A	1	YE0126070000	
10	FU1	Fuse	YINDA	FS-10	2A	1	YE41001000000	
11	A1	Controllor	PUNP	SF317500A	AC 10V	1	YE80000100900	B
12	S1	Anti-freezing temp. RTD	PUNP	RTD	----	1	----	
13	S3	Water tank temp. RTD	PUNP	RTD	----	1	----	
14	T	Transformer	PUNP	IN=220V OUT=9.8V	----	1	----	
15	S4	HI pressure switch	----	----	----	1	----	(1)
16	S5	L0 pressure switch	----	----	----	1	----	(1)
17	S6	Water flow switch	----	----	----	1	----	(1)(3)
18	S7	Communication interface board RS-485 (double Dsub-9pin connector)	----	----	----	1	YE9004.8501200	(1)
19		Shell RS485(SAL-700G-A-1910)	----	----	----	1	YR4004.8500000	(1)
20	X1	Terminal board	----	2.5mm ²	----	11	YE60002503200	
21		Terminal board	----	2.5mm ² PE	----	2	YE60002503400	
22		Terminal board	----	2.5mm ²	----	2	YE60002503200	(3)
23		Terminal board	----	6.0mm ²	----	7	YE60000603200	
24		Terminal board	----	6.0mm ² PE	----	2	YE60000603500	
25	X2	Terminal board	----	2.5mm ²	----	2	YE60002503200	(2)
版本 Ver.B Notes: (1)Means it's not the material inside the control box.(2)Stands for optional liquid pipe valve.(3)Stands for optional water flow switch.								
				A	SIC-33W-R2	SIC-33W-R2-CE-4.00V-A-4	Scale	Page 4
				Version	Title	Drawing NO.	Standard	Page 4
				Designer	Electrical Components List 1	SIC-33W-R2-CE-4.00V-A-4	Voltage	4.00V
				Proofread by			Frequency	60Hz
				Checked by	20170107		CE	Totally 5 Pages
				Modified by				
				Modify date				
				Before modification				
				After modification				
				Mark				
1	2		3	4	5	6	7	8



1		2		3		4		5		6		7		8	
NO.	Symbol	Name	Manufacturer	Type	Specification	Number	Material number	Remark							
26		Terminal board	----	2.5mm ² PE	----	1	YE60002503400	(2)							
27	Y1	Solenoid valve	----	----	230V 50/60Hz	1	----	(1)							
28	Y2	Solenoid valve	----	----	230V 50/60Hz	1	----	(1)(2)							
29	M1	Pump motor	----	MID pressure pump 1.5KW	4.00V 60Hz	1	SIC-33W-R2-P	(1)							
30	M1	Pump motor	----	HI pressure pump 2.2KW	4.00V 60Hz	1	SIC-33W-R2-HP	(1)							
31	M2	Compressor	----	----	4.00V 60Hz 11.7kW	1	----	(1)							
32	EH1	Crankcase heating zone	----	----	230V 50/60Hz 4.5W	1	----	(1)							
A															
B															
C															
D															
版本 Ver.B Notes: (1)Means it's not the material inside the control box.(2)Stands for optional liquid pipe valve.(3)Stands for optional water flow switch.															
				Title SIC-33W-R2 Electrical Components List 2		Drawing NO. SIC-33W-R2-CE-4.00V-A-5		Scale Standard CE		Page 5 Totality 5		Voltage 4.00V Frequency 60Hz			
Mark Before modification				Modified by		Modify date		Designer		Approved by		Date 20170107			
SHINI 信易电热机械股份有限公司 Shini Plastics Technologies, Inc.															
1 2 3 4 5 6 7 8															

1 2 3 4 5 6 7 8



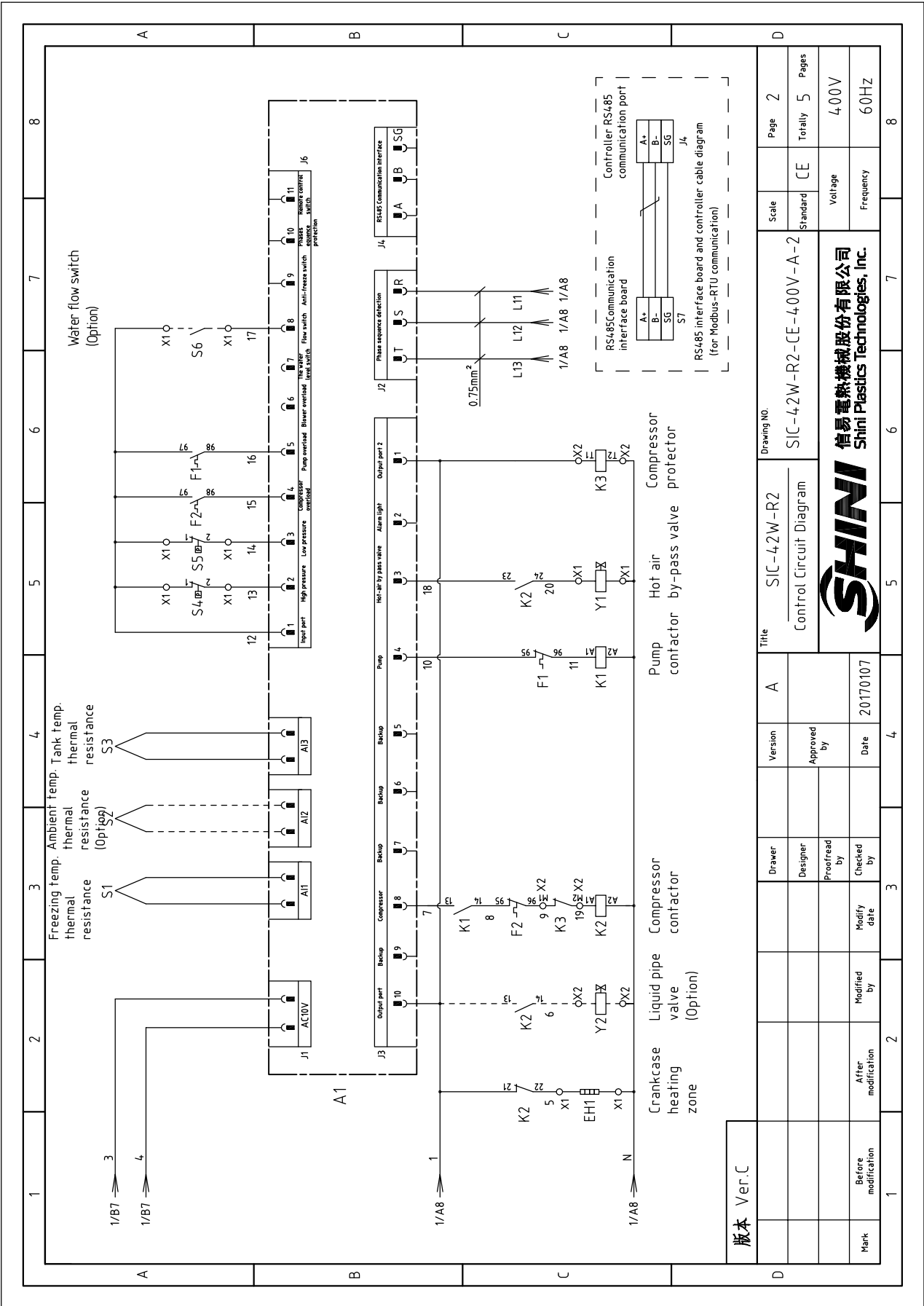
SIC-42W-R2-P: 1.5kW/3.1A
 SIC-42W-R2-HP: 2.2kW/4.5A
 Pump motor

P=15.5kW
 IN=30A
 Compressor

版本 Ver.C

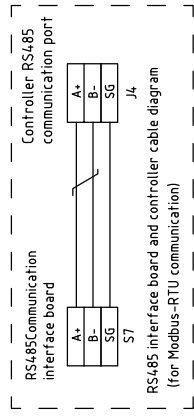
Drawing NO.		SIC-42W-R2		Page 1	
Title		Main Circuit Diagram		Scale	
Version		A		Standard	
Drawer				Voltage	
Designer				Frequency	
Proofread by				4.00V	
Checked by				60Hz	
Modify Date				Totally 5	
Mark		Before modification		Pages	
		After modification		4.00V	
		Date		60Hz	
		20170107		8	



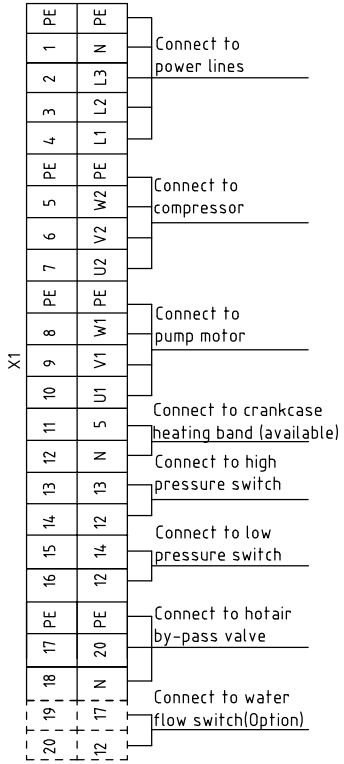
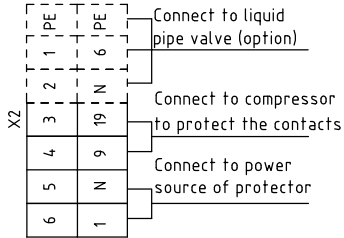
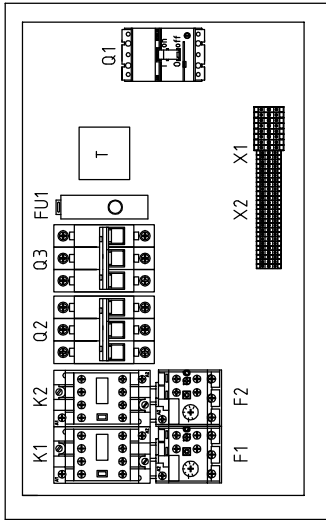
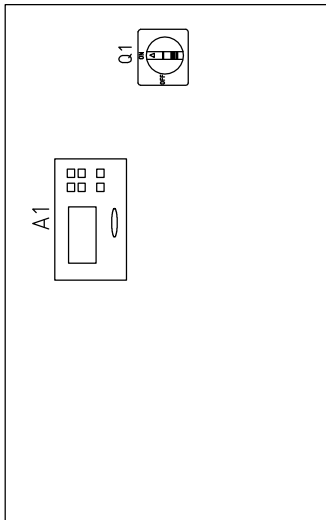


版本 Ver.C

Mark	Before modification	Modified by	20170107	Date	20170107	Checked by		Date	20170107	Approved by		Version	A	Title	SIC-42W-R2 Control Circuit Diagram	Drawing NO.	SIC-42W-R2-CE-400V-A-2	Scale	Standard	CE	Page	2		
Before modification	Modified by	Modify date																				Totally	5	
																							Pages	400V
																							Frequency	60HZ



1 2 3 4 5 6 7 8



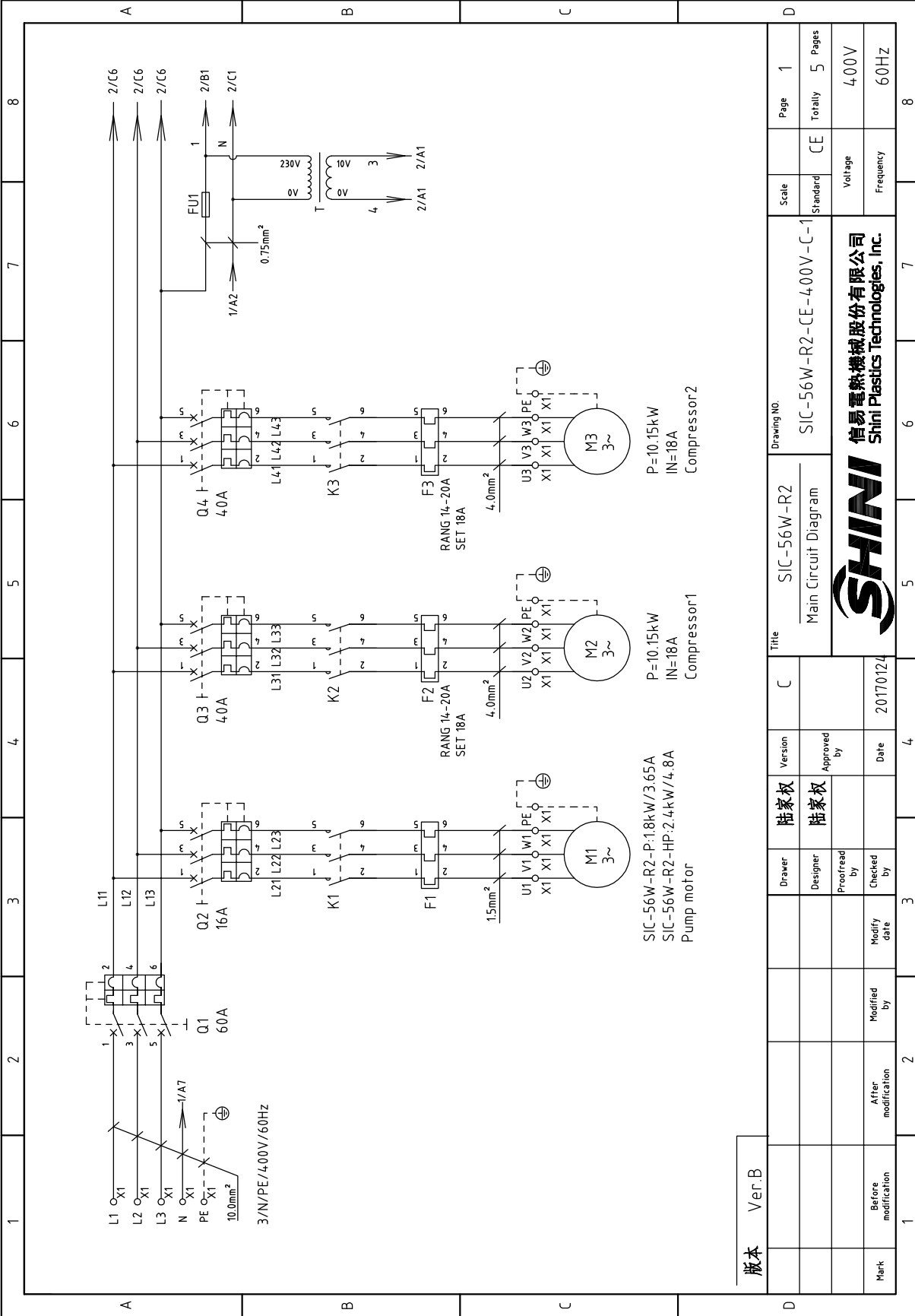
版本 Ver.C

Mark	Before modification	After modification	Modified by	Modify date	Checked by	Date	20170107	Version	A	Title	SIC-42W-R2		Drawing NO.	SIC-42W-R2-CE-400V-A-3		Scale	Standard	CE	Page	3	
					Approved by																
										Electrical Components Layout		SIC-42W-R2-CE-400V-A-3		Standard		CE		Voltage		400V	
										SHINI		信易电热机械股份有限公司		Shini Plastics Technologies, Inc.		Frequency		60Hz	Totally		5
										SHINI		信易电热机械股份有限公司		Shini Plastics Technologies, Inc.		Frequency		60Hz	Totally		5

1 2 3 4 5 6 7 8

1		2		3		4		5		6		7		8	
NO.	Symbol	Name	Manufacturer	Type	Specification	Number	Material number	Remark							
1	Q1	Breaker interlock	ABB	A1A125TMF60/6003PFF	60A	1	YE4.1106200000								
2	Q2	Circuit breaker	TECO	BM-63C/3010S	10A	1	YE4.0301003000								
3	Q3	Circuit breaker	TECO	BM-63C/3063S	63A	1	YE4.0306303000								
4	K1	Contacto	SIEMENS	3RT6016-1AN21	230VAC 50/60Hz	1	YE00601621000								
5	K2	Contacto	SIEMENS	3RT6028-1AN20	230VAC 50/60Hz	1	YE00602822000								
6		Auxiliary block	SIEMENS	3RH6911-1AA10	1NO	1	YE00691110000	(2)							
7	F1	Thermo overload relay	SIEMENS	3RU6116-1EB0	2.8-4A	1	YE01160280000	SIC-4.2W-R2-P							
8	F1	Thermo overload relay	SIEMENS	3RU6116-1GB0	4.5-6.3A	1	YE01160450000	SIC-4.2W-R2-HP							
9	F2	Thermo overload relay	SIEMENS	3RU6126-4EB0	27-32A	1	YE01612600600								
10	FU1	Fuse	YINDA	FS-10	2A	1	YE4.1001000000								
11	A1	Controllor	PUNP	SF317500A	AC 10V	1	YE80000100900								
12	S1	Anti-freezing temp. RTD	PUNP	RTD	----	1	----								
13	S3	Water tank temp. RTD	PUNP	RTD	----	1	----								
14	T	Transformer	PUNP	IN=220V OUT=9.8V	----	1	----								
15	S4	HI pressure switch	----	----	----	1	----	(1)							
16	S5	L0 pressure switch	----	----	----	1	----	(1)							
17	S6	Water flow switch	----	----	----	1	----	(1)(3)							
18	S7	Communication interface board RS-485 (double Dsub-9-pin connector)	----	----	----	1	YE9004.8501200	(1)							
19		Shell RS485(SAL-700G-A-1910)	----	----	----	1	YR4.004.8500000	(1)							
20	X1	Terminal board	----	2.5mm ²	----	11	YE60002503200								
21		Terminal board	----	2.5mm ² PE	----	2	YE60002503400								
22		Terminal board	----	10.0mm ²	----	7	YE60001003200								
23		Terminal board	----	10.0mm ² PE	----	2	YE60001003500								
24		Terminal board	----	2.5mm ²	----	2	YE60002503200	(3)							
25	X2	Terminal board	----	2.5mm ²	----	2	YE60002503200	(2)							
版本 Ver.C Notes: (1)Means it's not the material inside the control box.(2)Stands for optional liquid pipe valve.(3)Stands for optional water flow switch.															
		Drawer		Version		A		Title		SIC-4.2W-R2		Drawing NO.		Page 4	
		Designer		Approved by				Electrical Components List 1		SIC-4.2W-R2-CE-4.00V-A-4		Standard		CE	
		Proofread by		Date		20170107		SHINI		信易塑料机械股份有限公司		Voltage		4.00V	
		Checked by		Modify date				SHINI		Shini Plastics Technologies, Inc.		Frequency		60HZ	
Mark		Before modification		Modified by											
1		2		3		4		5		6		7		8	

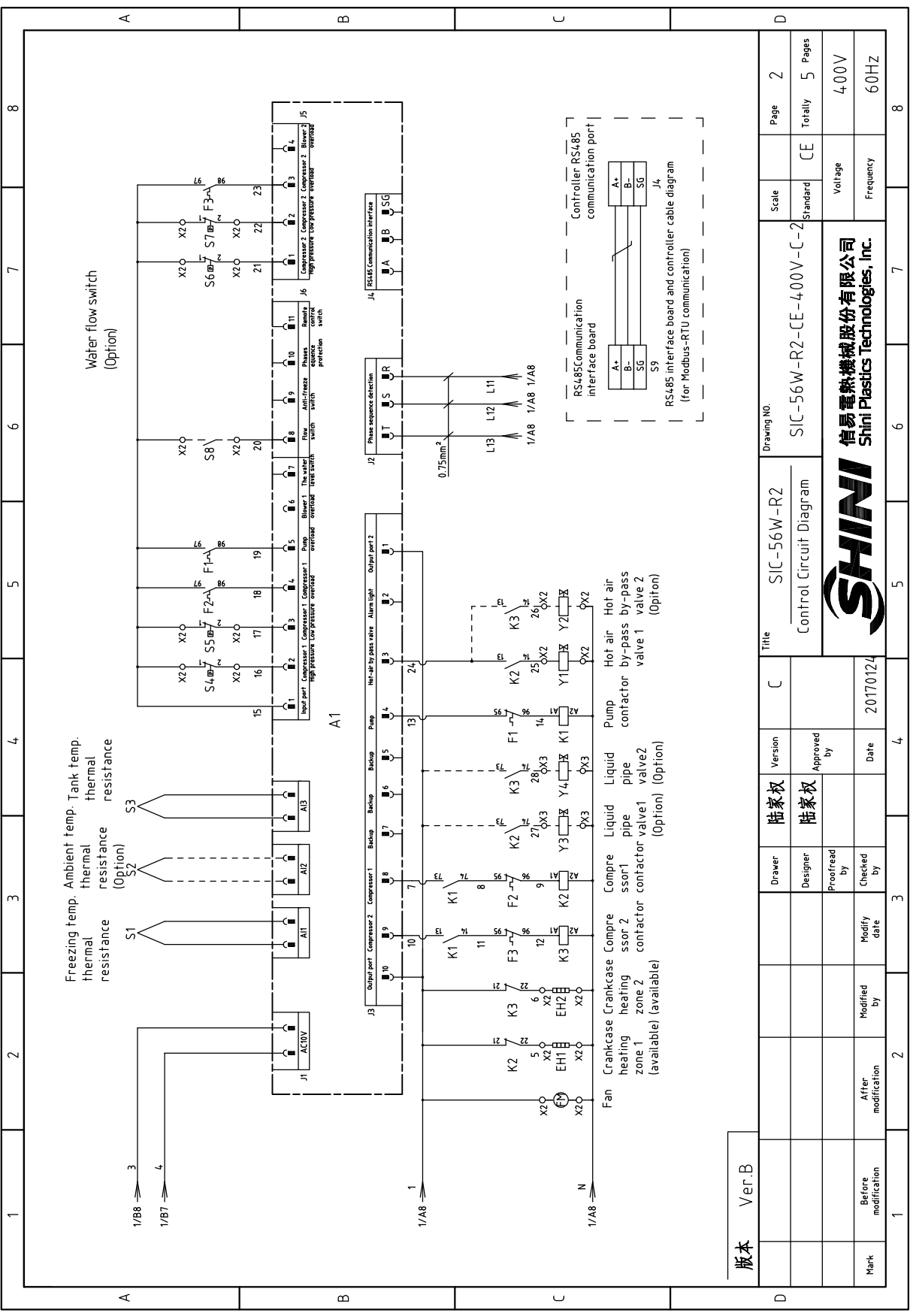
1		2		3		4		5		6		7		8	
NO.	Symbol	Name	Manufacturer	Type	Specification	Number	Material number	Remark							
26		Terminal board	----	2.5mm ²	----	4	YE60002503200								
27		Terminal board	----	2.5mm ² PE	----	1	YE60002503400	(2)							
28	Y1	Solenoid valve	----	----	230V 50/60HZ	1	----	(1)							
29	Y2	Solenoid valve	----	----	230V 50/60HZ	1	----	(1)(2)							
30	M1	Pump motor	----	MID pressure pump 1.5KW	400V 60HZ	1	SIC-42W-R2-P	(1)							
31	M1	Pump motor	----	HI pressure pump 2.2KW	400V 60HZ	1	SIC-42W-R2-HP	(1)							
32	M2	Compressor	----	----	400V 60HZ 15.5kW	1	----	(1)							
33	EH1	Crankcase heating zone	----	----	230V 50/60HZ 4.5W	1	----	(1)							
B															
C															
D															
版本 Ver. C Notes: (1)Means it's not the material inside the control box.(2)Stands for optional liquid pipe valve.(3)Stands for optional water flow switch.															
				Title		SIC-42W-R2		Drawing NO.		Scale		Page		5	
				Version		A		SIC-42W-R2-CE-400V-A-5		Standard		CE		Totally 5 Pages	
				Designer		Approved by		Electrical Components List 2		Voltage		4.00V			
				Proofread by		Date		20170107		Frequency		60HZ			
Mark				Before modification		Modified by		Modify date		Checked by		Date		20170107	
SHINI 信易塑料机械股份有限公司 Shini Plastics Technologies, Inc.															
SHINI															
5 6 7 8															



版本 Ver.B

Mark	Before modification	After modification	Modify Date	Checked by	Date	Version	Title	Drawing No.	Scale	Page
									Standard	1
							Main Circuit Diagram	SIC-56W-R2	CE	Totally 5 Pages
									Voltage	400V
									Frequency	60HZ



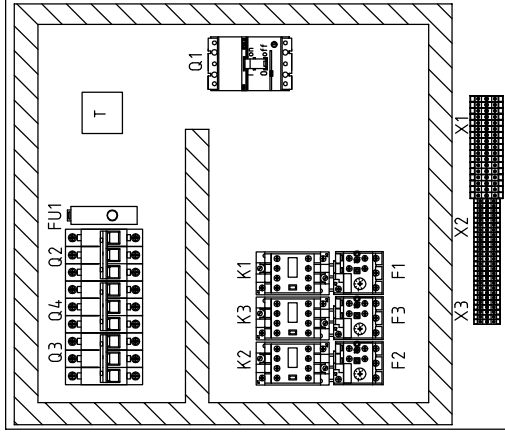
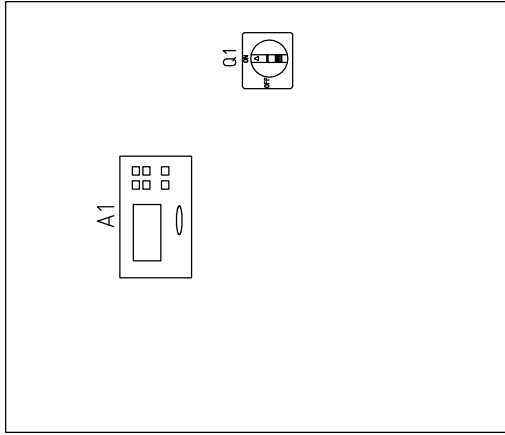


SHINI
 信易塑料机械股份有限公司
 Shini Plastics Technologies, Inc.

版本	Ver.B		Title	SIC-56W-R2		Drawing NO.	SIC-56W-R2-CE-400V-C-2		Page	2	
				Control Circuit Diagram			Standard			CE	Totally
Mark	Before modification	Modified by	Modify date	Checked by	Date	20170124	Approved by	Designer	Proofread by	Frequency	60Hz
Before modification	After modification	Modified by	Modify date	Checked by	Date	20170124	Approved by	Designer	Proofread by	Voltage	400V
Mark	Before modification	Modified by	Modify date	Checked by	Date	20170124	Approved by	Designer	Proofread by	Frequency	60Hz

Ver.B

1 2 3 4 5 6 7 8



- X3
- 1 PE
 - 2 1 PE
 - 3 2 1 PE
 - 4 3 2 1 PE
 - 5 PE
 - 6 5 PE
 - 7 6 5 PE
 - 8 PE
 - 9 PE
 - 10 PE
 - 11 PE
 - 12 PE
 - 13 PE
 - 14 PE
 - 15 PE
 - 16 PE
 - 17 PE
 - 18 PE
 - 19 PE
 - 20 PE
 - 21 PE
 - 22 PE
 - 23 PE
 - 24 PE
 - 25 PE
 - 26 PE
 - 27 PE
 - 28 PE
 - N
- Connect to liquid pipe valve 1(option)
- Connect to liquid pipe valve 2(option)

- X2
- 1
 - 2
 - 3
 - 4
 - 5
 - 6
 - 7
 - 8
 - 9
 - 10
 - 11
 - 12
 - 13
 - 14
 - 15
 - 16
 - 17
 - 18
 - 19
 - 20
 - 21
 - 22
 - 23
 - 24
 - 25
 - 26
 - 27
 - 28
 - 29
 - 30
 - 31
 - 32
 - 33
 - 34
 - 35
 - 36
 - 37
 - 38
 - 39
 - 40
 - 41
 - 42
 - 43
 - 44
 - 45
 - 46
 - 47
 - 48
 - 49
 - 50
 - 51
 - 52
 - 53
 - 54
 - 55
 - 56
 - 57
 - 58
 - 59
 - 60
 - 61
 - 62
 - 63
 - 64
 - 65
 - 66
 - 67
 - 68
 - 69
 - 70
 - 71
 - 72
 - 73
 - 74
 - 75
 - 76
 - 77
 - 78
 - 79
 - 80
 - 81
 - 82
 - 83
 - 84
 - 85
 - 86
 - 87
 - 88
 - 89
 - 90
 - 91
 - 92
 - 93
 - 94
 - 95
 - 96
 - 97
 - 98
 - 99
 - 100
 - N
- Connect to cooling fan
- Connect to hot air by-pass valve 2(Option)
- Connect to hot air by-pass valve 1
- Connect to water flow switch(Option)
- Connect to crankcase heating band 2(available)
- Connect to crankcase heating band 1(available)
- Connect to low pressure switch 2
- Connect to high pressure switch 2
- Connect to low pressure switch 1
- Connect to high pressure switch 1

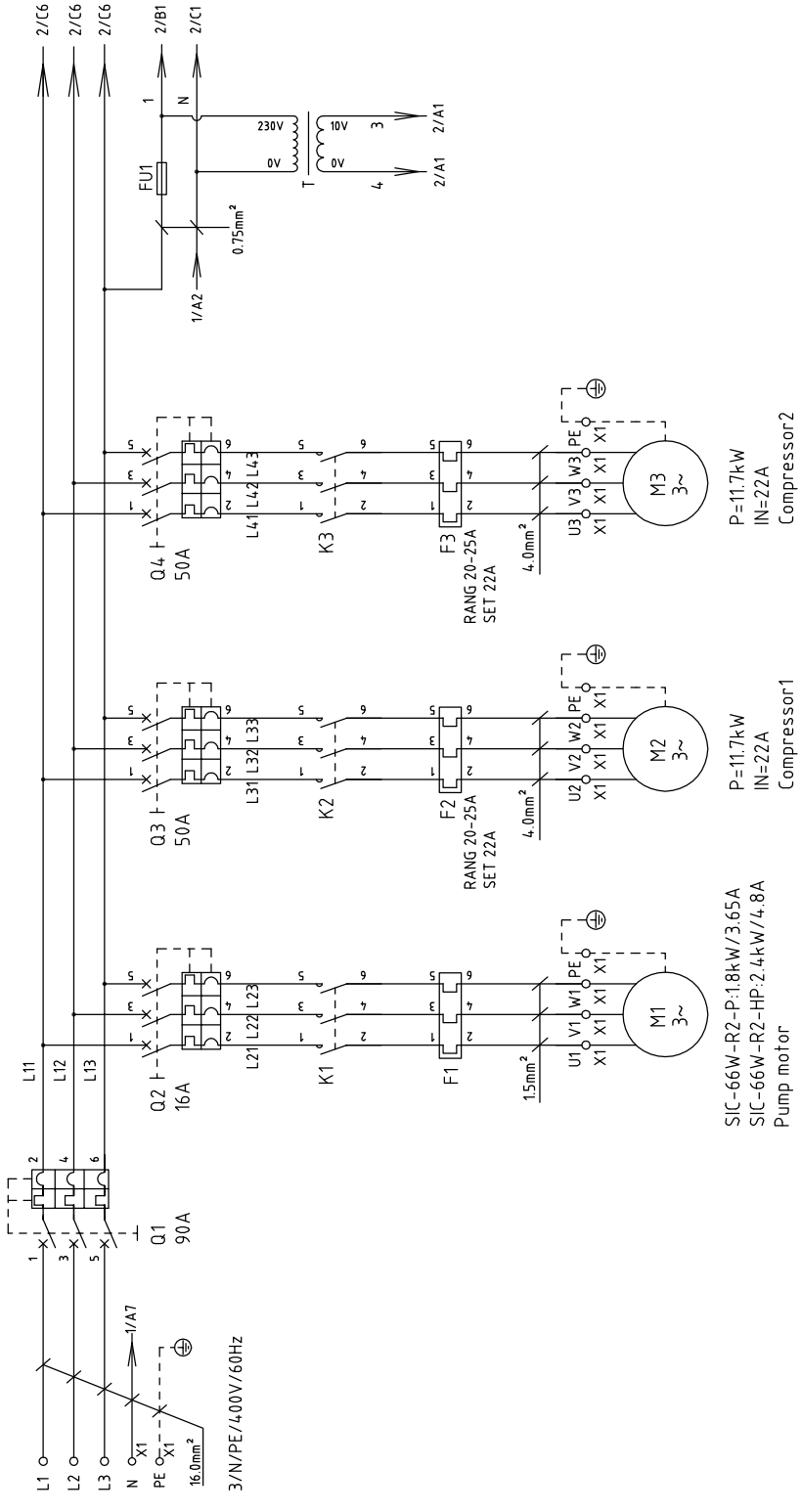
- X1
- 1
 - 2
 - 3
 - 4
 - 5
 - 6
 - 7
 - 8
 - 9
 - 10
 - 11
 - 12
 - 13
 - 14
 - 15
 - 16
 - 17
 - 18
 - 19
 - 20
 - 21
 - 22
 - 23
 - 24
 - 25
 - 26
 - 27
 - 28
 - 29
 - 30
 - 31
 - 32
 - 33
 - 34
 - 35
 - 36
 - 37
 - 38
 - 39
 - 40
 - 41
 - 42
 - 43
 - 44
 - 45
 - 46
 - 47
 - 48
 - 49
 - 50
 - 51
 - 52
 - 53
 - 54
 - 55
 - 56
 - 57
 - 58
 - 59
 - 60
 - 61
 - 62
 - 63
 - 64
 - 65
 - 66
 - 67
 - 68
 - 69
 - 70
 - 71
 - 72
 - 73
 - 74
 - 75
 - 76
 - 77
 - 78
 - 79
 - 80
 - 81
 - 82
 - 83
 - 84
 - 85
 - 86
 - 87
 - 88
 - 89
 - 90
 - 91
 - 92
 - 93
 - 94
 - 95
 - 96
 - 97
 - 98
 - 99
 - 100
 - N
- Connect to pump motor
- Connect to compressor 1
- Connect to compressor 2
- Connect to power lines

版本 Ver.B

Note: Compressor, pump, solenoid valve, circuit board must be connected to the ground.

Drawing No.		Title		Version		C		Scale		Page	
SIC-56W-R2		SIC-56W-R2		陆家权		陆家权		Standard		3	
Electrical Components Layout		Electrical Components Layout		Approved by		Approved by		CE		Totally 5 Pages	
SHINI		SHINI		Date		Date		Voltage		400V	
信易塑料机械股份有限公司		信易塑料机械股份有限公司		20170124		20170124		Frequency		60Hz	
Mark		Mark		Modify date		Modify date		Frequency		60Hz	
Before modification		Before modification		20170124		20170124		Frequency		60Hz	
After modification		After modification		20170124		20170124		Frequency		60Hz	
1		1		4		4		5		8	

1	2		3	4	5	6	7	8		
NO.	Symbol	Name	Manufacturer	Type	Specification	Number	Material number	Remark		
1	Q1	Breaker interlock	ABB	A1A125TMF60/6003PFF	60A	1	YE41106200000			
2	Q2	Circuit breaker	TECO	BM-63C/3016S	16A	1	YE40301603000			
3	Q3 Q4	Circuit breaker	TECO	BM-63C/3040S	40A	2	YE40304003000	A		
4	K1	Contactor	SIEMENS	3RT6016-1AN21	230VAC 50/60Hz	1	YE00601621000			
5		Auxiliary block	SIEMENS	3RH6911-1AA10	1NO	1	YE00691110000			
6	K2 K3	Contactor	SIEMENS	3RT6026-1AN20	220VAC 50/60Hz	2	YE00602622000			
7		Auxiliary block	SIEMENS	3RH6911-1AA10	1NO	2	YE00691110000	(4)		
8	F1	Thermo overload relay	SIEMENS	3RU6116-1FB0	3.5-5A	1	YE01160350000	SIC-56W-R2-P		
9	F1	Thermo overload relay	SIEMENS	3RU6116-1GB0	4.5-6.32A	1	YE01160450000	SIC-56W-R2-HP		
10	F2 F3	Thermo overload relay	SIEMENS	3RU6126-4BB0	14-20A	2	YE01260140000			
11	FU1	Fuse	YINDA	FS-10	2A	1	YE41001000000	B		
12	A1	Controller	PUNP	SF317500A	AC 10V	1	YE80317500900			
13	S1	Anti-freezing temp. RTD	PUNP	RTD	----	1	----			
14	S3	Water tank temp. RTD	PUNP	RTD	----	1	----			
15	T	Transformer	PUNP	IN=220V OUT=9.8V	----	1	----			
16	S4 S6	HI pressure switch	----	----	----	2	----	(1)		
17	S5 S7	L0 pressure switch	----	----	----	2	----	(1)		
18	S8	Water flow switch	----	----	----	1	----	(1)(3)		
19	S9	Communication interface board RS-485 (double Dsub-9pin connector)	----	----	----	1	YE90048501200	(1)		
20		Shell RS485(SAL-700G-A-19)0	----	----	----	1	YR40048500000	(1)		
21	X1	Terminal board	----	2.5mm ²	----	3	YE60002503200			
22		Terminal board	----	2.5mm ² PE	----	1	YE60002503400			
23		Terminal board	----	4.0mm ²	----	6	YE60000403200			
24		Terminal board	----	4.0mm ² PE	----	2	YE60000403500			
25		Terminal board	----	10mm ² PE	----	1	YE60001003500			
Ver.B		Notes: (1)Means it's not the material inside the control box.(2) Stands for optional the second by-pass valve. (3)Stands for optional water flow switch.(4)Stands for optional liquid pipe valve.			Title		Scale		Page	
		DRAWING NO.			SIC-56W-R2		SIC-56W-R2-CE-400V-C-4		4	
		Electrical Components List 1			Standard		CE		Page 4	
		SHINI			Voltage		4.00V		Totally 5	
		SHINI SHINI PLASTICS TECHNOLOGIES, INC.			Frequency		60HZ		Pages	
Mark		Before modification	Modified by	Modify date	Checked by	Date	20170124	4	5	6
1	2	3	4	5	6	7	8	9	10	11



SIC-66W-R2-P:1.8kW/3.65A
 SIC-66W-R2-HP:2.4kW/4.8A
 Pump motor

P=11.7kW
 IN=22A
 Compressor1

P=11.7kW
 IN=22A
 Compressor2

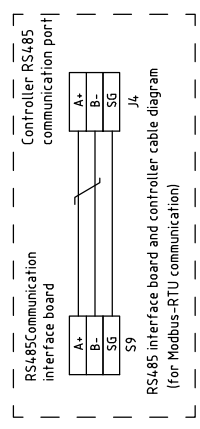
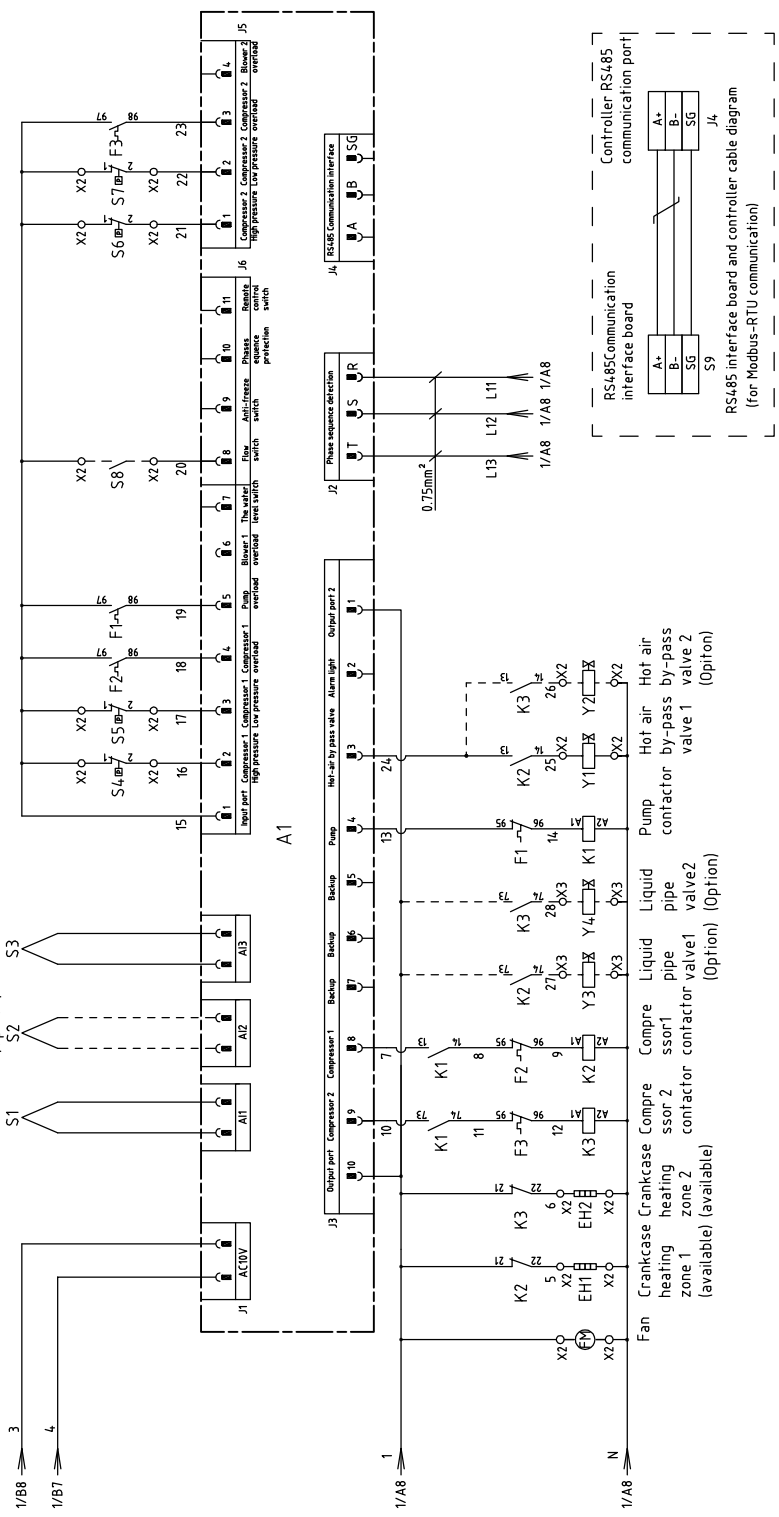
版本 Ver.B

Mark	Before modification	After modification	Modify Date	Checked by	Proofread by	Designer	Drawer	Version	C	Title	SIC-66W-R2	Drawing NO.	SIC-66W-R2-CE-400V-C-1	Scale	CE	Page	1		
						陆家权	陆家权	陆家权		Main Circuit Diagram				Standard		Totally	5		
																	Pages	400V	
																		Frequency	60Hz
1	2	3	4	5	6	7	8												



Freezing temp. thermal resistance (Option)
 Ambient temp. thermal resistance (Option)
 Tank temp. thermal resistance (Option)

Water flow switch (Option)

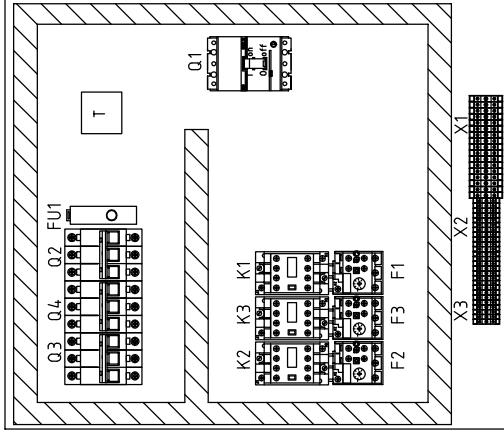
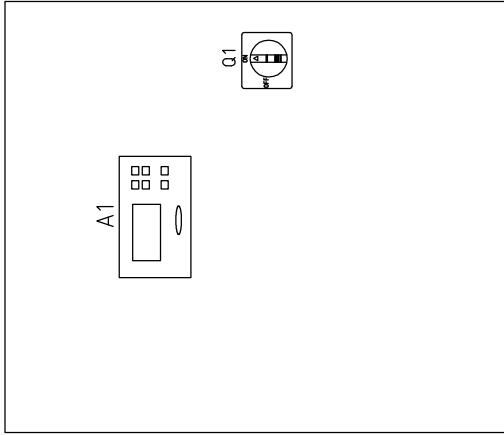


版本 Ver.B

Title		SIC-66W-R2		Drawing NO.		Page 2	
Control Circuit Diagram		SIC-66W-R2-CE-400V-C-2		Standard		CE	
Designer		陆家权		Voltage		400V	
Proofread by		陆家权		Frequency		60Hz	
Checked by		Date		Totally		5	
Modified by		20170124		Pages		400V	
After modification		Date		Frequency		60Hz	
Mark		Before modification		Page		2	
1		2		3		4	
5		6		7		8	



1 2 3 4 5 6 7 8



X3

1	PE	Connect to liquid pipe valve 1(option)
2	PE	Connect to liquid pipe valve 2(option)
3	PE	
4	PE	
5	PE	
6	PE	
7	PE	
8	PE	
9	PE	
10	PE	
11	PE	
12	PE	
13	PE	
14	PE	
15	PE	
16	PE	
17	PE	
18	PE	
19	PE	
20	N	Connect to cooling fan
21	N	
22	N	
23	N	
24	N	
25	N	Connect to hot air by-pass valve 1
26	N	Connect to hot air by-pass valve 2 (Option)
27	PE	
28	PE	

X2

1	1	Connect to high pressure switch 1
2	2	Connect to low pressure switch 1
3	3	
4	4	Connect to high pressure switch 2
5	5	Connect to low pressure switch 2
6	6	
7	7	
8	8	
9	9	Connect to crankcase heating band 1(available)
10	10	Connect to crankcase heating band 2(available)
11	11	
12	12	
13	13	
14	14	Connect to water flow switch(Optional)
15	15	
16	16	
17	17	
18	18	
19	19	
20	20	
21	21	
22	22	
23	23	
24	24	
25	25	
26	26	
27	27	
28	28	
29	29	
30	30	
31	31	
32	32	
33	33	
34	34	
35	35	
36	36	
37	37	
38	38	
39	39	
40	40	
41	41	
42	42	
43	43	
44	44	
45	45	
46	46	
47	47	
48	48	
49	49	
50	50	
51	51	
52	52	
53	53	
54	54	
55	55	
56	56	
57	57	
58	58	
59	59	
60	60	
61	61	
62	62	
63	63	
64	64	
65	65	
66	66	
67	67	
68	68	
69	69	
70	70	
71	71	
72	72	
73	73	
74	74	
75	75	
76	76	
77	77	
78	78	
79	79	
80	80	
81	81	
82	82	
83	83	
84	84	
85	85	
86	86	
87	87	
88	88	
89	89	
90	90	
91	91	
92	92	
93	93	
94	94	
95	95	
96	96	
97	97	
98	98	
99	99	
100	100	

X1

1	PE	Connect to the ground wire of the power supply
2	PE	Connect to power's zero line.
3	3	Connect to compressor 2
4	4	
5	5	Connect to compressor 1
6	6	
7	7	
8	8	Connect to pump motor
9	9	
10	10	
11	11	
12	12	
13	13	
14	14	
15	15	
16	16	
17	17	
18	18	
19	19	
20	20	
21	21	
22	22	
23	23	
24	24	
25	25	
26	26	
27	27	
28	28	
29	29	
30	30	
31	31	
32	32	
33	33	
34	34	
35	35	
36	36	
37	37	
38	38	
39	39	
40	40	
41	41	
42	42	
43	43	
44	44	
45	45	
46	46	
47	47	
48	48	
49	49	
50	50	
51	51	
52	52	
53	53	
54	54	
55	55	
56	56	
57	57	
58	58	
59	59	
60	60	
61	61	
62	62	
63	63	
64	64	
65	65	
66	66	
67	67	
68	68	
69	69	
70	70	
71	71	
72	72	
73	73	
74	74	
75	75	
76	76	
77	77	
78	78	
79	79	
80	80	
81	81	
82	82	
83	83	
84	84	
85	85	
86	86	
87	87	
88	88	
89	89	
90	90	
91	91	
92	92	
93	93	
94	94	
95	95	
96	96	
97	97	
98	98	
99	99	
100	100	

Note: (1)Power cable inlet ends L1,L2,L3 directly connected to the breaker interlock which not pass by the terminal board.
 (2)Compressor, pump, solenoid valve, circuit board must be connected to the ground.

版本 Ver.B

Mark	Before modification	Modified by	Modify date	Checked by	Date	Proofread by	Designer	Drawer	Version	C	Title	Drawing NO.		Page
	After modification	Modified by	Modify date									SIC-66W-R2	SIC-66W-R2-CE-400V-C-3	
Blank							陆家权		陆家权		Electrical Components Layout	Standard	CE	Totally
					20170124									5
														8



1 2 3 4 5 6 7 8

1	2		3	4	5	6	7	8
NO.	Symbol	Name	Manufacturer	Type	Specification	Number	Material number	Remark
1	Q1	Breaker interlock	ABB	A1A125TMF90/9003PFF	90A	1	YE41109200000	
2	Q2	Circuit breaker	TECO	BM-63C/3016S	16A	1	YE40301603000	
3	Q3 Q4	Circuit breaker	TECO	BM-63C/3050S	50A	2	YE40305003000	A
4	K1	Contactor	SIEMENS	3RT6016-1AN21	230VAC 50/60Hz	1	YE00601621000	
5		Auxiliary block	SIEMENS	3RH6911-1AA10	1NO	1	YE00691110000	
6	K2 K3	Contactor	SIEMENS	3RT6027-1AN20	220VAC 50/60Hz	2	YE00602722000	
7		Auxiliary block	SIEMENS	3RH6911-1AA10	1NO	2	YE00691110000	(4)
8	F1	Thermo overload relay	SIEMENS	3RU6116-1FB0	3.5-5A	1	YE01160350000	SIC-66W-R2-P
9	F1	Thermo overload relay	SIEMENS	3RU6116-1GB0	4.5-6.32A	1	YE01160450000	SIC-66W-R2-HP
10	F2 F3	Thermo overload relay	SIEMENS	3RU6126-4DB0	20-25A	2	YE01260200000	
11	FU1	Fuse	YINDA	FS-10	2A	1	YE41001000000	B
12	A1	Controller	PUNP	SF317500A	AC 10V	1	YE80317500900	
13	S1	Anti-freezing temp. RTD	PUNP	RTD	----	1	----	
14	S3	Water tank temp. RTD	PUNP	RTD	----	1	----	
15	T	Transformer	PUNP	IN=220V OUT=9.8V	----	1	----	
16	S4 S6	HI pressure switch	----	----	----	2	----	(1)
17	S5 S7	L0 pressure switch	----	----	----	2	----	(1)
18	S8	Water flow switch	----	----	----	1	----	(1)(3)
19	S9	Communication interface board RS-485 (double Dsub-9pin connector)	----	----	----	1	YE90048501200	(1)
20		Shell RS485(SAL-700G-A-1910)	----	----	----	1	YR40048500000	(1)
21	X1	Terminal board	----	2.5mm ²	----	3	YE60002503200	
22		Terminal board	----	2.5mm ² PE	----	1	YE60002503400	
23		Terminal board	----	4.0mm ²	----	6	YE60000403200	
24		Terminal board	----	4.0mm ² PE	----	2	YE60000403500	
25		Terminal board	----	16mm ² PE	----	1	YE60001603500	
版本 Ver.B		Notes: (1)Means it's not the material inside the control box.(2) Stands for optional the second by-pass valve. (3)Stands for optional water flow switch.(4)Stands for optional liquid pipe valve.			Title SIC-66W-R2		Scale	
		Drawer	陆家权	Version	SIC-66W-R2		Standard	Page 4
		Designer	陆家权	Approved by	Electrical Components List 1		CE	Totally 5 Pages
		Proofread by		Date	SHINI 信易塑料机械股份有限公司 Shini Plastics Technologies, Inc.		Voltage	4.00V
		Checked by		20170124			Frequency	60Hz
Mark	Before modification	Modified by			5	6	7	8
1	2	3	4	5	6	7	8	

1	2	3	4	5	6	7	8		
概本 Ver.B									
NO.	Symbol	Name	Manufacturer	Type	Specification	Number	Material number	Remark	
									Drawer
26		Terminal board	----	16mm ²	----	1	YE60001603200		
27	X2	Terminal board	----	2.5mm ²	----	16	YE60002503200		
28		Terminal board	----	2.5mm ² PE	----	1	YE60002503400		
29		Terminal board	----	2.5mm ²	----	2	YE60002503200	(2)	
30		Terminal board	----	2.5mm ² PE	----	1	YE60002503400	(2)	
31		Terminal board	----	2.5mm ²	----	2	YE60002503200	(3)	
32	X3	Terminal board	----	2.5mm ²	----	4	YE60002503200	(4)	
33		Terminal board	----	2.5mm ² PE	----	2	YE60002503400	(4)	
34	Y1	Solenoid valve	----	----	230V 50/60Hz	1	----	(1)	
35	Y2	Solenoid valve	----	----	230V 50/60Hz	1	----	(1)(2)	
36	Y3 Y4	Solenoid valve	----	----	230V 50/60Hz	2	----	(1)(4)	
37	M1	Pump motor	----	----	400V 50/60Hz 1.8KW	1	SIC-66W-R2-P	(1)	
38	M1	Pump motor	----	----	400V 50/60Hz 2.4KW	1	SIC-66W-R2-HP	(1)	
39	M2 M3	Compressor	----	----	400V 50/60Hz 11.7kW	2	----	(1)	
40	EH1 EH2	Crankcase heating zone	----	----	230V 50/60Hz 4.5W	2	----	(1)	
41	FM	Fan	----	----	230V 50/60Hz	1	----	(1)	
Notes: (1)Means it's not the material inside the control box.(2) 2 Stands for optional the second by-pass valve. (3)Stands for optional water flow switch.(4)Stands for optional liquid pipe valve.									
Mark				Before modification	Modified by	Modify date	D		
							SIC-66W-R2 Electrical Components List 2	Scale	Page
				陆家权	陆家权		SIC-66W-R2-CE-400V-C-5	Standard	Totally
								CE	5
				Proofread by	Approved by			Voltage	Pages
				Checked by	Date	20170124		4.00V	60Hz
				After modification				Frequency	
1	2	3	4	5	6	7	8		
SHINI			Shini		Shini		Shini		
				SHINI 信易塑料機械股份有限公司		Shini Plastics Technologies, Inc.			