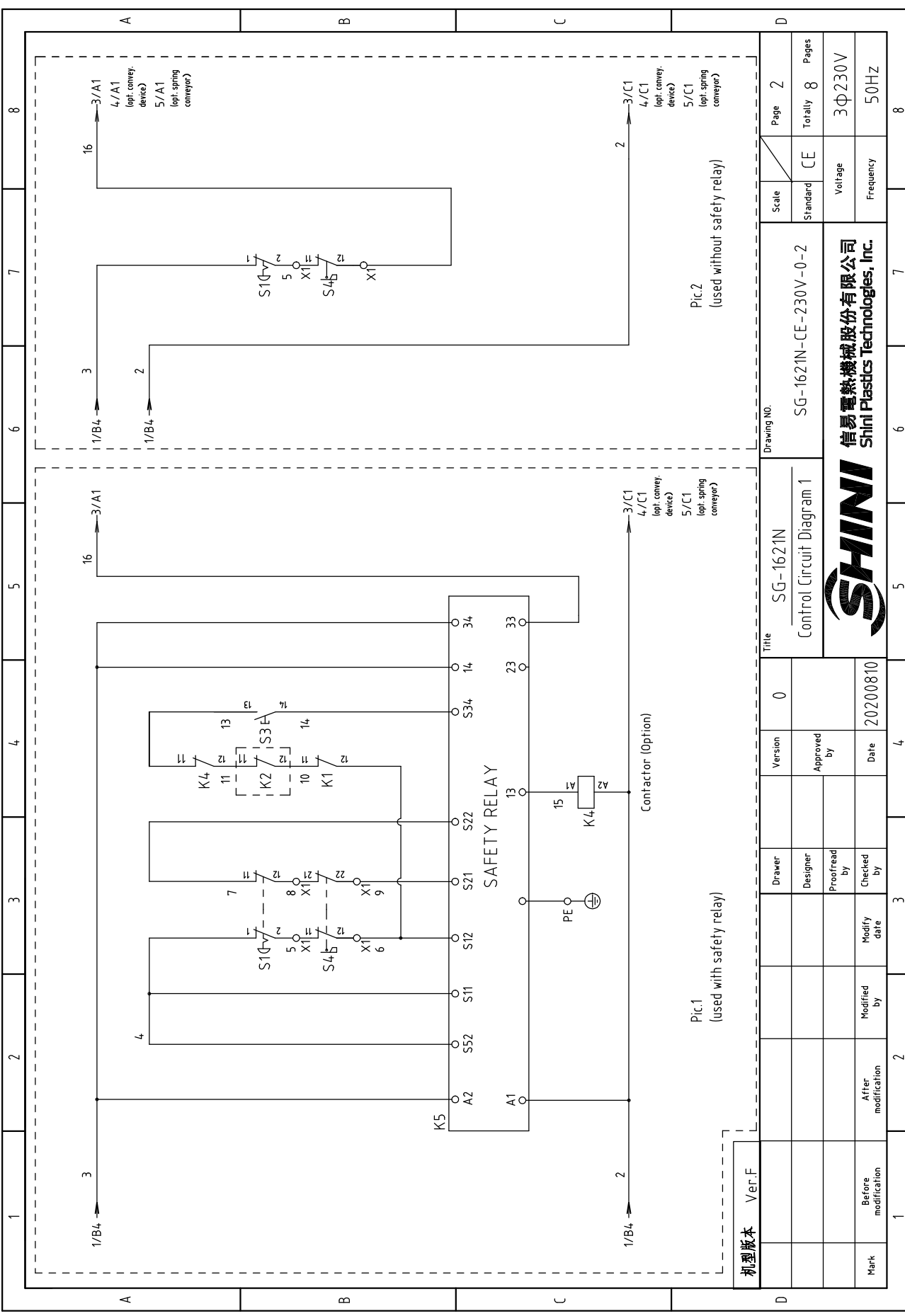


机型版本 Ver.F

Notes: Use F2 thermal overload relay to protect M2 motor with optional spring conveyor.

Version	0	Title	SG-1621N	Scale	Standard	Page	1
Approved by		Main Circuit Diagram		Standard	CE	Totally	8
Checked by		SHINI		Voltage	3φ230V	Frequency	50Hz
Modify date	20200810	信易電熱機械股份有限公司 Shini Plastics Technologies, Inc.					



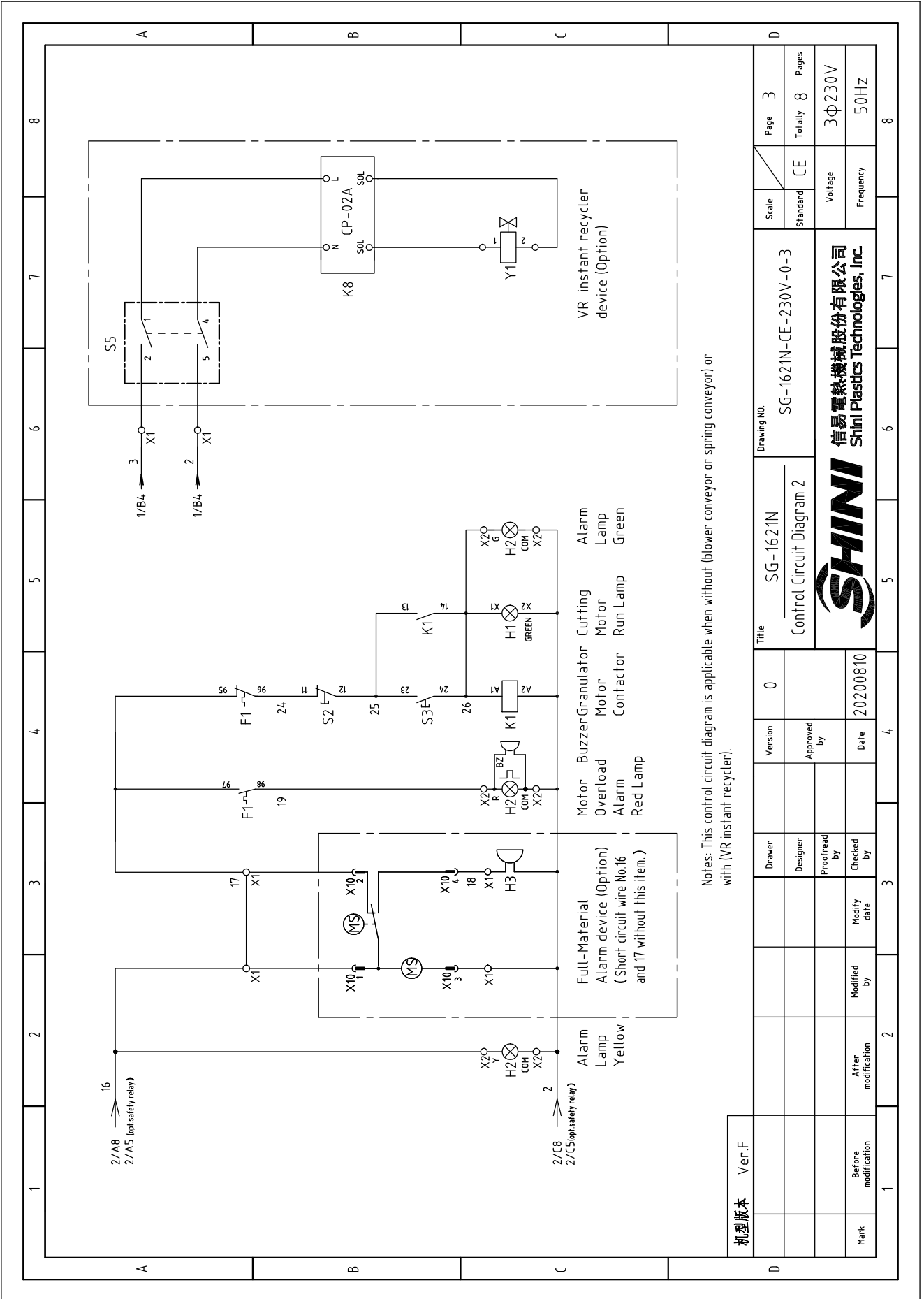
Pic.1
(used with safety relay)

Pic.2
(used without safety relay)

机型版本	Ver.F	Scale		Page	2
		Standard	CE	Totally	8
Mark	Before modification	Title		SG-1621N-CE-230V-0-2	
	After modification	Designer	Proofread by	Control Circuit Diagram 1	
	Modified by	Version	0	Drawing NO.	
	Modify date	Approved by		SG-1621N-CE-230V-0-2	
		Date	20200810	Voltage	
				Frequency	
				3Φ230V	
				50HZ	
				8	

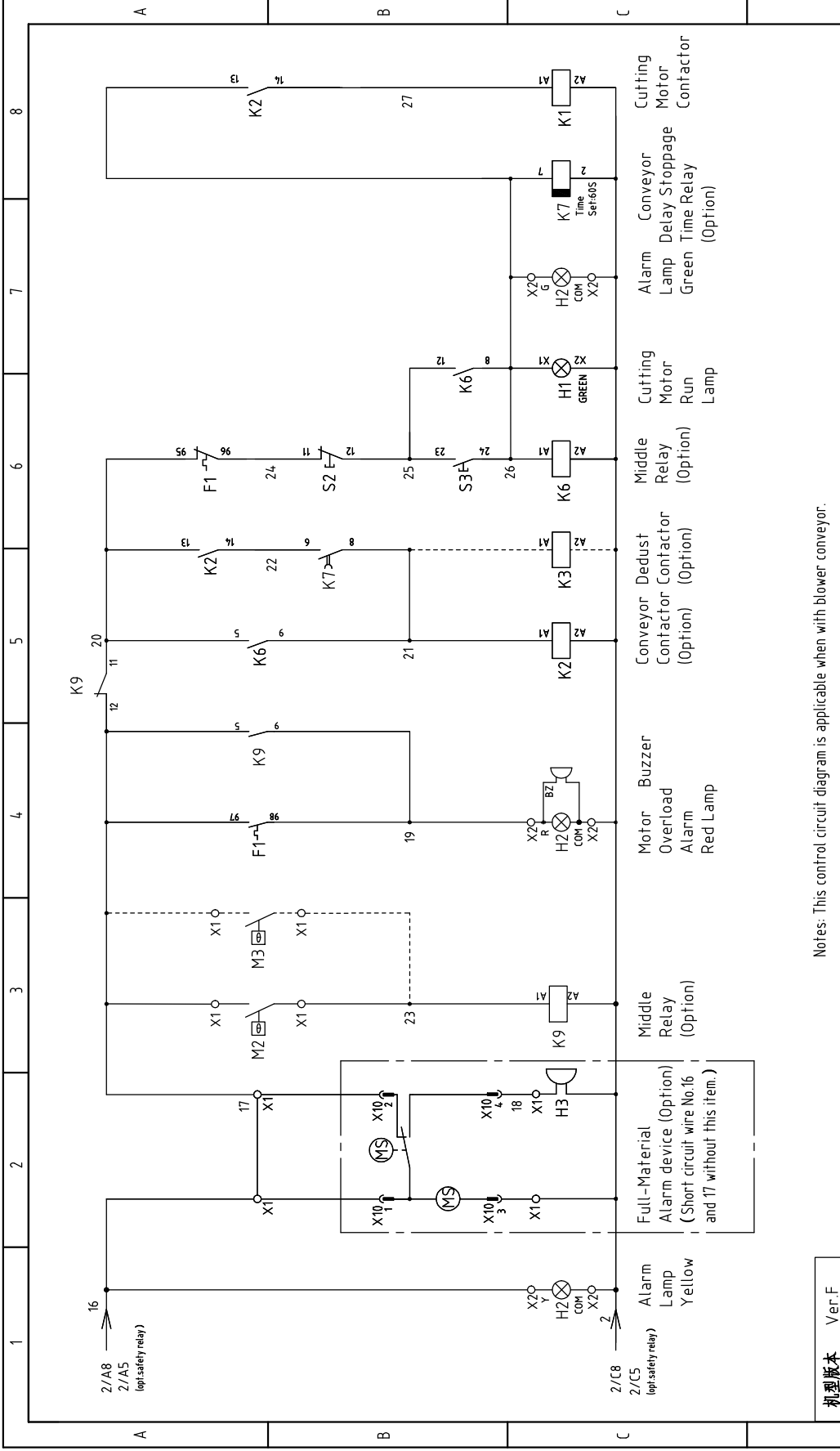
信易電熱機械股份有限公司
Shini Plastics Technologies, Inc.





Notes: This control circuit diagram is applicable when without (blower conveyor or spring conveyor) or with (VR instant recycler).





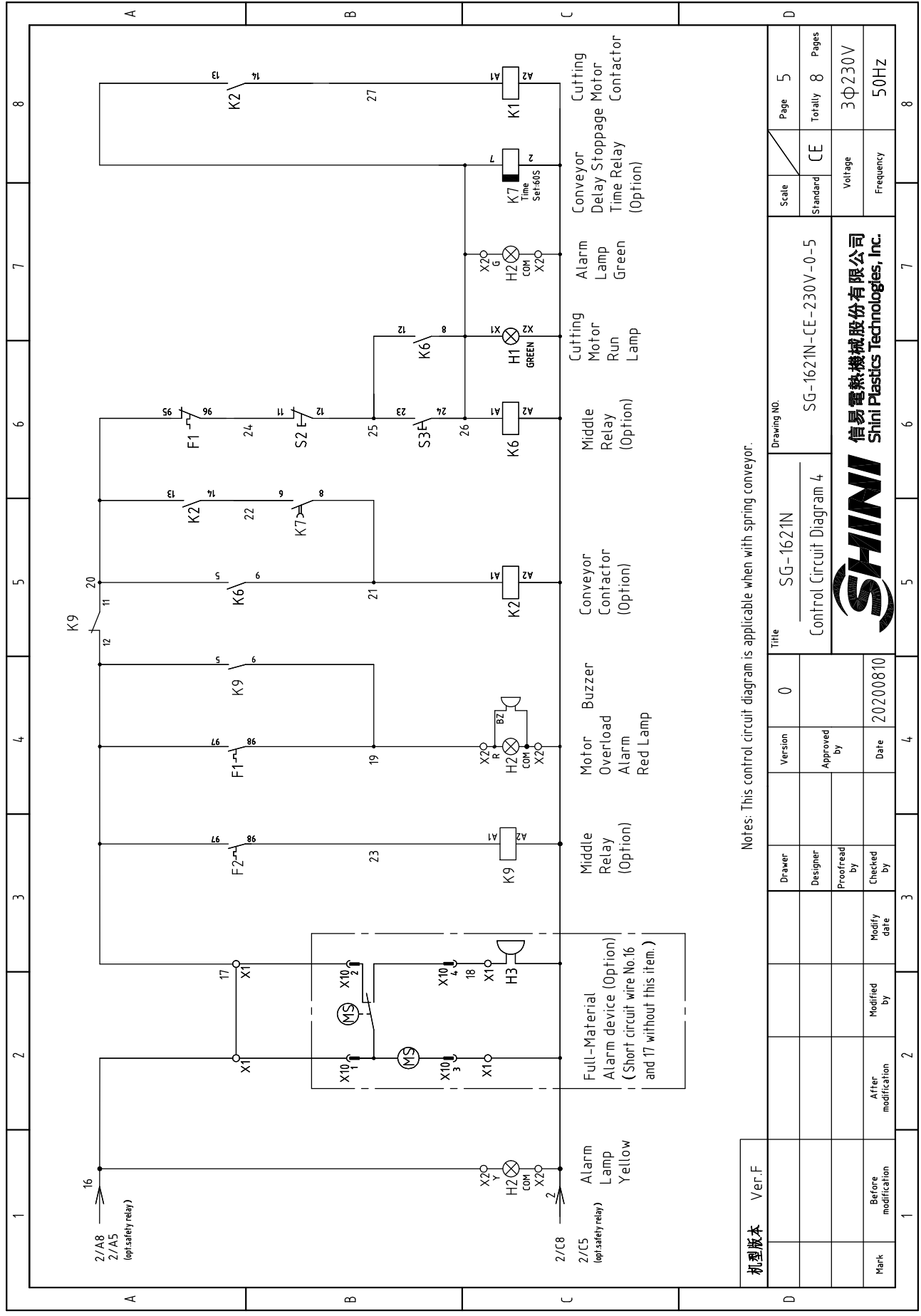
Notes: This control circuit diagram is applicable when with blower conveyor.

机型版本	Ver.F
Mark	Before modification
After modification	
Modified by	
Modify date	
Checked by	
Proofread by	
Designer	
Drawer	

Version	0
Approved by	
Date	20200810
Motor Overload Alarm Red Lamp	
Middle Relay (Option)	
Middle Buzzer	
Conveyor Dedust Contactor (Option)	
Middle Relay (Option)	
Cutting Motor Run Lamp	
Alarm Lamp Green (Option)	
Alarm Lamp Green Time Relay (Option)	
Conveyor Stoppage Time Relay (Option)	
Cutting Motor Contactor	

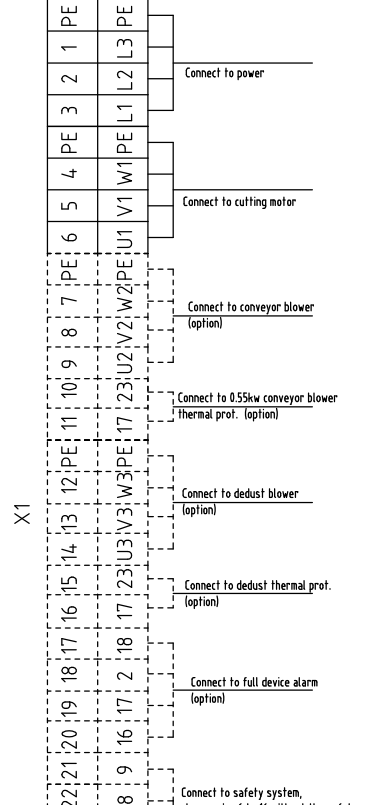
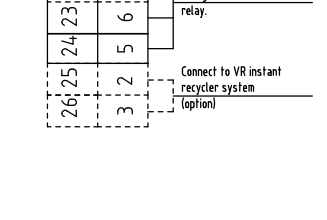
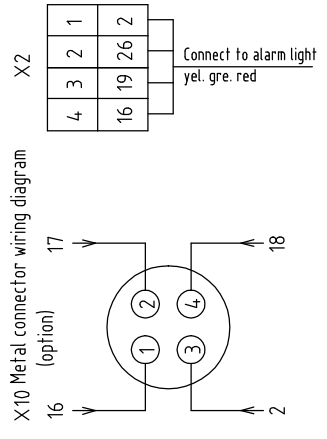
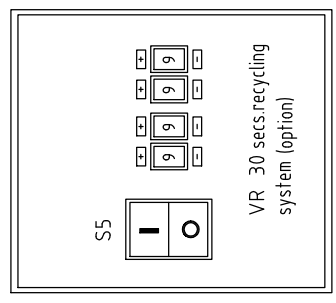
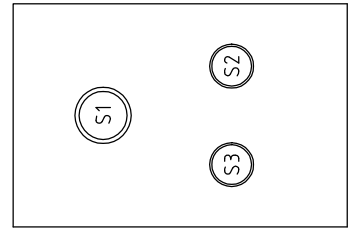
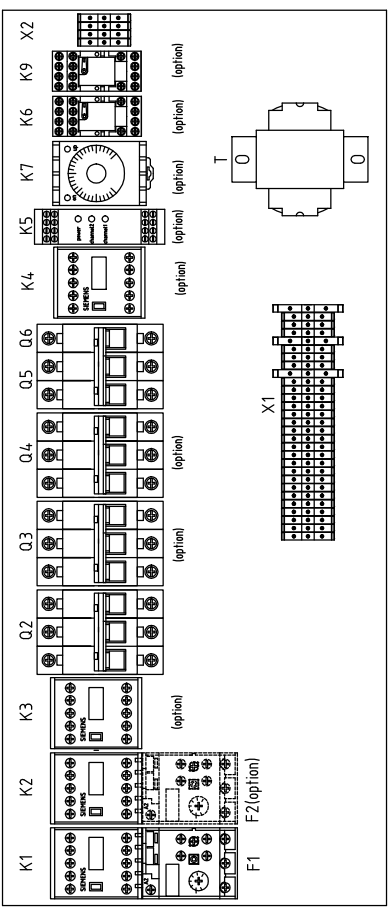
Scale	Standard	Page	4
Standard	CE	Totally	8
Voltage	3Φ230V	Pages	
Frequency	50HZ		
Title		SG-1621N-CE-230V-0-4	
Drawing NO.		Control Circuit Diagram 3	
Title		SG-1621N	
Title		Control Circuit Diagram 3	
Title		Control Circuit Diagram 3	





Notes: This control circuit diagram is applicable when with spring conveyor.

机型版本	Ver.F	Scale	Standard	Page	5
			CE	Totally	8
Title		Drawing NO.		Voltage	
SG-1621N		SG-1621N-CE-230V-0-5		Frequency	
Control Circuit Diagram 4				3Φ230V	
SHINI		信易電熱機械股份有限公司 Shini Plastics Technologies, Inc.		50HZ	
Drawer	Version	Approved by	Date	8	
	0		20200810		
Designer	Checked by	Modified by	Modify date		
Proofread by	After modification	Before modification			
Mark					



机型版本	Ver.F
Mark	Before modification
Modified by	
Modify date	
Checked by	
Proofread by	
Designer	
Drawer	

Version	0
Approved by	
Date	20200810

Title	SG-1621N
Elec. Layout & Terminal Wiring Diagram	
Scale	Standard
Page	6
Totally	8
Pages	3φ230V
Voltage	50HZ
Frequency	

Notes:	Use F2 thermal overload relay to protect M2 motor with optional spring conveyor.
--------	--

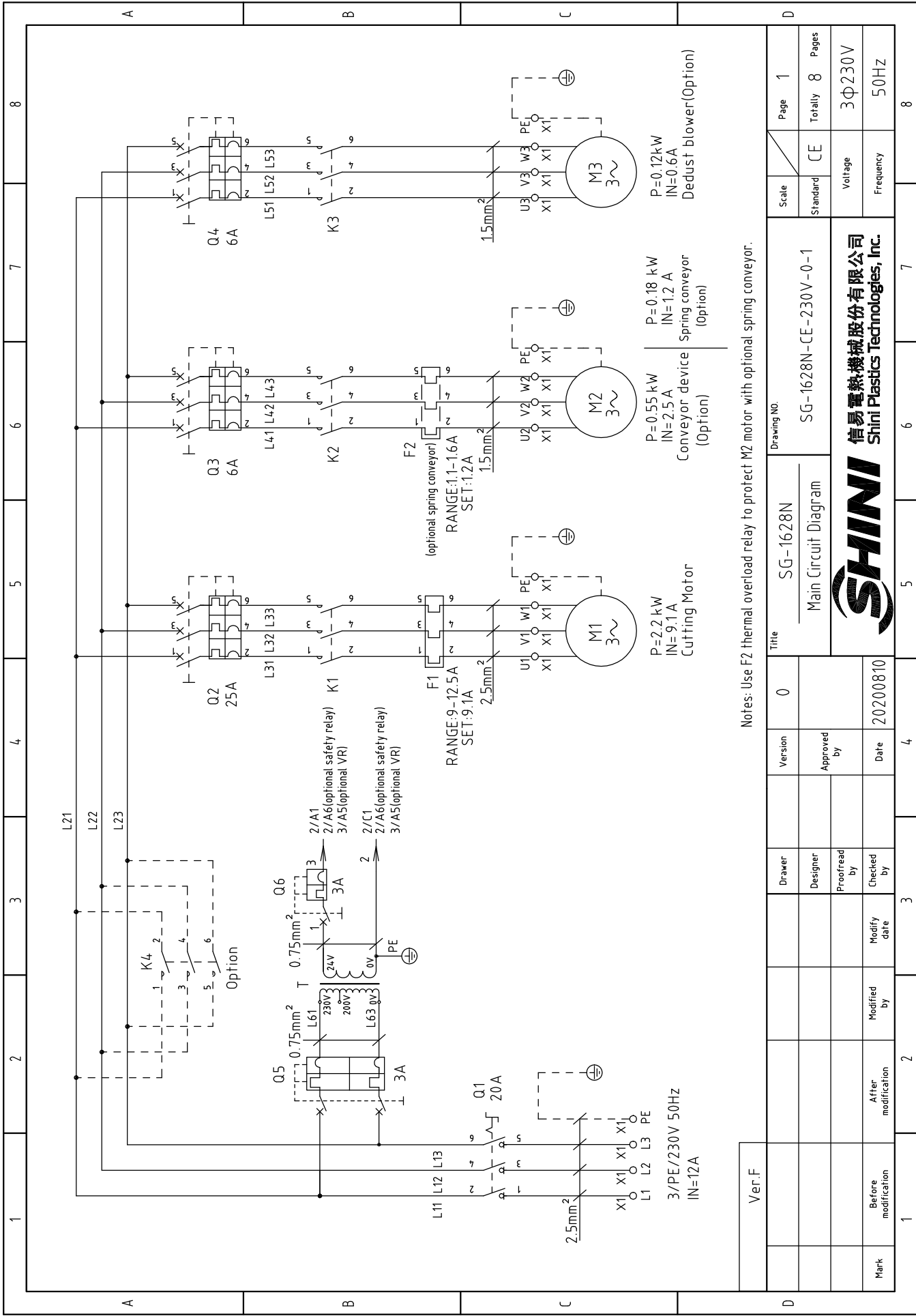
SHINI
 信易電熱機械股份有限公司
 Shini Plastics Technologies, Inc.

1		2		3		4		5		6		7		8	
NO.	Symbol	Name	Manufacturer	Type	Specification	Number	Material number	Remark							
1	Q1	Main switch	EATON	TO-2-1/EA/SVB/20A	20A	1	YE10021160000	(1)							
2	Q2	Circuit-breaker	TECO	BM-63C/3025S	25A	1	YE40302503000								
3	Q3	Circuit-breaker	TECO	BM-63C/3006S	6A	1	YE40300603000	(2)(3)							
4	Q4	Circuit-breaker	TECO	BM-63C/3006S	6A	1	YE40300603000	(6)							
5	Q5	Circuit breaker	TECO	BM-63C/2003S 2P	3A	1	YE40200203000								
6	Q6	Circuit breaker	TECO	BM-63C/1003S 1P	3A	1	YE40100203000								
7	K1	Contacto	SIEMENS	3RT6017-1AB01	24VAC 50/60Hz	1	YE00601702500								
8		Auxiliary contact terminal	SIEMENS	3RH6911-1HA11	1NC+1NO	1	YE00691100100	(5)							
9	K2	Contacto	SIEMENS	3RT6015-1AB01	24VAC 50/60Hz	1	YE00601502500	(2)(3)							
10		Auxiliary contact terminal	SIEMENS	3RH6911-1HA11	1NC+1NO	1	YE00691100100	(2)(3)							
11	K3	Contacto	SIEMENS	3RT6015-1AB01	24VAC 50/60Hz	1	YE00601502500	(6)							
12	K4	Contacto	SIEMENS	3RT6018-1AB02	24VAC 50/60Hz	1	YE00601802600	(5)							
13	K5	Safety relay	PILZ	PN0Z_X2.8P	24VAC/DC	1	YE04023000000	(5)							
14	K6	Middle relay	Honeywell	GR-2C-AC24V	24VAC	1	YE03022400300	(2)(3)							
15	K7	Time relay	YUYUN	TRF-N/3M	24VAC	1	YE86032400000	(2)(3)							
16	K8	VR Time Dialer	YUYUN	CP-02A	24VAC	1	YE80999900600	(7)							
17	K9	Middle relay	Honeywell	GR-2C-AC24V	24VAC	1	YE03022400300	(2)(3)(6)							
18	F1	Thermal overload relay	SIEMENS	3RU6116-1KB0	9-12.5A	1	YE01169125000								
19	F2	Thermal overload relay	SIEMENS	3RU6116-1AB0	1.1-1.6A	1	YE01160110000	(3)							
20	T	Mutual transformer	BAIYUN	IN=230/200V OUT=24VAC	120VA	1	YE70023004500								
21	X1	Terminal board	HONEYWELL	SK2.5	2.5mm ²	8	YE60002503200								
22			HONEYWELL	GK2.5PE	2.5mm ² PE	2	YE60002503400								
23			HONEYWELL	SK2.5	2.5mm ²	5	YE60002503200	(2)							
24			HONEYWELL	GK2.5PE	2.5mm ² PE	1	YE60002503400	(2)(3)							
25			HONEYWELL	SK2.5	2.5mm ²	4	YE60002503200	(4)							
机型版本 Ver.F Notes:(1)Materials not in the control box;(2)Conveying blower assembly;(3)Screw spring conveyor;(4)Full mat. alarm assembly;(5)Safety relay option;(6)Dedust blower assembly;(7)VR air recycler assembly.															
D		Title		Drawing NO.		Scale		Page		7		8		8	
		SG-1621N		Elec. Parts List 1		SG-1621N-CE-230V-0-7		CE		Voltage		3Φ230V		Frequency	
		Version		Approved by		Date		20200810							
Mark		Before modification		After modification		Modified by		Modified date							
1		2		3		4		5		6		7		8	



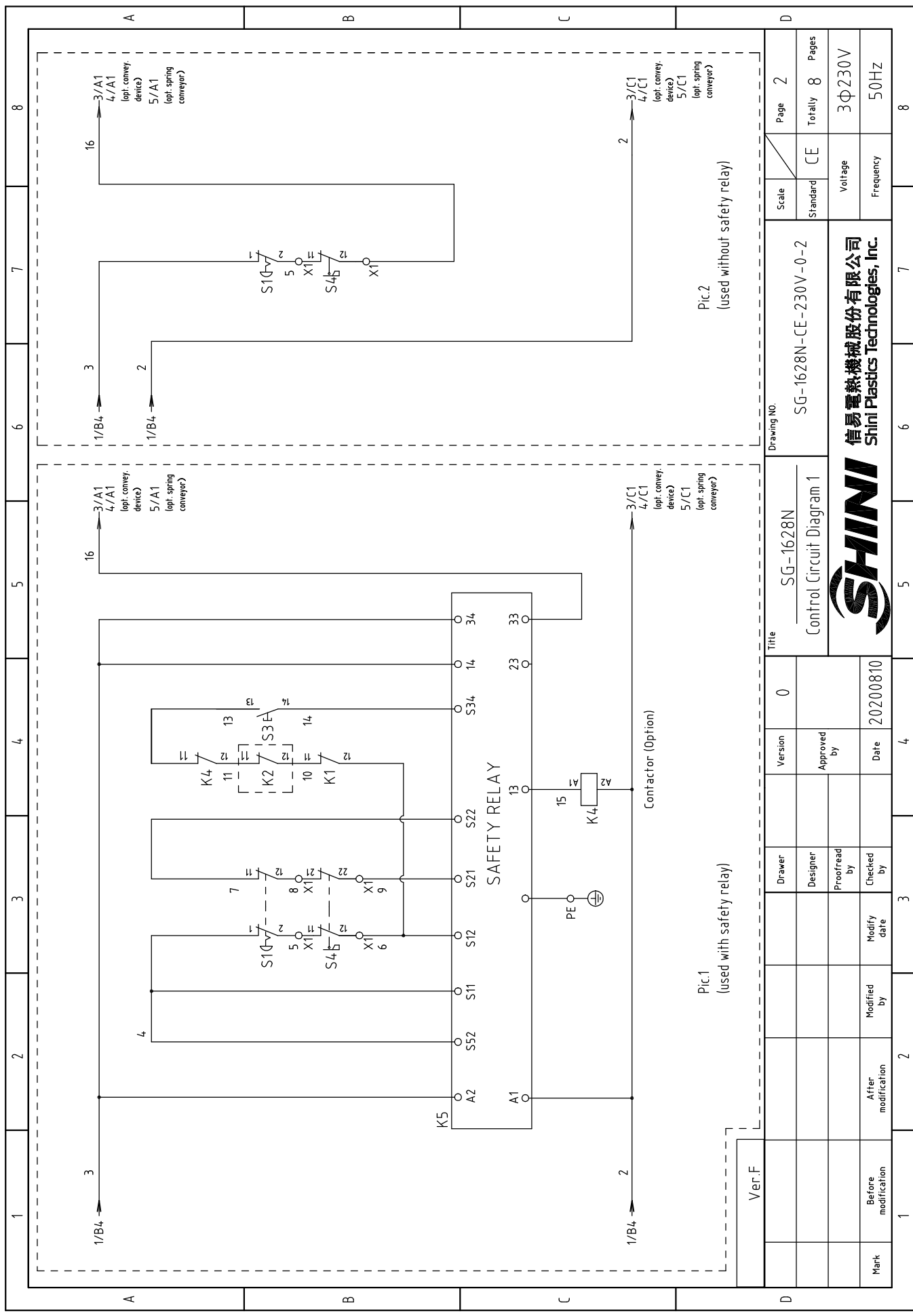
1	2		3	4	5	6		7	8	
NO.	Symbol	Name	Manufacturer	Type	Specification	Number	Material number	Remark		
26			HONEYWELL	SK2.5	2.5mm ²	2	YE60002503200	(5)		
27			HONEYWELL	SK2.5	2.5mm ²	5	YE60002503200	(6)		
28			HONEYWELL	GK2.5PE	2.5mm ² PE	1	YE60002503400	(6)		
29			HONEYWELL	SK2.5	2.5mm ²	2	YE60002503200	(7)		
30	X2	Terminal board	HONEYWELL	SK2.5	2.5mm ²	4	YE60002503200			
31	X10	Metal connector	SHINI	PLT-254-PM male	4P	1	YE68025400000	(1)(4)		
32			SHINI	PLT-254-RF female	4P	1	YE68025400100	(1)(4)		
33	S1	Emergency stop button	SCHNEIDER	XB2BS542C	400VAC	1	YE11254200000	(1)		
34		Contact block	SCHNEIDER	ZB2BE102C	1NC	1	YE00210203100	(1)(5)		
35	S2	Stop button	SCHNEIDER	XB2BA22C	400VAC	1	YE11222000000	(1)		
36	S3,H1	Start button (with light)	SCHNEIDER	XB2BW33B1C	24VAC/DC	1	YE11233100000	(1)		
37		Contact block	SCHNEIDER	ZB2BE101C	1NO	1	YE00210103100	(1)(5)		
38	S4	Safety switch	SCHMERSRC	AZ-17-11ZK	AC-17	1	YE16171100000	(1)		
39	S4	Safety switch	SCHMERSAL	AZ16-02ZVRK-M16-1476-1	250V 3A	1	YE16147600000	(1)(5)		
40		Operating moving parts	SCHMERSRC	AZ17-B6	AC-17	1	YE16176000000	(1)		
41	S5	Safety switch	----	R11-8/4P	24VAC/DC	1	YE10118400000	(7)		
42	H2	Alarm lamp	SHINI	Red gre. yel.+buzzer	24VAC	1	BL90002401520	(1)		
43	H3	Buzzer	TEND	EA-2	24VAC	1	YE84240200000	(1)(4)		
44	MS	Level sensor	SIPAI	ST-80	24VAC	1	YE15802400100	(1)(4)		
45	M1	Granulating motor	WEG	2.2kW	230V 50/60Hz	1	----	(1)		
46	M2	Conveying blower	SHINI	0.55kW	230V 50/60Hz	1	----	(1)(2)		
47	M2	Spring conveyor	SHINI	0.18kW	230V 50/60Hz	1	----	(1)(3)		
48	M3	Dedust blower	SHINI	0.12kW	230V 50/60Hz	1	----	(1)(6)		
49		Terminal fittings E/GK series	HONEYWELL	----	----	4	YE60000003900			
机型版本 Ver.F										
Notes:(1)Materials not in the control box;(2)Conveying blower assembly;(3)Screw spring conveyor;(4)Full mat. alarm assembly;(5)Safety relay option;(6)Dedust blower assembly;(7)VR air recycler assembly.										
			Drawer	Version	Title	Drawing NO.		Scale	Page	8
			Designer	0	SG-1621N	SG-1621N-CE-230V-0-8		Standard	Totally	8
			Proofread by	Approved by	Elec. Parts List 2		CE	Pages		
			Checked by	Date			Voltage	3Φ230V		
			Modify date	20200810			Frequency	50Hz		
Mark	Before modification	After modification								
1	2	3	4	5	6	7			8	





Ver.F	0	SG-16Z8N	SG-16Z8N-CE-230V-0-1	Page 1
Drawer	Designer	Proofread by	Checked by	Scale
Modified by	Modify date	Approved by	Date	Standard
After modification	Modified by	Approved by	Date	CE
Before modification	Modify date	Approved by	Date	Voltage
Mark	20200810	20200810	20200810	Frequency
				3 ϕ 230V
				50Hz
				Totally 8 Pages
				Page 1

SHINI
 信易電熱機械股份有限公司
 Shini Plastics Technologies, Inc.



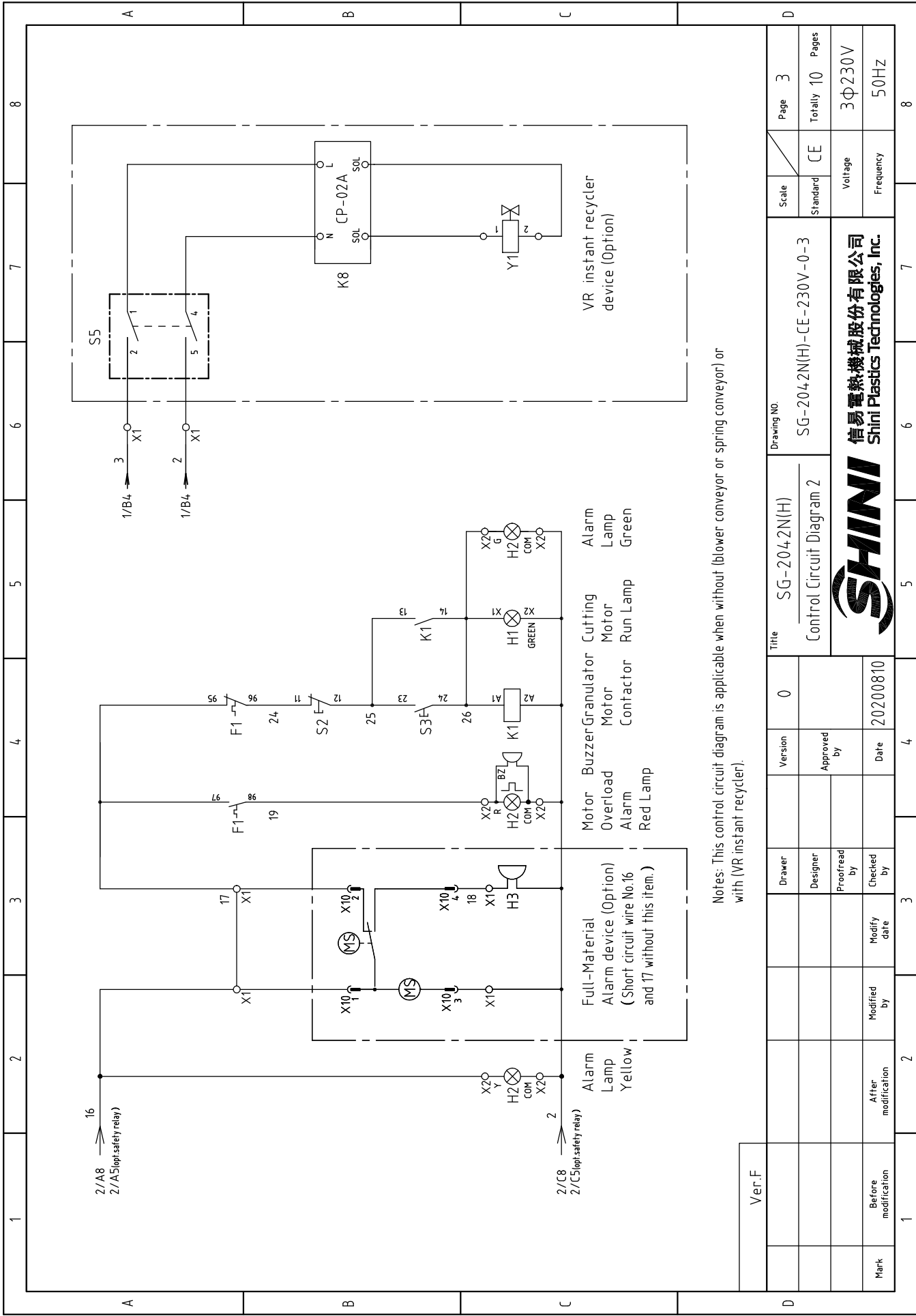
Pic.1
(used with safety relay)

Pic.2
(used without safety relay)


Ver.F	Title		SG-1628N		Drawing NO.		SG-1628N-CE-230V-0-2		Scale	Page
	Control Circuit Diagram 1		0		0		2		Standard	Totally
Mark		Before modification	Modified by	Modify date	Proofread by	Checked by	Approved by	Date	Voltage	
Mark		After modification	Modified by	Modify date	Proofread by	Checked by	Approved by	Date	Frequency	
Mark		20200810	20200810	20200810	20200810	20200810	20200810	20200810	3Φ230V	
Mark									50HZ	

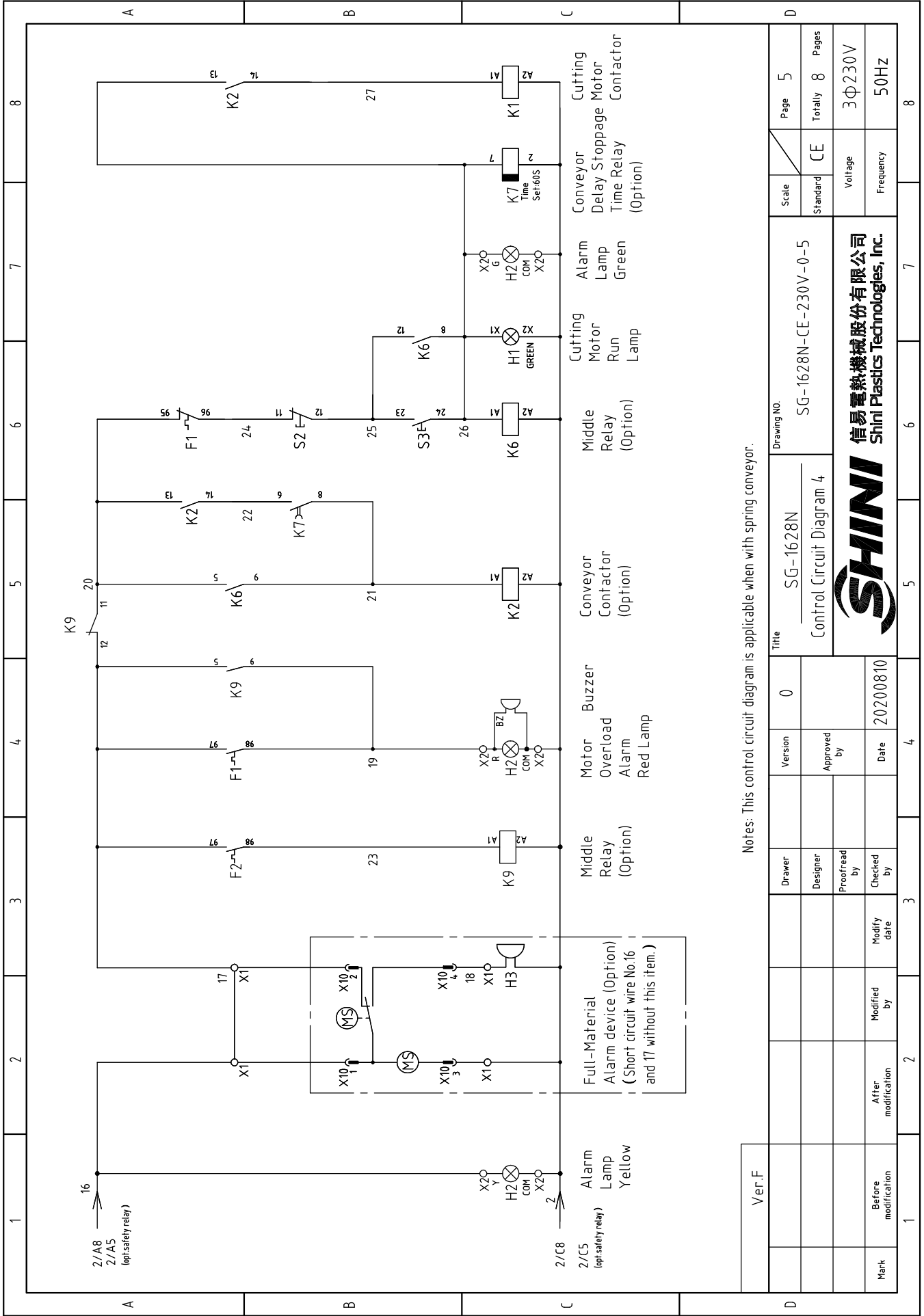


信易電熱機械股份有限公司
Shini Plastics Technologies, Inc.



Notes: This control circuit diagram is applicable when without (blower conveyor or spring conveyor) or with (VR instant recycler).

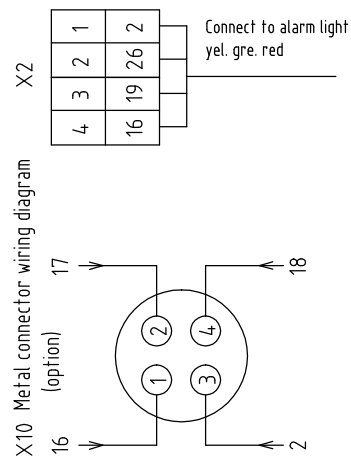
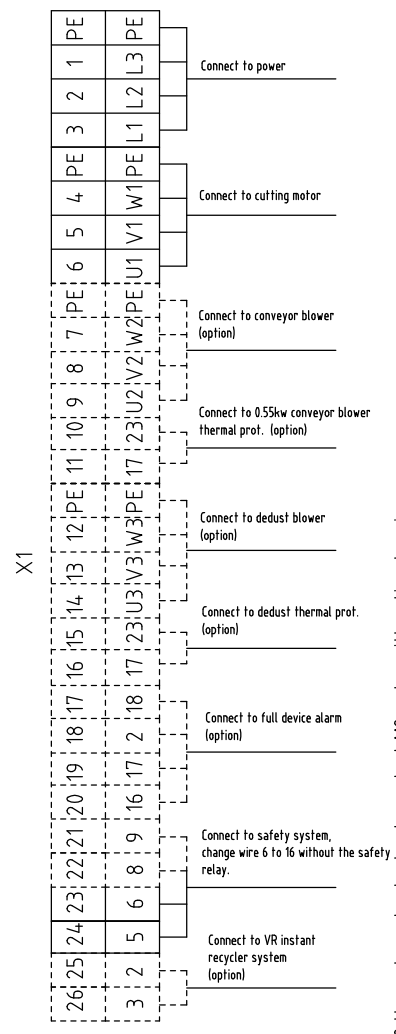
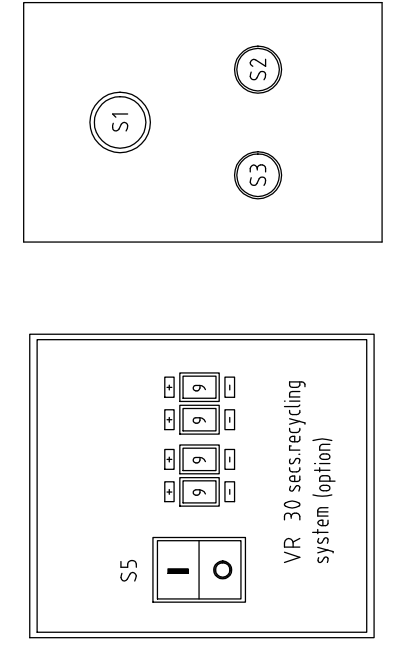
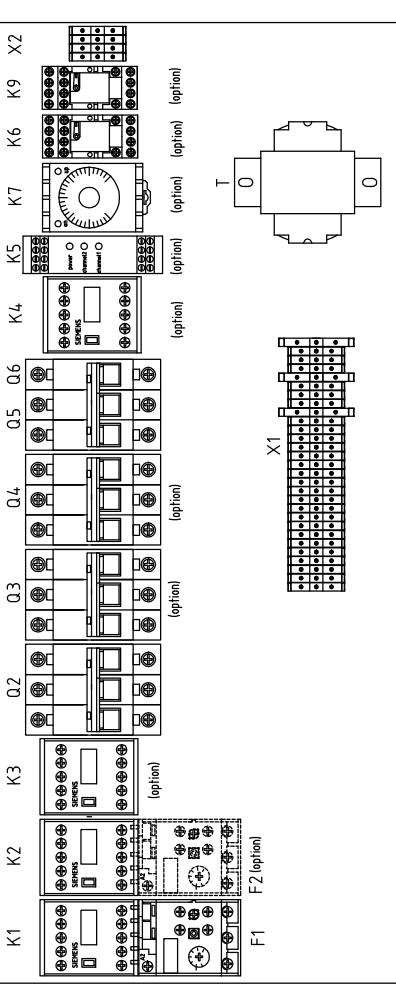
Ver.F	Scale	Page	3
	Standard	Totally	10
Mark	Voltage	3Φ230V	
	Frequency	50Hz	
Before modification	Modified by	Modify date	
After modification	Approved by	Date	20200810
Drawer	Version	Title	SG-204.2N(H)
Designer	0	Control Circuit Diagram 2	SG-204.2N(H)-CE-230V-0-3
Proofread by	Approved by	 信易電熱機械股份有限公司 Shini Plastics Technologies, Inc.	



Notes: This control circuit diagram is applicable when with spring conveyor.

Ver.F		Title		Drawing NO.		Page	
		SG-1628N		SG-1628N-CE-230V-0-5		5	
		Control Circuit Diagram 4				CE	
						Voltage	
						Frequency	
						3Φ230V	
						50HZ	
						Totally 8	
						Pages	
						8	
Mark		Before modification		Modified by		Modify date	
After modification							
Date		Approved by		Version		0	
20200810							
Date		Approved by		Version		0	
Checked by		Proofread by		Designer		Drawer	
Checked by		Proofread by		Designer		Drawer	





Notes: Use F2 thermal overload relay to protect M2 motor with optional spring conveyor.

Ver.F	Title		Drawing NO		Scale	Page
	SG-1628N		SG-1628N-CE-230V-0-6		Standard	6
Elec. Layout & Terminal Wiring Diagram		Approved by		Voltage		Totally
Date		Checked by		3 ϕ 230V		8
Mark	Before modification	Modified by	Modify Date	Frequency		50Hz



1		2		3		4		5		6		7		8	
NO.	Symbol	Name	Manufacturer	Type	Specification	Number	Material number	Remark							
1	Q1	Main power switch	EATON	TO-2-1/EA/SVB/20A	20A	1	YE10021160000	(1)							
2	Q2	Circuit-breaker	TECO	BM-63C/3025S	25A	1	YE40302503000								
3	Q3	Circuit-breaker	TECO	BM-63C/3006S	6A	1	YE40300603000	(2)(3)							
4	Q4	Circuit-breaker	TECO	BM-63C/3006S	6A	1	YE40300603000	(6)							
5	Q5	Circuit-breaker	TECO	BM-63C/2003S 2P	3A	1	YE40200203000								
6	Q6	Circuit-breaker	TECO	BM-63C/1003S 1P	3A	1	YE40100203000								
7	K1	Contactor	SIEMENS	3RT16017-1AB01	24VAC 50/60Hz	1	YE00601702500								
8		Auxiliary contact terminal	SIEMENS	3RH6911-1HA11	1NC+1NO	1	YE00691100100	(5)							
9	K2	Contactor	SIEMENS	3RT16015-1AB01	24VAC 50/60Hz	1	YE00601502500	(2)(3)							
10		Auxiliary contact terminal	SIEMENS	3RH6911-1HA11	1NC+1NO	1	YE00691100100	(2)(3)							
11	K3	Contactor	SIEMENS	3RT16015-1AB01	24VAC 50/60Hz	1	YE00601502500	(6)							
12	K4	Contactor	SIEMENS	3RT16018-1AB02	24VAC 50/60Hz	1	YE00601802600	(5)							
13	K5	Safety relay	PILZ	PN0Z X2.8P	24VAC/DC	1	YE04023000000	(5)							
14	K6	Middle relay	Honeywell	GR-2C-AC24V	24VAC	1	YE030224-00300	(2)(3)							
15	K7	Time relay	YUYUN	TRF-N/3M	24VAC	1	YE860324-00000	(2)(3)							
16	K8	VR Time Dialer	YUYUN	CP-02A	24VAC	1	YE80999900600	(7)							
17	K9	Middle relay	Honeywell	GR-2C-AC24V	24VAC	1	YE030224-00300	(2)(3)(6)							
18	F1	Thermal overload relay	SIEMENS	3RU6116-1KB0	9-12.5A	1	YE01169125000								
19	F2	Thermal overload relay	SIEMENS	3RU6116-1AB0	1.1-1.6A	1	YE01160110000	(3)							
20	T	Mutual transformer	BAIYUN	IN=230/200V OUT=24VAC	120VA	1	YE70023004500								
21	X1	Terminal board	HONEYWELL	SK2.5	2.5mm ²	8	YE60002503200								
22			HONEYWELL	GK2.5PE	2.5mm ² PE	2	YE60002503400								
23			HONEYWELL	SK2.5	2.5mm ²	5	YE60002503200	(2)							
24			HONEYWELL	GK2.5PE	2.5mm ² PE	1	YE60002503400	(2)(3)							
25			HONEYWELL	SK2.5	2.5mm ²	4	YE60002503200	(4)							
Notes:(1)Materials not in the control box.(2)Conveying blower assembly.(3)Screw spring conveyor.(4)Full mat. alarm assembly.(5)Safety relay option.(6)Dedust blower assembly.(7)VR air recycler assembly.															
Ver.F		Title		Drawing NO.		Scale		Page		Standard		CE		Page	
		SG-1628N Elec. Parts List 1		SG-1628N-CE-230V-0-7		CE		7		CE		Totally 8		Pages	
Mark		Before modification		Modified by		Modify date		Voltage		Frequency		3φ230V		50Hz	
1		2		3		4		5		6		7		8	

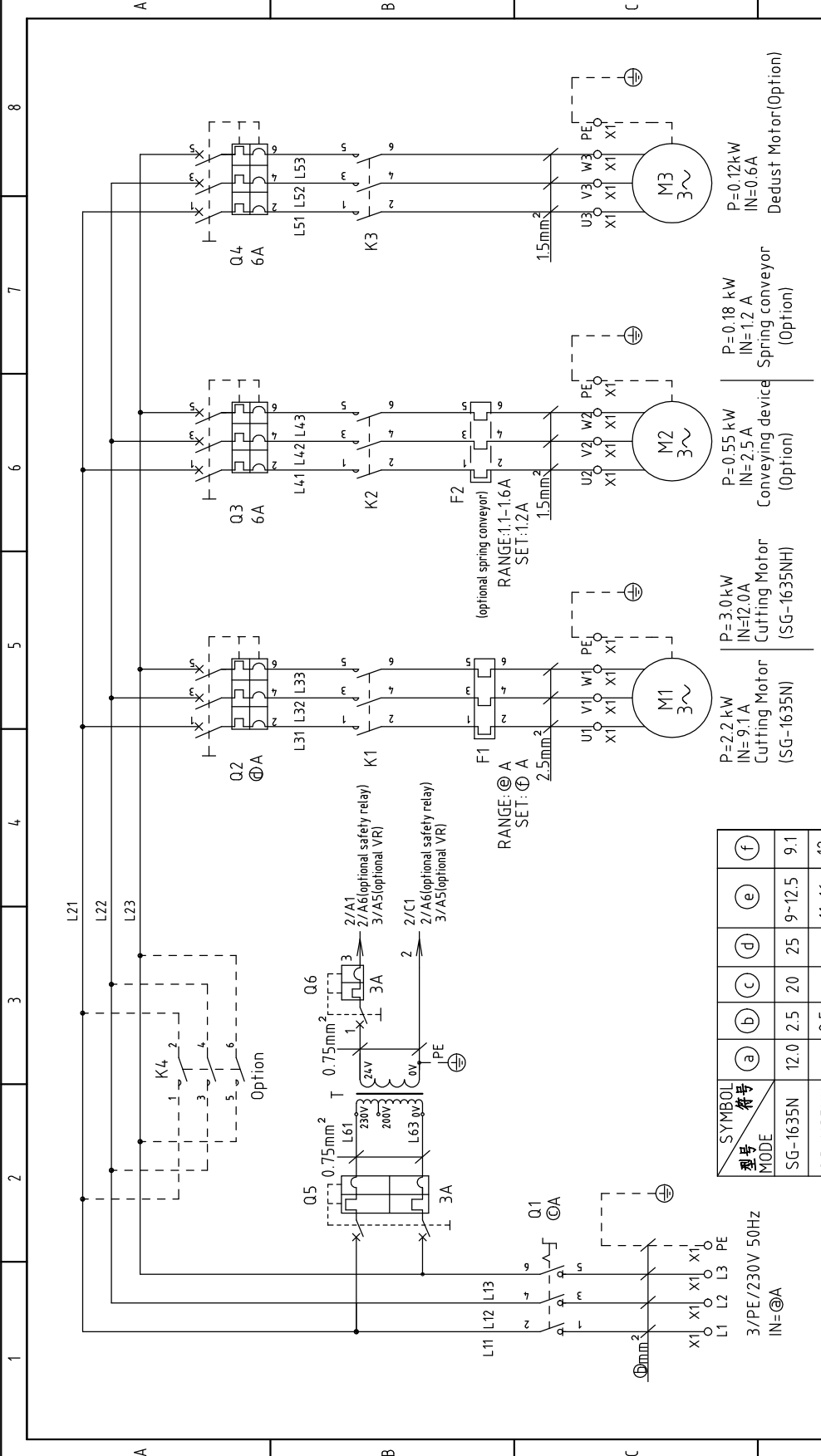


信易電熱機械股份有限公司
Shini Plastics Technologies, Inc.

1	2		3	4	5	6	7	8
NO.	Symbol	Name	Manufacturer	Type	Specification	Number	Material number	Remark
26			HONEYWELL	SK2.5	2.5mm ²	2	YE60002503200	(5)
27			HONEYWELL	SK2.5	2.5mm ²	5	YE60002503200	(6)
28			HONEYWELL	GK2.5PE	2.5mm ² PE	1	YE60002503400	(6)
29			HONEYWELL	SK2.5	2.5mm ²	2	YE60002503200	(7)
30	X2	Terminal board	HONEYWELL	SK2.5	2.5mm ²	4	YE60002503200	
31	X10	Metal connector	SHINI	PLT-254-PM 公	4P	1	YE68025400000	(1)(4)
32			SHINI	PLT-254-RF 母	4P	1	YE68025400100	(1)(4)
33	S1	Emergency stop button	SCHNEIDER	XB2BS542C	400VAC	1	YE11254200000	(1)
34		Contact block	SCHNEIDER	ZB2BE102C	1NC	1	YE00210203100	(1)(5)
35	S2	Stop button	SCHNEIDER	XB2BA22C	400VAC	1	YE11222000000	(1)
36	S3,H1	Start button (with light)	SCHNEIDER	XB2BW33B1C	24VAC/DC	1	YE11233100000	(1)
37		Contact block	SCHNEIDER	ZB2BE101C	1NO	1	YE00210103100	(1)(5)
38	S4	Safety switch	SCHMERSRC	AZ-17-11ZK	AC-17	1	YE16171100000	(1)
39	S4	Safety switch	SCHMERSAL	AZ16-02ZVRK-M16-14,76-1	250V 3A	1	YE16147600000	(1)(5)
40		Operating moving parts	SCHMERSRC	AZ17-B6	AC-17	1	YE16176000000	(1)
41	S5	Alternative switch	----	R11-8/4P	24VAC/DC 显峰	1	YE10118400000	(7)
42	H2	Three-color alarm lamp	SHINI	紅綠黃优先顺序+蜂鸣器	24VAC	1	BL90002401520	(1)
43	H3	Buzzer	TEND	EA-2	24VAC	1	YE84240200000	(1)(4)
44	MS	Material level switch	SIPAI	ST-80	24VAC	1	YE15802400100	(1)(4)
45	M1	Granulating Motor	WEG	2.2kW	230V 50/60Hz	1	----	(1)
46	M2	Conveying blower	SHINI	0.55kW	230V 50/60Hz	1	----	(1)(2)
47	M2	Spring Conveyor	SHINI	0.18kW	230V 50/60Hz	1	----	(1)(3)
48	M3	Dust Blower	SHINI	0.12kW	230V 50/60Hz	1	----	(1)(6)
49		Terminal fittings E/GK series	HONEYWELL	----	----	4	YE600000003900	
Notes:(1)Materials not in the control box;(2)Conveying blower assembly;(3)Screw spring conveyor;(4)Full mat. alarm assembly;(5)Safety relay option;(6)Dedust blower assembly;(7)VR air recycler assembly.								
Ver.F			Title		Drawing NO.		Page	
			SG-1628N		SG-1628N-CE-230V-0-8		8	
			Elec. Parts List 2				CE	
							Voltage	
							Frequency	
							3φ230V	
							50Hz	
							8	
Mark			Before modification		Modified by		Modify date	
							20200810	
			Approved by		Date			
			Checked by		Date			
			Proofread by		Date			
			Designer		Date			
			Drawer		Version			
					0			



信易电热机械股份有限公司
Shini Plastics Technologies, Inc.

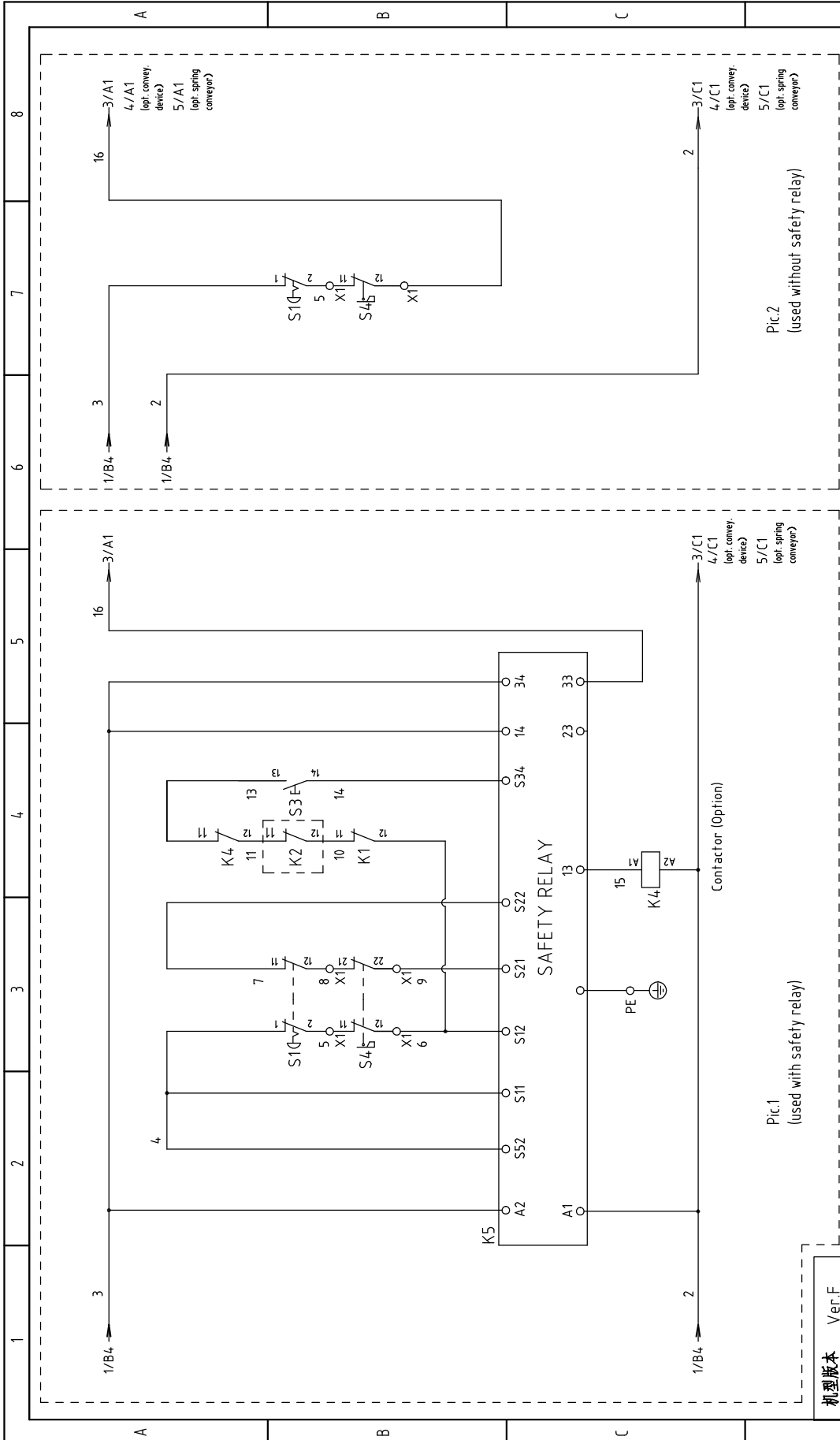


机 型 版 本	Ver.F
Rank	Before modification
Modified by	Modify date
Checked by	20200810
Proofread by	Date
Designer	Approved by
Drawer	Version
0	SG-1635N(H)
Title	SG-1635N(H)-CE-230V-0-1
Scale	CE
Page	1
Standard	Totally
10	Pages
Voltage	3Φ230V
Frequency	50Hz

Notes: Use F2 thermal overload relay to protect M2 motor with optional spring conveyor.

SYMBOL	符号	(a)	(b)	(c)	(d)	(e)	(f)
型号	MODE	12.0	2.5	20	25	9~12.5	9.1
SG-1635N		15.0	2.5	25	32	11~16	12

信易电热机械股份有限公司
Shini Plastics Technologies, Inc.



Pic.1
(used with safety relay)

Pic.2
(used without safety relay)

机型版本	Ver.F
Mark	Before modification
	Modified by
	Modify date
	Checked by
	Proofread by
	Designer
	Drawer

Version	0
Approved by	
Date	20200810

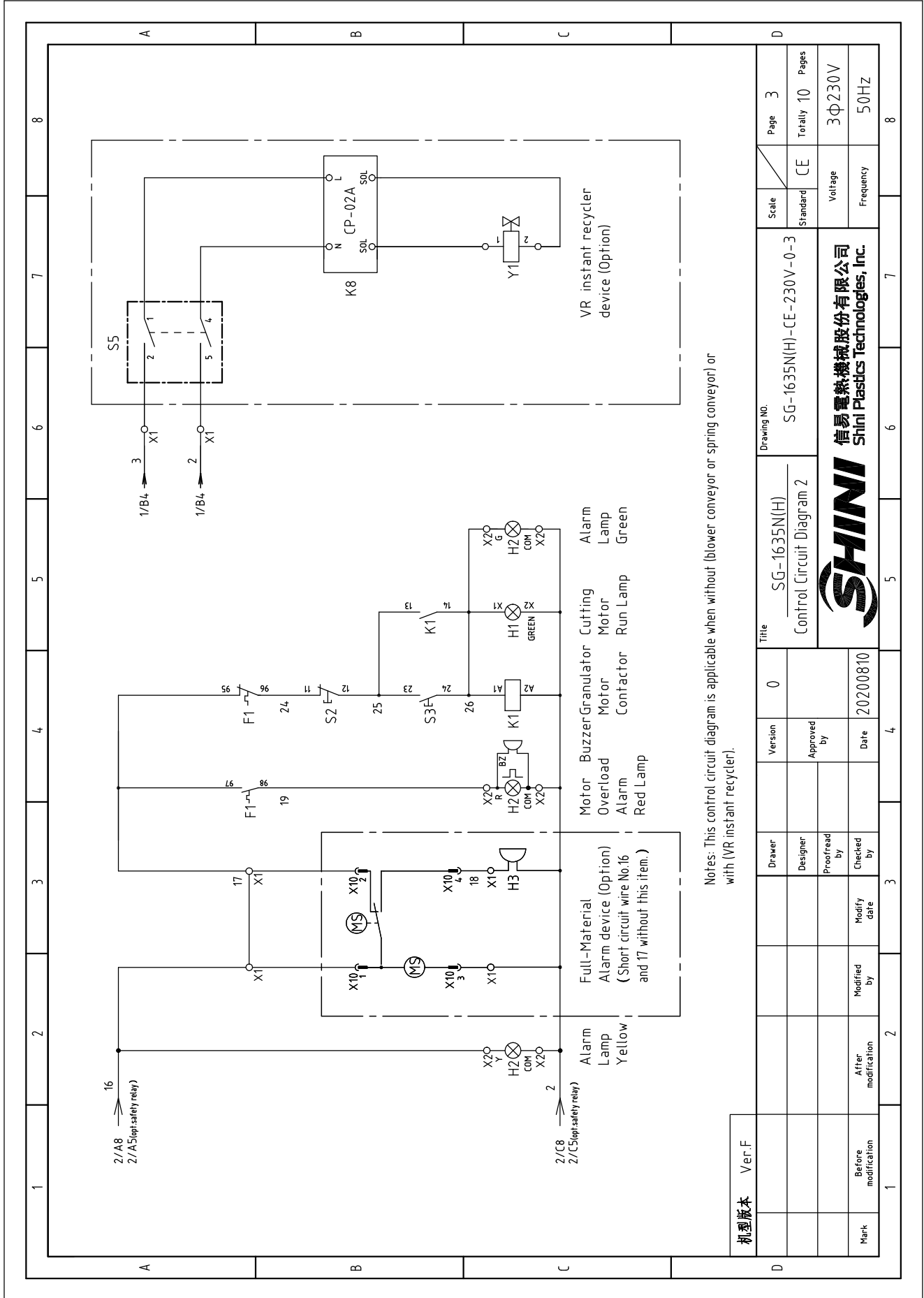
Title
SG-1635N(H)
Control Circuit Diagram 1

Drawing NO.
SG-1635N(H)-CE-230V-0-2

Scale	Page 2
Standard	Totally 10
Voltage	3Φ230V
Frequency	50HZ


信易電熱機械股份有限公司
Shini Plastics Technologies, Inc.

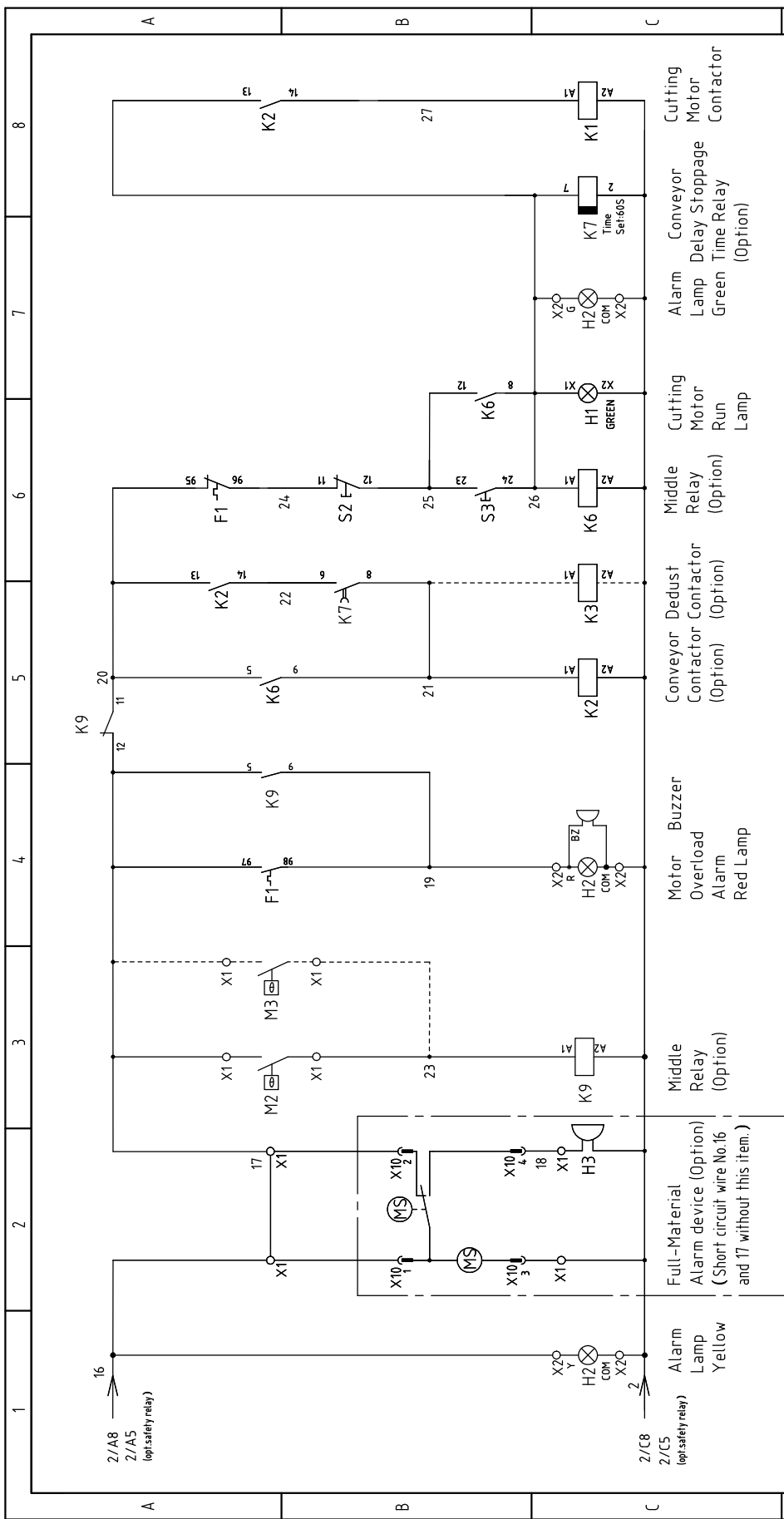




Notes: This control circuit diagram is applicable when without (blower conveyor or spring conveyor) or with (VR instant recycler).

机型版本 Ver.F

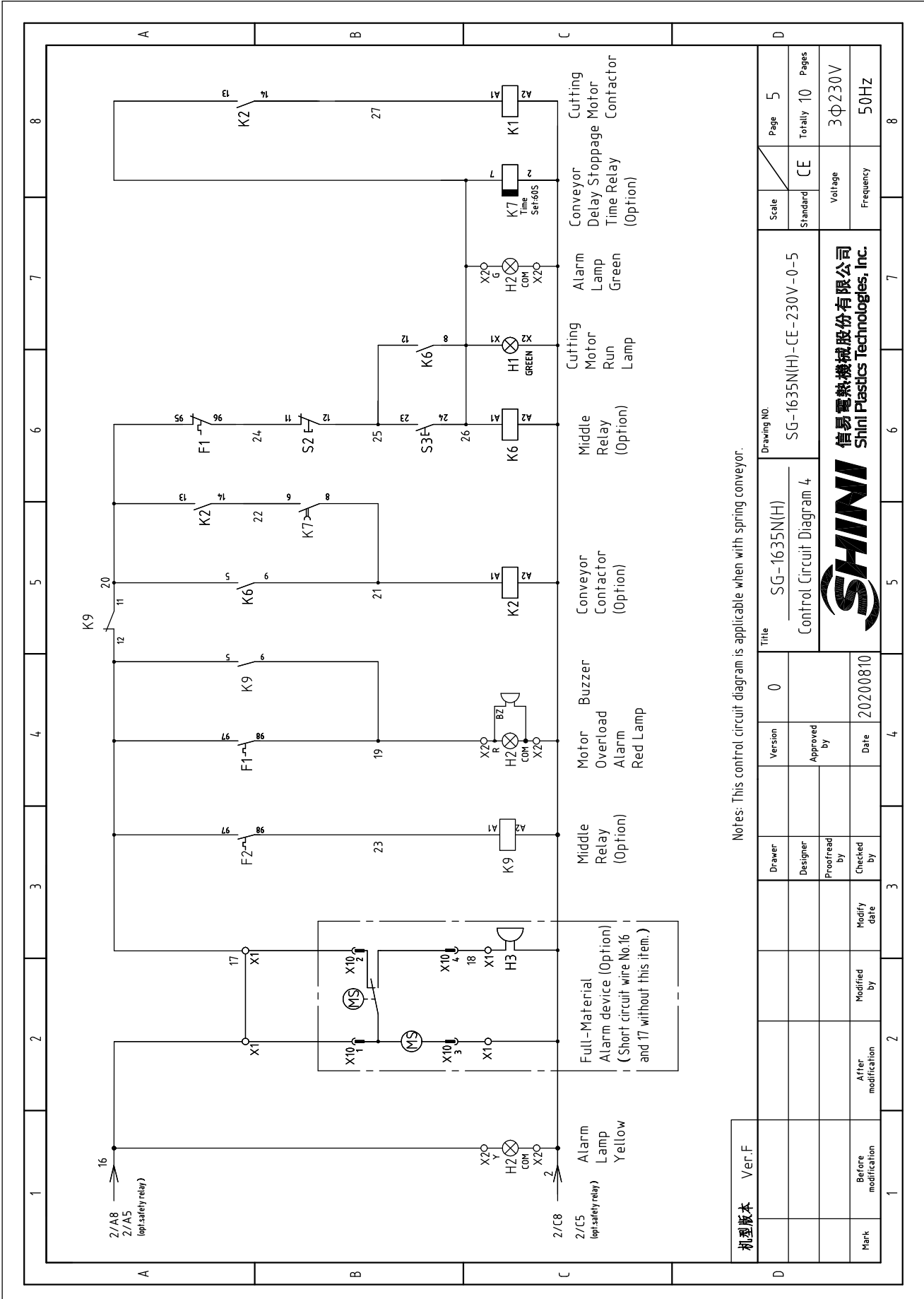
Mark	Before modification	Modified by	Modify date	Checked by	Date	Approved by	Version	Title	Drawing No.	Scale	Page
	After modification									Standard	Totally
								SG-1635N(H)	SG-1635N(H)-CE-230V-0-3	CE	3
								Control Circuit Diagram 2			10
								 信易電熱機械股份有限公司 Shini Plastics Technologies, Inc.		Voltage	3Φ230V
									Frequency	50Hz	



机 型 版 本	Ver.F	Ver.	0	Version	0	Title	SG-1635N(H)	Scale	CE	Page	4
Mark	Before modification	Modified by	20200810	Approved by		Control Circuit Diagram 3	SG-1635N(H)-CE-230V-0-4	Standard	CE	Totally	12
	After modification	Modify date		Date						Voltage	3Φ230V
										Frequency	50Hz

Notes: This control circuit diagram is applicable when with blower conveyor.





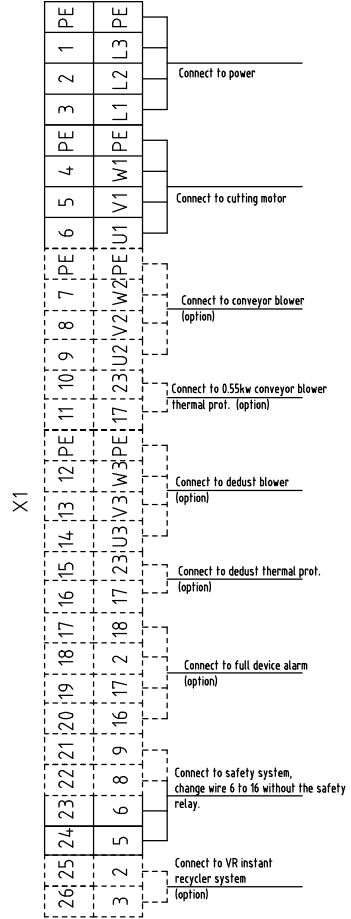
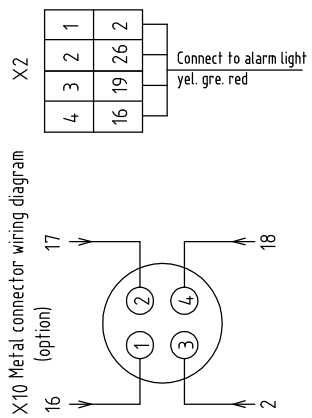
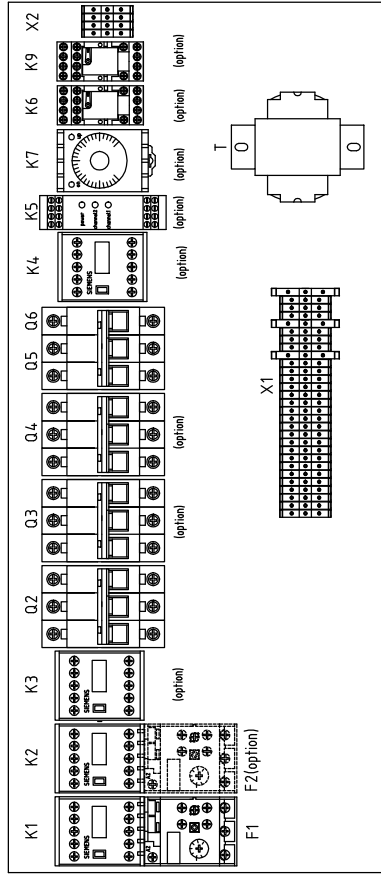
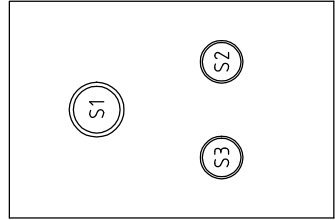
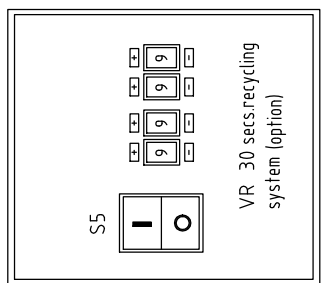
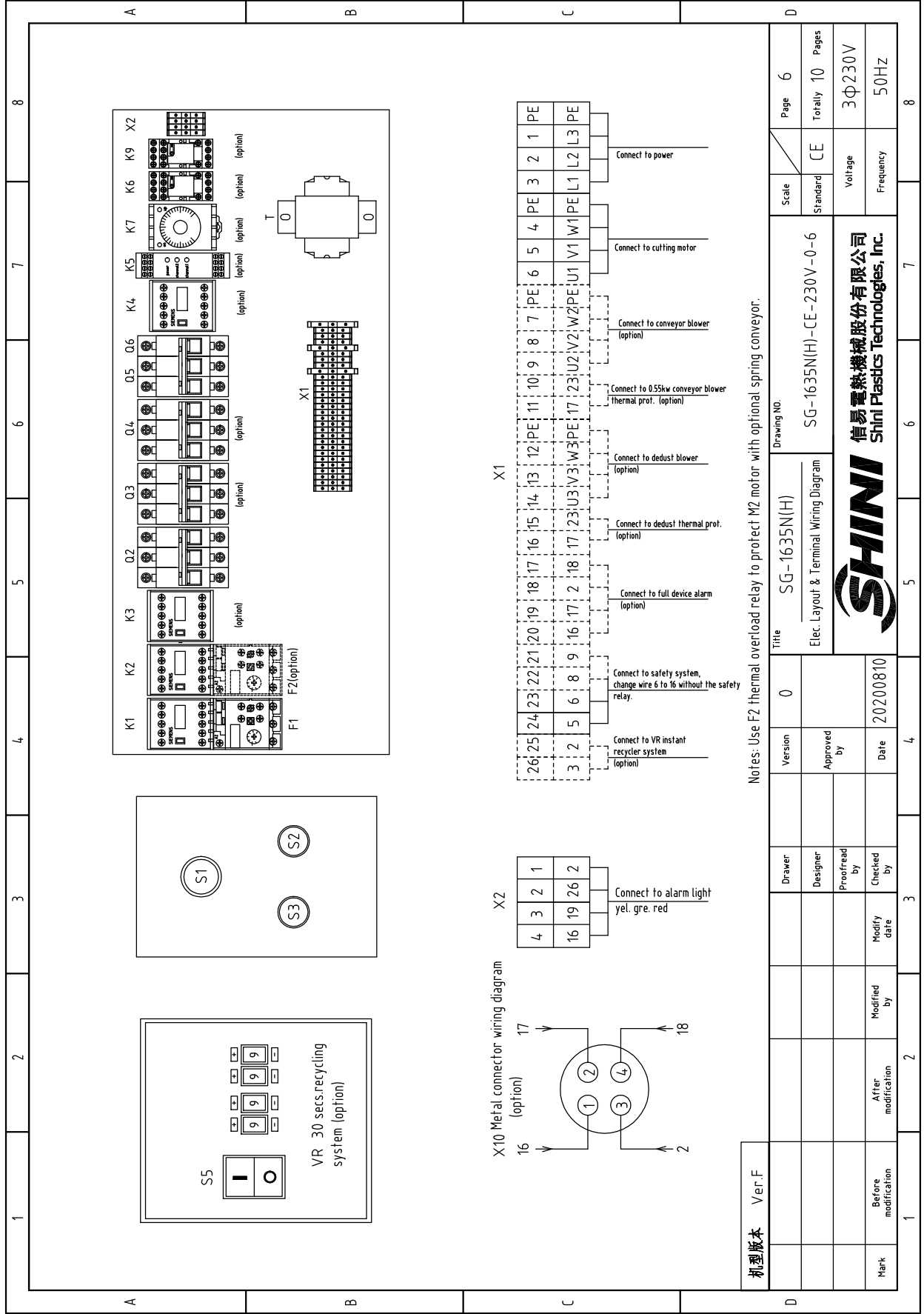
Notes: This control circuit diagram is applicable when with spring conveyor.

机型版本	Ver.F
Drawer	
Designer	
Proofread by	
Checked by	
Modified by	
Modify date	
Mark	
Before modification	
After modification	
Date	20200810
Approved by	
Version	0

Title	SG-1635N(H) Control Circuit Diagram 4
Version	0
Scale	Standard
Standard	CE
Page	5
Totally	10
Pages	
Voltage	3Φ230V
Frequency	50Hz



Drawing No.	SG-1635N(H)-CE-230V-0-5
Scale	Standard
Standard	CE
Page	5
Totally	10
Pages	
Voltage	3Φ230V
Frequency	50Hz



机型版本	Ver.F
Mark	Before modification
Modified by	After modification
Modify date	
Checked by	
Proofread by	
Designer	
Drawer	
Version	0

Title	SG-1635N(H)
Elec Layout & Terminal Wiring Diagram	
SG-1635N(H)-CE-230V-0-6	
 信易电热机械股份有限公司 Shini Plastics Technologies, Inc.	

Scale	CE
Standard	
Voltage	3φ230V
Frequency	50Hz
Page	6
Totally	10
Pages	

Notes: Use F2 thermal overload relay to protect M2 motor with optional spring conveyor.

1	2	3	4	5	6	7	8	
NO.	Symbol	Name	Manufacturer	Type	Specification	Number	Material number	Remark
1	Q1	Main switch	EATON	T0-2-1EA/SVB/20A	20A	1	YE10021160000	(1)
2	Q2	Circuit-breaker	TECO	BM-63C/3025S	25A	1	YE40302503000	
3	Q3	Circuit-breaker	TECO	BM-63C/3006S	6A	1	YE40300603000	(2)(3)
4	Q4	Circuit-breaker	TECO	BM-63C/3006S	6A	1	YE40300603000	(6)
5	Q5	Circuit breaker	TECO	BM-63C/2003S 2P	3A	1	YE40200203000	
6	Q6	Circuit breaker	TECO	BM-63C/1003S 1P	3A	1	YE40100203000	
7	K1	Contacto	SIEMENS	3RT6017-1AB01	24VAC 50/60Hz	1	YE00601702500	
8		Auxiliary contact terminal	SIEMENS	3RH6911-1HA11	1NC+1NO	1	YE00691100100	(5)
9	K2	Contacto	SIEMENS	3RT6015-1AB01	24VAC 50/60Hz	1	YE00601502500	(2)(3)
10		Auxiliary contact terminal	SIEMENS	3RH6911-1HA11	1NC+1NO	1	YE00691100100	(2)(3)
11	K3	Contacto	SIEMENS	3RT6015-1AB01	24VAC 50/60Hz	1	YE00601502500	(6)
12	K4	Contacto	SIEMENS	3RT6018-1AB02	24VAC 50/60Hz	1	YE00601802600	(5)
13	K5	Safety relay	PILZ	PN0Z X2.8P	24VAC/DC	1	YE04023000000	(5)
14	K6	Middle relay	Honeywell	GR-2C-AC24V	24VAC	1	YE03022400300	(2)(3)
15	K7	Time relay	YUYUN	TRF-N/3M	24VAC	1	YE86032400000	(2)(3)
16	K8	VR Time Dialer	YUYUN	CP-02A	24VAC	1	YE80999900600	(7)
17	K9	Middle relay	Honeywell	GR-2C-AC24V	24VAC	1	YE03022400300	(2)(3)(6)
18	F1	Thermal overload relay	SIEMENS	3RU6116-1KB0	9-12.5A	1	YE01169125000	
19	F2	Thermal overload relay	SIEMENS	3RU6116-1AB0	1.1-1.6A	1	YE01160110000	(3)
20	T	Mutual transformer	BAIYUN	IN=230/200V OUT=24VAC	120VA	1	YE70023004500	
21	X1	Terminal board	HONEYWELL	SK2.5	2.5mm ²	8	YE60002503200	
22			HONEYWELL	GK2.5PE	2.5mm ² PE	2	YE60002503400	
23			HONEYWELL	SK2.5	2.5mm ²	5	YE60002503200	(2)
24			HONEYWELL	GK2.5PE	2.5mm ² PE	1	YE60002503400	(2)(3)
25			HONEYWELL	SK2.5	2.5mm ²	4	YE60002503200	(4)
机型版本		Ver.F	Notes:(1)Materials not in the control box;(2)Conveying blower assembly;(3)Screw spring conveyor;(4)Full mat. alarm assembly;(5)Safety relay option;(6)Dedust blower assembly;(7)VR air recycler assembly;		Drawing NO.			
		Drawer	Version	Title	Scale		Page	
		Designer	0	SG-1635N	SG-1635N(H)-CE-230V-0-7		7	
		Proofread by	Approved By	Elec. Parts List 1		Standard		Totality
		Checked by	Date	SHINI		CE		10
		Modified by	20200810	信易塑料机械股份有限公司		Voltage		3Φ230V
		Modify date		Shini Plastics Technologies, Inc.		Frequency		50Hz
1		2	3	4	5	6	7	8

1	2	3	4	5	6	7	8		
NO.	Symbol	Name	Manufacturer	Type	Specification	Number	Material number	Remark	
26			HONEYWELL	SK2.5	2.5mm ²	2	YE60002503200	(5)	
27			HONEYWELL	SK2.5	2.5mm ²	5	YE60002503200	(6)	
28			HONEYWELL	GK2.5PE	2.5mm ² PE	1	YE60002503400	(6)	
29			HONEYWELL	SK2.5	2.5mm ²	2	YE60002503200	(7)	
30	X2	Terminal board	HONEYWELL	SK2.5	2.5mm ²	4	YE60002503200		
31	X10	Metal connector	SHINI	PLT-254-PM male	4P	1	YE68025400000	(1)(4)	
32			SHINI	PLT-254-RF female	4P	1	YE68025400100	(1)(4)	
33	S1	Emergency stop button	SCHNEIDER	XB2BS542C	400VAC	1	YE11254200000	(1)	
34		Contact block	SCHNEIDER	ZB2BE102C	1NC	1	YE00210203100	(1)(5)	
35	S2	Stop button	SCHNEIDER	XB2BA22C	400VAC	1	YE11222000000	(1)	
36	S3,H1	Start button (with light)	SCHNEIDER	XB2BW33B1C	24VAC/DC	1	YE11233100000	(1)	
37		Contact block	SCHNEIDER	ZB2BE101C	1NO	1	YE00210103100	(1)(5)	
38	S4	Safety switch	SCHMERSRC	AZ-17-11ZK	AC-17	1	YE16171100000	(1)	
39	S4	Safety switch	SCHMERSAL	AZ16-02ZVRK-M16-1476-1	250V 3A	1	YE16147600000	(1)(5)	
40		Operating moving parts	SCHMERSRC	AZ17-B6	AC-17	1	YE16176000000	(1)	
41	S5	Safety switch	----	R11-8/4P	24VAC/DC	1	YE10118400000	(7)	
42	H2	Alarm lamp	SHINI	Red. gre. yel.+buzzer	24VAC	1	BL90002401520	(1)	
43	H3	Buzzer	TEND	EA-2	24VAC	1	YE84240200000	(1)(4)	
44	MS	Level sensor	SIPAI	ST-80	24VAC	1	YE15802400100	(1)(4)	
45	M1	Granulating motor	WEG	2.2kW	230V 50/60Hz	1	----	(1)	
46	M2	Conveying blower	SHINI	0.55kW	230V 50/60Hz	1	----	(1)(2)	
47	M2	Spring conveyor	SHINI	0.18kW	230V 50/60Hz	1	----	(1)(3)	
48	M3	Dedust blower	SHINI	0.12kW	230V 50/60Hz	1	----	(1)(6)	
49		Terminal fittings E/GK series	HONEYWELL	----	----	4	YE60000003900		
机型版本 Ver.F Notes:(1)Materials not in the control box;(2)Conveying blower assembly;(3)Screw spring conveyor;(4)Full mat. alarm assembly;(5)Safety relay option;(6)Dedust blower assembly;(7)VR air recycler assembly.									
				Title SG-1635N Elec. Parts List 2		Drawing No. SG-1635N(H)-CE-230V-0-8		Scale Standard CE	Page 8 Totaly 10 Pages
Mark Before modification				Date 20200810		Voltage 3Φ230V Frequency 50Hz			



信易电热机械股份有限公司
Shini Plastics Technologies, Inc.

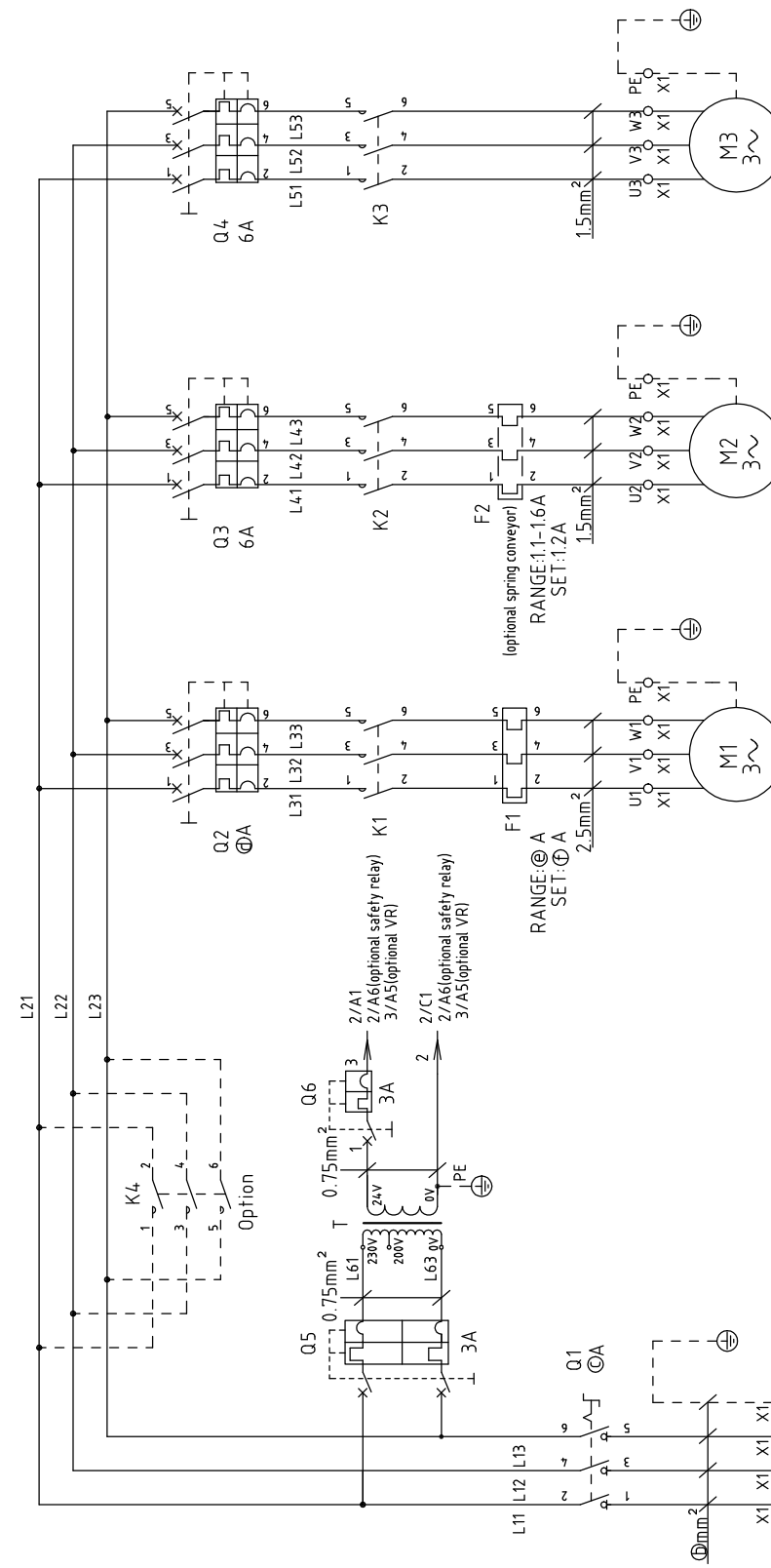
1		2		3		4		5		6		7		8	
NO.	Symbol	Name	Manufacturer	Type	Specification	Number	Material number	Remark							
1	Q1	Main switch	EATON	P1-25/EA/SVB/25A	25A	1	YE10125250000	(1)							
2	Q2	Circuit breaker	TECO	BM-63C/3032S	32A	1	YE40303203000								
3	Q3	Circuit breaker	TECO	BM-63C/3006S	6A	1	YE40300603000	(2)							
4	Q4	Circuit breaker	TECO	BM-63C/3006S	6A	1	YE40300603000	(6)							
5	Q5	Circuit breaker	TECO	BM-63C/2003S 2P	3A	1	YE40200203000								
6	Q6	Circuit breaker	TECO	BM-63C/1003S 1P	3A	1	YE40100203000								
7	K1	Contact	SIEMENS	3RT6018-1AB01	220V 50/60Hz	1	YE00601802500								
8		Auxiliary contact terminal	SIEMENS	3RH6911-1HA11	1NC+1NO	1	YE00691100100	(5)							
9	K2	Contact	SIEMENS	3RT6015-1AB01	24VAC 50/60Hz	1	YE00601502500	(2)(3)							
10		Auxiliary contact terminal	SIEMENS	3RH6911-1HA11	1NC+1NO	1	YE00691100100	(2)(3)							
11	K3	Contact	SIEMENS	3RT6015-1AB01	24VAC 50/60Hz	1	YE00601502500	(6)							
12	K4	Contact	SIEMENS	3RT6025-1AC20	24VAC 50/60Hz	1	YE00602502600	(5)							
13	K5	Safety relay	PILZ	PN0Z X2.8P	24VAC/DC	1	YE04023000000	(5)							
14	K6	Middle relay	Honeywell	GR-2C-AC24V	24VAC	1	YE03022400300	(2)(3)							
15	K7	Time relay	YUYUN	TRF-IN/3M	24VAC	1	YE86032400000	(2)(3)							
16	K8	VR time dialer	YUYUN	CP-02A	24VAC	1	YE80999900600	(7)							
17	K9	/Middle relay	Honeywell	GR-2C-AC24V	24VAC	1	YE03022400300	(2)(3)(6)							
18	F1	Thermal overload relay	SIEMENS	3RU6116-4AB0	11-16A	1	YE01611640000								
19	F2	Thermal overload relay	SIEMENS	3RU6116-1AB0	1.1-1.6A	1	YE01160110000	(3)							
20	T	Mutual transformer	BAIJUN	IN=230/200V OUT=24VAC	120VA	1	YE70023004500								
21	X1	Terminal board	HONEYWELL	SK2.5	2.5mm ²	8	YE60002503200								
22			HONEYWELL	GK2.5PE	2.5mm ² PE	2	YE60002503400								
23			HONEYWELL	SK2.5	2.5mm ²	5	YE60002503200	(2)							
24			HONEYWELL	GK2.5PE	2.5mm ² PE	1	YE60002503400	(2)(3)							
25			HONEYWELL	SK2.5	2.5mm ²	4	YE60002503200	(4)							
机型版本		Ver.F	Notes:(1)Materials not in the control box;(2)Conveying blower assembly;(3)Screw spring conveyor;(4)Full mat. alarm assembly;(5)Safety relay option;(6)Dedust blower assembly;(7)VR air recycler assembly.												
D		Title		SG-1635NH		Scale		CE		Page		9			
		Version		0		Standard		CE		Totally		10			
		Approved by				Elec. Parts List 4		Voltage		Frequency		3Φ230V			
Mark		Before modification		Modified by		Modify date		Frequency		50Hz					
		20200810													



1	2	3	4	5	6	7	8	
NO.	Symbol	Name	Manufacturer	Type	Specification	Number	Material number	Remark
26			HONEYWELL	SK2.5	2.5mm ²	2	YE60002503200	(5)
27			HONEYWELL	SK2.5	2.5mm ²	5	YE60002503200	(6)
28			HONEYWELL	GK2.5PE	2.5mm ² PE	1	YE60002503400	(6)
29			HONEYWELL	SK2.5	2.5mm ²	2	YE60002503200	(7)
30	X2	Terminal board	HONEYWELL	SK2.5	2.5mm ²	4	YE60002503200	
31	X10	Metal connector	SHINI	PLT-254-PM male	4P	1	YE68025400000	(1)(4)
32			SHINI	PLT-254-RF female	4P	1	YE68025400100	(1)(4)
33	S1	Emergency stop button	SCHNEIDER	XB2BS542C	400VAC	1	YE11254200000	(1)
34		Contact block	SCHNEIDER	ZB2BE102C	1NC	1	YE00210203100	(1)(5)
35	S2	Stop button	SCHNEIDER	XB2BA22C	400VAC	1	YE11222000000	(1)
36	S3,H1	Start button (with light)	SCHNEIDER	XB2BW33B1C	24VAC/DC	1	YE11233100000	(1)
37		Contact block	SCHNEIDER	ZB2BE101C	1NO	1	YE00210103100	(1)(5)
38	S4	Safety switch	SCHMERSRC	AZ-17-11ZK	AC-17	1	YE16171100000	(1)
39	S4	Safety switch	SCHMERSAL	AZ16-02ZYRK-M16-14.76-1	250V 3A	1	YE16147600000	(1)(5)
40		Operating moving parts	SCHMERSRC	AZ17-B6	AC-17	1	YE16176000000	(1)
41	S5	Safety switch	----	R11-8/4P	24VAC/DC	1	YE10118400000	(7)
42	H2	Three-color alarm lamp	SHINI	Red. gre. yel.+buzzer	24VAC	1	BL90002401520	(1)
43	H3	Buzzer	TEND	EA-2	24VAC	1	YE84240200000	(1)(4)
44	MS	Level switch	SIPAI	ST-80	24VAC	1	YE15802400100	(1)(4)
45	M1	Granulating Motor	WEG	3.0kW	230V 50/60Hz	1	----	(1)
46	M2	Conveying blower	SHINI	0.55kW	230V 50/60Hz	1	----	(1)(2)
47	M2	Spring conveyor	SHINI	0.18kW	230V 50/60Hz	1	----	(1)(3)
48	M3	Dust blower	SHINI	0.12kW	230V 50/60Hz	1	----	(1)(6)
49		Terminal fittings E/GK series	HONEYWELL	----	----	4	YE60000003900	
机型版本		Ver. F	Notes:(1)Materials not in the control box;(2)Conveying blower assembly;(3)Screw spring conveyor;(4)Full mat. alarm assembly;(5)Safety relay option;(6)Dedust blower assembly;(7)VR air recycler assembly.		Drawing No.		Scale	Page 10
			Version	0	SG-1635NH		CE	Totally 10
			Designer		Elec. Parts List 5		Standard	Pages
			Proofread by				Voltage	3Φ230V
			Checked by				Frequency	50HZ
Mark	Before modification	After modification	Modified by	20200810				
1	2	3	4	5	6	7	8	



信易電熱機械股份有限公司
Shini Plastics Technologies, Inc.



SYMBOL 符号	(a)	(b)	(c)	(d)	(e)	(f)
型号 MODE	SG-2028N	12.0	2.5	20	25	9-12.5
	SG-2028NH	15.0	2.5	25	32	11~16

P=2.2 kW
IN=9.1 A
Cutting Motor
(SG-2028N)

P=0.55 kW
IN=2.5 A
Conveying device
(Option)

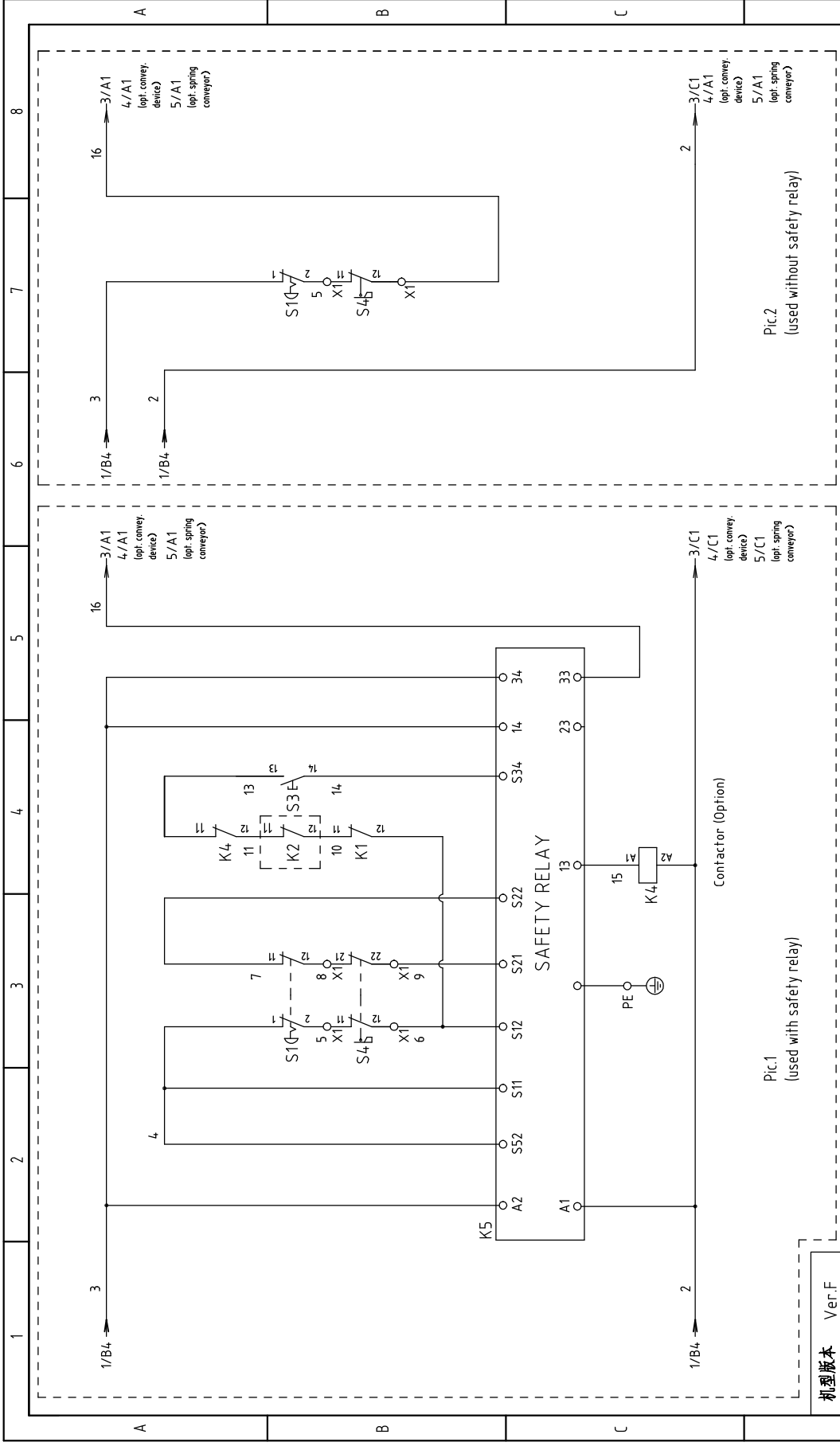
P=0.12 kW
IN=0.6 A
Dedust Motor(Option)


Notes: Use F2 thermal overload relay to protect M2 motor with optional spring conveyor.

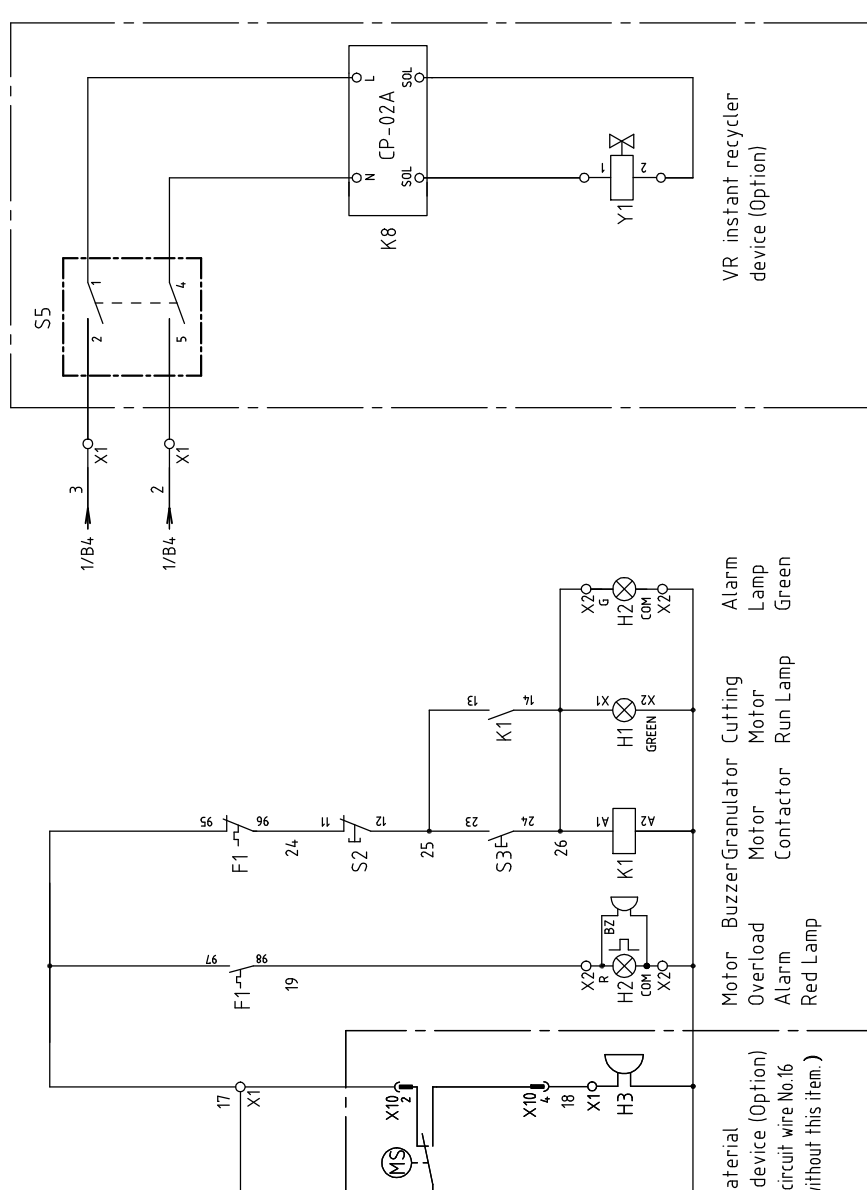
机型版本	Ver.F
Mark	Before modification
	After modification
	Modified by
	Modify date
	Checked by
	Proofread by
	Designer
	Drawer
	Version
	Approved by
	Date
	20200810

Title		SG-2028N(H)		Drawing NO.		Page 1	
Main Circuit Diagram		SG-2028N(H)-CE-230V-0-1		Standard		CE	
Voltage		3Φ230V		Frequency		50Hz	
Totally		10		Pages		8	





机型版本	Ver.F	1	2	3	4	5	6	7	8
Mark	Before modification	Modified by	Modify date	Checked by	Date	20200810	Approved by	Version	0
Title		SG-2028N(H)		Control Circuit Diagram 1		Drawing NO.		SG-2028N(H)-CE-230V-0-2	
Scale		CE		Page 2		Standard		Totally 10 Pages	
Voltage		3φ230V		Frequency		50Hz			
 信易电热机械股份有限公司 Shini Plastics Technologies, Inc.									



Notes: This control circuit diagram is applicable when without (blower conveyor or spring conveyor) or with (VR instant recycler).

机型号版本	Ver.F
Mark	Before modification
	After modification
	Modified by
	Modify date
	Checked by
	Proofread by
	Designer
	Drawer

Version	0
Approved by	
Date	20200810

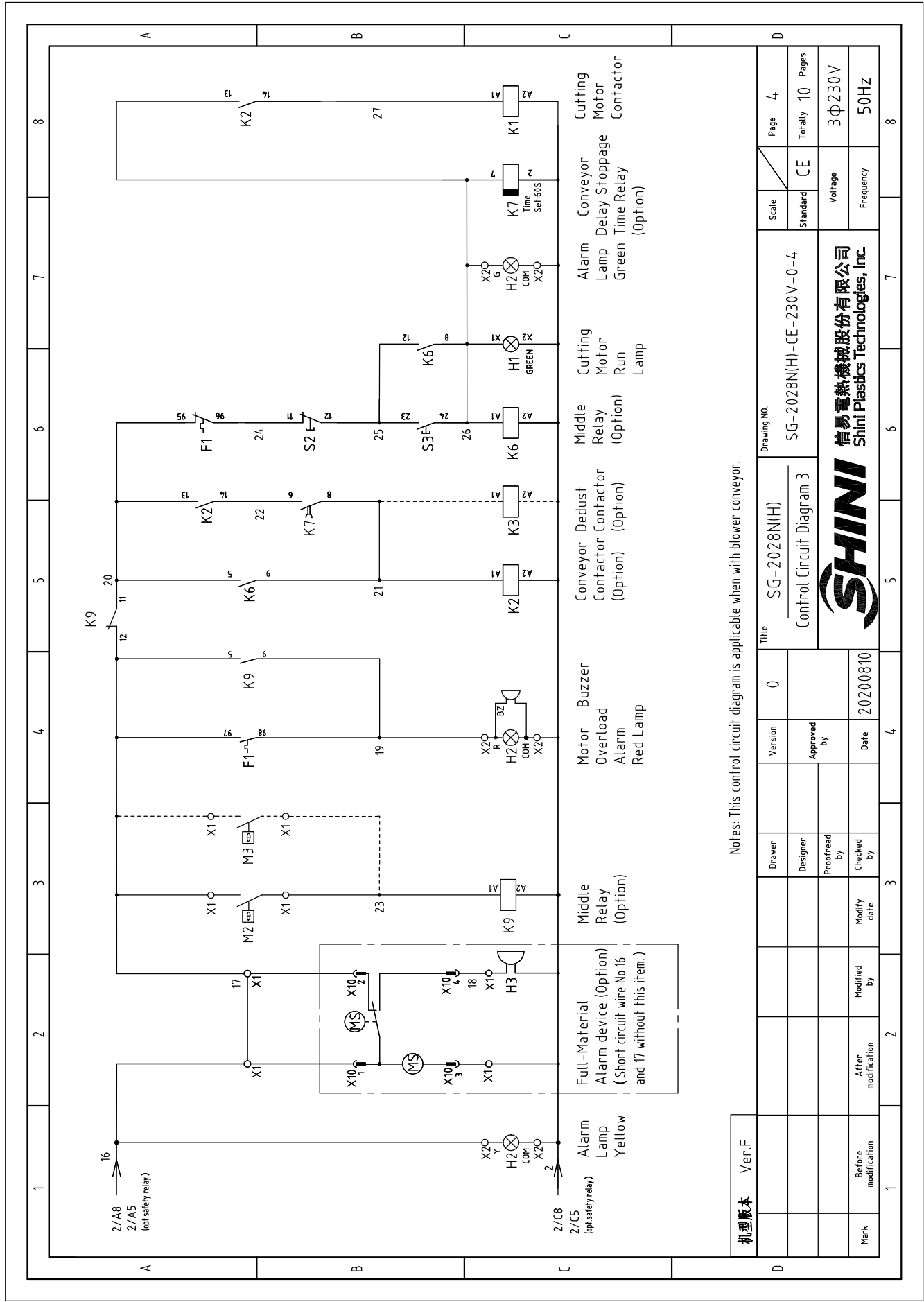
Title	SG-2028N(H) Control Circuit Diagram 2
-------	--

Scale	Standard
Standard	CE
Voltage	3Φ230V
Frequency	50Hz


Page	3
Totally	10
Pages	

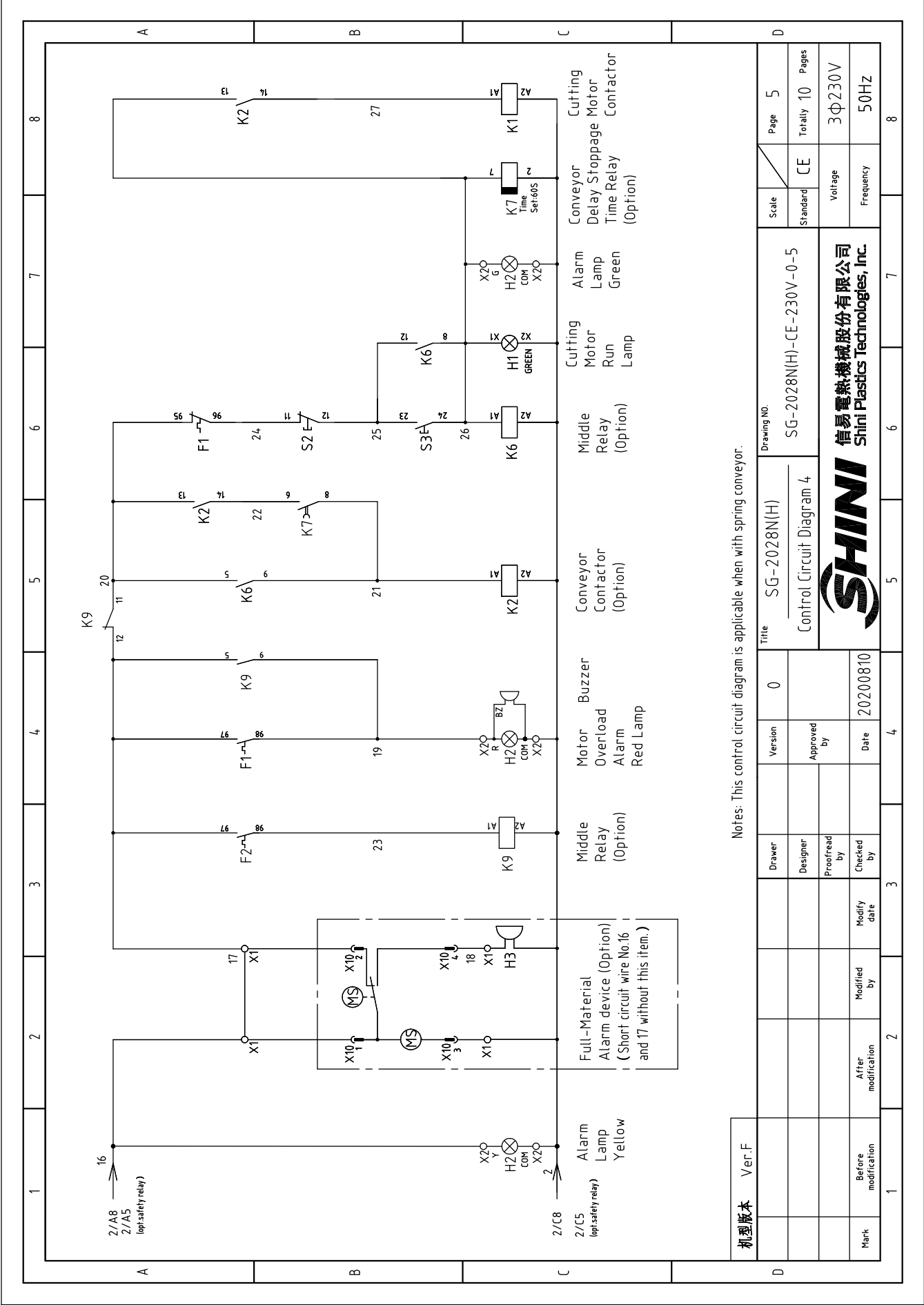
信易電熱機械股份有限公司
Shini Plastics Technologies, Inc.





Notes: This control circuit diagram is applicable when with blower conveyor.

机型版本	Ver.F	Title	SG-2028N(H)		Drawing NO.	SG-2028N(H)-CE-230V-0-4		Scale	Page	4	
				Control Circuit Diagram 3		Standard	CE		Totally	10	Pages
Mark	Before modification	Modified by	Modified date	Checked by	Date	Approved by	Version	0	Voltage		3Φ230V
					20200810				Frequency		50HZ
 信易電熱機械股份有限公司 Shini Plastics Technologies, Inc.											
1	2	3	4	5	6	7	8				



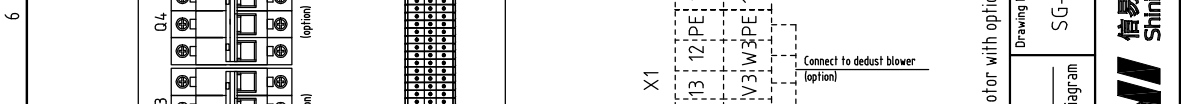
Notes: This control circuit diagram is applicable when with spring conveyor.

机型版本	Ver.F
Mark	Before modification
	After modification
	Modified by
	Modify date
	Checked by
	Approved by
	Date
	20200810

Drawer		Version	0	Title	SG-2028N(H)
Designer		Approved by		Control Circuit Diagram 4	SG-2028N(H)-CE-230V-0-5
Proofread by					
Checked by					

Scale	Standard	Page	5
	CE	Totally	10
		Pages	
		Voltage	3φ230V
		Frequency	50HZ





Notes: Use F2 thermal overload relay to protect M2 motor with optional spring conveyor.

机 型 版 本	Ver.F
---------	-------

Version	0
Approved by	
Date	20200810

Drawer	
Designer	
Proofread by	
Checked by	
Modify date	

After modification	
Before modification	

Scale	Standard
Voltage	3Φ230V
Frequency	50HZ

Page	6
Totally	10 Pages

Drawing NO.	SG-2028N(H)
CE	SG-2028N(H)-CE-230V-0-6

Elec. Layout & Terminal Wiring Diagram	
--	--

SHINI 信易電熱機械股份有限公司 Shini Plastics Technologies, Inc.	
--	--

1	2	3	4	5	6	7	8	
NO.	Symbol	Name	Manufacturer	Type	Specification	Number	Material number	Remark
1	Q1	Main switch	EATON	TO-2-1/EA/SVB/20A	20A	1	YE10021160000	(1)
2	Q2	Circuit-breaker	TECO	BM-63C/3025S	25A	1	YE40302503000	
3	Q3	Circuit-breaker	TECO	BM-63C/3006S	6A	1	YE40300603000	(2)(3)
4	Q4	Circuit-breaker	TECO	BM-63C/3006S	6A	1	YE40300603000	(6)
5	Q5	Circuit breaker	TECO	BM-63C/2003S 2P	3A	1	YE40200203000	
6	Q6	Circuit breaker	TECO	BM-63C/1003S 1P	3A	1	YE40100203000	
7	K1	Contact	SIEMENS	3RT6017-1AB01	24VAC 50/60Hz	1	YE00601702500	
8		Auxiliary contact terminal	SIEMENS	3RH6911-1HA11	1NC+1NO	1	YE00691100100	(5)
9	K2	Contact	SIEMENS	3RT6015-1AB01	24VAC 50/60Hz	1	YE00601502500	(2)(3)
10		Auxiliary contact terminal	SIEMENS	3RH6911-1HA11	1NC+1NO	1	YE00691100100	(2)(3)
11	K3	Contact	SIEMENS	3RT6015-1AB01	24VAC 50/60Hz	1	YE00601502500	(6)
12	K4	Contact	SIEMENS	3RT6018-1AB02	24VAC 50/60Hz	1	YE00601802600	(5)
13	K5	Safety relay	PILZ	PN0Z X2.8P	24VAC/DC	1	YE04023000000	(5)
14	K6	Middle relay	Honeywell	GR-2C-AC24V	24VAC	1	YE03022400300	(2)(3)
15	K7	Time relay	YUYUN	TRF-N/3M	24VAC	1	YE86032400000	(2)(3)
16	K8	VR Time Dialer	YUYUN	CP-02A	24VAC	1	YE80999900600	(7)
17	K9	Middle relay	Honeywell	GR-2C-AC24V	24VAC	1	YE03022400300	(2)(3)(6)
18	F1	Thermal overload relay	SIEMENS	3RU6116-1KB0	9-12.5A	1	YE01169125000	
19	F2	Thermal overload relay	SIEMENS	3RU6116-1AB0	1.1-1.6A	1	YE01160110000	(3)
20	T	Mutual transformer	BAIYUN	IN=230/200V OUT=24VAC	120VA	1	YE70023004500	
21	X1	Terminal board	HONEYWELL	SK2.5	2.5mm ²	8	YE60002503200	
22			HONEYWELL	GK2.5PE	2.5mm ² PE	2	YE60002503400	
23			HONEYWELL	SK2.5	2.5mm ²	5	YE60002503200	(2)
24			HONEYWELL	GK2.5PE	2.5mm ² PE	1	YE60002503400	(2)(3)
25			HONEYWELL	SK2.5	2.5mm ²	4	YE60002503200	(4)
机型版本		Ver.F	Notes:(1)Materials not in the control box;(2)Conveying blower assembly;(3)Screw spring conveyor;(4)Full mat. alarm assembly;(5)Safety relay option;(6)Dedust blower assembly;(7)VR air recycler assembly.		Drawing No.			
			Drawer	Version	Title		Scale	Page
			Designer	0	SG-2028N		Standard	7
			Proofread by	Approved by	Elec. Parts List 1		CE	Totally 10
			Checked by	Date			Voltage	Pages
			Modify date	20200810			Frequency	
Mark	Before modification	After modification			信易塑料机械股份有限公司 Shini Plastics Technologies, Inc.		3Φ230V	50Hz
1	2	3	4	5	6	7	8	8

1	2	3	4	5	6	7	8
NO.	Symbol	Name	Manufacturer	Type	Specification	Number	Material number
			HONEYWELL	SK2.5	2.5mm ²	2	YE60002503200
			HONEYWELL	SK2.5	2.5mm ²	5	YE60002503200
			HONEYWELL	GK2.5PE	2.5mm ² PE	1	YE60002503400
			HONEYWELL	SK2.5	2.5mm ²	2	YE60002503200
	X2	Terminal board	HONEYWELL	SK2.5	2.5mm ²	4	YE60002503200
	X10	Metal connector	SHINI	PLT-254-PM male	4P	1	YE68025400000
			SHINI	PLT-254-RF female	4P	1	YE68025400100
	S1	Emergency stop button	SCHNEIDER	XB2BS542C	400VAC	1	YE11254200000
		Contact block	SCHNEIDER	ZB2BE102C	1NC	1	YE00210203100
	S2	Stop button	SCHNEIDER	XB2BA22C	400VAC	1	YE11222000000
	S3,H1	Start button (with light)	SCHNEIDER	XB2BW33B1C	24VAC/DC	1	YE11233100000
		Contact block	SCHNEIDER	ZB2BE101C	1NO	1	YE00210103100
	S4	Safety switch	SCHMERSRC	AZ-17-11ZK	AC-17	1	YE16171100000
	S4	Safety switch	SCHMERSAL	AZ16-02ZVRK-M16-1476-1	250V 3A	1	YE16147600000
	40	Operating moving parts	SCHMERSRC	AZ17-B6	AC-17	1	YE16176000000
	S5	Safety switch	----	R11-8/4P	24VAC/DC	1	YE10118400000
	H2	Alarm lamp	SHINI	Red. gre. yel. +buzzer	24VAC	1	BL90002401520
	H3	Buzzer	TEND	EA-2	24VAC	1	YE84240200000
	MS	Level sensor	SIPAI	ST-80	24VAC	1	YE15802400100
	M1	Granulating motor	WEG	2.2kW	230V 50/60Hz	1	----
	M2	Conveying blower	SHINI	0.55kW	230V 50/60Hz	1	----
	M2	Spring conveyor	SHINI	0.18kW	230V 50/60Hz	1	----
	M3	Dedust blower	SHINI	0.12kW	230V 50/60Hz	1	----
	49	Terminal fittings E/GK series	HONEYWELL	----	----	4	YE60000003900


机型版本	Ver.F	Notes:(1)Materials not in the control box;(2)Conveying blower assembly;(3)Screw spring conveyor;(4)Full mat. alarm assembly;(5)Safety relay option;(6)Dedust blower assembly;(7)VR air recycler assembly.		
Mark	Before modification	After modification	Modified by	Modify date
				20200810
Title		SG-2028N		
Drawing NO.		SG-2028N(H)-CE-230V-0-8		
Scale		CE		
Standard		Voltage		
Page		Frequency		
8		3Φ230V		
Totally		50Hz		
10		8		



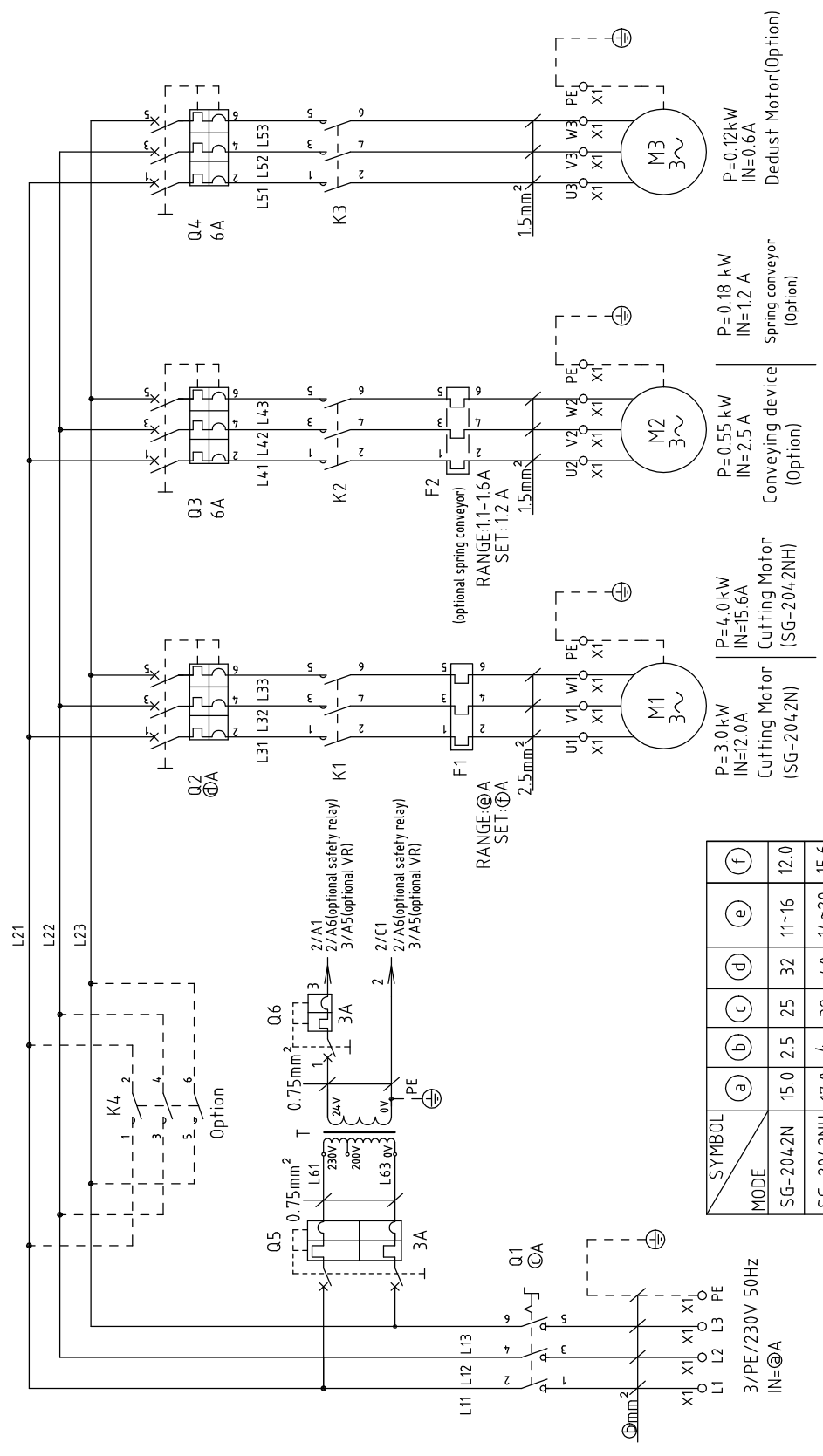
1	2	3	4	5	6	7	8	
NO.	Symbol	Name	Manufacturer	Type	Specification	Number	Material number	Remark
1	Q1	Main switch	EATON	P1-25/EA/SVB/25A	25A	1	YE10125250000	(1)
2	Q2	Circuit breaker	TECO	BM-63C/3032S	32A	1	YE40303203000	
3	Q3	Circuit breaker	TECO	BM-63C/3006S	6A	1	YE40300603000	(2)
4	Q4	Circuit breaker	TECO	BM-63C/3006S	6A	1	YE40300603000	(6)
5	Q5	Circuit breaker	TECO	BM-63C/2003S 2P	3A	1	YE40200203000	
6	Q6	Circuit breaker	TECO	BM-63C/1003S 1P	3A	1	YE40100203000	
7	K1	Contact	SIEMENS	3RT6018-1AB01	220V 50/60Hz	1	YE00601802500	
8		Auxiliary contact terminal	SIEMENS	3RH6911-1HA11	1NC+1NO	1	YE00691100100	(5)
9	K2	Contact	SIEMENS	3RT6015-1AB01	24VAC 50/60Hz	1	YE00601502500	(2)(3)
10		Auxiliary contact terminal	SIEMENS	3RH6911-1HA11	1NC+1NO	1	YE00691100100	(2)(3)
11	K3	Contact	SIEMENS	3RT6015-1AB01	24VAC 50/60Hz	1	YE00601502500	(6)
12	K4	Contact	SIEMENS	3RT6025-1AC20	24VAC 50/60Hz	1	YE00602502600	(5)
13	K5	Safety relay	PILZ	PN0Z X2.8P	24VAC/DC	1	YE04023000000	(5)
14	K6	Middle relay	Honeywell	GR-2C-AC24V	24VAC	1	YE03022400300	(2)(3)
15	K7	Time relay	YUYUN	TRF-N/3M	24VAC	1	YE86032400000	(2)(3)
16	K8	VR time dialer	YUYUN	CP-02A	24VAC	1	YE80999900600	(7)
17	K9	/Middle relay	Honeywell	GR-2C-AC24V	24VAC	1	YE03022400300	(2)(3)(6)
18	F1	Thermal overload relay	SIEMENS	3RU6116-4AB0	11-16A	1	YE01611640000	
19	F2	Thermal overload relay	SIEMENS	3RU6116-1AB0	1.1-1.6A	1	YE01160110000	(3)
20	T	Mutual transformer	BAIYUN	IN=230/200V OUT=24VAC	120VA	1	YE70023004500	
21	X1	Terminal board	HONEYWELL	SK2.5	2.5mm ²	8	YE60002503200	
22			HONEYWELL	GK2.5PE	2.5mm ² PE	2	YE60002503400	
23			HONEYWELL	SK2.5	2.5mm ²	5	YE60002503200	(2)
24			HONEYWELL	GK2.5PE	2.5mm ² PE	1	YE60002503400	(2)(3)
25			HONEYWELL	SK2.5	2.5mm ²	4	YE60002503200	(4)
机型版本		Ver.F	Notes: (1)Materials not in the control box; (2)Conveying blower assembly; (3)Screw spring conveyor; (4)Full mat. alarm assembly; (5)Safety relay option; (6)Dedust blower assembly; (7)VR air recycler assembly.		Drawing No.		Scale	
			Version	0	SG-2028NH		Standard	CE
			Approved by		Elec. Parts List 4		Page 9	
			Checked by				Totaly 10 Pages	
Mark		Before modification	Modified by	20200810			Voltage	
		After modification	Modify date				Frequency	
							3Φ230V	
							50Hz	
							8	



1	2	3	4	5	6	7	8	
NO.	Symbol	Name	Manufacturer	Type	Specification	Number	Material number	Remark
26			HONEYWELL	SK2.5	2.5mm ²	2	YE60002503200	(5)
27			HONEYWELL	SK2.5	2.5mm ²	5	YE60002503200	(6)
28			HONEYWELL	GK2.5PE	2.5mm ² PE	1	YE60002503400	(6)
29			HONEYWELL	SK2.5	2.5mm ²	2	YE60002503200	(7)
30	X2	Terminal board	HONEYWELL	SK2.5	2.5mm ²	4	YE60002503200	
31	X10	Metal connector	SHINI	PLT-254-PM male	4P	1	YE680254-00000	(1)(4)
32			SHINI	PLT-254-RF female	4P	1	YE680254-00100	(1)(4)
33	S1	Emergency stop button	SCHNEIDER	XB2BS542C	400VAC	1	YE11254-200000	(1)
34		Contact block	SCHNEIDER	ZB2BE102C	1NC	1	YE00210203100	(1)(5)
35	S2	Stop button	SCHNEIDER	XB2BA22C	400VAC	1	YE11222000000	(1)
36	S3,H1	Start button (with light)	SCHNEIDER	XB2BW33B1C	24VAC/DC	1	YE11233100000	(1)
37		Contact block	SCHNEIDER	ZB2BE101C	1NO	1	YE00210103100	(1)(5)
38	S4	Safety switch	SCHMERSRC	AZ-17-11ZK	AC-17	1	YE16171100000	(1)
39	S4	Safety switch	SCHMERSAL	AZ16-02ZVRK-M16-1476-1	250V 3A	1	YE1614.7600000	(1)(5)
40		Operating moving parts	SCHMERSRC	AZ17-B6	AC-17	1	YE16176000000	(1)
41	S5	Safety switch	----	R11-8/4P	24VAC/DC	1	YE101184-00000	(7)
42	H2	Three-color alarm lamp	SHINI	Red. gre. yel.-buzzer	24VAC	1	BL900024-01520	(1)
43	H3	Buzzer	TEND	EA-2	24VAC	1	YE84.24-0200000	(1)(4)
44	MS	Level switch	SIPAI	ST-80	24VAC	1	YE158024-00100	(1)(4)
45	M1	Granulating Motor	WEG	3.0kW	230V 50/60Hz	1	----	(1)
46	M2	Conveying blower	SHINI	0.55kW	230V 50/60Hz	1	----	(1)(2)
47	M2	Spring conveyor	SHINI	0.18kW	230V 50/60Hz	1	----	(1)(3)
48	M3	Dust blower	SHINI	0.12kW	230V 50/60Hz	1	----	(1)(6)
49		Terminal fittings E/GK series	HONEYWELL	----	----	4	YE60000003900	

1	2	3	4	5	6	7	8
机型版本	Ver.F	Notes:(1)Materials not in the control box;(2)Conveying blower assembly;(3)Screw spring conveyor;(4)Full mat. alarm assembly;(5)Safety relay option;(6)Deduct blower assembly;(7)VR air recycler assembly.					
		Drawer	Version	Title	Drawing NO.	Scale	Page
		Designer	0	SG-2028NH	SG-2028N(H)-CE-230V-0-10	CE	10
		Proofread by	Approved by	Elec. Parts List 5		Totally	Pages
		Checked by	Date			Voltage	3φ230V
Mark	Before modification	Modified by	20200810	信易電熱機械股份有限公司 Shini Plastics Technologies, Inc.		Frequency	50HZ

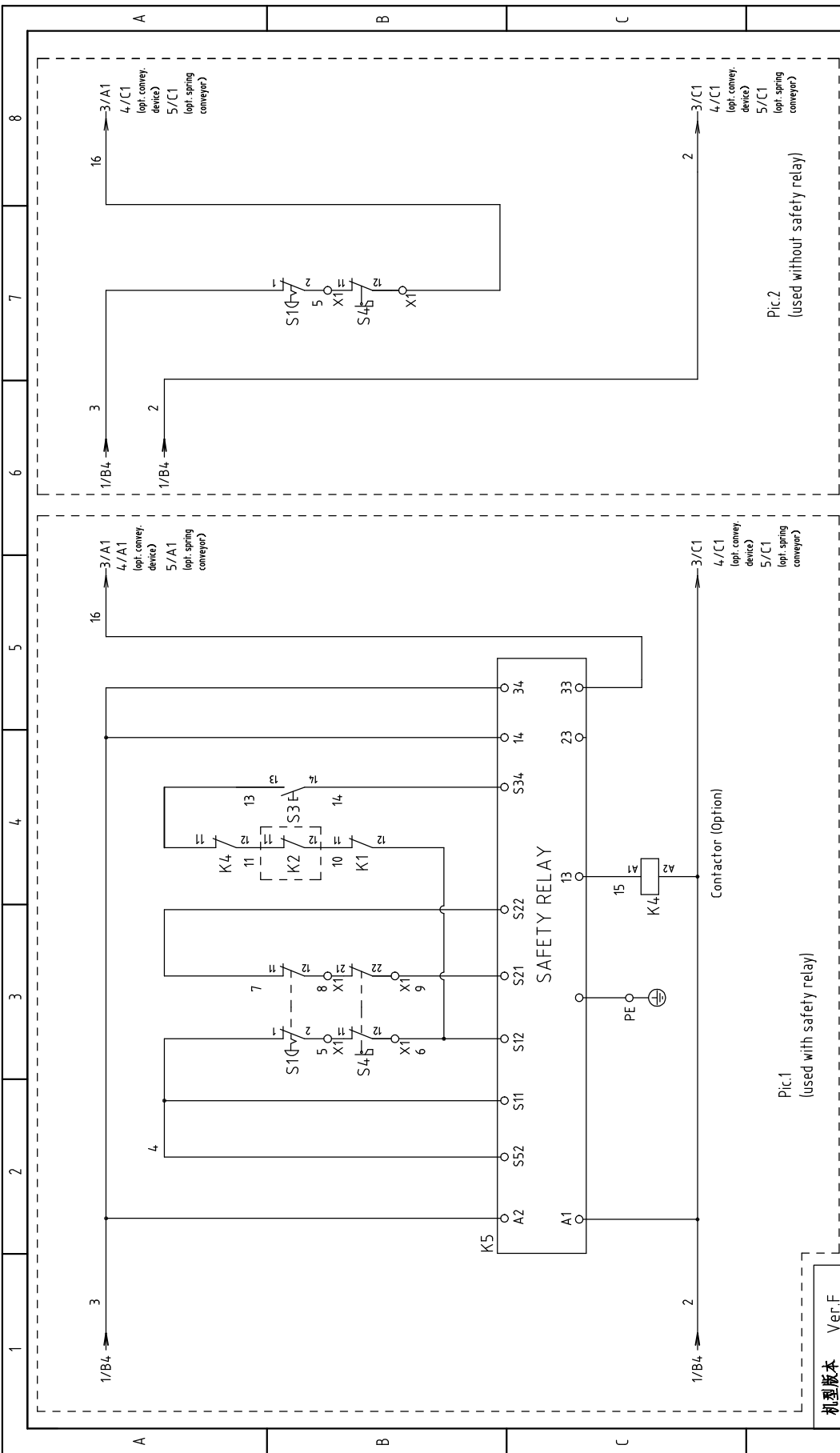
1 2 3 4 5 6 7 8



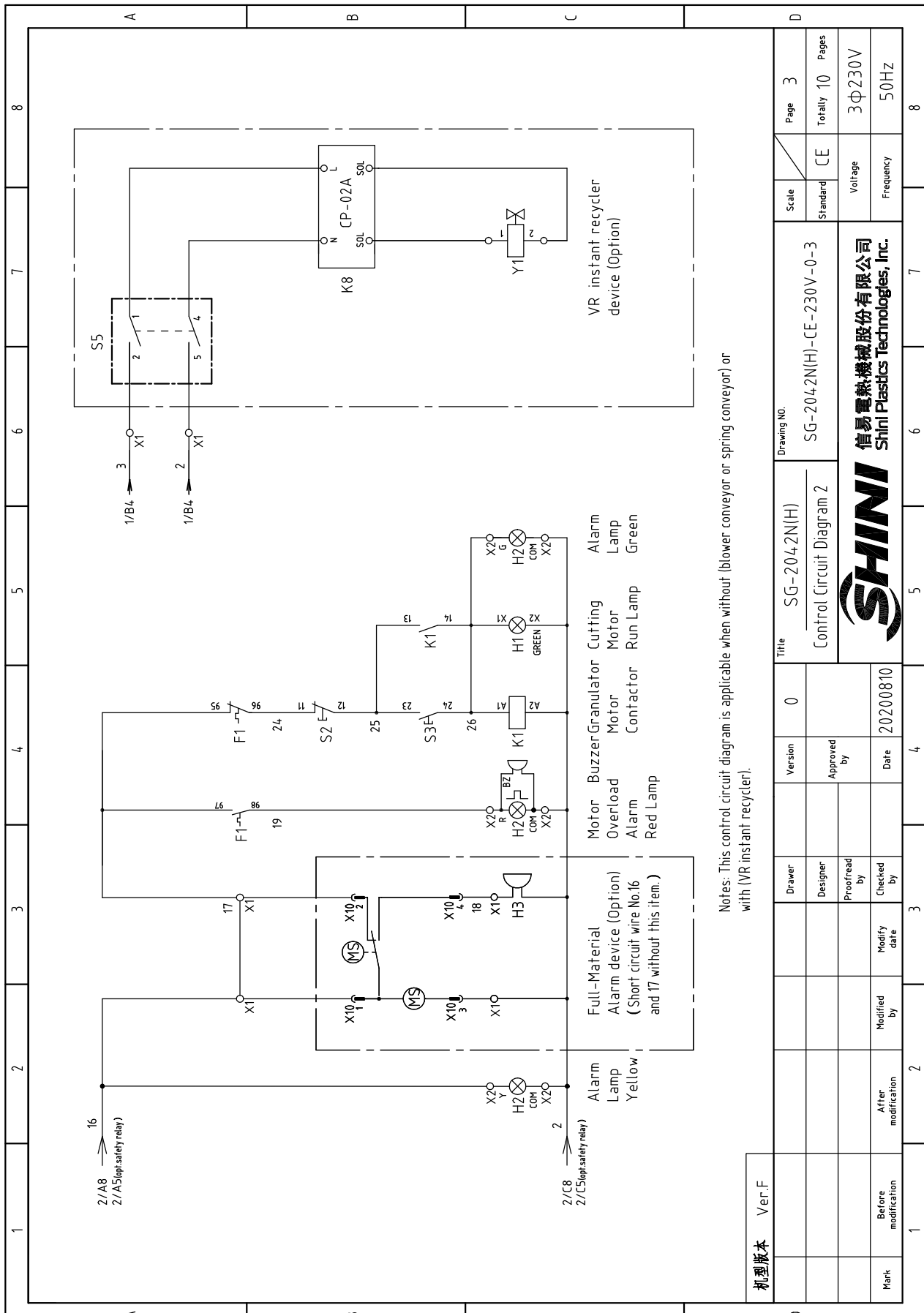
机型版本	Ver.F	Version	0	Title	SG-2042N(H)	Scale	1
Drawer		Designer		Drawing NO.		Standard	CE
Designer		Proofread by		SG-2042N(H)-CE-230V-0-1		Voltage	3Φ230V
Modified by		Checked by		Main Circuit Diagram		Frequency	50HZ
After modification		Modify date	20200810	SHINI 信易电热机械股份有限公司 Shini Plastics Technologies, Inc.		Page	1
Before modification		Date	20200810	SHINI		Totally	10 Pages
				SHINI			

Notes: Use F2 thermal overload relay to protect M2 motor with optional spring conveyor.

1 2 3 4 5 6 7 8



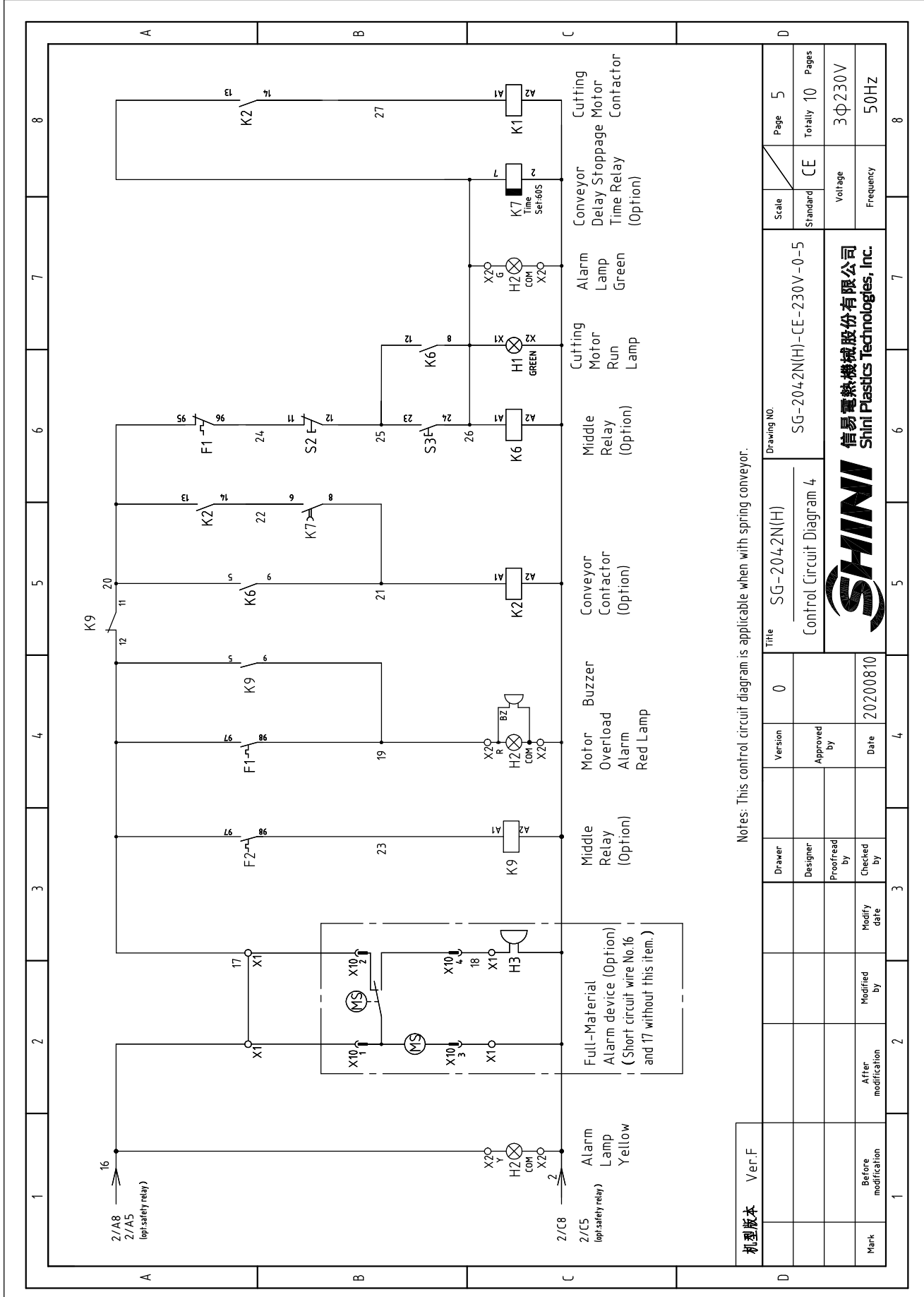
机 型 版 本	Ver.F	1	2	3	4	5	6	7	8
Mark	Before modification		Modified by	Modify date	Checked by	Date	Proofread by	Approved by	Version
				20200810					0
Title		SG-204.2N(H)		Control Circuit Diagram 1		Drawing NO.		SG-204.2N(H)-CE-230V-0-2	
Scale		Standard		CE		Page		2	
Voltage		3 ϕ 230V		Frequency		Totally		10	
Pages									
SHINI		信易電熱機械股份有限公司		Shini Plastics Technologies, Inc.					



Notes: This control circuit diagram is applicable when without (blower conveyor or spring conveyor) or with (VR instant recycler).

机型版本	Ver.F	Drawer	Version	Title	Drawing NO.	Scale	Page
Mark	Before modification	Designer	Approved by	SG-204,2N(H) Control Circuit Diagram 2	SG-204,2N(H)-CE-230V-0-3	Standard	Totally 10
	Modified by	Proofread by	Date			Voltage	Pages
	Modify date	Checked by	20200810			Frequency	3Φ230V
							50Hz





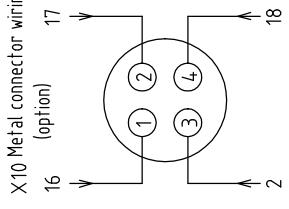
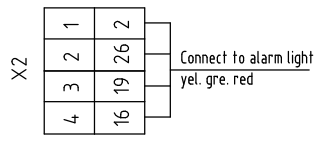
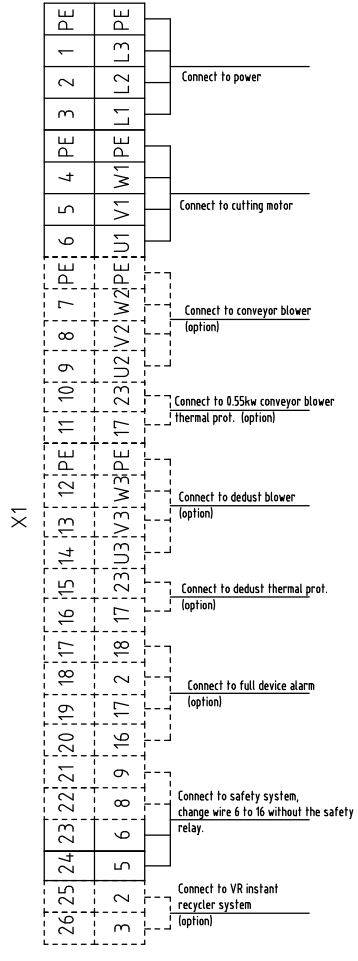
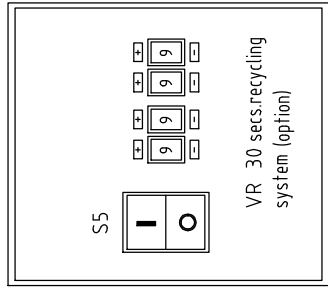
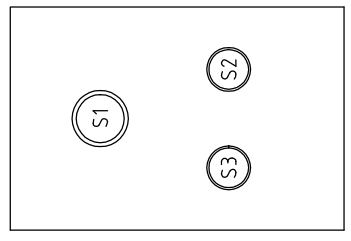
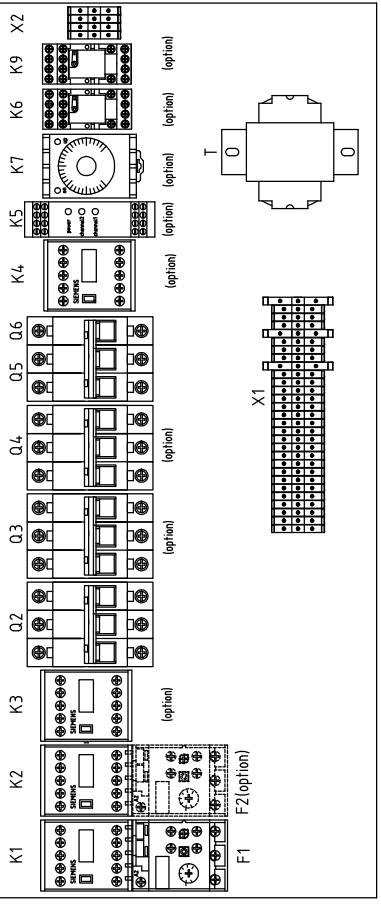
Notes: This control circuit diagram is applicable when with spring conveyor.

初型版本	Ver.F
Mark	Before modification
	After modification
	Modified by
	Modify date
	Checked by
	Date
	20200810
	Red Lamp
	Motor Overload Alarm
	Buzzer
	Motor Alarm

Drawer	Version	Title
	0	SG-204.2N(H)
Designer	Approved by	Control Circuit Diagram 4
Proofread by		
Checked by		

Drawing NO.	Scale	Page
SG-204.2N(H)-CE-230V-0-5	Standard	5
	CE	Totally 10
	Voltage	3Φ230V
	Frequency	50Hz





机型版本 Ver.F

Notes: Use F2 thermal overload relay to protect M2 motor with optional spring conveyor.

Mark	Before modification	Modified by	Modified date	Checked by	Date	Version	0	Title	SG-2042N(H)	Drawing NO.	SG-2042N(H)-CE-230V-0-6	Scale	Standard	Page	6
	After modification				20200810		Approved by				CE		CE		3Φ230V
<p style="text-align: center;">SHINI 信易电热机械股份有限公司 Shini Plastics Technologies, Inc.</p>															

1	2	3	4	5	6	7	8		
NO.	Symbol	Name	Manufacturer	Type	Specification	Number	Material number	Remark	
1	Q1	Main switch	EATON	T0-2-1/EA/SVB/20A	20A	1	YE10021160000	(1)	
2	Q2	Circuit-breaker	TECO	BM-63C/3025S	25A	1	YE40302503000		
3	Q3	Circuit-breaker	TECO	BM-63C/3006S	6A	1	YE40300603000	(2)(3)	
4	Q4	Circuit-breaker	TECO	BM-63C/3006S	6A	1	YE40300603000	(6)	
5	Q5	Circuit breaker	TECO	BM-63C/2003S 2P	3A	1	YE40200203000		
6	Q6	Circuit breaker	TECO	BM-63C/1003S 1P	3A	1	YE40100203000		
7	K1	Contacto	SIEMENS	3RT6017-1AB01	24 VAC 50/60Hz	1	YE00601702500		
8		Auxiliary contact terminal	SIEMENS	3RH6911-1HA11	1NC+1NO	1	YE00691100100	(5)	
9	K2	Contacto	SIEMENS	3RT6015-1AB01	24VAC 50/60Hz	1	YE00601502500	(2)(3)	
10		Auxiliary contact terminal	SIEMENS	3RH6911-1HA11	1NC+1NO	1	YE00691100100	(2)(3)	
11	K3	Contacto	SIEMENS	3RT6015-1AB01	24VAC 50/60Hz	1	YE00601502500	(6)	
12	K4	Contacto	SIEMENS	3RT6018-1AB02	24VAC 50/60Hz	1	YE00601802600	(5)	
13	K5	Safety relay	PILZ	PN0Z X2.8P	24VAC/DC	1	YE04023000000	(5)	
14	K6	Middle relay	Honeywell	GR-2C-AC24V	24VAC	1	YE03022400300	(2)(3)	
15	K7	Time relay	YUYUN	TRF-N/3M	24VAC	1	YE86032400000	(2)(3)	
16	K8	VR Time Dialer	YUYUN	CP-02A	24VAC	1	YE80999900600	(7)	
17	K9	Middle relay	Honeywell	GR-2C-AC24V	24VAC	1	YE03022400300	(2)(3)(6)	
18	F1	Thermal overload relay	SIEMENS	3RU6116-1KB0	9-12.5A	1	YE01169125000		
19	F2	Thermal overload relay	SIEMENS	3RU6116-1AB0	1.1-1.6A	1	YE01160110000	(3)	
20	T	Mutual transformer	BAIYUN	IN=230/200V OUT=24VAC	120VA	1	YE70023004500		
21	X1	Terminal board	HONEYWELL	SK2.5	2.5mm ²	8	YE60002503200		
22			HONEYWELL	GK2.5PE	2.5mm ² PE	2	YE60002503400		
23			HONEYWELL	SK2.5	2.5mm ²	5	YE60002503200	(2)	
24			HONEYWELL	GK2.5PE	2.5mm ² PE	1	YE60002503400	(2)(3)	
25			HONEYWELL	SK2.5	2.5mm ²	4	YE60002503200	(4)	
机型版本		Ver.F		Notes:(1)Materials not in the control box;(2)Conveying blower assembly;(3)Screw spring conveyor;(4)Full mat. alarm assembly;(5)Safety relay option;(6)Deduct blower assembly;(7)VR air recycler assembly.		Drawing NO.			
		Drawer		Version		Scale		Page 7	
		Designer		Approved by		SG-2042N(H)-CE-230V-0-7		Standard CE	
		Proofread by		Date		Elec. Parts List 1		Voltage	
		Checked by		Date		SHINI		Frequency	
Mark		Before modification		Modified by		20200810		3Φ230V	
1		2		3		4		5	
								6	
								7	
								8	




1		2		3		4		5		6		7		8	
NO.	Symbol	Name	Manufacturer	Type	Specification	Number	Material number	Remark							
26			HONEYWELL	SK2.5	2.5mm ²	2	YE60002503200	(5)							
27			HONEYWELL	SK2.5	2.5mm ²	5	YE60002503200	(6)							
28			HONEYWELL	GK2.5PE	2.5mm ² PE	1	YE60002503400	(6)							
29			HONEYWELL	SK2.5	2.5mm ²	2	YE60002503200	(7)							
30	X2	Terminal board	HONEYWELL	SK2.5	2.5mm ²	4	YE60002503200								
31	X10	Metal connector	SHINI	PLT-254-PM male	4P	1	YE68025400000	(1)(4)							
32			SHINI	PLT-254-RF female	4P	1	YE68025400100	(1)(4)							
33	S1	Emergency stop button	SCHNEIDER	XB2BS542C	400VAC	1	YE11254200000	(1)							
34		Contact block	SCHNEIDER	ZB2BE102C	1NC	1	YE00210203100	(1)(5)							
35	S2	Stop button	SCHNEIDER	XB2BA22C	400VAC	1	YE11222000000	(1)							
36	S3,H1	Start button (with light)	SCHNEIDER	XB2BW33B1C	24VAC/DC	1	YE11233100000	(1)							
37		Contact block	SCHNEIDER	ZB2BE101C	1NO	1	YE00210103100	(1)(5)							
38	S4	Safety switch	SCHMERSRC	AZ-17-11ZK	AC-17	1	YE16171100000	(1)							
39	S4	Safety switch	SCHMERSAL	AZ16-02ZVRK-M16-1476-1	250V 3A	1	YE16147600000	(1)(5)							
40		Operating moving parts	SCHMERSRC	AZ17-B6	AC-17	1	YE16176000000	(1)							
41	S5	Safety switch	----	R11-8/4P	24VAC/DC	1	YE10118400000	(7)							
42	H2	Alarm lamp	SHINI	Red. gre. yel.+buzzer	24VAC	1	BL90002401520	(1)							
43	H3	Buzzer	TEND	EA-2	24VAC	1	YE84240200000	(1)(4)							
44	MS	Level sensor	SIPAI	ST-80	24VAC	1	YE15802400100	(1)(4)							
45	M1	Granulating motor	WEG	2.2kW	230V 50/60Hz	1	----	(1)							
46	M2	Conveying blower	SHINI	0.55kW	230V 50/60Hz	1	----	(1)(2)							
47	M2	Spring conveyor	SHINI	0.18kW	230V 50/60Hz	1	----	(1)(3)							
48	M3	Dedust blower	SHINI	0.12kW	230V 50/60Hz	1	----	(1)(6)							
49		Terminal fittings E/GK series	HONEYWELL	----	----	4	YE60000003900								
机型版本		Ver.F	Notes:(1)Materials not in the control box;(2)Conveying blower assembly;(3)Screw spring conveyor;(4)Full mat. alarm assembly;(5)Safety relay option;(6)Dedust blower assembly;(7)VR air recycler assembly.												
D		Title		SG-204.2N		Drawing NO		SG-2042N(H)-CE-230V-0-8		Scale		Page 8			
		Version		0		Elec. Parts List 2		Standard		CE		Totaly 10 Pages			
		Designer		Approved by				Voltage		3Φ230V					
		Proofread by		Date		20200810		Frequency		50Hz					
Mark		Before modification		Modified by		Modify date		SHINI		信易電熱機械股份有限公司		Shini Plastics Technologies, Inc.			
1		2		3		4		5		6		7		8	

1		2		3		4		5		6		7		8	
NO.	Symbol	Name	Manufacturer	Type	Specification	Number	Material number	Remark							
1	Q1	Main switch	EATON	P1-25/EA/SVB/25A	25A	1	YE10125250000	(1)							
2	Q2	Circuit breaker	TECO	BM-63C/3032S	32A	1	YE40303203000								
3	Q3	Circuit breaker	TECO	BM-63C/3006S	6A	1	YE40300603000	(2)							
4	Q4	Circuit breaker	TECO	BM-63C/3006S	6A	1	YE40300603000	(6)							
5	Q5	Circuit breaker	TECO	BM-63C/2003S 2P	3A	1	YE40200203000								
6	Q6	Circuit breaker	TECO	BM-63C/1003S 1P	3A	1	YE40100203000								
7	K1	Contact	SIEMENS	3RT6018-1AB01	220V 50/60Hz	1	YE00601802500								
8		Auxiliary contact terminal	SIEMENS	3RH6911-1HA11	1NC+1NO	1	YE00691100100	(5)							
9	K2	Contact	SIEMENS	3RT6015-1AB01	24VAC 50/60Hz	1	YE00601502500	(2)(3)							
10		Auxiliary contact terminal	SIEMENS	3RH6911-1HA11	1NC+1NO	1	YE00691100100	(2)(3)							
11	K3	Contact	SIEMENS	3RT6015-1AB01	24VAC 50/60Hz	1	YE00601502500	(6)							
12	K4	Contact	SIEMENS	3RT6025-1AC20	24VAC 50/60Hz	1	YE00602502600	(5)							
13	K5	Safety relay	PILZ	PN0Z X2.8P	24VAC/DC	1	YE04023000000	(5)							
14	K6	Middle relay	Honeywell	GR-2L-AC24V	24VAC	1	YE03022400300	(2)(3)							
15	K7	Time relay	YUYUN	TRF-N/3M	24VAC	1	YE86032400000	(2)(3)							
16	K8	VR time dialer	YUYUN	CP-02A	24VAC	1	YE80999900600	(7)							
17	K9	/Middle relay	Honeywell	GR-2L-AC24V	24VAC	1	YE03022400300	(2)(3)(6)							
18	F1	Thermal overload relay	SIEMENS	3RU6116-4AB0	11-16A	1	YE01611640000								
19	F2	Thermal overload relay	SIEMENS	3RU6116-1AB0	1.1-1.6A	1	YE01160110000	(3)							
20	T	Mutual transformer	BAIYUN	IN=230/200V OUT=24VAC	120VA	1	YE70023004500								
21	X1	Terminal board	HONEYWELL	SK2.5	2.5mm ²	8	YE60002503200								
22			HONEYWELL	GK2.5PE	2.5mm ² PE	2	YE60002503400								
23			HONEYWELL	SK2.5	2.5mm ²	5	YE60002503200	(2)							
24			HONEYWELL	GK2.5PE	2.5mm ² PE	1	YE60002503400	(2)(3)							
25			HONEYWELL	SK2.5	2.5mm ²	4	YE60002503200	(4)							
机型版本		Ver.F	Notes:(1)Materials not in the control box;(2)Conveying blower assembly;(3)Screw spring conveyor;(4)Full mat. alarm assembly;(5)Safety relay option;(6)Deduct blower assembly;(7)VR air recycler assembly.												
D		Title		Drawing NO.		Scale		Page		9		10		Pages	
		0		SG-2042NH		SG-2042N(H)-CE-230V-0-9		CE		Voltage		3Φ230V		Frequency	
		Approved by		Elec. Parts List 4		Standard		CE		Frequency		50Hz			
Mark		Before modification		Modified by		Modify date		20200810		Date		20200810			
1		2		3		4		5		6		7		8	



信易電熱機械股份有限公司
Shini Plastics Technologies, Inc.

1		2		3		4		5		6		7		8		
NO.	Symbol	Name	Manufacturer	Type	Specification	Number	Material number	Remark								
26			HONEYWELL	SK2.5	2.5mm ²	2	YE60002503200	(5)								
27			HONEYWELL	SK2.5	2.5mm ²	5	YE60002503200	(6)								
28			HONEYWELL	GK2.5PE	2.5mm ² PE	1	YE60002503400	(6)								
29			HONEYWELL	SK2.5	2.5mm ²	2	YE60002503200	(7)								
30	X2	Terminal board	HONEYWELL	SK2.5	2.5mm ²	4	YE60002503200									
31	X10	Metal connector	SHINI	PLT-254-PM male	4P	1	YE68025400000	(1)(4)								
32			SHINI	PLT-254-RF female	4P	1	YE68025400100	(1)(4)								
33	S1	Emergency stop button	SCHNEIDER	XB2BS542C	400VAC	1	YE11254200000	(1)								
34		Contact block	SCHNEIDER	ZB2BE102C	1NC	1	YE00210203100	(1)(5)								
35	S2	Stop button	SCHNEIDER	XB2BA22C	400VAC	1	YE11222000000	(1)								
36	S3,H1	Start button (with light)	SCHNEIDER	XB2BW33B1C	24VAC/DC	1	YE11233100000	(1)								
37		Contact block	SCHNEIDER	ZB2BE101C	1NO	1	YE00210103100	(1)(5)								
38	S4	Safety switch	SCHMERSRC	AZ-17-11ZK	AC-17	1	YE16171100000	(1)								
39	S4	Safety switch	SCHMERSAL	AZ16-02ZVRK-M16-1476-1	250V 3A	1	YE16147600000	(1)(5)								
40		Operating moving parts	SCHMERSRC	AZ17-B6	AC-17	1	YE16176000000	(1)								
41	S5	Safety switch	----	R11-8/4P	24VAC/DC	1	YE10118400000	(7)								
42	H2	Three-color alarm lamp	SHINI	Red. gre. yel.+buzzer	24VAC	1	BL90002401520	(1)								
43	H3	Buzzer	TEND	EA-2	24VAC	1	YE84240200000	(1)(4)								
44	MS	Level switch	SIPAI	ST-80	24VAC	1	YE15802400100	(1)(4)								
45	M1	Granulating Motor	WEG	3.0kW	230V 50/60Hz	1	----	(1)								
46	M2	Conveying blower	SHINI	0.55kW	230V 50/60Hz	1	----	(1)(2)								
47	M2	Spring conveyer	SHINI	0.18kW	230V 50/60Hz	1	----	(1)(3)								
48	M3	Dust blower	SHINI	0.12kW	230V 50/60Hz	1	----	(1)(6)								
49		Terminal fittings E/GK series	HONEYWELL	----	----	4	YE60000003900									
机 型 概 本		Ver.F	Notes:(1)Materials not in the control box;(2)Conveying blower assembly;(3)Screw spring conveyer;(4)Full mat. alarm assembly;(5)Safety relay option;(6)Dedust blower assembly;(7)VR air recycler assembly.													
D		Title		Version		Drawing No.		Scale		Page		D				
		SG-2042NH		0		SG-2042N(H)-CE-230V-0-10		Standard		CE		Page 10				
		Elec. Parts List 5		Approved by				Standard		CE		Totally 10 Pages				
Mark		Before modification	Modified by	Modify date	Checked by	Date	 信易电热机械股份有限公司 Shini Plastics Technologies, Inc.						Voltage		3Φ230V	
						20200810		Frequency		50Hz						
1		2		3		4		5		6		7		8		