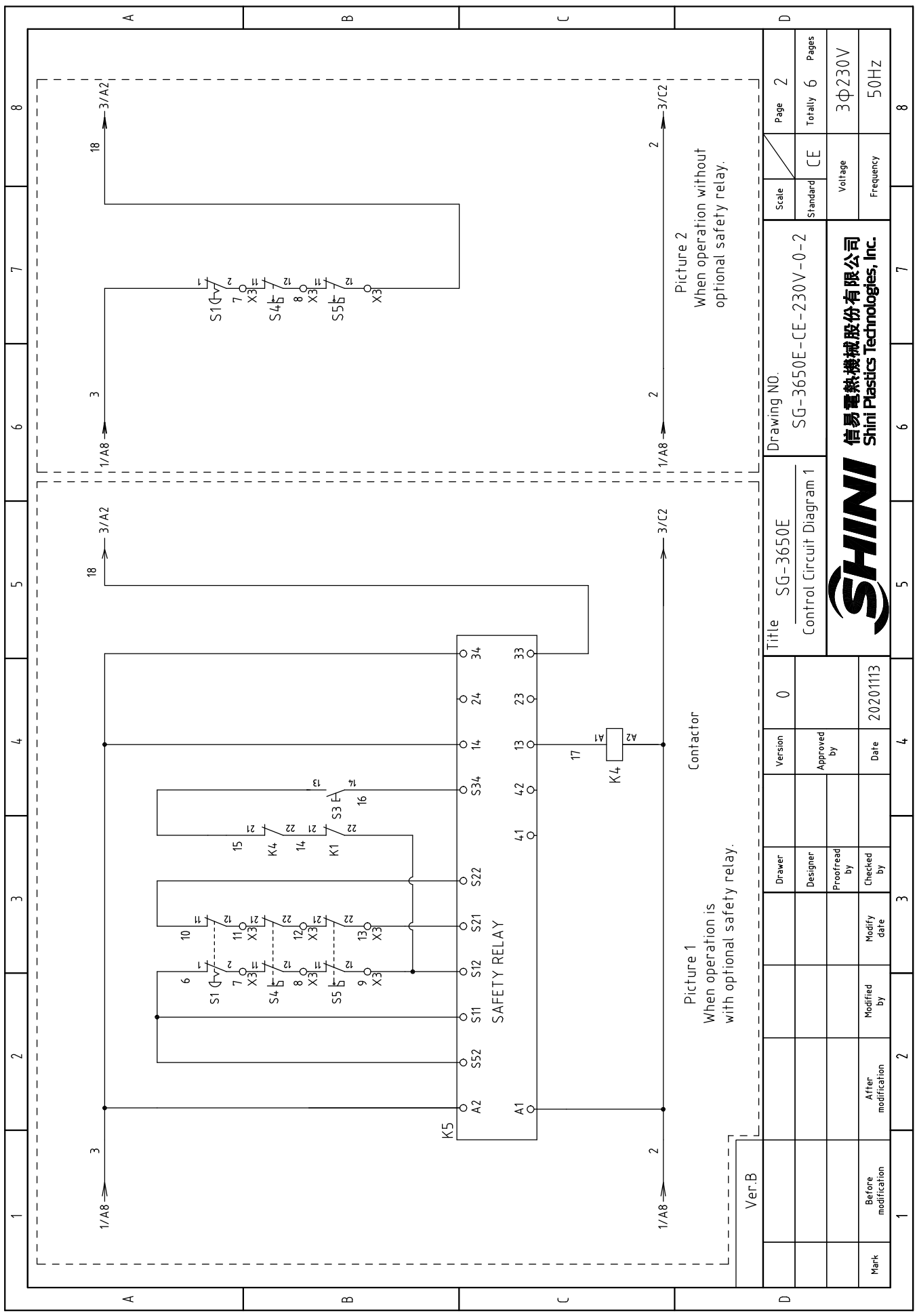


Ver.B	Title		Drawing NO.		Scale	Page
	SG-3650E		SG-3650E-CE-230V-0-1		Standard	Totally
Main Circuit Diagram				CE	6	Pages
				Voltage	3Φ230V	
				Frequency	50HZ	
Mark	Before modification	Modified by	Modify date	Checked by	Date	Version
1			20201113		4	0
2	After modification	Modified by		Checked by		
3				Proofread by		
4				Designer		
5				Drawer		
6						
7						
8						



P=18.5 kW
IN=59.6 A
Granulating motor



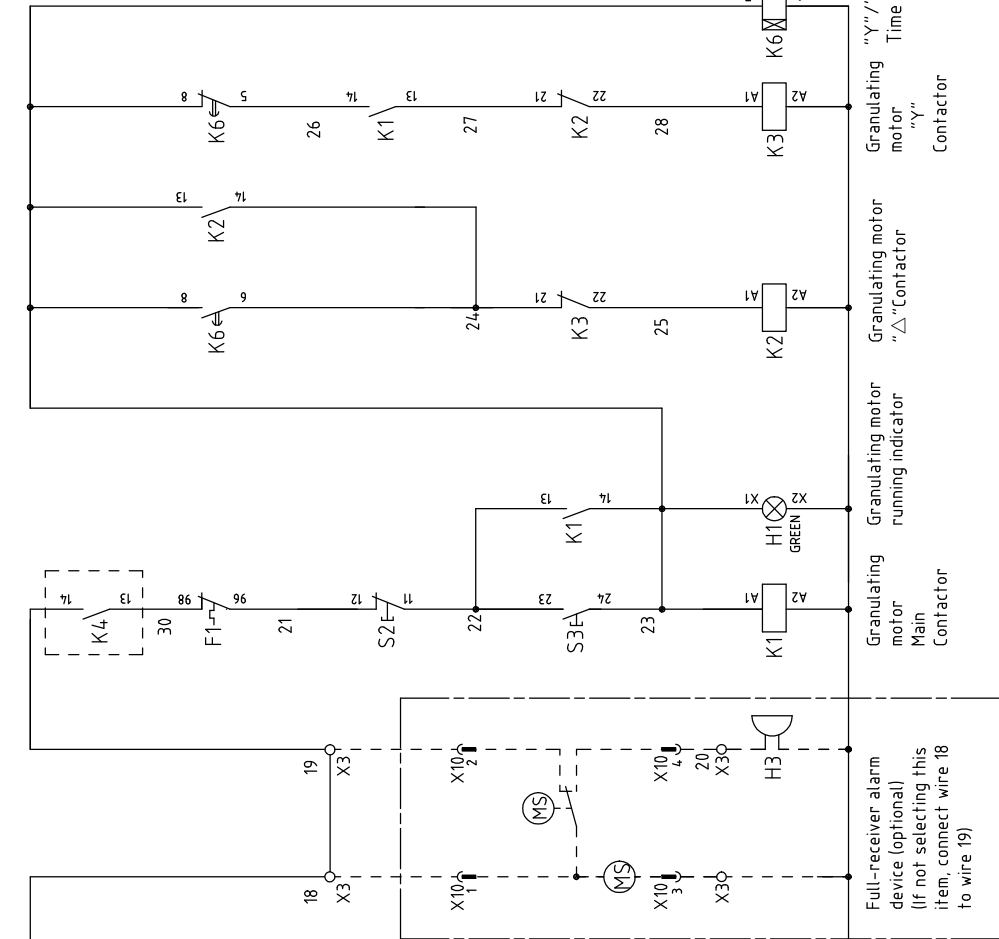
Picture 1
When operation is
with optional safety relay.

Picture 2
When operation without
optional safety relay.

Mark	Before modification	Modified by	Modify date	Checked by	Date	20201113	Approved by	Version	0	Title	Drawing NO.		Page	
	After modification	Modified by	Modify date								SG-3650E	SG-3650E-CE-230V-0-2		CE
											Standard	Totally	6	Pages
											Voltage	3Φ230V		
											Frequency	50HZ		
											Scale		8	
											Ver.B		8	



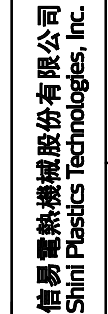
2/A8
2/A5(Option with safety relay)



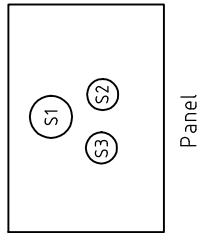
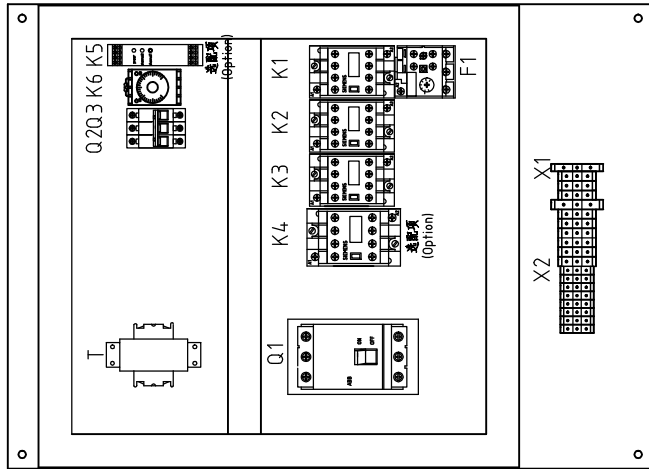
2/C8
2/C5(Option with safety relay)

Granulating motor Main Contactor
Granulating motor running indicator
Granulating motor "Δ" Contactor
Granulating motor "Y"/"Δ" convert Time Relay
Granulating motor "Y" Contactor

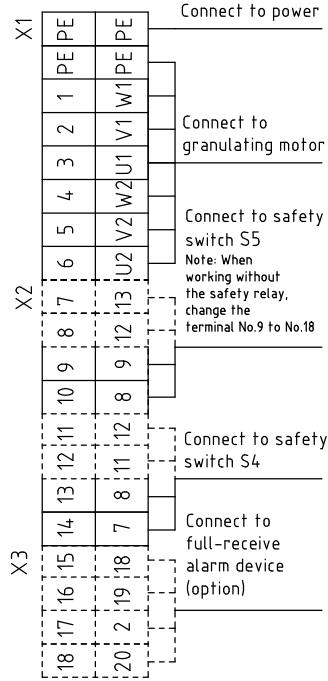
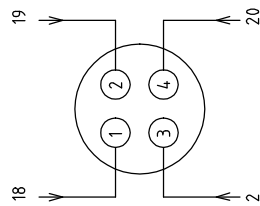
Ver.B					Drawing NO.		Page 3		
Title					SG-3650E			Standard	
Version					0			CE	
Designer					Control Circuit Diagram 2			Totally 6 Pages	
Proofread by					SG-3650E-CE-230V-0-3			Voltage	
Checked by					20201113			3Φ230V	
Modified by								Frequency	
After modification								50HZ	
Before modification									
Mark									



信易電熱機械股份有限公司
Shini Plastics Technologies, Inc.



X10 Connection diagram of metal connectors (option)



Ver.B										
Mark	Before modification	After modification	Modified by	Modify date	Checked by	Proofread by	Designer	Drawer	Version	0

Title		SG-3650E		Drawing NO.		SG-3650E-CE-230V-0-4	
Electrical Components Layout				Scale		CE	
				Standard		Voltage	
						Frequency	
				Page		4	
				Totally		6	
				Pages		3Φ230V	
				Frequency		50HZ	


SHINI
 信易電熱機械股份有限公司
 Shini Plastics Technologies, Inc.

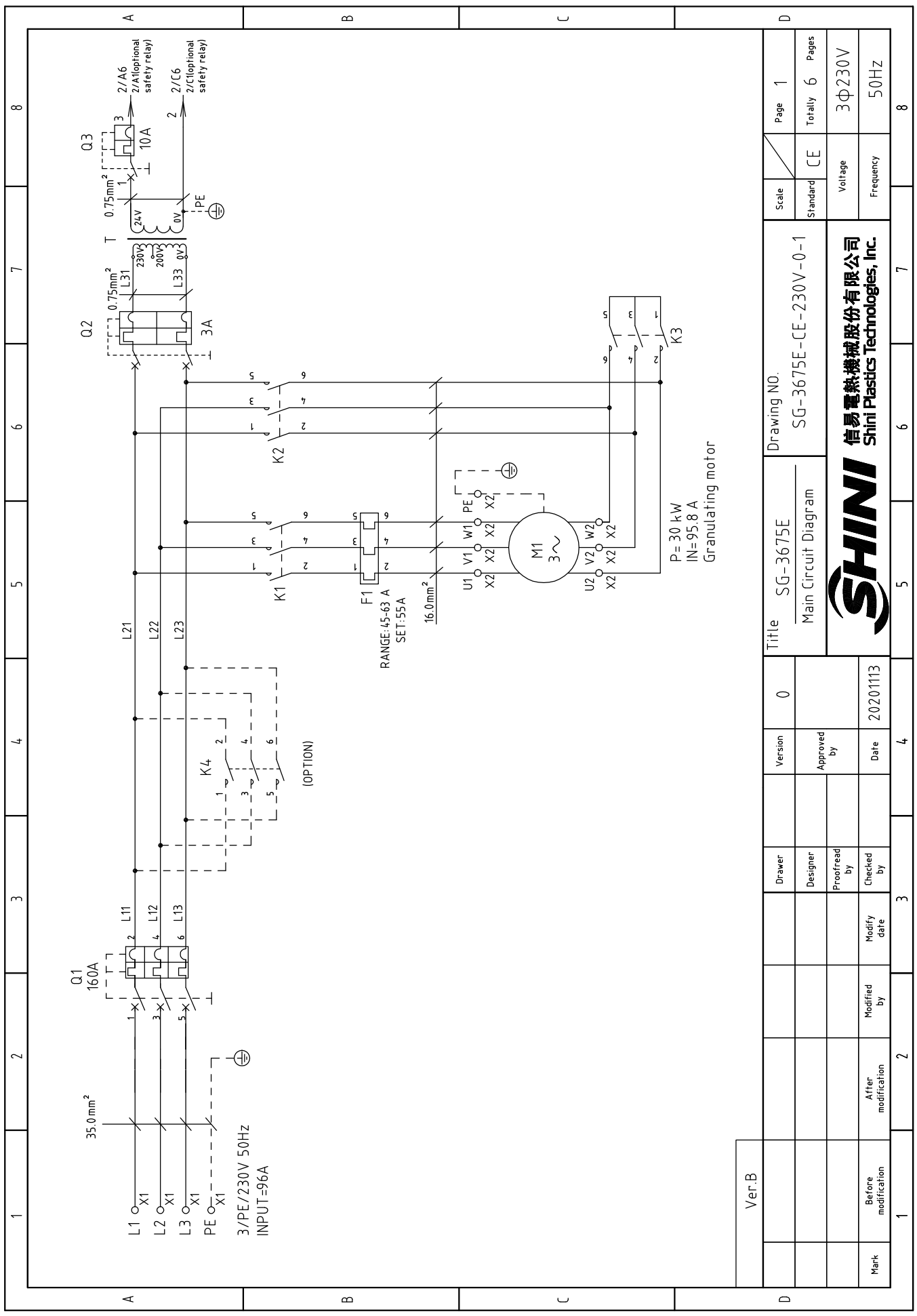
1	2		3	4	5	6	7	8
NO.	Symbol	Name	Manufacturer	Type	Specification	Number	Material number	Remark
1	Q1	Break interlock	ABB	A1A125TMF125/12503PFF	125A	1	YE41161400000	Delete
2	Q1	Break interlock	ABB	A1A125TMF90	90A	1	YE41109200000	New
3	K1 K2	Contact	SIEMENS	3RT6028-1AC20	38A 24VAC 50/60Hz	2	YE00602802600	
4		Auxiliary contact	SIEMENS	3RH6911-1AA10	1NO	1	YE00691110000	New
5	K3	Contact	SIEMENS	3RT6027-1AC20	32A 24VAC 50/60 Hz	1	YE00602702600	
6	K4	Contact	SIEMENS	3RT5044-1AC20	65A 24VAC 50/60Hz	1	YE00504402600	(3)
7		Auxiliary Contact	SIEMENS	3RH5921-1CA01	1NC	1	YE00592110100	(3)
8		Auxiliary Contact	SIEMENS	3RH5921-1CA10	1NO	1	YE00592110000	(3) New
9	K5	Safety relay	PILZ	PN0Zx2.8P	24V AC/DC	1	YE04023000000	(3)
10	K6	Timer relay	YUYUN	TH3A-NAB	24VAC	1	YE86602400300	
11	F1	Overload relay	SIEMENS	3RU6126-4PB0	30-36A	1	YE01612630000	
12	FU1	Fuse	CHNT	RT18-32	2P	1	YE41032200000	Delete
13		Fuse-core	CHNT	10x38-500V ZA	2A	2	YE46002000400	Delete
14	FU2	Fuse	YINDA	FS-10	-----	1	YE41040000000	Delete
15		Glass-fuse	-----	6x30	5A	1	YE46630500400	Delete
16	Q2	Circuit breaker	TECO	BM-63C/2003S 2P	3A	1	YE40200203000	New
17	Q3	Circuit-breaker	TECO	BM-63C/1010S 1P	10A	1	YE40101000100	New
18	T	Transformer	-----	IN=230V/OUT= 24V	120VA	1	YE70023005500	Delete
19	T	Transformer	-----	IN=230V/200V OUT= 24VAC	120VA	1	YE70023004500	New
20	T	Transformer	-----	IN=230V/200V OUT= 24V	230VA	1	YE70023006100	(3)New
21	X1	Terminal board	Honeywell	16mm ² PE	-----	1	YE60001603500	
22			Honeywell	10.0mm ²	-----	6	YE60001003200	
23			Honeywell	10.0mm ² PE	-----	1	YE60001003500	
24	X2	Terminal board	Honeywell	2.5mm ²	-----	4	YE60002503200	
25			Honeywell	2.5mm ²	-----	4	YE60002503200	(3)

Ver.B Notes: (1)Means it's not the material inside the control box. (2)Means optional accessories of full-receive alarm device. (3)Stand for optional safety relay.

1	2		3	4	5	6	7	8
Mark	Before modification	After modification	Modified by	Modify date	Checked by	Proofread by	Designer	Drawer
				2020113				
				Date	Approved by	Version	Title	
				2020113		0	SG-3650E	
							Drawing NO.	
							SG-3650E-CE-230V-0-5	
							Electrical Components List 1	
							Standard	Scale
							CE	Page 5
							Totally	Pages
							3	6
							Voltage	
							Frequency	
							3φ	230V
								50HZ



1		2		3		4		5		6		7		8					
NO.	Symbol	Name	Manufacturer	Type	Specification	Number	Material number	Remark	Remark										
26	X3	Terminal board	Honeywell	2.5mm ²	----	4	YE60002503200	(2)											
27	S1	Emergency stop button	SCHNEIDER	XB2BS542C	400VAC	1	YE11254200000	(1)											
28		Contact block	SCHNEIDER	ZB2BE102C	1NC	1	YE00210203100	(1)(3)											
29	S2	Stop button	SCHNEIDER	XB2BA22C	400VAC	1	YE11222000000	(1)											
30	S3,H1	Start button (with light)	SCHNEIDER	XB2BW33B1C	24VAC	1	YE11233100000	(1)											
31		Contact block	SCHNEIDER	ZB2BE101C	1NO	1	YE00210103100	(1)(3)											
32	S4,S5	Safety switch	SCHMERSRC	AZ15-02ZVRK-1476	AZ-15	2	YE16147600100	(1)											
33	S4,S5	Safety switch	SCHMERSRC	AZ16-02ZVRK-1476	AZ-16	2	YE16147600000	(1)(3)											
34	H3	Buzzer	TEND	EA-2	24VAC	1	YE84240200000	(1)(2)											
35	MS	Material level switch	SIPAI	SR-80	24VAC	1	YE15802400100	(1)(2)											
36	X10	Metal connector	APEX	PLT-254-PM	4P	1	YE68025400000	(1)(2)											
37			APEX	PLT-254-RF	4P	1	YE68025400100	(1)(2)											
38	M1	Granulating motor	-----	18.5kW	230V 50Hz	1	-----	(1)											
Ver.B Notes: (1)Means it's not the material inside the control box. (2)Means optional accessories of full-receive alarm device. (3)Stand for optional safety relay.																			
							Title		SG-3650E		Drawing NO.		Scale		Page				
							Electrical Components List 2		SG-3650E-CE-230V-0-6		CE		Voltage		6				
											Stand		Frequency		Totally				
											CE		3 ϕ 230V		6				
													50Hz		8				
Mark	Before modification	After modification	Modified by	Modify date	Checked by	Date	 信易電熱機械股份有限公司 Shini Plastics Technologies, Inc.									20201113 4			

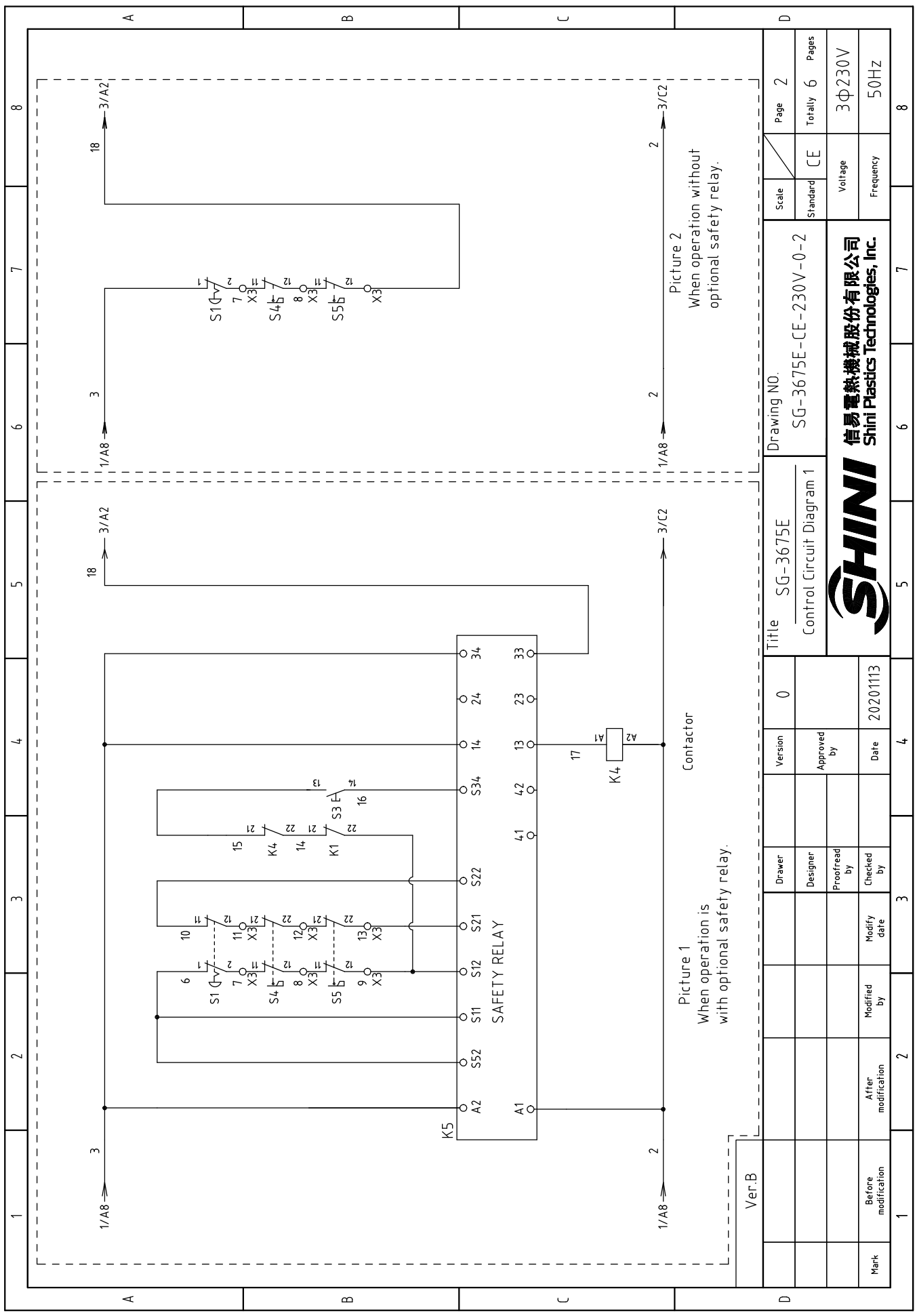


Ver.B	Title		Drawing NO.		Scale		Page		
	SG-3675E		SG-3675E-CE-230V-0-1		CE		1		
Main Circuit Diagram		Standard		Voltage		Frequency		Pages	
				3Φ230V		50HZ		Totally 6	
Mark	Before modification	Modified by	Modify date	Checked by	Date	Approved by	Version	0	
					20201113			4	

SHINI
信易電熱機械股份有限公司
Shini Plastics Technologies, Inc.

1 2 3 4 5 6 7 8

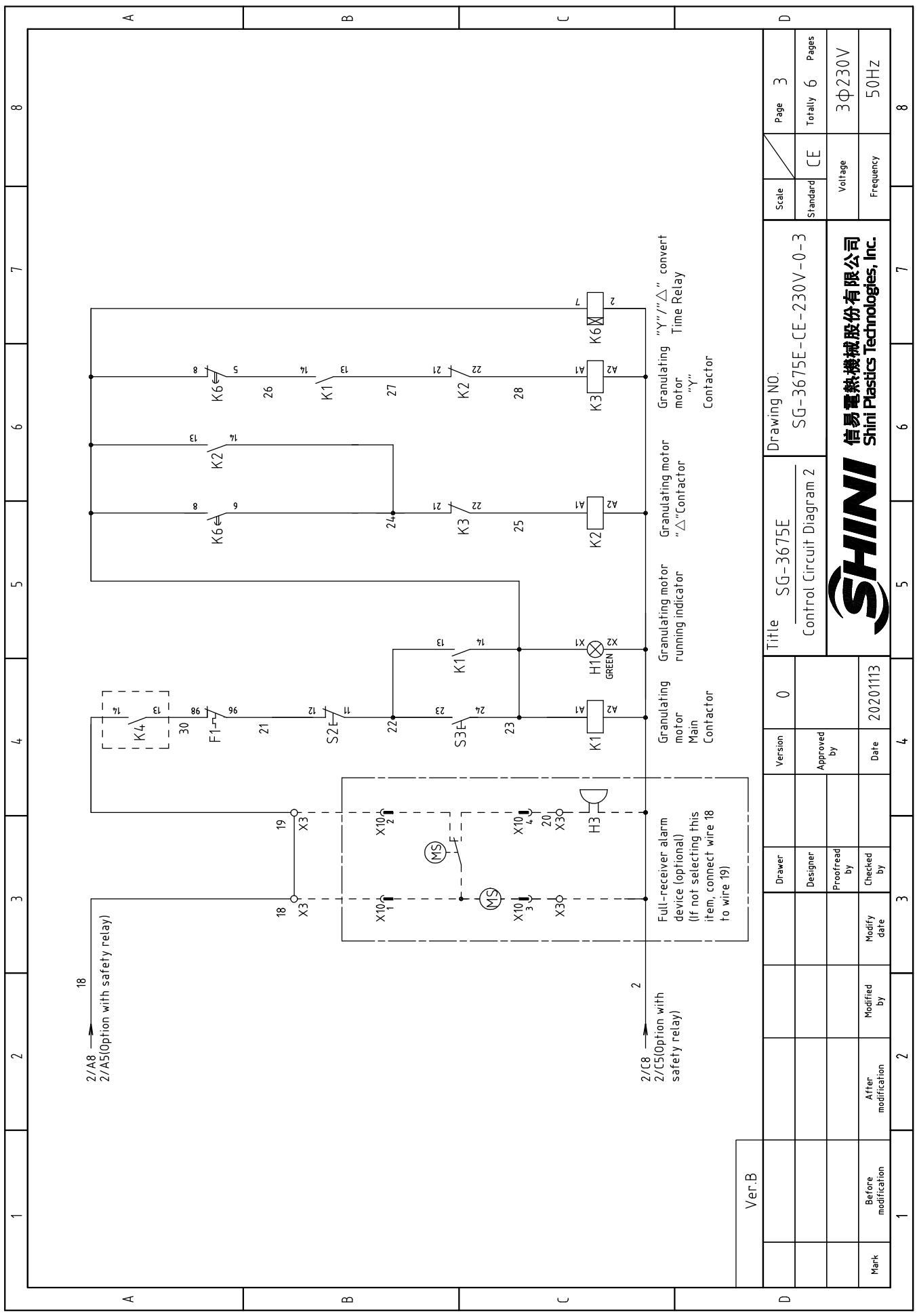
A B C D



Picture 1
When operation is
with optional safety relay.

Picture 2
When operation without
optional safety relay.

Mark	Before modification	Modified by	Modify date	Checked by	Date	20201113	Approved by	Version	0	Title	Drawing NO.		Page 2	
	After modification	Ver.B	SG-3675E								Standard	Scale		
											CE	Totally 6	Pages	
											Voltage	3Φ230V		
											Frequency	50HZ		
											SG-3675E-CE-230V-0-2		8	
											SHINI		7	
											信易電熱機械股份有限公司		6	
											Shini Plastics Technologies, Inc.		5	

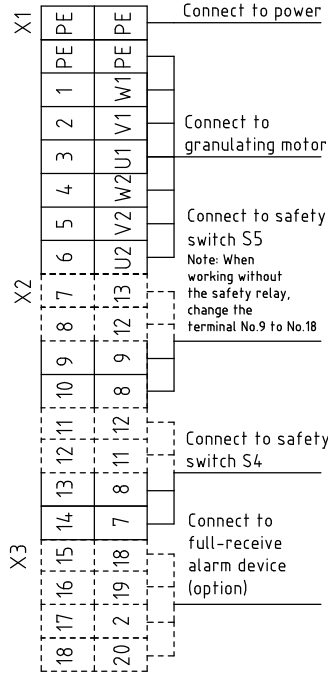
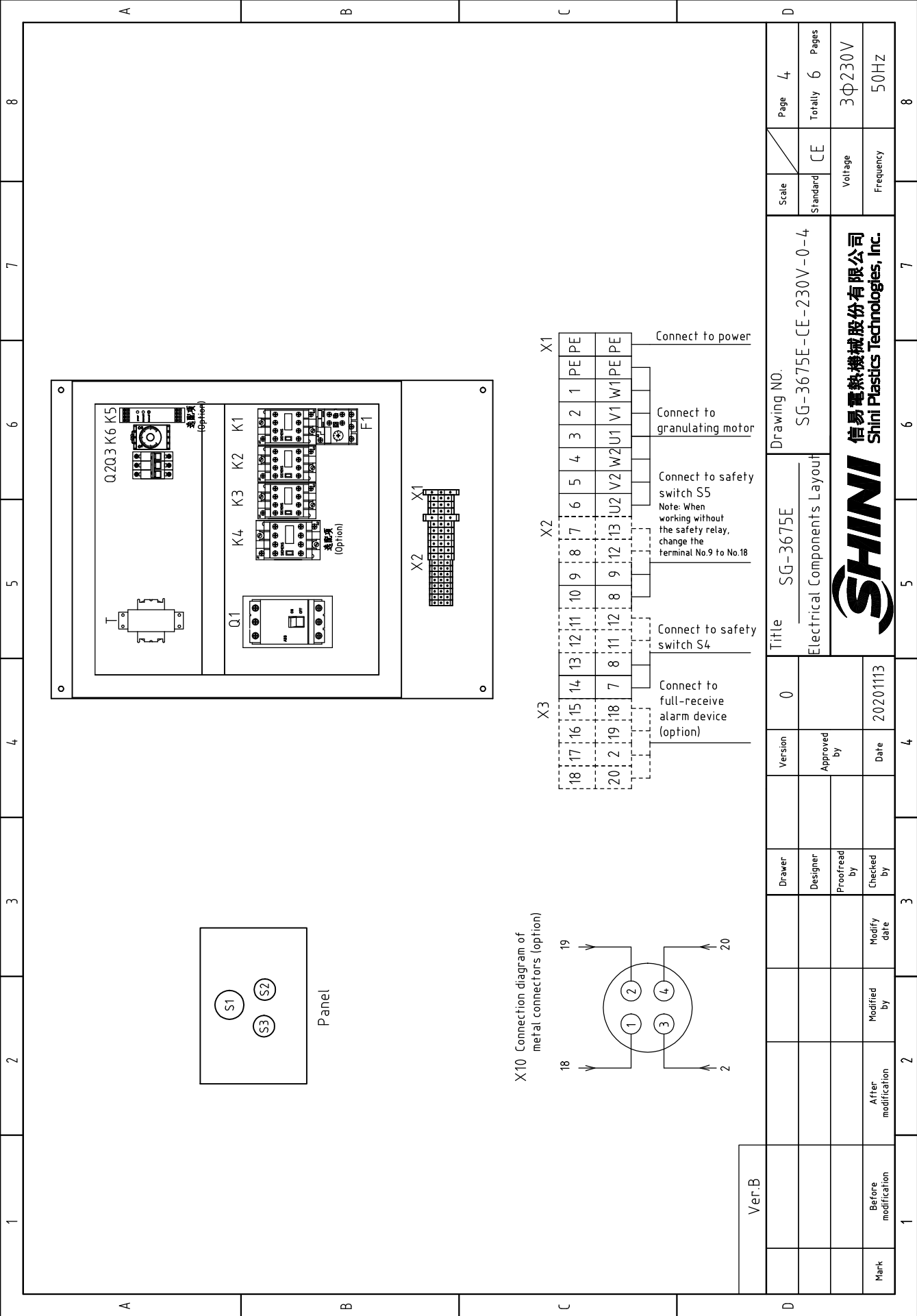


2/A8 →
2/A5 (Option with safety relay)

2/C8 →
2/C5 (Option with safety relay)

Ver.B								
Mark	Before modification	After modification	Modified by	Modify date	Checked by	Proofread by	Designer	Drawer
				20201113				
				Date	Approved by	Version	Title	
				20201113		0	SG-3675E	SG-3675E
							Control Circuit Diagram 2	Drawing NO.
							SG-3675E-CE-230V-0-3	Scale
							CE	Standard
								Page
								3
								Totally
								6
								Pages
								3Φ230V
								Frequency
								50HZ
								8

SHINI
 信易電熱機械股份有限公司
 Shini Plastics Technologies, Inc.



Ver.B	0		0	SG-3675E		SG-3675E-CE-230V-0-4		Scale	Page
	Drawer	Designer	Proofread by	Checked by	Electrical Components Layout		Standard	Totally	Pages
					Title		CE	6	6
Mark	Before modification	After modification	Modified by	Date	Drawing NO.		Voltage	Frequency	
				20201113	SHINI		3Φ230V	50HZ	8
					信易電熱機械股份有限公司 Shini Plastics Technologies, Inc.				

1	2		3	4	5	6	7	8
NO.	Symbol	Name	Manufacturer	Type	Specification	Number	Material number	Remark
1	Q1	Break interlock	ABB	A2B250TMF200/20003PFF	200A	1	YE44252200000	Delete
2	Q1	Break interlock	ABB	2B250TMF160	160A	1	YE44161500000	New
3	K1 K2	Contactor	SIEMENS	3RT5044-1AC20	65A 24VAC	2	YE00504402600	New
4		Auxiliary contactor	SIEMENS	3RH5921-1CA10	1N0	1	YE00592110000	
5	K3	Contactor	SIEMENS	3RT5036-1AC20	50A 24VAC	1	YE00503602600	
6	K4	Contactor	SIEMENS	3RT5054-1AP36	115A 24VAC	1	YE00505400900	(3)
7		Auxiliary Contactor	SIEMENS	3RH5921-1CA10	1N0	1	YE00592110000	(3) New
8		Auxiliary Contactor	SIEMENS	3RH5921-1CA10	1N0	2	YE00592110000	
9		Auxiliary Contactor	SIEMENS	3RH5921-1CA01	1NC	2	YE00592110100	
10		Auxiliary Contactor	SIEMENS	3RH5921-1CA01	1NC	1	YE00592110100	(3)
11	K5	Safety relay	PILZ	PN0Zx2.8P	24V AC/DC	1	YE04023000000	(3)
12	K6	Timer relay	YUYUN	TH3A-NAB	24VAC	1	YE86602400300	
13	F1	Overload relay	SIEMENS	3RU5146-4JB0	45-63A	1	YE01514640000	
14	FU1	Fuse	CHNT	RT16-32	2P	1	YE44032200000	Delete
15		Fuse-core	CHNT	10x38-500V ZA	2A	2	YE46002000400	Delete
16	FU2	Fuse	YINDA	FS-10	-----	1	YE44004000000	Delete
17		Glass-fuse	-----	6x30	5A	1	YE466305000400	Delete
18	Q2	Circuit breaker	TECO	BM-63C/2003S 2P	3A	1	YE40200203000	New
19	Q3	Circuit-breaker	TECO	BM-63C/1010S 1P	10A	1	YE40101000100	New
20	X1	Terminal board	Honeywell	35mm ² PE	-----	1	YE60003503500	
21			Honeywell	16mm ²	-----	6	YE60001603200	
22			Honeywell	16mm ² PE	-----	1	YE60001603500	
23	X2	Terminal board	Honeywell	2.5mm ²	-----	4	YE60002503200	
24			Honeywell	2.5mm ²	-----	4	YE60002503200	(3)
25	X3	Terminal board	Honeywell	2.5mm ²	-----	4	YE60002503200	(2)
Ver.B Notes: (1)Means it's not the material inside the control box. (2)Means optional accessories of full-receive alarm device. (3)Stand for optional safety relay.								
			Drawer	Version	Title	Drawing NO.		Page
			Designer	Approved by	SG-3675E	SG-3675E-CE-230V-0-5		5
			Proofread by		Electrical Components List 1		Standard	Totally
			Checked by	Date			CE	6
			Modified by	2020113			Voltage	Pages
			After modification				Frequency	3φ230V
Mark	Before modification							50HZ
1	2	3	4	5	6	7	8	



信易電熱機械股份有限公司
Shini Plastics Technologies, Inc.

1		2		3		4		5		6		7		8	
NO.	Symbol	Name	Manufacturer	Type	Specification	Number	Material number	Remark							
26	S1	Emergency stop button	SCHNEIDER	XB2BS542C	400VAC	1	YE11254200000	(1)							
27		Contact block	SCHNEIDER	ZB2BE102C	1NC	1	YE00210203100	(1)(3)							
28	S2	Stop button	SCHNEIDER	XB2BA22C	400VAC	1	YE11222000000	(1)							
29	S3,H1	Start button (with light)	SCHNEIDER	XB2BW33B1C	24VAC	1	YE112333100000	(1)							
30		Contact block	SCHNEIDER	ZB2BE101C	1NO	1	YE00210103100	(1)(3)							
31	T	Transformer	-----	IN=230V/200V OUT=24V	230VA	1	YE70023006100	New							
32	T	Sensor transformer	-----	IN=230/200V OUT=24VAC	300VA	1	YE70023005000	(3)New							
33	T	Transformer	BAYUN	IN=230V/OUT=24V	230VA	1	YE70023005700	Delete							
34	S4,S5	Safety switch	SCHMERSRC	AZ15-02ZVRK-1476	AZ-15	2	YE16147600100	(1)							
35	S4,S5	Safety switch	SCHMERSRC	AZ16-02ZVRK-1476	AZ-16	2	YE16147600000	(1)(3)							
36	H3	Buzzer	TEND	EA-2	24VAC	1	YE84240200000	(1)(2)							
37	MS	Material level switch	SIPAI	SR-80	24VAC	1	YE15802400100	(1)(2)							
38	X10	Metal connector	APEX	PLT-254-PM	4P	1	YE68025400000	(1)(2)							
39			APEX	PLT-254-RF	4P	1	YE68025400100	(1)(2)							
40	M1	Granulating motor	-----	30kW	230V 50Hz	1	-----	(1)							
Ver.B Notes: (1)Means it's not the material inside the control box. (2)Means optional accessories of full-receive alarm device. (3)Stand for optional safety relay.															
		Title		SG-3675E		Drawing NO.		SG-3675E-CE-230V-0-6		Scale		Page		6	
		Electrical Components List 2		Version		0		Standard		CE		Totally		6 Pages	
Mark		Before modification		Modified by		Modify date		Checked by		Date		Voltage		3φ230V	
		After modification		2020113						Frequency		50HZ			
1		2		3		4		5		6		7		8	



信易電熱機械股份有限公司
Shini Plastics Technologies, Inc.