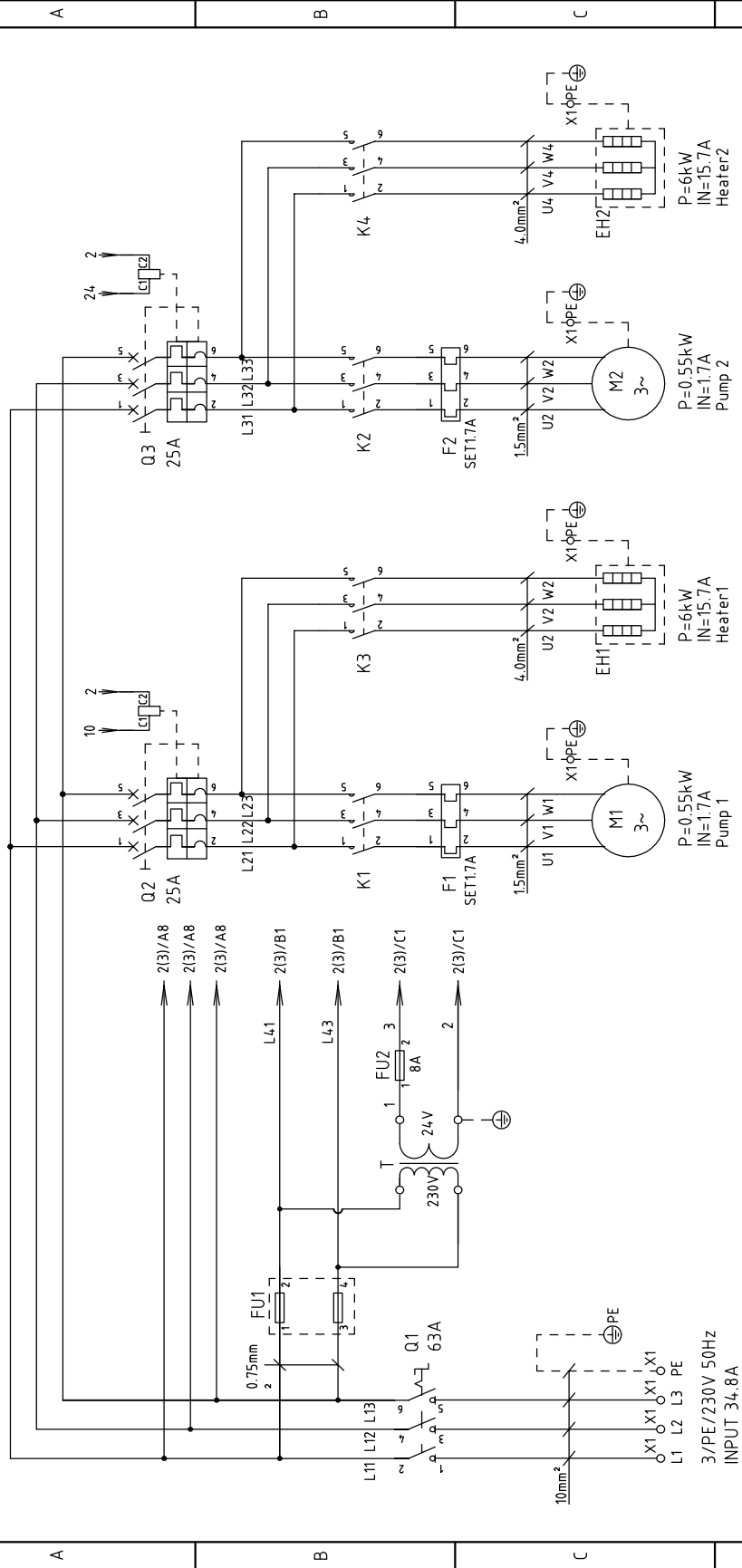


1 2 3 4 5 6 7 8

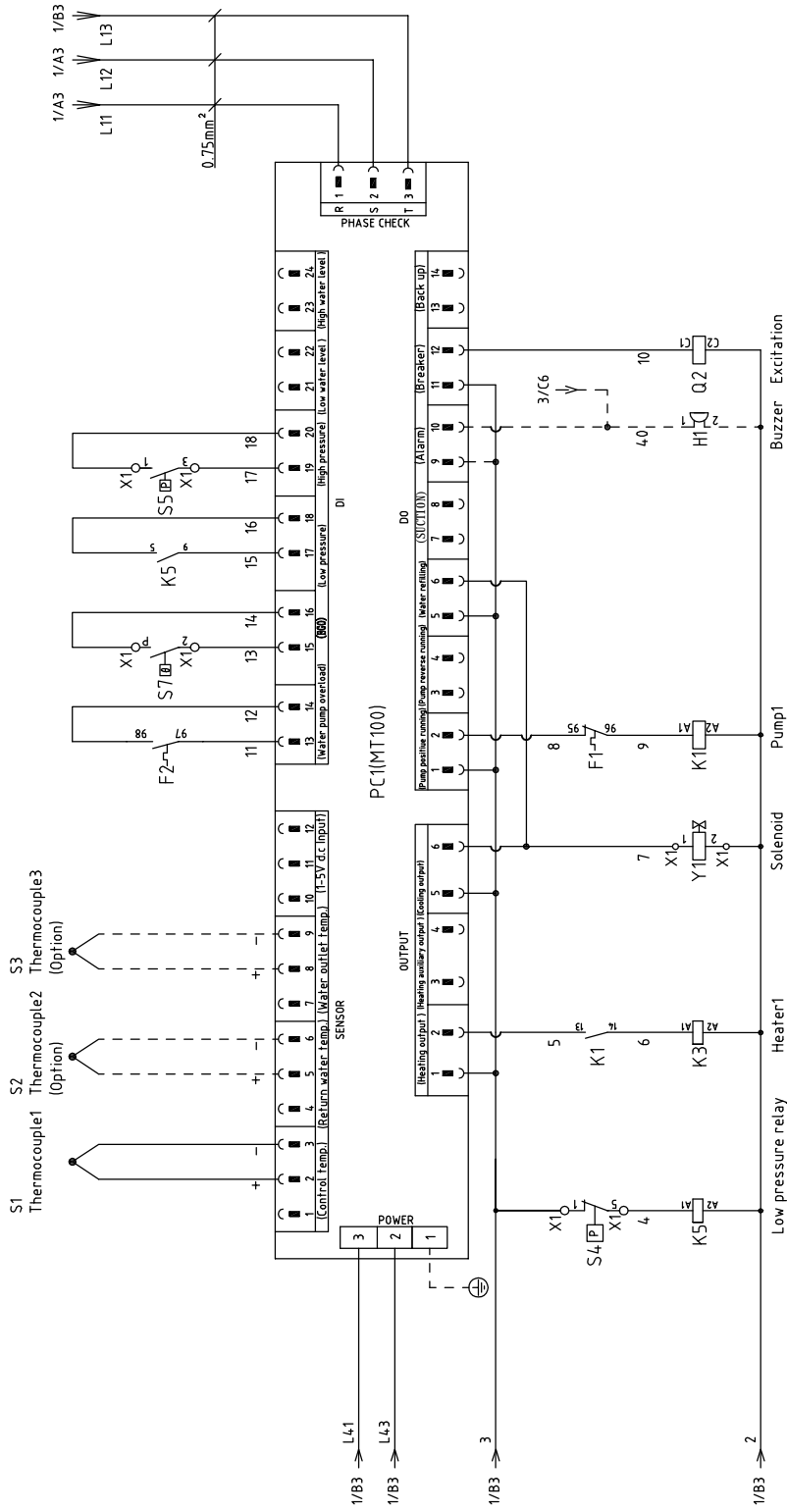


STM-607W-D	版本 Ver.D
STM-607MW-D	版本 Ver.B

When equipped with magnetic pump F1:SET 1.7A P=0.55KW IN=1.7A
 When equipped with magnetic pump F2:SET 1.7A P=0.55KW IN=1.7A

Title		Drawing No.	
Version	STM-607W-D	Scale	Page 1
Designer	Main Circuit Diagram	Standard	Totally 7 Pages
Proofread by		Voltage	230V
Checked by		Frequency	50Hz
Modify Date		SHINI 信易电热机械股份有限公司 Shini Plastics Technologies, Inc.	
Mark	Before modification	After modification	
	20160720	Date	20160720

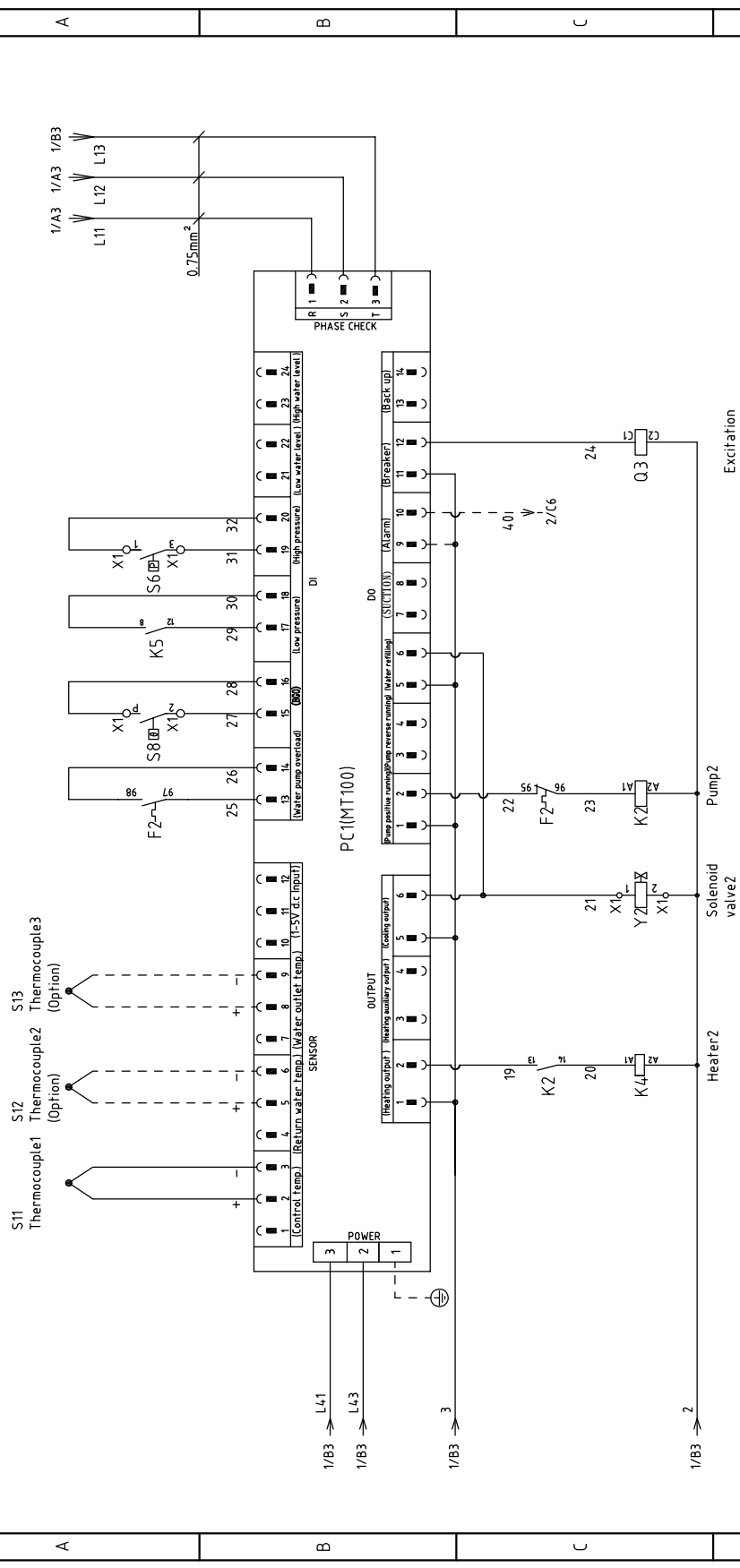
1 2 3 4 5 6 7 8



STM-607W-D 版本 Ver.D
 STM-607MW-D 版本 Ver.B

Mark	Before modification	Modified by	Modify date	Checked by	Date	20160720
Designer		Proofread by		Approved by		
Version	F					
Title	STM-607W-D Control Circuit Diagram 1					
Drawing No.	STM-607W-D-CE-230V-F-2					
Scale	CE	Standard	CE	Page 2	Totally 7	Pages
Voltage	230V		Frequency	50Hz		



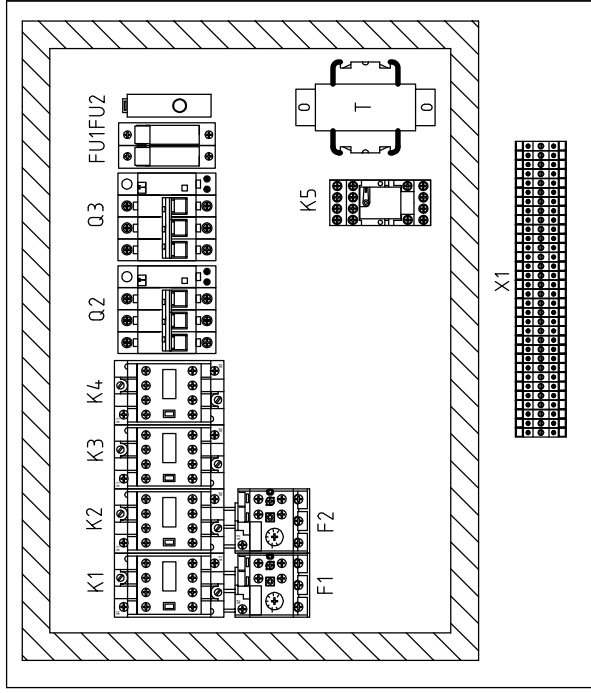
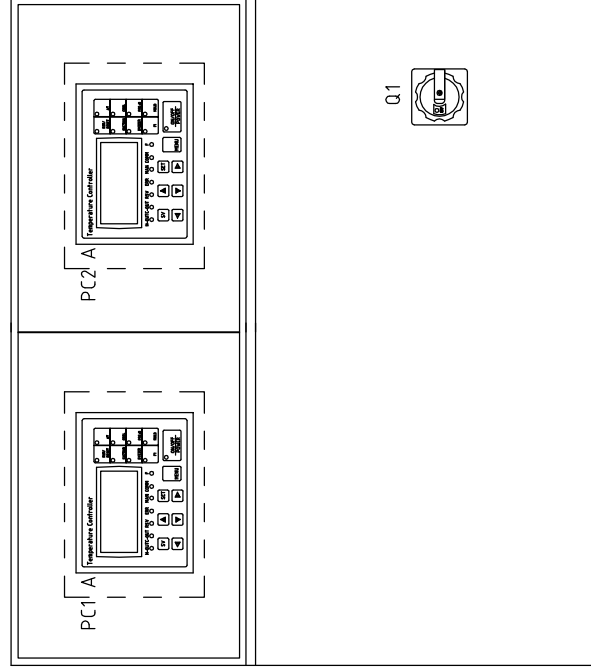


STM-607W-D	版本	Ver.D
STM-607MW-D	版本	Ver.B

Scale	Page	3
Standard	Totally	7
Voltage	Frequency	230V 50Hz
Drawing NO. STM-607W-D-CE-230V-F-3		
Title STM-607W-D Control Circuit Diagram 2		
Version	Approved by	
Designer	Proofread by	
Modify date	Checked by	20160720
Before modification	After modification	
Mark	Modify date	



1 2 3 4 5 6 7 8



A B C D

STM-607W-D 版本 Ver.D
STM-607MW-D 版本 Ver.B

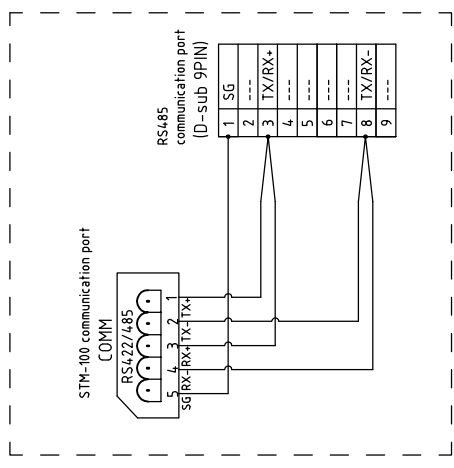
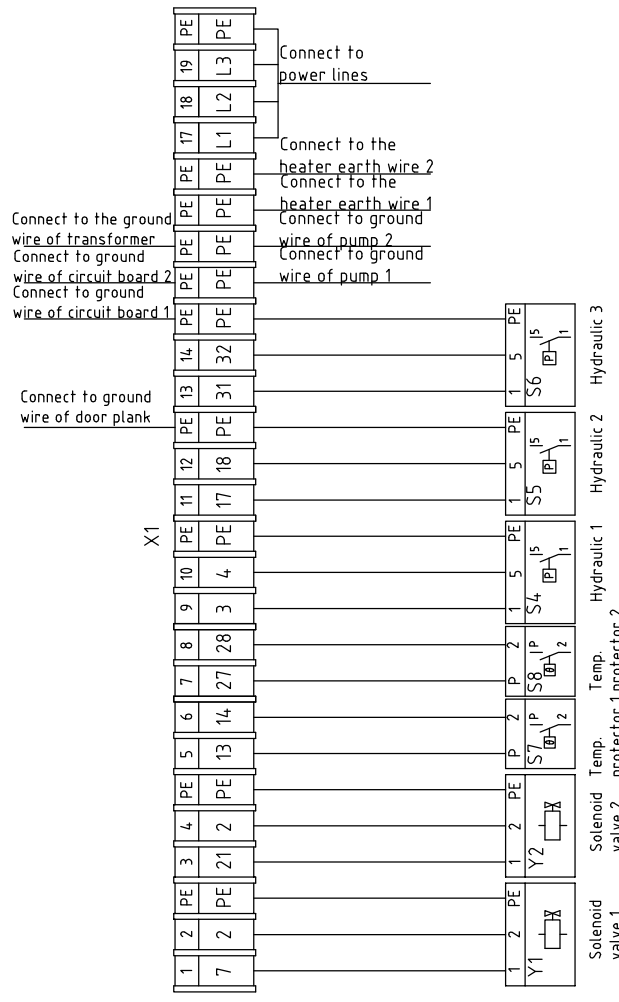
Title		Drawing NO.		Scale	Page
STM-607W-D		STM-607W-D-CE-230V-F-4		Standard	4
Electrical Components Layout		CE		Voltage	
				230V	
				Frequency	
				50Hz	
Version		Approved by		Totally	
F				7	
Date		Date		Pages	
20160720		20160720		7	
Modified by		Checked by		Voltage	
				230V	
Before modification		Modify date		Frequency	
				50Hz	

SHINI
信易电热机械股份有限公司
Shini Plastics Technologies, Inc.

1 2 3 4 5 6 7 8

1 2 3 4 5 6 7 8

Technical requirements: (1) Positive (+) and negative (-) poles of thermocouple should be directly connected to thermocouple's input terminal of temperature controller. There is no need for them to go through the terminal board.
 (2) Pump and pipe heater should be directly connected to the output terminals of contactor and thermal overload relay, e output terminals of contactor and thermal overload relay.



RS485 Communications wiring diagram
 Note: this figure is only for reference which is no need of wiring.

STM-607W-D 版本 Ver.D		Drawing NO.		Scale	Page
STM-607MW-D 版本 Ver.B		STM-607W-D		Standard	Totally
		Terminal Connection Diagram		CE	7
		Title		Voltage	
		Version		Frequency	
		Approved by		230V	
		Date		50Hz	
		Hydraulic 1			
		Hydraulic 2			
		Hydraulic 3			
		Solenoid valve 1			
		Solenoid valve 2			
		Temp. protector 1			
		Temp. protector 2			
		Before modification			
		After modification			
		Mark			



1		2		3		4		5		6		7		8	
NO.	Symbol	Name	Manufacturer	Type	Specification	Number	Material number	Remark							
1	Q1	Main Switch	EATON	P3-63/EA/SVB	63A	1	YE10636300000								
2	Q2 Q3	Circuit Breakers	TECO	BM-63C	25A	2	YE40302503000								
3		Excitation Release	YECO	MX	24VAC	2	YE40024000000								
4	K1 K2	Contactors	SIEMENS	3RT6015-1AB01	24VAC	2	YE00601502500								
5	K1 K2	Contactors	SIEMENS	3RT6015-1AB01	24VAC	2	YE00601502500	(4)							
6	K3 K4	Contactors	SIEMENS	3RT6026-1AC20	24VAC	2	YE00602602600								
7	K5	Middle Relay	HONEYWELL	GR-2C-AC24V	24VAC	1	YE03022400300								
8	F1 F2	Thermo Overload Relays	SIEMENS	3RU6116-1BB0	1.4-2A	2	YE01160140000								
9	F1 F2	Thermo Overload Relays	SIEMENS	3RU6116-1BB0	1.4-2A	2	YE01160140000	(4)							
10	T	Transformer	BAIYUN	IN=230V OUT=24VAC	180VA	1	YE70023005600								
11	FU1	Fuse Base	CHNT	RT18-32	32A 2P	1	YE41032200000								
12	FU2	Fuse Core	MRO	10×38 500V	2A	2	YE46002000100								
13	FU2	Fuse	YINDA	FS-10	----	1	YE41001000000								
14		Fuse Core	----	6×30/8A	8A	1	YE46863000200								
15	PC1 A PC2 A	Circuit Board	HANYOUNGX	STM100-21	180~430V 50/60Hz	2	YE81184300200								
16	H1	Buzzer	APT	AD16-30M/W	24VAC	1	YE84163000000	(2)							
17	S1 S11	Thermocouple	SHINI	----	----	2	----	(1)							
18	S2 S3 S12 S13	Thermocouple	SHINI	----	----	4	----	(1)(3)							
19	S7 S8	Overheat Protector	TONCEAO	----	----	2	----	(1)							
20	S4 S5 S6	Hydraulic Switch	FANSHEN	----	----	3	----	(1)							
21	Y1 Y2	Solenoid Valve	----	----	24VAC	2	----	(1)							
22	X1	Terminal Board	HONEYWELL	2.5mm ²	----	14	YE60002503200								
23		Terminal Board	HONEYWELL	2.5mm ² PE	----	7	YE60002503400								
24		Terminal Board	HONEYWELL	4.0mm ² PE	----	2	YE60000403500								
STM-607W-D 版本		Notes: (1)Means it's not the material inside the control box.(2)Means it's equipped with buzzer.(3)Means equipped with function of displaying water outlet and return water temperature													
STM-607MW-D 版本		(4)Means equipped with magnetic pump.													
		Drawer		Version		F		Title		Drawing NO.		Scale		Page	
								STM-607W-D		STM-607W-D		CE		6	
		Designer		Approved by				Electrical Components List 1		STM-607W-D-CE-230V-F-6		Voltage		230V	
		Proofread by										Frequency		50Hz	
Mark		Before modification		Modified by		Modify date		Date		20160720					
1		2		3		4		5		6		7		8	



1		2		3		4		5		6		7		8	
NO.	Symbol	Name	Manufacturer	Type	Specification	Number	Material number	Remark							
25		Terminal Board	HONEYWELL	10.0mm ²	----	3	YE60001003200								
26		Terminal Board	HONEYWELL	10.0mm ² PE	----	1	YE60001003500								
27	M1 M2	Motor	SHINI	TP-55	230V 50Hz 0.55kW	2	----	(1)							
28	M1 M2	Motor	SHINI	MP-55	230V 50Hz 0.55kW	2	----	(1)(4)							
29	EH1 EH2	Heater	SHINI	6kW	230V 50Hz	2	----	(1)							
A															
B															
C															
D															
STM-607W-D 版本 Ver.D		Notes: (1)Means it's not the material inside the control box.(2)Means it's equipped with buzzer.(3)Means equipped with function of displaying water outlet and return water temperature													
STM-607MW-D 版本 Ver.B		(4)Means equipped with magnetic pump.													
		Version		F		Title		Drawing NO.		Scale		Page		7	
		Approved by				STM-607W-D		STM-607W-D-CE-230V-F-7		Standard		CE		Totally 7	
		Designer		Proofread by		Electrical Components List 2				Voltage		230V			
		Checked by		Date				20160720		Frequency		50Hz			
Mark		Before modification		After modification		Modified by		Modify date							
1		3		4		5		6		7		8			

