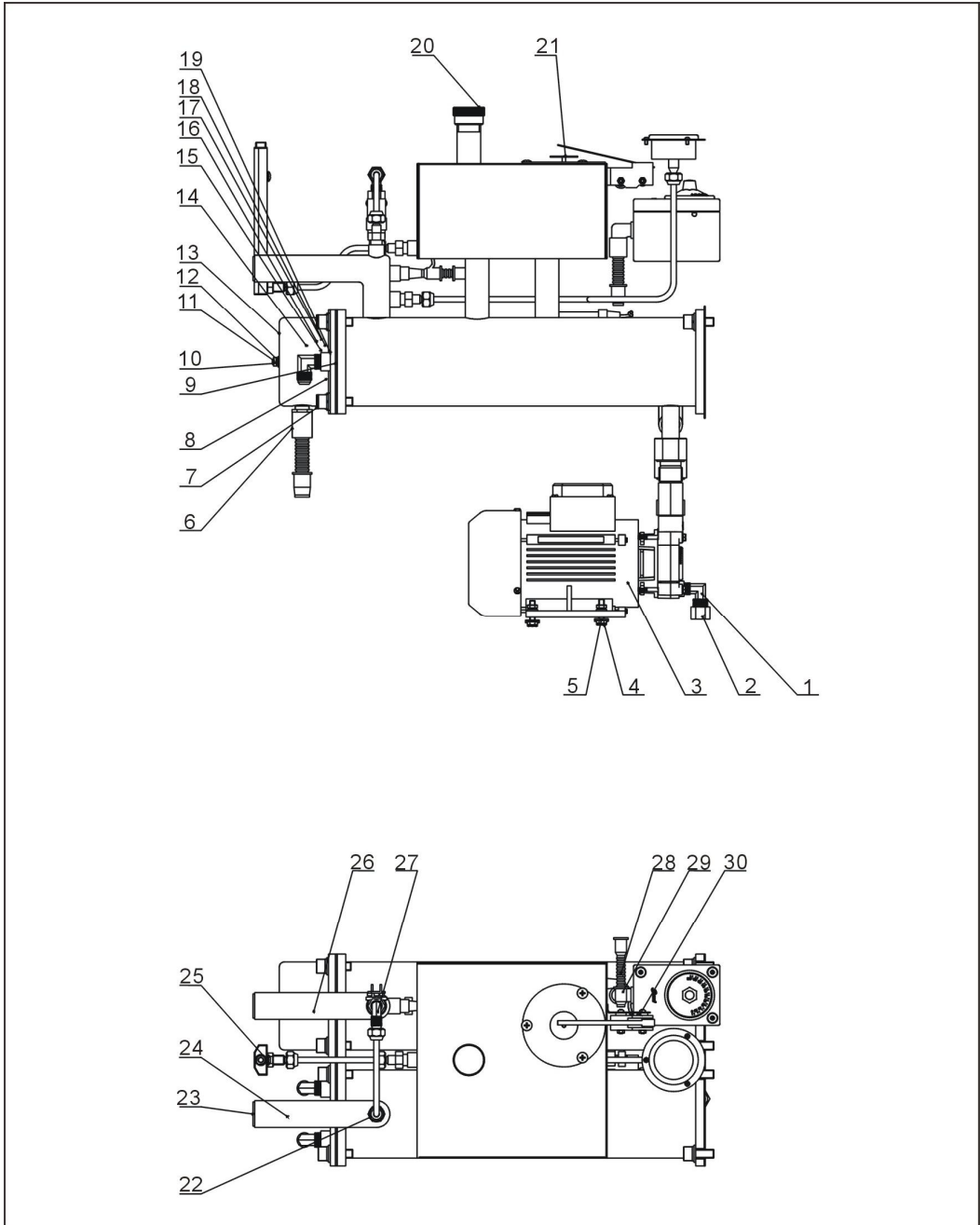
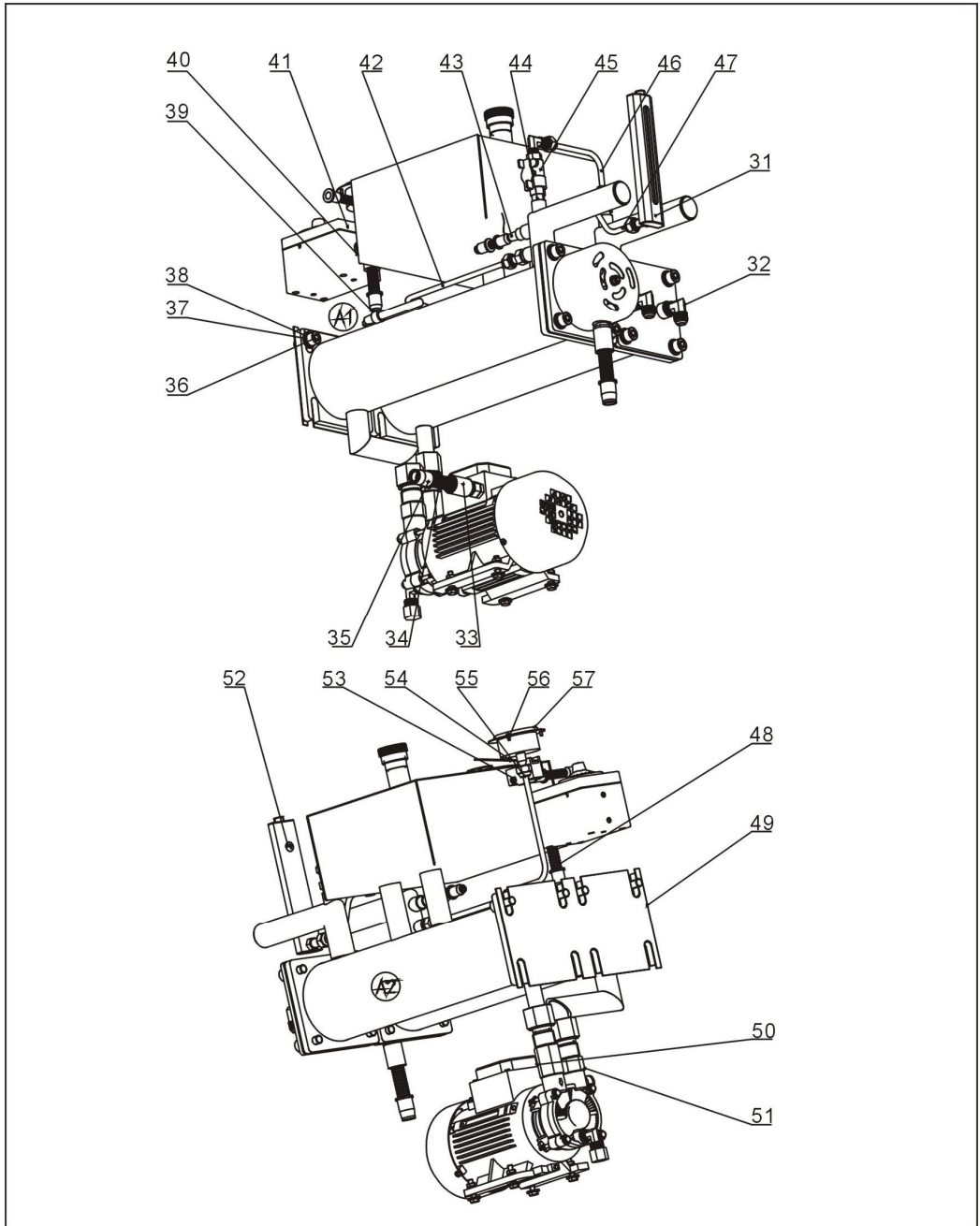


1. Right Assembly Drawing (STM-607/607D)



Remarks: Please refer to material list 2 for specific explanation of the Arabic numbers in parts drawing.



Remarks: Please refer to material list 2 for specific explanation of the Arabic numbers in parts drawing.

2. Parts List (STM-607/607D)

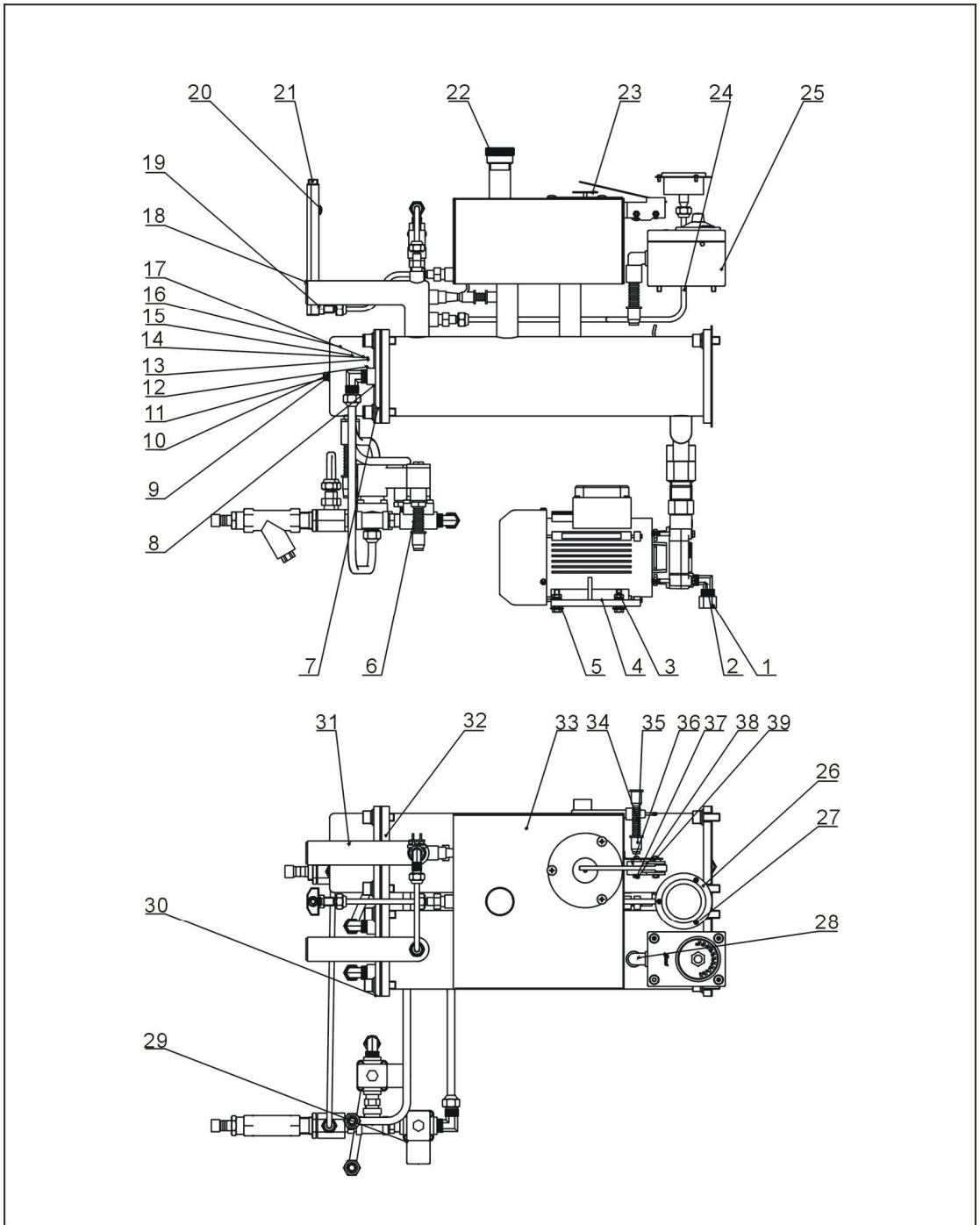
No.	Name	Part No.	No.	Name	Part No.
1	Copper teflon pipe connection	YW04030800400	30	Heat insulation pad of liquid level sensor	S-109
2	Teflon pipe plug	S-171	31	Liquid level indicator assembly *	--
3	TP-55 pump*	BM20005500650	32	Copper teflon connection	YW04030800600
4	Hexagon screw bolt M6x25	YW60062500000	33	Quick hose connector	YE67111000000
5	Flat washer A 8	YW66081900000	34	Nylon hose	YE66015800000
6	Quick hose connector	YE67165800000	35	Hose bulkhead	YE67015800100
7	Inner hexagon cylindrical screw M10x30	YW61103000100	36	Inner hexagon cylindrical screw M10x25	YW61102500000
8	Pipe heater assembly *	--	37	Standard spring washer 10	YW65010000000
9	Flexible graphite washer*	YR20121200000	38	Flat washer A 10	YW66102000100
10	Standard spring washer 6	YW65060000000	39	Hose bulkhead	YE67001340000
11	Hexagon nut M6	YW64000600300	40	Right-angle quick connector of hose	YE6016130000
12	Flat washer 6	YW66061300000	41	High temp. tester *	BH90115000050
13	Electric heating pipe cover	S-190	42	Pressure gauge	--
14	Safety ceramic cap 3/16	YP51031640000	43	thermocouple*	BE90341500050
15	Copper pad	YW66523400000	44	Copper teflon pipe connection	S-08
16	Standard spring washer 5	YW65050000000	45	Butterfly ball valve	YW50220000000
17	Flat washer 5	YW66051300000	46	Oil by pass pipe	--
18	Plastic plug 4" single-hole red	YR30000400100	47	Liquid level indicator pipe	--
19	Cooling pipe assembly*	--	48	Nylon hose	YE66001300000
20	Aluminum oil cap	S-30	49	Heat insulation cotton of heating tank mounting plate	--
21	Float ball	--	50	Copper trumpet connector	S-03
22	Copper teflon pipe connection	BH12010400410	51	Copper trumpet connector	S-02
23	Plastic plug without nut	YR40251500100	52	Cross socket flat-head screw M5x10	YW62051000100
24	Cooling tank and oil tank	--	53	Hexagon nut M4	YW64000400500
25	Liquid level indicator nut	S-82	54	Microswitch*	YE14152400000
26	Heating tank	--	55	Cross recessed pan head screw M4x25	YW63042500000
27	Tonflon pipe male thread elbow	YW04010400400	56	Cross recessed pan head screw M3x6	YW63030600000
28	nylon hose	YE66001040000	57	Pressure gauge*	YW85001000100
29	Hose bulkhead	YE67001000000			

* means possible broken parts.

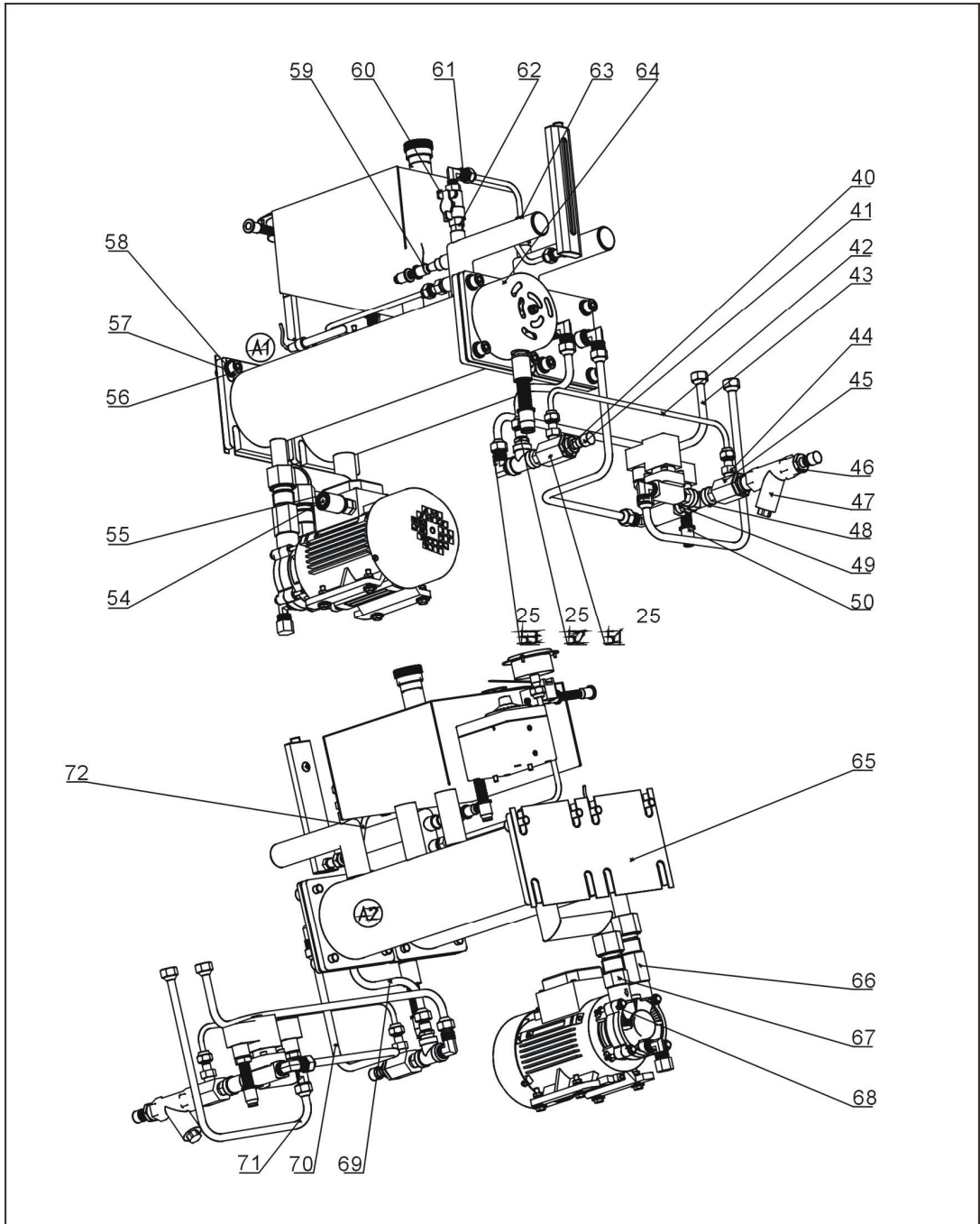
** means easy broken part. and spare backup is suggested.

Please confirm the version of manual before placing the purchase order to guarantee that the item number of the spare part is in accordance with the real object.

3. Left Assembly Drawing (STM-607/607D)



Remarks: Please refer to material list 4 for specific explanation of the Arabic numbers in parts drawing.



Remarks: Please refer to material list 4 for specific explanation of the Arabic numbers in parts drawing.

4. Parts List (STM-607/607D)

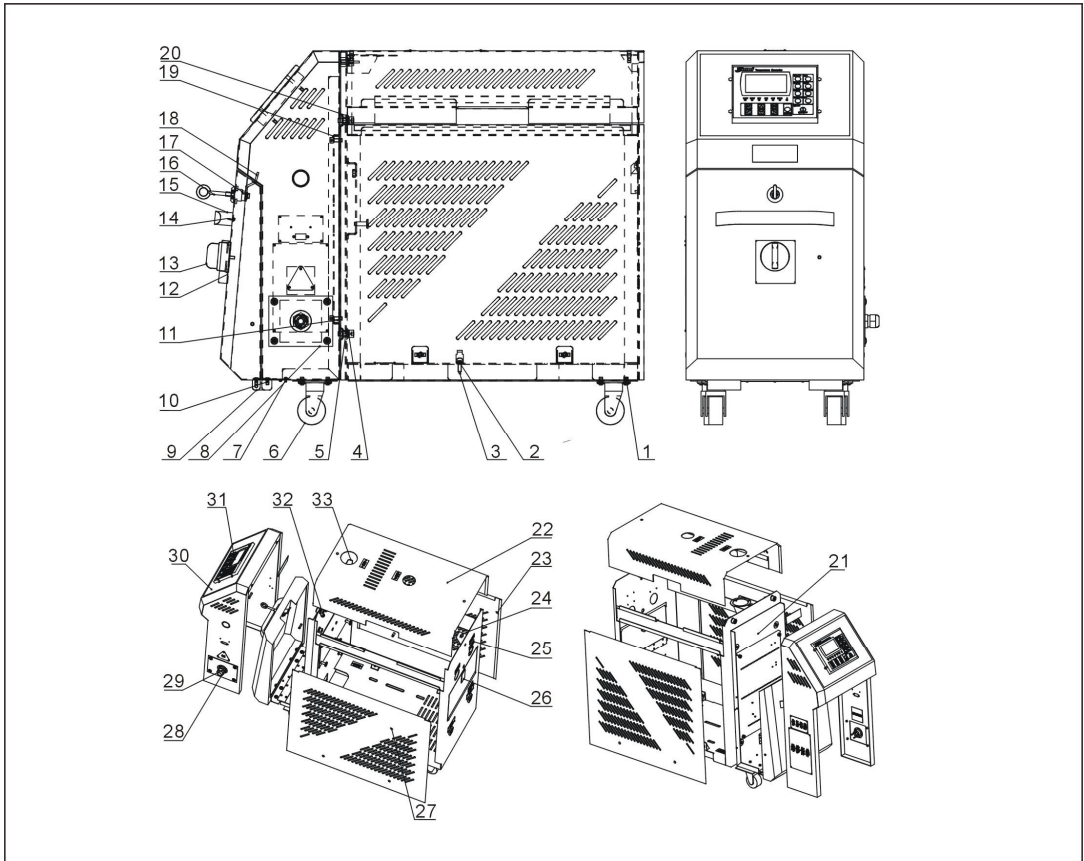
No.	Name	Part No.	No.	Name	Part No.
1	Teflon pipe plug	S-171	37	Hexagon nut M4	YW64000400500
2	Copper teflon connection	YW04030800400	38	Cross recessed pan head screw M4x25	YW63042500000
3	Hexagon screw bolt M6x25	YW60062500000	39	Heat insulation pad of liquid level sensor	S-109
4	TP-55 pump*	BM20005500650	40	Universal copper nut	S-136
5	Flat washer A 8	YW66081900000	41	Copper plug	YR30010200000
6	Nylon hose	YE66001300000	42	Water by-pass pipe	--
7	Inner hexagon cylindrical screw M10x30	YW61103000100	43	Water right outlet of cooling water	--
8	Pipe heater assembly*	--	44	Copper teflon pipe connection	BH12010400410
9	Flat washer A 6	YW66061300000	45	The fourth set of copper connection	S-142
10	Standard spring washer 6	YW65060000000	46	Copper joint	S-73
11	Hexagon nut M6	YW64000600300	47	Y type waster strainer *	YW57010200000
12	Copper pad	YW66523400000	48	3/8" stainless steel three-way	YW52030800000
13	Plastic plug 4" single-hole red	YR30000400100	49	Copper pipe coupler	S-07
14	Flat washer A 5	YW66051300000	50	Hose bulkhead	YE67001340000
15	Safety ceramic cap 3/16	YP51031640000	51	The second set of copper connection	S-20
16	Electric heating pipe cover	S-190	52	Tonflon pipe male thread connector	BH12030800610
17	Standard spring washer 5	YW65050000000	53	Copper teflon connection	YW04030800600
18	Plastic plug without nut	YR40251500100	54	Nylon hose	YE66015800000
19	Liquid level indicator nut	S-82	55	Hose bulkhead	YE67015800100
20	Cross socket flat-head screw M5x10	YW62051000100	56	Inner hexagon cylindrical screw M10x25	YW61102500000
21	Liquid level indicator assembly *	--	57	Flat washer A 10	YW66102000100
22	Aluminum oil cap	S-30	58	Standard spring washer 10	YW65010000000
23	Float ball	--	59	Thermocouple*	BE90341500050
24	Pressure gauge	--	60	Butterfly ball valve	YW50220000000
25	High temp. tester *	BH90115000050	61	Tonflon pipe male thread elbow	YW04010400400
26	Pressure gauge*	YW85001000100	62	Copper teflon pipe connection	S-08
27	Cross recessed pan head screw M3x6	YW63030600000	63	Oil by pass pipe	--
28	Right-angle quick connector of hose	YE60161300000	64	Flexible graphite pad *	YR20121200000
29	Solenoid valve*	YE32382400000	65	Heat insulation cotton of heating tank mounting plate	--
30	Cooling pipe assembly	--	66	Copper trumpet connector	S-03
31	Quick hose connector	YE67165800000	67	Copper trumpet connector	S-02
32	Heating tank	--	68	Quick hose connector	YE67111000000
33	Cooling tank and oil tank	--	69	Water left outlet of cooling water	--
34	Nylon hose	YE66001040000	70	Water left inlet of cooling water	--
35	Hose bulkhead	YE67001000000	71	Water right inlet of cooling water	--
36	Microswitch*	YE14152400000	72	Liquid level indicator pipe *	--

* means possible broken parts.

** means easy broken part. and spare backup is suggested.

Please confirm the version of manual before placing the purchase order to guarantee that the item number of the spare part is in accordance with the real object.

5. Assembly Drawing (STM-910/910D)



Remarks: Please refer to material list 6 for specific explanation of the Arabic numbers in parts drawing.

6. Parts List (STM-910/910D)

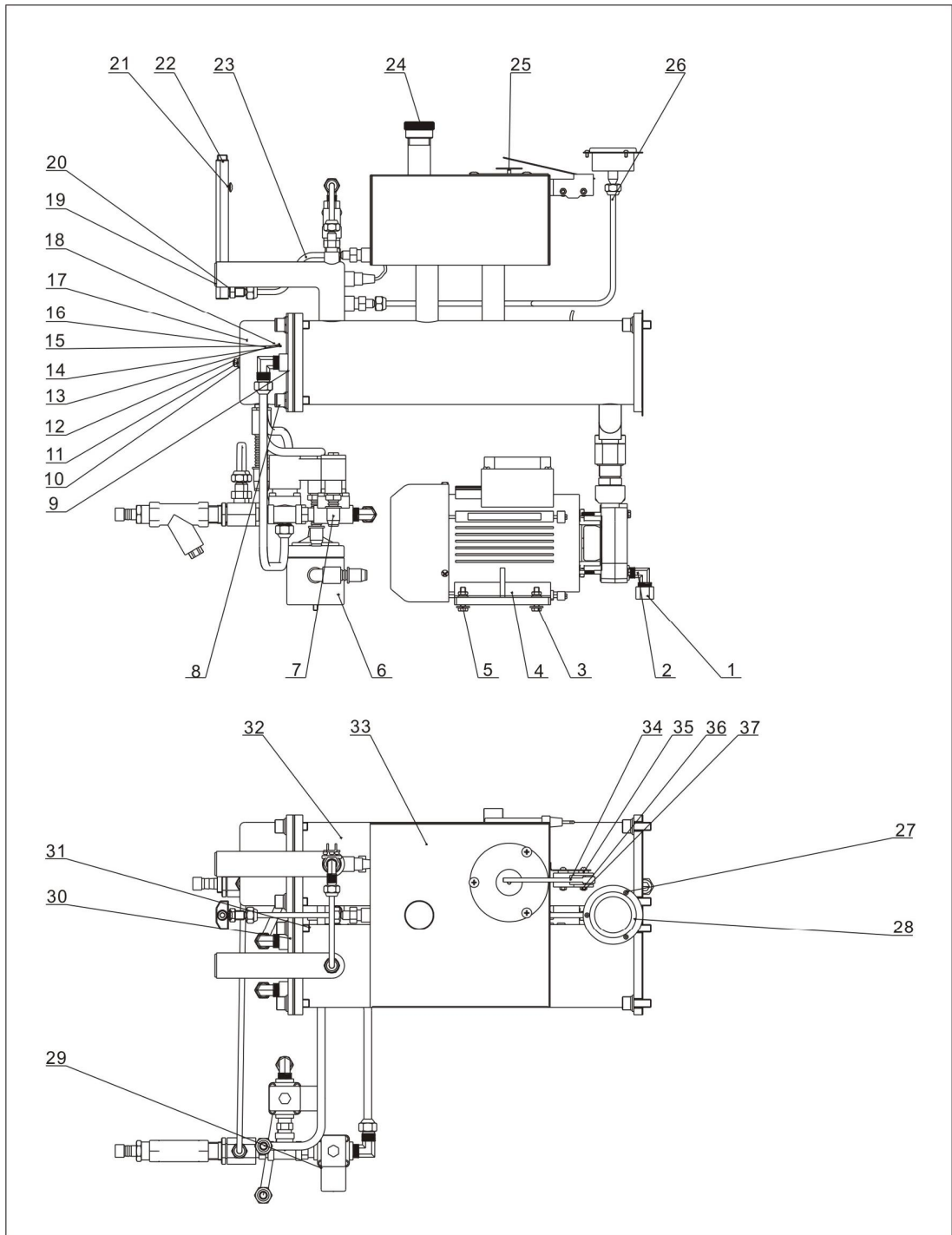
No.	Name	Part No.	No.	Name	Part No.
1	Cross socket flat-head screw M6x10	YW62061000000	18	Door lock long sheet	YW00040600000
2	Fixing base	YR40018500000	19	Base plate of control box	--
3	Cross recessed pan head self-drilling tapping screw ST4.8x19	YW67481900000	20	Flat gasket A 8	YW66081900000
4	Standard spring washer 8	YW65008000100	21	Control box rear plate	--
5	Inner hexagon cylindrical screw M8x20	YW61082001200	22	Cover plate	--
6	Castor	YW03000200000	23	Right side plate	--
7	Cross recessed pan head screw M3x6	YW63030600000	24	Spring bolt	YW01051000000
8	Wire fixture fixed plate	--	25	Rivet 2x5	YW69020500000
9	Big hinge	YW06219100000	26	Plastic flexible buckle	YR40523040000
10	Cross socket flat-head screw M5x10	YW62051000100	27	Left side plate	--
11	Inner hexagon cylindrical screw M6x16	YW61061601200	28	Power cable	BE51250400450
12	Door plank	--	29	Cable head	YE67002900000
13	Main power switch	YE10021160000	30	Control box	--
14	Cross recessed pan head screw M4x6	YW63040600000	31	Controller	YE81184300200
15	Door-plate aluminum handle	YW20660900100	32	Butterfly bolt M8x15	YW69081500000
16	Long door lock key	YW00040600200	33	Rack	--
17	Long door lock	YW00000000100			

* means possible broken parts.

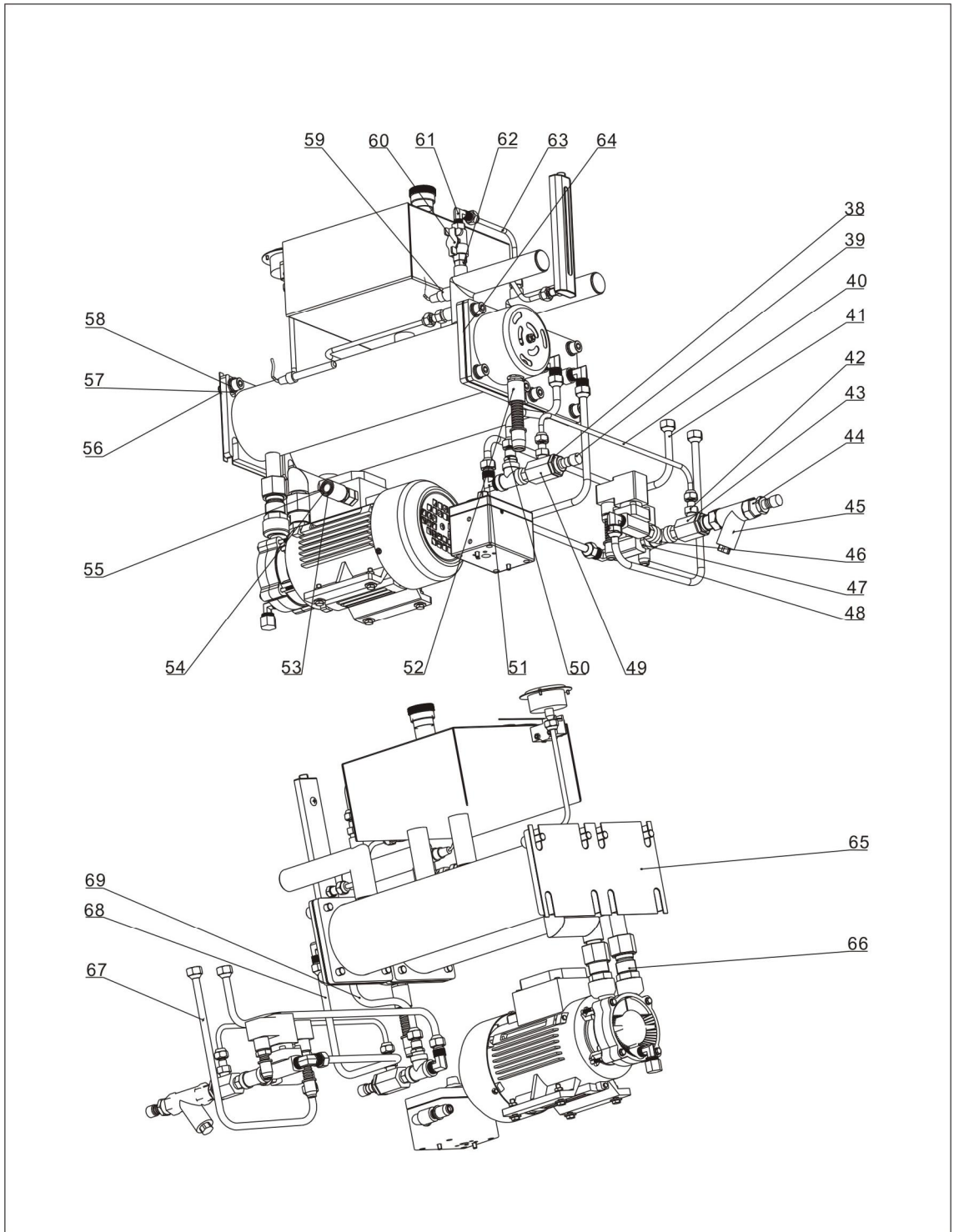
** means easy broken part. and spare backup is suggested.

Please confirm the version of manual before placing the purchase order to guarantee that the item number of the spare part is in accordance with the real object.

7. Left Internal Structure Diagram (STM-910/910D)



Remarks: Please refer to material list 8 for specific explanation of the Arabic numbers in parts drawing.



Remarks: Please refer to material list 8 for specific explanation of the Arabic numbers in parts drawing.

8. Left Internal Structure Parts List (STM-910/910D)

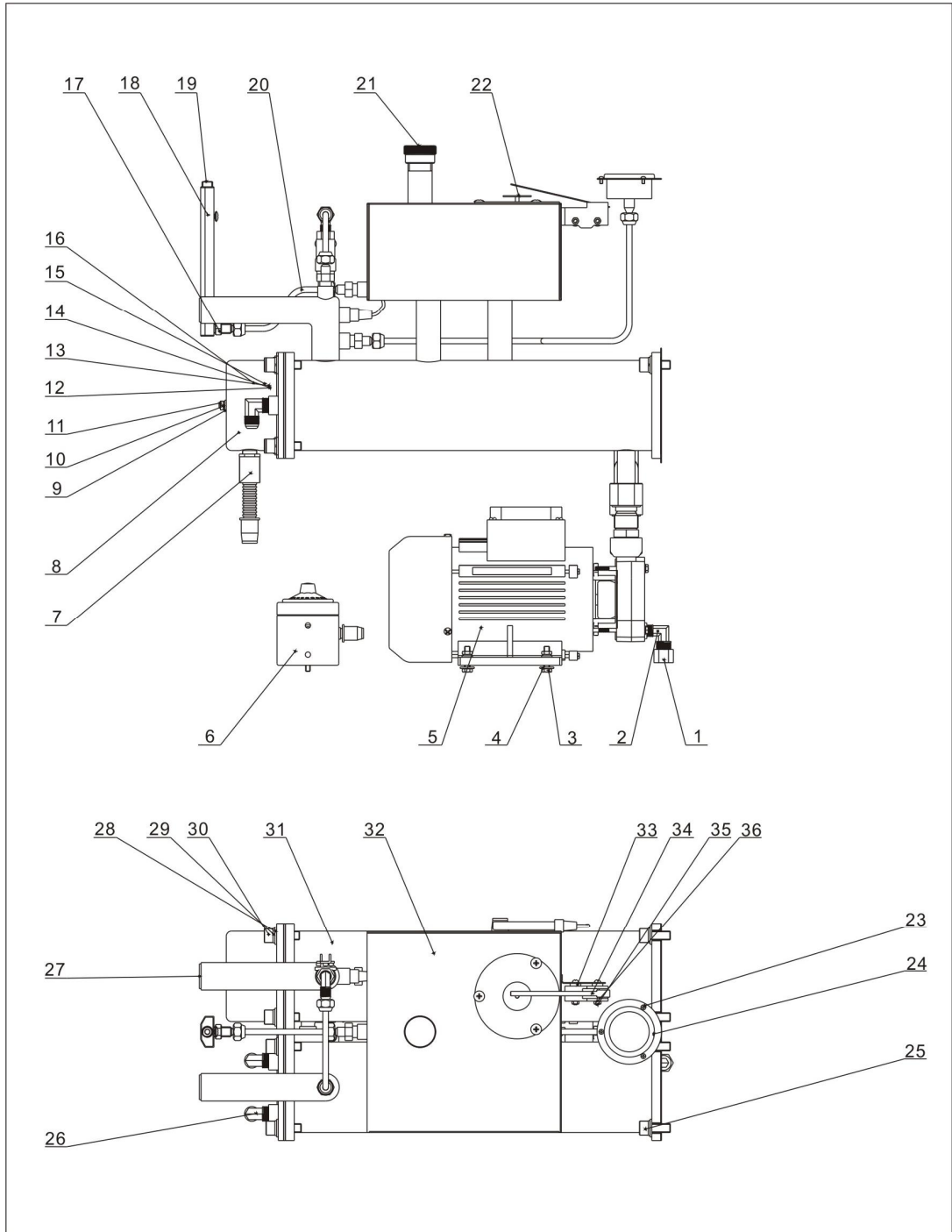
No.	Name	Part No.	No.	Name	Part No.
1	Teflon pipe plug	-	36	Hexagon nut M4	YW64000400500
2	Copper teflon connection	YW04030800400	37	Cross socket head cap screw	YW63042500000
3	Hexagon screw bolt M6x25	YW60062500000	38	Universal copper nut	-
4	TP-55 pump*	BM20007500550	39	Copper plug	YR30010200000
5	Flat washer A 8	YW66081900000	40	Water by-pass pipe	-
6	High temp. tester*	BH90115000050	41	Water right outlet of cooling water	-
7	Nylon hose	YE66001300000	42	Copper teflon pipe connection	BH12010400410
8	Inner hexagon cylindrical screw M10x30	YW61103000100	43	The fourth set of copper connection	-
9	Pipe heater assembly*	-	44	Copper joint	-
10	Flat washer A 6	YW66061300000	45	Y type waster strainer *	YW57010200000
11	Standard spring washer 6	YW65060000000	46	3/8" stainless steel three-way	YW52030800000
12	Hexagon nut M6	YW64000600300	47	Copper pipe coupler	-
13	Copper pad	YW66523400000	48	Hose bulkhead	YE67001340000
14	Plastic plug 4" single-hole red	YR30000400100	49	The second set of copper connection	S-20
15	Flat washer A 5	YW66051300000	50	Tonflon pipe male thread connector	BH12030800610
16	Safety ceramic cap 3/16	YP51031640000	51	Copper teflon connection	YW04030800600
17	Electric heating pipe cover	S-190	52	Quick hose connector	YE67165800000
18	Standard spring washer 5	YW65050000000	53	Nylon hose	YE66015800000
19	Plastic plug without nut	YR40251500100	54	Hose bulkhead	YE67015800100
20	Liquid level indicator nut	-	55	Quick hose connector	YE67111000000
21	Cross socket flat-head screw M5x10	YW62051000100	56	Inner hexagon cylindrical screw M10x25	YW61102500000
22	Liquid level indicator assembly*	-	57	Flat washer A 10	YW66102000100
23	Liquid level indicator pipe*	-	58	Standard spring washer 10	YW665010000000
24	Aluminum oil cap	-	59	Thermocouple*	BE90341500050
25	float ball	-	60	Butterfly ball valve	YW50220000000
26	Pressure gauge pipe	-	61	Tonflon pipe male thread elbow	YW04010500400
27	Cross socket head cap screw M3x6	YW63030600000	62	Pipe coupler	S-08
28	Pressure gauge	YW85001000100	63	Hot by-pass valve	-
29	Solenoid valve* 24V	YE32382400000	64	Flexible graphite pad**	YR20121200000
30	Cooling pipe assembly	-	65	Heat insulation cotton of heating tank mounting plate	-
31	Quick hose connector	YE60161300000	66	Copper connector	S-04
32	Heating tank	-	67	Water right inlet of cooling water	-
33	Cooling tank and oil tank	-	68	Water left inlet of cooling water	-
34	Microswitch*	YE14152400000	69	Water left outlet of cooling water	-
35	Heat insulation pad of liquid level sensor	-			

* means possible broken parts.

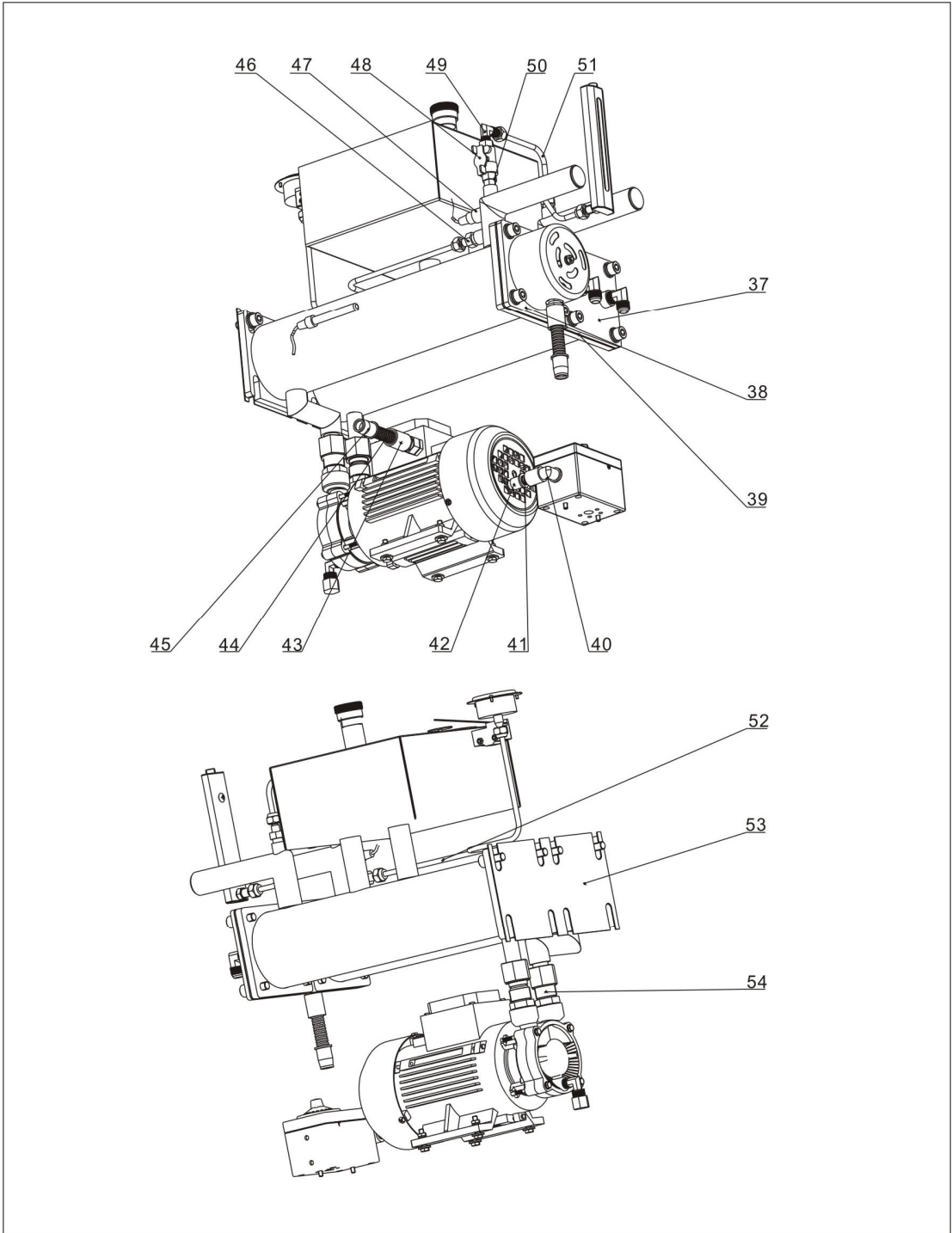
** means easy broken part. and spare backup is suggested.

Please confirm the version of manual before placing the purchase order to guarantee that the item number of the spare part is in accordance with the real object.

9. Right Internal Structure Diagram (STM-910/910D)



Remarks: Please refer to material list 10 for specific explanation of the Arabic numbers in parts drawing.



Remarks: Please refer to material list 10 for specific explanation of the Arabic numbers in parts drawing.

10. Right Internal Structure Parts List (STM-910/910D)

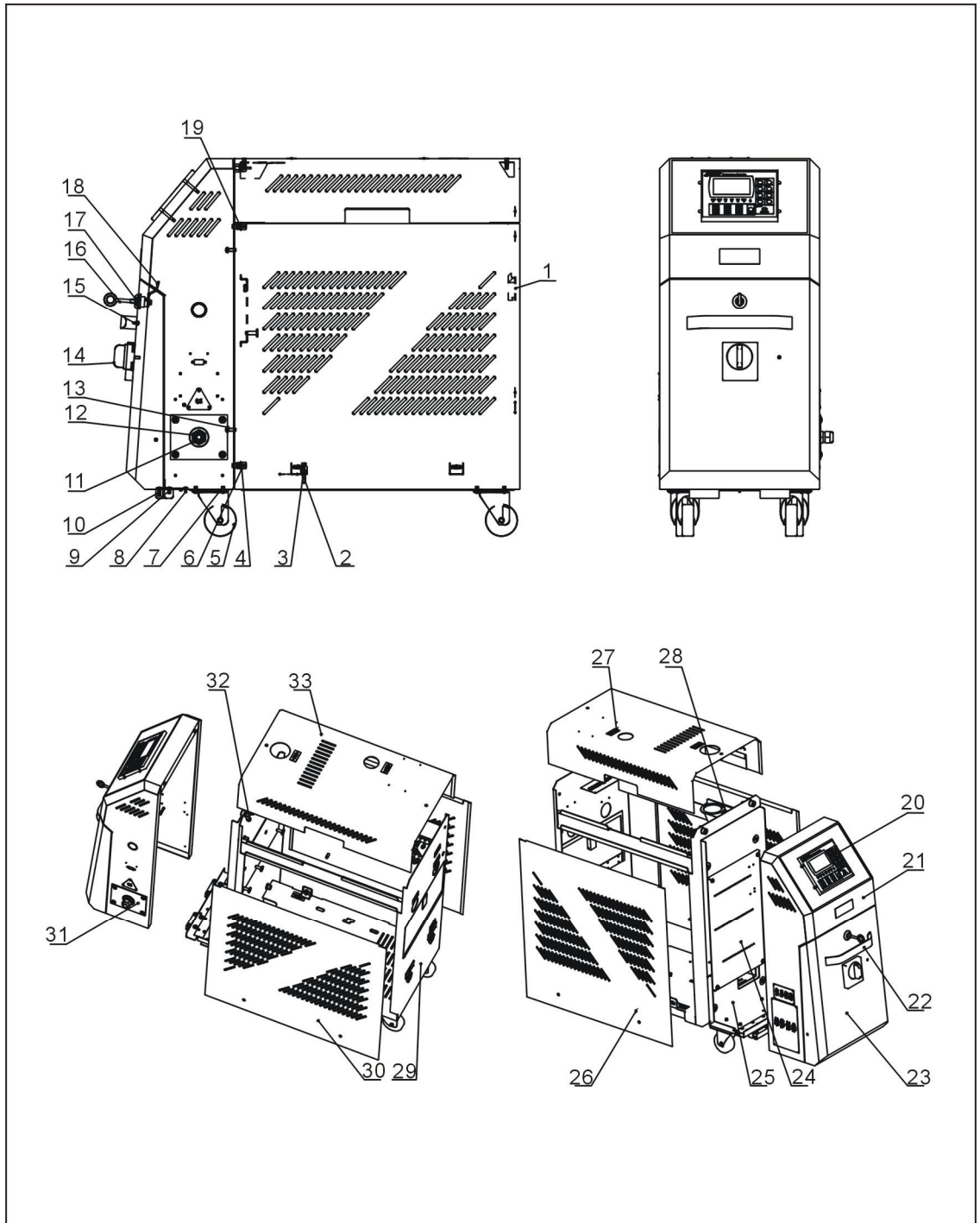
No.	Name	Part No.	No.	Name	Part No.
1	Teflon pipe plug	S-171	28	Flat washer A 10	YW66102000100
2	Copper teflon connection	YW04030800400	29	Standard spring washer10	YW65010000000
3	Hexagon screw bolt M6x25	YW60062500000	30	Inner hexagon cylindrical screw M10x30	YW61103000100
4	TP-55 pump*	YW66081900000	31	Heating tank	-
5	Flat washer A 8	BM20007500550	32	Cooling tank and oil tank	-
6	High temp. tester*	BH90115000050	33	Heat insulation pad of liquid level sensor	S-109
7	Quick hose connector	YE67165800000	34	Microswitch *	YE14152400000
8	Electric heating pipe cover	S-190	35	Cross socket head cap screw M4x25	YW63042500000
9	Flat washer A 6	YW66061300000	36	Hexagon nut M4	YW64000400500
10	Standard spring washer 6	YW65060000000	37	Cooling pipe assembly	-
11	Hexagon nut M6	YW64000600300	38	Pipe heater assembly*	-
12	Plastic plug 4" single-hole red	YR30000400100	39	Flexible graphite pad**	YR20121200000
13	Copper pad	YW66523400000	40	Quick hose connector	YE60161300000
14	Flat washer A 5	YW66051300000	41	Nylon hose	YE66001300000
15	Standard spring washer 5	YW65050000000	42	Hose bulkhead	YE67001340000
16	Safety ceramic cap 3/16	YP51031640000	43	Quick hose connector	YE67111000000
17	Liquid level indicator nut	S-82	44	Nylon hose	YE66015800000
18	Cross socket flat-head screw M5x10	YW62051000100	45	Hose bulkhead	YE67015800100
19	Liquid level indicator assembly*	-	46	Copper teflon connection	BH12010400410
20	Liquid level indicator pipe*	-	47	Thermocouple*	BE90341500050
21	Aluminum oil cap	S-30	48	Butterfly ball valve	YW50220000000
22	float ball	-	49	Tonflon pipe male thread elbow	YW04010400400
23	Cross socket head cap screw M3x6	YW63030600000	50	Pipe coupler	S-08
24	Pressure gauge pipe	YW85001000100	51	Hot by-pass valve	-
25	Inner hexagon cylindrical screw M10x25	YW61102500000	52	Pressure gauge pipe	-
26	Copper teflon connection	YW04030800600	53	Heat insulation cotton of heating tank mounting plate	-
27	Plastic plug without nut	YR40251500100	54	Copper joint	S-04

* means possible broken parts.

** means easy broken part. and spare backup is suggested.

Please confirm the version of manual before placing the purchase order to guarantee that the item number of the spare part is in accordance with the real object.

11. Assembly Drawing (STM-1220)



Remarks: Please refer to material list 12 for specific explanation of the Arabic numbers in parts drawing.

12. Parts List (STM-1220)

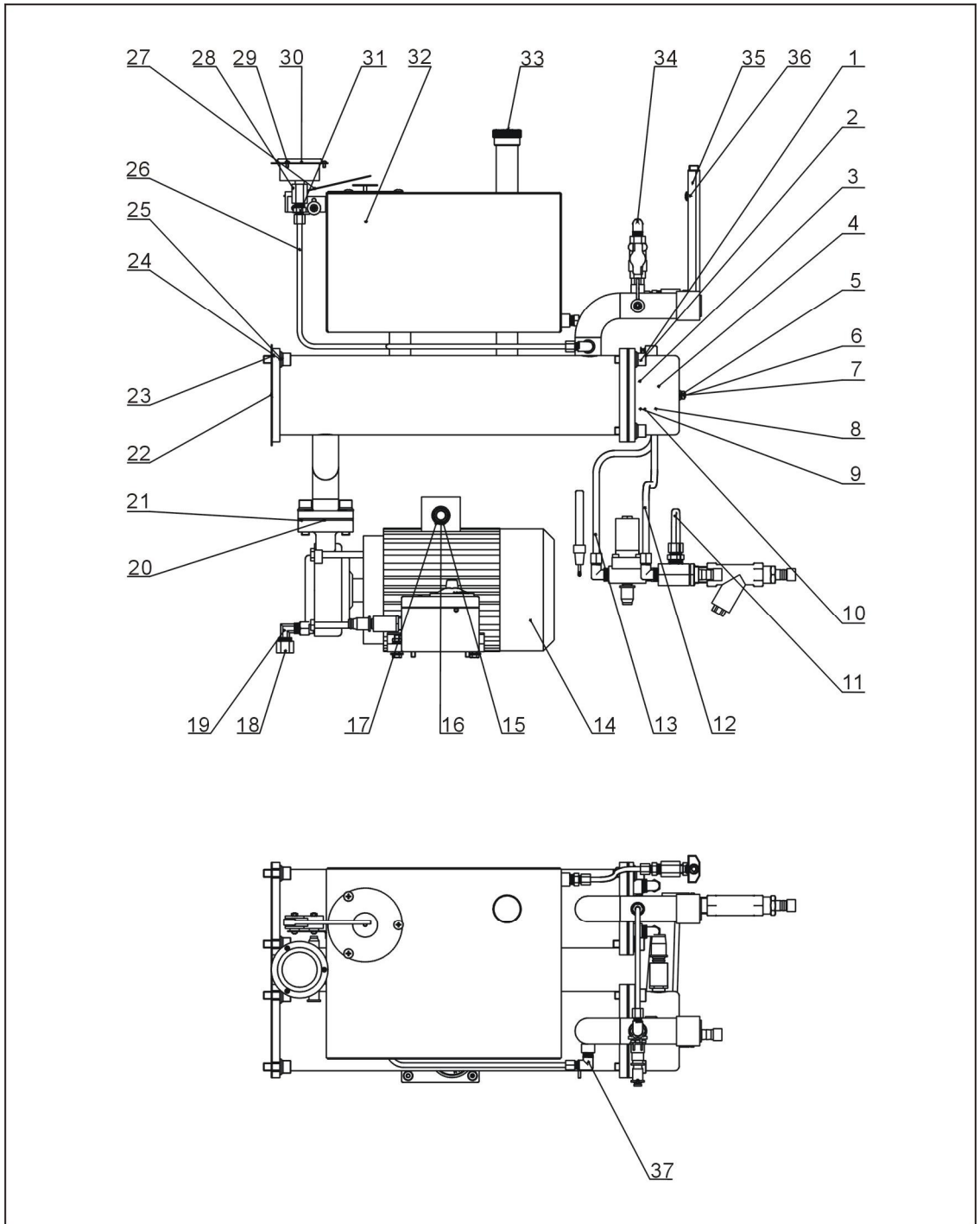
No.	Name	Part No.	No.	Name	Part No.
1	Plastic flexible buckle	YR40523040000	18	Door lock long sheet	YW00040600000
2	Cross recessed pan head self-drilling tapping screw ST4.8x19	YW67481900000	19	Flat gasket A 8	YW66081900000
3	Fixing base	YR40018500000	20	Controller	YE81184300200
4	Standard spring washer 8	YW65008000100	21	Control box	--
5	Castor	YW03002500000	22	Door-plate aluminum handle	YW20660900100
6	Inner hexagon cylindrical screw M8x20	YW61082001200	23	Door plank	--
7	Cross socket flat-head screw M6x10	YW62061000000	24	Base plate of control box	--
8	Umbrella head screw M3x8	YE50380000000	25	Control box rear plate	--
9	Cross socket flat-head screw M5x10	YW62051000100	26	Right side plate	--
10	Big hinge	YW06219100000	27	Rivet 2x5	YW69020500000
11	Cable head	YE67002900000	28	Spring bolt	YW01051000000
12	Cable	BE51250400450	29	Rack	--
13	Inner hexagon round head screw M6x16	YW61061600100	30	Left side plate	--
14	Main power switch	YE10021160000	31	Wire fixture fixed plate	--
15	Cross recessed pan head screw M4x6	YW63040600000	32	Butterfly bolt M8x15	YW69081500000
16	Long door lock key	YW00040600200	33	Cover plate	--
17	Long door lock	YW00000000100	34	Aluminum plate label	YP31118600600

* means possible broken parts.

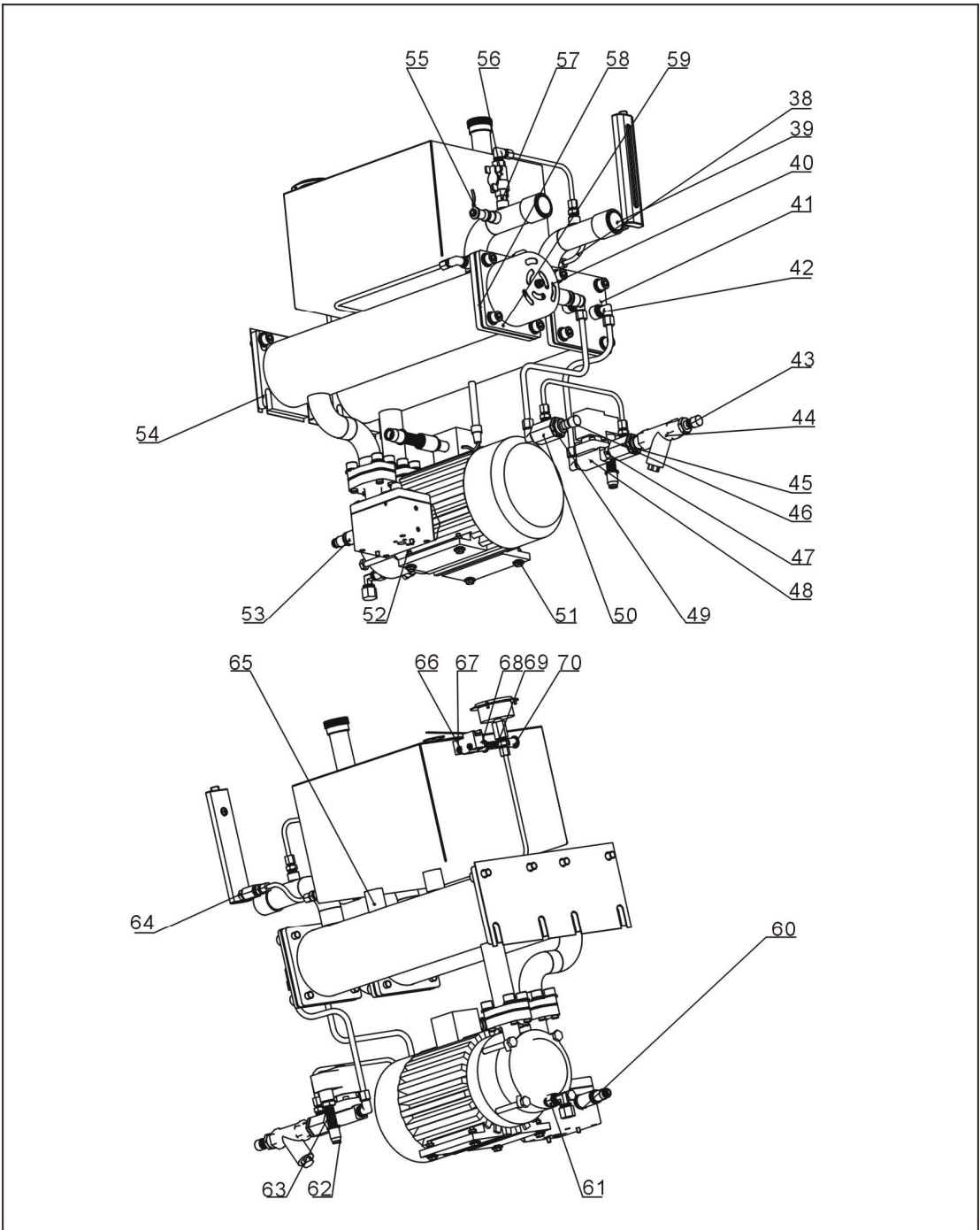
** means easy broken part. and spare backup is suggested.

Please confirm the version of manual before placing the purchase order to guarantee that the item number of the spare part is in accordance with the real object.

13. Machine Internal Structure Diagram (STM-1220)



Remarks: Please refer to material list 14 for specific explanation of the Arabic numbers in parts drawing.



Remarks: Please refer to material list 14 for specific explanation of the Arabic numbers in parts drawing.

14. Parts List (STM-1220)

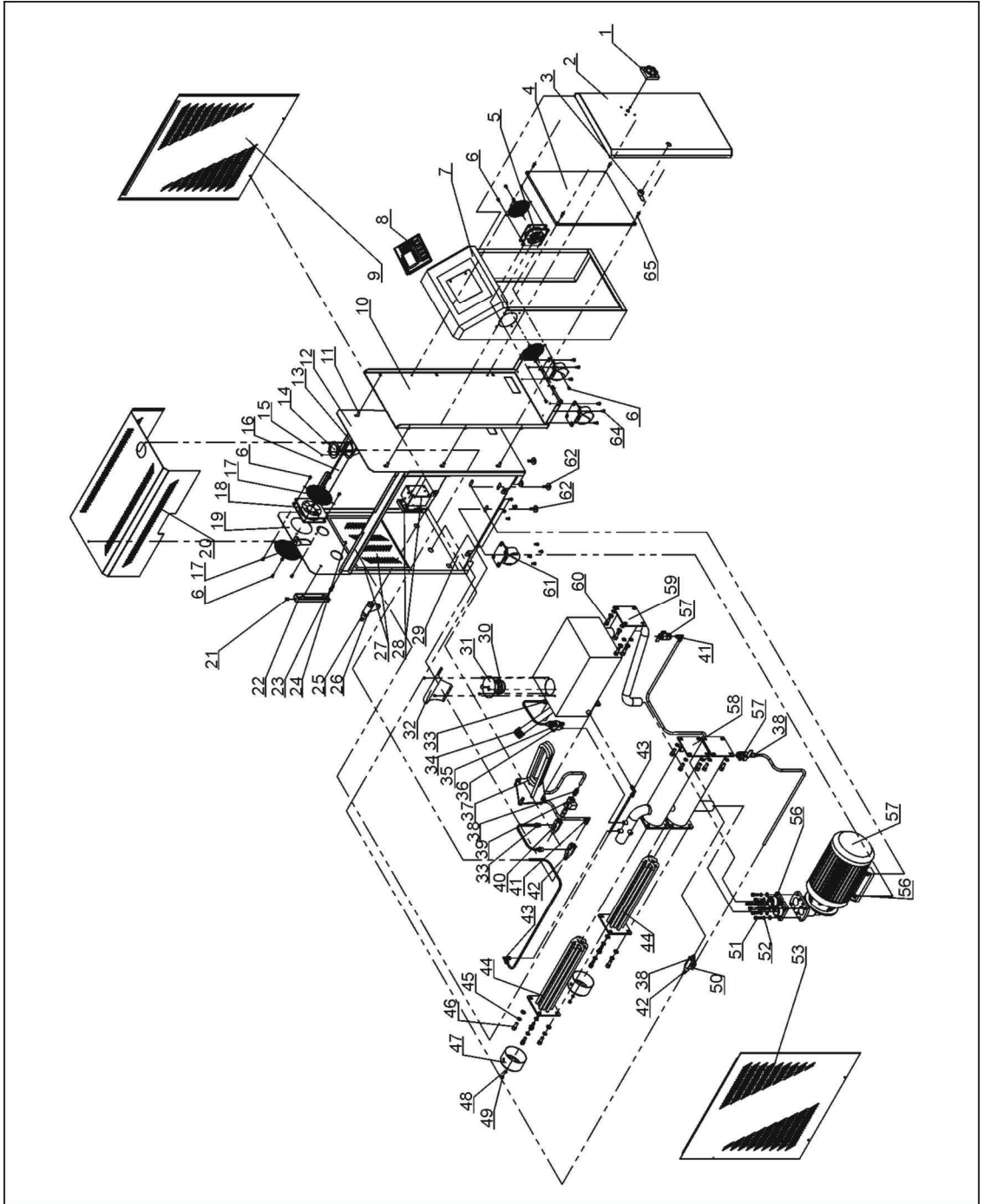
No.	Name	Part No.	No.	Name	Part No.
1	Copper gasket	YW66523400000	36	Cross socket flat-head screw M5x10	YW62051000100
2	Inner hexagon cylindrical screw M10x30	YW61103000100	37	Sleeve connector	YW05061400100
3	Plastic plug 4" single-hole red	YR30000400100	38	Liquid level indicator pipe	--
4	Quick hose connector	YE67165800000	39	Plastic plug without nut	YR40251500100
5	Standard spring washer 6	YW65060000000	40	Electric heating pipe cover S-190	--
6	Hexagon nut M6	YW64000600300	41	Cooling pipe assembly	--
7	Flat gasket A 6	YW66061300000	42	Sleeve connector	YW05083800100
8	Safety ceramic cap 3/16	YP51031640000	43	Copper joint	S-73
9	Flat gasket A 5	YW66051300000	44	Y type waster strainer*	YW57010200000
10	Standard spring washer 5	YW65050000000	45	The fourth set of copper connection S-142	
11	Cooling water outlet pipe of oil tank	--	46	Copper plug	YR30010200000
12	Cooling water outlet pipe of cooling tank	--	47	Copper pipe coupler S-07	
13	Cooling water inlet pipe of cooling tank	--	48	Solenoid valve	YE32382400000
14	Pump TP150	BM20015000550	49	Universal copper nut S-136	
15	Hose bulkhead	YE67015800100	50	The second set of copper connection S-20	
16	Nylon hose	YE66015800000	51	Flat gasket A 8	YW66081900000
17	Quick hose connector	YE67111000000	52	Hexagon screw bolt M6x25	YW60062500000
18	Teflon plug S-171	--	53	Quick hose connector	YE67109000000
19	Copper teflon pipe connection	YW04030800400	54	Heating tank	--
20	Graphite washer	--	55	Thermocouple*	BE90341500050
21	Inner hexagon cylindrical screw M10x35	YW61103500000	56	Butterfly ball valve	YW50220000000
22	Heat insulation pad of liquid level sensor	--	57	Copper teflon pipe connection S-08	--
23	Inner hexagon cylindrical screw M10x25	YW61102500000	58	Flexible graphite pad	YR20121200000
24	Flat gasket A 10	YW66102000100	59	Pipe heater assembly	--
25	Standard spring washer 10	YW65010000000	60	High temp. tester	BH90115000050
26	Pressure gauge pipe	--	61	Lengthened screw for oil discharge	--
27	Micro switch	YE14152400000	62	Hose bulkhead	YE67001340000
28	H-PT connector	BH12060701710	63	Nylon hose	YE66001300000
29	Cross recessed pan head screw M3x6	YW63030600000	64	Plastic plug without nut S-82	--
30	pressure gauge	YW85001000100	65	Cooling tank and oil tank	--
31	Sleeve connector	YW05061400000	66	Hexagon nut M4	YW64000400500
32	Float ball	--	67	Cross recessed pan head screw M4x25	YW63042500000
33	Aluminum oil cap S-30	--	68	Heat insulation pad of liquid level sensor S-109	--
34	Oil by-pass pipe	--	69	Nylon hose	YE66001040000
35	Liquid level indicator assembly	--	70	Hose bulkhead	YE67001000000

* means possible broken parts.

** means easy broken part. and spare backup is suggested.

Please confirm the version of manual before placing the purchase order to guarantee that the item number of the spare part is in accordance with the real object.

15. Assembly Drawing (STM-2440)



Remarks: Please refer to material list 16 for specific explanation of the Arabic numbers in parts drawing.

16. Parts List (STM-2440)

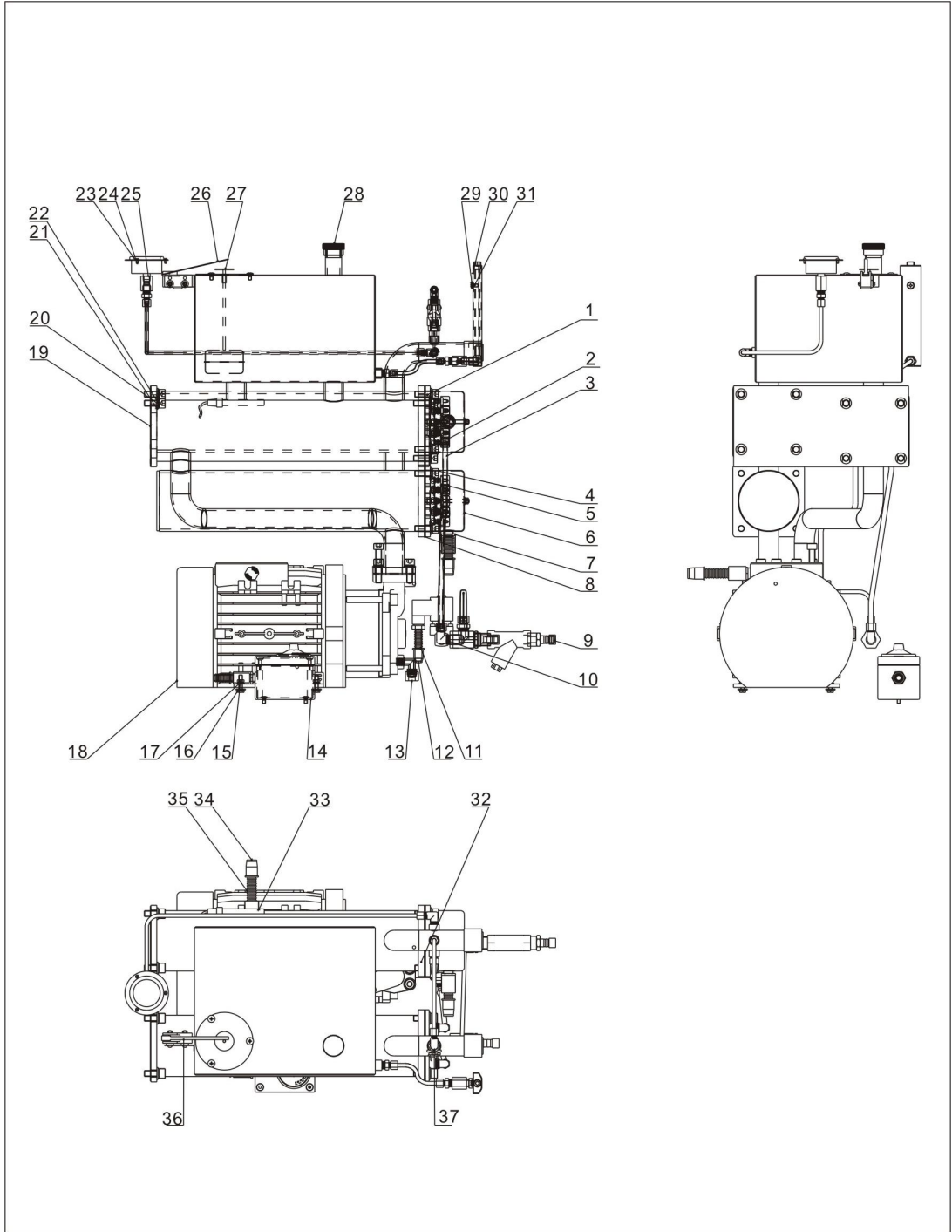
No.	Name	Part No.	No.	Name	Part No.
1	Main power switch*	YE10010000000	34	Oil cap	BH12030403040
2	Door plate	-	35	Copper ball core valve 1/4"	YY60001430000
3	Long gear lock	YW00000000100	36	Copper pipe coupler 1/4"	BH12010400110
4	Fixing plate of electric components	-	37	Cooling pipe	-
5	Fan with fan guard	YM60922500100	38	Copper teflon pipe connector 3/8H×3/8PT	BH12030800610
6	Thick head screw M6×10	YW63061000000	39	Solenoid valve 3/8"	YE32215400000
7	Electric control box	-	40	Copper tee joint 3/8"	BH12030800010
8	HANYOUNG controller	YE81100010000	41	Copper teflon pipe connector 3/8H×3/8PT(L typen)	YW04030800300
9	Side plate (right)	-	42	Copper connector 2	-
10	Electric control box rear plate	-	43	Copper teflon pipe connector 1/4H×1/4PT(L type)	YW04010400400
11	Inner hexagon cylindrical screw M8×16	YW60081600100	44	Pipe heater*	BH70244000050
12	Clapboard	-	45	Elastic gasket 10	YW65010000000
13	Pressure gauge fixing plate	-	46	Inner hexagon cylindrical screw M10×25	YW61102500000
14	Pressure gauge	YW85001000100	47	Electric heating pipe shield	BL80091000120
15	Thick head screw M3×5	YW63030600000	48	Flat gasket 6	YW66061300000
16	Crossbeam	-	49	Screw M6	YW64000600300
17	Fan guard	YM60423000000	50	Copper teflon pipe connector 3/8H×1/4PT(L type)	YW04030800200
18	Fan guard	YM60423000000	51	Inner hexagon cylindrical screw M8×25	YW61082500100
19	Rear plate	-	52	Elastic gasket 8	YW65008000100
20	Cover plate	-	53	Side plate (left)	-
21	Set screw M12	YW68121000000	54	Screw M8	YW64080600000
22	Liquid level indicator*	-	55	Pump (TP-280)*	YM20609100000
23	External thread1/4PT×1/4H	-	56	Pump flange	-
24	Butterfly screwM6×15	YW69061500000	57	Ball valve 3/8"	YW50030800100
25	Core 3/8"×1/2PT	BH12131200010	58	Heating tank	-
26	Water filter 1/2	YW57010200000	59	Cooling tank	-
27	Rear plate mini cover and mini cover fixing plate	-	60	Inner hexagon cylindrical screw M10×20	YW61102000000
28	EGO protective box	YR40000400300	61	Brake rubber tire 3"	YW03000300000
29	Base plate	-	62	Hexagon head screw M8×30	YW60083000100
30	Float ball	-	63	Flat gasket 8	YW66082200100
31	Float ball cover plate	-	64	Hexagon head screw M6×10	YW60061000000
32	Switch cover plate	-	65	Lentil-headed screw M6×15	YW63061500000
33	Copper teflon pipe connector 1/4H×1/4PT	BH12010400410			

* means possible broken parts.

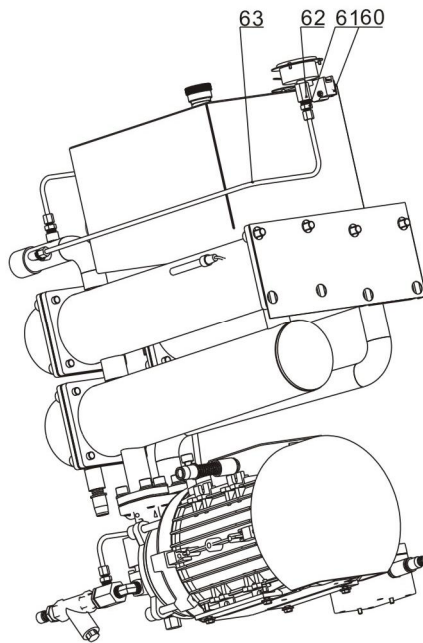
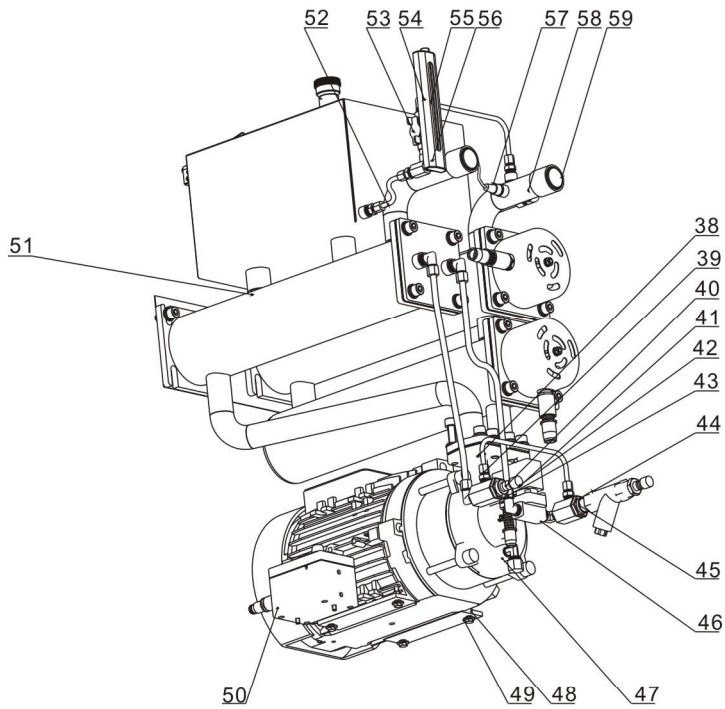
** means easy broken part. and spare backup is suggested.

Please confirm the version of manual before placing the purchase order to guarantee that the item number of the spare part is in accordance with the real object.

17. Machine Internal Structure Diagram (STM-2440)



Remarks: Please refer to material list 18 for specific explanation of the Arabic numbers in parts drawing.



Remarks: Please refer to material list 18 for specific explanation of the Arabic numbers in parts drawing.

18. Machine Internal Structure Parts List (STM-2440)

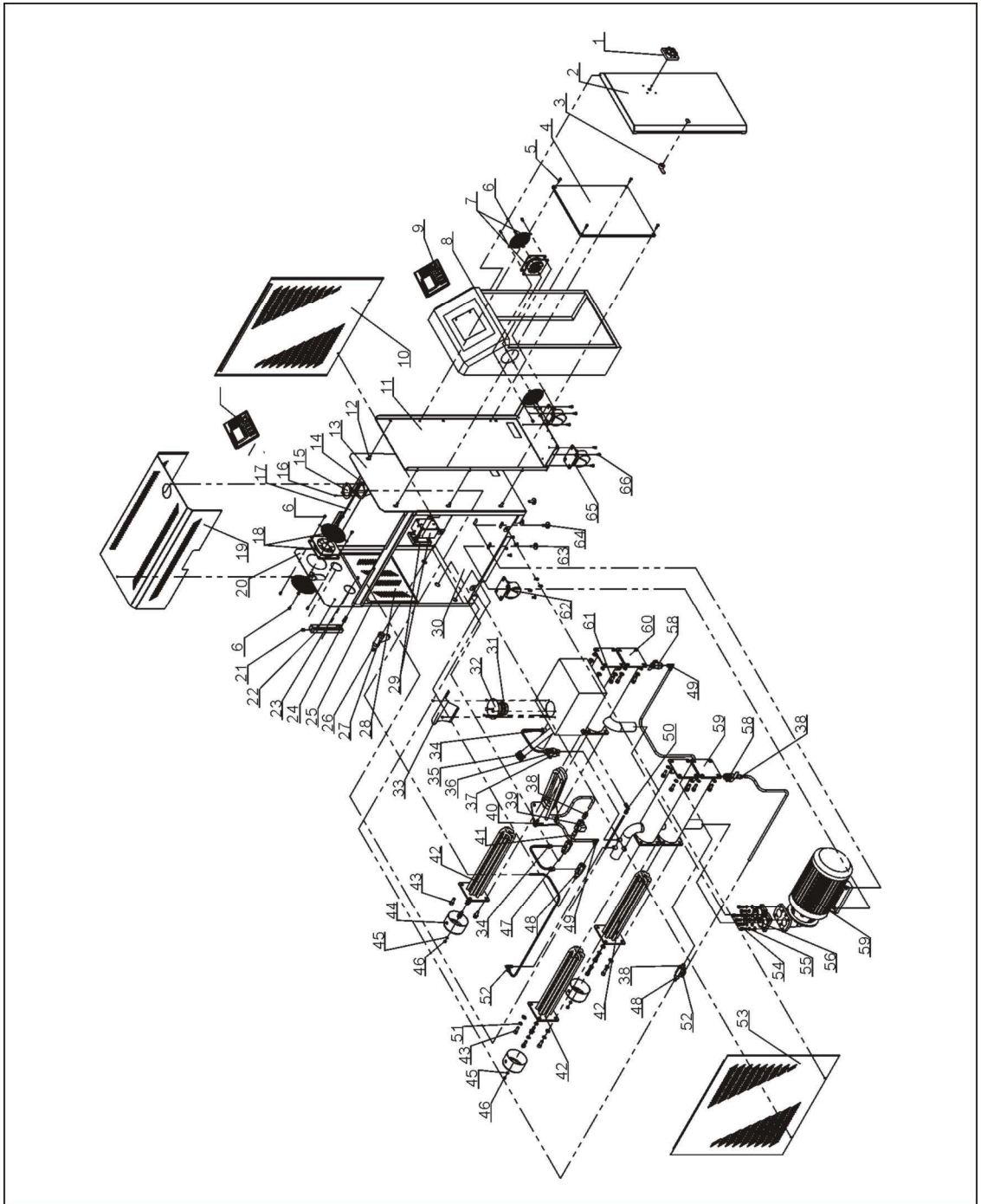
No.	Name	Part No.	No.	Name	Part No.
1	Cooling pipe assembly	-	33	Quick hose connector	YE67111000000
2	Sleeve connector	YW05083800100	34	Hose bulkhead	YE67015800100
3	Cooling water outlet pipe of cooling tank	-	35	Nylon hose	YE66015800000
4	Inner hexagon cylindrical screw M10x30	YW61103000100	36	Cross socket head cap screw M4x25	YW63042500000
5	Pipe heater assembly *	-	37	Pipe coupler	S-08
6	Electric heating pipe cover	S-190	38	Flange gasket **	YR10150000000
7	Quick hose connector	YE67165800000	39	Cooling water outlet pipe of oil tank	-
8	Flexible graphite pad **	YR20121200000	40	Universal copper nut	S-136
9	Copper inserted core	S-73	41	Copper plug	YR30010200000
10	Solenoid valve* 24V	YE32382400000	42	The second set of copper connection	S-20
11	Nylon hose	YE66001300000	43	Cooling water inlet pipe of cooling tank	-
12	Hose bulkhead	YE67001340000	44	Ytype waster strainer	YW57010200000
13	Teflon plug	S-171	45	The fourth set of copper connection	S-142
14	High temp. tester*	BH90115000050	46	Pipe coupler	YW59383800100
15	Hexagon nut M6	YW64000600300	47	Copper teflon connection	YW04030800400
16	Hexagon screw bolt M6x25	YW60062500000	48	Standard spring washer 6	YW65060000000
17	Flat washer A 6	YW66061300000	49	Flat washer A 6	YW66081900000
18	Pump	TP-280	50	Quick hose connector	YE67109000000
19	Heat insulation cotton of heating tank mounting plate	-	51	Cooling tank	-
20	Inner hexagon cylindrical screw M10x25	YW61102500000	52	Liquid level indicator pipe	-
21	Flat washer A 10	YW66102000100	53	Butterfly ball valve	YW50220000000
22	Standard spring washer 10	YW65010000000	54	Sleeve connector	YW05061400100
23	Pressure gauge	YW85001000100	55	Oil by pass pipe	-
24	Cross socket head cap screw M3x6	YW63030600000	56	Liquid level indicator nut	S-82
25	H-PT connector	BH12060701710	57	Thermocouple	BE90342500050
26	Microswitch *	YE14152400000	58	1/4"pipe famale	S-100
27	Float ball	-	59	Plastic plug without nut	YR40251500100
28	Aluminum oil cap	S-30	60	Heat insulation pad of liquid level sensor	S-109
29	Flat washer A 5	YW66051300000	61	Sleeve connector	YW05061400000
30	Liquid level indicator assembly	-	62	Hexagon nut M4	YW64000400500
31	Cross recessed raised countersunk head screw M5x10	YW62051000100	63	Pressure gauge pipe	-
32	Heating tank	-			

* means possible broken parts.

** means easy broken part. and spare backup is suggested.

Please confirm the version of manual before placing the purchase order to guarantee that the item number of the spare part is in accordance with the real object.

19. Assembly Drawing (STM-3650)



Remarks: Please refer to material list 20 for specific explanation of the Arabic numbers in parts drawing.

20. Parts List (STM-3650)

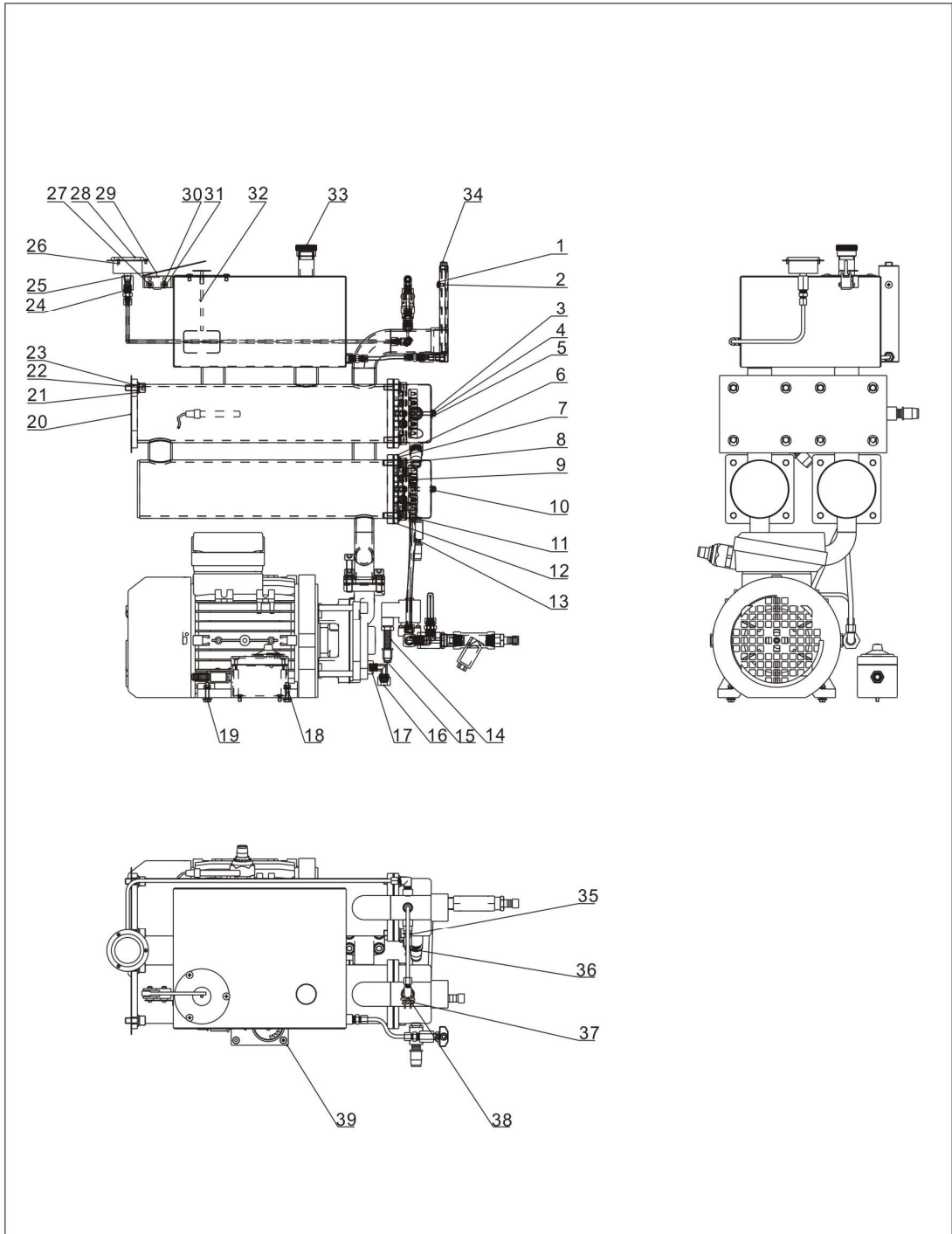
No.	Name	Part No.	No.	Name	Part No.
1	Main power switch *	YE41109000000	27	Water filter 1/2	YW57010200000
2	Door plate	-	28	Rear plate mini cover and mini cover fixing plate	-
3	Long gear lock	YW00000000100	29	EGO protective box	YR40000400300
4	Base plate of electric components box	-	30	Base plate	-
5	M6×15 LentiI-headed screw	YW63061500000	31	Float ball	-
6	M6×10 LentiI-headed screw	YW63061000000	32	Float ball cover plate	-
7	Fan with fan guard	YM60922500100	33	Switch cover plate	-
8	Electric control box	-	34	Copper teflon pipe connector 1/4H×1/4PT	BH12010400410
9	HANYOUNG controller	YE81100010000	35	Oil cap	BH12030403040
10	Side plate (right)	-	36	Copper ball core valve 1/4"	YY60001430000
11	Electric control box rear plate	-	37	Copper pipe coupler 1/4"	BH12010400110
12	M8×16 Inner hexagon screw	YW61081600000	38	Copper teflon pipe connector 3/8H×3/8PT	BH12030800610
13	Clapboard	-	39	Solenoid valve 3/8" *	YE32215400000
14	Pressure gauge fixing plate	-	40	Cooling pipe	-
15	Pressure gauge	YW85001000100	41	3/8" Pipe coupler	BH12030800110
16	Thick head screw M3×5	YW63030600000	42	Pipe heater unit	BH70365000050
17	Crossbeam	-	43	Inner hexagon cylindrical screw M10×25	YW61102500000
18	Fan with fan guard	YM60423000000	44	Electric heating pipe shield	BL80091000120
19	Cover plate	-	45	Flat gasket 6	YW66061300000
20	Rear plate	-	46	Screw M6	YW64000600300
21	Set screw M12	YW68121000000	47	Copper tee joint 3/8"	BH12030800010
22	Liquid level indicator *	-	48	Copper connector 2	-
23	M6×15 Butterfly screw	YW69061500000	49	Copper teflon pipe connector 3/8H×3/8PT(L type)	YW04030800300
24	External thread 1/4PT×1/4H	-	50	Copper teflon pipe connector 1/4H×1/4PT(L type)	YW04010400400
25	Rear plate mini cover and mini cover fixing plate	-	51	Elastic gasket 10	YW65010000000
26	Core 3/8"×1/2PT	BH12131200010	52	Copper teflon pipe connector 3/8H×1/4PT(L type)	YW04030800200
53	Side plate (left)	-	60	Cooling tank	-
54	Inner hexagon cylindrical screw M8×25	YW61082500100	61	Inner hexagon cylindrical screw M10×20	YW61102000000
55	Elastic gasket 8	YW65008000100	62	Brake rubber tire 3"	YW03000300000
56	Pump flange	-	63	Hexagon head screw M8×30	YW60083000100
57	Pump (TP-400)	YM20609100100	64	Flat gasket 8	YW66082200100
58	Ball valve 3/8"	YW50030800100	65	Movable rubber tire 3"	YW03000300200
59	Heating tank	-	66	Hexagon head screw M6×10	YW60061000000

* means possible broken parts.

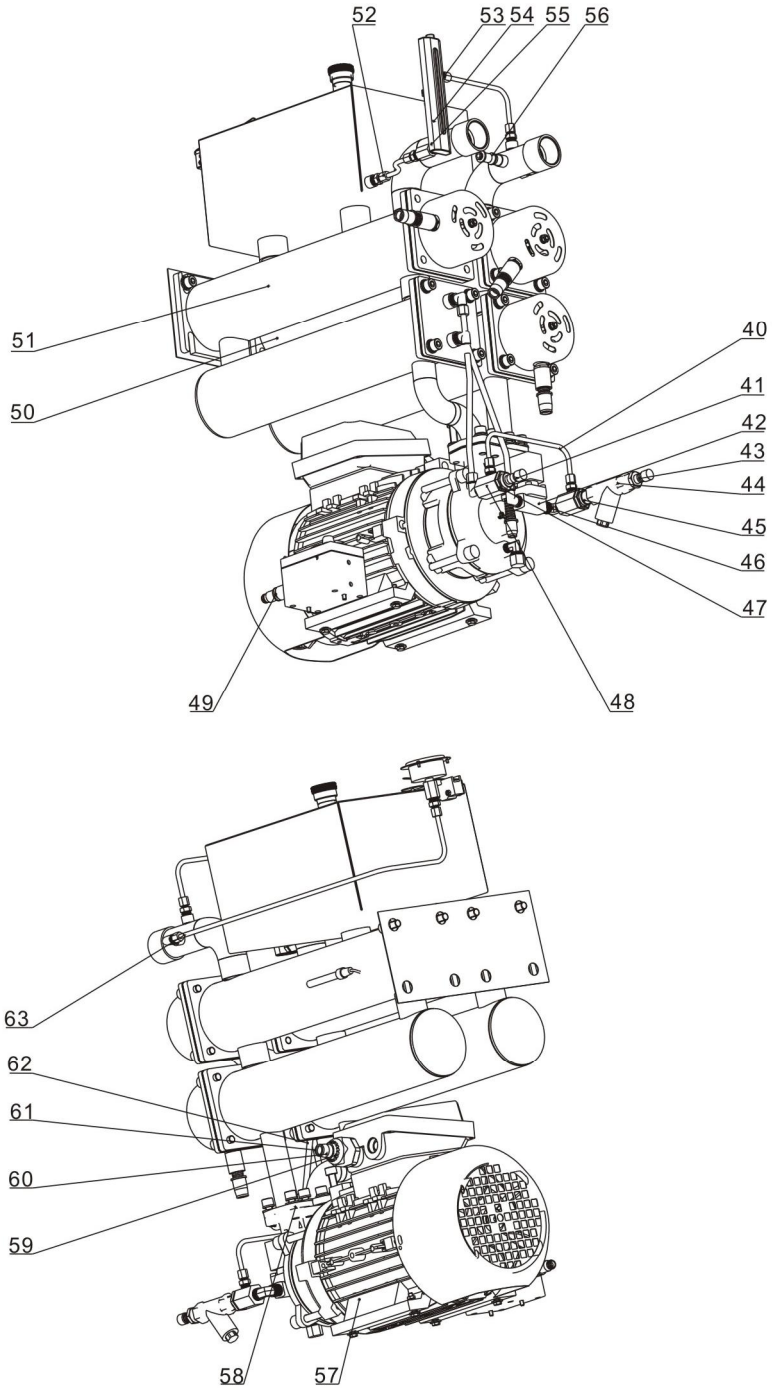
** means easy broken part. and spare backup is suggested.

Please confirm the version of manual before placing the purchase order to guarantee that the item number of the spare part is in accordance with the real object.

21. Machine Internal Structure Diagram (STM-3650)



Remarks: Please refer to material list 22 for specific explanation of the Arabic numbers in parts drawing.



Remarks: Please refer to material list 22 for specific explanation of the Arabic numbers in parts drawing.

22. Machine Internal Structure Parts List (STM-3650)

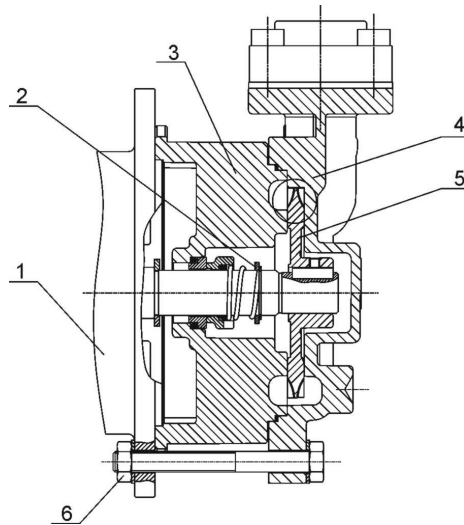
No.	Name	Part No.	No.	Name	Part No.
1	Flat washer A 5	YW66051300000	33	Aluminum oil cap	S-30
2	Cross recessed raised countersunk head screw M5x10	YW62051000100	34	Liquid level indicator assembly	-
3	Standard spring washer 6	YW65060000000	35	Hose bulkhead	YE67001000000
4	Hexagon nut M6	YW64000600300	36	Nylon hose	YE66001040000
5	Flat washer A 6	YW66061300000	37	Butterfly ball valve	YW50220000000
6	Cooling pipe assembly	-	38	Sleeve connector	YW05061400100
7	Pipe heater assembly *	-	39	High temp. tester	BH90115000050
8	Inner hexagon cylindrical screw M10x30	YW61103000100	40	Cooling water outlet pipe of oil tank	-
9	Sleeve connector	YW05083800100	41	Copper pipe plug	YR30010200000
10	Electric heating pipe cover	S-190	42	Solenoid valve*	YE32213100000
11	Cooling water outlet pipe of cooling tank	-	43	Copper inserted core	S-73
12	Flexible graphite pad **	YR20121200000	44	Y type water strainer	YW57010200000
13	Quick hose connector	YE67165800000	45	The fourth set of copper connector	S-142
14	Nylon hose	YE66001300000	46	Pipe coupler	YW59383800100
15	Hose bulkhead	YE67001340000	47	Universal copper nut	S-136
16	Teflon plug	S-170	48	The second set of copper connector	S-20
17	Copper teflon connection	YW04030800400	49	Quick hose connector	YE67109000000
18	Hexagon screw bolt M6x30	YW60006300000	50	Heating tank	-
19	Flat washer A 8	YW66081900000	51	Cooling tank	-
20	Heat insulation cotton of heating tank mounting plate	-	52	Liquid level indicator pipe	-
21	Flat washer A 10	YW66102000100	53	il by pass pipe	-
22	Standard spring washer 10	YW65010000000	54	Pipe coupler	S-08
23	Inner hexagon cylindrical screw M10x25	YW61102500000	55	Liquid level indicator nut	S-82
24	Sleeve connector	YW05061400000	56	Thermocouple	BE90341500050
25	H-PT connector	BH12060707170	57	Pump*	BM20423000050
26	Cross socket head cap screw M3x6	YW63030600000	58	Flange gasket**	YR10150000000
27	Heat insulation pad of liquid level sensor	S-109	59	Quick hose bulkhead	YE67111000000
28	Pressure gauge	YW85001000100	60	Nylon hose	YE66015800000
29	Microswitch*	YW14152400000	61	Hose bulkhead	YE67015800100
30	Hexagon nut M4	YW64000400500	62	Cooling water inlet pipe of cooling tank	-
31	Cross socket head cap screw M4x25	YW63042500000	63	Pressure gauge pipe	-
32	Float ball	-			

* means possible broken parts.

** means easy broken part. and spare backup is suggested.

Please confirm the version of manual before placing the purchase order to guarantee that the item number of the spare part is in accordance with the real object.

23. Pump



No.	Name	Part No.				
		STM-607/607D	STM-910/910D	STM-1220	STM-2440	STM-3650
1	Motor	YM10055000500	YM10075000100	YM10015000000	YM10028000000	YM10040000000
2	Mechanical shaft seal *	YR80901000000	YR80901200000	YR80901600000	YR80902240000	YR80902240000
3	Bearing block	BW33005500110	BW33007500110	BW33015000110	BW33028000210	BW33028000210
4	Pump body	BW33005500210	BW33007500210	BW33015000210	BW33028000110	BW33028000110
5	Impeller	BW33055000310	BW33075000310	BW33015000310	BW33028000310	BW33028000310
6	Hexagon nut	YW64001000100	YW64001000100	YW64001000100	YW64001000100	YW64001000100

* means possible broken parts.

** means easy broken part. and spare backup is suggested.

Please confirm the version of manual before placing the purchase order to guarantee that the item number of the spare part is in accordance with the real object.