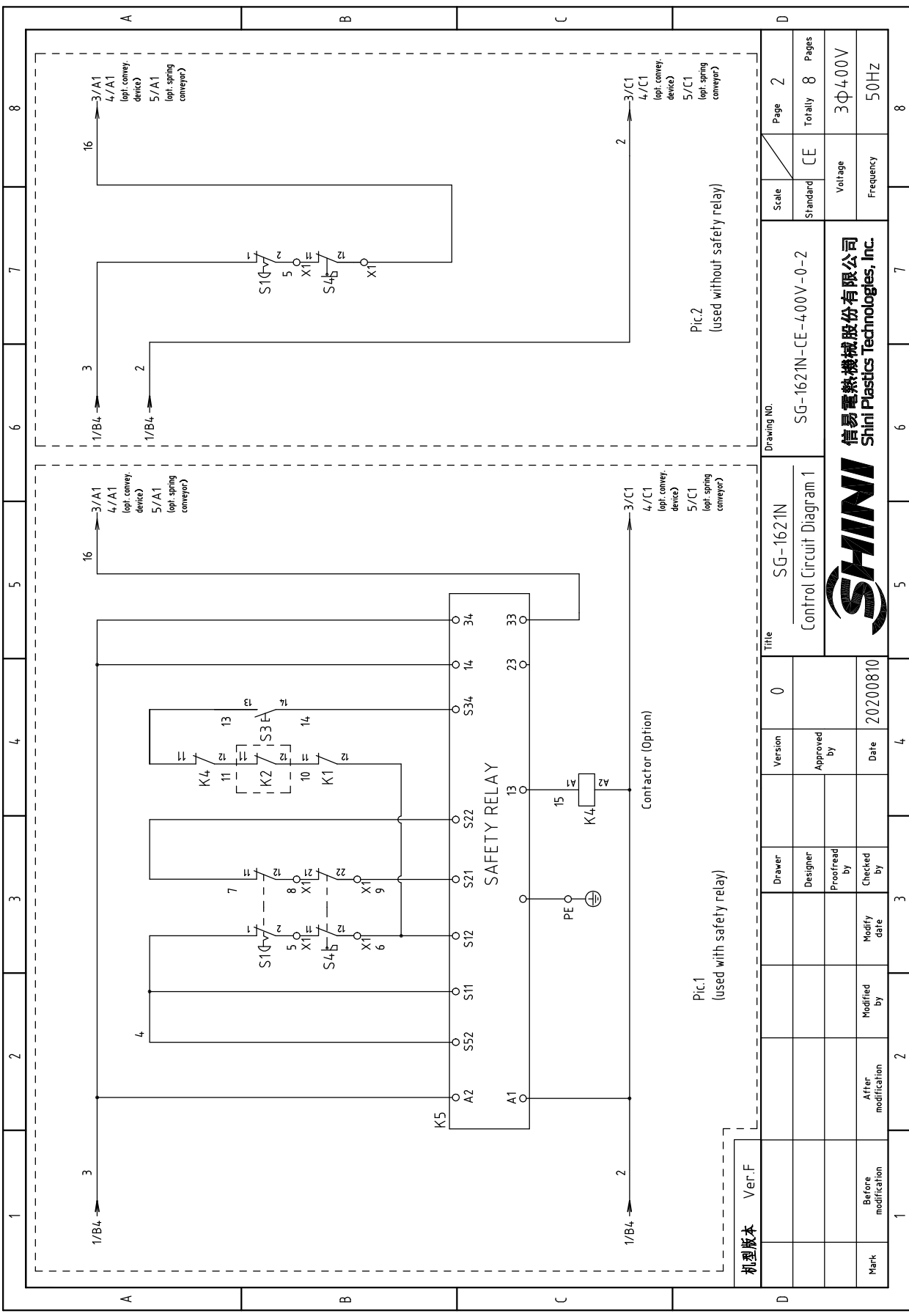


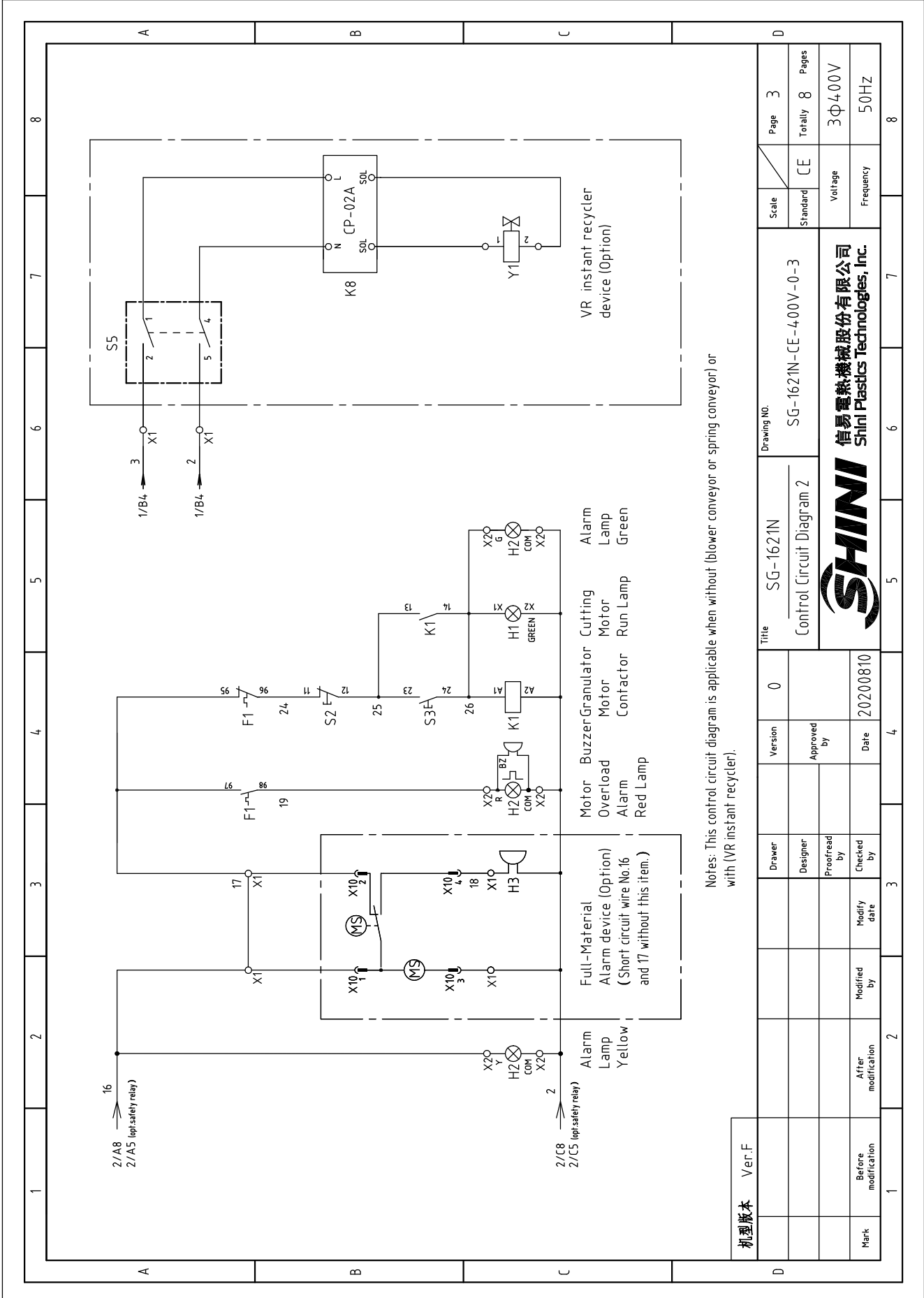
SHINI
信易电热机械股份有限公司
Shini Plastics Technologies, Inc.



机型版本	Ver.F
Mark	Before modification
	After modification
	Modified by
	Modify date
	Checked by
	Proofread by
	Designer
	Drawer
	Version
	Approved by
	Date

1	2	3	4	5	6	7	8
1	2	3	4	5	6	7	8
1	2	3	4	5	6	7	8
1	2	3	4	5	6	7	8

Title		SG-1621N		Drawing NO.		SG-1621N-CE-400V-0-2	
Control Circuit Diagram 1		Scale		Standard		Page 2	
SHINI		Voltage		Frequency		Totally 8 Pages	
信易电热机械股份有限公司 Shini Plastics Technologies, Inc.		3Φ400V		50HZ			

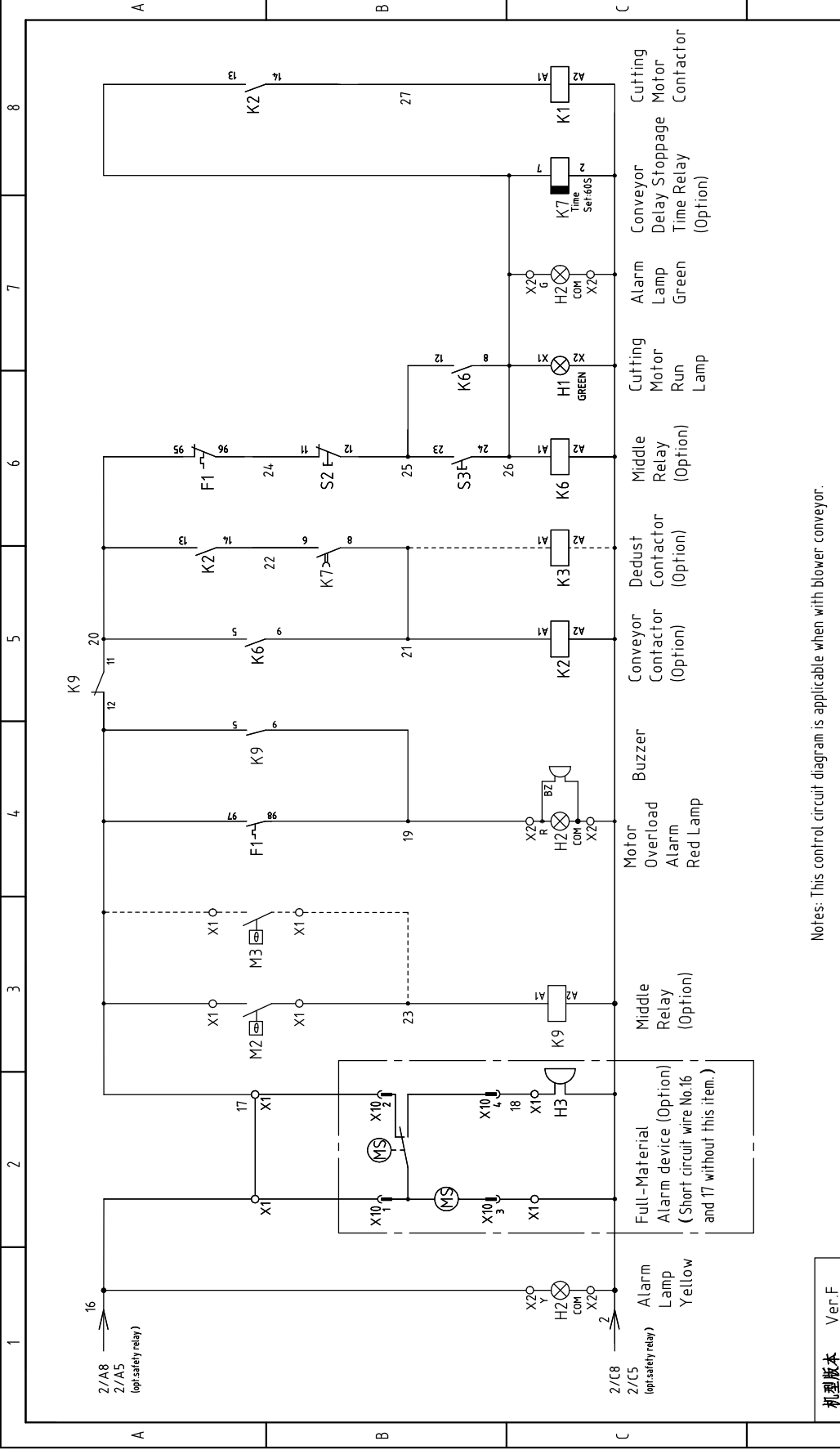


Notes: This control circuit diagram is applicable when without (blower conveyor or spring conveyor) or with (VR instant recycler).

机型版本 Ver.F

Mark	Before modification	Modified by	Modify date	Checked by	Date	Approved by	Version	0	Title	SG-1621N Control Circuit Diagram 2	Drawing No.	SG-1621N-CE-400V-0-3	Scale	Standard	CE	Page	3
					20200810											Totally	8
																Voltage	3Φ400V
																Frequency	50Hz

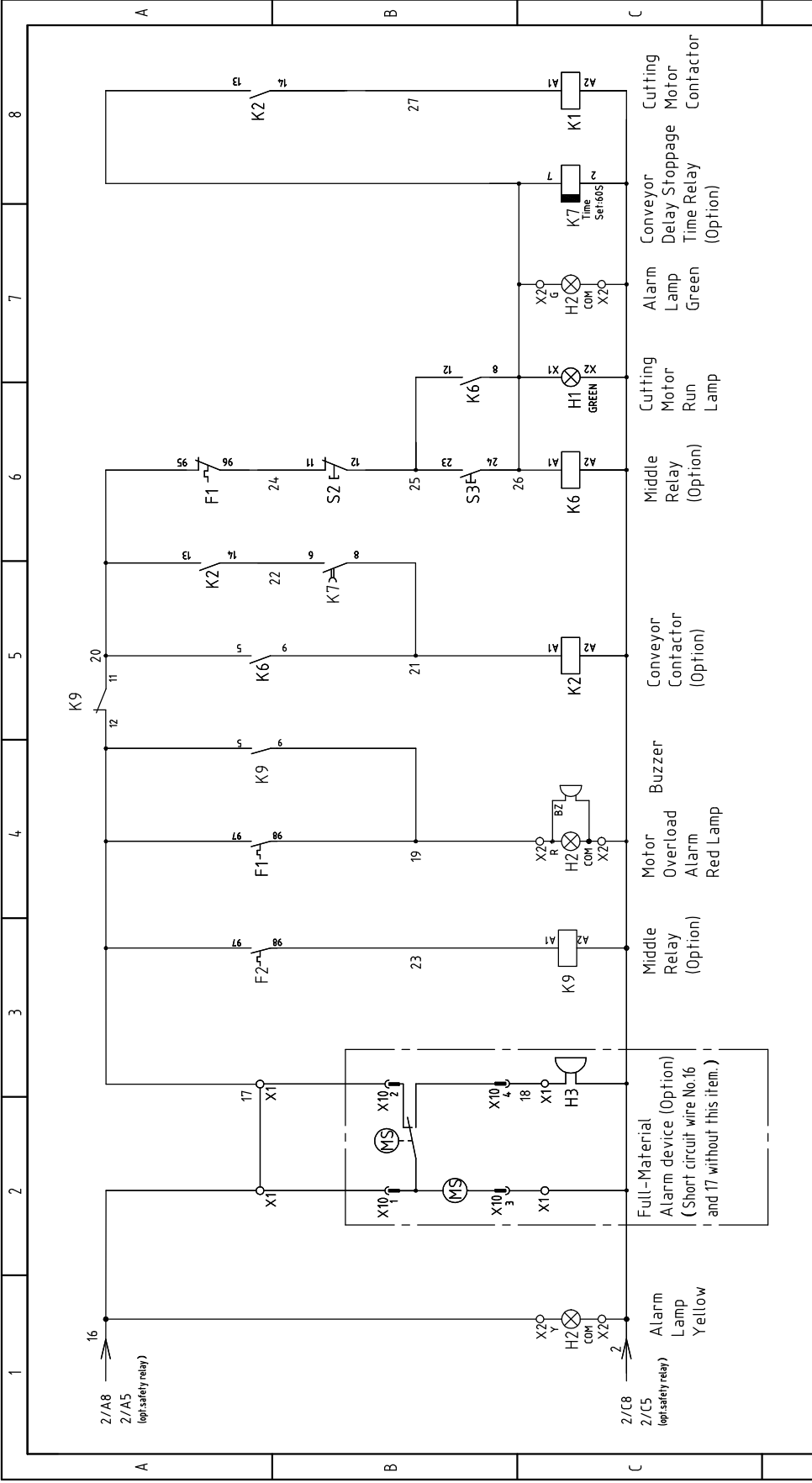




Notes: This control circuit diagram is applicable when with blower conveyor.

机型版本	Ver.F
Mark	Before modification
	After modification
	Modify date
	Checked by
	Proofread by
	Designer
	Drawer
	Version
	0
	Approved by
	Date
	20200810

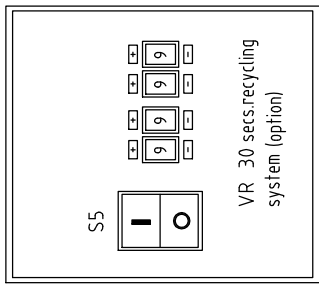
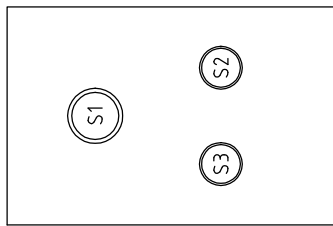
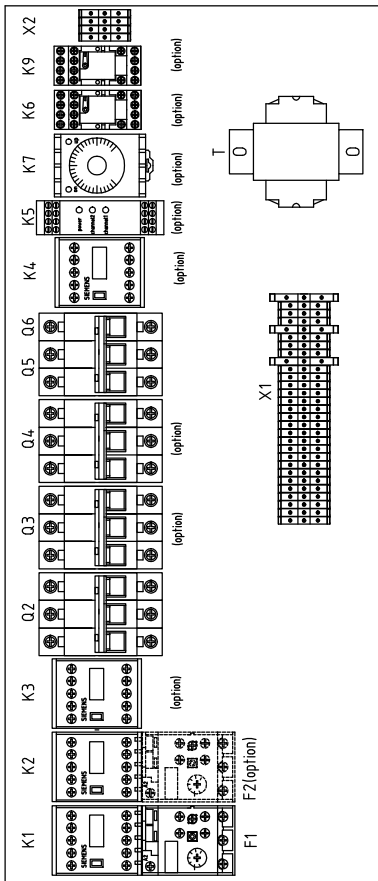
Title	SG-1621N		Drawing NO.	SG-1621N-CE-400V-0-4	
	Control Circuit Diagram 3				
SHINI 信易电热机械股份有限公司 Shini Plastics Technologies, Inc.			Standard	CE	Page
			Voltage		4
			Frequency		8
			Voltage		3Φ400V
			Frequency		50HZ



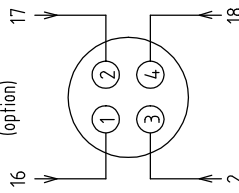
Notes: This control circuit diagram is applicable when with spring conveyor.

机 型 版 本 Ver.F	Version	0	Version	SG-1621N	Scale	Page 5
	Designer		Approved by	SG-1621N-CE-4.00V-0-5	Standard	Totally 8 Pages
Mark	Proofread by		Date	20200810	Voltage	3Φ400V
Before modification	Modified by		Modify date		Frequency	50Hz
After modification						

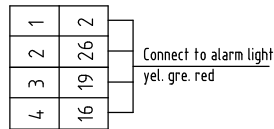




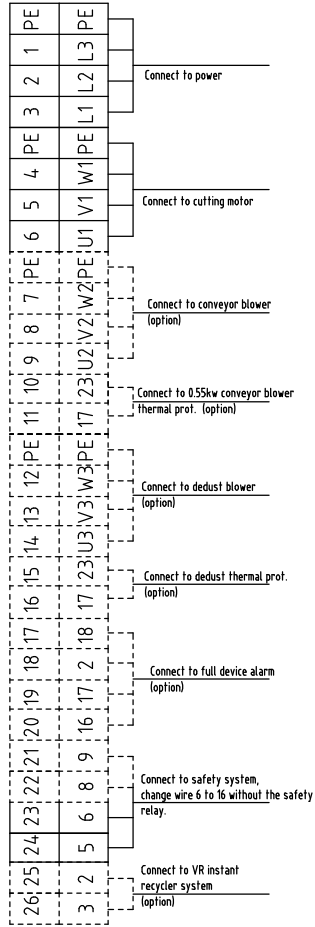
X10 Metal connector wiring diagram



X2



X1



初型版本 Ver.F

Mark	Before modification	Modified by	Modified date	Checked by	Checked date	Approved by	Version	0	Title	SG-1621N	Drawing No.	SG-1621N-CE-4.00V-0-6	Scale	Standard	CE	Page	6
Mark	After modification	Modified by	Modified date	Checked by	Checked date	Approved by	Version		Elec. Layout & Terminal Wiring Diagram				Standard	CE	Totally	8	Pages
Mark									SHINI 信易電熱機械股份有限公司 Shini Plastics Technologies, Inc.				Voltage	3Φ4.00V	Frequency	50HZ	

Notes: Use F2 thermal overload relay to protect M2 motor with optional spring conveyor.

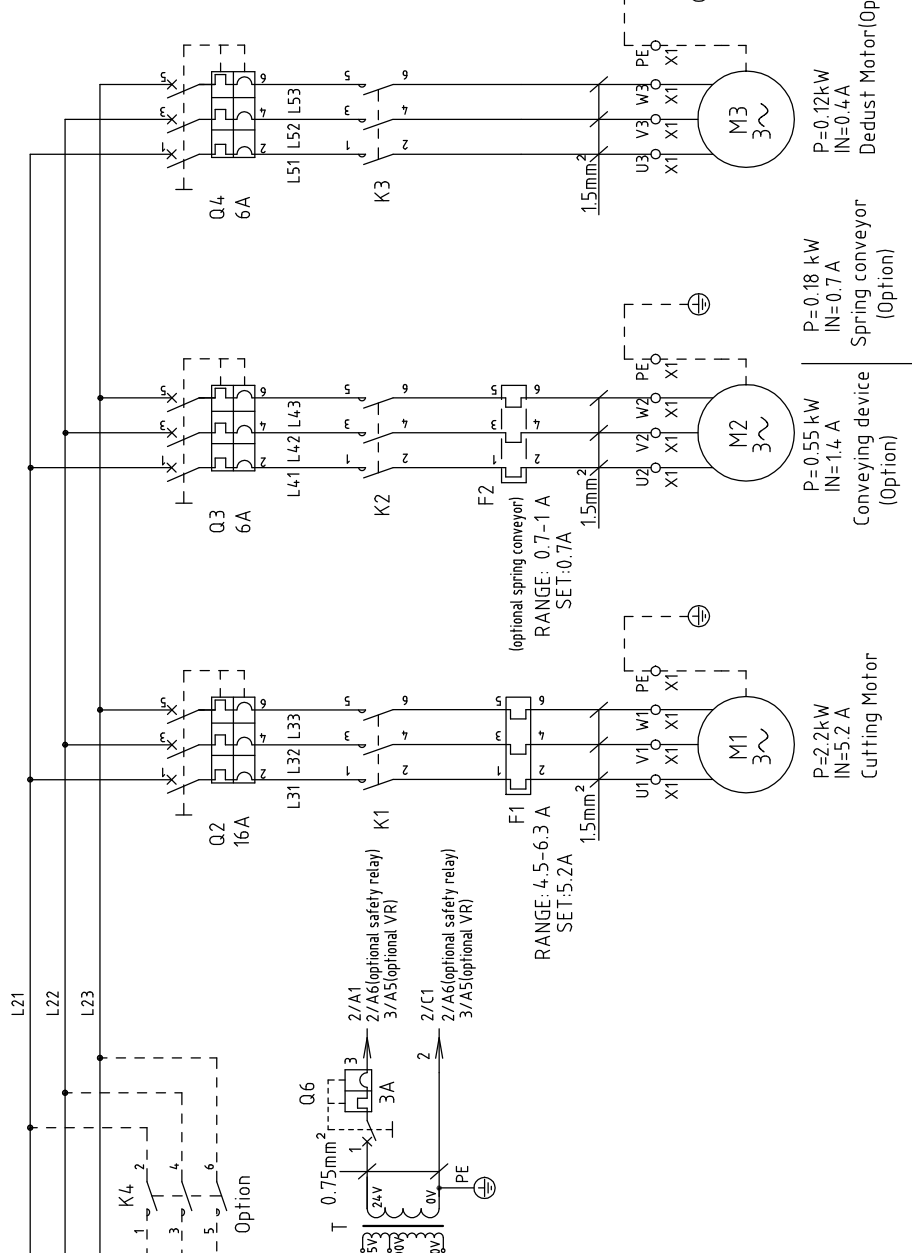
1	2	3	4	5	6	7	8
NO.	Symbol	Name	Manufacturer	Type	Specification	Number	Material number
1	Q1	Main switch	EATON	T0-2-1EA/SVB/20A	20A	1	YE10021160000
2	Q2	Circuit breaker	TECO	BM-63C/3010S	10A	1	YE40301003000
3	Q3	Circuit breaker	TECO	BM-63C/3006S	6A	1	YE40300603000
4	Q4	Circuit breaker	TECO	BM-63C/3006S	6A	1	YE40300603000
5	K1	Contactor	SIEMENS	3RT6015-1AB01	24VAC 50/60Hz	1	YE00601502500
6		Auxiliary contact terminal	SIEMENS	3RH6911-1HA11	1NC+1NO	1	YE00691100100
7	K2	Contactor	SIEMENS	3RT6015-1AB01	24VAC 50/60Hz	1	YE00601502500
8		Auxiliary contact terminal	SIEMENS	3RH6911-1HA11	1NC+1NO	1	YE00691100100
9	K3	Contactor	SIEMENS	3RT6015-1AB01	24VAC 50/60Hz	1	YE00601502500
10	K4	Contactor	SIEMENS	3RT6015-1AB02	24VAC 50/60Hz	1	YE00601502600
11	K5	Safety relay	PILZ	PN0Z_X2.8P	24VAC/DC	1	YE04023000000
12	K6	Middle relay	Honeywell	GR-2C-AC24V	24VAC	1	YE03022400300
13	K7	Time relay	YUYUN	TRF-N/3M	24VAC	1	YE86032400000
14	K8	VR time dialer	YUYUN	CP-02A	24VAC	1	YE80999900600
15	K9	Middle relay	Honeywell	GR-2C-AC24V	24VAC	1	YE03022400300
16	F1	Thermal overload relay	SIEMENS	3RU6116-1FB0	3.5-5A	1	YE01160700000
17	F2	Thermal overload relay	SIEMENS	3RU6116-0JB0	0.7-1A	1	YE01160700000
18	T	Mutual transformer	BAIYUN	IN=400V/415V OUT=24V	120VA	1	YE7004-0006600
19	Q5	Circuit-breaker	TECO	BM-63C/2003S 2P	3A	1	YE40200203000
20	Q6	Circuit-breaker	TECO	BM-63C/1003S 1P	3A	1	YE40100203000
21	X1	Terminal board	HONEYWELL	SK2.5	2.5mm ²	8	YE60002503200
22			HONEYWELL	GK2.5PE	2.5mm ² PE	2	YE60002503400
23			HONEYWELL	SK2.5	2.5mm ²	5	YE60002503200
24			HONEYWELL	GK2.5PE	2.5mm ² PE	1	YE60002503400
25			HONEYWELL	SK2.5	2.5mm ²	4	YE60002503200

机型号版本 Ver.F Notes:(1)Materials not in the control box;(2)Conveying blower assembly;(3)Screw spring conveyor;(4)Full mat. alarm assembly;(5)Safety relay option;(6)Dedust blower assembly;(7)VR air recycler assembly.

D		E		F		G		H	
Mark	Before modification	After modification	Modified by	Modify date	Checked by	Date	20200810	Version	0
Title		SG-162IN		Elec. Parts List 1		SG-162IN-CE-400V-0-7		Scale	
Standard		CE		Voltage		3φ400V		Page	
Frequency		50Hz		Totally		8		Pages	



1	2		3	4	5	6	7	8
NO.	Symbol	Name	Manufacturer	Type	Specification	Number	Material number	Remark
26			HONEYWELL	SK2.5	2.5mm ²	2	YE60002503200	(5)
27			HONEYWELL	SK2.5	2.5mm ²	5	YE60002503200	(6)
28			HONEYWELL	GK2.5PE	2.5mm ² PE	1	YE60002503400	(6)
29			HONEYWELL	SK2.5	2.5mm ²	2	YE60002503200	(7)
30	X2	Terminal board	HONEYWELL	SK2.5	2.5mm ²	4	YE60002503200	
31	X10	Metal connector	SHINI	254-P/R male	4P	1	YE68025400000	(1)(4)
32			SHINI	254-P/R female	4P	1	YE68025400100	(1)(4)
33	S1	Emergency stop button	SCHNEIDER	XB2BS542C	4.00VAC	1	YE11254200000	(1)
34		Contact block	SCHNEIDER	ZB2BE102C	1NC	1	YE00210203100	(1)(5)
35	S2	Stop button	SCHNEIDER	XB2BA22C	4.00VAC	1	YE11222000000	(1)
36	S3,H1	Start button (with light)	SCHNEIDER	XB2BW33B1C	24VAC/DC	1	YE11233100000	(1)
37		Contact block	SCHNEIDER	ZB2BE101C	1NO	1	YE00210103100	(1)(5)
38	S4	Safety switch	SCHMERSRC	AZ-17-11ZK	AC-17	1	YE16171100000	(1)
39	S4	Safety switch	SCHMERSAL	AZ16-02ZVRK-M16-1476-1	250V 3A	1	YE16147600000	(1)(5)
40		Operating moving parts	SCHMERSRC	AZ17-B6	AC-17	1	YE16176000000	(1)
41	S5	Alternative switch	----	R11-8/4P	24VAC/DC	1	YE10118400000	(7)
42	H2	Three-way alarm lamp	SHINI	Red. gre. yel.+buzzer	24VAC	1	BL90002401520	(1)
43	H3	Buzzer	TEND	EA-2	24VAC	1	YE84240200000	(1)(4)
44	MS	Level switch	SIPAI	ST-80	24VAC	1	YE15802400100	(1)(4)
45	M1	Granulating Motor	WEG	2.2kW	4.00V 50/60Hz	1	----	(1)
46	M2	Conveying blower	SHINI	0.55kW	4.00V 50/60Hz	1	----	(1)(2)
47	M2	Spring conveyor	SHINI	0.18kW	4.00V 50/60Hz	1	----	(1)(3)
48	M3	Dust Blower	SHINI	0.12kW	4.00V 50/60Hz	1	----	(1)(6)
49		Terminal fittings E/GK series	HONEYWELL	----	----	4	YE60000003900	
机 型 版 本		Ver. F	Notes:(1)Materials not in the control box;(2)Conveying blower assembly;(3)Screw spring conveyor;(4)Full mat. alarm assembly;(5)Safety relay option;(6)Dedust blower assembly;(7)VR air recycler assembly.					
			Drawer	Version	Title		Scale	Page
			Designer	0	SG-1621N		Standard	8
			Proofread by	Approved by	Elec. Parts List 2		CE	Totally 8
			Checked by	Date			Voltage	Pages
			Modify date	20200810			Frequency	3Φ4.00V
								50Hz
					SHINI			
					信易电热机械股份有限公司			
					Shini Plastics Technologies, Inc.			
					8			

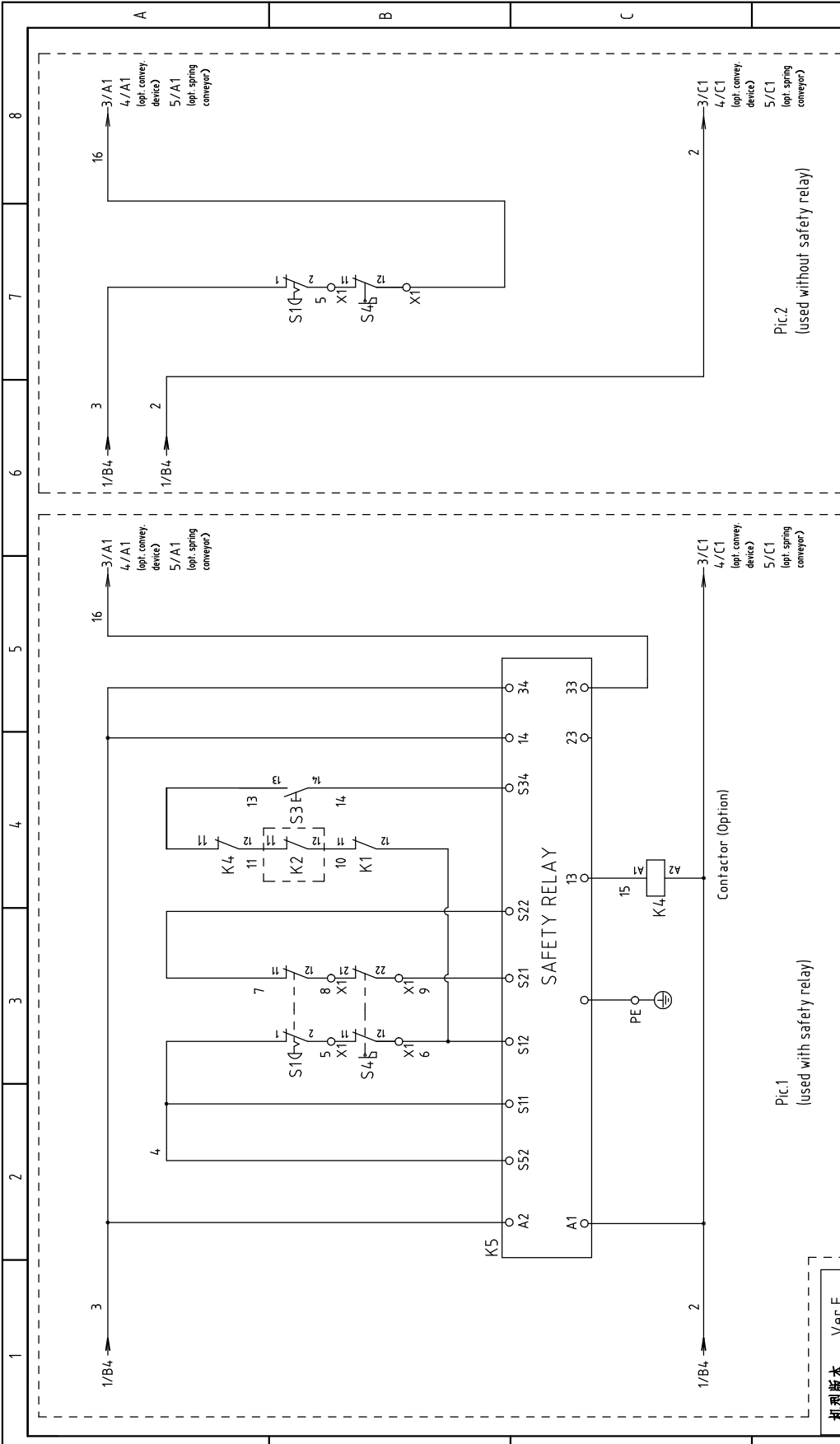


机型版本	Ver.F
Drawer	0
Designer	Approved by
Proofread by	Date
Checked by	20200810
Modified by	Modify date
After modification	
Before modification	

Notes: Use F2 thermal overload relay to protect M2 motor with optional spring conveyor.

D	Title	SG-1628N	Scale	Page 1
		Main Circuit Diagram	Standard	Totally 8
D	Drawing No.	SG-1628N-CE-400V-0-1	Standard	CE
			Standard	CE
D	Voltage	3Φ400V	Frequency	50Hz
			Frequency	50Hz





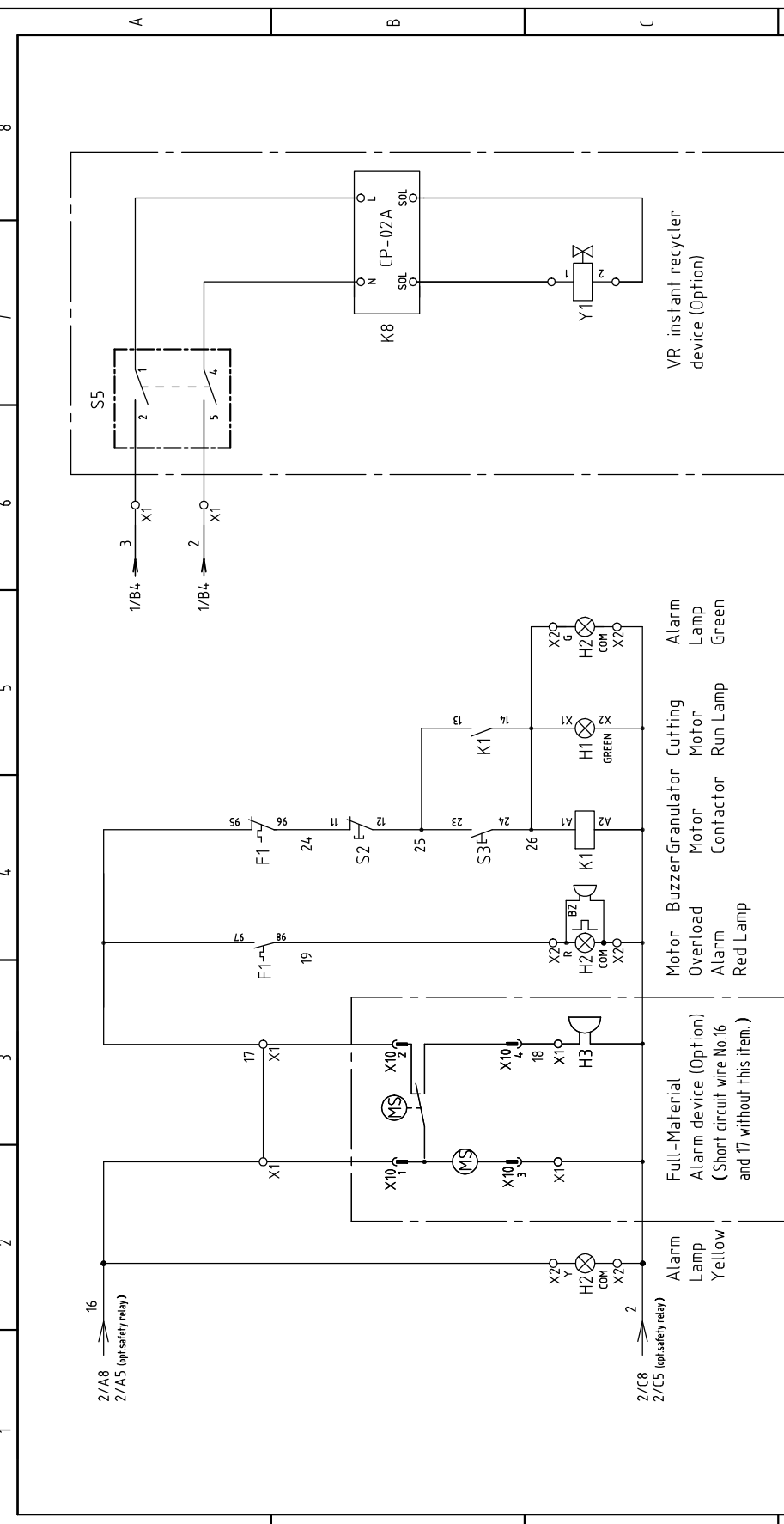
Pic.1
(used with safety relay)

Pic.2
(used without safety relay)

机型版本	Ver.F	Drawing NO.		Scale	Page
Mark	Before modification	Modified by	Modify date	Standard	Totally
				CE	8
	After modification	Approved by	Date	Voltage	Frequency
			20200810	3Φ400V	50Hz
Title		Version		Pages	
SG-1628N Control Circuit Diagram 1		0		8	
SHINI 信易電熱機械股份有限公司 Shini Plastics Technologies, Inc.					
SG-1628N-CE-400V-0-2					



1 2 3 4 5 6 7 8



Notes: This control circuit diagram is applicable when without (blower conveyor or spring conveyor) or with (VR instant recycler).

机型版本	Ver.F
Drawer	
Designer	
Proofread by	
Checked by	
Modified by	
Modify date	
Mark	
Before modification	
After modification	

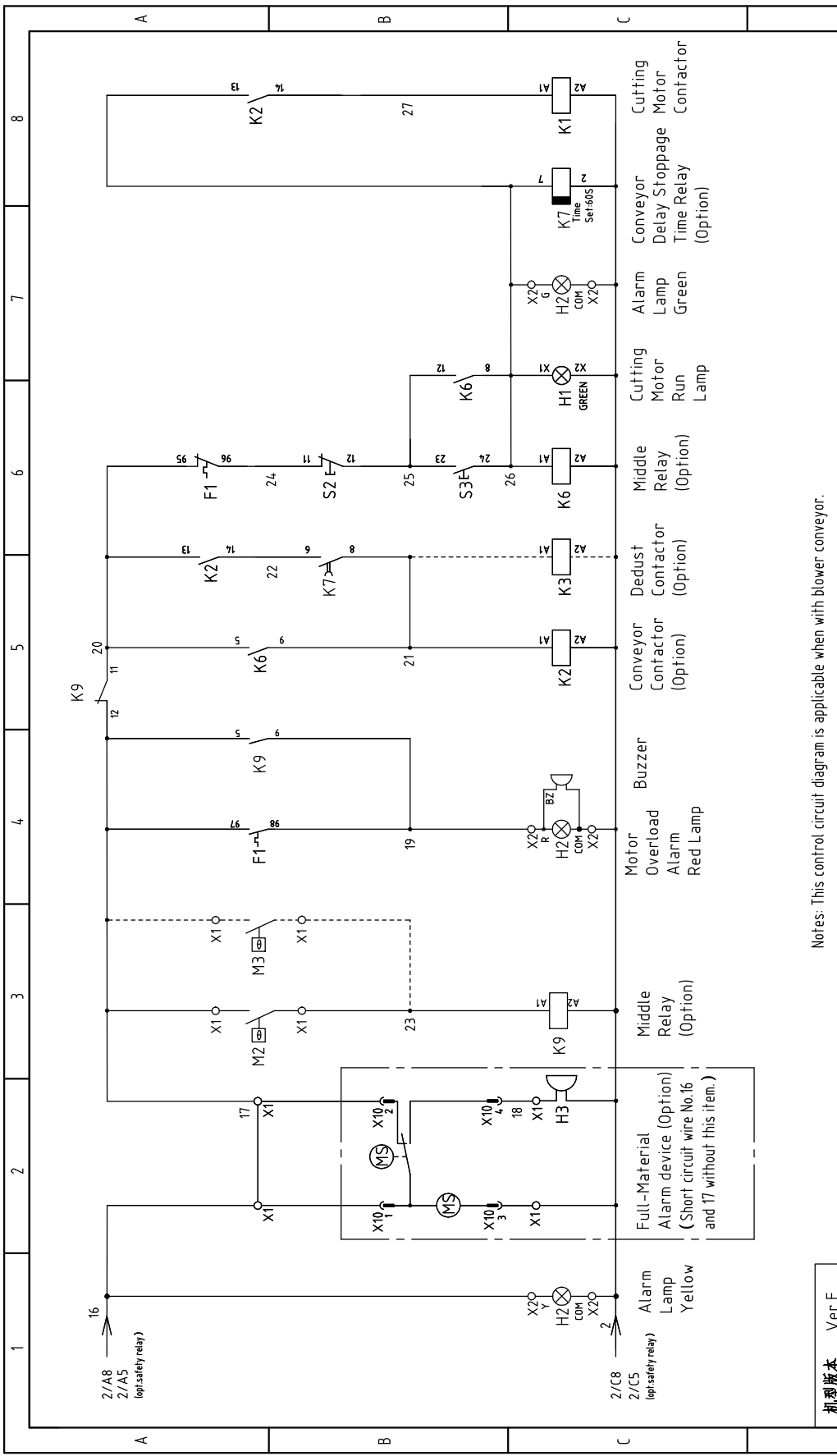
Version	0
Approved by	
Date	20200810

Title	SG-1628N Control Circuit Diagram 2
Drawing NO.	SG-1628N-CE-400V-0-3

Scale	Standard	Page	3
Standard	CE	Totally	8
Pages		Voltage	3Φ400V
Frequency		Frequency	50Hz



1 2 3 4 5 6 7 8

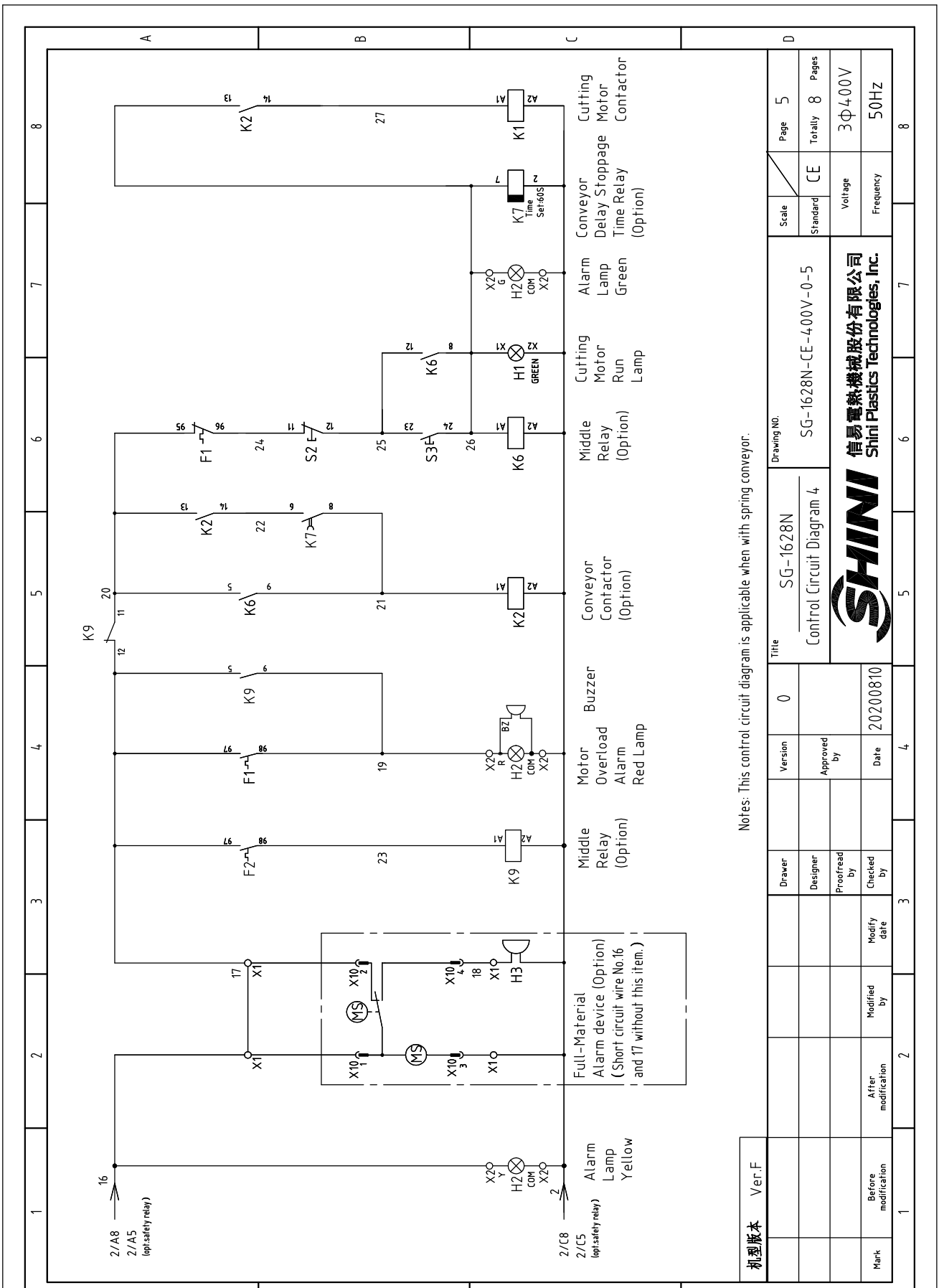


Notes: This control circuit diagram is applicable when with blower conveyor.

机型版本 Ver.F

D	Scale	Standard	CE	Page	4
		Totally	8	Pages	
D	Title	SG-1628N-CE-4.00V-0-4		Voltage	3Φ400V
		Control Circuit Diagram 3			
Drawing No.		SG-1628N-CE-4.00V-0-4			
Version		0			
Designer					
Proofread by					
Approved by					
Checked by		20200810			
Date		20200810			
Modified by					
Modify date					
Before modification					
After modification					
1	2	3	4	5	6
1		2		3	
4		5		6	
7		8		9	
10		11		12	
13		14		15	
16		17		18	
19		20		21	
22		23		24	
25		26		27	
28		29		30	
31		32		33	
34		35		36	
37		38		39	
40		41		42	
43		44		45	
46		47		48	
49		50		51	
52		53		54	
55		56		57	
58		59		60	
61		62		63	
64		65		66	
67		68		69	
70		71		72	
73		74		75	
76		77		78	
79		80		81	
82		83		84	
85		86		87	
88		89		90	
91		92		93	
94		95		96	
97		98		99	
100		101		102	



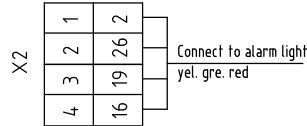
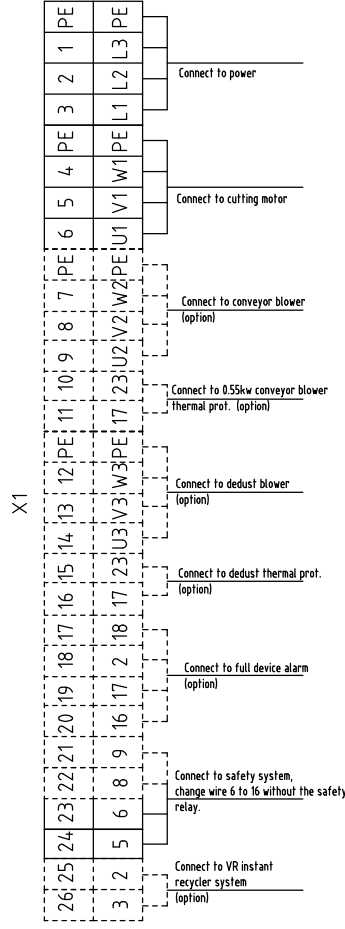
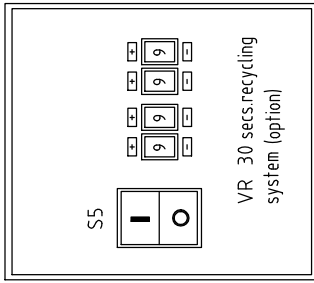
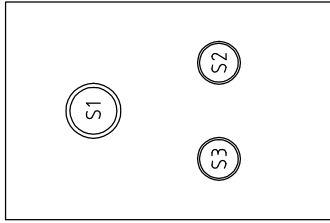
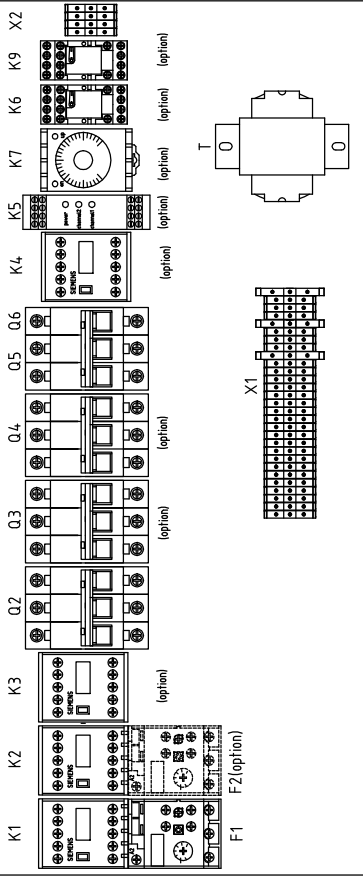


Notes: This control circuit diagram is applicable when with spring conveyor.

机型版本	Ver.F	Drawer	Designer	Proofread by	Checked by	Modify date	After modification	Before modification	Mark
Title		Version		Approved by		Date		Date	
SG-1628N Control Circuit Diagram 4		0				20200810		20200810	
Drawing NO.		Scale		Standard		Voltage		Frequency	
SG-1628N-CE-400V-0-5		Standard		CE		3φ400V		50HZ	
Page		Totally		Pages		Voltage		Frequency	
5		8		8		3φ400V		50HZ	



1 2 3 4 5 6 7 8



机型版本 Ver.F

Mark	Before modification	After modification	Modified by	Modify date	Checked by	Proofread by	Designer	Drawer	Version	0	Title SG-1628N Elec. Layout & Terminal Wiring Diagram		Drawing NO. SG-1628N-CE-400V-0-6		Scale Standard	Page 6
				20200810					Approved by						Standard	Totally 8
																Pages Voltage 3φ230V
																Frequency 50Hz



Notes: Use F2 thermal overload relay to protect M2 motor with optional spring conveyor.

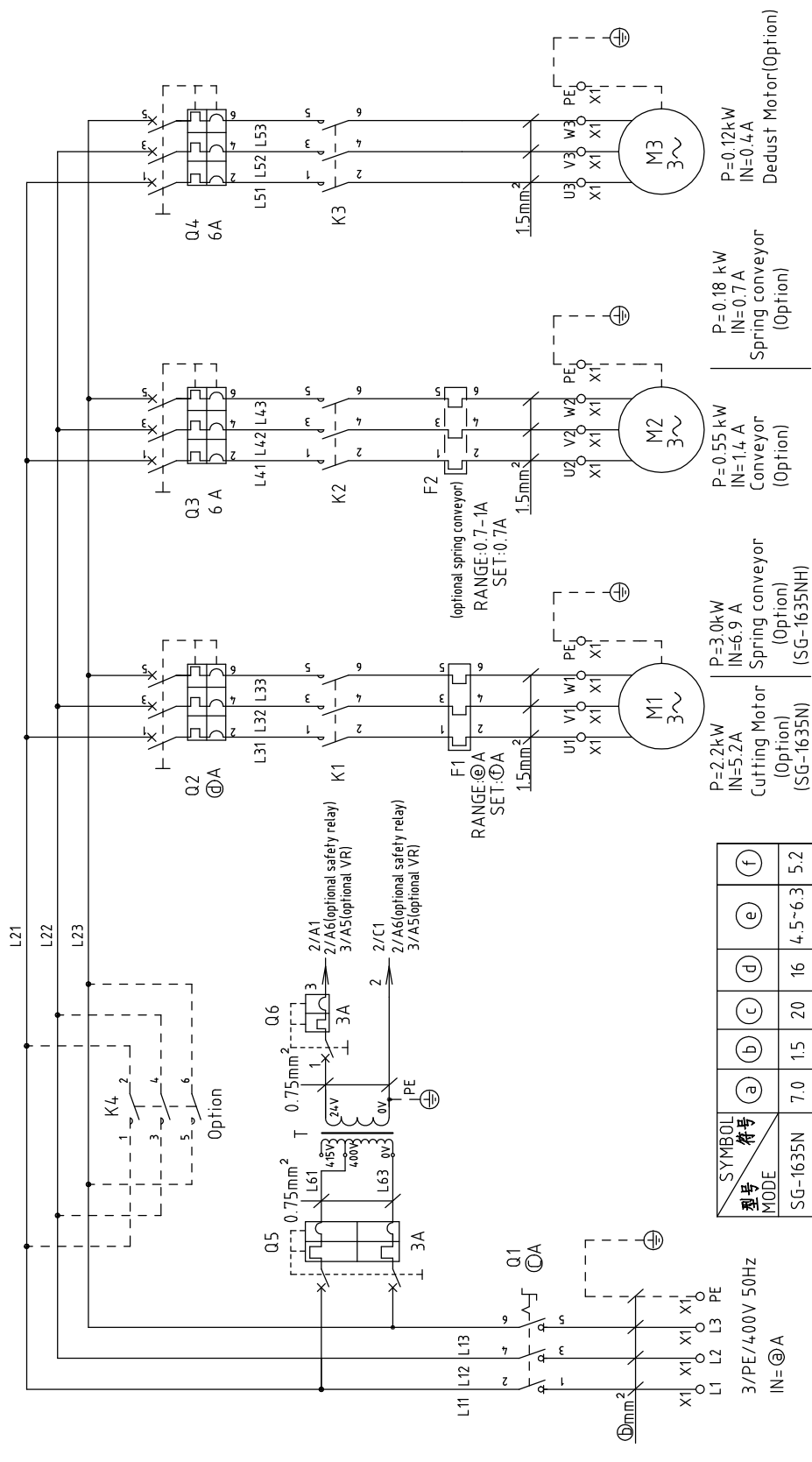
1 2 3 4 5 6 7 8

1		2		3		4		5		6		7		8		
NO.	Symbol	Name	Manufacturer	Type	Specification	Number	Material number	Remark								
1	Q1	Main switch	EATON	T0-2-1/EA/SVB/20A	20A	1	YE10021160000	(1)								
2	Q2	Circuit breaker	TECO	BM-63C/3016S	16A	1	YE40301603000									
3	Q3	Circuit breaker	TECO	BM-63C/3006S	6A	1	YE40300603000	(2)(3)								
4	Q4	Circuit breaker	TECO	BM-63C/3006S	6A	1	YE40300603000	(6)								
5	Q5	Circuit breaker	TECO	BM-63C/2003S 2P	3A	1	YE40200203000									
6	Q6	Circuit breaker	TECO	BM-63C/1003S 1P	3A	1	YE40100203000									
7	K1	Contact	SIEMENS	3RT6015-1AB01	24VAC 50/60Hz	1	YE00601502500	(5)								
8		Auxiliary contact terminal	SIEMENS	3RH6911-1HA11	1NC+1NO	1	YE00691100100	(2)(3)								
9	K2	Contact	SIEMENS	3RT6015-1AB01	24VAC 50/60Hz	1	YE00601502500	(2)(3)								
10		Auxiliary contact terminal	SIEMENS	3RH6911-1HA11	1NC+1NO	1	YE00691100100	(2)(3)								
11	K3	Contact	SIEMENS	3RT6015-1AB01	24VAC 50/60Hz	1	YE00601502500	(6)								
12	K4	Contact	SIEMENS	3RT6016-1AB02	24VAC 50/60Hz	1	YE00601602600	(5)								
13	K5	Safety relay	PILZ	PN0Z X2.8P	24VAC/DC	1	YE04023000000	(5)								
14	K6	Middle relay	Honeywell	GR-2C-AC24V	24VAC	1	YE03022400300	(2)(3)								
15	K7	Time relay	YUYUN	TRF-N/3M	24VAC	1	YE86032400000	(2)(3)								
16	K8	VR Time Dialer	YUYUN	CP-02A	24VAC	1	YE80999900600	(7)								
17	K9	Middle relay	Honeywell	GR-2C-AC24V	24VAC	1	YE03022400300	(2)(3)(6)								
18	F1	Thermal overload relay	SIEMENS	3RU6116-1GB0	4.5-6.3A	1	YE01160450000									
19	F2	Thermal overload relay	SIEMENS	3RU6116-0JB0	0.7-1A	1	YE01160700000	(3)								
20	T	Mutual transformer	BAIYUN	IN=400V/4.15V OUT=24V	120VA	1	YE70040006600									
21	X1	Terminal board	HONEYWELL	SK2.5	2.5mm ²	8	YE60002503200									
22			HONEYWELL	GK2.5PE	2.5mm ² PE	2	YE60002503400	(2)								
23			HONEYWELL	SK2.5	2.5mm ²	5	YE60002503200									
24			HONEYWELL	GK2.5PE	2.5mm ² PE	1	YE60002503400	(2)(3)								
25			HONEYWELL	SK2.5	2.5mm ²	4	YE60002503200	(4)								
机型版本		Ver.F	Notes:(1)Materials not in the control box;(2)Conveying blower assembly;(3)Screw spring conveyor;(4)Full mat. alarm assembly;(5)Safety relay option;(6)Deduct blower assembly;(7)VR air recycler assembly.													
D		Title		Drawing NO.		Scale		Page		Standard		CE		Page		
		SG-1628N		SG-1628N-CE-400V-0-7		Elec. Parts List 1		0		Voltage		3Φ400V		Totally 8 Pages		
Mark		Before modification	Modified by	Modify date	Checked by	Date	20200810		Frequency		50Hz				8	



1	2	3	4	5	6	7	8	
NO.	Symbol	Name	Manufacturer	Type	Specification	Number	Material number	Remark
A	26		HONEYWELL	SK2.5	2.5mm ²	2	YE60002503200	(5)
	27		HONEYWELL	SK2.5	2.5mm ²	5	YE60002503200	(6)
	28		HONEYWELL	GK2.5PE	2.5mm ² PE	1	YE60002503400	(6)
	29		HONEYWELL	SK2.5	2.5mm ²	2	YE60002503200	(7)
	30	Terminal board	HONEYWELL	SK2.5	2.5mm ²	4	YE60002503200	
	31	Metal connector	SHINI	254-P/R male	4P	1	YE68025400000	(1)(4)
	32		SHINI	254-P/R female	4P	1	YE68025400100	(1)(4)
	33	Emergency stop button	SCHNEIDER	XB2BS542C	400VAC	1	YE11254200000	(1)
	34	Contact block	SCHNEIDER	ZB2BE102C	1NC	1	YE00210203100	(1)(5)
	35	Stop button	SCHNEIDER	XB2BA22C	400VAC	1	YE11222000000	(1)
B	36	Start button (with light)	SCHNEIDER	XB2BW33B1C	24VAC/DC	1	YE11233100000	(1)
	37	Contact block	SCHNEIDER	ZB2BE101C	1NO	1	YE00210103100	(1)(5)
	38	Safety switch	SCHMERSRC	AZ-17-11ZK	AC-17	1	YE16171100000	(1)
	39	Safety switch	SCHMERSAL	AZ16-02ZVRK-M16-14.76-1	250V 3A	1	YE1614.7600000	(1)(5)
	40	Operating moving parts	SCHMERSRC	AZ17-B6	AC-17	1	YE16176000000	(1)
	41	Alternative switch	----	R11-8/4P	24VAC/DC	1	YE101184.00000	(7)
	42	Three-way alarm lamp	SHINI	Red. gre. yel.+buzzer	24VAC	1	BL90002401520	(1)
	43	Buzzer	TEND	EA-2	24VAC	1	YE84.240200000	(1)(4)
C	44	Level switch	SIPAI	ST-80	24VAC	1	YE15802400100	(1)(4)
	45	Granulating Motor	WEG	2.2kW	400V 50/60Hz	1	----	(1)
	46	Conveying blower	SHINI	0.55kW	400V 50/60Hz	1	----	(1)(2)
	47	Spring conveyer	SHINI	0.18kW	400V 50/60Hz	1	----	(1)(3)
	48	Dust Blower	SHINI	0.12kW	400V 50/60Hz	1	----	(1)(6)
	49	Terminal fittings E/GK series	HONEYWELL	----	----	4	YE60000003900	
机型号本		Ver.F	Notes:(1)Materials not in the control box;(2)Conveying blower assembly;(3)Screw spring conveyor;(4)Full mat. alarm assembly;(5)Safety relay option;(6)Dedust blower assembly;(7)VR air recycler assembly.					
D			Drawer	Version	Title	Drawing NO.		Scale
			Designer	Approved by	SG-1628N	SG-1628N-CE-400V-0-8		Standard
			Proofread by	Date	Elec. Parts List 2		CE	
			Checked by	20200810			Voltage	
	Before modification	Modified by	Modify date				Frequency	
							3φ400V	
							50HZ	
1	2	3	4	5	6	7	8	
								Page 8
								Totally 8
								Pages





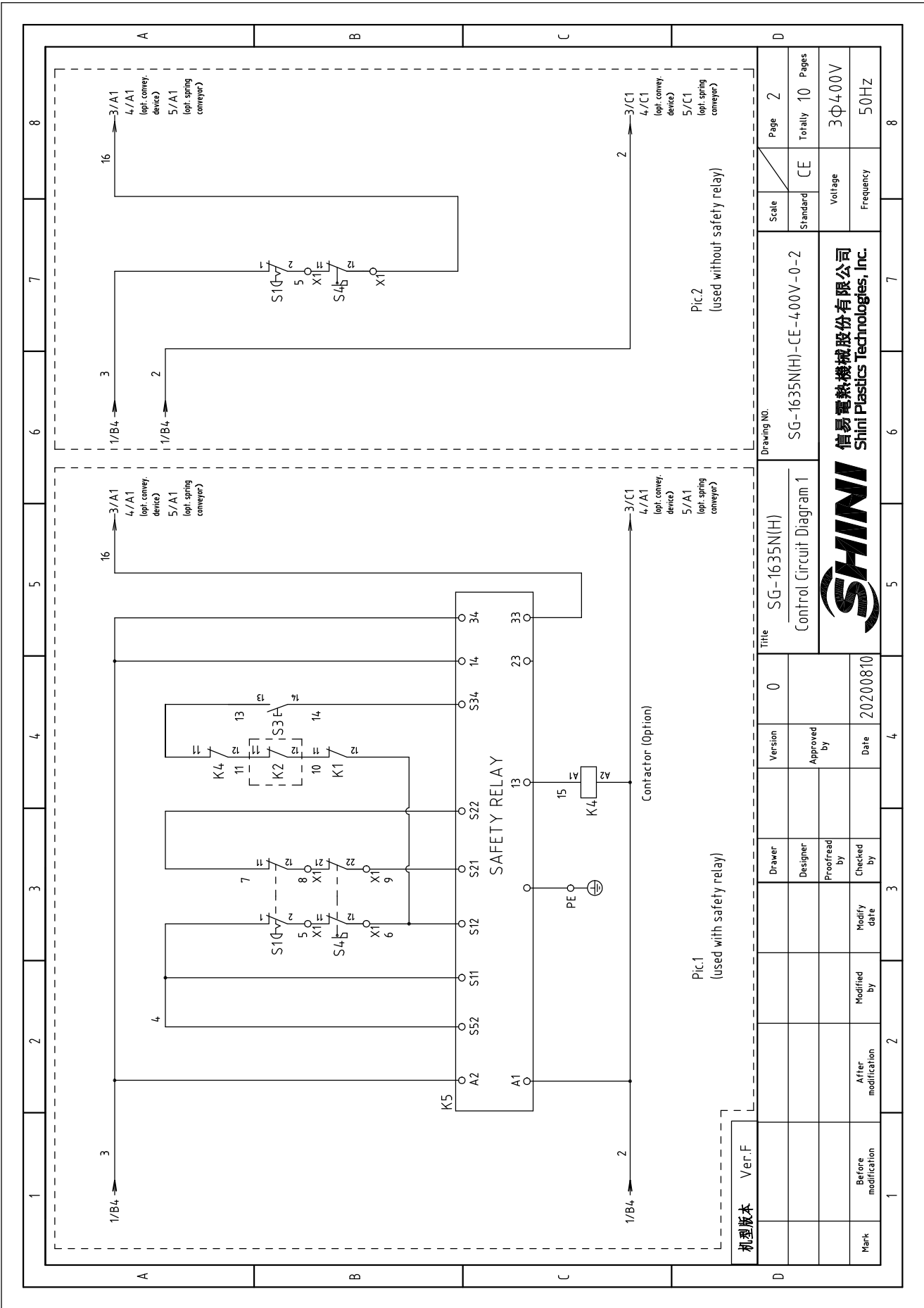
机 型 版 本 Ver.F

Rank	Before modification	After modification	Modified by	Modify date	Checked by	Proofread by	Designer	Drawer	Version	Title	Scale	Page
				20200810					0	SG-1635N(H) Main Circuit Diagram	Standard CE	1
											Standard	Totally 10
											Voltage	3Φ400V
											Frequency	50Hz

Notes: Use F2 thermal overload relay to protect M2 motor with optional spring conveyor.

SYMBOL	符号	(a)	(b)	(c)	(d)	(e)	(f)
型号	MODE	7.0	1.5	20	16	4.5~6.3	5.2
SG-1635N		9.0	1.5	20	16	5.5~8	6.9





Pic.1
(used with safety relay)

Pic.2
(used without safety relay)

初型版本	Ver.F
Mark	Before modification
	After modification
	Modified by
	Modify date
	Checked by
	Proofread by
	Designer
	Drawer
	Version
	0

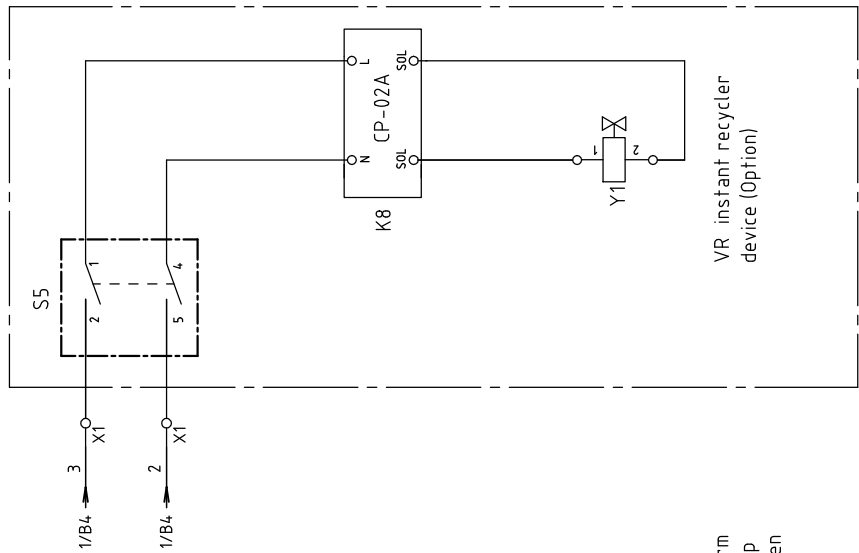
Title		SG-1635N(H)	
Control Circuit Diagram 1		SG-1635N(H)-CE-4.00V-0-2	
Date		20200810	

Drawing NO.	Scale	Page
SG-1635N(H)-CE-4.00V-0-2	Standard	2
信易電熱機械股份有限公司 Shini Plastics Technologies, Inc.	CE	Totally 10 Pages
	Voltage	3Φ400V
	Frequency	50Hz

1	2	3	4	5	6	7	8
---	---	---	---	---	---	---	---

1	2	3	4	5	6	7	8
---	---	---	---	---	---	---	---

A	B	C	D
---	---	---	---

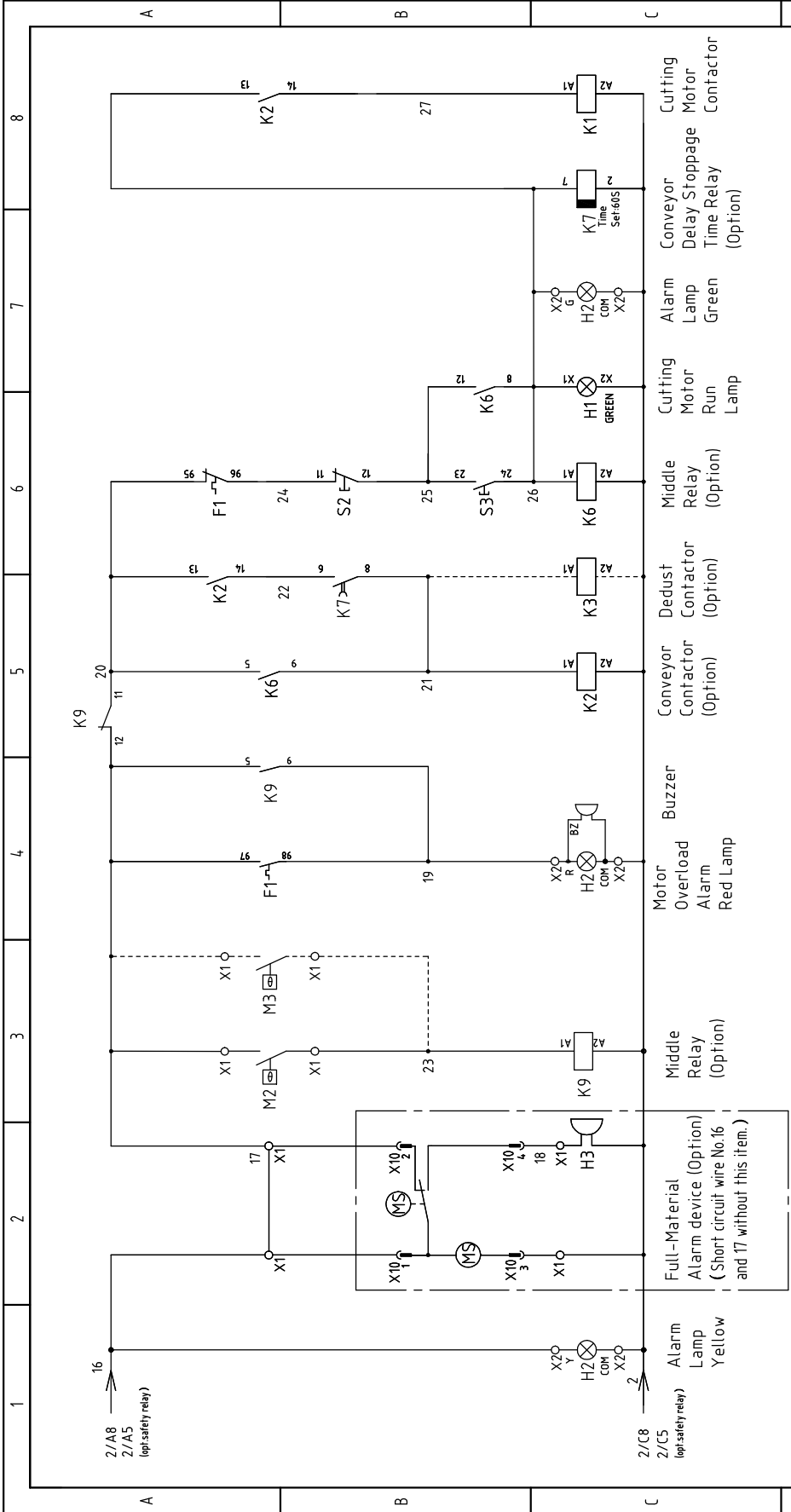


Notes: This control circuit diagram is applicable when without (blower conveyor or spring conveyor) or with (VR instant recycler).

机型版本	Ver.F	Version	0	Title	SG-1635N(H)	Drawing NO.	SG-1635N(H)-CE-400V-0-3	Scale	CE	Page	3
					Control Circuit Diagram 2		Standard		Totally		10
Mark	Before modification	Approved by		Proofread by		Date	20200810	Voltage	3φ	Frequency	400V
	After modification								50HZ		



信易电热机械股份有限公司
Shini Plastics Technologies, Inc.



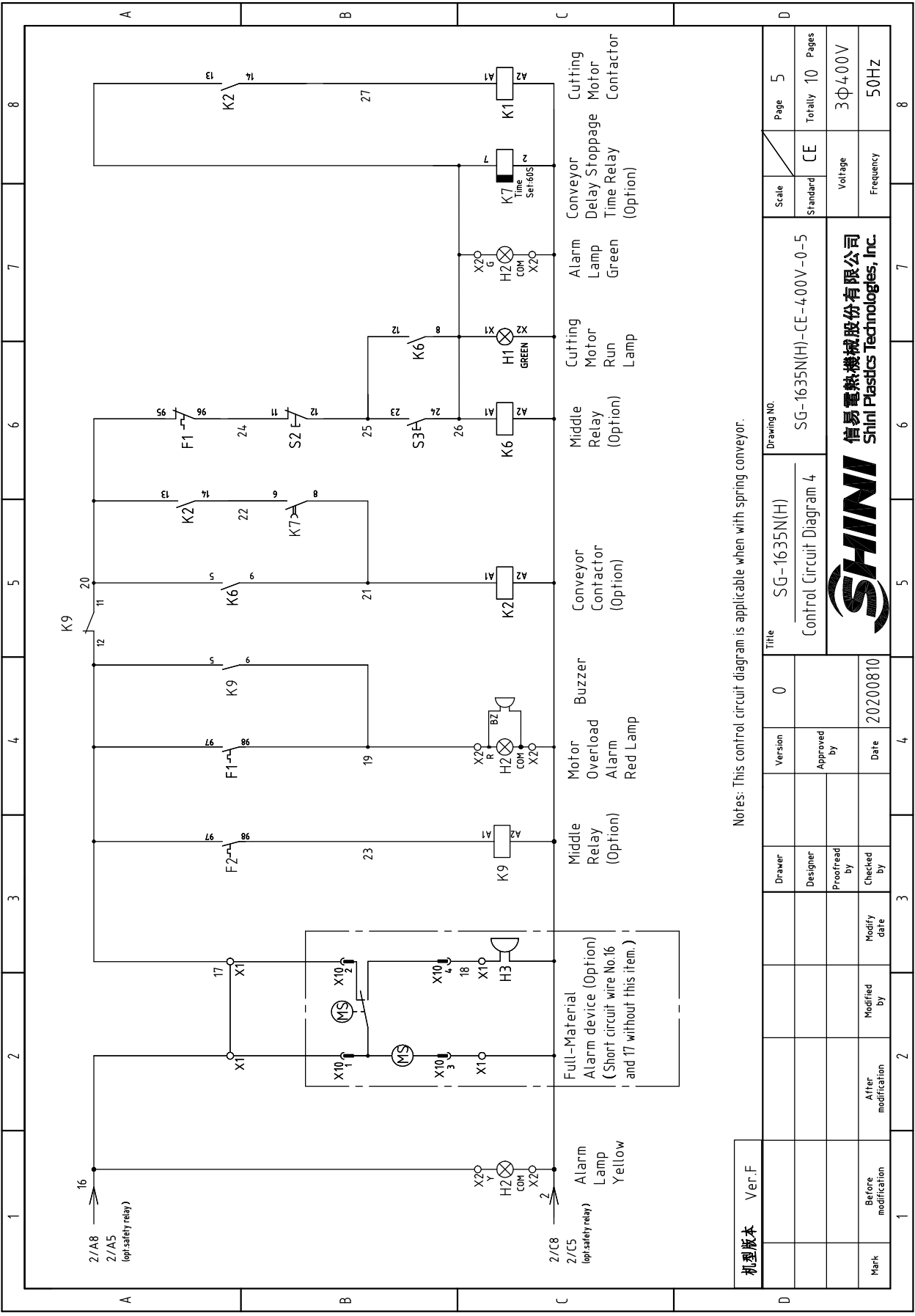
Notes: This control circuit diagram is applicable when with blower conveyor.

机型版本	Ver.F
Mark	Before modification
	After modification
	Modified by
	Modify date
	Checked by
	Date
	20200810
	Approved by
	Designer
	Proofread by
	Version
	0

Title		SG-1635N(H)	
Drawing NO.		SG-1635N(H)-CE-4-00V-0-4	
Control Circuit Diagram 3			
Scale		Page 4	
Standard		CE	
Voltage		3Φ400V	
Frequency		50Hz	



信易電熱機械股份有限公司
Shini Plastics Technologies, Inc.



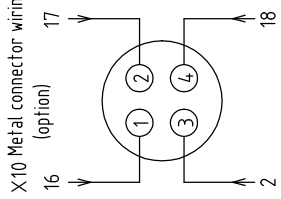
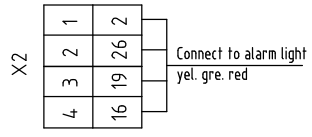
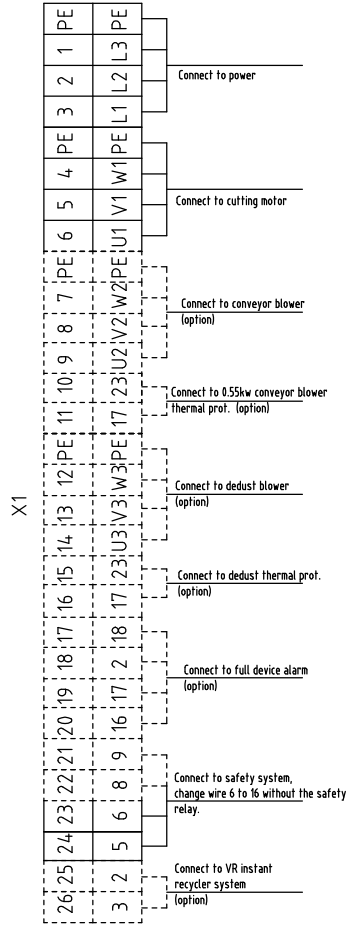
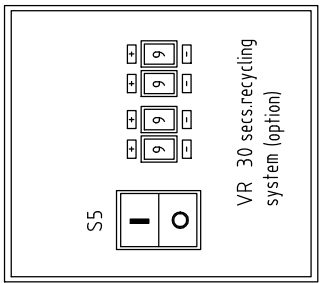
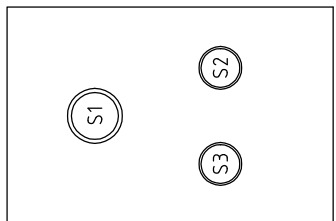
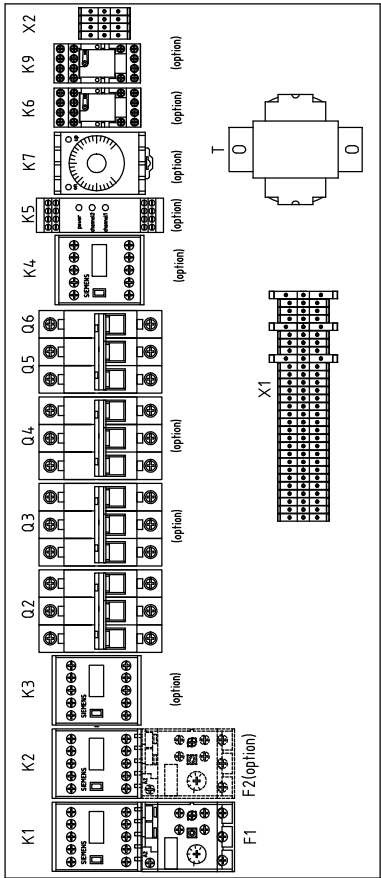
Notes: This control circuit diagram is applicable when with spring conveyor.

机型版本	Ver.F
Mark	Before modification
After modification	Modify date
Checked by	20200810
Approved by	
Version	0

Title	SG-1635N(H)	Scale	Page
Control Circuit Diagram 4	SG-1635N(H)-CE-4.00V-0-5	Standard	5
SHINI 信易電熱機械股份有限公司 Shini Plastics Technologies, Inc.		Voltage	Totally
		3Φ4.00V	10
		Frequency	Pages
		50HZ	8

1 2 3 4 5 6 7 8

A B C D



机型版本	Ver.F	Version	0	Title	SG-1635N(H)	Scale	Standard	Page	6
Drawer		Approved by		Elec. Layout & Terminal Wiring Diagram		Standard	CE	Totally	8
Designer		Checked by		SG-1635N(H)-CE-4.00V-0-6		Standard	CE	Voltage	3Φ230V
Proofread by		Modify date		信易电热机械股份有限公司 Shini Plastics Technologies, Inc.		Standard	CE	Frequency	50Hz
Mark	Before modification	Modified by	20200810			Standard	CE	Voltage	3Φ230V
	After modification	Modify date				Standard	CE	Frequency	50Hz
1	2	3	4	5	6	7	8		

Notes: Use F2 thermal overload relay to protect M2 motor with optional spring conveyor.

机型版本	Ver.F	Version	0	Title	SG-1635N(H)	Scale	Standard	Page	6
Drawer		Approved by		Elec. Layout & Terminal Wiring Diagram		Standard	CE	Totally	8
Designer		Checked by		SG-1635N(H)-CE-4.00V-0-6		Standard	CE	Voltage	3Φ230V
Proofread by		Modify date		信易电热机械股份有限公司 Shini Plastics Technologies, Inc.		Standard	CE	Frequency	50Hz
Mark	Before modification	Modified by	20200810			Standard	CE	Voltage	3Φ230V
	After modification	Modify date				Standard	CE	Frequency	50Hz
1	2	3	4	5	6	7	8		

1		2		3		4		5		6		7		8										
NO.	Symbol	Name	Manufacturer	Type	Specification	Number	Material number	Remark																
1	Q1	Main switch	EATON	T0-2-1/EA/SVB/20A	20A	1	YE10021160000	(1)																
2	Q2	Circuit breaker	TECO	BM-63C/3016S	16A	1	YE40301603000																	
3	Q3	Circuit breaker	TECO	BM-63C/3006S	6A	1	YE40300603000	(2)(3)																
4	Q4	Circuit breaker	TECO	BM-63C/3006S	6A	1	YE40300603000	(6)																
5	Q5	Circuit breaker	TECO	BM-63C/2003S 2P	3A	1	YE40200203000																	
6	Q6	Circuit breaker	TECO	BM-63C/1003S 1P	3A	1	YE40100203000																	
7	K1	Contact	SIEMENS	3RT6015-1AB01	24VAC 50/60Hz	1	YE00601502500																	
8	K2	Auxiliary contact terminal	SIEMENS	3RH6911-1HA11	1NC+1NO	1	YE00691100100	(5)																
9	K3	Contact	SIEMENS	3RT6015-1AB01	24VAC 50/60Hz	1	YE00601502500	(2)(3)																
10	K4	Auxiliary contact terminal	SIEMENS	3RH6911-1HA11	1NC+1NO	1	YE00691100100	(2)(3)																
11	K5	Contact	SIEMENS	3RT6015-1AB01	24VAC 50/60Hz	1	YE00601502500	(6)																
12	K6	Contact	SIEMENS	3RT6016-1AB02	24VAC 50/60Hz	1	YE00601602600	(5)																
13	K7	Safety relay	PILZ	PN0Z X2.8P	24VAC/DC	1	YE04023000000	(5)																
14	K8	Middle relay	Honeywell	GR-2C-AC24V	24VAC	1	YE03022400300	(2)(3)																
15	K9	Time relay	YUYUN	TRF-N/3M	24VAC	1	YE86032400000	(2)(3)																
16	F1	VR Time Dialer	YUYUN	CP-02A	24VAC	1	YE80999900600	(7)																
17	F2	Middle relay	Honeywell	GR-2C-AC24V	24VAC	1	YE03022400300	(2)(3)(6)																
18	T	Thermal overload relay	SIEMENS	3RU6116-0JB0	4.5-6.3A	1	YE01160450000	(3)																
19	X1	Thermal overload relay	SIEMENS	3RU6116-0JB0	0.7-1A	1	YE01160700000																	
20	X2	Mutual transformer	BAIYUN	IN=400V/415V OUT=24V	120VA	1	YE70040006600																	
21	X3	Terminal board	HONEYWELL	SK2.5	2.5mm ²	8	YE60002503200																	
22	X4		HONEYWELL	GK2.5PE	2.5mm ² PE	2	YE60002503400																	
23	X5		HONEYWELL	SK2.5	2.5mm ²	5	YE60002503200	(2)																
24	X6		HONEYWELL	GK2.5PE	2.5mm ² PE	1	YE60002503400	(2)(3)																
25	X7		HONEYWELL	SK2.5	2.5mm ²	4	YE60002503200	(4)																
机罩版本		Ver.F	Notes:(1)Materials not in the control box,(2)Conveying blower assembly,(3)Screw spring conveyor,(4)Full mat. alarm assembly,(5)Safety relay option,(6)Deduct blower assembly,(7)VR air recycler assembly.																					
Mark		Before modification	After modification	Modified by	Modify date	Checked by	Version	0	Title		SG-1635N		Drawing NO.		SG-1635N(H)-CE-400V-0-7		Scale		CE		Page		7	
							Approved by		Elec. Parts List 1								Standard		Voltage		Totally		10	
							Date	20200810									Frequency		3Φ400V		50Hz		8	



1		2		3		4		5		6		7		8	
N.O.	Symbol	Name	Manufacturer	Type	Specification	Number	Material number	Remark							
26			HONEYWELL	SK2.5	2.5mm ²	2	YE60002503200	(5)							
27			HONEYWELL	SK2.5	2.5mm ²	5	YE60002503200	(6)							
28			HONEYWELL	GK2.5PE	2.5mm ² PE	1	YE60002503400	(6)	A						
29			HONEYWELL	SK2.5	2.5mm ²	2	YE60002503200	(7)							
30	X2	Terminal board	HONEYWELL	SK2.5	2.5mm ²	4	YE60002503200								
31	X10	Metal connector	SHINI	254-P/R male	4P	1	YE68025400000	(1)(4)							
32			SHINI	254-P/R female	4P	1	YE68025400100	(1)(4)							
33	S1	Emergency stop button	SCHNEIDER	XB2BSS42C	400VAC	1	YE11254200000	(1)							
34		Contact block	SCHNEIDER	ZB2BE102C	1NC	1	YE00210203100	(1)(5)							
35	S2	Stop button	SCHNEIDER	XB2BA22C	400VAC	1	YE11222000000	(1)							
36	S3,H1	Start button (with light)	SCHNEIDER	XB2BW33B1C	24VAC/DC	1	YE11233100000	(1)	B						
37		Contact block	SCHNEIDER	ZB2BE101C	1NO	1	YE00210103100	(1)(5)							
38	S4	Safety switch	SCHMERSRC	AZ-17-11ZK	AC-17	1	YE16171100000	(1)							
39	S4	Safety switch	SCHMERSAL	AZ16-02ZVRK-M16-1476-1	250V 3A	1	YE16147600000	(1)(5)							
40		Operating moving parts	SCHMERSRC	AZ17-B6	AC-17	1	YE16176000000	(1)							
41	S5	Alternative switch	----	R11-8/4P	24VAC/DC	1	YE10118400000	(7)							
42	H2	Three-color alarm lamp	SHINI	Red. gre. yel.+buzzer	24VAC	1	BL90002401520	(1)							
43	H3	Buzzer	TEND	EA-2	24VAC	1	YE84240200000	(1)(4)							
44	MS	Level sensor	SIPAI	ST-80	24VAC	1	YE15802400100	(1)(4)	C						
45	M1	Granulating motor	WEG	2.2kW	400V 50/60Hz	1	----	(1)							
46	M2	Conveying blower	SHINI	0.55kW	400V 50/60Hz	1	----	(1)(2)							
47	M2	Spring conveyer	SHINI	0.18kW	400V 50/60Hz	1	----	(1)(3)							
48	M3	Dust Blower	SHINI	0.12kW	400V 50/60Hz	1	----	(1)(6)							
49		Terminal fittings E/GK series	HONEYWELL	----	----	4	YE60000003900								
机型号版本 Ver.F															
Notes: (1)Materials not in the control box; (2)Conveying blower assembly; (3)Screw spring conveyor; (4)Full mat. alarm assembly; (5)Safety relay option; (6)Dedust blower assembly; (7)VR air recycler assembly.															
D				Title		Version		Scale		Page		8		D	
				SG-1635N		0		Standard		CE		Totally		10 Pages	
				Elec. Parts List 2		Approved by		SG-1635N(H)-CE-400V-0-8		Voltage		3Φ400V		Frequency	
Mark		Before modification		After modification		Modified by		Modify date		Date		20200810		50HZ	
1		2		3		4		5		6		7		8	



信易电热机械股份有限公司
Shini Plastics Technologies, Inc.

1		2		3		4		5		6		7		8	
NO.	Symbol	Name	Manufacturer	Type	Specification	Number	Material number	Remark							
1	Q1	Main switch	EATON	T0-2-1/EA/SVB/20A	20A	1	YE10021160000	(1)							
2	Q2	Circuit breaker	TECO	BM-63C/3016S	16A	1	YE40301603000								
3	Q3	Circuit breaker	TECO	BM-63C/3006S	6A	1	YE40300603000	(2)(3)							
4	Q4	Circuit breaker	TECO	BM-63C/3006S	6A	1	YE40300603000	(6)							
5	Q5	Circuit breaker	TECO	BM-63C/2003S 2P	3A	1	YE40200203000								
6	Q6	Circuit breaker	TECO	BM-63C/1003S 1P	3A	1	YE40100203000								
7	K1	Contact	SIEMENS	3RT6016-1AB01	24VAC 50/60Hz	1	YE00601602500								
8		Auxiliary contact terminal	SIEMENS	3RH6911-1HA11	1NC+1NO	1	YE00691100100	(5)							
9	K2	Contact	SIEMENS	3RT6015-1AB01	24VAC 50/60Hz	1	YE00601502500	(2)(3)							
10		Auxiliary contact terminal	SIEMENS	3RH6911-1HA11	1NC+1NO	1	YE00691100100	(2)(3)							
11	K3	Contact	SIEMENS	3RT6015-1AB01	24VAC 50/60Hz	1	YE00601502500	(6)							
12	K4	Contact	SIEMENS	3RT6017-1AB02	24VAC 50/60Hz	1	YE00601702600	(5)							
13	K5	Safety relay	PILZ	PN0Z X2.8P	24VAC/DC	1	YE04023000000	(5)							
14	K6	Middle relay	Honeywell	GR-2C-AC24V	24VAC	1	YE03022400300	(2)(3)							
15	K7	Time relay	YUYUN	TRF-N/3M	24VAC	1	YE86032400000	(2)(3)							
16	K8	VR time dialer	YUYUN	CP-02A	24VAC	1	YE80999900600	(7)							
17	K9	Middle relay	Honeywell	GR-2C-AC24V	24VAC	1	YE03022400300	(2)(3)(6)							
18	F1	热过载继电器/Overload relay	SIEMENS	3RU6116-1JB0	7-10A	1	YE01167400000	Cancel							
19	F1	Thermal overload relay	SIEMENS	3RU6116-1HB0	5.5-8A	1	YE01160550000	Increase							
20	F2	Thermal overload relay	SIEMENS	3RU6116-0JB0	0.7-1A	1	YE01160700000	(3)							
21	T	Mutual transformer	BAIYUN	IN=400V/4.15V OUT=24V	120VA	1	YE70040006600								
22	X1	Terminal board	HONEYWELL	SK2.5	2.5mm ²	8	YE60002503200								
23			HONEYWELL	GK2.5PE	2.5mm ² PE	2	YE60002503400								
24			HONEYWELL	SK2.5	2.5mm ²	5	YE60002503200	(2)							
25			HONEYWELL	GK2.5PE	2.5mm ² PE	1	YE60002503400	(2)(3)							
机型号版本 Ver.F Notes:(1)Materials not in the control box;(2)Conveying blower assembly;(3)Screw spring conveyor;(4)Full mat. alarm assembly;(5)Safety relay option;(6)Deduct blower assembly;(7)VR air recycler assembly.															
		Drawer		Version		Title		Drawing NO.		Scale		Page		9	
		Designer		Approved by		SG-1635NH		SG-1635N(H)-CE-400V-0-9		Standard		CE		Totally 10 Pages	
		Proofread by		Date		Elec. Parts List 4				Voltage		3Φ4.00V			
Mark		After modification		Modified by		20200810				Frequency		50Hz			
1		2		3		4		5		6		7		8	



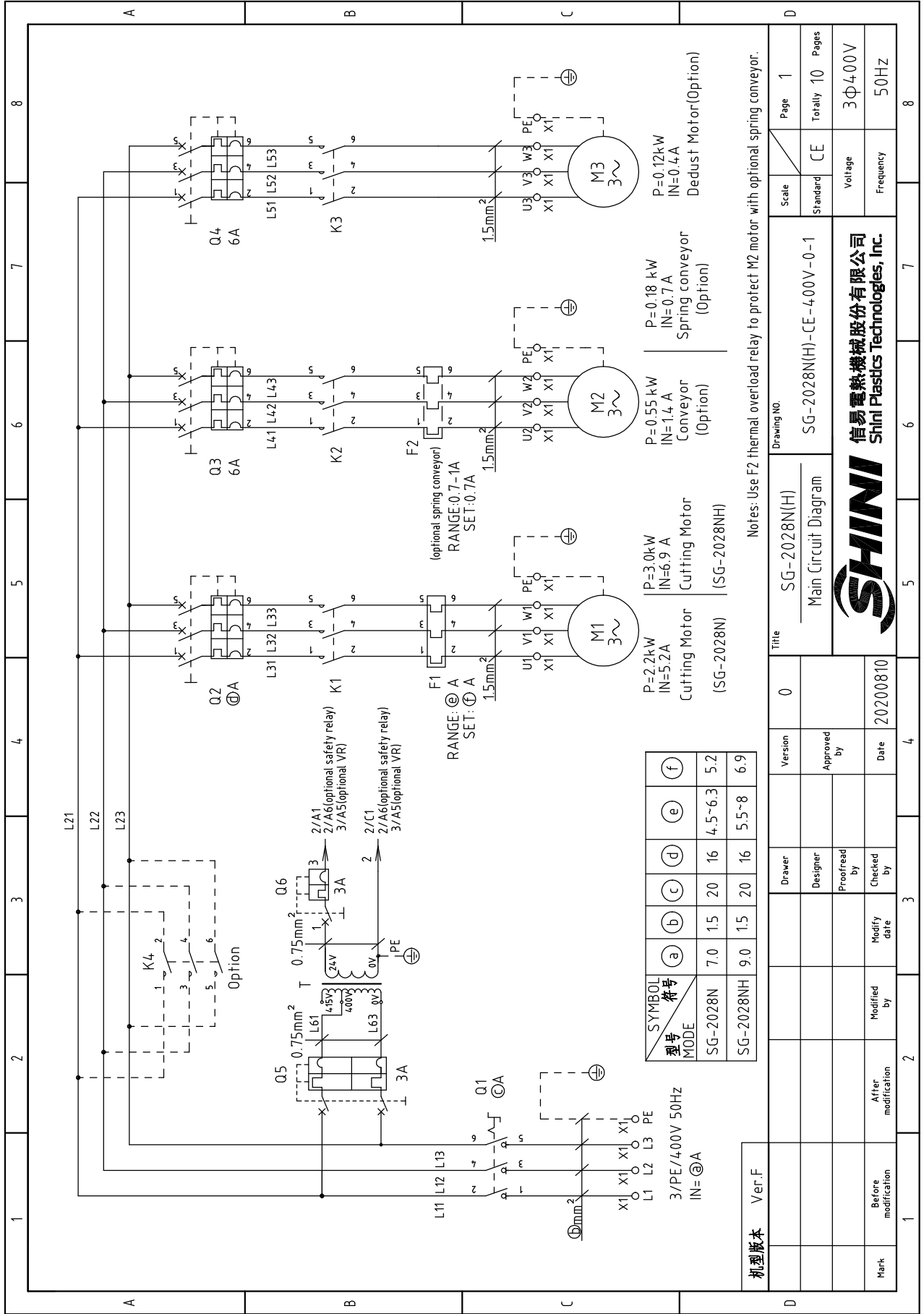
1	2	3	4	5	6	7	8
NO.	Symbol	Name	Manufacturer	Type	Specification	Number	Material number
26			HONEYWELL	SK2.5	2.5mm ²	4	YE60002503200
27			HONEYWELL	SK2.5	2.5mm ²	2	YE60002503200
28			HONEYWELL	SK2.5	2.5mm ²	5	YE60002503200
29			HONEYWELL	GK2.5PE	2.5mm ² PE	1	YE60002503400
30			HONEYWELL	SK2.5	2.5mm ²	2	YE60002503200
31	X2	Terminal board	HONEYWELL	SK2.5	2.5mm ²	4	YE60002503200
32	X10	Metal connector	SHINI	254-P/R male	4P	1	YE680254-00000
33			SHINI	254-P/R female	4P	1	YE680254-00100
34	S1	Emergency stop button	SCHNEIDER	XB2BS542C	400VAC	1	YE11254-200000
35		Contact block	SCHNEIDER	ZB2BE102C	1NC	1	YE00210203100
36	S2	Stop button	SCHNEIDER	XB2BA22C	400VAC	1	YE11222000000
37	S3,H1	Start button (with light)	SCHNEIDER	XB2BW33B1C	24VAC/DC	1	YE11233100000
38		Contact block	SCHNEIDER	ZB2BE101C	1NO	1	YE002103100
39	S4	Safety switch	SCHMERSRC	AZ-17-11ZK	AC-17	1	YE16171100000
40		Operating moving parts	SCHMERSRC	AZ17-B6	AC-17	1	YE16176000000
41	S4	Safety switch	SCHMERSAL	AZ16-02ZVRK-M16-14-76-1	250V 3A	1	YE1614-7600000
42	S5	Alternative switch	----	R210-C5LW4P	----	1	YE102104-00000
43	H2	Three-color alarm lamp	SHINI	Red. gre. yel.-buzzer	24VAC	1	BL900024-01520
44	H3	Buzzer	TEND	EA-2	24VAC	1	YE84-24-0200000
45	MS	Level sensor	SIPAI	ST-80	24VAC	1	YE158024-00100
46	M1	Granulating Motor	WEG	3.0kW	400V 50/60Hz	1	----
47	M2	Conveying blower	SHINI	0.55kW	400V 50/60Hz	1	----
48	M2	Spring conveyor	SHINI	0.18kW	400V 50/60Hz	1	----
49	M3	Dedust blower	SHINI	0.12kW	400V 50/60Hz	1	----
50		Terminal fittings E/GK series	HONEYWELL	----	----	4	YE60000003900

机型版本 Ver.F Notes:(1)Materials not in the control box;(2)Conveying blower assembly;(3)Screw spring conveyor;(4)Full mat. alarm assembly;(5)Safety relay option;(6)Dedust blower assembly;(7)VR air recycler assembly.

D		Drawing NO.		Scale		Page	
1	2	3	4	5	6	7	8
Mark	Before modification	After modification	Modified by	Modify date	Checked by	Date	20200810
		Proofread by	Approved by	Version	0	Title	SG-1635NH
		Designer	Approved by	Elec. Parts List 5		SG-1635N(H)-CE-4.00V-0-10	
		Drawer	Version	0		Page 10	
				Standard		CE	
				Voltage		3Φ400V	
				Frequency		50HZ	
				Totally		10 Pages	



信易電熱機械股份有限公司
Shini Plastics Technologies, Inc.



SYMBOL 符号	(a)	(b)	(c)	(d)	(e)	(f)
型号 MODE	SG-2028N	7.0	1.5	20	16	4.5~6.3
	SG-2028NH	9.0	1.5	20	16	5.5~8
						5.2
						6.9

机型版本	Ver.F
Before modification	
After modification	
Mark	

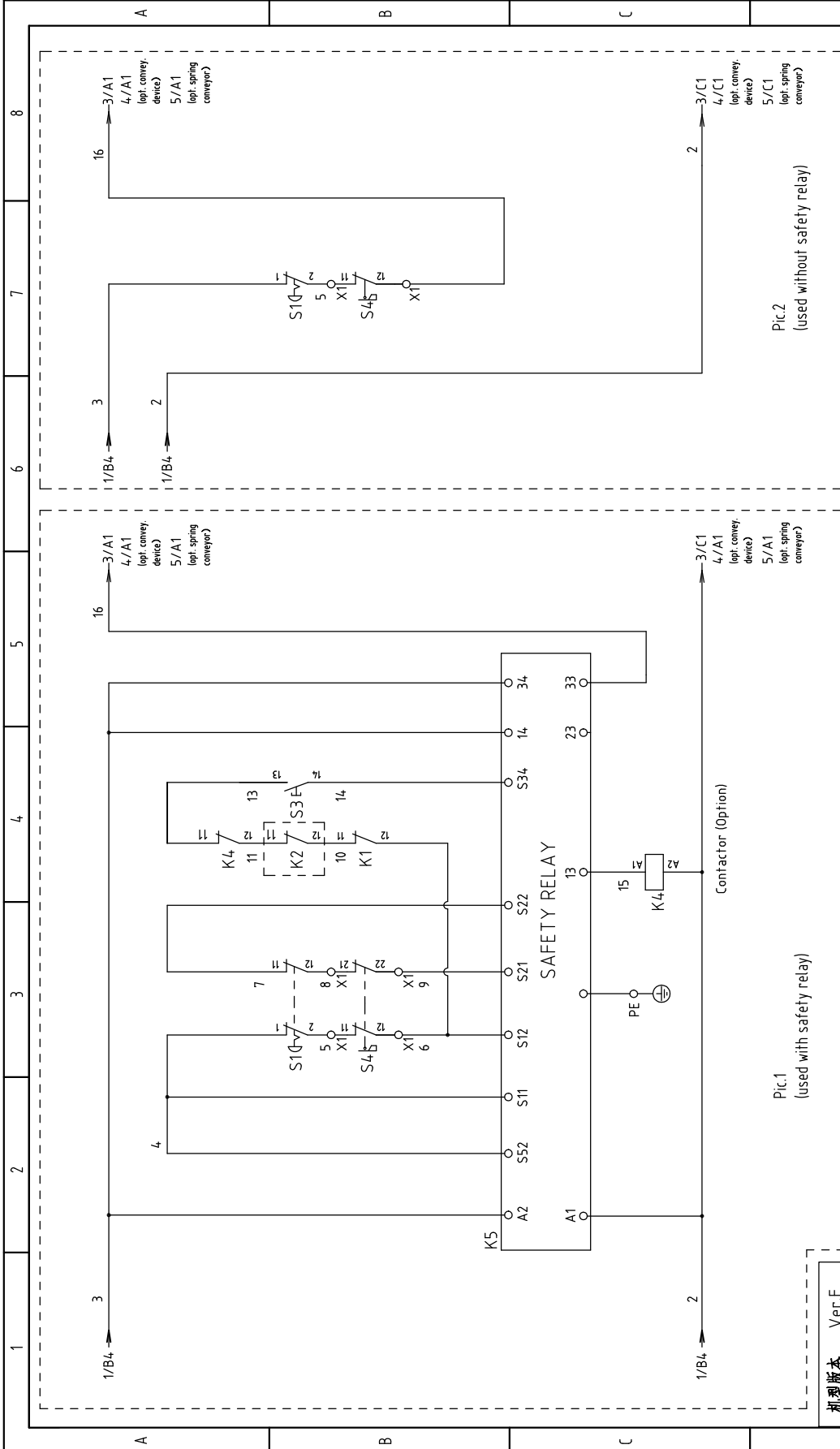
Ver.F	0	SG-2028N(H)	SG-2028N(H)-CE-400V-0-1	Scale	Page 1
0	0	Main Circuit Diagram	SG-2028N(H)-CE-400V-0-1	Standard	Totally 10
0	0			CE	Pages
					3φ400V
					50Hz

Version	Approved by	Date
0		20200810
0		
0		

Notes: Use F2 thermal overload relay to protect M2 motor with optional spring conveyor.



信易電熱機械股份有限公司
Shini Plastics Technologies, Inc.



Pic.1
(used with safety relay)

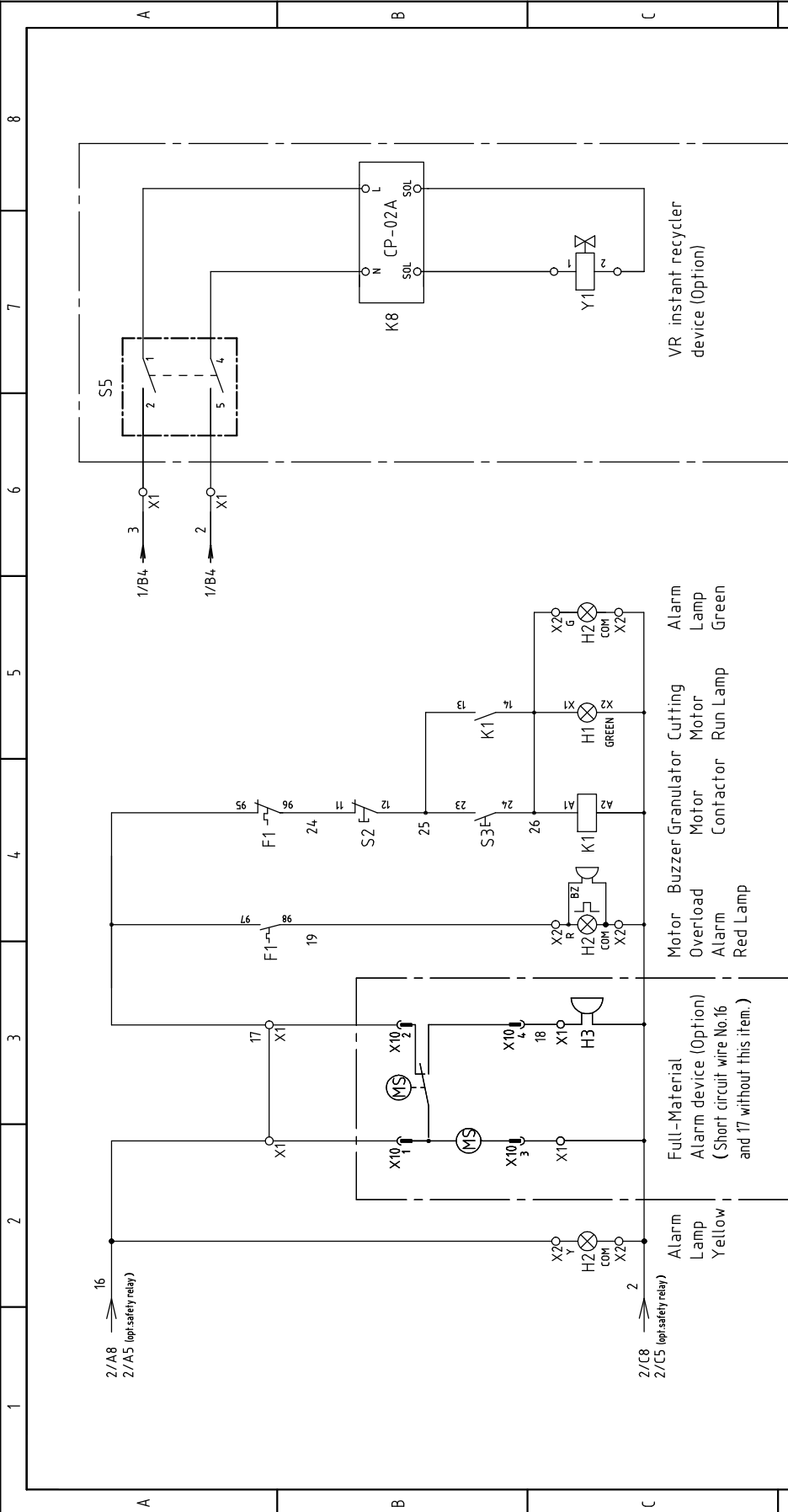
Pic.2
(used without safety relay)

机型版本	Ver.F
Mark	Before modification
Modified by	
Modify date	
Checked by	
Proofread by	
Designer	
Drawer	
Version	0
Approved by	
Date	20200810

Title		SG-2028N(H)	
Control Circuit Diagram 1		SG-2028N(H)-CE-400V-0-2	
Drawing NO.		Scale	Page 2
Standard		CE	Totally 10 Pages
Voltage		3Φ400V	
Frequency		50HZ	



信易电热机械股份有限公司
Shini Plastics Technologies, Inc.

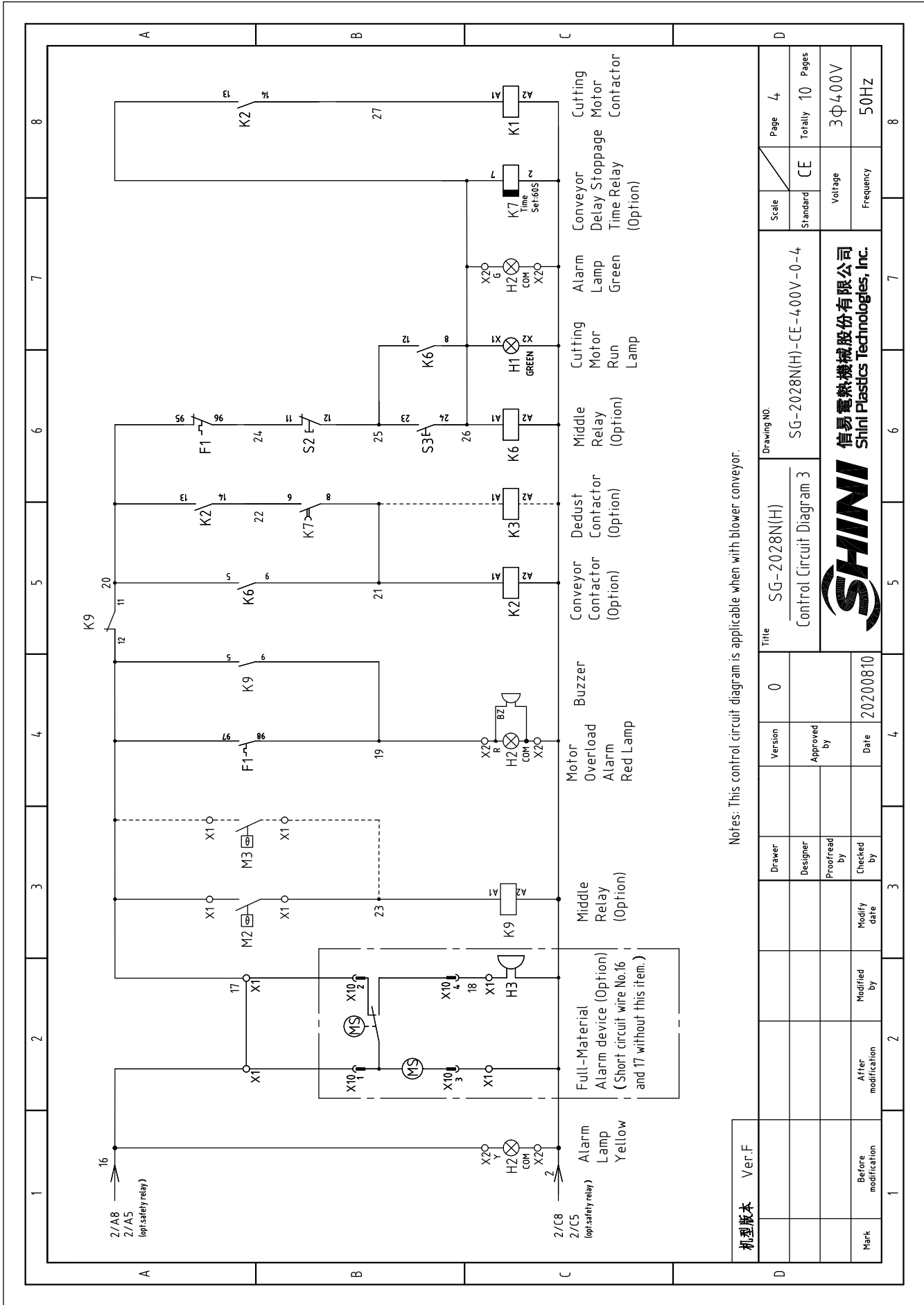


Notes: This control circuit diagram is applicable when without (blower conveyor or spring conveyor) or with (VR instant recycler).

机型版本	Ver.F
Mark	Before modification
	Modified by
	Modify date
	Checked by
	Proofread by
	Designer
	Drawer
	Version
	Approved by
	Date
	20200810

Title		SG-2028N(H)		Drawing NO.		SG-2028N(H)-CE-400V-0-3	
Control Circuit Diagram 2		0		Scale		CE	
Motor Buzzer Granulator Cutting Alarm		K1		Standard		Voltage	
Motor Overload Alarm Red Lamp		K2		Frequency		50HZ	
Motor Run Lamp Green		K3		Page		3	
Alarm Lamp Green		K4		Totally		10	
Alarm Lamp Yellow		K5		Pages		3Φ400V	
Full-Material Alarm device (Option) (Short circuit wire No.16 and 17 without this item.)		K6		Voltage		50HZ	
Alarm Lamp Yellow		K7		Frequency		50HZ	
VR instant recycler device (Option)		K8		Page		3	
Alarm Lamp Green		K9		Totally		10	
Alarm Lamp Green		K10		Pages		3Φ400V	
Alarm Lamp Green		K11		Voltage		50HZ	
Alarm Lamp Green		K12		Frequency		50HZ	
Alarm Lamp Green		K13		Page		3	
Alarm Lamp Green		K14		Totally		10	
Alarm Lamp Green		K15		Pages		3Φ400V	
Alarm Lamp Green		K16		Voltage		50HZ	
Alarm Lamp Green		K17		Frequency		50HZ	
Alarm Lamp Green		K18		Page		3	
Alarm Lamp Green		K19		Totally		10	
Alarm Lamp Green		K20		Pages		3Φ400V	
Alarm Lamp Green		K21		Voltage		50HZ	
Alarm Lamp Green		K22		Frequency		50HZ	
Alarm Lamp Green		K23		Page		3	
Alarm Lamp Green		K24		Totally		10	
Alarm Lamp Green		K25		Pages		3Φ400V	
Alarm Lamp Green		K26		Voltage		50HZ	
Alarm Lamp Green		K27		Frequency		50HZ	
Alarm Lamp Green		K28		Page		3	
Alarm Lamp Green		K29		Totally		10	
Alarm Lamp Green		K30		Pages		3Φ400V	
Alarm Lamp Green		K31		Voltage		50HZ	
Alarm Lamp Green		K32		Frequency		50HZ	
Alarm Lamp Green		K33		Page		3	
Alarm Lamp Green		K34		Totally		10	
Alarm Lamp Green		K35		Pages		3Φ400V	
Alarm Lamp Green		K36		Voltage		50HZ	
Alarm Lamp Green		K37		Frequency		50HZ	
Alarm Lamp Green		K38		Page		3	
Alarm Lamp Green		K39		Totally		10	
Alarm Lamp Green		K40		Pages		3Φ400V	
Alarm Lamp Green		K41		Voltage		50HZ	
Alarm Lamp Green		K42		Frequency		50HZ	
Alarm Lamp Green		K43		Page		3	
Alarm Lamp Green		K44		Totally		10	
Alarm Lamp Green		K45		Pages		3Φ400V	
Alarm Lamp Green		K46		Voltage		50HZ	
Alarm Lamp Green		K47		Frequency		50HZ	
Alarm Lamp Green		K48		Page		3	
Alarm Lamp Green		K49		Totally		10	
Alarm Lamp Green		K50		Pages		3Φ400V	
Alarm Lamp Green		K51		Voltage		50HZ	
Alarm Lamp Green		K52		Frequency		50HZ	
Alarm Lamp Green		K53		Page		3	
Alarm Lamp Green		K54		Totally		10	
Alarm Lamp Green		K55		Pages		3Φ400V	
Alarm Lamp Green		K56		Voltage		50HZ	
Alarm Lamp Green		K57		Frequency		50HZ	
Alarm Lamp Green		K58		Page		3	
Alarm Lamp Green		K59		Totally		10	
Alarm Lamp Green		K60		Pages		3Φ400V	
Alarm Lamp Green		K61		Voltage		50HZ	
Alarm Lamp Green		K62		Frequency		50HZ	
Alarm Lamp Green		K63		Page		3	
Alarm Lamp Green		K64		Totally		10	
Alarm Lamp Green		K65		Pages		3Φ400V	
Alarm Lamp Green		K66		Voltage		50HZ	
Alarm Lamp Green		K67		Frequency		50HZ	
Alarm Lamp Green		K68		Page		3	
Alarm Lamp Green		K69		Totally		10	
Alarm Lamp Green		K70		Pages		3Φ400V	
Alarm Lamp Green		K71		Voltage		50HZ	
Alarm Lamp Green		K72		Frequency		50HZ	
Alarm Lamp Green		K73		Page		3	
Alarm Lamp Green		K74		Totally		10	
Alarm Lamp Green		K75		Pages		3Φ400V	
Alarm Lamp Green		K76		Voltage		50HZ	
Alarm Lamp Green		K77		Frequency		50HZ	
Alarm Lamp Green		K78		Page		3	
Alarm Lamp Green		K79		Totally		10	
Alarm Lamp Green		K80		Pages		3Φ400V	
Alarm Lamp Green		K81		Voltage		50HZ	
Alarm Lamp Green		K82		Frequency		50HZ	
Alarm Lamp Green		K83		Page		3	
Alarm Lamp Green		K84		Totally		10	
Alarm Lamp Green		K85		Pages		3Φ400V	
Alarm Lamp Green		K86		Voltage		50HZ	
Alarm Lamp Green		K87		Frequency		50HZ	
Alarm Lamp Green		K88		Page		3	
Alarm Lamp Green		K89		Totally		10	
Alarm Lamp Green		K90		Pages		3Φ400V	
Alarm Lamp Green		K91		Voltage		50HZ	
Alarm Lamp Green		K92		Frequency		50HZ	
Alarm Lamp Green		K93		Page		3	
Alarm Lamp Green		K94		Totally		10	
Alarm Lamp Green		K95		Pages		3Φ400V	
Alarm Lamp Green		K96		Voltage		50HZ	
Alarm Lamp Green		K97		Frequency		50HZ	
Alarm Lamp Green		K98		Page		3	
Alarm Lamp Green		K99		Totally		10	
Alarm Lamp Green		K100		Pages		3Φ400V	





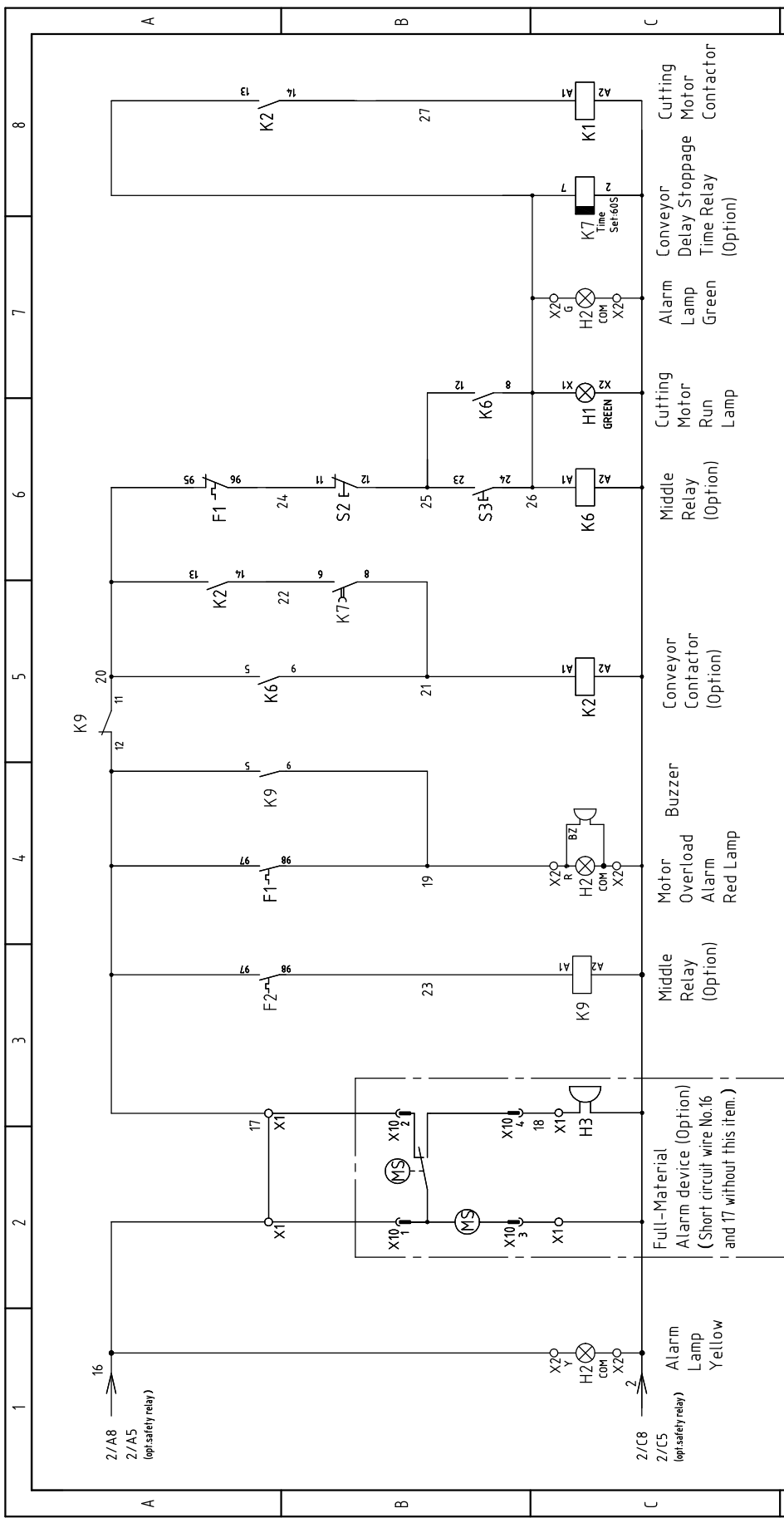
Notes: This control circuit diagram is applicable when with blower conveyor.

机型版本 Ver.F

Mark	Before modification	After modification	Modified by	Modify date	Checked by	Approved by	Version	0	Title	SG-2028N(H) Control Circuit Diagram 3	Drawing NO.	SG-2028N(H)-CE-4.00V-0-4	Scale	Standard	CE	Page	4
				20200810												Totally	10
																Voltage	3φ4.00V
																Frequency	50HZ




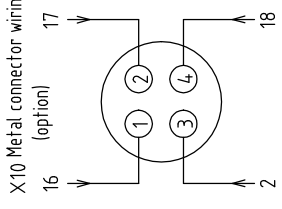
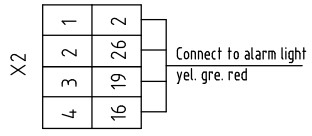
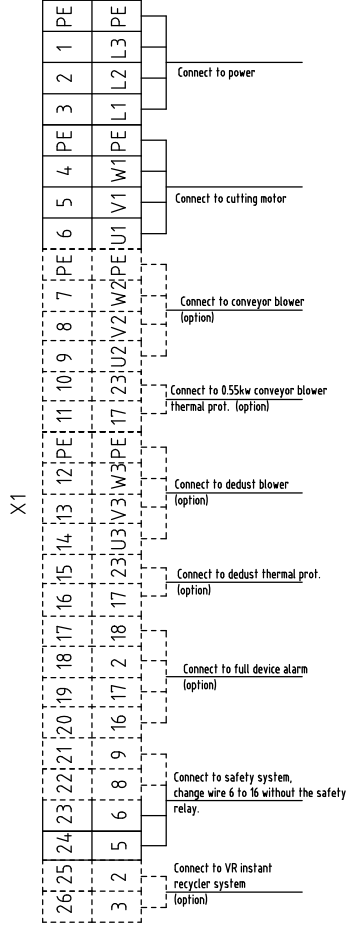
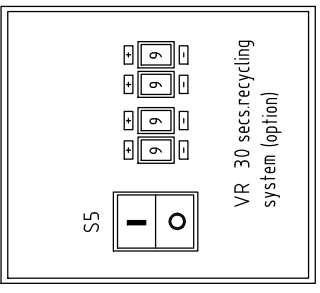
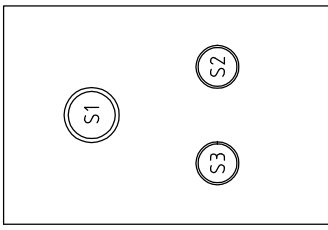
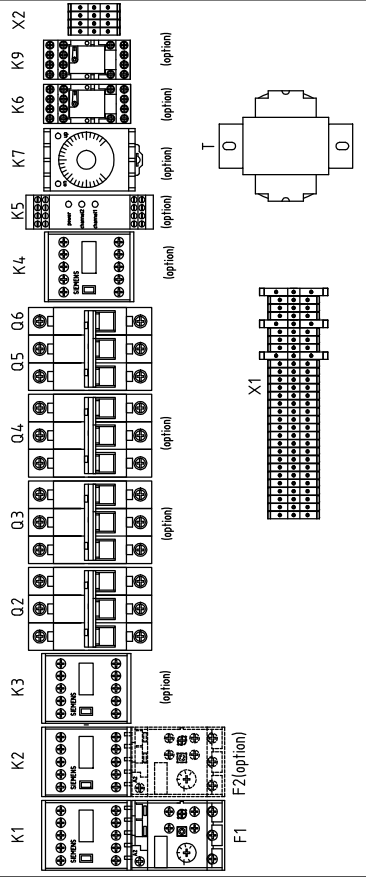
信易電熱機械股份有限公司
Shini Plastics Technologies, Inc.



Notes: This control circuit diagram is applicable when with spring conveyor.

机型版本 Ver.F


Title		SG-2028N(H)		Drawing No.		SG-2028N(H)-CE-400V-0-5	
Version		0		Scale		Standard	
Approved by				Standard		CE	
Date		20200810		Page		5	
Checked by				Totally		10	
Modified by				Voltage		3Φ400V	
Modify date				Frequency		50HZ	
Before modification				 信易電熱機械股份有限公司 Shini Plastics Technologies, Inc.			
After modification							



Notes: Use F2 thermal overload relay to protect M2 motor with optional spring conveyor.

机型版本	Ver.F
Mark	Before modification
Modified by	After modification
Modify date	20200810
Checked by	
Proofread by	
Designer	
Drawer	
Version	0
Approved by	
Title	SG-2028N(H)
Elect. Layout & Terminal Wiring Diagram	
Scale	Standard
Standard	CE
Page	6
Totally	10
Pages	3Φ400V
Voltage	50Hz
Frequency	



1	2	3	4	5	6	7	8	
NO.	Symbol	Name	Manufacturer	Type	Specification	Number	Material number	Remark
1	Q1	Main switch	EATON	T0-2-1/EA/SVB/20A	20A	1	YE10021160000	(1)
2	Q2	Circuit breaker	TECO	BM-63C/3016S	16A	1	YE40301603000	
3	Q3	Circuit breaker	TECO	BM-63C/3006S	6A	1	YE40300603000	(2)(3)
4	Q4	Circuit breaker	TECO	BM-63C/3006S	6A	1	YE40300603000	(6)
5	Q5	Circuit breaker	TECO	BM-63C/2003S 2P	3A	1	YE40200203000	
6	Q6	Circuit breaker	TECO	BM-63C/1003S 1P	3A	1	YE40100203000	
7	K1	Contact	SIEMENS	3RT6015-1AB01	24VAC 50/60Hz	1	YE00601502500	
8	K2	Auxiliary contact terminal	SIEMENS	3RH6911-1HA11	1NC+1NO	1	YE00691100100	(5)
9	K2	Contact	SIEMENS	3RT6015-1AB01	24VAC 50/60Hz	1	YE00601502500	(2)(3)
10	K3	Auxiliary contact terminal	SIEMENS	3RH6911-1HA11	1NC+1NO	1	YE00691100100	(2)(3)
11	K3	Contact	SIEMENS	3RT6015-1AB01	24VAC 50/60Hz	1	YE00601502500	(6)
12	K4	Contact	SIEMENS	3RT6016-1AB02	24VAC 50/60Hz	1	YE00601602600	(5)
13	K5	Safety relay	PILZ	PN0Z X2.8P	24VAC/DC	1	YE04023000000	(5)
14	K6	Middle relay	Honeywell	GR-2C-AC24V	24VAC	1	YE03022400300	(2)(3)
15	K7	Time relay	YUYUN	TRF-N/3M	24VAC	1	YE86032400000	(2)(3)
16	K8	VR Time Dialer	YUYUN	CP-02A	24VAC	1	YE80999900600	(7)
17	K9	Middle relay	Honeywell	GR-2C-AC24V	24VAC	1	YE03022400300	(2)(3)(6)
18	F1	Thermal overload relay	SIEMENS	3RU6116-1GB0	4.5-6.3A	1	YE01160450000	
19	F2	Thermal overload relay	SIEMENS	3RU6116-0JB0	0.7-1A	1	YE01160700000	(3)
20	T	Mutual transformer	BAIYUN	IN=400V/4.15V OUT=24V	120VA	1	YE700400006600	
21	X1	Terminal board	HONEYWELL	SK2.5	2.5mm ²	8	YE60002503200	
22			HONEYWELL	GK2.5PE	2.5mm ² PE	2	YE60002503400	
23			HONEYWELL	SK2.5	2.5mm ²	5	YE60002503200	(2)
24			HONEYWELL	GK2.5PE	2.5mm ² PE	1	YE60002503400	(2)(3)
25			HONEYWELL	SK2.5	2.5mm ²	4	YE60002503200	(4)
机型版本 Ver.F Notes:(1)Materials not in the control box;(2)Conveying blower assembly;(3)Screw spring conveyor;(4)Full mat. alarm assembly;(5)Safety relay option;(6)Deduct blower assembly;(7)VR air recycler assembly.								
			Drawer	Version	Title		Drawing No.	
			Designer	0	SG-2028N		SG-2028N(HI)-CE-4.00V-0-7	
			Proofread by	Approved by	Elec. Parts List 1		Standard	
			Checked by	Date			CE	
			Modified by	20200810			Voltage	
			Modify date				Frequency	
					 信易电热机械股份有限公司 Shini Plastics Technologies, Inc.		3Φ4.00V 50Hz	
Mark	Before modification	After modification						
1	2	3	4	5	6	7	8	
			Scale	Page		Totaly		Pages
				7		10		

1	2	3	4	5	6	7	8	
NO.	Symbol	Name	Manufacturer	Type	Specification	Number	Material number	Remark
A	26		HONEYWELL	SK2.5	2.5mm ²	2	YE60002503200	(5)
	27		HONEYWELL	SK2.5	2.5mm ²	5	YE60002503200	(6)
	28		HONEYWELL	GK2.5PE	2.5mm ² PE	1	YE60002503400	(6)
	29		HONEYWELL	SK2.5	2.5mm ²	2	YE60002503200	(7)
	30	Terminal board	HONEYWELL	SK2.5	2.5mm ²	4	YE60002503200	
	31	Metal connector	SHINI	254-P/R male	4P	1	YE68025400000	(1)(4)
	32		SHINI	254-P/R female	4P	1	YE68025400100	(1)(4)
	33	Emergency stop button	SCHNEIDER	XB2BS54ZC	400VAC	1	YE11254200000	(1)
	34	Contact block	SCHNEIDER	ZB2BE102C	1NC	1	YE00210203100	(1)(5)
	35	Stop button	SCHNEIDER	XB2BA22C	400VAC	1	YE11222000000	(1)
B	36	Start button (with light)	SCHNEIDER	XB2BW33B1C	24VAC/DC	1	YE11233100000	(1)
	37	Contact block	SCHNEIDER	ZB2BE101C	1NO	1	YE00210103100	(1)(5)
	38	Safety switch	SCHMERSRC	AZ-17-11ZK	AC-17	1	YE16171100000	(1)
	39	Safety switch	SCHMERSAL	AZ16-02ZVRK-M16-1476-1	250V 3A	1	YE16147600000	(1)(5)
	40	Operating moving parts	SCHMERSRC	AZ17-B6	AC-17	1	YE16176000000	(1)
	41	Alternative switch	----	R11-8/14P	24VAC/DC	1	YE10118400000	(7)
	42	Three-way alarm lamp	SHINI	Red. gre. yel.+buzzer	24VAC	1	BL90002401520	(1)
	43	Buzzer	TEND	EA-2	24VAC	1	YE84240200000	(1)(4)
C	44	Level switch	SIPAI	ST-80	24VAC	1	YE15802400100	(1)(4)
	45	Granulating Motor	WEG	2.2kW	400V 50/60Hz	1	----	(1)
	46	Conveying blower	SHINI	0.55kW	400V 50/60Hz	1	----	(1)(2)
	47	Spring conveyer	SHINI	0.18kW	400V 50/60Hz	1	----	(1)(3)
	48	Dust Blower	SHINI	0.12kW	400V 50/60Hz	1	----	(1)(6)
	49	Terminal fittings E/GK series	HONEYWELL	----	----	4	YE60000003900	
机 型 版 本	Ver. F	Notes:(1)Materials not in the control box;(2)Conveying blower assembly;(3)Screw spring conveyor;(4)Full mat. alarm assembly;(5)Safety relay option;(6)Dedust blower assembly;(7)VR air recycler assembly.						
D			Drawer	Version	Title	Scale	Page	8
			Designer	0	SG-2028N	Standard	CE	10
			Proofread by	Approved by	Elec. Parts List 2	SG-2028N(H)-CE-400V-0-8	Voltage	3Φ400V
			Checked by	Date	SHINI	SHINI	Frequency	50Hz
Mark	Before modification	After modification	Modified by	Modify date	20200810	SHINI	Shini Plastics Technologies, Inc.	8

1	2		3	4	5	6	7	8
NO.	Symbol	Name	Manufacturer	Type	Specification	Number	Material number	Remark
1	Q1	Main switch	EATON	TO-2-1/EA/SVB/20A	20A	1	YE10021160000	(1)
2	Q2	Circuit breaker	TECO	BM-63C/3016S	16A	1	YE40301603000	
3	Q3	Circuit breaker	TECO	BM-63C/3006S	6A	1	YE40300603000	(2)(3)
4	Q4	Circuit breaker	TECO	BM-63C/3006S	6A	1	YE40300603000	(6)
5	Q5	Circuit breaker	TECO	BM-63C/2003S 2P	3A	1	YE40200203000	
6	Q6	Circuit breaker	TECO	BM-63C/1003S 1P	3A	1	YE40100203000	
7	K1	Contact	SIEMENS	3RT6016-1AB01	24VAC 50/60Hz	1	YE00601602500	
8		Auxiliary contact terminal	SIEMENS	3RH6911-1HA11	1NC+1NO	1	YE00691100100	(5)
9	K2	Contact	SIEMENS	3RT6015-1AB01	24VAC 50/60Hz	1	YE00601502500	(2)(3)
10		Auxiliary contact terminal	SIEMENS	3RH6911-1HA11	1NC+1NO	1	YE00691100100	(2)(3)
11	K3	Contact	SIEMENS	3RT6015-1AB01	24VAC 50/60Hz	1	YE00601502500	(6)
12	K4	Contact	SIEMENS	3RT6017-1AB02	24VAC 50/60Hz	1	YE00601702600	(5)
13	K5	Safety relay	PILZ	PN0Z X2.8P	24VAC/DC	1	YE04023000000	(5)
14	K6	Middle relay	Honeywell	GR-2C-AC24V	24VAC	1	YE03022400300	(2)(3)
15	K7	Time relay	YUYUN	TRF-N/3M	24VAC	1	YE86032400000	(2)(3)
16	K8	VR time diater	YUYUN	CP-02A	24VAC	1	YE80999900600	(7)
17	K9	Middle relay	Honeywell	GR-2C-AC24V	24VAC	1	YE03022400300	(2)(3)(6)
18	F1	热过载继电器/Overload relay	SIEMENS	3RU6116-1JB0	7-10A	1	YE01167100000	Cancel
19	F1	Thermal overload relay	SIEMENS	3RU6116-1HB0	5.5-8A	1	YE01160550000	Increase
20	F2	Thermal overload relay	SIEMENS	3RU6116-0JB0	0.7-1A	1	YE01160700000	(3)
21	T	Mutual transformer	BAIYUN	IN=400V/4.15V OUT=24V	120VA	1	YE70040006600	
22	X1	Terminal board	HONEYWELL	SK2.5	2.5mm ²	8	YE60002503200	
23			HONEYWELL	GK2.5PE	2.5mm ² PE	2	YE60002503400	
24			HONEYWELL	SK2.5	2.5mm ²	5	YE60002503200	(2)
25			HONEYWELL	GK2.5PE	2.5mm ² PE	1	YE60002503400	(2)(3)
机型版本		Ver.F	Notes:(1)Materials not in the control box;(2)Conveying blower assembly;(3)Screw spring conveyor;(4)Full mat. alarm assembly;(5)Safety relay option;(6)Dedust blower assembly;(7)VR air recycler assembly.					
		Drawer	Version	Title		Drawing No.		Page
		Designer	0	SG-2028NH		SG-2028N(H)-CE-4,00V-0-9		9
		Proofread by	Approved by	Elec. Parts List 4		Standard		Totally
		Checked by	Date			CE		10
		Modified by	20200810			Voltage		Pages
		Modify date				Frequency		3Φ4,00V
		Before modification						50Hz
		After modification						8



1		2		3		4		5		6		7		8	
NO.	Symbol	Name	Manufacturer	Type	Specification	Number	Material number	Remark							
26			HONEYWELL	SK2.5	2.5mm ²	4	YE60002503200	(4)							
27			HONEYWELL	SK2.5	2.5mm ²	2	YE60002503200	(5)							
28			HONEYWELL	SK2.5	2.5mm ²	5	YE60002503200	(6)							
29			HONEYWELL	GK2.5PE	2.5mm ² PE	1	YE60002503400	(6)							
30			HONEYWELL	SK2.5	2.5mm ²	2	YE60002503200	(7)							
31	X2	Terminal board	HONEYWELL	SK2.5	2.5mm ²	4	YE60002503200	(1)(4)							
32	X10	Metal connector	SHINI	254-P/R male	4P	1	YE68025400000	(1)(4)							
33			SHINI	254-P/R female	4P	1	YE68025400100	(1)(4)							
34	S1	Emergency stop button	SCHNEIDER	XB2BS542C	400VAC	1	YE11254200000	(1)							
35		Contact block	SCHNEIDER	ZB2BE102C	1NC	1	YE00210203100	(1)(5)							
36	S2	Stop button	SCHNEIDER	XB2BA22C	400VAC	1	YE11222000000	(1)							
37	S3,H1	Start button (with light)	SCHNEIDER	XB2BW33B1C	24VAC/DC	1	YE11233100000	(1)							
38		Contact block	SCHNEIDER	ZB2BE101C	1NO	1	YE00210103100	(1)(5)							
39	S4	Safety switch	SCHMERSRC	AZ-17-11ZK	AC-17	1	YE16171100000	(1)							
40		Operating moving parts	SCHMERSRC	AZ17-B6	AC-17	1	YE16176000000	(1)							
41	S4	Safety switch	SCHMERSAL	AZ16-02ZVRK-M16-14,76-1	250V 3A	1	YE16147600000	(1)(5)							
42	S5	Alternative switch	----	R210-C5LBW4P	----	1	YE10210400000	(7)							
43	H2	Three-color alarm lamp	SHINI	Red, gre, yel.+buzzer	24VAC	1	BL90002401520	(1)							
44	H3	Buzzer	TEND	EA-2	24VAC	1	YE84240200000	(1)(4)							
45	MS	Level sensor	SIPAI	ST-80	24VAC	1	YE15802400100	(1)(4)							
46	M1	Granulating Motor	WEG	3.0kW	400V 50/60Hz	1	----	(1)							
47	M2	Conveying blower	SHINI	0.55kW	400V 50/60Hz	1	----	(1)(2)							
48	M2	Spring conveyor	SHINI	0.18kW	400V 50/60Hz	1	----	(1)(3)							
49	M3	Dedust blower	SHINI	0.12kW	400V 50/60Hz	1	----	(1)(6)							
50		Terminal fittings E/GK series	HONEYWELL	----	----	4	YE60000003900								

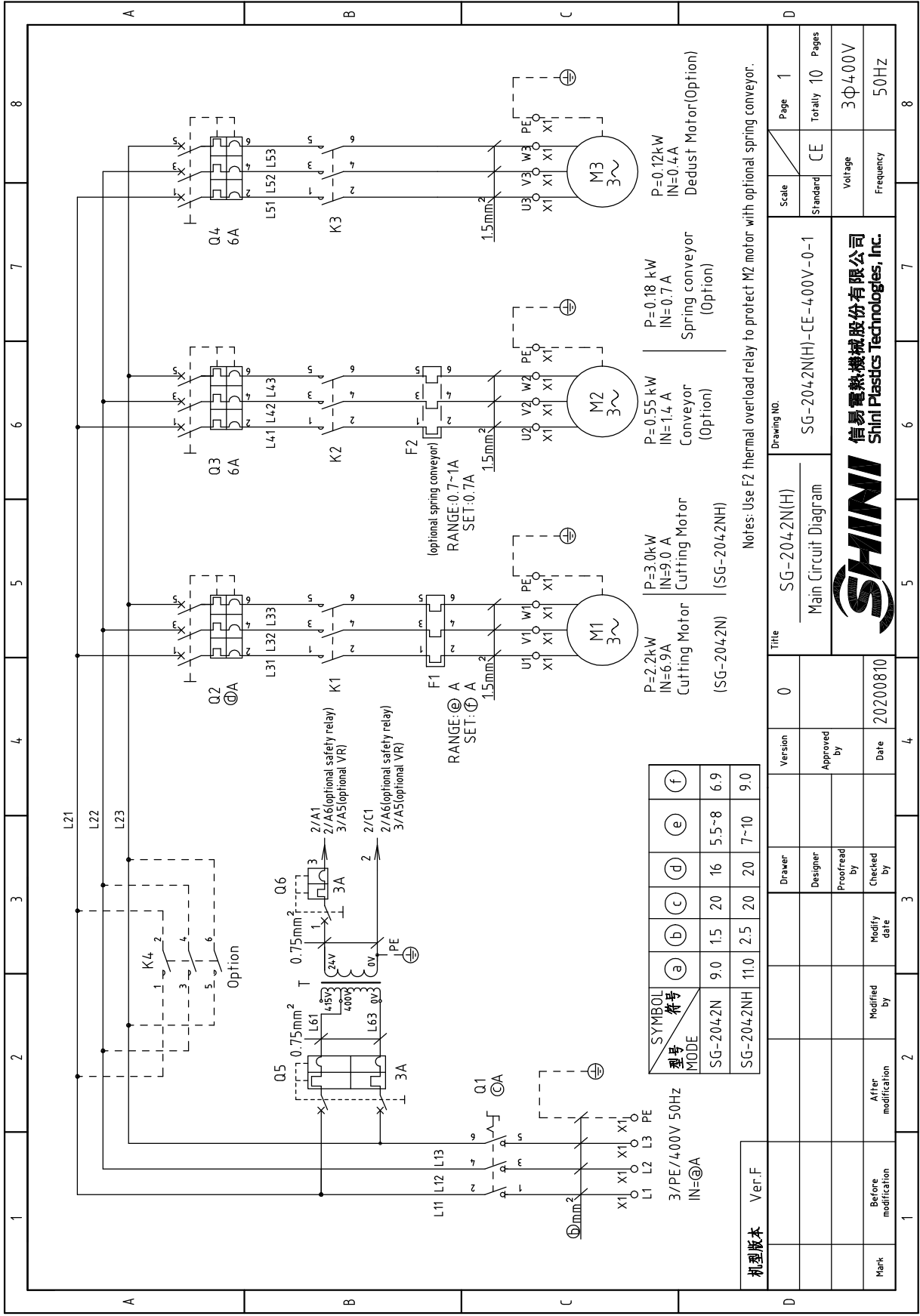
机型版本 Ver.F

Notes:(1)Materials not in the control box;(2)Conveying blower assembly;(3)Screw spring conveyor;(4)Full mat. alarm assembly;(5)Safety relay option;(6)Dedust blower assembly;(7)VR air recycler assembly.

Drawer	Version	Title		Drawing NO.		Scale	Page
Designer	Approved by	SG-2028NH	SG-2028N(H)-CE-4,00V-0-10	Standard	CE	10	10
Proofread by	Date	Elec. Parts List 5				Totally	
Checked by	Modify date	20200810				10	
Modified by	Modify date					Pages	
After modification						Voltage	
Before modification						Frequency	

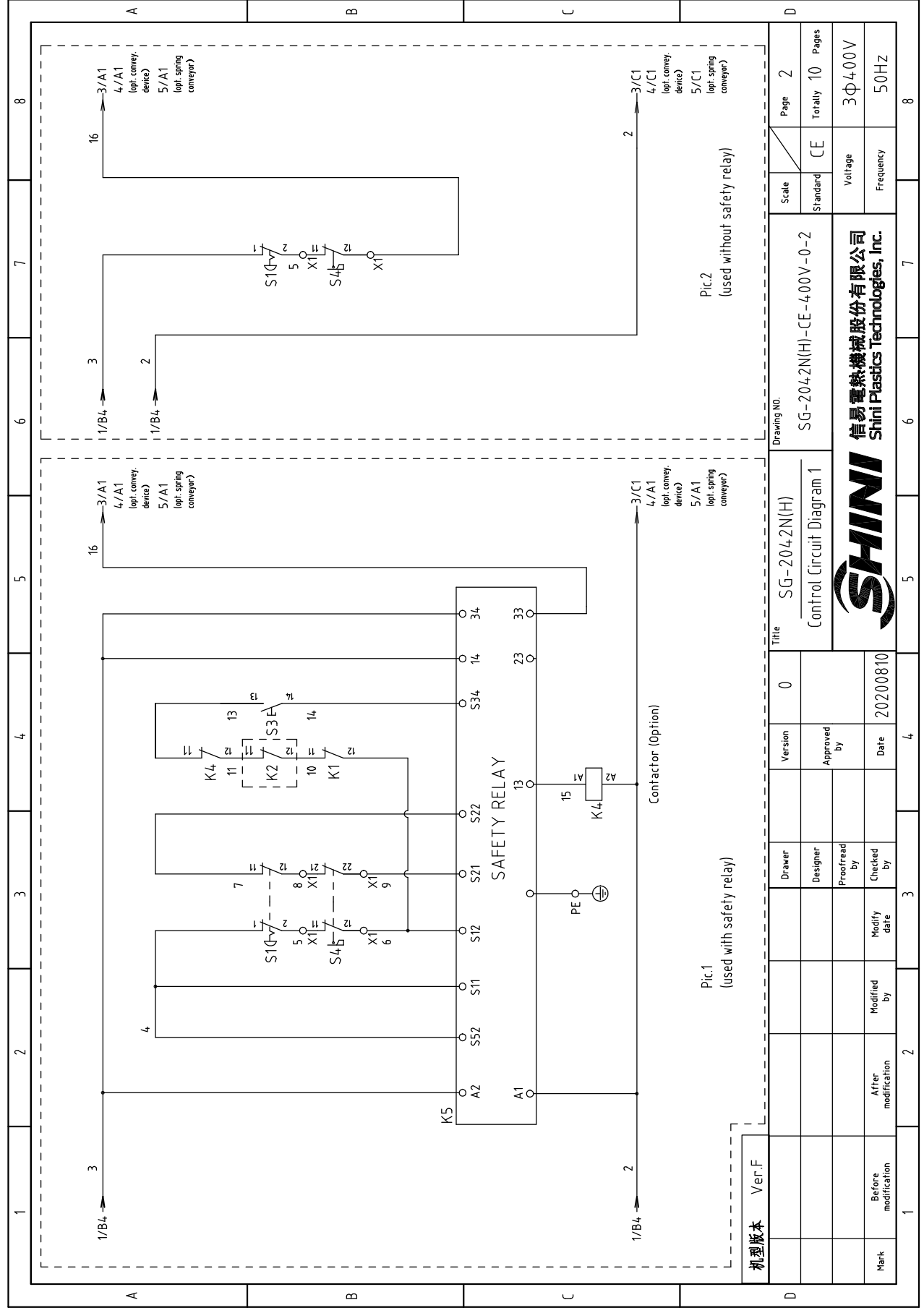
SHINI
信易电热机械股份有限公司
Shini Plastics Technologies, Inc.

3Φ400V
50Hz

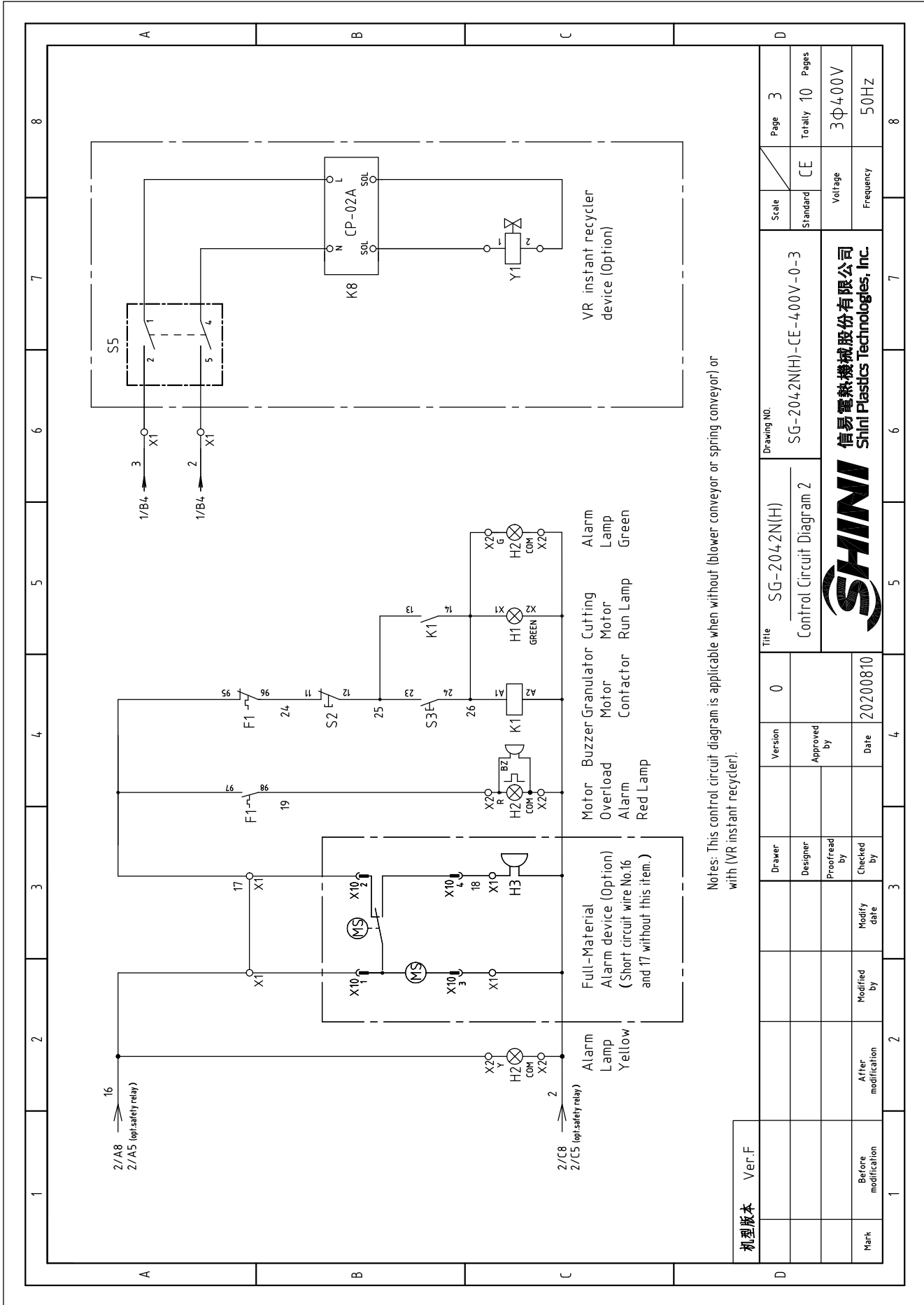


机型版本	Ver.F	Version	0	Title	SG-2042N(H)	Scale	Standard	Page	1
Mark	Before modification	Designer		Approved by	SG-2042N(H)-CE-400V-0-1	Standard	CE	Totally	10
Mark	After modification	Proofread by		Date				Pages	
		Checked by		20200810				Voltage	3φ400V
		Modify date						Frequency	50Hz

SHINI
信易电热机械股份有限公司
Shini Plastics Technologies, Inc.



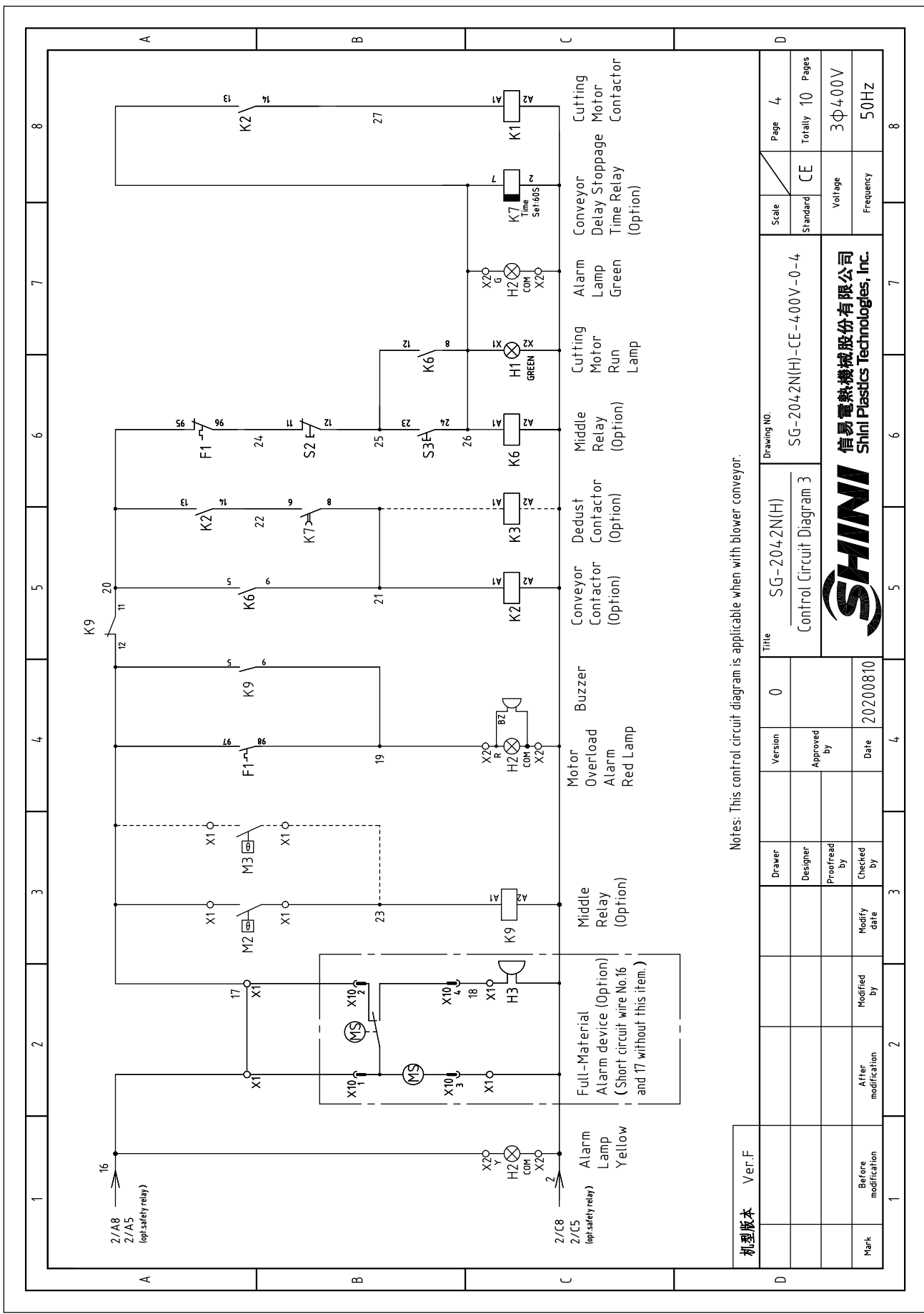
机型版本 Ver.F	Drawer	Version	Title		Drawing NO.		Scale	Page
	Designer	0	SG-2042N(H)	SG-2042N(H)-CE-400V-0-2	Standard	CE	2	
Mark	Proofread by	Approved by	Control Circuit Diagram 1		Totally	10	Pages	
Before modification	Checked by	Date	SHINI		Voltage	3ϕ 400V		
After modification	Modify date	20200810	信易電熱機械股份有限公司 Shini Plastics Technologies, Inc.		Frequency	50HZ		
1	2	3	4	5	6	7	8	



Notes: This control circuit diagram is applicable when without (blower conveyor or spring conveyor) or with (VR instant recycler).

机型版本	Ver.F	Drawer	Designer	Version	0	Title	SG-2042N(H)	Scale	Page	3
	Standard						CE		Totally	10
Mark	Before modification	Modified by		Approved by		Drawing NO.	SG-2042N(H)-CE-400V-0-3	Voltage	3φ400V	
	After modification	Modify date	20200810	Date				Frequency	50Hz	





Notes: This control circuit diagram is applicable when with blower conveyor.

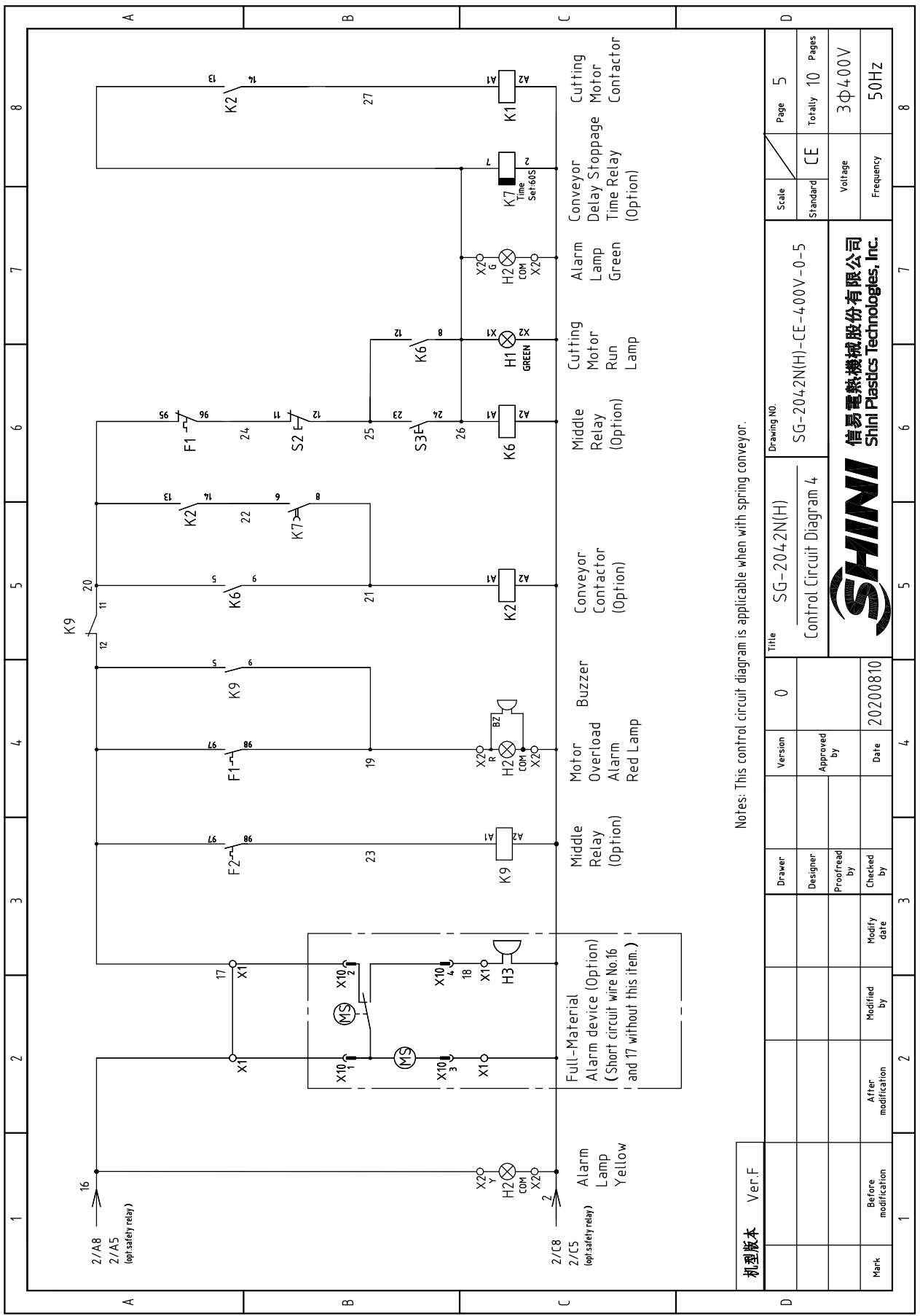
机型版本	Ver.F
Mark	Before modification
	After modification
	Modified by
	Modify date
	Checked by
	Date
	Approved by
	Version
Drawer	0

Scale	Standard	CE	Page	4
			Totally	10
			Voltage	3Φ400V
			Frequency	50HZ

Drawing NO.	SG-2042N(H)-CE-400V-0-4
Title	Control Circuit Diagram 3




信易電熱機械股份有限公司
Shini Plastics Technologies, Inc.

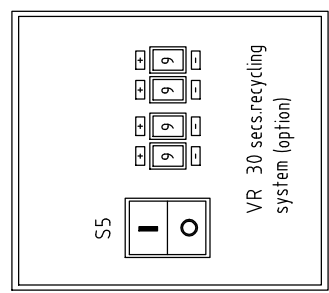
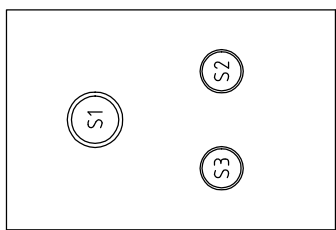
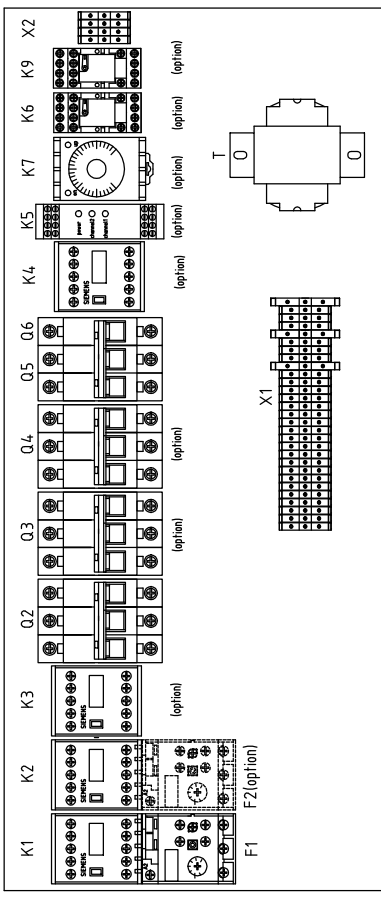


Notes: This control circuit diagram is applicable when with spring conveyor.

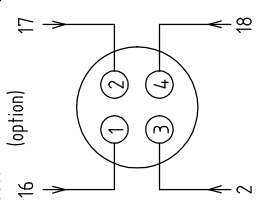
机型版本	Ver.F
Mark	Before modification
	After modification
	Modified by
	Modify date
	Checked by
	Proofread by
	Designer
	Drawer
	Version
	Approved by
	Date
	20200810

Title		SG-204.2N(H)		Version		0	
Drawing NO.		SG-204.2N(H)-CE-4.00V-0-5		Scale		Standard	
Page		5		Standard		CE	
Totally		10		Voltage		3Φ400V	
Pages				Frequency		50HZ	
				信易電熱機械股份有限公司 Shini Plastics Technologies, Inc.			

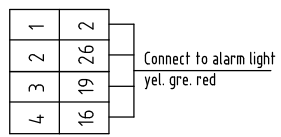
1 2 3 4 5 6 7 8



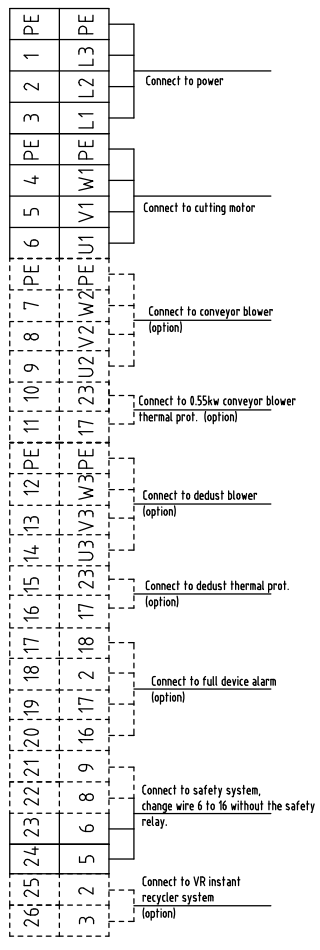
X10 Metal connector wiring diagram



X2




X1



Notes: Use F2 thermal overload relay to protect M2 motor with optional spring conveyor.

机型版本 Ver.F

Rank	Before modification	Modified by	Modify date	Date	20200810	Checked by	Approved by	Version	0	Title	Drawing NO		Page				
	After modification	Modified by	Modify date								SG-2042N(H)	SG-2042N(H)-CE-400V-0-6		6			
Elec. Layout & Terminal Wiring Diagram											Standard	CE	Totally	10	Pages		
Voltage											3Φ400V		Frequency		50Hz		
SHINI 信易电热机械股份有限公司 Shini Plastics Technologies, Inc.											Scale		Page		8		
SG-2042N(H)											Standard		CE		Totally	10	Pages
Ver.F											Scale		Page		8		

1		2		3		4		5		6		7		8	
NO.	Symbol	Name	Manufacturer	Type	Specification	Number	Material number	Remark							
1	Q1	Main switch	EATON	T0-2-1EA/SVB/20A	20A	1	YE10021160000	(1)							
2	Q2	Circuit breaker	TECO	BM-63C/3016S	16A	1	YE40301603000								
3	Q3	Circuit breaker	TECO	BM-63C/3006S	6A	1	YE40300603000	(2)(3)							
4	Q4	Circuit breaker	TECO	BM-63C/3006S	6A	1	YE40300603000	(6)							
5	Q5	Circuit breaker	TECO	BM-63C/2003S 2P	3A	1	YE40200203000								
6	Q6	Circuit breaker	TECO	BM-63C/1003S 1P	3A	1	YE40100203000								
7	K1	Contact	SIEMENS	3RT6016-1AB01	24VAC 50/60Hz	1	YE00601602500								
8		Auxiliary contact terminal	SIEMENS	3RH6911-1HA11	1NC+1NO	1	YE00691100100	(5)							
9	K2	Contact	SIEMENS	3RT6015-1AB01	24VAC 50/60Hz	1	YE00601502500	(2)(3)							
10		Auxiliary contact terminal	SIEMENS	3RH6911-1HA11	1NC+1NO	1	YE00691100100	(2)(3)							
11	K3	Contact	SIEMENS	3RT6015-1AB01	24VAC 50/60Hz	1	YE00601502500	(6)							
12	K4	Contact	SIEMENS	3RT6017-1AB02	24VAC 50/60Hz	1	YE00601702600	(5)							
13	K5	Safety relay	PILZ	PN0Z X2.8P	24VAC/DC	1	YE04023000000	(5)							
14	K6	Middle relay	Honeywell	GR-2C-AC24V	24VAC	1	YE03022400300	(2)(3)							
15	K7	Time relay	YUYUN	TRF-N/3M	24VAC	1	YE86032400000	(2)(3)							
16	K8	VR Time Dialer	YUYUN	CP-02A	24VAC	1	YE80999900600	(7)							
17	K9	Middle relay	Honeywell	GR-2C-AC24V	24VAC	1	YE03022400300	(2)(3)(6)							
18	F1	热过载继电器/Overload relay	SIEMENS	3RU6446-1JB0	7-10A	1	YE04167400000	Cancel							
19	F1	Thermal overload relay	SIEMENS	3RU6116-1HB0	5.5-8A	1	YE01160550000	Increase							
20	F2	Thermal overload relay	SIEMENS	3RU6116-0JB0	0.7-1A	1	YE01160700000	(3)							
21	T	Mutual transformer	BAIYUN	IN=400V/415V OUT=24V	120VA	1	YE70040006600								
22	X1	Terminal board	HONEYWELL	SK2.5	2.5mm ²	8	YE60002503200								
23			HONEYWELL	GK2.5PE	2.5mm ² PE	2	YE60002503400								
24			HONEYWELL	SK2.5	2.5mm ²	5	YE60002503200	(2)							
25			HONEYWELL	GK2.5PE	2.5mm ² PE	1	YE60002503400	(2)(3)							
机壳版本		Ver.F		Notes:(1)Materials not in the control box;(2)Conveying blower assembly;(3)Screw spring conveyor;(4)Full mat. alarm assembly;(5)Safety relay option;(6)Deduct blower assembly;(7)VR air recycler assembly.		Drawing NO.		Scale		Page		7		8	
				Title		SG-2042N		Standard		CE		Voltage		Totally 10 Pages	
				Version		0		Elec. Parts List 1		SG-2042N(HI)-CE-4.00V-0-7		Frequency		3Φ400V	
				Designer		Approved by		 SHINI 信易电热机械股份有限公司 Shini Plastics Technologies, Inc.		Voltage		3Φ400V			
				Proofread by		Date				Frequency		50Hz			
Mark	Before modification	After modification	Modify date	Checked by	20200810										
1	2	3	4	5	6	7	8								

1	2	3	4	5	6	7	8	
NO.	Symbol	Name	Manufacturer	Type	Specification	Number	Material number	Remark
26			HONEYWELL	SK2.5	2.5mm ²	4	YE60002503200	(4)
27			HONEYWELL	SK2.5	2.5mm ²	2	YE60002503200	(5)
28			HONEYWELL	SK2.5	2.5mm ²	5	YE60002503200	(6)
29			HONEYWELL	GK2.5PE	2.5mm ² PE	1	YE60002503400	(6)
30			HONEYWELL	SK2.5	2.5mm ²	2	YE60002503200	(7)
31	X2	Terminal board	HONEYWELL	SK2.5	2.5mm ²	4	YE60002503200	
32	X10	Metal connector	SHINI	254-P/R male	4P	1	YE68025400000	(1)(4)
33			SHINI	254-P/R female	4P	1	YE68025400100	(1)(4)
34	S1	Emergency stop button	SCHNEIDER	XB2BS542C	400VAC	1	YE11254200000	(1)
35		Contact block	SCHNEIDER	ZB2BE102C	1NC	1	YE00210203100	(1)(5)
36	S2	Stop button	SCHNEIDER	XB2BA22C	400VAC	1	YE11222000000	(1)
37	S3,H1	Start button (with light)	SCHNEIDER	XB2BW33B1C	24VAC/DC	1	YE11233100000	(1)
38		Contact block	SCHNEIDER	ZB2BE101C	1NO	1	YE00210103100	(1)(5)
39	S4	Safety switch	SCHMERSRC	AZ-17-11ZK	AC-17	1	YE16171100000	(1)
40		Operating moving parts	SCHMERSRC	AZ17-B6	AC-17	1	YE16176000000	(1)
41	S4	Safety switch	SCHMERSAL	AZ16-02ZVRK-M16-1476-1	250V 3A	1	YE16147600000	(1)(5)
42	S5	Alternative switch	----	R210-C5LBW4P	----	1	YE10210400000	(7)
43	H2	Three-way alarm lamp	SHINI	Red. gre. yel.+buzzer	24VAC	1	BL90002401520	(1)
44	H3	Buzzer	TEND	EA-2	24VAC	1	YE84240200000	(1)(4)
45	MS	Level switch	SIPAI	ST-80	24VAC	1	YE15802400100	(1)(4)
46	M1	Granulating Motor	WEG	3.0kW	400V 50/60Hz	1	----	(1)
47	M2	Conveying blower	SHINI	0.55kW	400V 50/60Hz	1	----	(1)(2)
48	M2	Spring conveyor	SHINI	0.18kW	400V 50/60Hz	1	----	(1)(3)
49	M3	Dust Blower	SHINI	0.12kW	400V 50/60Hz	1	----	(1)(6)
50		Terminal fittings E/GK series	HONEYWELL	----	----	4	YE60000003900	

机型版本 Ver.F

Notes:(1)Materials not in the control box;(2)Conveying blower assembly;(3)Screw spring conveyor;(4)Full mat. alarm assembly;(5)Safety relay option;(6)Deduct blower assembly;(7)VR air recycler assembly

Scale: Standard CE

Page 8

Totally 10 Pages

SG-2042N
Elec. Parts List 2

SG-2042N(HI)-CE-4.00V-0-8

SHINI
信易电热机械股份有限公司
Shini Plastics Technologies, Inc.

3φ4.00V
50Hz

1		2		3		4		5		6		7		8	
NO.	Symbol	Name	Manufacturer	Type	Specification	Number	Material number	Remark							
1	Q1	Main switch	EATON	T0-2-1/EA/SVB/20A	20A	1	YE10021160000	(1)							
2	Q2	Circuit breaker	TECO	BM-63C/3020S	20A	1	YE40302003000								
3	Q3	Circuit breaker	TECO	BM-63C/3006S	6A	1	YE40300603000	(2)(3)							
4	Q4	Circuit breaker	TECO	BM-63C/3006S	6A	1	YE40300603000	(6)							
5	Q5	Circuit breaker	TECO	BM-63C/2003S 2P	3A	1	YE40200203000								
6	Q6	Circuit breaker	TECO	BM-63C/1003S 1P	3A	1	YE40100203000								
7	K1	Contactor	SIEMENS	3RT6017-1AB01	24VAC 50/60Hz	1	YE00601702500								
8		Auxiliary contact terminal	SIEMENS	3RH6911-1HA11	1NC+1NO	1	YE00691100100	(5)							
9	K2	Contactor	SIEMENS	3RT6015-1AB01	24VAC 50/60Hz	1	YE00601502500	(2)(3)							
10		Auxiliary contact terminal	SIEMENS	3RH6911-1HA11	1NC+1NO	1	YE00691100100	(2)(3)							
11	K3	Contactor	SIEMENS	3RT6015-1AB01	24VAC 50/60Hz	1	YE00601502500	(6)							
12	K4	Contactor	SIEMENS	3RT6018-1AB02	24VAC 50/60Hz	1	YE00601802600	(5)							
13	K5	Safety relay	PILZ	PN0Z X2.8P	24VAC/DC	1	YE04023000000	(5)							
14	K6	Middle relay	Honeywell	GR-2C-AC24V	24VAC	1	YE03022400300	(2)(3)							
15	K7	Time relay	YUYUN	TRF-N/3M	24VAC	1	YE86032400000	(2)(3)							
16	K8	/VR time dialer	YUYUN	CP-02A	24VAC	1	YE80999900600	(7)							
17	K9	Middle relay	Honeywell	GR-2C-AC24V	24VAC	1	YE03022400300	(2)(3)(6)							
18	F1	热过载继电器/Overload relay	SIEMENS	3RU6116-1KB0	9-12.5A	1	YE01169125000	Cancel							
19	F1	Thermal overload relay	SIEMENS	3RU6116-1JB0	7-10A	1	YE01167100000	Increase							
20	F2	Thermal overload relay	SIEMENS	3RU6116-0JB0	0.7-1A	1	YE01160700000	(3)							
21	T	Mutual transformer	BAIYUN	IN=400V/415V OUT=24V	120VA	1	YE70040006600								
22	X1	Terminal board	HONEYWELL	SK2.5	2.5mm ²	8	YE60002503200								
23			HONEYWELL	GK2.5PE	2.5mm ² PE	2	YE60002503400								
24			HONEYWELL	SK2.5	2.5mm ²	5	YE60002503200	(2)							
25			HONEYWELL	GK2.5PE	2.5mm ² PE	1	YE60002503400	(2)(3)							
机型版本 Ver.F Notes:(1)Materials not in the control box;(2)Conveying blower assembly;(3)Screw spring conveyor;(4)Full mat. alarm assembly;(5)Safety relay option;(6)Dedust blower assembly;(7)VR air recycler assembly.															
D		Title		Drawing No.		Scale		Page		9		10		Pages	
		SG-2042NH		SG-2042N(H)-CE-400V-0-9		CE		Voltage		3Φ400V		Frequency		50HZ	
Mark		After modification		Modified by		Modify date		Checked by		Date		20200810			
1		2		3		4		5		6		7		8	



1	2	3	4	5	6	7	8		
NO.	Symbol	Name	Manufacturer	Type	Specification	Number	Material number	Remark	
26			HONEYWELL	SK2.5	2.5mm ²	4	YE60002503200	(4)	
27			HONEYWELL	SK2.5	2.5mm ²	2	YE60002503200	(5)	
28			HONEYWELL	SK2.5	2.5mm ²	5	YE60002503200	(6)	
29			HONEYWELL	GK2.5PE	2.5mm ² PE	1	YE60002503400	(6)	
30			HONEYWELL	SK2.5	2.5mm ²	2	YE60002503200	(7)	
31	X2	Terminal board	HONEYWELL	SK2.5	2.5mm ²	4	YE60002503200		
32	X10	Metal connector	SHINI	254-P/R male	4P	1	YE680254.00000	(1)(4)	
33			SHINI	254-P/R female	4P	1	YE680254.00100	(1)(4)	
34	S1	Emergency stop button	SCHNEIDER	XB2BS542C	400VAC	1	YE11254.2000000	(1)	
35		Contact block	SCHNEIDER	ZB2BE102C	1NC	1	YE00210203100	(1)(5)	
36	S2	Stop button	SCHNEIDER	XB2BA22C	400VAC	1	YE11222000000	(1)	
37	S3,H1	Start button (with light)	SCHNEIDER	XB2BW33B1C	24VAC/DC	1	YE11233100000	(1)	
38		Contact block	SCHNEIDER	ZB2BE101C	1NO	1	YE00210103100	(1)(5)	
39	S4	Safety switch	SCHMERSRC	AZ-17-11ZK	AC-17	1	YE16171100000	(1)	
40		Operating moving parts	SCHMERSRC	AZ17-B6	AC-17	1	YE16176000000	(1)	
41	S4	Safety switch	SCHMERSAL	AZ16-02ZVRK-M16-14.76-1	250V 3A	1	YE1614.7600000	(1)(5)	
42	S5	Alternative switch	----	R210-C5LBW4P	----	1	YE102104.00000	(7)	
43	H2	Three-color alarm lamp	SHINI	Red. gre. yel.+buzzer	24VAC	1	BL900024.01520	(1)	
44	H3	Buzzer	TEND	EA-2	24VAC	1	YE84.24.0200000	(1)(4)	
45	MS	Level sensor	SIPAI	ST-80	24VAC	1	YE158024.00100	(1)(4)	
46	M1	Granulating Motor	WEG	3.0kW	400V 50/60Hz	1	----	(1)	
47	M2	Conveying blower	SHINI	0.55kW	400V 50/60Hz	1	----	(1)(2)	
48	M2	Spring conveyor	SHINI	0.18kW	400V 50/60Hz	1	----	(1)(3)	
49	M3	Dedust blower	SHINI	0.12kW	400V 50/60Hz	1	----	(1)(6)	
50		Terminal fittings E/GK series	HONEYWELL	----	----	4	YE60000003900		
机型版本		Ver.F	Notes:(1)Materials not in the control box;(2)Conveying blower assembly;(3)Screw spring conveyor;(4)Full mat. alarm assembly;(5)Safety relay option;(6)Dedust blower assembly;(7)VR air recycler assembly.		Drawing NO.		Scale		Page
			0	SG-2042NH	SG-2042NH(H)-CE-4.00V-0-10	Standard		10	
			Approved by	Elec. Parts List 5		CE		Totally 10	
			Proofread by			Voltage		Pages	
			Checked by	20200810			Frequency	3Φ400V	
Mark	Before modification	After modification	Modified by	Modified date			50Hz		
1	2	3	4	5	6	7	8		

