

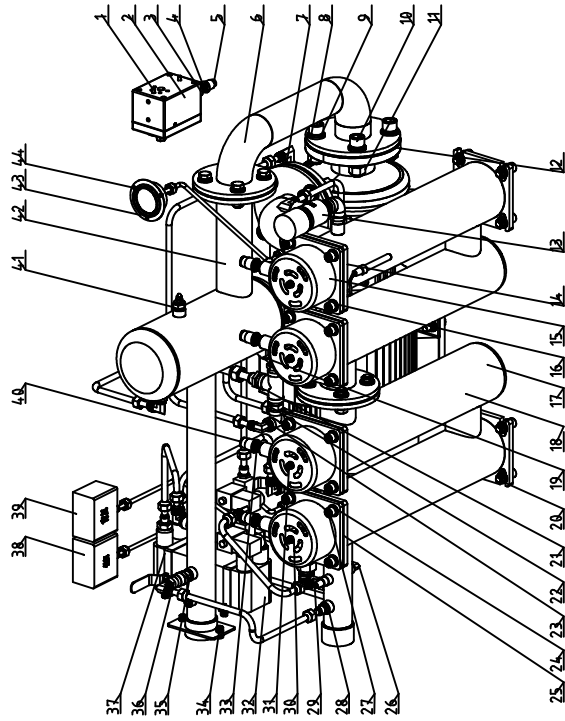
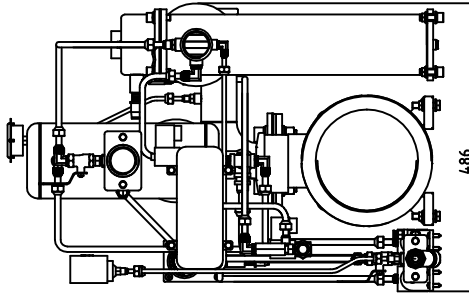
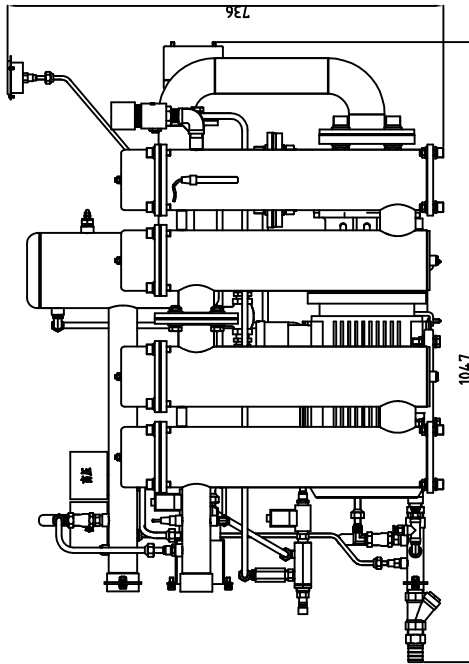
No.	Material number	Name	Num	Remarks
48	YP30425000000	Aluminum plate label	1	Pressure gage
47	STM-4875PWF-A-08	Cover plate	1	Welding parts
46	STM-4875PWF-A-01	Rack	1	Welding parts
45	STM-4875PWF-A-07	Left side plate	1	Welding parts
44	YP30437000000	Aluminum plate label	2024	Shini nameplate
43	YP31115800600	Aluminum plate label	2024	STM maintenance service
42	YW03000300200	3" castor without brake	0235A 2	
41	YW01051000000	Snap bolt	65Mn 6	for STM new style
40	STM-4875PWF-A-02	Control box rear plate	1	Welding parts
39	YW63040600000	Cross recessed pan head screw M4x6	0235A 16	GB/T-823
38	YW66061800000	Large washer A grade	0235A 16	GB/T196.16<8x16x1.5
37	YW60061500100	Hexagon screw M6x16	12.9 16	GB/T15783
36	YW65060000000	Standard spring washer 6	65Mn 16	GB/T93
35	YW03000300000	3" castor without brake	0235A 2	
34	YW62051000100	Cross recessed pan head screw M5x10	0235A 12	JIS11111
33	YW06219100000	Large hinge	2024 2	Shengjin (L219-1
32	YW67040600600	Cross recessed pan head tapping lock screw M4x6	0235A 6	GB6550
31	STM-4875PWF-A-04	Elec. control bottom plate	SECC 1	
30	YW90207000000	Aluminum cooler	6061 4	
29	STM-4875PWF-A-05	Door plank	1	Welding parts
28	YE10636300000	Main power switch	1	P3-63/BA/STB
27	YW20660900100	Aluminum door handle	2024 1	6609(Ya Xuan)
26	YW00040600200	Long door lock key	SUS201 1	CP-406-2R
25	YW00000000100	Long door lock	PVC 1	
24	YW00040600000	Long door lock tender	SUS201 1	MF-406-2R
23	YW63062000000	Cross recessed pan screw M6x20	0235A 4	GB/T-818
22	YE8184300200	Mold Temp. Controller	1	
21	STM-4875PWF-A-03	Control box	1	Welding parts
20	YW6500800100	Standard spring washer 8	65Mn 8	GB/T93
19	YW66082200100	Large washer C grade	0235A 6	GB/T9688.6x24x2
18	YW61082001200	liner hexagon column head screw M8x20	12.9 6	GB/T70.1
17	YW69020500000	Rivet 2x5	2024 31	GB/T 827
16	YW69081500000	Butterfly bolt M8x15	0235A 2	GB/T 3098
15	YW66081600000	Flat washer A grade (8.4x16x1.6)	0235A 2	GB/T197.1
14	YE84003500200	Buzzer PK-3A ZDV	PVC 1	485 comm.connector
13	YP30048500000	Aluminum plate label	2024 1	
12	YE90048501200	Shell RS485	2024 1	Power triangle 3 phase 400V
11	YR40048500000	RS485 comm. interface plate	2024 1	
10	YP31051650000	Aluminum power plate label	PVC 1	
9	YE67002900000	Cable head	SPPC2.0 1	
8	SG-S-01	Wire clamp fixed plate	2024 1	Discharge part
7	YP30429000000	Aluminum plate label	2024 1	Welding parts
6	STM-4875PWF-A-06	Right side plate	2024 1	Water outlet
5	YP30430000000	Aluminum plate label	2024 1	Water inlet
4	YP30431000000	Aluminum plate label	2024 1	Regularly clean the filter
3	YP31091040000	Aluminum plate label	2024 1	Return from mould
2	YP30422000000	Aluminum plate label	2024 1	To mould
1	YP30423000000	Aluminum plate label	2024 1	

Scale	No.	Mat.
Surface req.		
Mat No		

Title	STM-4875PWF
Drawing no.	STM-4875PWF-A-ALL
Shell Sheet Metal	

Ver.	
Dra.	
Desi.	
Check	
App. by	
Date	
Before Mod.	
After Mod.	
Mod. by	
Date	
App.	
Date	

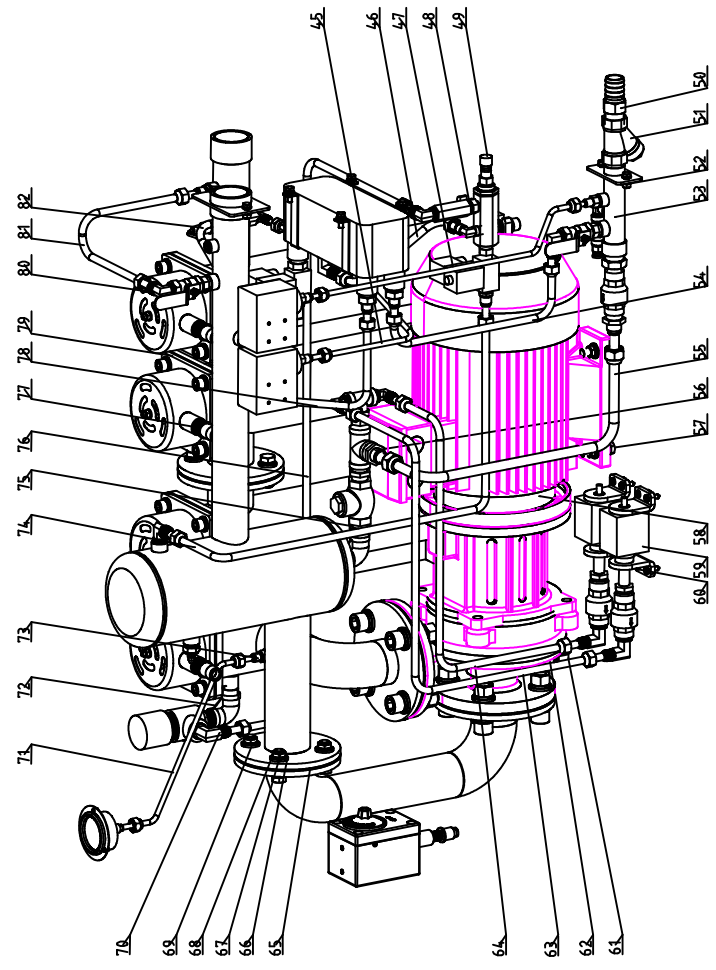
SHINI 德昂電機設備股份有限公司
Shini Electric Technology, Inc.



44	YW63030600000	Cross recessed pan head screw M6x6	Q235A	3	GB/T-4823
43	YW85015000000	Pressure gauge		1	0-1.5MPa range
42	STM-4875PF-WF-B-04	Return water pipe		1	Welding parts
41	YW09003800500	Single water level probe	Q235A	1	1foot wire lead anti-pressure 1.5Mpa
40	YE67015800100	Hose choke plug	PVC	4	W0EAD15.8B
39	YE90002000000	Pressure switch controller HLPS20E	PVC	1	5-20KG auto reply
38	YE90000800000	Low pressure switch controller	PVC	1	0-8KG auto
37	STM-4875PF-WF-B-11	Plate exchange fixed plate	SPCC15	2	
36	YW50382300500	Ball valve 3/8"	SUS304	1	Plate anti-pressure 2.3MP-KITZ
35	S-07	Copper flon	H58	1	3/8"PTX3/8"PT
34	YW60061500100	Hex. bolt M6x16	12.9	8	GB/T5783
33	YE66015800000	Nylon hose	PA66	4	WY-PA6AD15.8B 1.3M
32	STM-4875PF-WF-B-08	Plate exchange parts		1	
31	YW64400600300	Hex. nut M6	Q235A	8	GB/T16170
30	YW66061300000	Flat washer A grade 6	Q235A	16	
29	BE90342500050	Thermocouple	SUS304	1	2.5M
28	S-116	Toniton pipe male thread connector	H62	1	3/8"PTx2/8" H
27	YW61103000100	Inner hex. column head screw M10x30	12.9	24	GB/T710.1
26	YW04010400400	Toniton pipe male thread elbow	H62	1	1/4"Hex/1/4"PT L
25	YZ20121200000	Flexible graphite gasket	ISO-68	4	120x120x2.0
24	YW66102000100	Flat washer A grade 10	Q235A	40	GB/T971.1(1Hex20x2)
23	YW52030800000	3/8" stainless steel 3-way	SUS304	1	
22	S-92	Toniton	H58	1	3/8"PTX1/2"PT
21	YW520410200000	Stainless steel 3-way 1/2	SUS304	1	
20	YW644001000100	Hex. nut M10	Q235A	12	GB/T16170
19	YW59010200300	Rotary return valve R1/2"	Cu	1	KITZ
18	STM-4875PF-WF-B-02	Heating hopper 2		1	Welding parts
17	YW68010200100	1/4" PT plug	H58	3	
16	YW65010000000	Standard spring washer 10	65Mn	36	GB/T93
15	S-190	Pipe heater cover	SPCC10	4	
14	STM-4875PF-WF-B-01	Heating hopper 1		1	Welding parts
13	YW051412000000	Safety valve	SUS304	1	1/2" male thread anti-pressure 1MKG
12	STM-4875PF-WF-B-09	Pump inlet graphite gasket	Graphite	1	
11	YW6440016000000	Hex. nut M16	Q235A	8	
10	YW61165500000	Inner hex. column head screw M16x55	Q235A	8	
9	YW65016200000	Standard spring washer 16	Q235A	16	
8	YW66163000000	Flat washer 16	Q235A	16	
7	STM-4875PF-WF-B-10	Pump outlet graphite gasket	Graphite	1	Welding parts
6	STM-4875PF-WF-B-03	Connecting pipe		1	W0EAD13.0B
5	YE670013400000	Connecting choke plug	PVC	1	W0EAD13.0B
4	YE660013000000	Nylon hose	PA66	1	WY-PA6AD13.0B 1.5M
3	YE671090000000	Quick hose connector	PVC	1	W0G1-P09B
2	BH901150000050	High temp. tester		1	EGO
1	YW620510000100	Cross recessed pan head screw M5x10	Q235A	2	JIS1111

No.	Material number	Name	Mat.	Num.	Remarks
Ver.	Title	Drawing no.		Scale	
App. by	STM-4875PF	STM-4875PF-B-ALL		Num.	
Check	Internal Structure			Mat.	
App.				Surface req.	
Mod. by				Mat. No.	
Date					

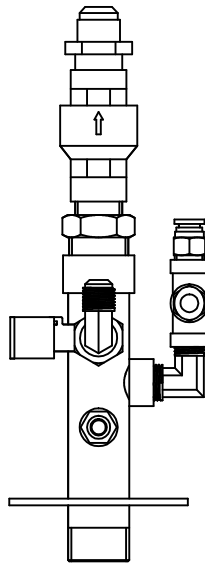
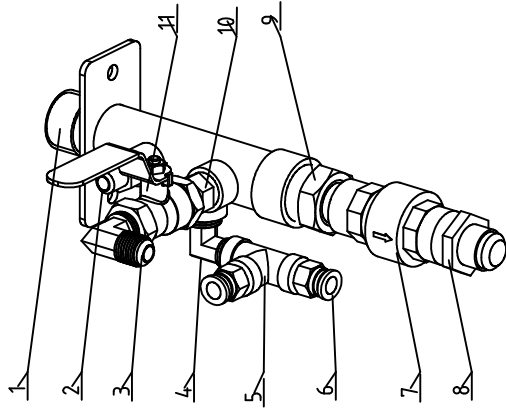
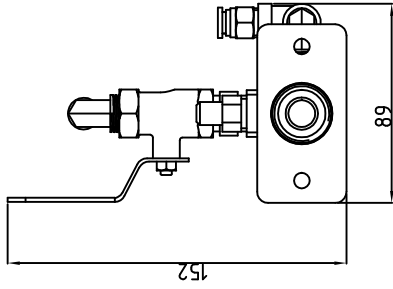
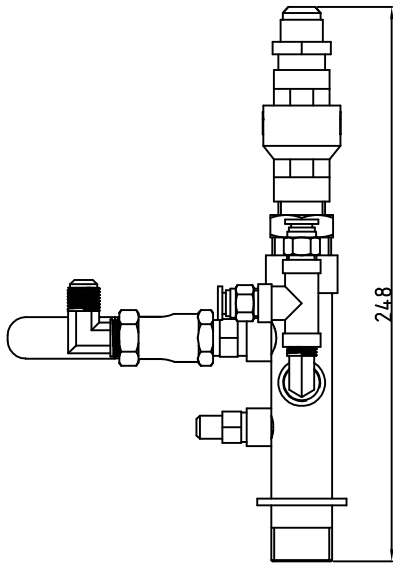




No.	Material number	Name	Mat.	Num.	Remarks
82	STM-4875PW-F-B-23	Plate heat exchange water inlet pipe		1	assembly
81	STM-4875PW-F-B-14	Hot water bypass pipe		1	assembly
80	S-105	Tonifon pipe male thread connector L	H58	5	3/8"Hex3/8"PT assembly
79	STM-1220PW-F-ALL	Pipe heater welding diagram		4	For welding parts
78	STM-4875PW-F-B-24	Plate exchange hot water output pipe		1	assembly
77	YEG7165800000	Quick hose connector	PVC	4	WUGI-H6B/AU5.8 assembly
76	STM-4875PW-F-B-22	Safety valve release pipe		1	assembly
75	S-122	Teflon pipe	H58	2	1/2"PTx1/2"PT assembly
74	STM-4875PW-F-B-15	Exhaust pipe		1	1/4"PTx1/4"PT assembly
73	S-192	Connector for pressure gauge	H62	1	1/2" PT
72	YW53001200100	Stainless steel wire port elbow	SUS304	2	
71	STM-4875PW-F-B-13	Pressure gauge pipe	H58	1	assembly
70	YW04010200200	Fion pipe connector	H58	1	1/2"PTx3/8"HL L type
69	YW65012000000	Standard spring washer 12	65Mn	16	GB/T93
68	YW640123500000	Hex. nut M 12	Q235A	8	GB/T6170
67	YW640123500000	Hex. bolt M12x35	12.9	8	GB/T5783
66	YW661224000000	Flat washer A grade 12	12.9	16	GB/197.1 (3.5x24x2.5)
65	STM-3650WF-ALL-15	Flange washer	ISO-68	2	
64	STM-4875PW-F-B-19	Plunger pump refill. pipe 2		1	assembly
63	STM-4875PW-F-B-18	Plunger pump refill. pipe 1	H58	3	3/8"PTx3/8"HL assembly
62	YW04030800300	Tonifon connector	H58	1	3/8"PT plug
61	S-171	Teflon plug		1	
60	YW674819000000	Hex recessed pan head tapping screw	Q235A	8	GB/T5086.1
59	STM-4875PW-F-B-07	Plunger pump refill. assembly		2	
58	YM205016000000	Pump TOE (P50-160)	Q235A	1	
57	YW601040001000	Ext. hex. bolt M10x40	12.9	4	GB/T5783
56	S-05	Tonifon pipe connector	H58	1	1/2"PTx1/2"PT assembly
55	STM-4875PW-F-B-16	Refill water pipe		1	assembly
54	STM-4875PW-F-B-20	Cooling water inlet pipe		1	assembly
53	STM-4875PW-F-B-05	Inlet water connector assembly		1	assembly
52	YW650600000000	Standard spring washer 6	65Mn	8	GB/T93
51	YW570304000000	Y-type filter valve 3/4"	Cu	1	3/4"PT male thread 19 hole
49	YR300102000000	Copper plug	Rubber	1	1/2"PT assembly
48	STM-4875PW-F-B-06	Discharge water connector assembly		1	assembly
47	STM-4875PW-F-B-12	Low pressure pipe		1	assembly
46	STM-4875PW-F-B-21	Cooling water outlet pipe		1	assembly
45	STM-4875PW-F-B-17	High pressure pipe		1	assembly

Ver.		Title	STM-4875PW-F-B-ALL
Dra.		Internal Structure	
Desi.		Drawing no. STM-4875PW-F-B-ALL	
Check		Scale	
App.		Num.	
by		Mat.	
Date		Surface req.	
Mark	Before Mod	Mat No	
After Mod	Mod. by	Date	

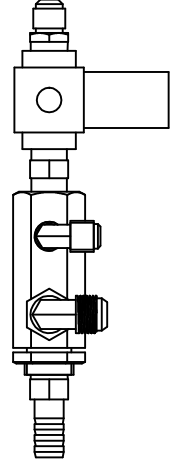
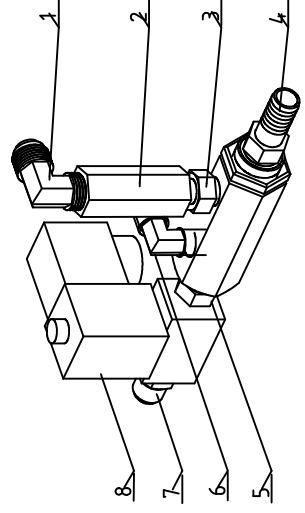
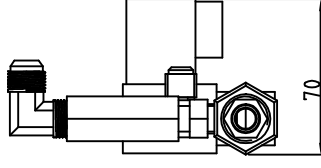
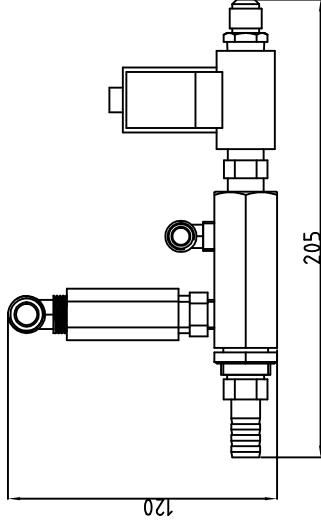




11	YW50030800900	Ball valve	H58	1	3/8" KITZ anti-temp. 180°
10	S-07	Tonflon	H58	1	3/8"PTx3/8"PT
9	S-205	Tonflon	H58	1	1/2"PTx3/4"PT
8	S-05	Tonflon connector	H58	1	1/2"PTx1/2"H
7	YW59001201300	One-way valve 1/2"VITON	Cu	1	RB
6	YW80081400000	Screw direct connector 1/4-n8	SUS304	2	Air TAC
5	YW52010400000	Stainless steel water pipe three-way 1/4"	SUS304	1	1/4"
4	YW04010400200	Transfer elbow	H58	1	1/4"PTx3/8"PT L
3	YW04030800300	Tonflon connector	H58	1	3/8"PTx3/8"HL
2	BH12010400410	Tonflon pipe connector	H58	1	1/4"Hx1/4"PT
1	STM-2440PW-B-03/01	Refill. connector		1	Welding Parts
No.	Material number	Name	Mat.	Num.	Remarks

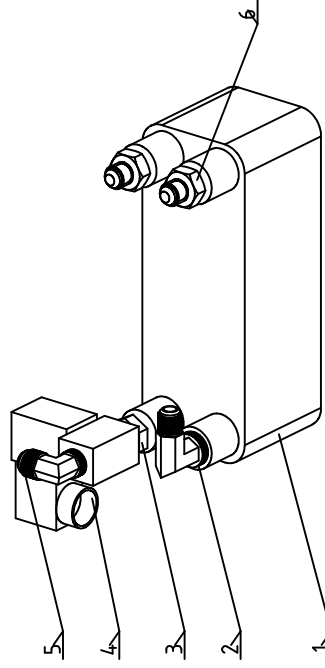
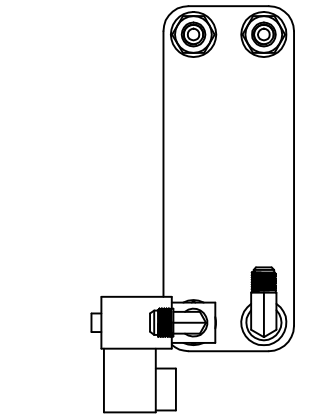
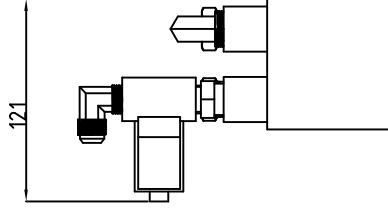
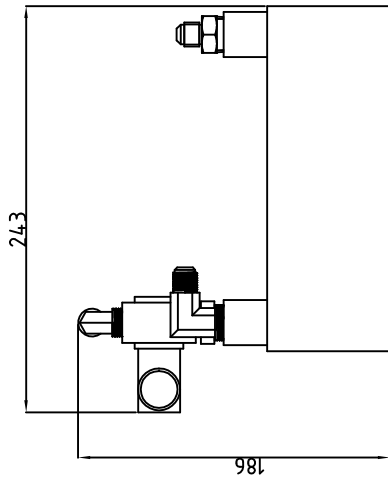
Title		Drawing no.		Scale	Num.
STM-4875PWF		STM-4875PWF-B-05			
Inlet water connector					
Ver.	Dra.	App. by	Check	Surface req.	
App. by	Desi.	Mod. by	Date	Mat.	
Date	App.	Date	App.	Mat. No.	

SHINI 信易熱熱機機股份有限公司
Shini Plastics Technologies, Inc.



8	YE32203000900	Solenoid valve	1	3/8" Air TAC 24VAC
7	S-116	Tonflon pipe ext. connector	H62	3/8" PT x 3/8" H
6	YW04030800200	Tonflon pipe ext. connector	H58	3/8H x 1/4 PTL type
5	S-07	Tonflon	H58	3/8" PT x 3/8" PT
4	S-139	The 2nd set of copper connector		
3	S-50	Tonflon	H58	3/8" PT x 1/4" PT
2	YW59383400000	One-way valve 3/8"	SUS304	3/8" (SUS304)
1	S-105	Copper Teflon pipe ext. connector L	H58	3/8" H x 3/8" PT
No.	Material number	Name	Mat.	Num.
Title		Drawing no.		Scale
STM-4875PWF		STM-4875PWF-B-06		Num.
Water Discharge Connector				Mat.
Ver.				Surface req.
App. by				Mat No.
Check				
App.				
Date				
Mod. by				
Date				
After Mod.				
Before Mod.				
Mark				

SHINI 信易電熱機械股份有限公司
Shini Plastics Technologies, Inc.



6	S-91	Tonfon pipe ext. connector	H62	2	3/8" Hx 1/2" PT
5	S-105	Tonfon pipe ext. connector L	H58	1	3/8" Hx 3/8" PT
4	YE32203000900	Solenoid valve		1	3/8" AirTAC 24VAC
3	S-92	Tonfon	H58	1	3/8" PT X 1/2" PT
2	YW0410200200	Fion pipe connector	H58	1	1/2" PT X 3/8" HL type
1	BL14-28D	Plate Heat Changer	SUS304	1	
No.	Material number	Name	Mat.	Num.	Remarks

Title		Drawing no.	
STM-4875PWF		STM-4875PWF-B-08	
Plate Change Part		Scale	Num.
		Surface req.	Mat.
Mark	Before Mod.	After Mod.	Mod. by
			Date
			Date
			Date
			Date

