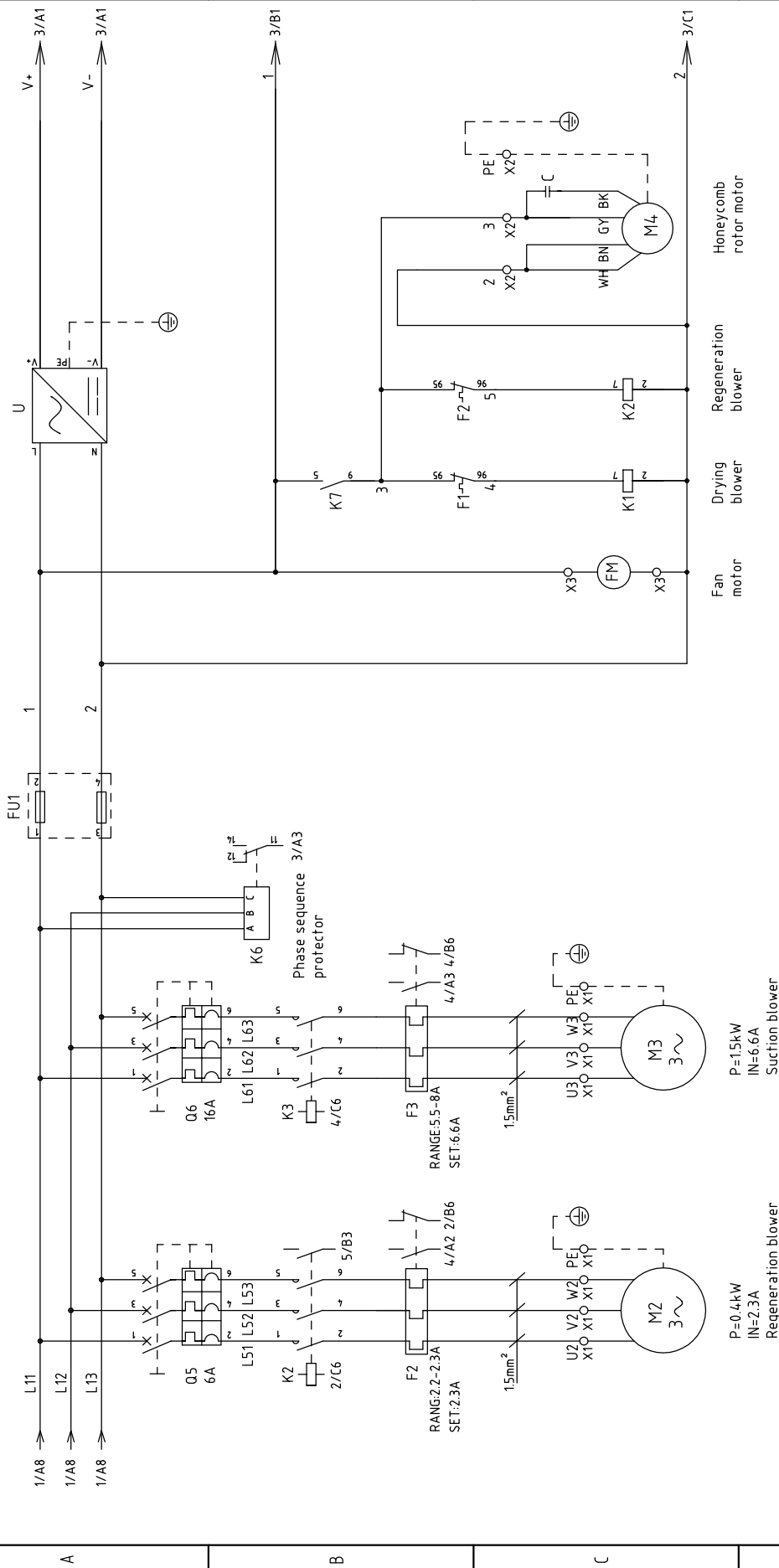


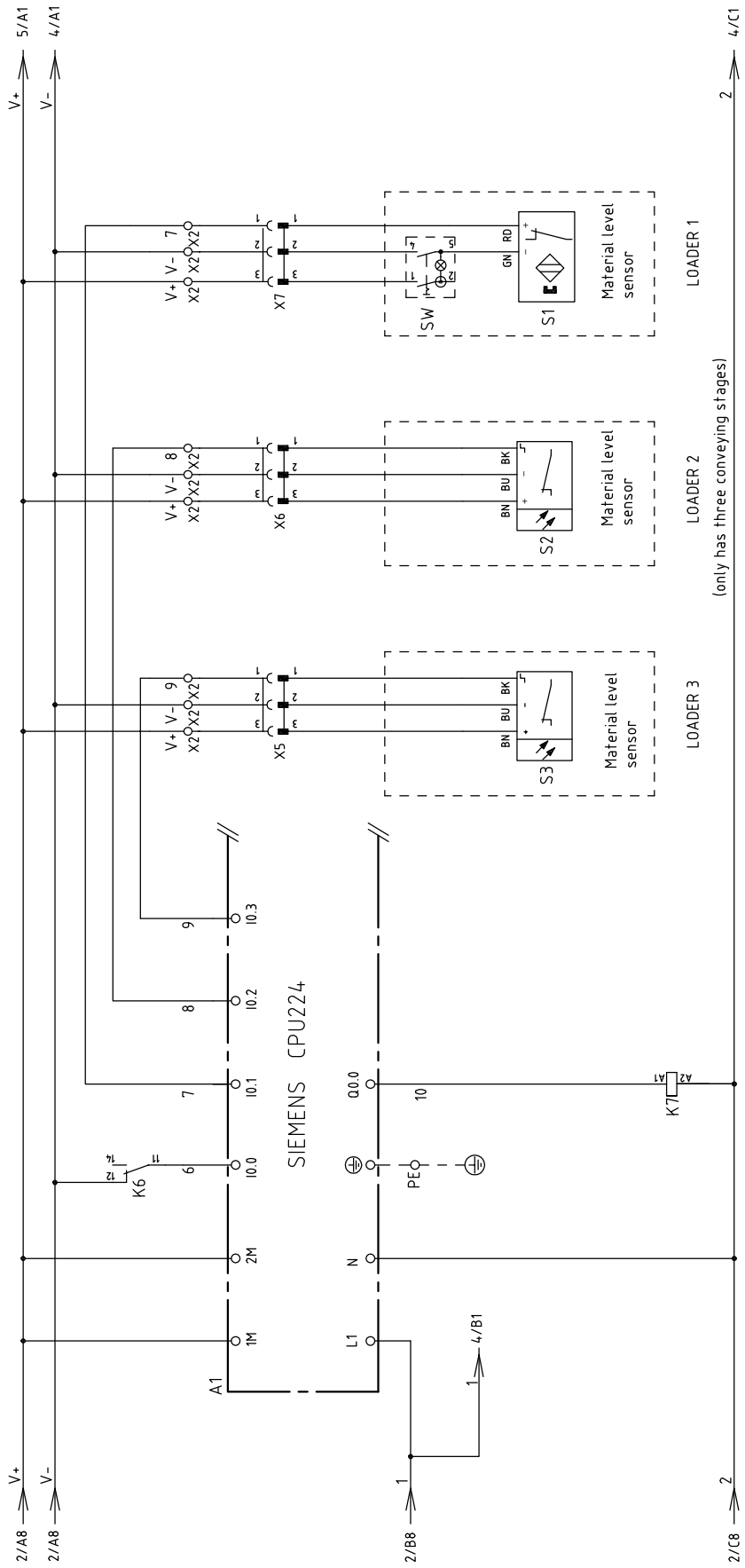
版本 Ver.C

D	Scale	Standard	CE	Page 1	8
		Standard		Totally 9 Pages	
Title		SCD-20U(4.0U/80U)/4.0H-LC Electrical Diagram 1		Drawing NO. SCD-20U(4.0U/80U)/4.0H-LC-CE-230V-F-1	
Version		F	SHINI 信易電熱機械股份有限公司 Shini Plastics Technologies, Inc.		8
Approved by		Date		Voltage 230V	
Drawer		Date		Frequency 50Hz	8
Designer		Date		Mark	
Proofread by		Date		Before modification	
Checked by		Date		After modification	
Modify date		Date		Modify date	



版本 Ver.C

1	2	3	4	5	6	7	8
Title				Drawing NO.			
SCD-20U(40U/80U)/40H-LC				SCD-20U(40U/80U)/40H-LC-CE-230V-F-2			
Electrical Diagram 2				Standard			
SHINI				Voltage			
信易電熱機械股份有限公司				Frequency			
Shini Plastics Technologies, Inc.				230V			
Scale				Page			
CE				2			
Totally				Pages			
9				50Hz			
Mark	Before modification	Modified by	Modify date	Checked by	Date	Approved by	Version
					20160816		F
1	2	3	4	5	6	7	8

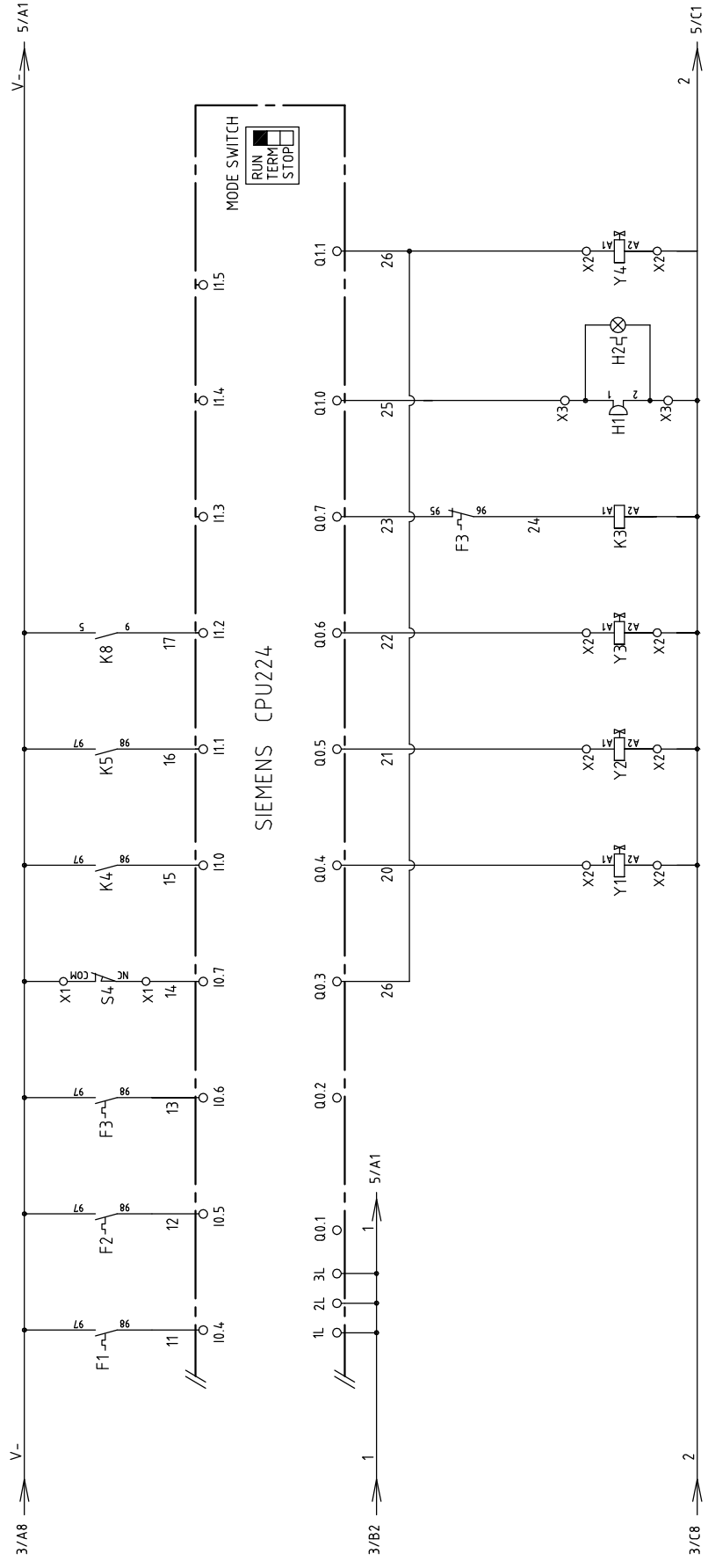


版本 Ver.C

Mark	Before modification	Modified by	Modify date	Date	20160816	Approved by	Version	F	Title	Drawing NO.		Scale	Page
	After modification									Standard	3		
SCD-20U(40U/80U)/40H-LC Electrical Diagram 3										SCD-20U(40U)(80U)/40H-LC-CE-230V-F-3		CE	Totally
										Voltage		230V	9
										Frequency		50HZ	8



信易電熱機械股份有限公司  
Shini Plastics Technologies, Inc.



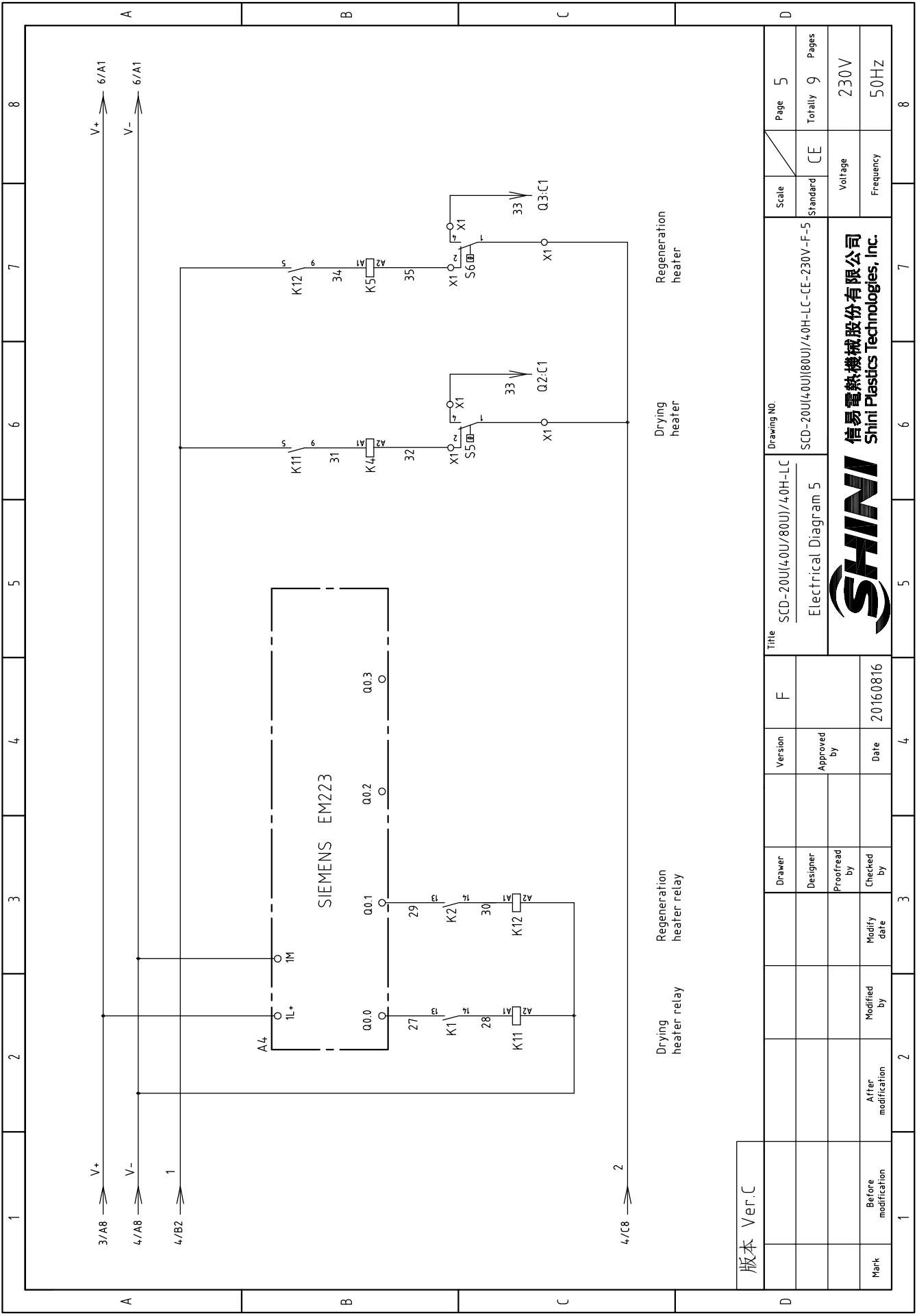
版本 Ver.C

Mark	Before modification	Modified by	Modify date	Approved by	Version	F	Title		Drawing NO.		Scale	Page
	After modification						SCD-20U(40U/80U)/40H-LC Electrical Diagram 4	SCD-20U(40U/80U)/40H-LC CE-F-4	CE	4	Totally	9
											Standard	Pages
											Voltage	230V
											Frequency	50HZ
1	2	3	4	5	6	7	8					



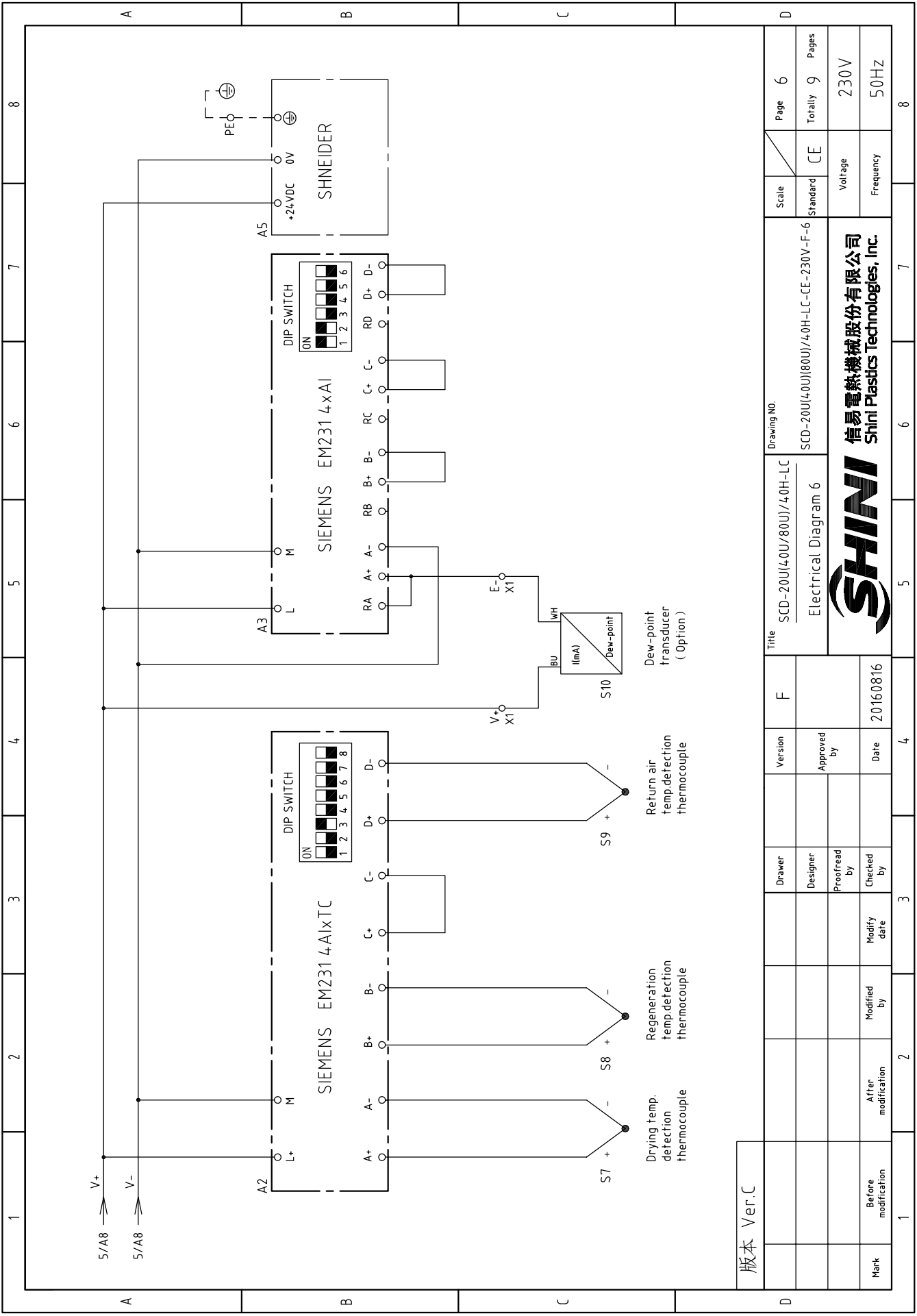
信易電熱機械股份有限公司  
Shini Plastics Technologies, Inc.





版本 Ver.C

Mark	Before modification	Modified by	Modify date	Version	F	Title	Drawing NO.		Scale	Page
	After modification	Modified by	Modify date				Designer	Proofread by	Standard	5
SCD-20U(40U/80U)/40H-LC Electrical Diagram 5							SCD-20U(40U/80U)/40H-LC-CE-230V-F-5		CE	Totally 9
SHINI 信易電熱機械股份有限公司 Shini Plastics Technologies, Inc.							Voltage		230V	
							Frequency		50HZ	
1	2	3	4	5	6	7	8			



版本 Ver.C

Mark	Before modification	After modification	Modified by	Modify date	Checked by	Proofread by	Designer	Drawer	Version	F	Title	SCD-20U(40U/80U)/40H-LC Electrical Diagram 6	Scale	Standard	CE	Page	6	
												SCD-20U(40U/80U)/40H-LC-CE-230V-F-6				Totally	9	
																	Voltage	230V
																	Frequency	50HZ

信易電熱機械股份有限公司  
Shini Plastics Technologies, Inc.

Page	6
Totally	9
Pages	

Scale	Standard
Standard	CE
Voltage	230V
Frequency	50HZ

Drawing NO.	SCD-20U(40U/80U)/40H-LC-CE-230V-F-6
Title	SCD-20U(40U/80U)/40H-LC Electrical Diagram 6

Version	
Approved by	
Date	20160816

Designer	
Proofread by	
Checked by	

Modified by	
Modify date	
After modification	

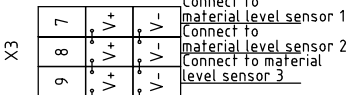
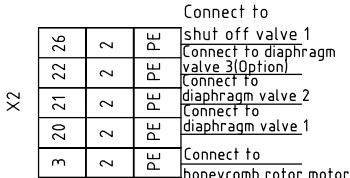
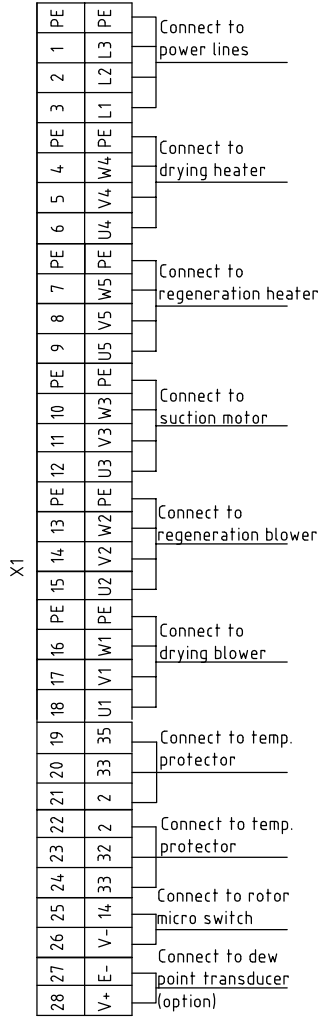
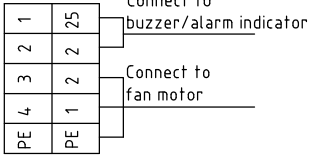
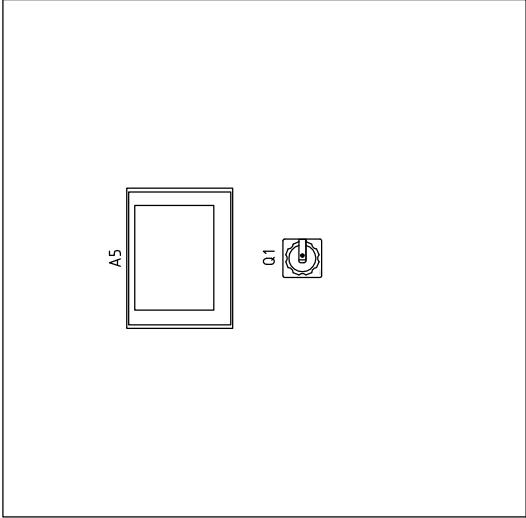
1 2 3 4 5 6 7 8

A

B

C

D



版本 Ver.C

Mark	Before modification	1	2	3	4	5	6	7	8
Modified by									
Modify date									
Checked by									
Proofread by									
Designer									
Drawer									
Version	F								
Approved by									
Date	20160816								
Title		SCD-20U(40U/80U)/4.0H-LC							
Drawing NO.		SCD-20U(40U/80U)/4.0H-LC-CE-Z30V-F-7							
Electrical Components Layout									
Scale	Standard	CE							
Page	7								
Totally	9								
Pages	50HZ								
Voltage	230V								
Frequency	50HZ								



1	2		3	4	5	6	7	8
NO.	Symbol	Name	Manufacturer	Type	Specification	Number	Material number	Remark
1	Q1	Main switch	MOELLER	P2-32-EA/SVB	32A	1	YE10132320000	
2	Q2 Q3 Q6	Circuit-breaker	TECO	BM-63C 3P	16A	3	YE40301603000	
3		Excitation release	TECO	MX	220V 50/60Hz	2	YE40023560000	
4	Q4 Q5	Circuit-breaker	TECO	BM-63C 3P	6A	2	YE40300603000	
5	K1	Contactor	SIEMENS	3RT6016-1AN21	220V 50/60Hz	1	YE00601621000	
6	K2	Contactor	SIEMENS	3RT6016-1AN21	220V 50/60Hz	1	YE00601621000	
7	K3	Contactor	SIEMENS	3RT6016-1AN21	220V 50/60Hz	1	YE00601621000	
8	K4	Contactor	SIEMENS	3RT6018-1AN21	220V 50/60Hz	1	YE00601800000	
9	K5	Contactor	SIEMENS	3RT6018-1AN21	220V 50/60Hz	1	YE00601800000	
10	K6	Phase relay	CHAOSHI	ABJ-10W	230V 50/60Hz	1	YE03102200000	
11	K7 K8	Middle relay	WEIDMULLER	DRM270730LT	220V 50/60Hz	2	YE03270700000	
12	K11 K12	Middle relay	WEIDMULLER	DRM270724LT	24V DC	2	YE03272400000	
13	F1	Thermo overload relay	SIEMENS	3RU6116-0GB0	0.45-0.63A	1	YE01161450000	
14	F2	Thermo overload relay	SIEMENS	3RU6116-1DB0	2.2-3.2A	1	YE01160220000	
15	F3	Thermo overload relay	SIEMENS	3RU6116-1HB0	5.5-8A	1	YE01160550000	
16	A1	PLC	SIEMENS	CPU224 AC/DC/RLY	100-230VAC 50/60Hz	1	YE81022400100	
17	A2	PLC Expansion module	SIEMENS	EM231 4xTC	--	1	YE82023100100	
18	A3	PLC Expansion module	SIEMENS	EM231 4xAI	--	1	YE82023100000	(2)
19	A4	PLC Expansion module	SIEMENS	EM223	4-in 24VDC, 4-out 24VDC, transistor-out	1	YE82022300200	
20	A5	Human-machine interface	SCHNEIDER	GX03512	24VDC	1	YE80351200200	
21	FU1	Fuse base	CHINT	RT18-32	2P	1	YE41032200000	
22		Fuse	CHINT	10x38 500V	2A	2	YE46002000100	
23	U	DC power	MEAN WELL	NES-35-24	OUT=DC24V 1.5A	1	YE71352400100	(1)
24	S1	Reed switch	FOTEK	FC-12V	24VDC	1	YE15001200000	(1)
25	S2 S3	Photoelectric switch	FOTEK	T18-3MNB-PE	24VDC	2	YE15143900000	(1)
版本 Ver.C								
Notes: (1)Means it's not the material inside the control box. (2)Stands for optional.								
D			Title		Drawing NO.		Page	
			SCD-20U(40U/80U)/4.0H-LC		SCD-20U(40U/80U)/4.0H-LC-CE-230V-F-8		8	
			Electrical Components list 1		Standard		CE	
			Designer		Voltage		230V	
			Proofread by		Frequency		50HZ	
Mark			Modified by		Date		20160816	
Before modification			Modify date		Date		20160816	
1			2		3		4	
5			6		7		8	

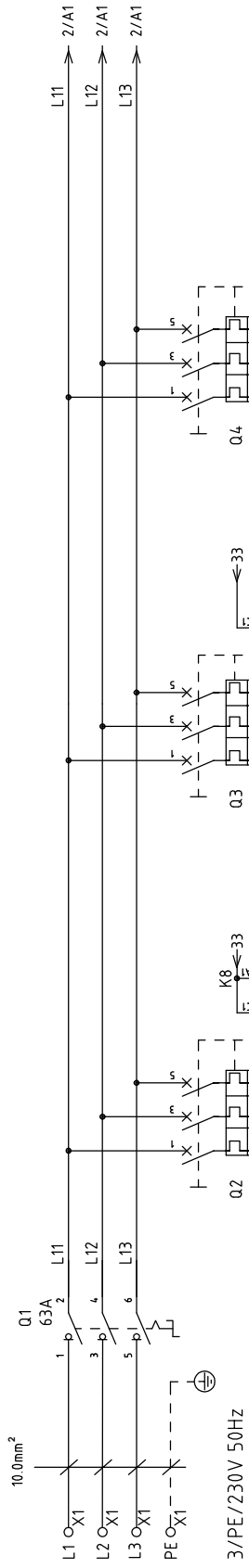


信易電熱機械股份有限公司  
Shini Plastics Technologies, Inc.

1	2		3	4	5	6	7	8
NO.	Symbol	Name	Manufacturer	Type	Specification	Number	Material number	Remark
26	S4	Micro switch	TEND	LXW5-11G1	250V 5(4)A	1	YE14.1524.00000	(1)
27	S5	Temperature protector	----	----	250V 5(4)A	1	----	(1)
28	S6	Temperature protector	----	----	250V 5(4)A	1	----	(1)
29	S7 S8 S9	Thermocouple	SHINI	ST-K	K	3	----	(1)
30	S10	Dew-point transducer	CS	CS 217-OEM	POWER=24VDC OUT=4-20mA	1	YE90021700100	(1) (2)
31	Y1-Y4	Solenoid valve	--	MSFW-230-50/60	220V 50/60Hz	4	----	(1)
32	H1	Buzzer	HITPOINT	PF-35A	60-250V	1	YE84.003500200	(1)
33	H2	Alarm indicator	SHINI	LED-3051	220V 50/60Hz	1	YE83305100200	(1)
34	X1 X3	Terminal board	----	6mm <sup>2</sup>	57A 690V	3	YE60000603200	
35				6mm <sup>2</sup> PE	-	1	YE60000603500	
36	X1 X2 X4	Terminal board	----	4mm <sup>2</sup>	41A 690V	15	YE600004.03200	
37				4mm <sup>2</sup> PE	-	5	YE600004.03500	
38				2.5mm <sup>2</sup>	32A 690V	20	YE60002503200	
39				2.5mm <sup>2</sup> PE	-	5	YE60002503400	
40	X3	Terminal board	----	ZDIK 1.5	10A 250V	3	YE60001003600	
41				FBSTB 10-ZDIK RD	10A 250V	3	YE60001000200	
42				SK2.5-TL	10A 250V	3	YE60002503600	
43	X5 X6 X7	Heavy duty connector	WEIN	HBC-HA-004.1	4P 10A	3	YE6804.1000100	(1)
44	FM	Fan	SUNON	DP-200A	230VAC 40W	1	YM60121200400	(1)
45	M1	Blower	SHINI	----	230V 0.12kW	1	----	(1)
46	M2	Blower	SHINI	----	230V 0.4kW	1	----	(1)
47	M3	Blower	SHINI	----	230V 1.5kW	1	----	(1)
48	M4	Motor	----	----	230V 0.015kW	1	----	(1)
49	EH1	Pipe heater	SHINI	----	230V 4kW	1	----	(1)
50	EH2	Pipe heater	SHINI	----	230V 3kW	1	----	(1)
版本 Ver.C								
Notes: (1)Means it's not the material inside the control box. (2)Stands for optional.								
Title				Drawing NO.		Scale		Page
SCD-20U(40U/80U)/4.0H-LC				SCD-20U(40U/80U)/4.0H-LC-CE-230V-F-7		Standard		Totally 9
Electrical Components List 2						CE		Pages
						Voltage		230V
						Frequency		50HZ
Mark	Before modification	After modification	Modified by	Modify date	Chected by	Proofread by	Designer	Drawer
				20160816				
Version				Approved by		F		4
								3
								2
								1
								8
								7
								6
								5
								4
								3
								2
								1



信易電熱機械股份有限公司  
Shini Plastics Technologies, Inc.



10.0mm<sup>2</sup>  
 3/PE/230V 50Hz

Q1 63A  
 Q2 20A  
 Q3 16A  
 Q4 10A

K8  
 K4  
 K5  
 K1

L21 L22 L23  
 L31 L32 L33  
 L41 L42 L43

U4 V4 W4 PE  
 U5 V5 W5 PE  
 U1 V1 W1 PE

X10 X10 X10 X10  
 X10 X10 X10 X10  
 X10 X10 X10 X10

4.0mm<sup>2</sup>  
 2.5mm<sup>2</sup>  
 1.5mm<sup>2</sup>

5/B6  
 5/B7  
 4/A2 2/B6

F1  
 RANGE:3.5-5A  
 SET:3.8A

Eh1  
 Eh2  
 M1

P=6kW  
 IN=15.5A  
 Drying heater

P=3kW  
 IN=7.8A  
 Regeneration heater

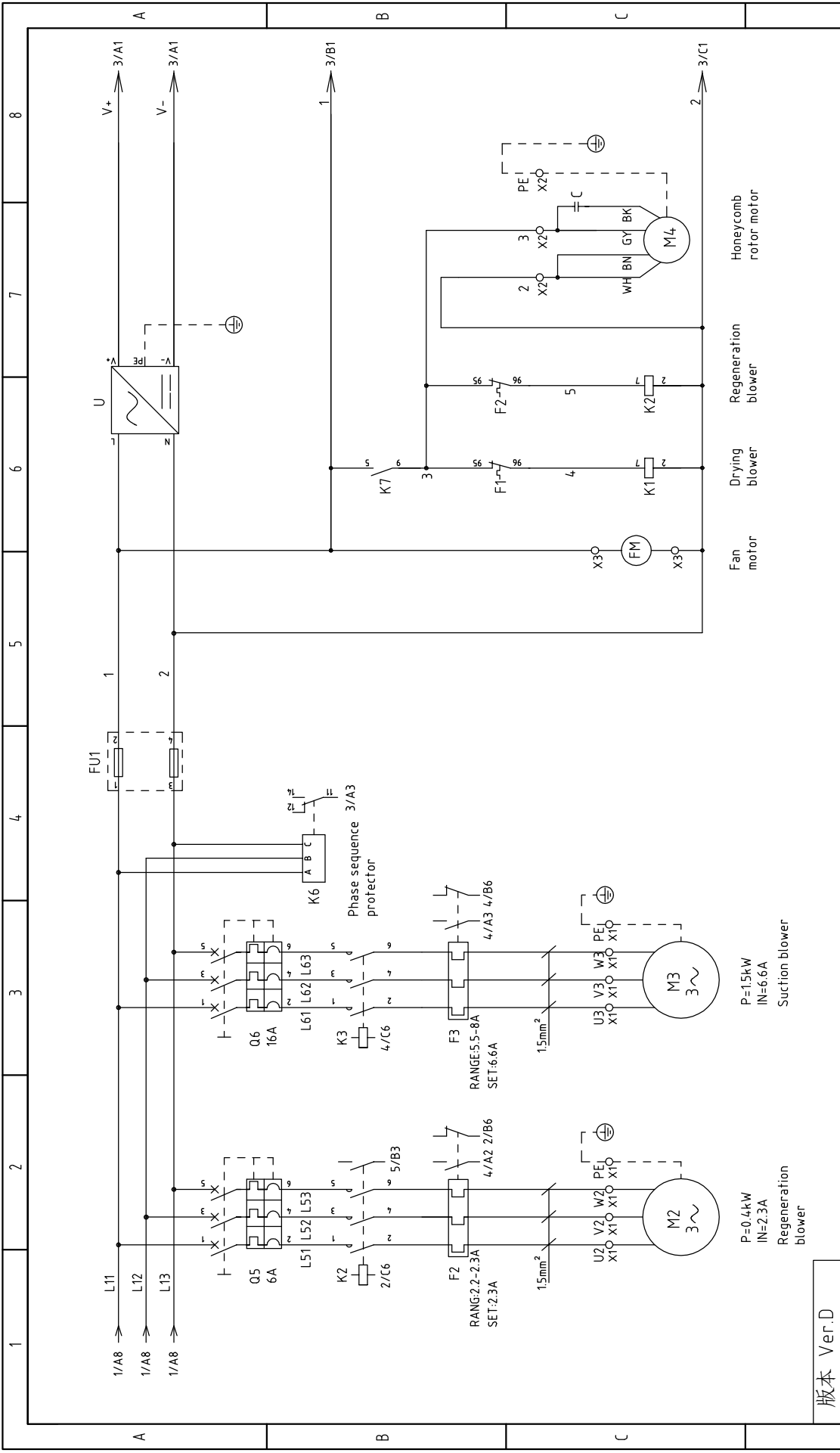
P=0.75kW  
 IN=3.8A  
 Drying blower

版本 Ver.D

Note:For 60Hz,the regenerative heater is 4kW

D	Scale	CE	Page 1
	Standard	Voltage	Totally 9 Pages
Title		SCD-120U(160U)/80H-LC	Pages
Drawing NO.		SCD-120U(160U)/80H-LC-CE-230V-F-1	9
Electrical Diagram 1		Voltage	
F		Frequency	
Version		230V	
Approved by		50HZ	
Date		8	
20160816		7	
3		6	
4		5	
4		4	
3		3	
2		2	
1		1	

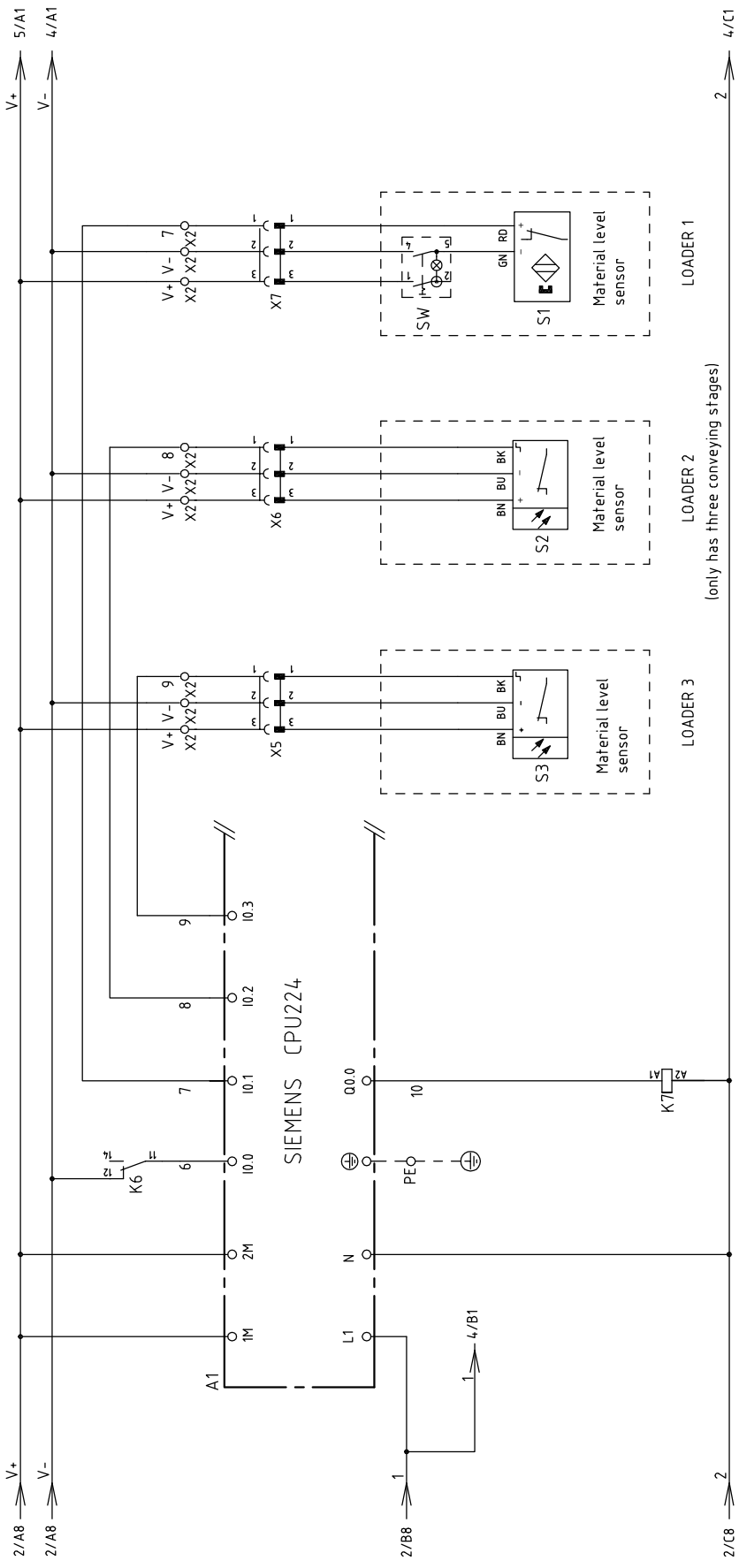




版本	Ver.D
Mark	Before modification
	After modification
	Modify date
	Checked by
	Proofread by
	Designer
	Drawer
	Version
	Approved by
	Date
	20160816

Title		SCD-120U(160U)/80H-LC		Drawing NO.		SCD-120U(160U)/80H-LC-CE-230V-F-2	
Electrical Diagram 2				Standard		CE	
Page 2		Totally 9		Voltage		230V	
Pages		Frequency		Voltage		50HZ	
Scale		Standard		Voltage		Frequency	
Page 2		Totally 9		Voltage		230V	
Pages		Frequency		Voltage		50HZ	





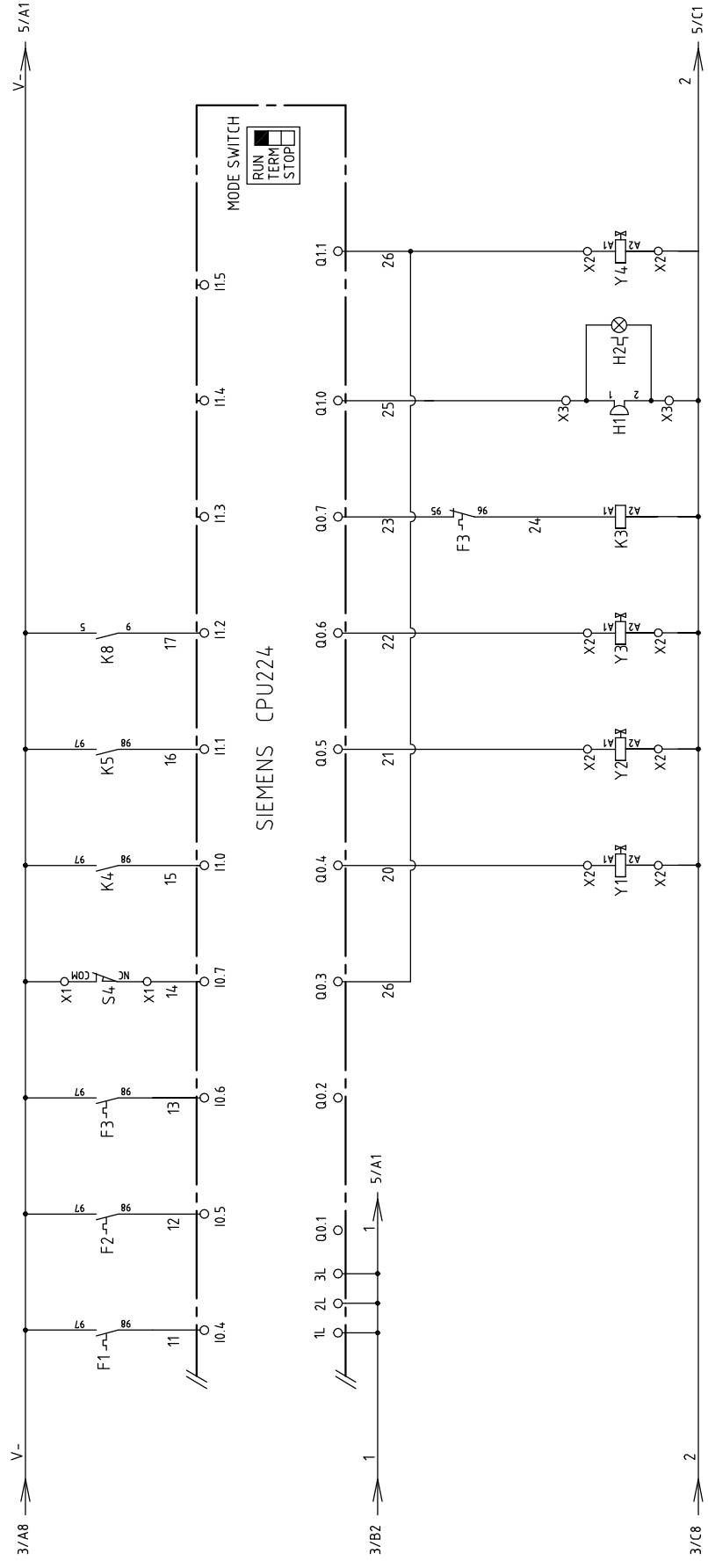
(only has three conveying stages)

版本 Ver.D

Mark	Before modification	Modified by	Modify date	Version	F	Title	Drawing NO.		Scale	Page
	After modification						Standard	Totally		
SCD-120U(160U)/80H-LC							SCD-120U(160U)/80H-LC-CE-230V-F-3		CE	3
Electrical Diagram 3									Voltage	9
									Frequency	230V
										50HZ
										8







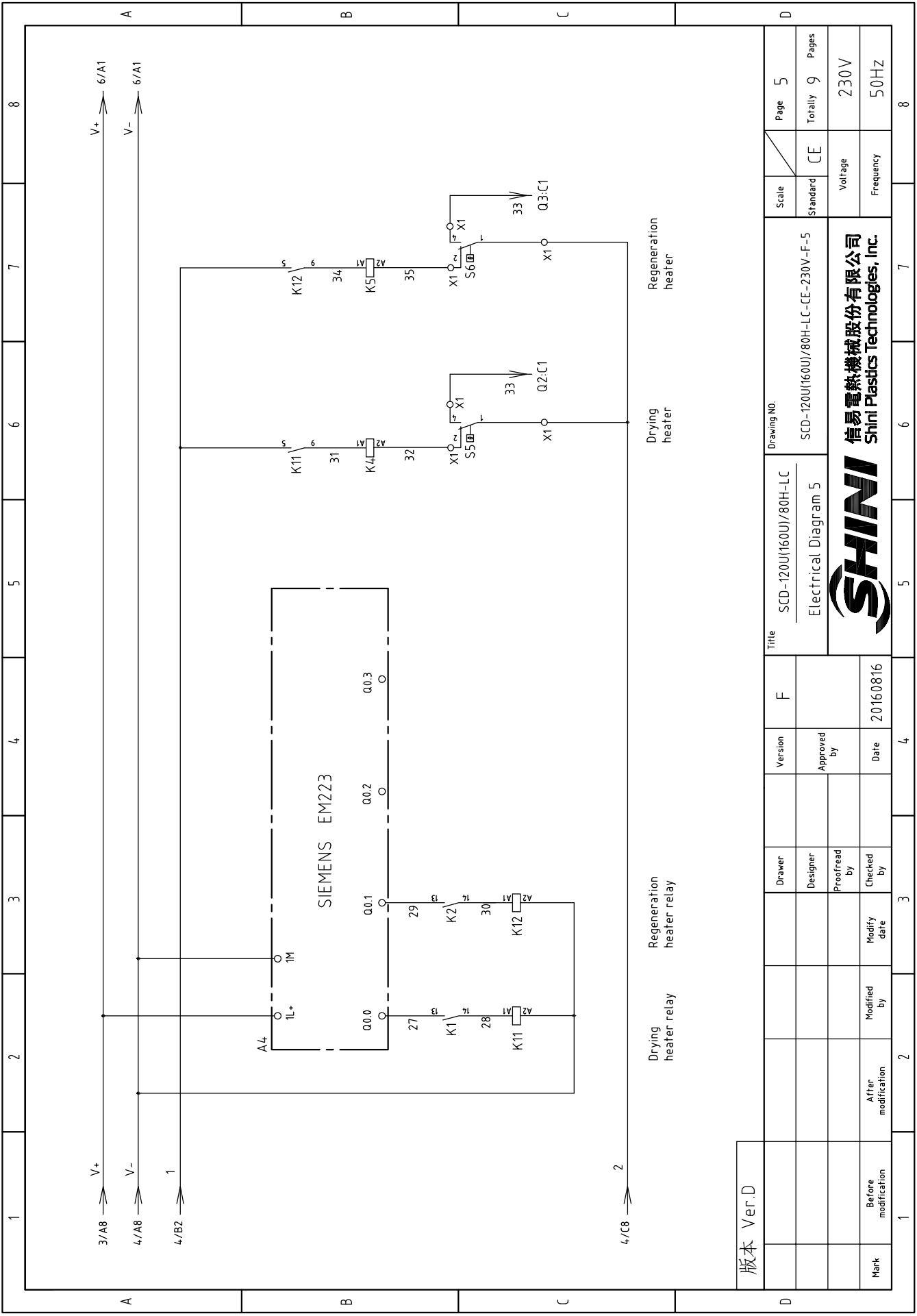
版本 Ver.D

Mark	Before modification	Modified by	Modify date	Checked by	Approved by	Date	20160816
Designer	Proofread by	Version	F	Approved by	Title		
SCD-120U(160U)/80H-LC			Electrical Diagram 4				
Drawing NO.			SCD-120U(160U)/80H-LC-CE-230V-F-4				



信易電熱機械股份有限公司  
Shini Plastics Technologies, Inc.

Scale	Standard	CE	Page	4
Standard	CE	Totally	9	Pages
Voltage	230V	Frequency	50HZ	



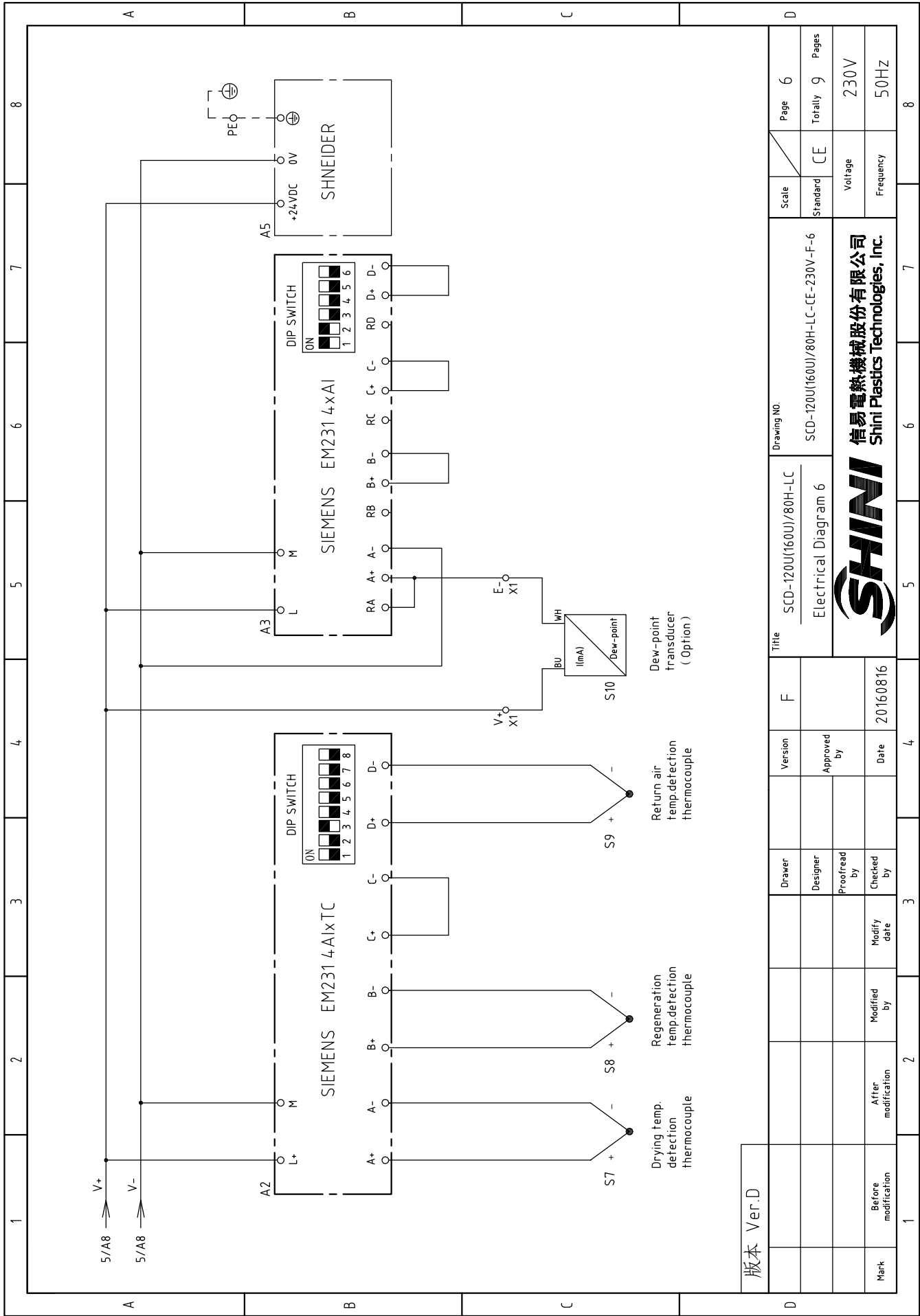
Mark	Before modification	Modified by	Modify date	3	4	5	6	7	8
Version	Ver.D	After modification	20160816	3	4	5	6	7	8

Scale	Standard	CE	Page	5
Standard	CE	Voltage	Totally	9
Frequency	230V	Frequency	Pages	50HZ


Drawing NO.		SCD-120U(160U)/80H-LC-CE-230V-F-5	
Title		SCD-120U(160U)/80H-LC Electrical Diagram 5	
Designer	Proofread by	Checked by	Modify date
Approved by	Date	20160816	

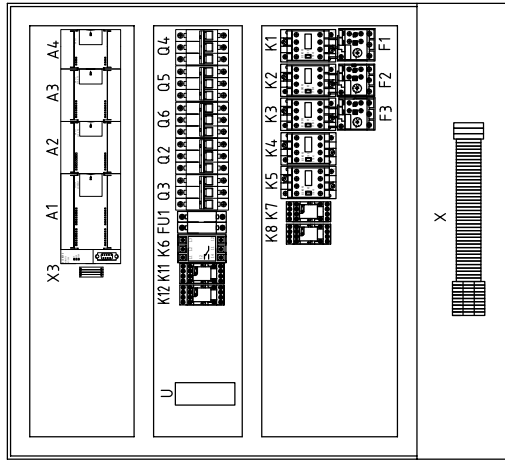
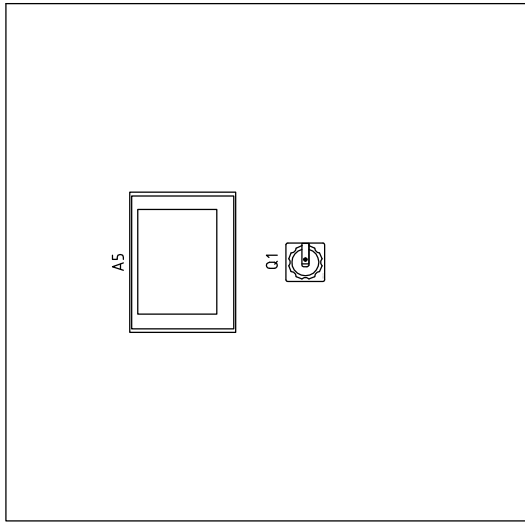


信易電熱機械股份有限公司  
Shini Plastics Technologies, Inc.



版本 Ver.D

Drawing NO.		Page 6	
SCD-120U(160U)/80H-LC		Totally 9 Pages	
Electrical Diagram 6		CE	
SCD-120U(160U)/80H-LC-CE-Z30V-F-6		Voltage 230V	
 信易電熱機械股份有限公司 Shini Plastics Technologies, Inc.		Frequency 50HZ	
Title	Version	Scale	Frequency
SCD-120U(160U)/80H-LC		Standard	230V
Electrical Diagram 6	Approved by	Voltage	50HZ
	Checked by	Frequency	
	Modify date		
	20160816		
1	2	3	4
5	6	7	8



PE	4	3	2	1
PE	1	2	2	25

Connect to buzzer/alarm indicator

Connect to fan motor

X3

9	8	7
V+	V+	V+
V-	V-	V-

Connect to material level sensor 1

Connect to material level sensor 2

Connect to material level sensor 3

X2

3	20	21	22	26
PE	PE	PE	PE	PE
2	2	2	2	2

Connect to honeycomb rotor motor

Connect to diaphragm valve 1

Connect to diaphragm valve 2

Connect to diaphragm valve 3(Option)

Connect to shut off valve 1

X1

28	27	26	25	24	23	22	21	20	19	18	17	16	15	14	13	12	11	10	9	8	7	6	5	4	3	2	1	
V+	E-	V-	V-	V-	14	33	32	2	33	35	U1	W1	U2	W2	PE	U3	W3	PE	U5	W5	PE	U4	W4	PE	L1	L2	L3	
PE	PE	PE	PE	PE	PE	PE	PE	PE	PE	PE	PE	PE	PE	PE	PE	PE	PE	PE	PE	PE	PE	PE	PE	PE	PE	PE	PE	PE

Connect to dew point transducer (option)

Connect to rotor micro switch

Connect to temp. protector

Connect to temp. protector

Connect to temp. protector

Connect to drying blower

Connect to regeneration blower

Connect to suction motor

Connect to regeneration heater

Connect to drying heater

Connect to power lines

版本 Ver.D

Mark	Before modification																													
	After modification																													
	Modify date																													
Checked by																														
Proofread by																														
Designer																														
Drawer																														
Version	F																													
Title		SCD-120U(160U)/80H-LC		Electrical Components Layout		Drawing NO.		SCD-120U(160U)/80H-LC-CE-230V-F-7		Scale		Standard		Page		7														
Approved by				Date		20160816		Voltage		Frequency		230V		50HZ		Totally		9		Pages										
Before modification				Date		20160816		Voltage		Frequency		230V		50HZ		Totally		9		Pages										



信易電熱機械股份有限公司  
Shini Plastics Technologies, Inc.

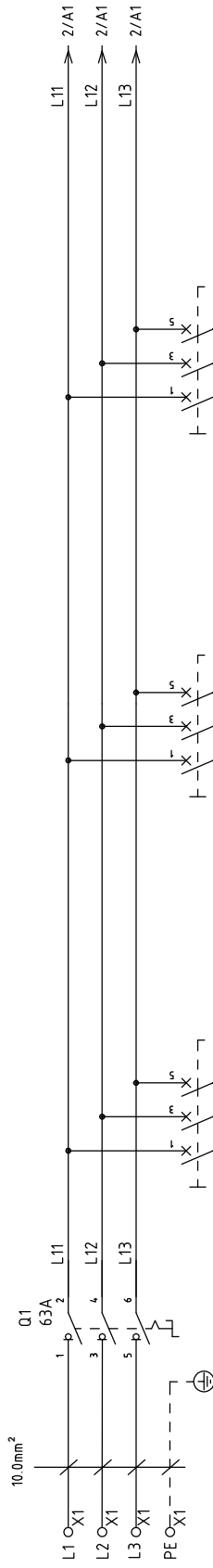
1	2		3	4	5	6	7	8
NO.	Symbol	Name	Manufacturer	Type	Specification	Number	Material number	Remark
1	Q1	Main switch	MOELLER	P3-63-EA/SVB	63A	1	YE10163630000	
2	Q2	Circuit-breaker	TECO	BM-63C 3P	20A	1	YE40302003000	
3	Q3 Q6	Circuit-breaker	TECO	BM-63C 3P	16A	2	YE40301603000	A
4		Excitation release	TECO	MX	220V 50/60Hz	2	YE40023560000	
5	Q4 Q5	Circuit-breaker	TECO	BM-63C 3P	10A/6A	1/1	YE40301003000/YE40300603000	
6	K1 K2	Contactor	SIEMENS	3RT6016-1AN21	220V 50/60Hz	2	YE00601621000	
7	K3	Contactor	SIEMENS	3RT6016-1AN21	220V 50/60Hz	1	YE00601621000	
8	K4	Contactor	SIEMENS	3RT6026-1AN21	220V 50/60Hz	1	YE00602622000	
9	K5	Contactor	SIEMENS	3RT6018-1AN21	220V 50/60Hz	1	YE00601800000	
10	K6	Phase relay	CHAOSHI	ABJ-10W	230V 50/60Hz	1	YE03102200000	
11	K7 K8	Middle relay	WEIDMULLER	DRM270730LT	220V 50/60Hz	2	YE03270700000	B
12	K11 K12	Middle relay	WEIDMULLER	DRM270724LT	24V DC	2	YE03272400000	
13	F1	Thermo overload relay	SIEMENS	3RU6116-1FB0	3.5-5A	1	YE01160350000	
14	F2	Thermo overload relay	SIEMENS	3RU6116-1DB0	2.2-3.2A	1	YE01160220000	
15	F3	Thermo overload relay	SIEMENS	3RU6116-1HB0	5.5-8A	1	YE01160550000	
16	A1	PLC	SIEMENS	CPU224 AC/DC/RLY	100-230VAC 50/60Hz	1	YE81022400100	
17	A2	PLC Expansion module	SIEMENS	EM231 4xTC	--	1	YE82023100100	
18	A3	PLC Expansion module	SIEMENS	EM231 4xAI	--	1	YE82023100000	(2)
19	A4	PLC Expansion module	SIEMENS	EM223	4-in 24VDC, 4-out 24VDC, transistor-out	1	YE82022300200	C
20	A5	Human-machine interface	SCHNEIDER	GX03501	24VDC	1	YE80350100100	
21	FU1	Fuse base	CHINT	RT18-32	2P	1	YE41032200000	
22		Fuse	CHINT	10x38 500V	2A	2	YE46002000100	
23	U	DC power	MEAN WELL	NES-35-24	OUT=DC24V 1.5A	1	YE71352400100	
24	S1	Reed switch	FOTEK	FC-12V	24VDC	1	YE15001200000	(1)
25	S2 S3	Photoelectric switch	FOTEK	T18-3MNB-PE	24VDC	2	YE15143900000	(1)
版本 Ver.D								
Notes: (1)Means it's not the material inside the control box. (2)Stands for optional.								
D			Title		Drawing NO.		Page	
			SCD-120U(160U)/80H-LC		SCD-120U(160U)/80H-LC-CE-230V-F-8		8	
			Electrical Components list 1		CE		Totally 9 Pages	
Mark			Before modification		Modified by		Voltage	
							230V	
			After modification		Modify date		Frequency	
			20160816				50HZ	
1	2		3	4	5	6	7	8



1	2		3	4	5	6	7	8
NO.	Symbol	Name	Manufacturer	Type	Specification	Number	Material number	Remark
26	S4	Micro switch	TEND	LXW5-11G1	250V 5(4)A	1	YE14152400000	(1)
27	S5	Temperature protector	----	----	250V 5(4)A	1	-----	(1)
28	S6	Temperature protector	----	----	250V 5(4)A	1	-----	(1)
29	S7 S8 S9	Thermocouple	SHINI	ST-K	K	3	-----	(1)
30	S10	Dew-point transducer	CS	CS 217-OEM	POWER=24VDC OUT=4-20mA	1	YE90021700100	(1) (2)
31	Y1-Y4	Solenoid valve	--	MSFW-230-50/60	220V 50/60Hz	4	-----	(1)
32	H1	Buzzer	HITPOINT	PF-35A	60-250V	1	YE84003500200	(1)
33	H2	Alarm indicator	SHINI	LED-3051	220V 50/60Hz	1	YE83305100200	(1)
34	X1 X2 X4	Terminal board	----	10mm <sup>2</sup>	76A 690V	3	YE60001003200	
35				10mm <sup>2</sup> PE	-	1	YE60001003500	
36		Terminal board	----	4mm <sup>2</sup>	41A 690V	15	YE60000403200	
37				4mm <sup>2</sup> PE	-	5	YE60000403500	
38				2.5mm <sup>2</sup>	32A 690V	20	YE60002503200	
39				2.5mm <sup>2</sup> PE	-	5	YE60002503400	
40	X3	Terminal board	----	ZDIK 1.5	10A 250V	3	YE60001003600	
41				FBSTB 10-ZDIK RD	10A 250V	3	YE60001000200	
42				SK2.5-TL	10A 250V	3	YE60002503600	
43	X5 X6 X7	Heavy duty connector	WEIN	HDC-HA-004.1	4P 10A	3	YE68041000100	(1)
44	FM	Fan	SUNON	DP-200A	230VAC 40W	1	YM60121200400	(1)
45	M1	Blower	SHINI	----	230V 0.75kW	1	-----	(1)
46	M2	Blower	SHINI	----	230V 0.4kW	1	-----	(1)
47	M3	Blower	SHINI	----	230V 1.5kW	1	-----	(1)
48	M4	Motor	----	----	230V 0.015kW	1	-----	(1)
49	EH1	Pipe heater	SHINI	----	230V 6kW	1	-----	(1)
50	EH2	Pipe heater	SHINI	----	230V 3kW	1	-----	(1)
							60Hz机型为4kw	
版本 Ver.D								
Notes: (1)Means it's not the material inside the control box. (2)Stands for optional.								
				Version	Title		Drawing NO.	
				Designer	SCD-120U(160U)/80H-LC		SCD-120U(160U)/80H-LC-CE-230V-F-9	
				Approved by	Electrical Components List 2		CE	
				Proofread by			Voltage	
				Checked by			Frequency	
				Modify date	20160816		230V	
				After modification			50HZ	
				Mark			Page	
				Before modification			Totally	
							9	
							Pages	
							9	
							8	



信易电热机械股份有限公司  
Shini Plastics Technologies, Inc.



P=6kW  
IN=15.5A  
Drying heater

P=3kW  
IN=7.8A  
Regeneration heater

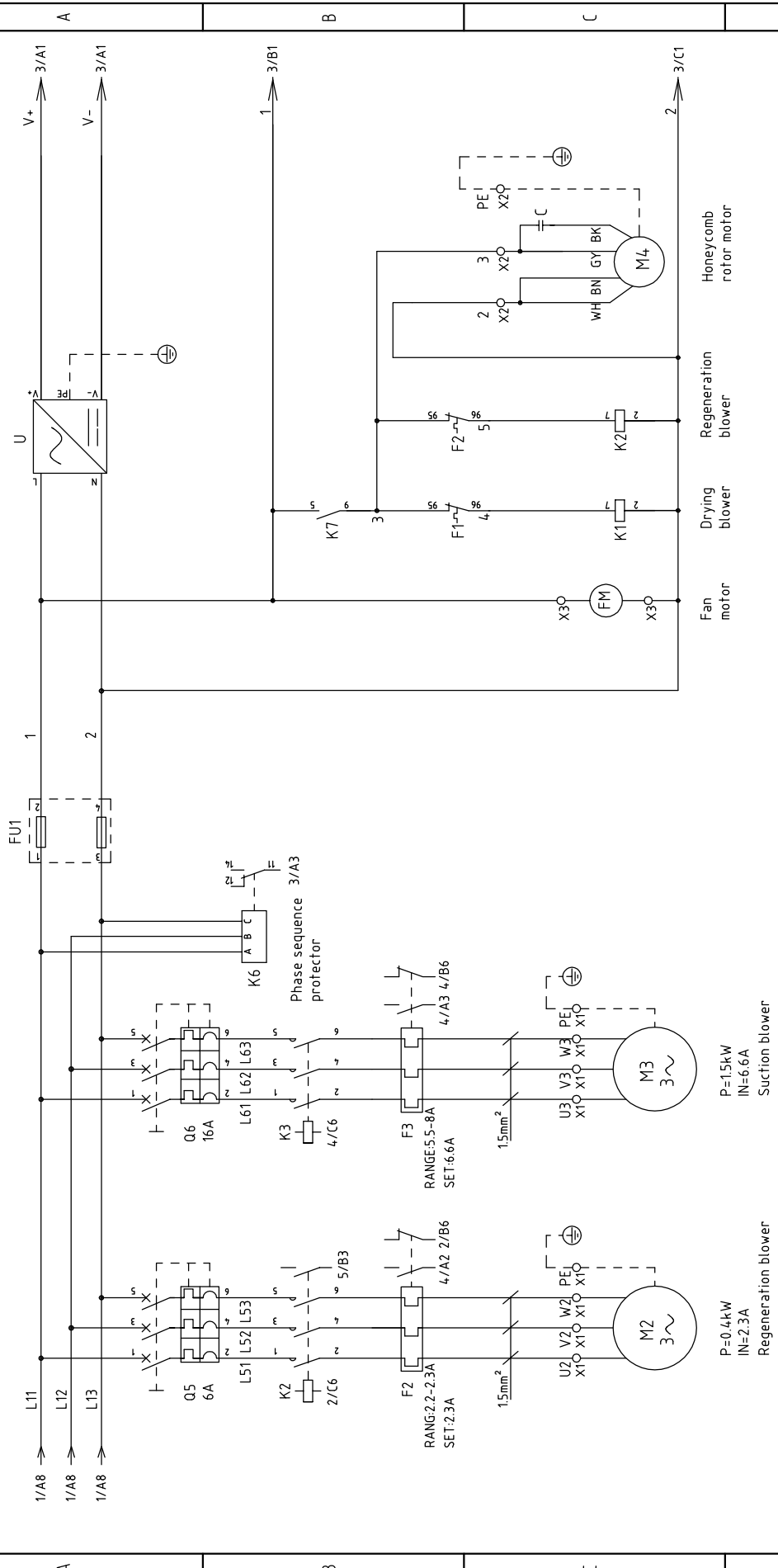
P=0.75kW  
IN=3.8A  
Drying blower

1600/120H 版本 Ver.D 2300/120H 版本 Ver.C

Note: For 60Hz, the regenerative heater is 4kW

Mark	Before modification	Modified by	Modify date	Checked by	Date	Approved by	Version	F	Title		
	After modification		20160816						SCD-160U(230U)/120H-LC Electrical Diagram 1		
Drawing NO.									Standard	Scale	Page
SCD-160U(230U)/120H-LC-CE-230V-F-1									CE		1
Voltage									Frequency		Pages
230V									50Hz		9

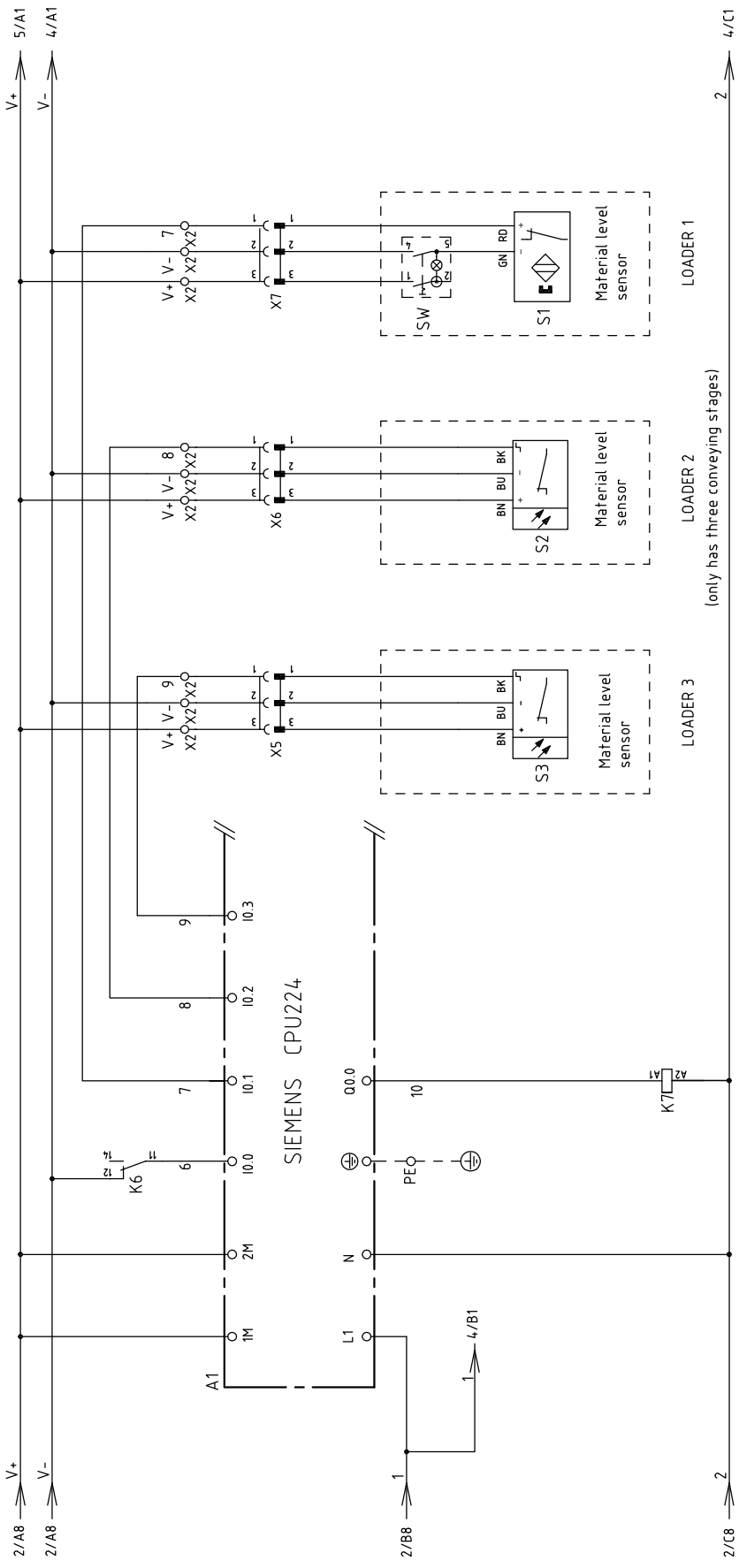




160U/120H 版本 Ver.D	230U/120H 版本 Ver.C	Title		Drawing NO.		Scale	Page
		SCD-160U(230U)/120H-LC		SCD-160U(230U)/120H-LC-CE-230V-F-2		Standard	Totally
		Electrical Diagram 2				CE	9
		Version		Approved by		Voltage	
		F				230V	
		Drawer		Designer		Frequency	
		Proofread by		Checked by		50HZ	
		Modify date		Date			
Mark	Before modification	After modification	Modified by	20160816			
1	2	3	4	5	6	7	8







1600/120H 版本 Ver.D 230U/120H 版本 Ver.C

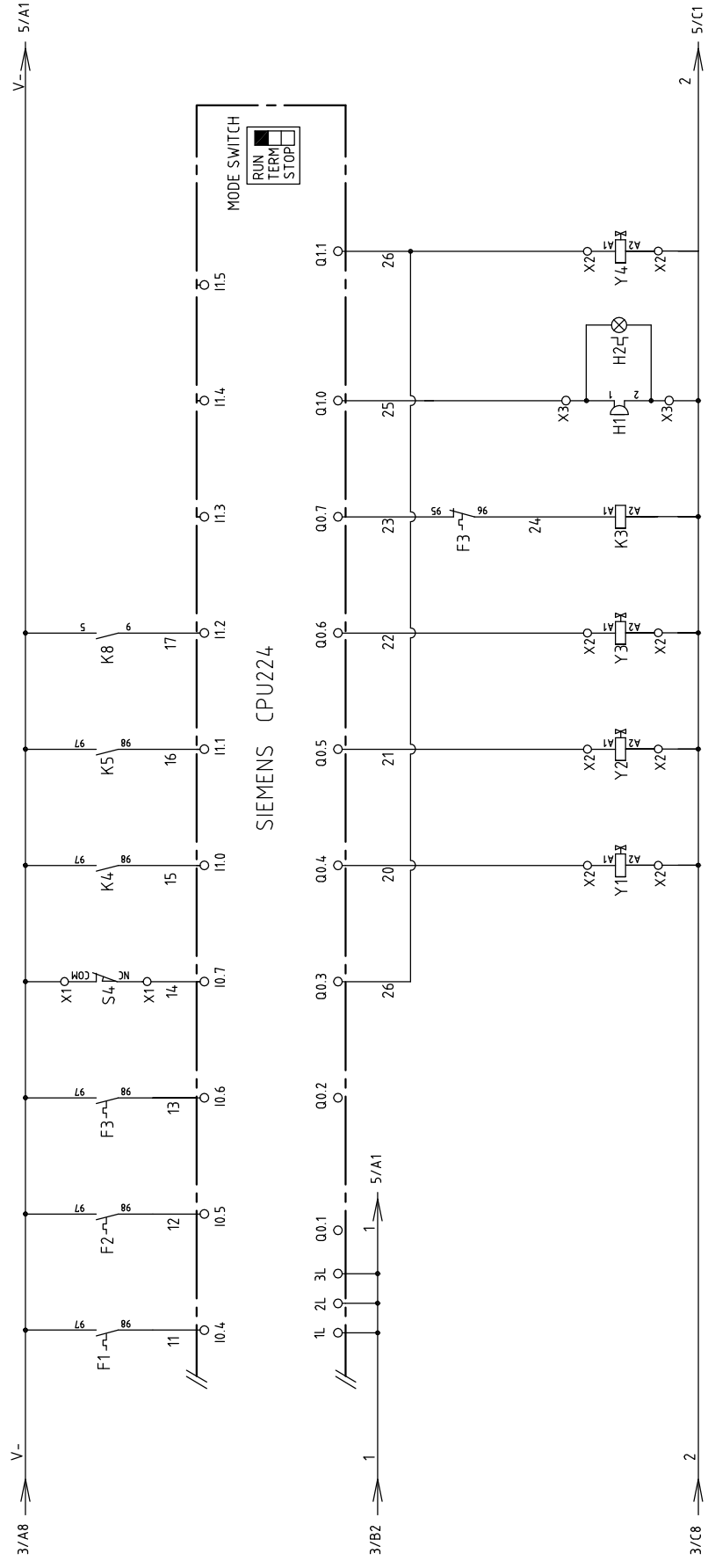
Mark	Before modification	Modified by	Modify date	20160816
	After modification			
Designer		Proofread by	Approved by	
Version	F			

Title SCD-160U(230U)/120H-LC  
Electrical Diagram 3

Drawing NO. SCD-160U(230U)/120H-LC-CE-230V-F-3

Scale	Standard	CE	Page 3
			Totally 9 Pages
		Voltage	230V
		Frequency	50HZ



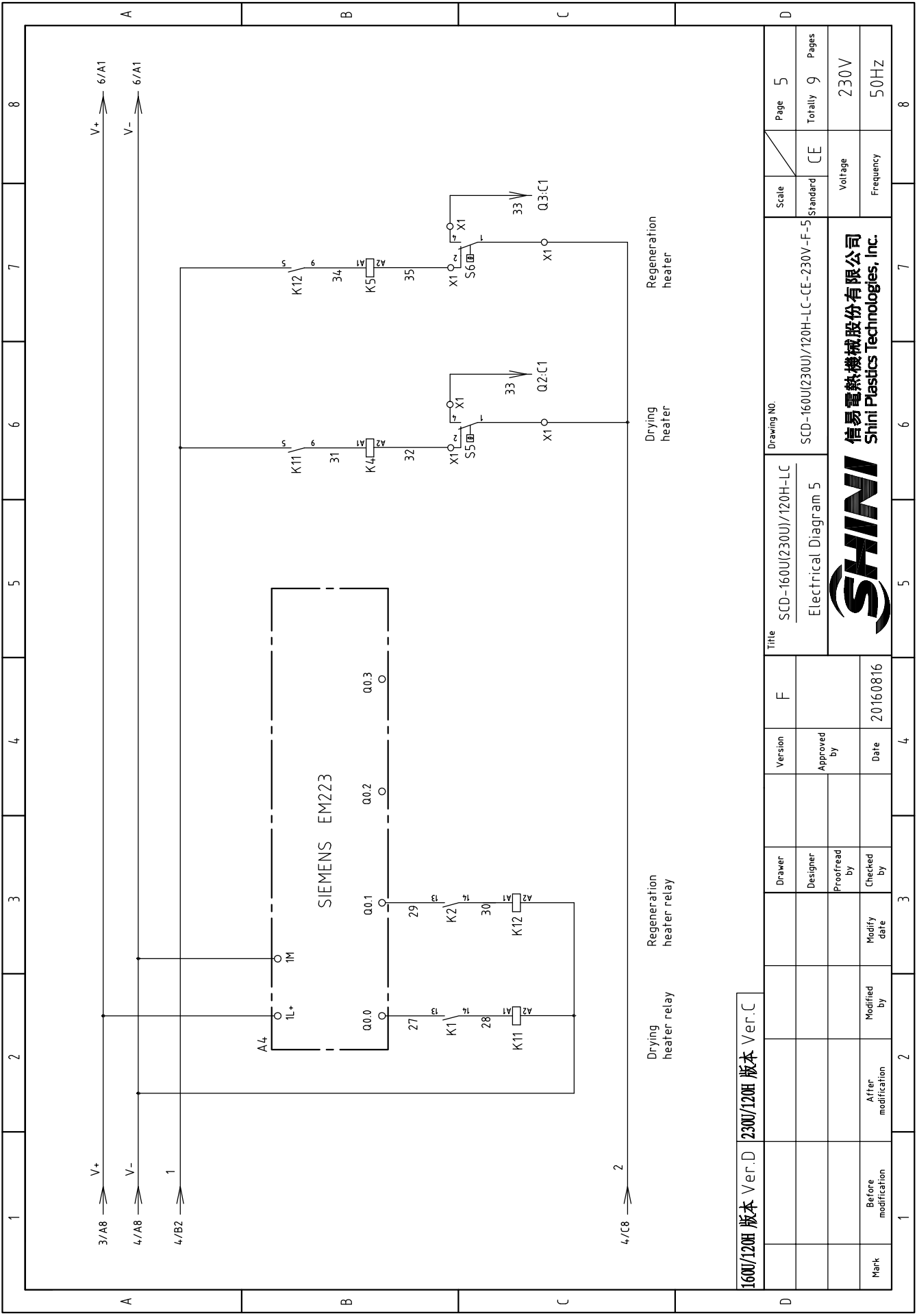


160U/120H 版本 Ver.D 230U/120H 版本 Ver.C

Mark	Before modification	Modified by	Modify date	Checked by	Proofread by	Designer	Drawer
	After modification	Modified by	Modify date	Checked by	Proofread by	Designer	Drawer
Version	F	Title SCD-160U(230U)/120H-LC					
Approved by		Electrical Diagram 4					
Date	20160816	Drawing NO. SCD-160U(230U)/120H-LC-CE-230V-F-4					

Scale	Standard	CE	Page	4
Standard	CE	Totally	9	Pages
Voltage	230V	Frequency	50HZ	





1600/120H 版本 Ver.D 230U/120H 版本 Ver.C

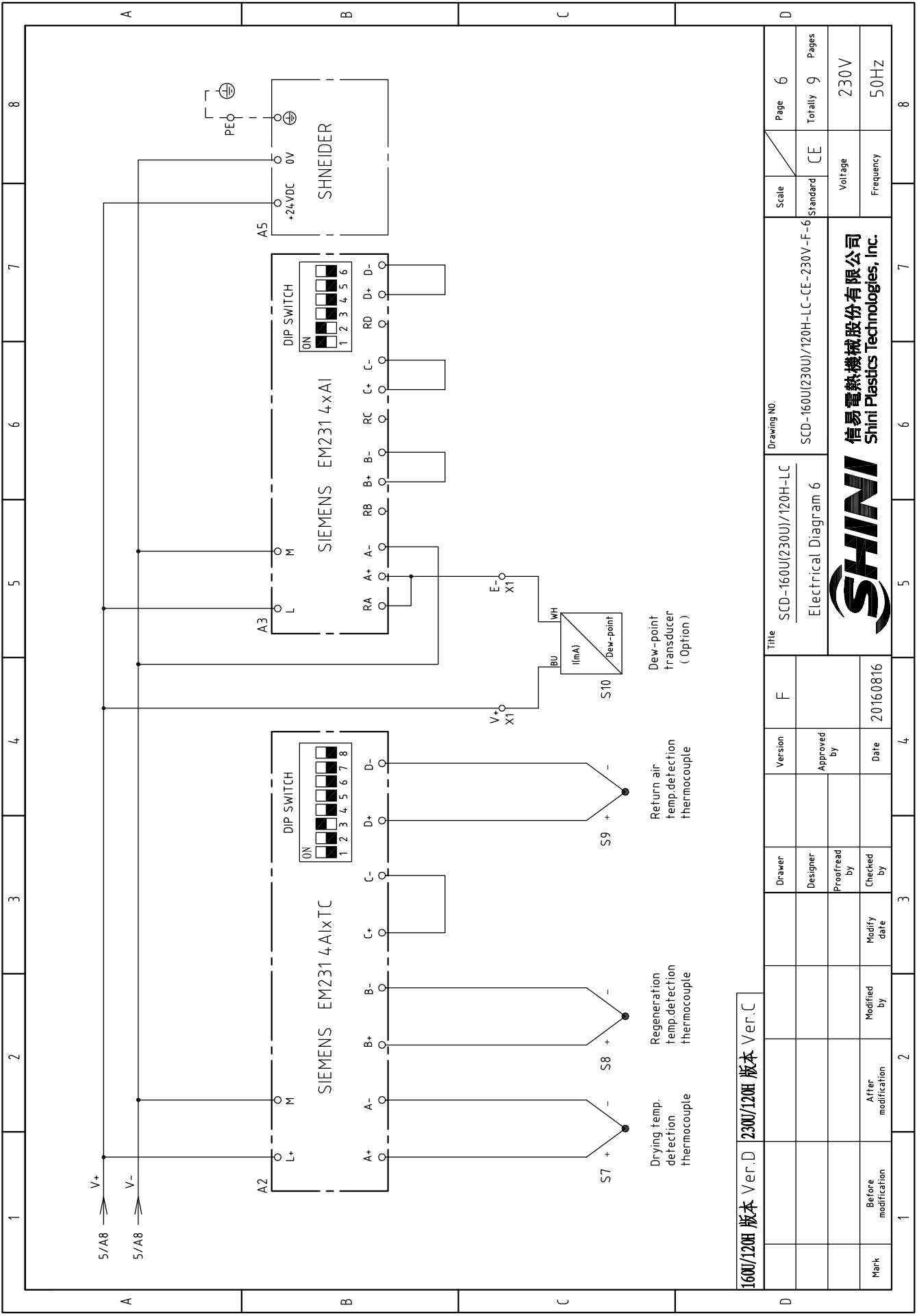
Mark	Before modification	After modification	Modified by	Modify date	Checked by	Proofread by	Designer	Drawer	Version	F	Title
				20160816							SCD-160U(230U)/120H-LC Electrical Diagram 5

Scale	Standard	Page	5
CE		Totally	9
Voltage		230V	
Frequency		50HZ	

信易電熱機械股份有限公司  
Shini Plastics Technologies, Inc.



Drawing NO.	Standard	Page	5
SCD-160U(230U)/120H-LC-CE-230V-F-5		Totally	9
Voltage		230V	
Frequency		50HZ	



1600/120H 版本 Ver.D		2300/120H 版本 Ver.C		1600/120H 版本 Ver.D		2300/120H 版本 Ver.C		1600/120H 版本 Ver.D		2300/120H 版本 Ver.C	
Mark	Before modification	After modification	Modified by	Modify date	Checked by	Proofread by	Designer	Drawer	Version	F	Title
											SCD-160U(230U)/120H-LC Electrical Diagram 6
											Scale
											Standard
											CE
											Page
											6
											Totally
											9
											Pages
											230V
											Voltage
											50HZ
											Frequency
											8
											9
											6
											7
											8
											8



Drawing NO.

SCD-160U(230U)/120H-LC-CE-230V-F-6

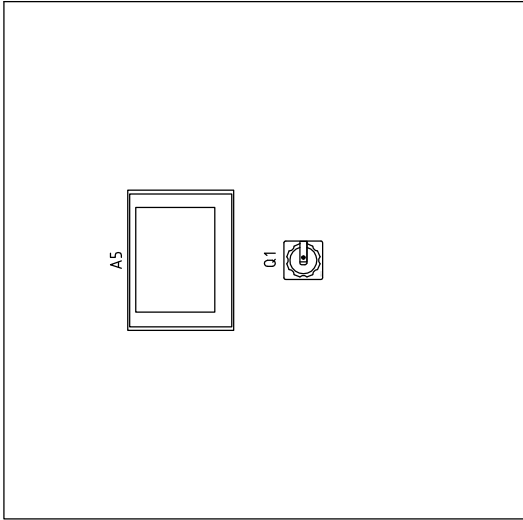
1 2 3 4 5 6 7 8

A

B

C

D



PE	4	3	2	1
PE	1	2	2	25

Connect to buzzer/alarm indicator  
Connect to fan motor

X3

9	8	7
V+	V+	V+
V-	V-	V-

Connect to material level sensor 1  
Connect to material level sensor 2  
Connect to material level sensor 3

X2

3	20	21	22	26	PE	PE
2	2	2	2	2	PE	PE
2	2	2	2	2	PE	PE

Connect to shut off valve 1  
Connect to diaphragm valve 3(Optional)  
Connect to diaphragm valve 2  
Connect to diaphragm valve 1  
Connect to honeycomb rotor motor

X1

28	27	26	25	24	23	22	21	20	19	18	17	16	15	14	13	12	11	10	9	8	7	6	5	4	3	2	1	PE
V+	E-	V-	V-	V-	33	32	2	33	35	U1	V1	W1	U2	V2	W2	PE	U3	V3	W3	PE	U5	V5	W5	PE	U4	V4	W4	PE

Connect to temp. protector  
Connect to temp. protector  
Connect to rotor micro switch  
Connect to dew point transducer (option)  
Connect to drying blower  
Connect to regeneration blower  
Connect to suction motor  
Connect to regeneration heater  
Connect to drying heater  
Connect to power lines

1600/120H 版本 Ver.D 2300/120H 版本 Ver.C

Mark	Before modification	After modification	Modified by	Modify date	Checked by	Proofread by	Designer	Drawer	Version	F	Title	Scale	Page
											SCD-160U(230U)/120H-LC Electrical Components Layout	Standard	7
											SCD-160U(230U)/120H-LC-CE-F-7	CE	Totally 9
													Pages
													230V
													50HZ
													8



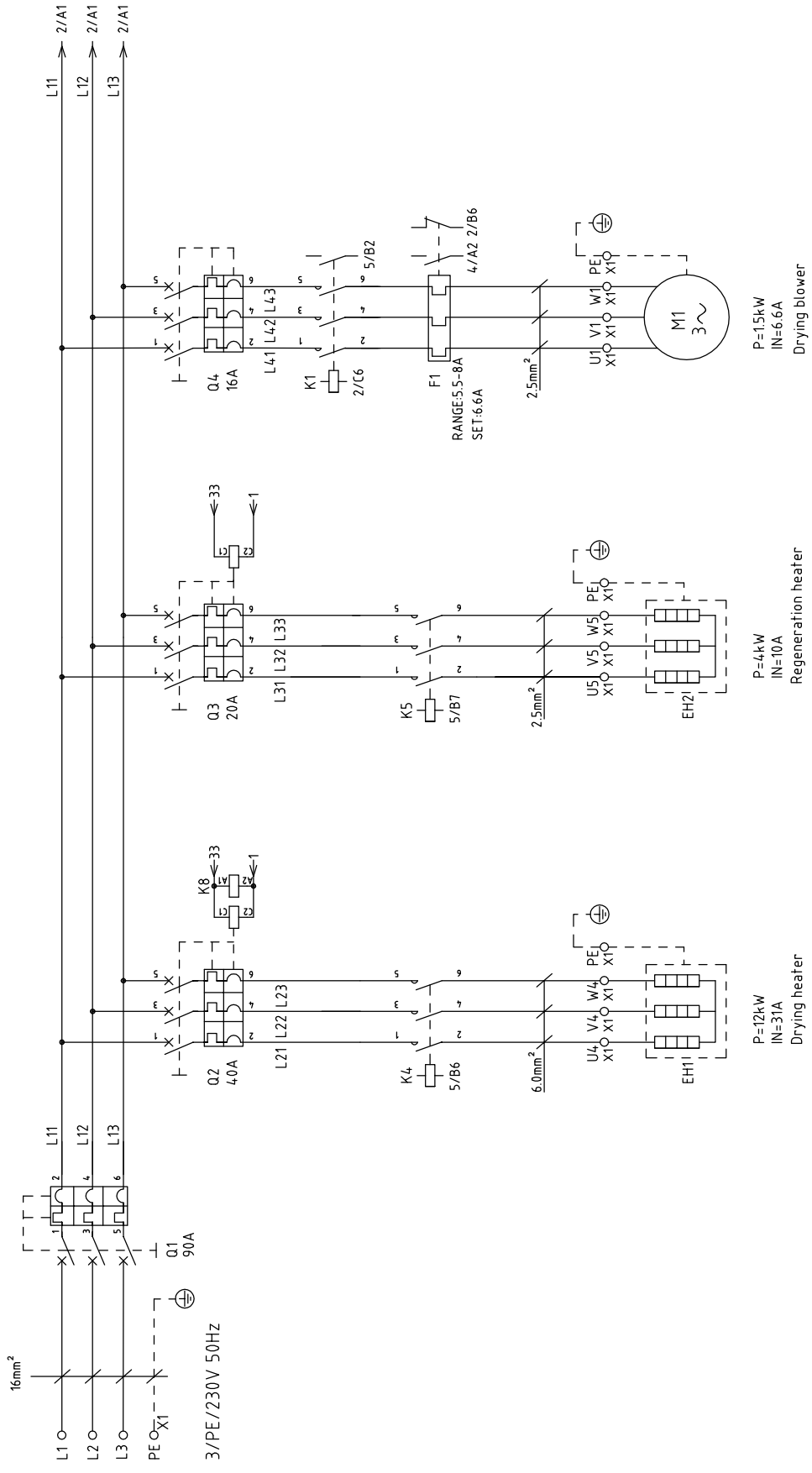
1 2 3 4 5 6 7 8

1	2		3	4	5	6	7	8
NO.	Symbol	Name	Manufacturer	Type	Specification	Number	Material number	Remark
1	Q1	Main switch	MOELLER	P3-63-EA/SVB	63A	1	YE10163630000	
2	Q2	Circuit-breaker	TECO	BM-63C 3P	20A	1	YE40302003000	
3	Q3 Q6	Circuit-breaker	TECO	BM-63C 3P	16A	2	YE40301603000	A
4		Excitation release	TECO	MX	220V 50/60Hz	2	YE40023560000	
5	Q4 Q5	Circuit-breaker	TECO	BM-63C 3P	10A/6A	1/1	YE40301003000/YE40300603000	
6	K1 K2	Contactor	SIEMENS	3RT6016-1AN21	220V 50/60Hz	2	YE00601621000	
7	K3	Contactor	SIEMENS	3RT6016-1AN21	220V 50/60Hz	1	YE00601621000	
8	K4	Contactor	SIEMENS	3RT6026-1AN21	220V 50/60Hz	1	YE00602622000	
9	K5	Contactor	SIEMENS	3RT6018-1AN21	220V 50/60Hz	1	YE00601800000	
10	K6	Phase relay	CHAOSHI	ABJ-10W	230V 50/60Hz	1	YE03102200000	
11	K7 K8	Middle relay	WEIDMULLER	DRM270730LT	220V 50/60Hz	2	YE03270700000	B
12	K11 K12	Middle relay	WEIDMULLER	DRM270724LT	24V DC	2	YE03272400000	
13	F1	Thermo overload relay	SIEMENS	3RU6116-1FB0	3.5-5A	1	YE01160350000	
14	F2	Thermo overload relay	SIEMENS	3RU6116-1DB0	2.2-3.2A	1	YE01160220000	
15	F3	Thermo overload relay	SIEMENS	3RU6116-1HB0	5.5-8A	1	YE01160550000	
16	A1	PLC	SIEMENS	CPU224 AC/DC/RLY	100-230VAC 50/60Hz	1	YE81022400100	
17	A2	PLC Expansion module	SIEMENS	EM231 4xTC	--	1	YE82023100100	
18	A3	PLC Expansion module	SIEMENS	EM231 4xAI	--	1	YE82023100000	(2)
19	A4	PLC Expansion module	SIEMENS	EM223	4-in 24VDC,4-out 24VDC,transistor-out	1	YE82022300200	C
20	A5	Human-machine interface	SCHNEIDER	GX03501	24VDC	1	YE80350100100	
21	FU1	Fuse base	CHINT	RT18-32	2P	1	YE41032200000	
22		Fuse	CHINT	10x38 500V	2A	2	YE46002000100	
23	U	DC power	MEAN WELL	NES-35-24	OUT=DC24V 1.5A	1	YE71352400100	
24	S1	Reed switch	FOTEK	FC-12V	24VDC	1	YE15001200000	(1)
25	S2 S3	Photoelectric switch	FOTEK	T18-3MNB-PE	24VDC	2	YE15143900000	(1)
1600/120H 版本 Ver.D 2300/120H 版本 Ver.C Notes: (1)Means it's not the material inside the control box. (2)Stands for optional.								
D			Drawer	Version	Title	Scale		Page
			Designer	F	SCD-160U(230U)/120H-LC	Standard		8
			Proofread by	Approved by	Electrical Components list 1		CE	Totally 9
			Checked by	Date	SCD-160U(230U)/120H-LC-CE-230V-F-8		Frequency	Pages
Mark			Modified by	20160816			Voltage	230V
Before modification			Modify date				Frequency	50HZ
1			3		5		7	
2			4		6		8	



信易電熱機械股份有限公司  
Shini Plastics Technologies, Inc.

1	2		3	4	5	6	7	8
NO.	Symbol	Name	Manufacturer	Type	Specification	Number	Material number	Remark
26	S4	Micro switch	TEND	LXW5-11G1	250V 5(4)A	1	YE14152400000	(1)
27	S5	Temperature protector	----	----	250V 5(4)A	1	----	(1)
28	S6	Temperature protector	----	----	250V 5(4)A	1	----	(1)
29	S7 S8 S9	Thermocouple	SHINI	ST-K	K	3	----	(1)
30	S10	Dew-point transducer	CS	CS 217-OEM	POWER=24VDC OUT=4-20mA	1	YE90021700100	(1) (2)
31	Y1-Y4	Solenoid valve	--	MSFW-230-50/60	220V 50/60Hz	4	----	(1)
32	H1	Buzzer	HITPOINT	PF-35A	60-250V	1	YE84003500200	(1)
33	H2	Alarm indicator	SHINI	LED-3051	220V 50/60Hz	1	YE83305100200	(1)
34	X1 X2 X4	Terminal board	----	10mm <sup>2</sup>	76A 690V	3	YE60001003200	
35				10mm <sup>2</sup> PE	-	1	YE60001003500	
36		Terminal board	----	4mm <sup>2</sup>	41A 690V	15	YE60000403200	
37				4mm <sup>2</sup> PE	-	5	YE60000403500	
38				2.5mm <sup>2</sup>	32A 690V	20	YE60002503200	
39				2.5mm <sup>2</sup> PE	-	5	YE60002503400	
40	X3	Terminal board	----	ZDIK 1.5	10A 250V	3	YE60001003600	
41				FBSTB 10-ZDIK RD	10A 250V	3	YE60001000200	
42				SK2.5-TL	10A 250V	3	YE60002503600	
43	X5 X6 X7	Heavy duty connector	WEIN	HBC-HA-004.1	4P 10A	3	YE68041000100	(1)
44	FM	Fan	SUNON	DP-200A	230VAC 40W	1	YM60121200400	(1)
45	M1	Blower	SHINI	----	230V 0.75kW	1	----	(1)
46	M2	Blower	SHINI	----	230V 0.4kW	1	----	(1)
47	M3	Blower	SHINI	----	230V 1.5kW	1	----	(1)
48	M4	Motor	----	----	230V 0.015kW	1	----	(1)
49	EH1	Pipe heater	SHINI	----	230V 6kW	1	----	(1)
50	EH2	Pipe heater	SHINI	----	230V 3kW	1	60Hz-4kW	(1)
1600/120H 版本 Ver.D 2300/120H 版本 Ver.C Notes: (1)Means it's not the material inside the control box. (2)Stands for optional.								
Mark			Before modification	Modified by	Modify date	Checked by	Voltage	
					20160816		230V	
D			Designer	Version	F	Title		Scale
						SCD-160U(230U)/120H-LC		Standard
			Proofread by	Approved by	Electrical Components List 2		Standard	CE
			Checked by	Date	SCD-160U(230U)/120H-LC-CE-230V-F-9		Totally	Page
					SHINI 信易電熱機械股份有限公司 Shini Plastics Technologies, Inc.		9	9
							Frequency	Pages
							50Hz	8



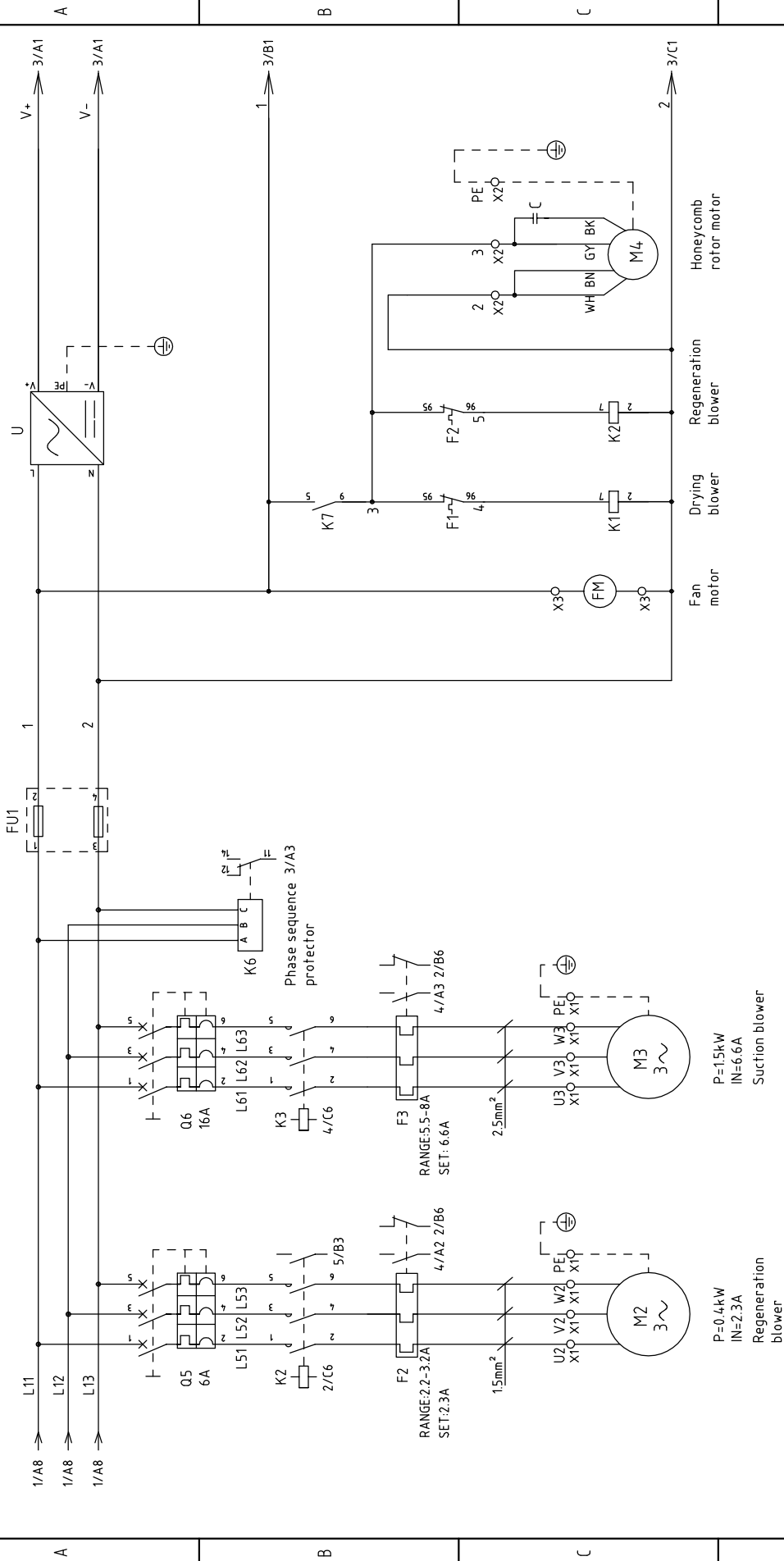
版本 Ver.C

Note: For 60Hz, the regenerative heater is 6kW

D	Scale	Standard	CE	Page	1
		Voltage		230V	
Title		SCD-300U(4.50U)/200H-LC		Totally 10	
Drawing NO.		SCD-300U(4.50U)/200H-LC-CE-230V-G-1		Pages	
Version		G		Frequency	
Approved by				50Hz	
Designer				Voltage	
Proofread by				Frequency	
Checked by				230V	
Modify date				50Hz	
After modification				8	
Mark		20160914		8	



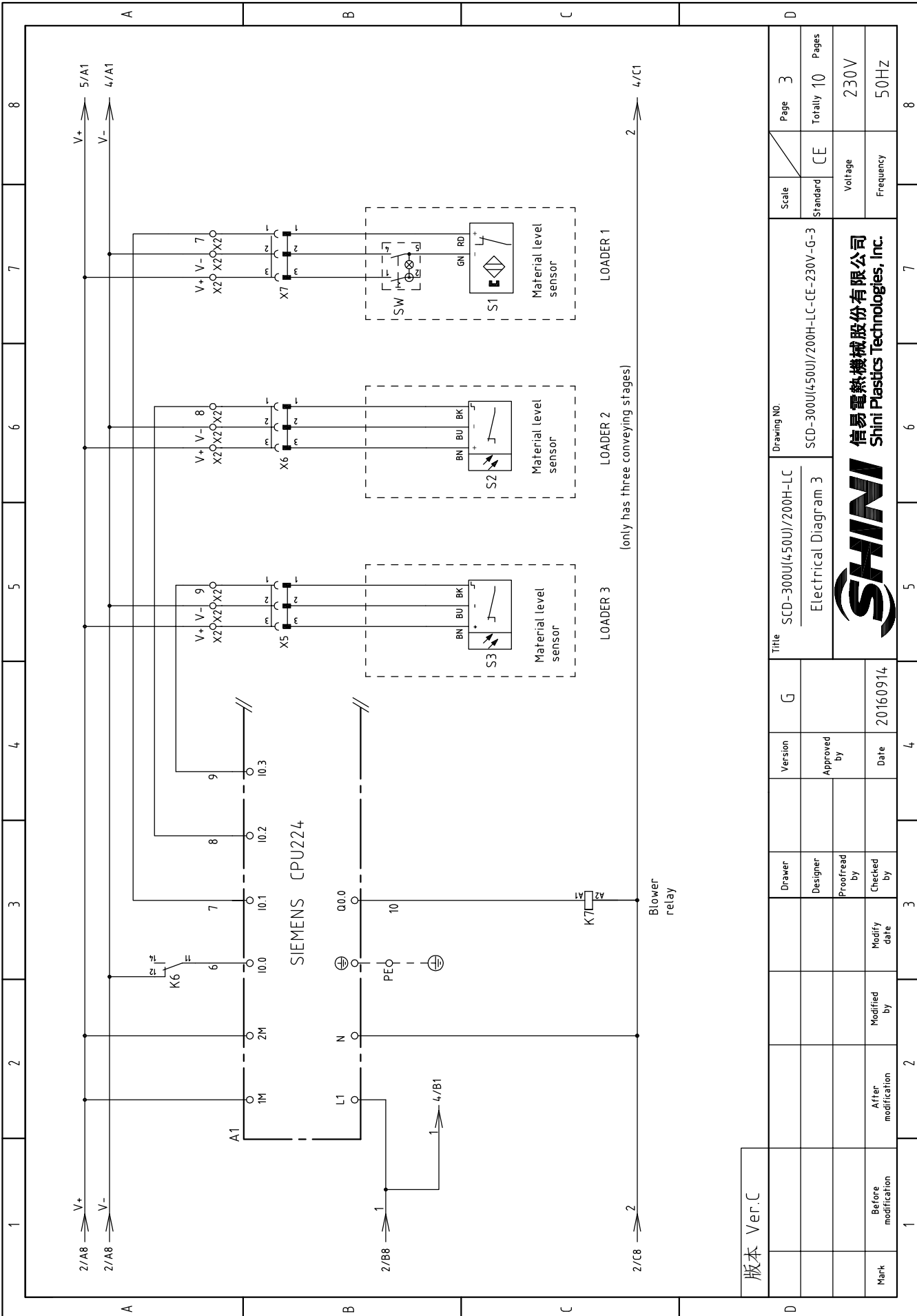




版本 Ver.C

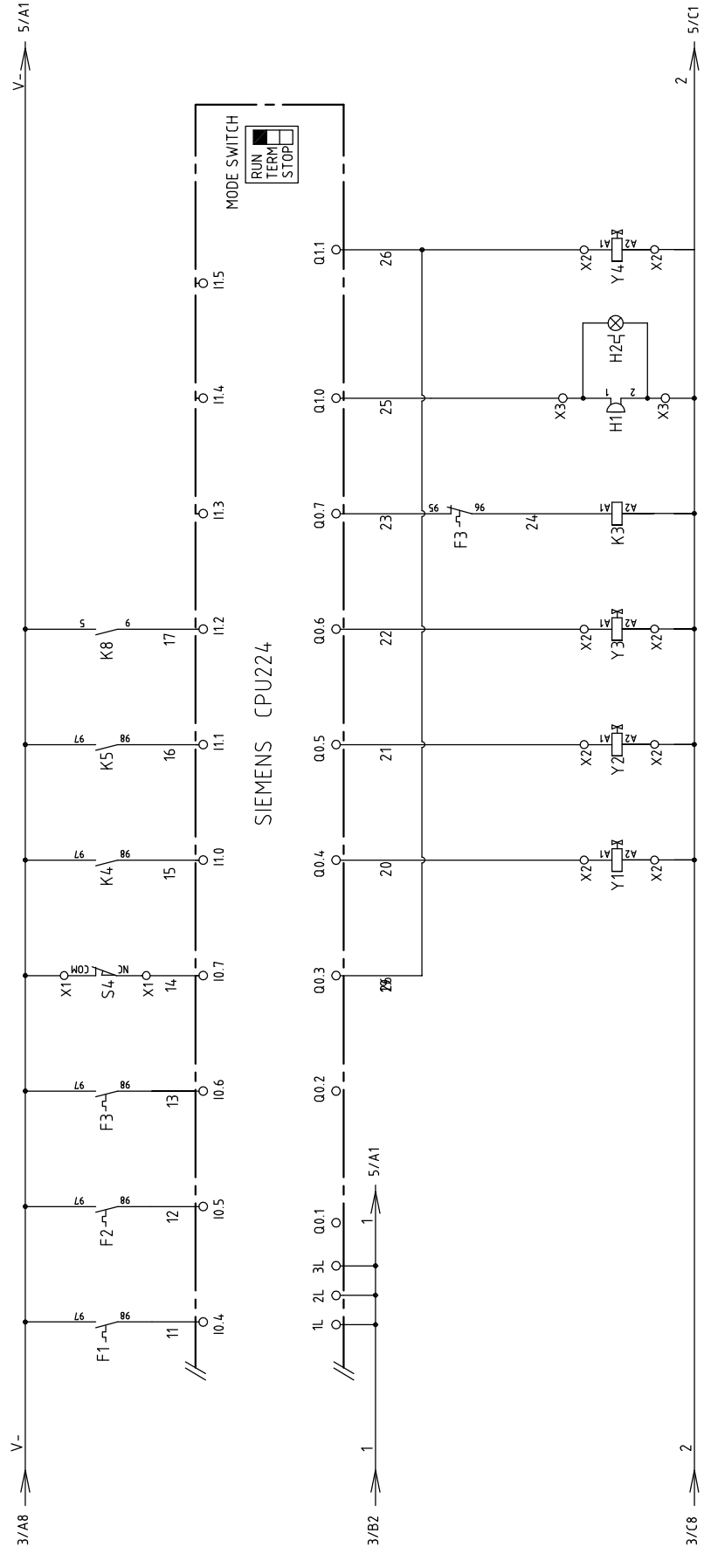
Title		SCD-300U(4.50U)/200H-LC		Drawing NO.		SCD-300U(4.50U)/200H-LC-CE-230V-G-2		Scale		Standard		CE		Page		2			
Electrical Diagram 2		SHINI		SHINI		SHINI		SHINI		SHINI		SHINI		SHINI		SHINI			
Version		G		Approved by		Date		20160914		Voltage		230V		Frequency		50HZ			
Mark		Before modification		After modification		Modify date		Checked by		Proofread by		Designer		Drawer		Totality		10	
Pages		8		8		8		8		8		8		8		8		8	

信易電熱機械股份有限公司  
Shini Plastics Technologies, Inc.



版本 Ver.C

Title	SCD-300U(4.50U)/200H-LC	Drawing NO.	SCD-300U(4.50U)/200H-LC-CE-230V-G-3
	Electrical Diagram 3		
Version	G	Page	3
Approved by		Totally	10
Date	20160914	Voltage	230V
Designer		Frequency	50HZ
Proofread by		Scale	CE
Checked by		Standard	CE
Modified by			
Modified date			
After modification			
Before modification			
Mark			

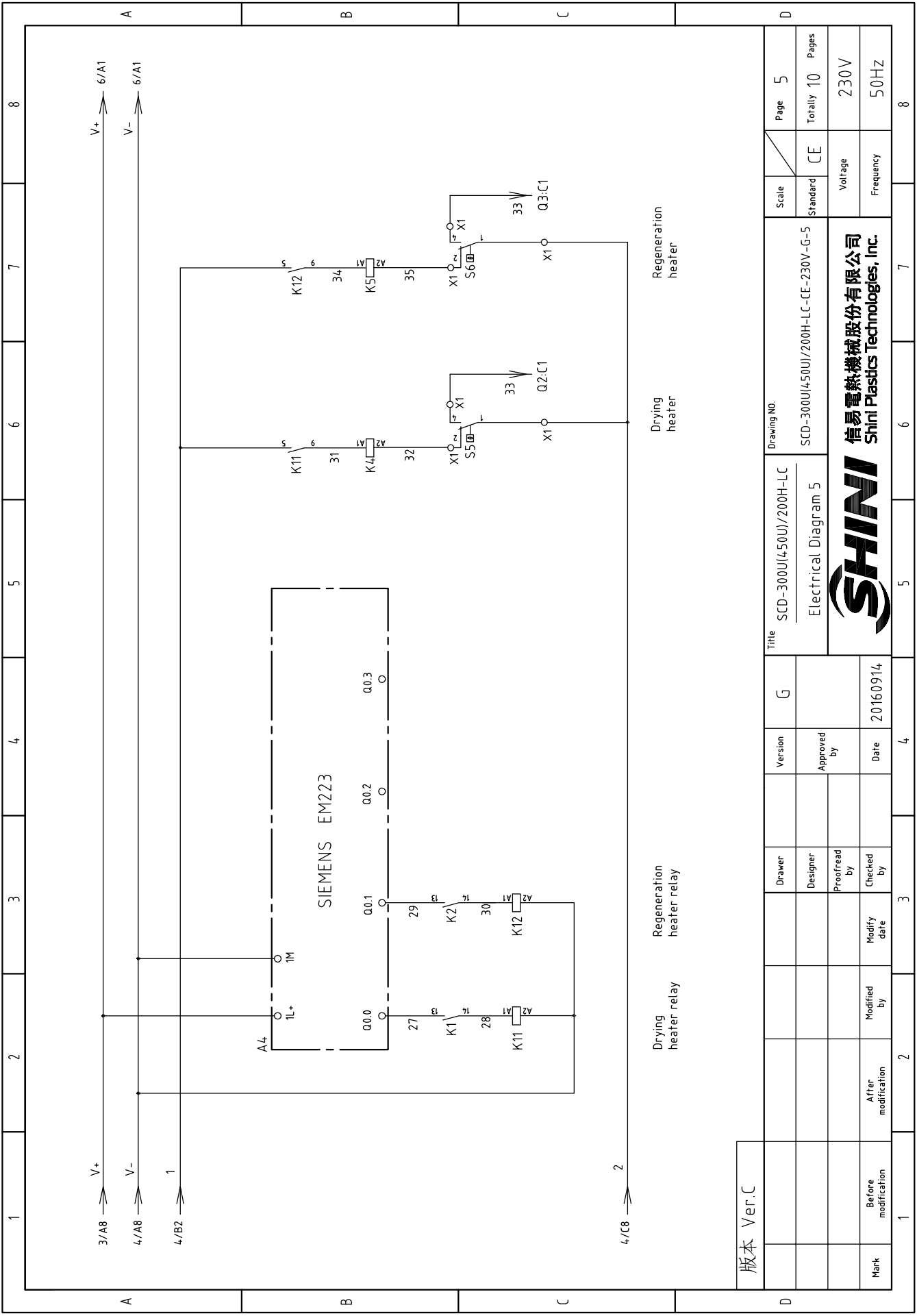


SIEMENS CPU224

版本 Ver.C

Mark	Before modification	Modified by	Modify date	Date	20160914	Approved by	Version	G	Title	Drawing NO.			
	After modification	Modified by	Modify date							SCD-300U(450U)/200H-LC	Electrical Diagram 4		
										Standard		Scale	Page
										CE		CE	4
										Voltage		Totally	
										230V		10	
										Frequency		Pages	
										50HZ		8	





Mark	Before modification	Modified by	Modify date	Checked by	Date	20160914
	After modification	Modified by	Modify date	Checked by	Date	
Version	G		Approved by			
Designer			Proofread by			
Drawer			Approved by			

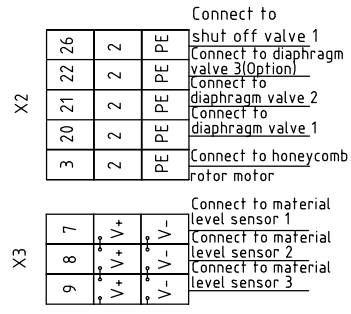
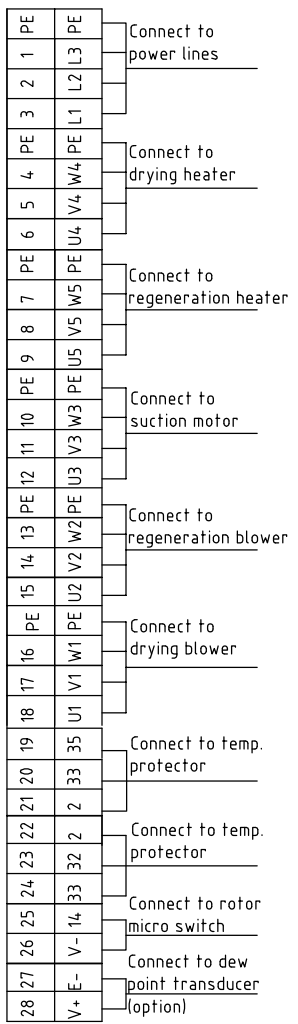
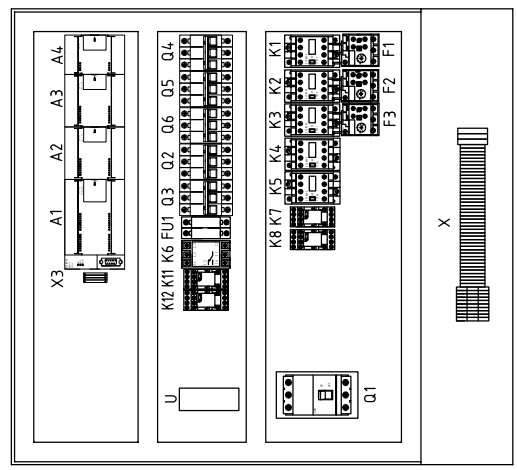
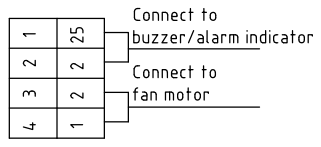
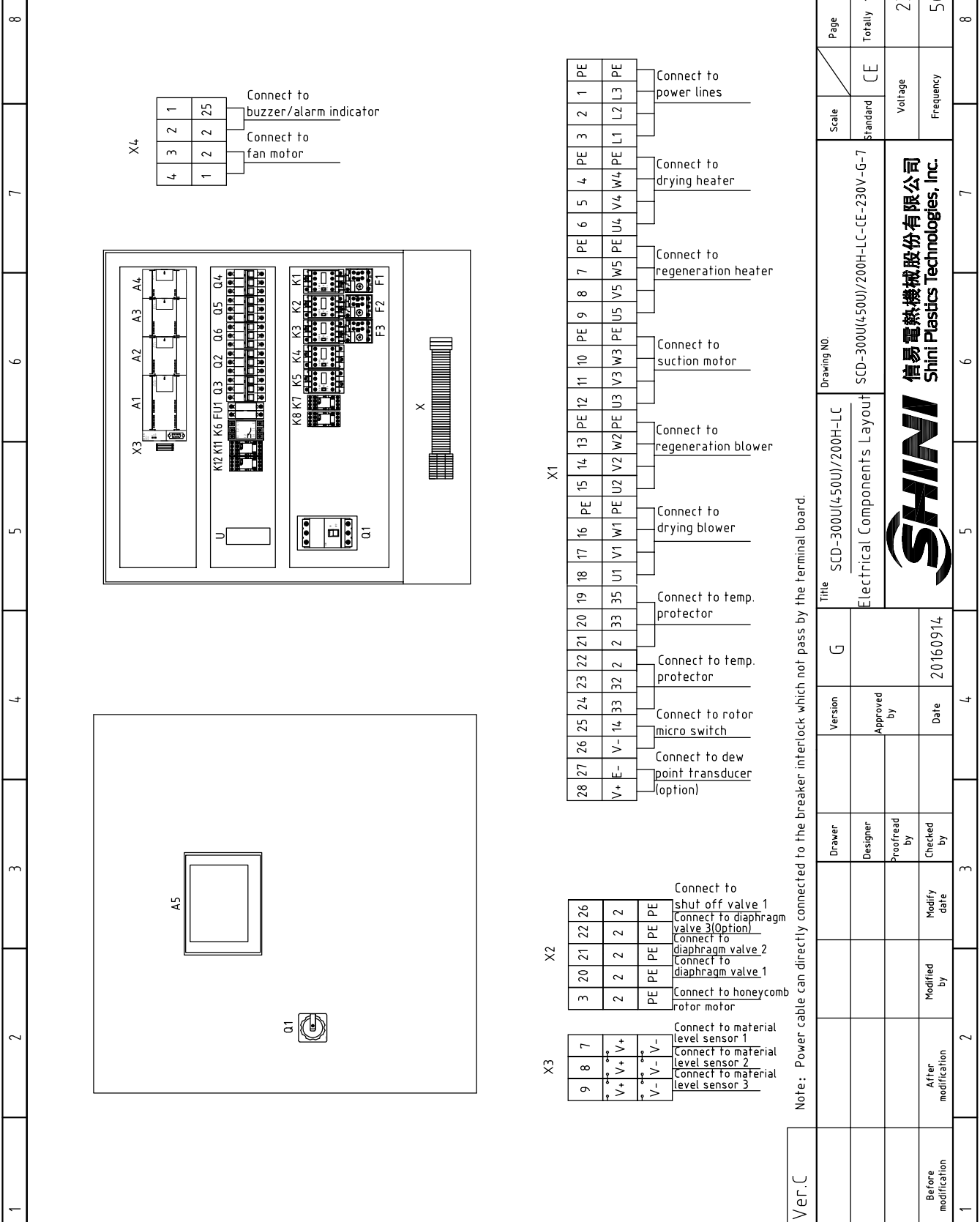
Title		SCD-300U(4.50U)/200H-LC		Drawing NO.		SCD-300U(4.50U)/200H-LC-CE-230V-G-5	
Electrical Diagram 5		G		Standard		CE	
Scale		Voltage		Page		5	
Frequency		230V		Totally		10	
Frequency		50HZ		Pages		8	

Version		G		Approved by			
Designer		Proofread by		Checked by		Date	
Drawer		Approved by		Date		20160914	
Title		SCD-300U(4.50U)/200H-LC		Drawing NO.		SCD-300U(4.50U)/200H-LC-CE-230V-G-5	
Electrical Diagram 5		G		Standard		CE	
Scale		Voltage		Page		5	
Frequency		230V		Totally		10	
Frequency		50HZ		Pages		8	

**SHINI**  
 信易電熱機械股份有限公司  
 Shini Plastics Technologies, Inc.

版本 Ver.C





Mark	Before modification	Modified by	Modify date	Checked by	Proofread by	Designer	Drawer	Version	G	Title	SCD-300U(450U)/200H-LC Electrical Components Layout	Scale	Standard	CE	Page	7	Totally	10	Pages	230V	50HZ
------	---------------------	-------------	-------------	------------	--------------	----------	--------	---------	---	-------	--	-------	----------	----	------	---	---------	----	-------	------	------

Note: Power cable can directly connected to the breaker interlock which not pass by the terminal board.



Drawing NO.

SCD-300U(450U)/200H-LC-CE-230V-G-7

1	2	3	4	5	6	7	8	
NO.	Symbol	Name	Manufacturer	Type	Specification	Number	Material number	Remark
1	Q1	Main switch	ABB	A1A125TMF90	90A	1	YE4.1109200000	
2	Q2	Circuit-breaker	TECO	BM-63C 3P	40A	1	YE4.03040003000	
3	Q3	Circuit-breaker	TECO	BM-63C 3P	20A	1	YE4.0302003000	
4		Excitation release	CHINT	MX	220V 50/60Hz	2	YE4.0023560000	
5	Q4 Q5	Circuit-breaker	TECO	BM-63C 3P	16A	2	YE4.0301603000	
6	Q6	Circuit-breaker	TECO	BM-63C 3P	6A	1	YE4.0300603000	
7	K1	Contactor	SIEMENS	3RT6016-1AN21	220V 50/60Hz	1	YE00601621000	
8	K2	Contactor	SIEMENS	3RT6016-1AN21	220V 50/60Hz	1	YE00601621000	
9	K3	Contactor	SIEMENS	3RT6016-1AN21	220V 50/60Hz	1	YE00601621000	
10	K4	Contactor	SIEMENS	3RT6028-1AN20	220V 50/60Hz	1	YE00602822000	
11	K5	Contactor	SIEMENS	3RT6018-1AN21	220V 50/60Hz	1	YE00601821000	
12	K6	Phase relay	CHAOSHI	ABJ-10W	230V 50/60Hz	1	YE03102200000	
13	K7 K8	Middle relay	WEIDMULLER	DRM270730LT	220V 50/60Hz	2	YE03270700000	
14	K11 K12	Middle relay	WEIDMULLER	DRM270724LT	24V DC	2	YE03272400000	
15	F1	Thermo overload relay	SIEMENS	3RU6116-1HB0	5.5-8A	1	YE01160550000	
16	F2	Thermo overload relay	SIEMENS	3RU6116-1DB0	2.2-3.2A	1	YE01160220000	
17	F3	Thermo overload relay	SIEMENS	3RU6116-1HB0	5.5-8A	1	YE01160550000	
18	A1	PLC	SIEMENS	CPU224 AC/DC/RLY	100-230VAC 50/60Hz	1	YE81022400100	
19	A2	PLC Expansion module	SIEMENS	EM231 4xTC	--	1	YE82023100100	
20	A3	PLC Expansion module	SIEMENS	EM231 4xAI	--	1	YE82023100000	(2)
21	A4	PLC Expansion module	SIEMENS	EM223	4-in 24VDC, 4-out 24VDC, transistor-out	1	YE82022300200	
22	A5	Human-machine interface	SCHNEIDER	GXU3512	24VDC	1	YE80351200200	
23	FU1	Fuse base	CHINT	RT18-32	2P	1	YE4.1032200000	
24		Fuse	CHINT	10x38 500V	2A	2	YE4.6002000100	
25	U	DC power	MEAN WELL	NES-35-24	OUT=DC24V 1.5A	1	YE71352400100	

版本 Ver.C	Notes: (1)Means it's not the material inside the control box. (2)Stands for optional.				Title SCD-300U(4.50U)/200H-LC		Drawing NO. SCD-300U(4.50U)/200H-LC-CE-230V-G-8		Scale Standard		Page 8	
					Electrical Components list 1		CE		Voltage 230V		Page 10	
Mark	Before modification	Modified by	Modify date	Checked by	Date	SHINI 信易電熱機械股份有限公司 Shini Plastics Technologies, Inc.		Frequency		50HZ		
1	2	3	4	5	6	7	8					

1	2		3	4	5	6	7	8	
NO.	Symbol	Name	Manufacturer	Type	Specification	Number	Material number	Remark	
26	S1	Reed switch	FOTEK	FC-12V	24VDC	1	-----	(1)	
27	S2 S3	Photoelectric switch	FOTEK	T18-3MNB-PE	24VDC	2	YE15143900000	(1)	
28	S4	Micro switch	TEND	LXW5-11G1	250V 5(4)A	1	YE14152400000	(1)	
29	S5	Temperature protector	----	-----	250V 5(4)A	1	-----	(1)	
30	S6	Temperature protector	----	-----	250V 5(4)A	1	-----	(1)	
31	S7 S8 S9	Thermocouple	SHINI	ST-K	K	3	-----	(1)	
32	S10	Dew-point transducer	CS	CS 217-OEM	POWER=24VDC OUT=4-20mA	1	YE90021700100	(2)	
33	Y1-Y5	Solenoid valve	--	MSFW-230-50/60	220V 50/60Hz	5	-----	(1)	
34	H1	Buzzer	HITPOINT	PF-35A	60-250V	1	YE84003500200	(1)	
35	H2	Alarm indicator	SHINI	LED-3051	220V 50/60Hz	1	YE83305100200	(1)	
36	X1	Terminal board	--	16mm <sup>2</sup> PE	-	1	YE60001603500		
37			--	6mm <sup>2</sup>	57A 690V	3	YE60000603200		
38				6mm <sup>2</sup> PE	-	1	YE60000603500		
39				4mm <sup>2</sup>	41A 690V	12	YE60000403200		
40				4mm <sup>2</sup> PE	-	4	YE60000403500		
41				2.5mm <sup>2</sup>	32A 690V	8	YE60002503200		
42				2.5mm <sup>2</sup>	32A 690V	2	YE60002503200	(2)	
43	X2			2.5mm <sup>2</sup>	32A 690V	10	YE60002503200		
44	X4			2.5mm <sup>2</sup>	32A 690V	4	YE60002503200		
45	X3	Terminal board	----	ZDIK 15	10A 250V	4	YE60001500000		
46				FBSTB 10-ZDIK RD	10A 250V	4	YE60001000200		
47				FBSTB 10-ZDIK BU	10A 250V	4	YE60001000000		
48	X5 X6 X7	Heavy duty connector	WEIN	HDC-HA-004.1	4P 10A	3	YE68041000100	(1)	
49	FM	Fan	SUNON	DP-200A	230VAC 40W	1	YM60121200400	(1)	
50	M1	Blower	SHINI	-----	230V 1.5KW	1	-----	(1)	
版本 Ver.C									
Notes: (1)Means it's not the material inside the control box. (2)Stands for optional.									
Mark			Before modification	Modified by	Modify date	Checked by	Proofread by	Designer	
Ver.C					20160914				
D			Ver.C	G	Electrical Components List 2	SCD-300U(4.50U)/200H-LC		Scale	
			Version	Approved by	SCD-300U(4.50U)/200H-LC		Standard		
			Drawer	Approved by	Drawing NO.		CE		
					SCD-300U(4.50U)/200H-LC-CE-230V-G-9		Page 9		
					Electrical Components List 2		Totally 10 Pages		
							Voltage		
							Frequency		
							230V		
							50HZ		
1			2	3	4	5	6	7	
8			SHINI						8
			信易電熱機械股份有限公司						
			Shini Plastics Technologies, Inc.						

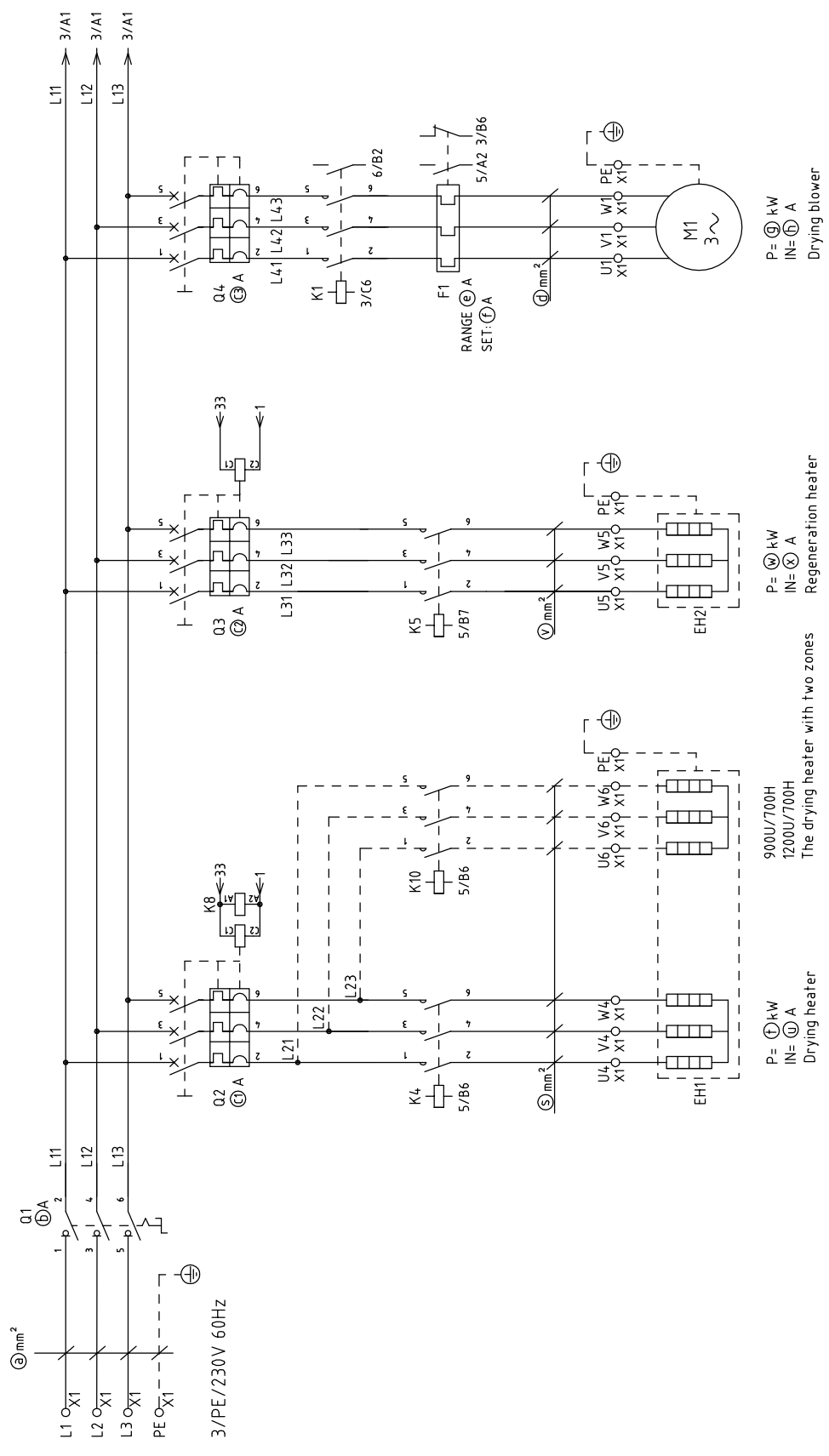




- (a)** Main power wire dia. **(m)** Regenerative blower current  
**(b)** The rated current of main power switch **(n)** Suction blower wire dia.  
**(c)** The rated current of drying heater breaker **(o)** Suction blower overload relay  
**(d)** The rated current of regenerative heater breaker **(p)** Default suction blower overload relay  
**(e)** Drying blower wire dia. **(q)** Drying heater current  
**(f)** Suction blower power **(r)** Drying heater power  
**(g)** Regenerative heater wire dia. **(s)** Regenerative heater current  
**(h)** Regenerative heater power **(t)** Regenerative heater current

Mode	Symbol	Ver.	(a)	(b)	(c)	(d)	(e)	(f)	(g)	(h)	(i)	(j)	(k)	(l)	(m)	(n)	(o)	(p)	(q)	(r)	(s)	(t)	(u)	(v)	(w)	(x)			
SCD-600U/400H	Ver.B	35.0	125	60	25	32	10	16	4.0	11-16	15.5	3.75	14.5	1.5	3.5-5	4.0	0.75	3.8	2.5	5.5-8	7.0	1.5	6.6	16.0	18	4.7.2	4.0	7.2	18.9
SCD-750U/400H	Ver.B	35.0	125	60	25	32	10	16	4.0	11-16	15.5	3.75	14.5	1.5	3.5-5	4.0	0.75	3.8	2.5	5.5-8	7.0	1.5	6.6	16.0	18	4.7.2	4.0	7.2	18.9
SCD-900U/700H	Ver.E	50.0	160	80	40	63	16	4.0	6.0	23-28	26	7.5	25.2	2.5	5.5-8	7.0	1.5	6.6	2.5	11-16	12	3.75	12	6.0x2	12x2	31x2	6.0	10	26.5
SCD-1200U/700H	Ver.E	50.0	160	80	40	63	16	4.0	6.0	23-28	26	7.5	25.2	2.5	5.5-8	7.0	1.5	6.6	2.5	11-16	12	3.75	12	6.0x2	12x2	31x2	6.0	10	26.5

Drawing NO.		SCD-PLC		Title		SCD-PLC-CE-230V-B-1		Scale		Page 1	
Parameter List of Circuit Diagram		Version		B		Standard		CE		Totally 23 Pages	
SHINI		Approved by		Date		Voltage		230V		Frequency	
信易電熱機械股份有限公司 Shini Plastics Technologies, Inc.		20151022		20151022		Frequency		50HZ		8	
Mark	Before modification	After modification	Modified by	Modify date	Checked by	Proofread by	Designer	Drawer	Version	8	



Scale		Page 2	
Standard		CE	
Voltage		230V	
Frequency		60Hz	
Drawing NO.		SCD-PLC-CE-230V-A-2	
Title		Electrical Diagram 1	
Version		A	
Approved by		20130701	
Date		20130701	
Checked by		20130701	
Modified by		20130701	
After modification		20130701	
Mark		20130701	
Before modification		20130701	
Modified by		20130701	
Checked by		20130701	
Date		20130701	
Approved by		20130701	
Designer		20130701	
Drawer		20130701	
Version		A	
Title		SCD-PLC	
Drawing NO.		SCD-PLC-CE-230V-A-2	
Standard		CE	
Page		2	
Totally		23	
Pages		23	



P= ④ kW  
IN= ⑥ A  
Drying heater

P= ⑤ kW  
IN= ⑦ A  
Regeneration heater

P= ⑥ kW  
IN= ⑧ A  
Drying heater with two zones

P= ⑦ kW  
IN= ⑨ A  
The drying heater with two zones

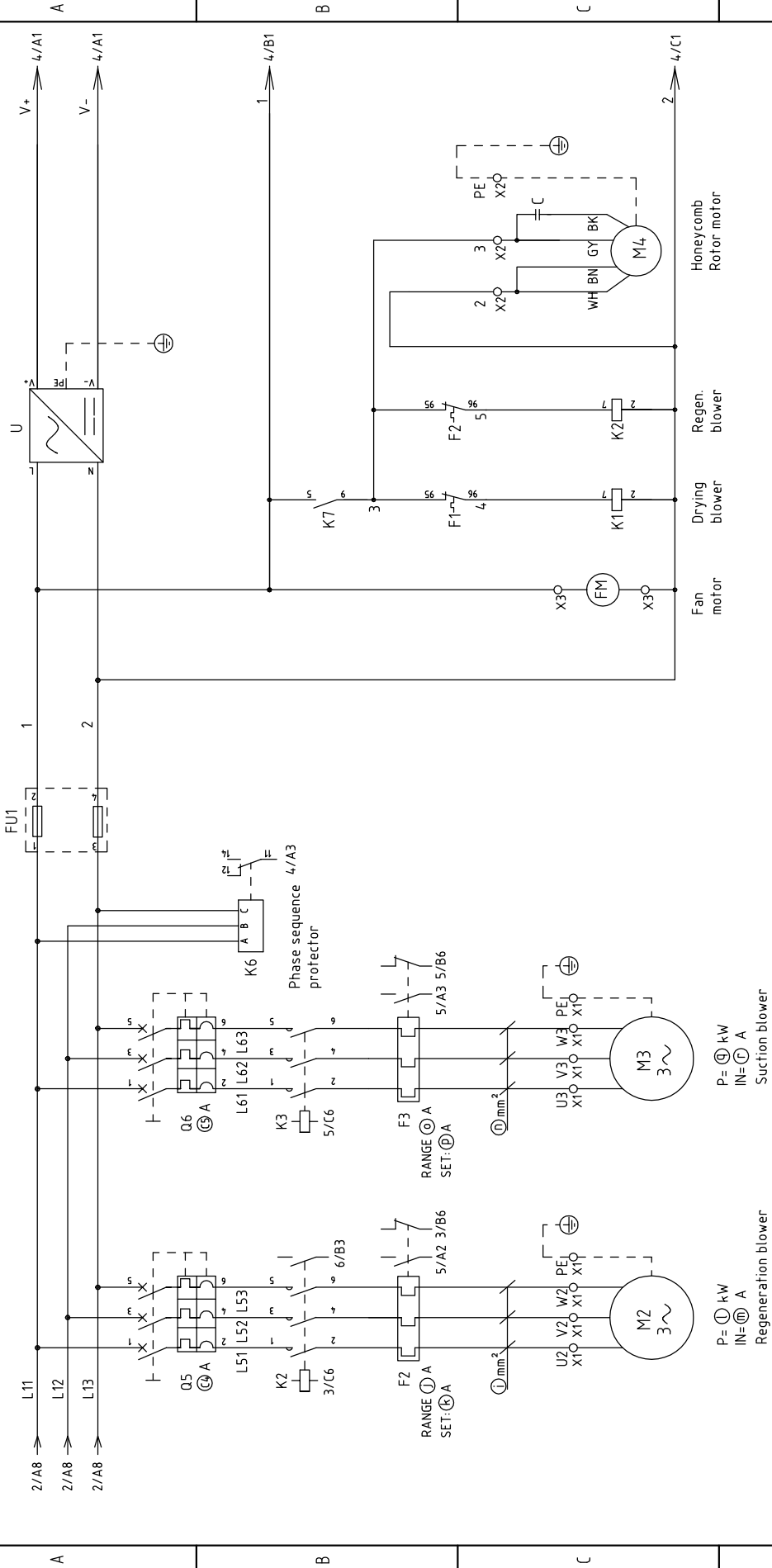
P= ⑧ kW  
IN= ⑩ A  
Drying heater

P= ⑨ kW  
IN= ⑪ A  
Drying heater

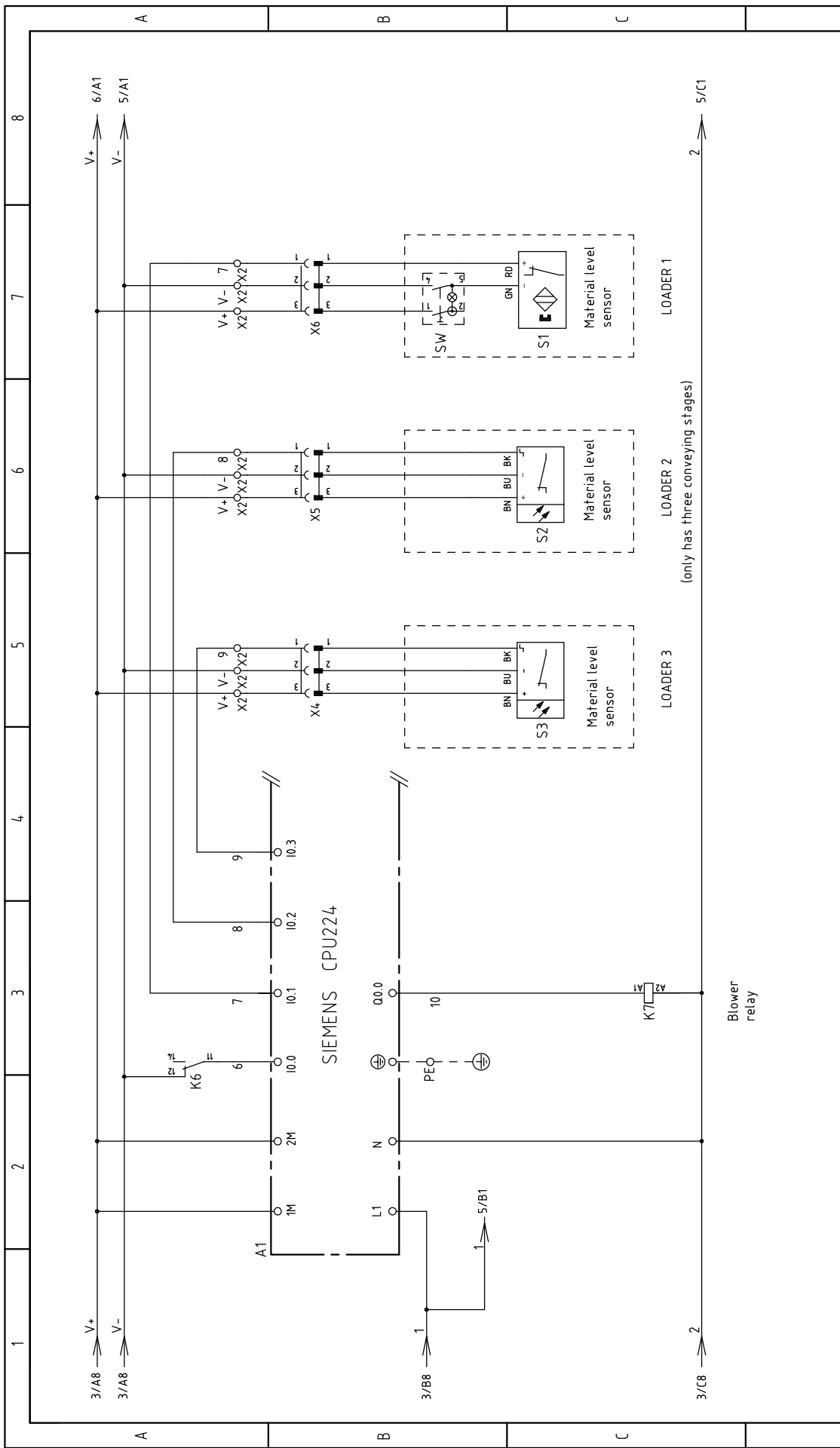
P= ⑩ kW  
IN= ⑫ A  
Drying blower

1 2 3 4 5 6 7 8

A B C D

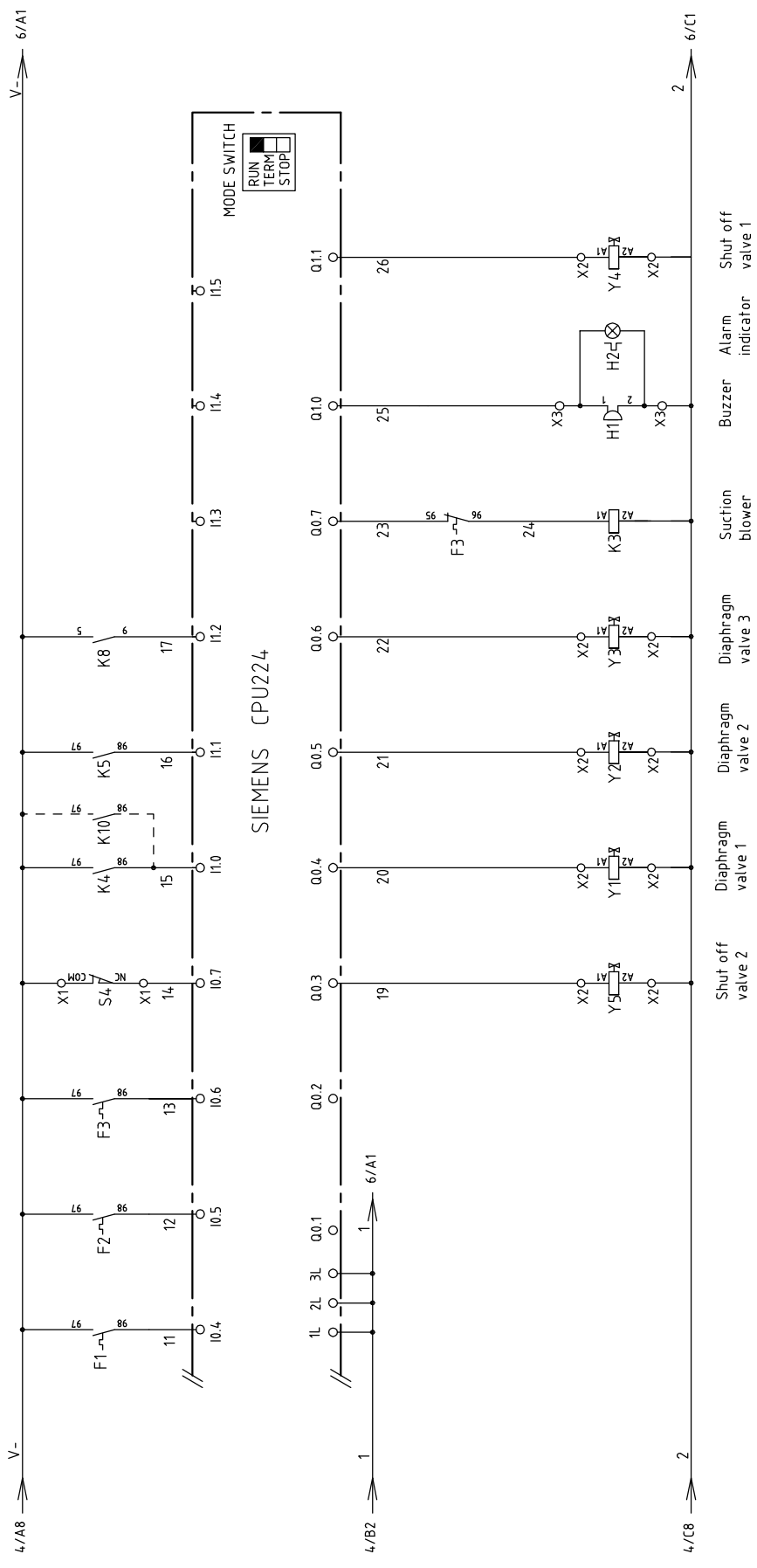


Mark	Before modification	Modified by	Modify date	Checked by	Date	Approved by	Version	A	Title	Drawing NO.		Page	3	
	After modification	Modified by	Modify date							Standard	CE			Totally
Electrical Diagram 2										SCD-PLC-CE-230V-A-3		Voltage		230V
SHINI										信易電熱機械股份有限公司		Frequency		60HZ
SCD-PLC										Scale		Voltage		230V
Electrical Diagram 2										Standard		Frequency		60HZ
SHINI										SHINI		Totally		23
SHINI										SHINI		Page		3
SHINI										SHINI		Drawing NO.		SCD-PLC-CE-230V-A-3
SHINI										SHINI		Version		A
SHINI										SHINI		Title		SCD-PLC
SHINI										SHINI		Electrical Diagram 2		SCD-PLC-CE-230V-A-3
SHINI										SHINI		Drawing NO.		SCD-PLC-CE-230V-A-3
SHINI										SHINI		Page		3
SHINI										SHINI		Totally		23
SHINI										SHINI		Voltage		230V
SHINI										SHINI		Frequency		60HZ



Scale	Standard	CE	Page	4
Voltage		230V	Totally 23	
Frequency		60HZ	Pages	
Drawing NO.		SCD-PLC-CE-230V-A-4	8	
Title		SCD-PLC Electrical Diagram 3	7	
Version	Approved by	A	6	
Designer	Proofread by		5	
Checked by	Modify date	20130701	4	
Mark	After modification		3	
Before modification			2	
Blower relay			1	



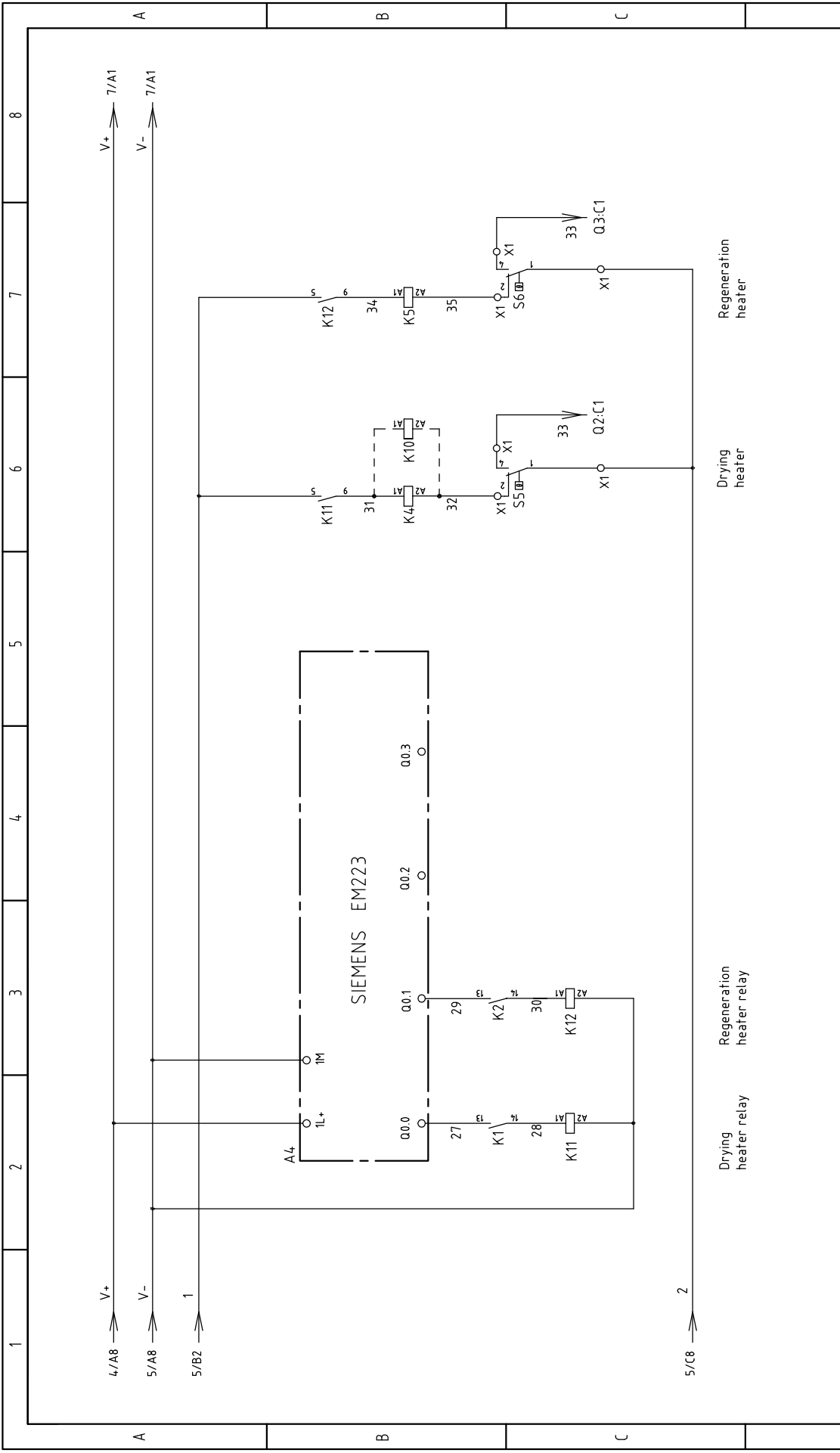


SIEMENS CPU224

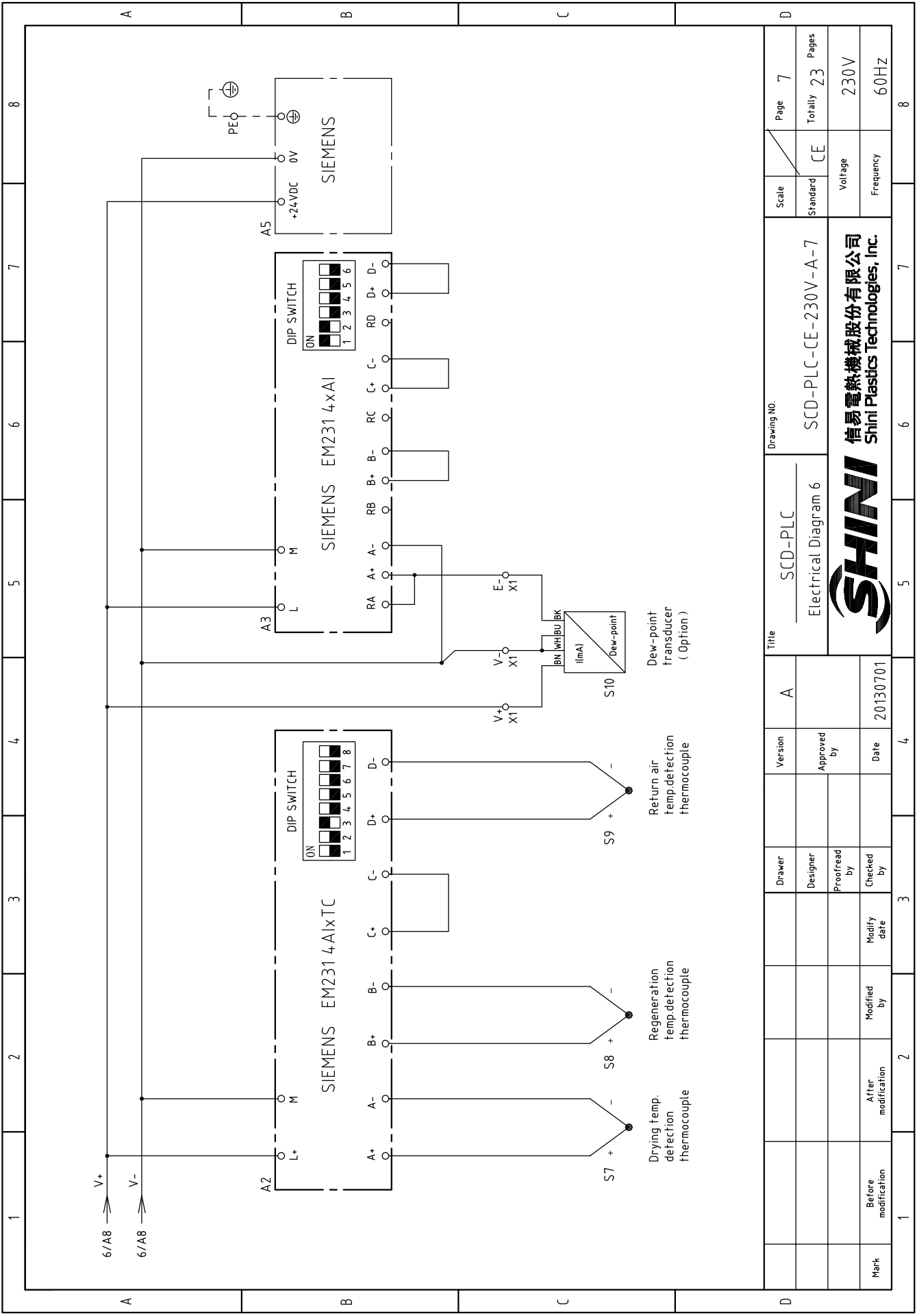
Note: only 20U(40U)/40H model has two shut-off valves. Other models don't have shut-off 2; wire No.19 and 26 combine to wire No.26.

Scale		Page 5	
Standard		Totally 23	
Voltage		230V	
Frequency		50Hz	
Drawing NO.		SCD-PLC-CE-230V-E-5	
Title		SCD-PLC Electrical Diagram 4	
Version	E	Approved by	
Designer		Date	20151022
Proofread by		Modify date	
Checked by		Modified by	
Before modification		After modification	
1	2	3	4
5	6	7	8





1	2	3	4	5	6	7	8
A	B	C	D				
Title			Version		Drawing NO.		Page
SCD-PLC			A		SCD-PLC-CE-230V-A-6		6
Electrical Diagram 5			Approved by		Standard		Totally
					CE		23
SHINI			Date		Voltage		Pages
信易電熱機械股份有限公司			20130701		230V		60HZ
Shini Plastics Technologies, Inc.			Modify date		Frequency		8
Mark			Modified by		Frequency		
Before modification					60HZ		
After modification							
Modified by							
Proofread by							
Designer							
Drawer							

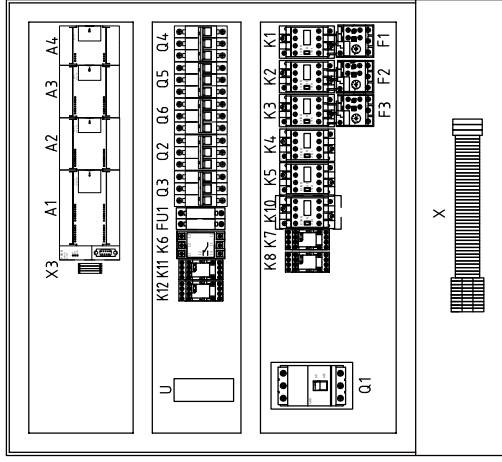


1	2	3	4	5	6	7	8
Title			Version		Drawing NO.		Page
SCD-PLC			A		SCD-PLC-CE-230V-A-7		7
Electrical Diagram 6			Approved by		Standard		Totally
					CE		23
Mark			Before modification		Voltage		230V
After modification			Modified by		Frequency		60HZ
Date			20130701				
Checked by							
Proofread by							
Designer							
Drawer							
Date							
Modify date							
Checked by							
Proofread by							
Approved by							
Version							
Title							
SCD-PLC							
Electrical Diagram 6							
Drawing NO.							
SCD-PLC-CE-230V-A-7							
Page							
7							
Totally							
23							
Voltage							
230V							
Frequency							
60HZ							

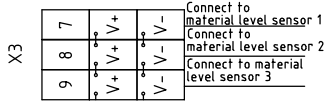
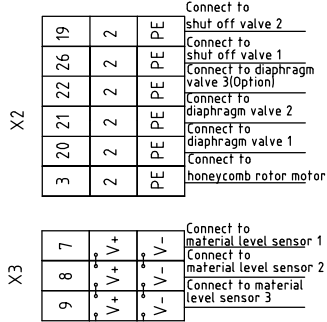
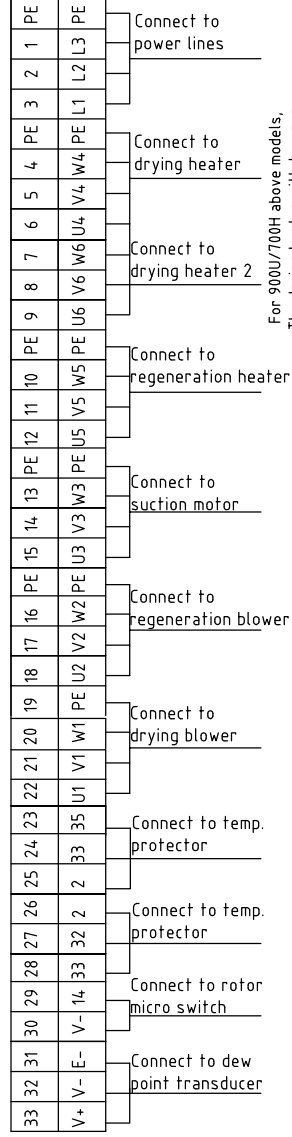
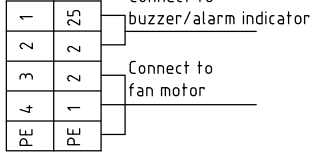
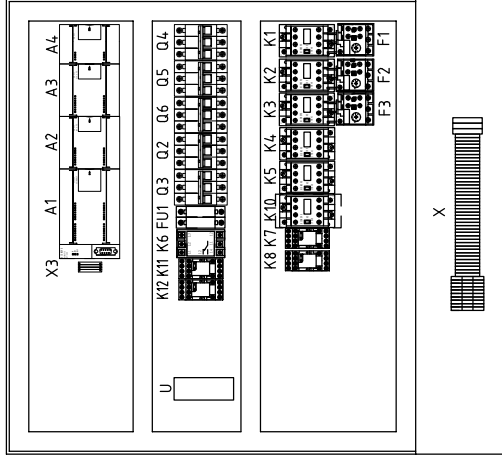




SCD-300U/200H and models above



SCD-230U/120H and models below



For 900U/700H above models.  
The drying heater with two zones

Note: only 200U(40U)/40H model has two shut-off valves, and other models have only one.

Drawing NO.		Page 8	
Standard		Totally 23 Pages	
Scale		Voltage 230V	
Title		Frequency 50HZ	
Title		SCD-PLC	
Electrical Components Layout		SCD-PLC-CE-230V-E-8	
Version		E	
Approved by		Date	
Designer		2015.10.22	
Proofread by		Date	
Checked by		2015.10.22	
Modify date		Date	
Modified by		Date	
After modification		Date	
Before modification		Date	
Mark			




信易電熱機械股份有限公司  
Shini Plastics Technologies, Inc.

1	2		3	4	5	6	7	8
NO.	Symbol	Name	Manufacturer	Type	Specification	Number	Material number	Remark
1	Q1	Main switch	ABB	A1A125TMF125	125A	1	YE4.11614.00000	
2	Q2	Circuit-breaker	CHINT	DZ4.7-63 3P	60A	1	YE4.06060000000	
3	Q3	Circuit-breaker	CHINT	DZ4.7-63 3P	25A	1	YE4.06025000000	
4		Excitation release	CHINT	MX	220V 50/60Hz	2	YE4.00235600000	
5	Q4	Circuit-breaker	CHINT	DZ4.7-60 3P	32A	1	YE4.06032000000	
6	Q5	Circuit-breaker	CHINT	DZ4.7-63 3P	10A	1	YE4.06003000000	
7	Q6	Circuit-breaker	CHINT	DZ4.7-63 3P	15A	1	YE4.06015000000	
8	K1	Contactor	SIEMENS	3RT6025-1AN21	220V 50/60Hz	1	YE00602522000	
9	K2	Contactor	SIEMENS	3RT6016-1AN21	220V 50/60Hz	1	YE00601621000	
10	K3	Contactor	SIEMENS	3RT6016-1AN21	220V 50/60Hz	1	YE00601621000	
11	K4	Contactor	SIEMENS	3RT5044-1AN20	220V 50/60Hz	1	YE00504400000	
12	K5	Contactor	SIEMENS	3RT6027-1AN20	220V 50/60Hz	1	YE00602722000	
13	K6	Phase relay	CHAOSHI	ABJ-10W	230V 50/60Hz	1	YE03102200000	
14	K7 K8	Middle relay	WEIDMULLER	DRM270730LT	220V 50/60Hz	2	YE03270700000	
15	K11 K12	Middle relay	WEIDMULLER	DRM270724LT	24V DC	2	YE03272400000	
16	F1	Thermo overload relay	SIEMENS	3RU6126-4AB0	11-16A	1	YE01260110000	
17	F2	Thermo overload relay	SIEMENS	3RU6116-1FB0	3.5-5A	1	YE01160350000	
18	F3	Thermo overload relay	SIEMENS	3RU6116-1HB0	5.5-8A	1	YE01160550000	
19	A1	PLC	SIEMENS	CPU224 AC/DC/RLY	100-230VAC 50/60Hz	1	YE810224.00100	
20	A2	PLC Expansion module	SIEMENS	EM231 4xTC	--	1	YE82023100100	
21	A3	PLC Expansion module	SIEMENS	EM231 4xAI	--	1	YE82023100000	(2)
22	A4	PLC Expansion module	SIEMENS	EM223	4-in 24VDC, 4-out 24VDC, transistor-out	1	YE82022300200	
23	A5	Human-machine interface	SCHNEIDER	GX03501	24VDC	1	YE80350100100	
24	FU1	Fuse base	CHINT	RT18-32	2P	1	YE4.10322000000	
25		Fuse	CHINT	10x38 500V	1A	2	YE4.60010001000	

Notes: (1)Means it's not the material inside the control box. (2)Stands for optional.

Title		Drawing NO.	
SCD-600U(750U)/400H		SCD-PLC-CE-230V-A-18	
Electrical Components list 1		CE	
Version		Page	
A		18	
Approved by		Totally	
Date		23	
Date		Pages	
20130701		60HZ	



**信易电热机械股份有限公司**  
Shini Plastics Technologies, Inc.

NO.	Symbol	Name	Manufacturer	Type	Specification	Number	Material number	Remark
26	U	DC power	MEAN WELL	NES-35-24	OUT=DC24V 1.5A	1	YE71352400100	
27	S1	Reed switch	FOTEK	FC-12V	24VDC	1	-----	(1)
28	S2 S3	Photoelectric switch	FOTEK	T18-3MINB-PE	24VDC	2	YE15143900000	(1)
29	S4	Micro switch	TEND	LXW5-11G1	250V 5(4)A	1	YE14152400000	(1)
30	S5	Temperature protector	-----	-----	250V 5(4)A	1	-----	(1)
31	S6	Temperature protector	-----	-----	250V 5(4)A	1	-----	(1)
32	S7 S8 S9	Thermocouple	SHINI	ST-K	K	3	-----	(1)
33	S10	Dew-point transducer	CS	CS 217-OEM	POWER=24VDC OUT=4-20mA	1	YE90021700100	(2)
34	Y1-Y5	Solenoid valve	--	MSFW-230-50/60	220V 50/60Hz	5	-----	(1)
35	H1	Buzzer	HITPOINT	PF-35A	60-250V	1	YE84003500200	(1)
36	H2	Alarm indicator	SHINI	LED-3051	220V 50/60Hz	1	YE83305100200	(1)
37	X1 X3	Terminal board	--	16mm <sup>2</sup> PE	-	1	YE61163500000	
38				16mm <sup>2</sup>	57A 690V	3	YE61160000000	
39				16mm <sup>2</sup> PE	-	1	YE61163500000	
40				4mm <sup>2</sup>	41A 690V	12	YE61040000000	
41				4mm <sup>2</sup> PE	-	4	YE61043500000	
42				2.5mm <sup>2</sup>	32A 690V	15	YE61250040000	
43				2.5mm <sup>2</sup> PE	-	1	YE61253500000	
44	X2	Terminal board	-----	ZDIK 1.5	10A 250V	9	YE60001500000	
45				FBSTB 10-ZDIK RD	10A 250V	9	YE60001000200	
46				FBSTB 10-ZDIK BU	10A 250V	9	YE60001000000	
47	X4 X5 X6	Heavy duty connector	WEIN	HDC-HA-004.1	4P 10A	3	YE68041000100	(1)
48	FM	Fan	SUNON	DP-200A	230VAC 40W	1	YM60121200400	(1)
49	M1	Blower	SHINI	-----	230V 3.75kW	1	-----	(1)
50	M2	Blower	SHINI	-----	230V 0.75kW	1	-----	(1)

Notes: (1)Means it's not the material inside the control box. (2)Stands for optional.

1	2	3	4	5	6	7	8
Title			SCD-600U(750U)/400H		Drawing NO.		
Version			B		Scale		
Designer			Approved by		Standard		
Proofread by			Date		Voltage		
Checked by			20150923		Frequency		
Modified by			Modify date		CE		
After modification					Totally		
Before modification					Page		
Mark					Pages		
					230V		
					60HZ		
					8		



信易電熱機械股份有限公司  
Shini Plastics Technologies, Inc.

SCD-PLC-CE-230V-B-19

1	2	3	4	5	6	7	8	
NO.	Symbol	Name	Manufacturer	Type	Specification	Number	Material number	Remark
51	M3	Blower	SHINI	-----	230V 1.5kW	1	-----	(1)
52	M4	Motor	-----	-----	230V 0.015kW	1	-----	(1)
53	EH1	Pipe heater	SHINI	-----	400V 18kW	1	-----	(1)
54	EH2	Pipe heater	SHINI	-----	400V 7.2kW	1	-----	(1)

Notes: (1)Means it's not the material inside the control box. (2)Stand for optional.

Title SCD-600U(750U)/400H Electrical Components List 3		Drawing NO. SCD-PLC-CE-230V-A-20		Scale	Page
		Standard	CE	20	Totally 23 Pages
SHINI <b>信易電熱機械股份有限公司</b> Shini Plastics Technologies, Inc.		Version A		Voltage 230V	
Mark		Drawer	Designer	Frequency	60HZ
	Before modification	Proofread by	Approved by		
	After modification	Checked by	Date		
	Modified by	Modify date	20130701		

1	2		3	4	5	6	7	8
NO.	Symbol	Name	Manufacturer	Type	Specification	Number	Material number	Remark
1	Q1	Main switch	ABB	A2B250TMF160	160A	1	YE4.1161500000	
2	Q2	Circuit-breaker	CHINT	BM-100D 3P	80A	1	YE4.0308003000	
3	Q3	Circuit-breaker	TECO	BM-63C 3P	40A	1	YE4.0304003000	A
4		Excitation release	CHINT	MX	220V 50/60Hz	2	YE4.0023560000	
5	Q4	Circuit-breaker	TECO	BM-63C 3P	63A	1	YE4.0306303000	
6	Q5	Circuit-breaker	TECO	BM-63C 3P	10A	1	YE4.0301003000	
7	Q6	Circuit-breaker	TECO	BM-63C 3P	40A	1	YE4.0304003000	
8	K1	Contact	SIEMENS	3RT6027-1AN21	220V 50/60Hz	1	YE00602722000	
9	K2	Contact	SIEMENS	3RT6016-1AN21	220V 50/60Hz	1	YE00601521000	
10	K3	Contact	SIEMENS	3RT6018-1AN21	220V 50/60Hz	1	YE00601800000	
11	K4 K10	Contact	SIEMENS	3RT6028-1AN20	220V 50/60Hz	2	YE00602822000	B
12	K5	Contact	SIEMENS	3RT6028-1AN20	220V 50/60Hz	1	YE00602822000	
13	K6	Phase relay	CHAOSHI	ABJ-10W	230V 50/60Hz	1	YE03102200000	
14	K7 K8	Middle relay	WEIDMULLER	DRM270730LT	220V 50/60Hz	2	YE03270700000	
15	K11 K12	Middle relay	WEIDMULLER	DRM270724LT	24V DC	2	YE03272400000	
16	F1	Thermo overload relay	SIEMENS	3RU6126-4NB0	23-28A	1	YE01612620000	
17	F2	Thermo overload relay	SIEMENS	3RU6116-1HB0	5.5-8A	1	YE01160550000	
18	F3	Thermo overload relay	SIEMENS	3RU6116-4AB0	11-16A	1	YE01611640000	
19	A1	PLC	SIEMENS	CPU224 AC/DC/RLY	100-230VAC 50/60Hz	1	YE810224.00100	C
20	A2	PLC Expansion module	SIEMENS	EM231 4xTC	--	1	YE82023100100	
21	A3	PLC Expansion module	SIEMENS	EM231 4xAI	--	1	YE82023100000	(2)
22	A4	PLC Expansion module	SIEMENS	EM223	4-in 24VDC,4-out 24VDC,transistor-out	1	YE82022300200	
23	A5	Human-machine interface	SCHNEIDER	GX03501	24VDC	1	YE80350100100	
24	FU1	Fuse base	CHINT	RT18-32	2P	1	YE4.1032200000	
25		Fuse	CHINT	10x38 500V	1A	2	YE4.6001000100	

Notes: (1)Means it's not the material inside the control box. (2)Stands for optional.

D	E	F	G	H	I	J	K	L	
Mark	Before modification	Modified by	Modify date	Checked by	Proofread by	Designer	Drawer	Version	
								B	
				Title		Drawing NO.		Page	
				SCD-900U(1200U)/700H		SCD-PLC-CE-230V-B-21		21	
				Electrical Components list 1		Standard		CE	
						Voltage		230V	
						Frequency		50HZ	
				Totally		23		Pages	
				SHINI		信易電熱機械股份有限公司		Shini Plastics Technologies, Inc.	
				5		6		8	

1	2	3	4	5	6	7	8	
NO.	Symbol	Name	Manufacturer	Type	Specification	Number	Material number	Remark
26	U	DC power	MEAN WELL	NES-35-24	OUT=DC24V 1.5A	1	YE71352400100	
27	S1	Reed switch	FOTEK	FC-12V	24VDC	1	-----	(1)
28	S2 S3	Photoelectric switch	FOTEK	T18-3MNB-PE	24VDC	2	YE15143900000	(1)
29	S4	Micro switch	TEND	LXW5-11G1	250V 5(4)A	1	YE14152400000	(1)
30	S5	Temperature protector	-----	-----	250V 5(4)A	1	-----	(1)
31	S6	Temperature protector	-----	-----	250V 5(4)A	1	-----	(1)
32	S7 S8 S9	Thermocouple	SHINI	ST-K	K	3	-----	(1)
33	S10	Dew-point transducer	CS	CS 217-OEM	POWER=24VDC OUT=4-20mA	1	YE90021700100	(2)
34	Y1-Y5	Solenoid valve	--	MSFW-230-50/60	220V 50/60Hz	5	-----	(1)
35	H1	Buzzer	HITPOINT	PF-35A	60-250V	1	YE84003500200	(1)
36	H2	Alarm indicator	SHINI	LED-3051	220V 50/60Hz	1	YE83305100200	(1)
37	X1 X3	Terminal board	--	35mm <sup>2</sup> PE	-	1	YE61353500000	
38				6mm <sup>2</sup>	-	9	YE61060000000	
39				6mm <sup>2</sup> PE	-	2	YE61063500000	
40				4mm <sup>2</sup>	41A 690V	9	YE61040000000	
41				4mm <sup>2</sup> PE	-	3	YE61043500000	
42				2.5mm <sup>2</sup>	32A 690V	15	YE61250040000	
43				2.5mm <sup>2</sup> PE	-	1	YE61253500000	
44	X2	Terminal board	-----	ZDIK 1.5	10A 250V	9	YE60001500000	
45				FBSTB 10-ZDIK RD	10A 250V	9	YE60001000200	
46				FBSTB 10-ZDIK BU	10A 250V	9	YE60001000000	
47	X4 X5 X6	Heavy duty connector	WEIN	HDC-HA-004.1	4P 10A	3	YE68041000100	(1)
48	FM	Fan	SUNON	DP-200A	230VAC 40W	1	YM60121200400	(1)
49	M1	Blower	SHINI	-----	230V 7.5kW	1	-----	(1)
50	M2	Blower	SHINI	-----	230V 1.5kW	1	-----	(1)

Notes: (1)Means it's not the material inside the control box. (2)Stands for optional.

D	Drawing NO.		Title		Scale		Page
	SCD-900U(1200U)/700H		Electrical Components List 2		Standard		22
SCD-PLC-CE-230V-B-22				CE		Totally 23 Pages	
Mark		Before modification	Modified by	Modify date	Voltage		230V
		After modification	Modified by	Modify date	Frequency		50HZ
		Designer	Approved by	SHINI		Shini Plastics Technologies, Inc.	
		Proofread by	Date	信易电热机械股份有限公司			
		Checked by		Shini Plastics Technologies, Inc.			
				SHINI			
1	2	3	4	5	6	7	8

