

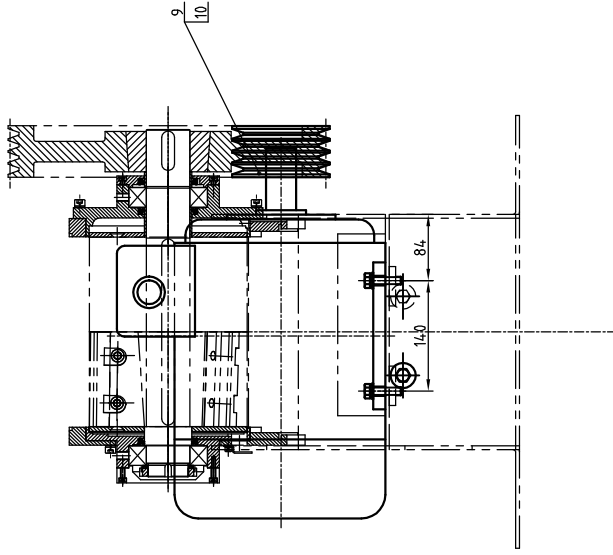
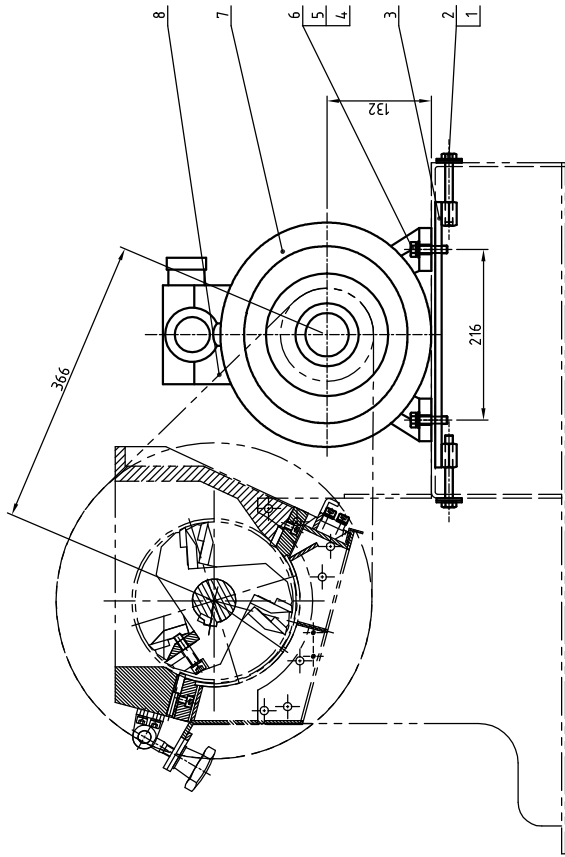
15	YW61102500000	Inner hexagon cylinder head screw M10x25
14	YW61081600000	Inner hexagon cylindrical screw M8x16
13	-	Shield components
12	-	Feed box assembly
11	YW61083500000	Hexagon socket head cap screw M8x35
10	-	Cutting chamber assembly
9	-	Main transmission device
8	-	Rack assembly
7	YW66061300000	Flat gasket 6
6	YW61061600200	Inner hexagon cylindrical screw M6x16
5	YW64000800700	Hexagon nut M8 Anti-loosening
4	YW66081900000	Flat gasket 8x19x2.0 Longzine
3	YW65008000700	Spring washer 8
2	YW61082500700	Hexagon socket head cap screw M8x25
1	YW03000300900	Side brake castor 3"

27	YW04010100000	Oil nozzle M10x1
26	BH12000301010	Copper trumpet nut 3"
25	BH10360100010	Oil pipe nut
24	BH10361100010	3/8 Copper pipe ext. connector
23	BH12361000010	3/8 Copper pipe inner connector
22	BH12361000010	Oil filling pipe
21	YW03000300500	Fixed castors 3"
20	YW61103400000	Gross recessed pan head screw M4x10
19	YW02003000400	Spring buckle adjustable
18	-	Collective storage box assembly
17	YW66102500000	Flat gasket 10x25x1.5 Longzine
16	YW65010000000	Spring washer 10

No.	Material number	Name
Drawing NO. SG-2324F		
Assembly		
Drawer	Version	Title
Designer	Approved By	
Produce by	Date	
Checked by		
Mark	Before modification	After modification
	Modified by	Modify date



Properties	Num.
Material	
Surface requirement	
Material number	

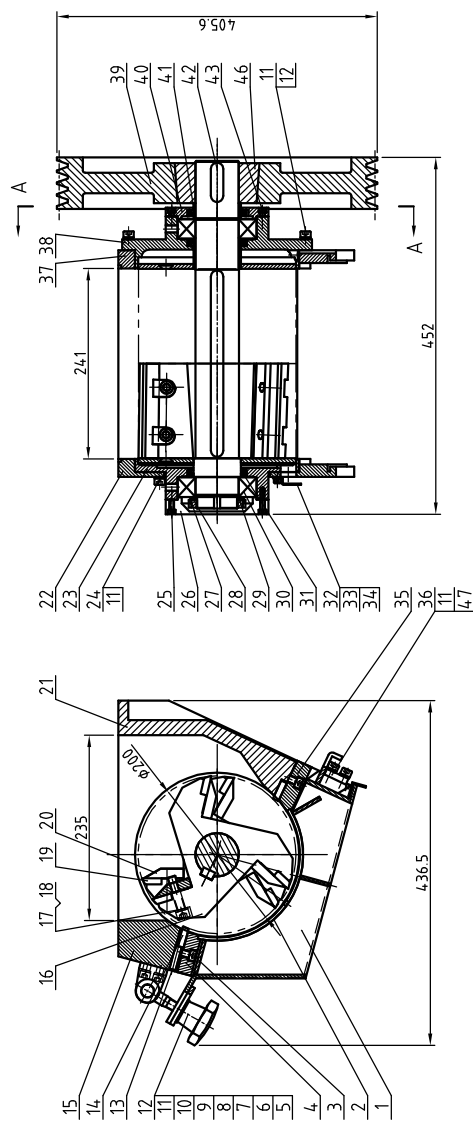


10	BW30023005420	Small taper sleeve SG-23-2012-38 HT250 (assembly)
9	BW30002305320	Small pulley SG-23/30-SPA118-04-2012 HT250 (assembly)
8	YR00160000100	Triangle belt (XPA-1600LP)
7	YM10205500400	Motor: W20 5.5KW-13ZS-4P B3T IE3 230/400/460V
6	YW65010000000	Standard spring washer GB/T193 10-Longzine
5	YW66102500000	Flat gasket 10x25x1.5 longzine
4	YW60104000100	Hexagon screw bolt GB/T5783 M10×40-8.8-Longzine
3	BL21162300020	Motor adjusting plate
2	YW66103200000	Large washer A grade GB/T96 10(10.5x30x2.5)-Longzine
1	YW60108000000	Hexagon screw bolt GB/T5783 M10×80-8.8-Longzine

No.		Material number		Name	
Title		Drawing No.		Properties	
SG-2324E		Main Transmission device		Surface requirement	
Version		Approved By		Material	
Drawer		Designer		Material	
Produce by		Checked by		Material	
Modify date		Checked by		Material	
After modification		Modified by		Material	
Before modification		Modify date		Material	
Mark		After modification		Material	
				Material	

信易電熱機械股份有限公司  
Shini Plastics Technologies, Inc.

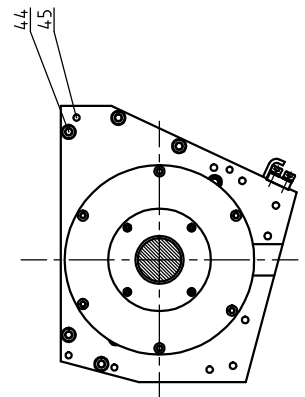




A - A

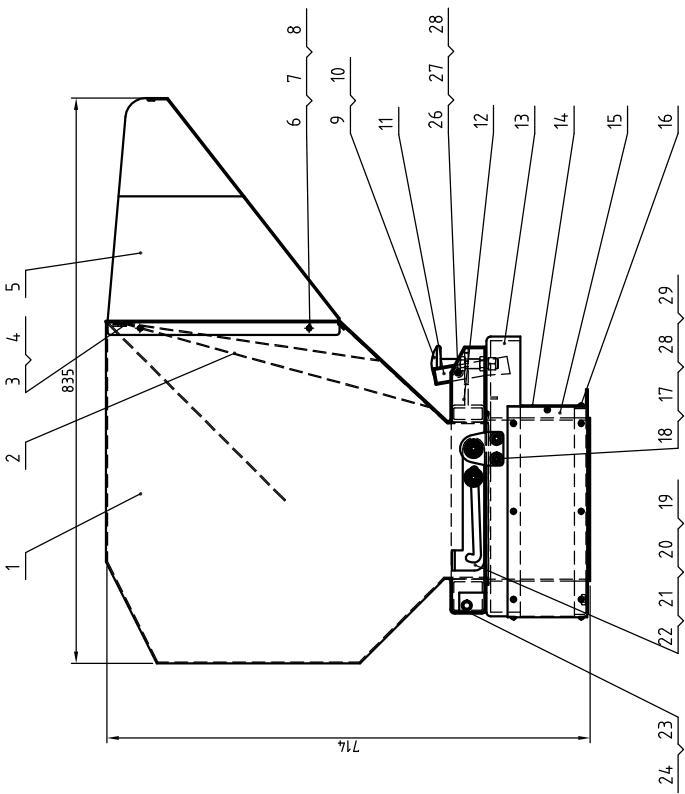
25	YW61052500000	Inner hexagon cylinder head screw GB/T70.1 M5x25-12.9-longzine
24	YW61081600000	Inner hexagon cylinder head screw GB/T70.1 M8x16-12.9-longzine
23	BH10232600010	Left bearing base
22	BH10232500010	Left end plate
21	BH11232480010	Rear box block
20	BH10125000010	Moving blade pressing plate
19	YW42023001000	Moving blade
18	YW65100000000	Standard spring washer GB/T93.10-longzine
17	YW61104.000200	Inner hexagon cylinder head screw GB/T70.1 M6x4.0-12.9-longzine
16	-	Blade rest shaft
15	BH11232450010	Front box block
14	YW42232400100	Fixed plate
13	YW68083000000	Inner hexagon flat-end set screw GB/T 77 M8x30-longzine
12	YW61082500100	Standard spring washer GB/T93.8-longzine
11	YW65008000100	Large washer A grade GB/T96.12(13x37x3)-longzine
10	YW66122200100	External Circlips GB/T 894.1 16-A2-70(SUS)
9	YW69001600000	Axle pin
8	YW093014.00000	Plum screw
7	YW09003010500	Hinge seat
6	BL54300003920	Star nut M12
5	YW09001200500	Front pressing block
4	BW30324.00110	Inner hexagon cylinder head screw GB/T70.1 M8x30-12.9-longzine
3	YW61083000000	Screen
2	BL54232400820	Screen frame assembly
1	-	Screen frame assembly

47	YW61082001200	Inner hexagon cylinder head screw GB/T70.1 M8x20-12.9-longzine for automation
46	BW30023005320	Large pulley SG-23-3020-55 HT250 (Assembly)
45	YW69083500000	Elastic round pin GB/T 8791.8x35
44	YW61103500000	Inner hexagon cylinder head screw GB/T70.1 M10x35-12.9-longzine
43	YW61050600300	Inner hexagon cylinder head screw GB/T70.1 M5x6-12.9-longzine
42	BH10231500010	Flat key 16x10x50
41	BH102314.00010	Shaft sleeve 2
40	BH10232300010	Right bearing base cover plate
39	BW30002305220	Large cone sleeve SG-23/30-SPA400-04-3020 HT250(Assembly)
38	BH10231200010	Right bearing base
37	BH10231100010	Right end plate
36	BL54232402520	Screen frame
35	BW30232400410	Rear pressing block
34	YW61050800000	Inner hexagon cylinder head screw GB/T70.1 M5x8-12.9-longzine
33	YW65050000000	Standard spring washer GB/T93.5
32	BL54230002420	Anti-dust cover
31	YR80756000000	Oil seal 75x60x8
30	YW11222100600	Self-aligning roller bearing 22211C
29	YW09521600000	Round nut stop washer 52
28	YW65215000000	Small round nut GB/T1810 M52x15
27	BL54230003120	Bearing gasket
26	BH10232700010	Left bearing base cover



Mark	Before modification	After modification	Modified by	Modify date	Checked by	Date
Design						
Drawer						
Version						
Title		SG-2324F		Drawing NO.		
Cutting chamber assembly		Material				
Surface requirement		Num.				
Material		Material				

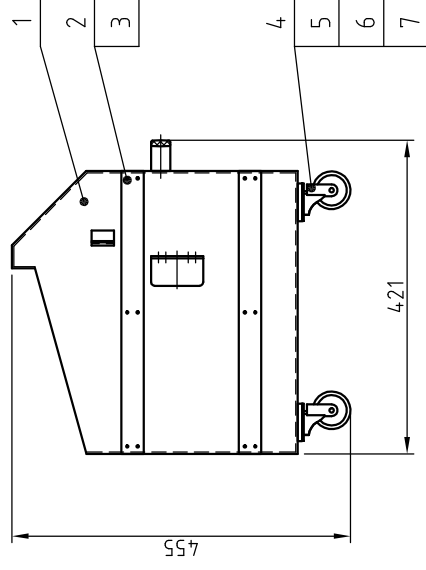
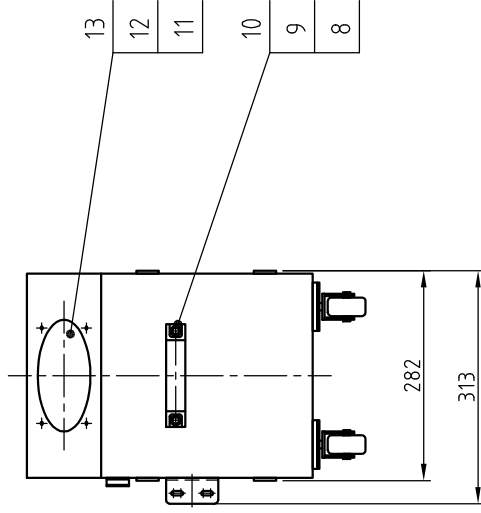
**SHINI**  
 信易电热机械股份有限公司  
 Shini Plastics Technologies, Inc.




29	YW65008000100	Standard spring washer GB/T93 8-longzine	14	-	Cutting case cover plate 1
28	YW66081900000	Flat gasket A GB/T97.1 6(8x19x2)-longzine	13	-	Cutting case
27	YW64080600000	Hexagon nut GB/T6170 M8-longzine	12	-	Square pipe frame
26	YW61082000200	Inner hexagon cylinder head screw GB/T70.1 M8x20-12.9-longzine or aution	11	-	Hook
25	YR90000600400	Black rubber sealing strip (dia. 6mm)	10	BH1300200010	Feed box star assembly
24	YW68005500000	Inner hexagon flat-end set screw GB/T77 M5x5-longzine	9	YW66123200100	Large washer A grade GB/T16.12(13x37x3)-longzine
23	BH10300800040	Feed box spindle	8	YW64000600200	Non-metal insert hexagon nut GB/T899.1 M6
22	YW64001000100	Hexagon nut GB/T6170 M10-longzine	7	YW66061300000	Flat gasket A GB/T97.1 6(6x12x1.6)-longzine
21	YW66102500000	Hexagon nut A GB/T97.1 10(10x25x1.5)-longzine	6	YW610616012000	Inner hexagon cylinder head screw GB/T70.1 M6x16-12.9-longzine
20	YW61025000000	Inner hexagon cylinder head screw GB/T70.1 M6x25-12.9-longzine	5	-	Feed port I
19	-	Support frame	4	YW61051000200	Cross recessed pan head screw-H type GB/T818 M5x10-longzine
18	YW61082501200	Inner hexagon cylinder head screw GB/T70.1 M8x25-12.9-longzine	3	-	Baffle plate press plate
17	-	Support frame	2	-	Baffle plate
16	YW67481900000	Cross socket head tapping screw GB/T15856.1 S7.8x19-longzine	1	-	Feed box
15	-	Cutting case cover plate	No.	Material number	Name

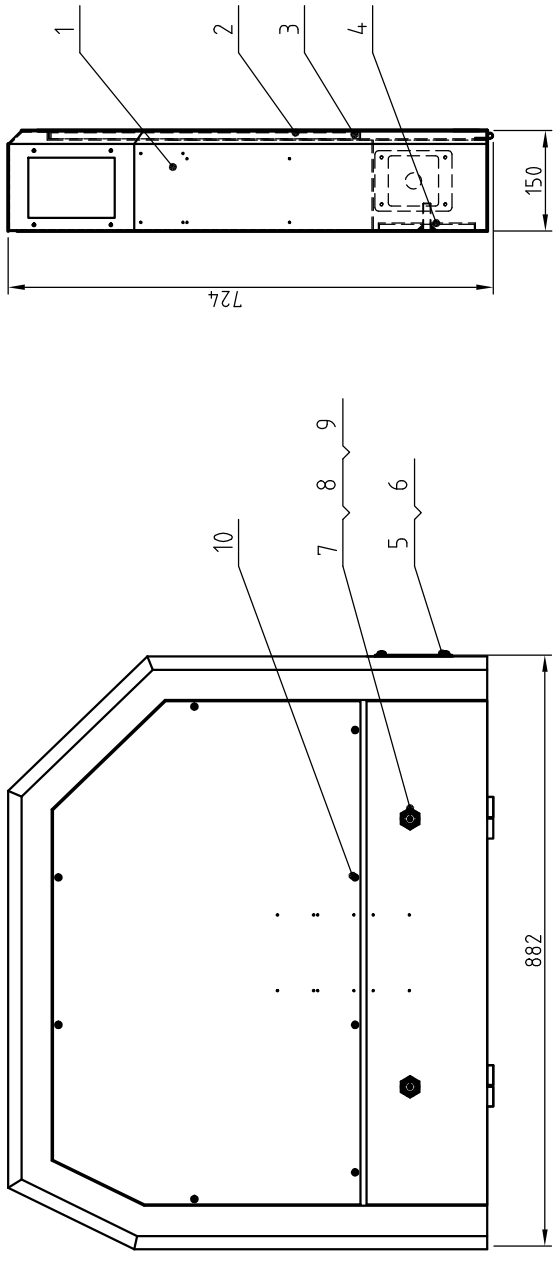
Mark	Before modification	After modification	Modified by	Modify date	Checked by	Drawer	Version	Title	SG-2324E	Drawing NO.	Properties	Num.	Material
						Designer	Approved by	Feed box assembly					
						Produce by							

**SHINI**  
 信易电热机械股份有限公司  
 Shini Plastics Technologies, Inc.



13	YW64.04.0700100	Hexagon nut M4 anti-loose	6	YW66051000000	Flat gasket 5
12	YW611034.00000	Cross recessed pan head screw M4x10	5	YW63051000000	Thick head screw M5x10
11	BR90365200010	Sight glass plate	4	YW03000200000	Flexible castor 2"
10	YW64.0008000100	Hexagon nut M8 anti-loose	3	YW6104.0600000	Flat head inner hexagon screw M4x6
9	YW61082000200	Inner hexagon cylinder head screw M8x20	2	BR90051200100	Baffle
8	BW2001200014.0	Aluminum square handle L120(M8)Black	1	-	Collective storage box
7	YW65050000000	Spring washer 5	No.	Material number	Name

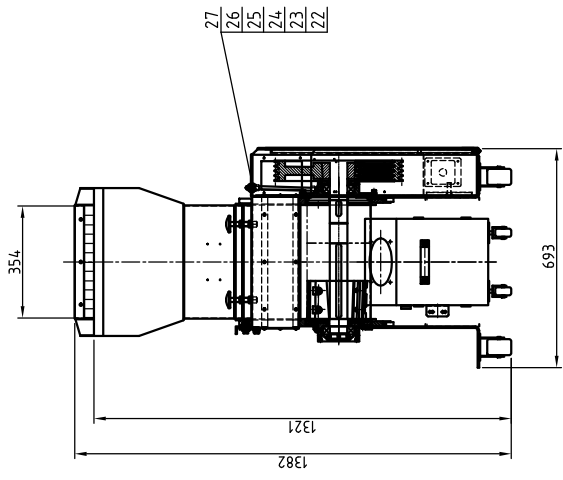
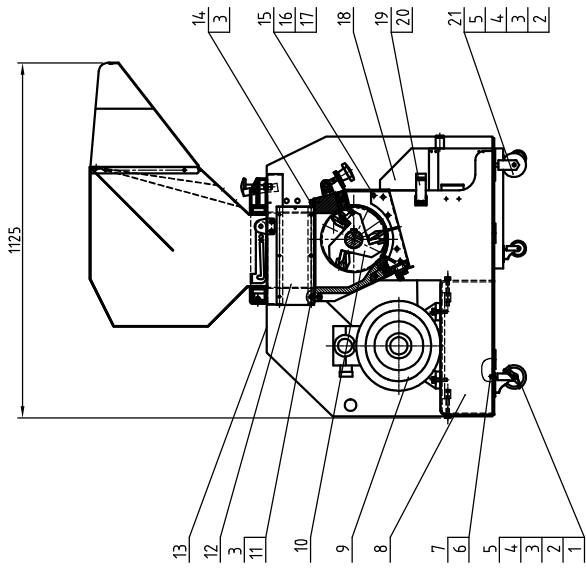
Mark	Before modification	Modified by	Modify date	Checked by	Version	Title		Drawing NO.		Proportion	Num.	Surface requirement	Material number
	After modification	Modified by	Modify date	Checked by	Version	Collective storage box assembly		SG-2324E					
 <b>SHINI</b> 信易電熱機械股份有限公司 Shini Plastics Technologies, Inc.													



10	YW62052500000	Large cross socket flat head screw M5X25
9	YW00040600200	Door lock key CF-406-H
8	YW00040600000	Door lock long fender
7	YW00000000100	Long door lock
6	YW61051000200	Cross recessed pan head screw M5X10
5	BL50135000020	Wire fixture fixed plate PG13.5
4	-	Connecting plate
3	-	Lower housing cover plate
2	-	Upper housing cover plate
1	-	Shell
No.	Material number	Name

Title		Drawing NO.	
SG-23E		Shield components	
Drawn	Version	Proofread by	Approved by
Designer		Checked by	Date
Modified by	Modify date	Material number	Surface requirement
After modification		Material number	
Before modification		Material number	
Mark		Material number	





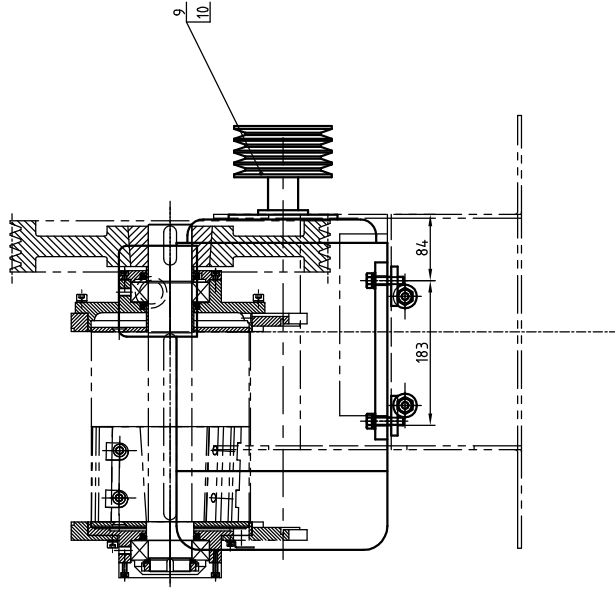
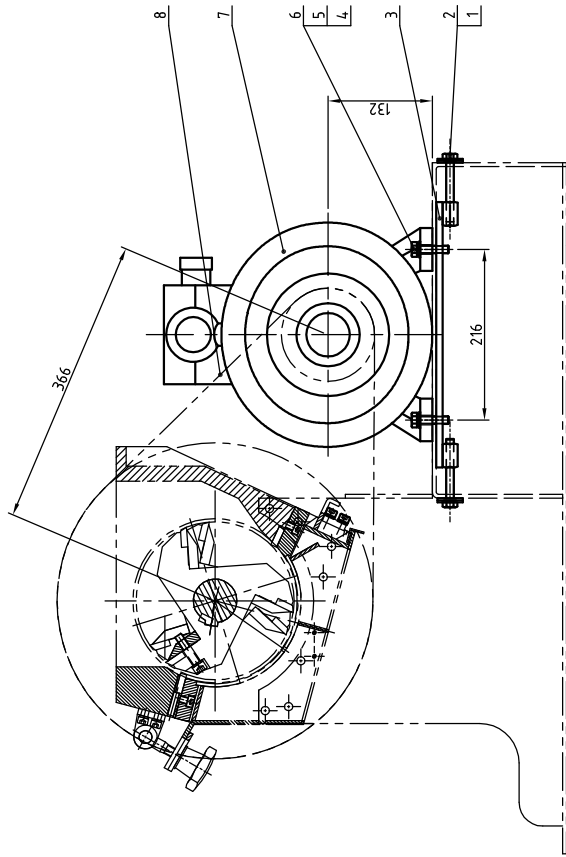
15	YW61102500000	Inner hexagon cylinder head screw M10x25
14	YW61081600000	Inner hexagon cylindrical screw M8x16
13	-	Shield components
12	-	Feed box assembly
11	YW61083500000	Hexagon socket head cap screw M8x35
10	-	Cutting chamber assembly
9	-	Main transmission device
8	-	Rack assembly
7	YW66061300000	Flat gasket 6
6	YW61061600200	Inner hexagon cylindrical screw M6X16
5	YW64000800700	Hexagon nut M8 -Anti-loosening
4	YW66081900000	Flat gasket 8x19x2.0 Longzine
3	YW65008000700	Spring washer 8
2	YW61082500100	Hexagon socket head cap screw M8x25
1	YW03000300900	Side brake castor 3"

27	YW04010100000	Oil nozzle M10x1
26	BH12000301010	Copper trumpet nut 3"
25	BH10360100010	Oil pipe nut
24	BH10361100010	3/8 Copper pipe ext. connector
23	BH12361000010	3/8 Copper pipe inner connector
22	BH12361000010	Oil filling pipe
21	YW03000300500	Fixed castors 3"
20	YW61103400000	Cross recessed pan head screw M4x10
19	YW02003000400	Spring buckle adjustable
18	-	Collective storage box assembly
17	YW66102500000	Flat gasket 10x25x1.5 Longzine
16	YW65010000000	Spring washer 10

No.	Material number	Name
Title SG-2336E Assembly		
Version	Designer	Version
Approved by	Postface by	Approved by
Date	Checked by	Date
After modification	Modified by	Modify date
Before modification		
Mark		

**SHINI**  
 信易電熱機械股份有限公司  
 Shini Plastics Technologies, Inc.

Properties	Num.
Material	Material
Surface requirement	Surface requirement
Material number	Material number



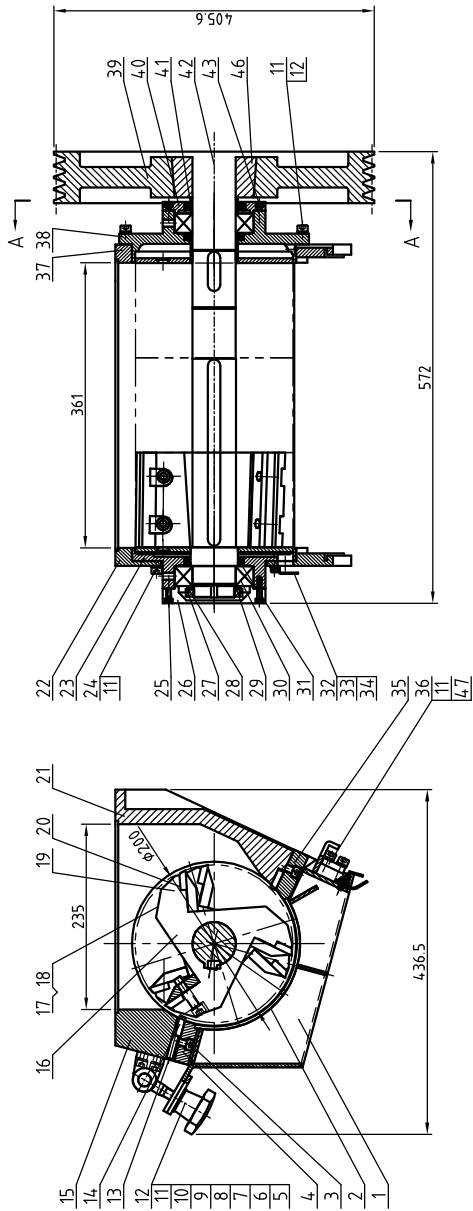
10	BW30023005420	Small taper sleeve SG-23-2012-38 HT250 (assembly)
9	BW30002305320	Small pulley SG-23/30-SPA18-04-2012 HT250 (assembly)
8	YR00160000100	Triangle belt (XPA-1600LP)
7	YM10207500400	Motor: W20 5.5KW-132S-4P B3T IE3 230/400/460V
6	YW65010000000	Standard spring washer GB/T93 10-longzine
5	YW66025000000	Flat gasket 10x25x1.5 longzine
4	YW60104000100	Hexagon screw bolt GB/T5783 M10×4.0-8.8-longzine
3	BL21162300020	Motor adjusting plate
2	YW66103200000	Large washer: A grade GB/T96 10(10.5x30x2.5)-longzine
1	YW60108000000	Hexagon screw bolt GB/T5783 M10×8.0-8.8-longzine

No. Material number Name

Title		Drawing No.		Properties		Num.	
SG-2336E		Main transmission device		Surface requirement		Material	
Mark		Before modification		After modification		Material number	
Drawn		Version		Checked by		Date	
Designed		Approved by		Checked by		Date	
Produce by		Modify date		Checked by		Date	
After modification		Modified by		Checked by		Date	

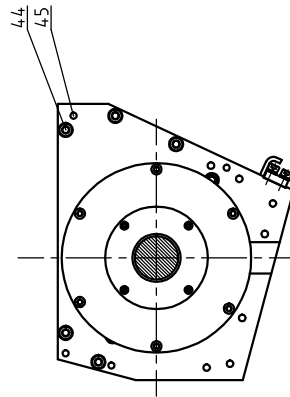
**SHINI**  
 信易电热机械股份有限公司  
 Shini Plastics Technologies, Inc.





A - A

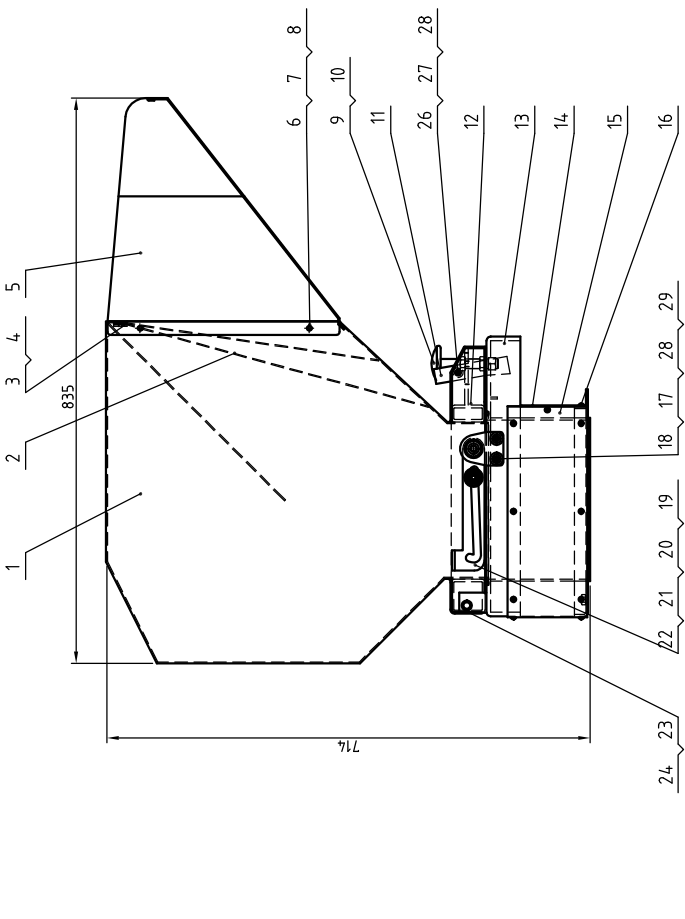
25	YW610525000000	Inner hexagon cylinder head screw GB/T70.1M6x25-12.9-longzine
24	YW610816000000	Inner hexagon cylinder head screw GB/T70.1M8x16-12.9-longzine
23	BH102326000010	Left bearing base
22	BH102325000010	Left end plate
21	BH102365000010	Rear box block
20	BH102500000010	Moving blade pressing plate
19	YW420230000000	Moving blade
18	YW651000000000	Standard spring washer GB/T93 10-longzine
17	YW61104.000200	Inner hexagon cylinder head screw GB/T70.1M10x4.0-12.9-longzine
16	-	Blade rest shaft
15	BH123365000010	Front box block
14	YW422336000010	Fixed plate
13	YW680830000000	Inner hexagon flat-end set screw GB/T 71 M8x30-longzine
12	YW610825000000	Inner hexagon cylinder head screw GB/T70.1M8x25-12.9-longzine
11	YW650080000000	Standard spring washer GB/T93 8-longzine
10	YW661232000000	Large washer A grade GB/T196 12(13x37x3)-longzine
9	YW690076000000	External Circlips GB/T 894.1 16-A2-70(SUS)
8	YW093014.000000	Axle pin
7	YW090030705000	Plum screw
6	BL543000039200	Hinge seat
5	YW090012005000	Star nut M12
4	BW302336000110	Front pressing block
3	YW610830000000	Inner hexagon cylinder head screw GB/T70.1M8x30-12.9-longzine
2	BL542336000820	Screen
1	-	Screen frame assembly



No.		Material number	Name
		SG-2336E	Drawing NO.
		Cutting chamber assembly	
Drawer	Version		
Designer	Approved By		
Postbase	Checked		
After modification	Modify date		
Before modification	Modify date		

**SHINI**  
信易电热机械股份有限公司  
Shini Plastics Technologies, Inc.

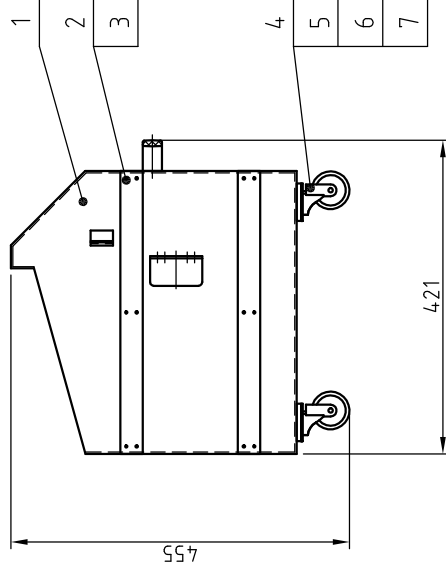
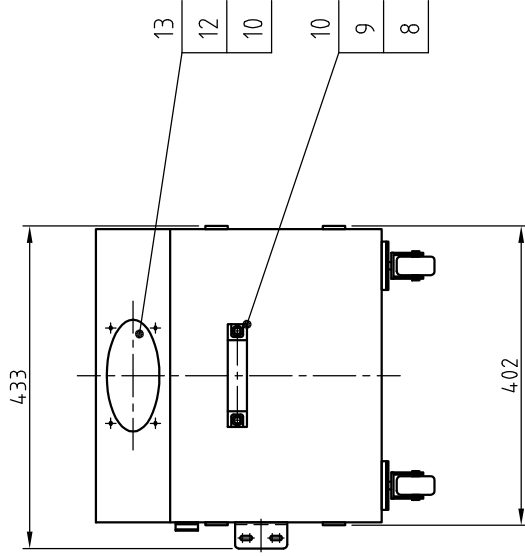
Proprietary	Num.



29	YW65008000100	Standard spring washer GB/T93 8-longzine	14	-	Cutting case cover plate 1
28	YW66081900000	Flat gasket AGB/T97.1 6(8x19x2)-longzine	13	-	Cutting case
27	YW64080600000	Hexagon nut GB/T6170 M8-longzine	12	-	Square pipe frame
26	YW61082000200	Inner hexagon cylinder head screw GB/T70.1 M8x20-12.9-longzine for automation	11	-	Hook
25	YR90000600400	Black rubber sealing strip (dia 6mm)	10	BH1300200010	Feed box star assembly
24	YW68005500000	Inner hexagon flat-end set screw GB/T71 M6x5-longzine	9	YW6612300100	Large washer A grade GB/T6 12(13x37x3)-longzine
23	BH10300800040	Feed box spindle	8	YW64000600200	Non-metal insert hexagon nut GB/T889.1 M6
22	YW64001000100	Hexagon nut GB/T6170 M10-longzine	7	YW66061300000	Flat gasket AGB/T97.1 6(6x12x1.6)-longzine
21	YW66102500000	Flat gasket AGB/T97.1 10(10x25x1.5)-longzine	6	YW61061601200	Inner hexagon cylinder head screw GB/T70.1 M6x16-12.9-longzine
20	YW61025000000	Inner hexagon cylinder head screw GB/T70.1 M8x25-12.9-longzine	5	-	Feed port 1
19	-	Support frame	4	YW61051000200	Cross recessed pan head screw-H type GB/T888 M5x10-longzine
18	YW61082501200	Inner hexagon cylinder head screw GB/T70.1 M8x25-12.9-longzine	3	-	Baffle plate press plate
17	-	Support frame	2	-	Baffle plate
16	YW67481900000	cross socket head tapping screw GB/T5856.1 S14.8x19-longzine	1	-	Feed box
15	-	Cutting case cover plate	No.	Material number	Name

Mark	Before modification	After modification	Modified by	Modify date	Checked by	Date
Designer						
Approver						
Version						
Title	SG-2336E Feed box assembly					
Material	Surface requirement					
Num.	Material number					

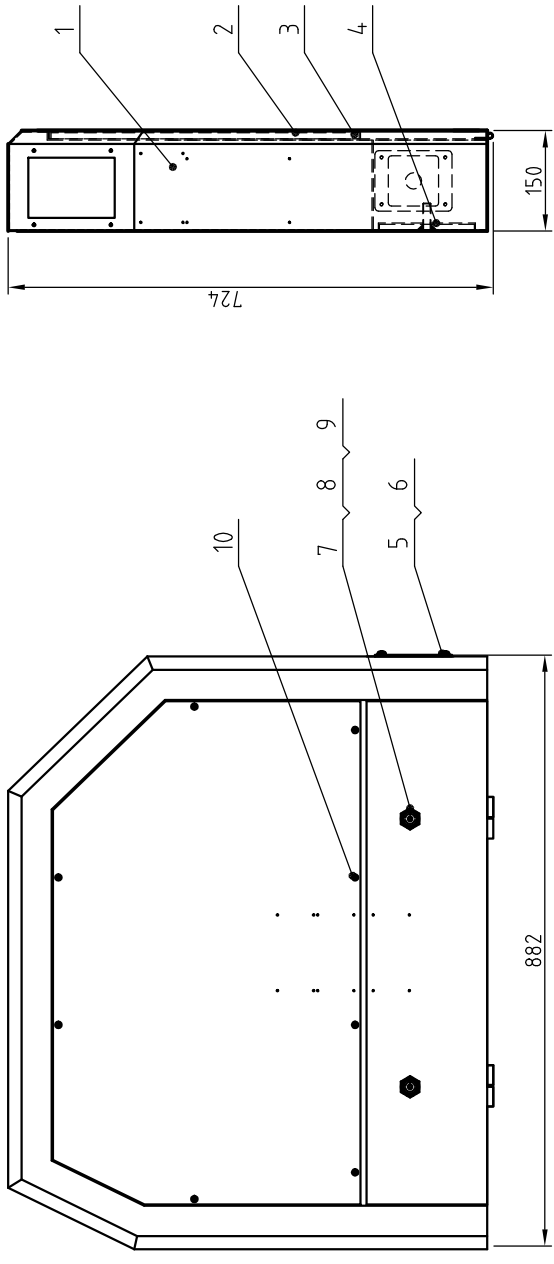
**SHINI**  
信易电热机械股份有限公司  
Shini Plastics Technologies, Inc.



13	YW64.04.0700100	Hexagon nut M4 anti-loose	6	YW66051000000	Flat gasket 5
12	YW611034.00000	Cross recessed pan head screw M4x10	5	YW63051000000	Thick head screw M5x10
11	BR90365200010	Sight glass plate	4	YW03000200000	Flexible castor 2"
10	YW64.000800100	Hexagon nut M8 anti-loose	3	YW6104.0600000	Flat head inner hexagon screw M4x6
9	YW61082000200	Inner hexagon cylinder head screw M8x20	2	BR90051200100	Baffle
8	BW2001200014.0	Aluminum square handle L.120(M8)Black	1	-	Collective storage box
7	YW65050000000	Spring washer 5	No.	Material number	Name

Mark	Before modification	After modification	Modified by	Modify date	Checked by	Approved by	Version	Title	Drawing NO.		Surface requirement	Material number
									SG-2336E	Collective storage box assembly		

**SHINI** 信易電熱機械股份有限公司  
Shini Plastics Technologies, Inc.

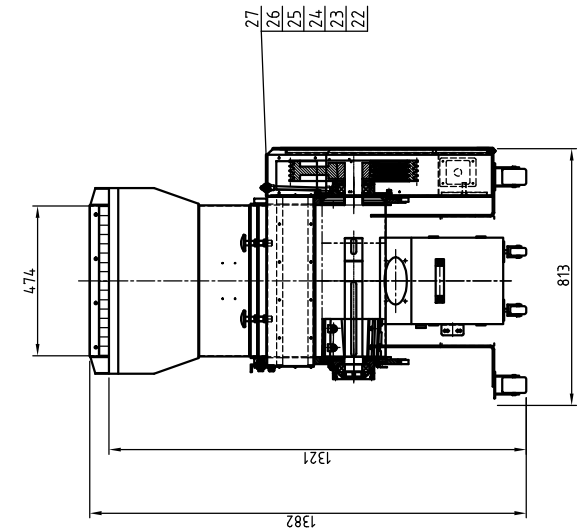
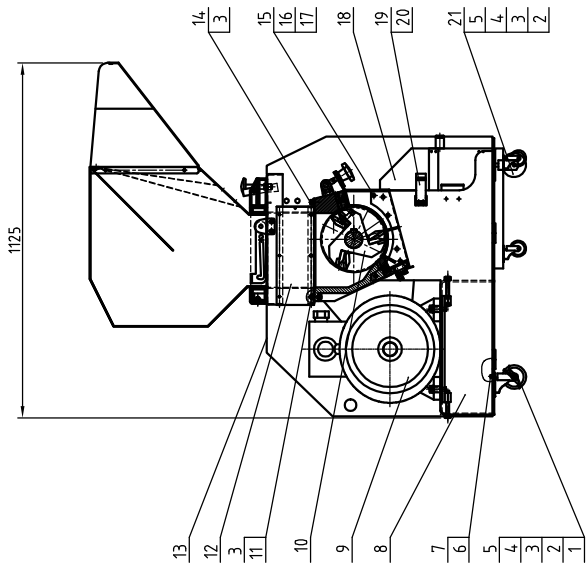


6	YW61051000200	Cross recessed pan head screw M5X10
5	BL5013500020	Wire fixture fixed plate PG13.5
4	-	Connecting plate
3	-	Lower housing cover plate
2	-	Upper housing cover plate
1	-	Shell
No.	Material number	Name

10	YW62052500000	Large cross socket flat head screw M5X25
9	YW00040600200	Door lock key CF-406-H
8	YW00040600000	Door lock long fender
7	YW00000000100	Long door lock

Title		Drawing NO.	
SG-23E		Shield components	
Drawn	Version	Approved by	Date
Designer		Proofread by	
Checked by	Modified by	Modify date	
Before modification	After modification	Material number	Surface requirement
Mark		Material	Num.

**SHINI**  
 信易電熱機械股份有限公司  
 Shini Plastics Technologies, Inc.

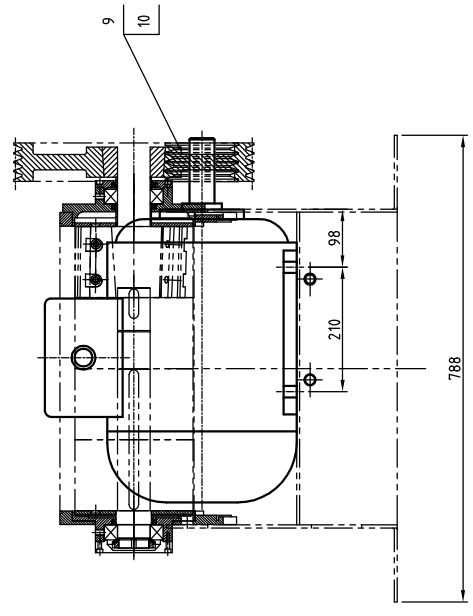
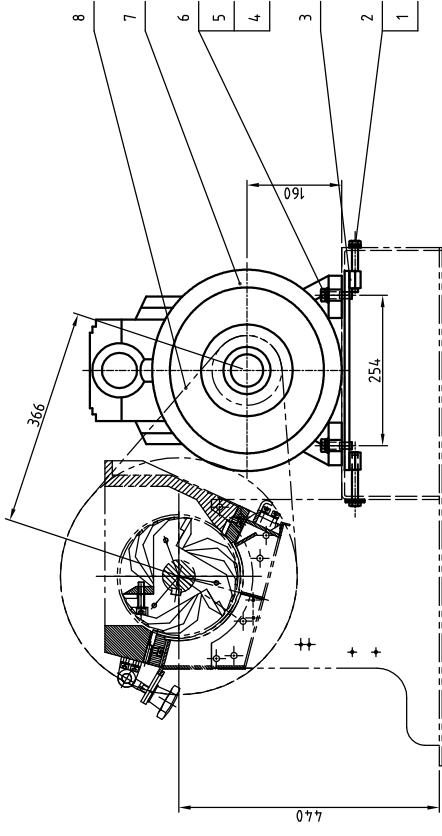


15	YW61102500000	Inner hexagon cylinder head screw M10x25
14	YW61081600000	Inner hexagon cylindrical screw M8x16
13	-	Shield components
12	-	Feed box assembly
11	YW61083500000	Hexagon socket head cap screw M8x35
10	-	Cutting chamber assembly
9	-	Main transmission device
8	-	Rack assembly
7	YW66061300000	Flat gasket 6
6	YW61061600200	Inner hexagon cylindrical screw M6X16
5	YW64000800000	Hexagon nut M8 Anti-loosening
4	YW66081900000	Flat gasket 8x19x2.0 Longzine
3	YW65008000000	Spring washer 8
2	YW61082500100	Hexagon socket head cap screw M8x25
1	YW03000300900	Side brake castor 3"

27	YW04010100000	Oil nozzle M10x1
26	BH12000301010	Copper trumpet nut 3"
25	BH10360100010	Oil pipe nut
24	BH10361100010	3/8 Copper pipe ext. connector
23	BH12361000010	3/8 Copper pipe inner connector
22	BH12303000010	Oil filling pipe
21	YW03000300500	Fixed castors 3"
20	YW61103400000	Cross recessed pan head screw M4x10
19	YW02003000400	Spring buckle adjustable
18	-	Collective storage box assembly
17	YW66102500000	Flat gasket 10x25x1.5 Longzine
16	YW65010000000	Spring washer 10

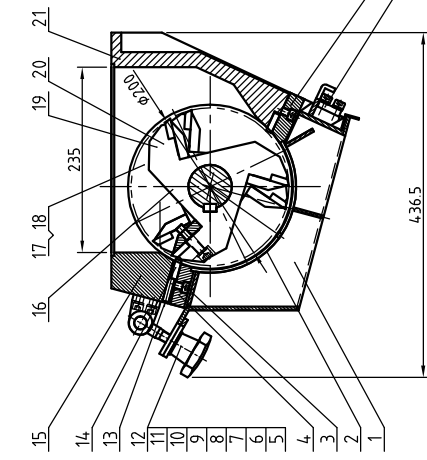
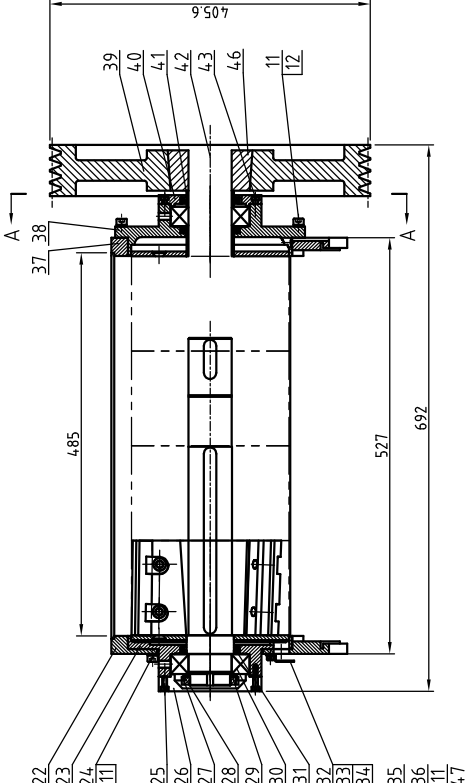
No.	Material number	Name
Drawing NO. SG-2348E		
Assembly		
Title	Version	Num.
Designer	Approved By	Material
Produce by	Checked by	Surface requirement
After modification	Modified by	Material number
Mark	Before modification	





10	BW30003005320	Small taper sleeve SG-30-2012-42 HT250 (assembly)
9	BW30002305320	Small pulley SG-23/30-SPA118-04-2012 HT250 (assembly)
8	YR00160000100	Triangle belt (XPA-1600LP)
7	YM1020100400	Motor W20 11KW-160L-4P B3T IE3 4.00/690/460V
6	YW65012000000	Standard spring washer GB/T93 12-longzine
5	YW66122400000	Flat washer A grade B/T197.112(13.5x24x2.5)-longzine
4	YW60124500000	Hexagon screw bolt GB/T5783 M10x40-8.8-longzine
3	BL54003042720	Motor adjusting plate
2	YW66103200000	Large washer A grade GB/T96.10(10.5x30x2.5)-longzine
1	YW60108000000	Hexagon screw bolt GB/T5783 M10x80-8.8-longzine

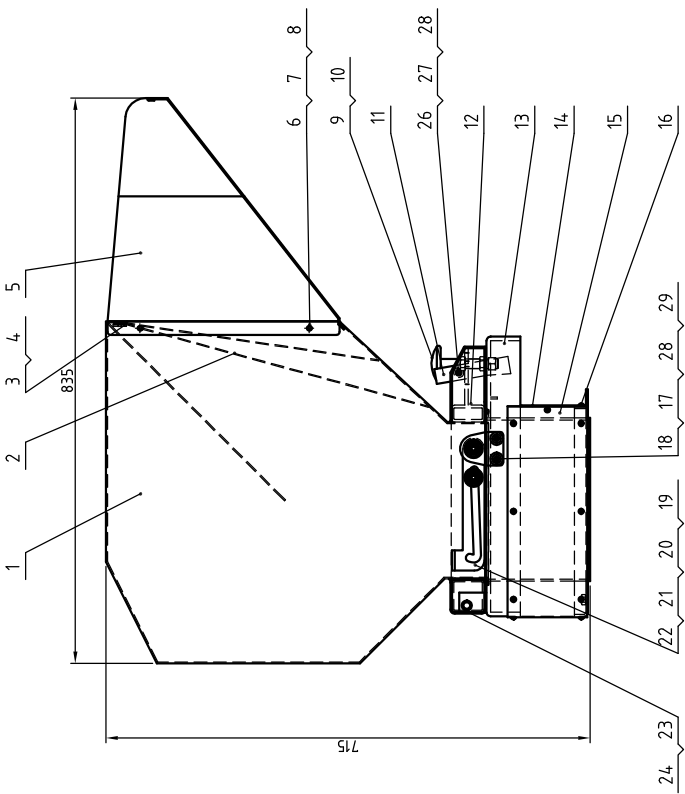
No.		Material number		Name	
SG-2348E		Drawing NO.		Title	
Main transmission device		Version		Drawer	
SHINI		Designer		Design	
信易电热机械股份有限公司		Produce by		Check	
Shini Plastics Technologies, Inc.		Approved by		Date	
Surface requirement		Material		Num.	
Material number		Checked by		Modify date	
		After modification		Modified by	
Mark		Before modification		Modify date	



A - A

4.7	YW61082001200	Inner hexagon cylinder head screw GB/T70.1 M6x8-12.9-Longzine							
4.6	BW30023005320	Large pulley SG-23-3020-55 HT250 (Assembly)							
4.5	YW69083500000	Elastic round pin GB/T 8781.8x35							
4.4	YW61035000000	Inner hexagon cylinder head screw GB/T70.1 M6x35-12.9-Longzine							
4.3	YW61050600300	Inner hexagon cylinder head screw GB/T70.1 M5x16-12.9-Longzine							
4.2	BH10231500010	Flat key 16x10x50							
4.1	BH102314.00010	Shaft sleeve 2							
4.0	BH10232300010	Right bearing base cover plate							
3.9	BW30002305220	Large cone sleeve SG-23/30-SP4400-04-3020 HT250 (Assembly)							
3.8	BH10231200010	Right bearing base							
3.7	BH10231100010	Right end plate							
3.6	BL54234845720	Screen frame							
3.5	BW302348004.10	Rear pressing block							
3.4	YW61050800000	Inner hexagon cylinder head screw GB/T70.1 M6x8-12.9-Longzine							
3.3	YW65050000000	Standard spring washer GB/T93 5							
3.2	BL542300024.20	Anti-dust cover							
3.1	YR80756000000	Oil seal 75x60x8							
3.0	YW11222100600	Self-aligning roller bearing 22211C							
2.9	BL54230003120	Bearing gasket							
2.8	YW09521600000	Round nut stop washer 52							
2.7	YW65215000000	Small round nut GB/T818 M52x1.5							
2.6	BH10232700010	Left bearing base cover							
2.5	YW61052500000	Inner hexagon cylinder head screw GB/T70.1 M5x25-12.9-Longzine							
2.4	YW61081600000	Inner hexagon cylinder head screw GB/T70.1 M8x16-12.9-Longzine							
2.3	BH10232600010	Left bearing base							
2.2	BH10232500010	Left end plate							
2.1	BH10230800010	Rear box block							
2.0	BH10125000010	Moving blade pressing plate							
1.9	YW42023001000	Moving blade							
1.8	YW65101000000	Standard spring washer GB/T93 10-Longzine							
1.7	YW61104.000200	Inner hexagon cylinder head screw GB/T70.1 M10x4.0-12.9-Longzine							
1.6	-	Blade rest shaft							
1.5	BH11234850010	Front box block							
1.4	YW42234800100	Fixed plate							
1.3	YW68083000000	Inner hexagon flange end set screw GB/T70.1 M8x30-12.9-Longzine							
1.2	YW61082500100	Inner hexagon cylinder head screw GB/T93 8-Longzine							
1.1	YW65008000100	Standard spring washer GB/T93 8-Longzine							
1.0	YW66123200010	Large washer A grade GB/T196 12(13x37x3)-Longzine							
9	YW69001600000	External Circlips GB/T 894.1 16-A2-70(SUS)							
8	YW093014.00000	Axle pin							
7	YW09003010500	Plum screw							
6	BL54300003920	Hinge seat							
5	YW09001200500	Star nut M12							
4	BW30234800110	Front pressing block							
3	YW61083000000	Inner hexagon cylinder head screw GB/T70.1 M8x30-12.9-Longzine							
2	BL54234800820	Screen							
1	-	Screen frame assembly							

Property	Num.	
	Material	
Surface requirement		
	Material	
<b>SHINI</b> 信易電熱機械股份有限公司 Shini Plastics Technologies, Inc.		
Mark	Before modification	After modification
Design	Drawer	Version
Check	Designer	Approved by
Modify date	Postdate	Date
Modify by	Checked by	
Title: SG-234.8E Drawing NO.: Cutting chamber assembly		
No. Material number Name:		

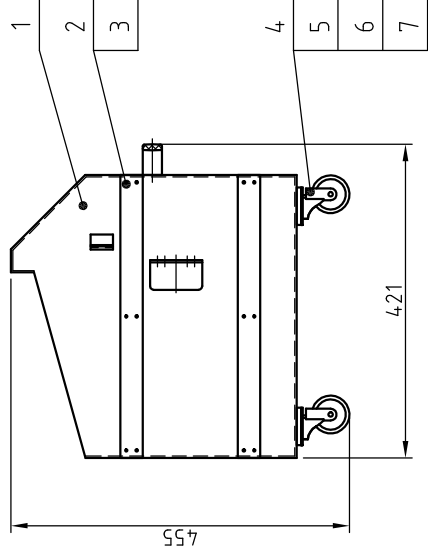
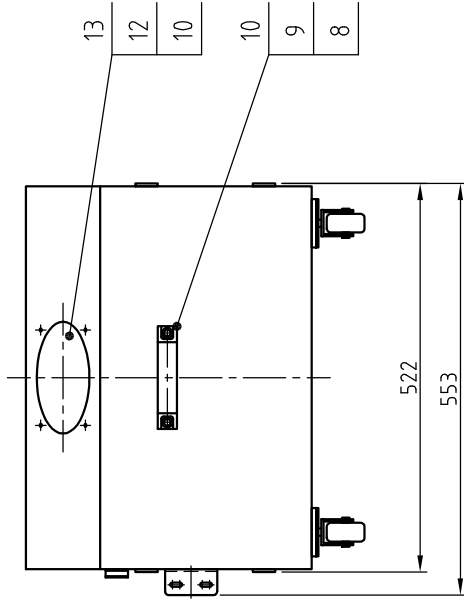


29	YW65008000100	Standard spring washer GB/T93 8-longzine	14	-	Cutting case cover plate 1
28	YW66081900000	Flat gasket A GB/T97.1 8(8x19x2)-longzine	13	-	Cutting case
27	YW64080600000	Hexagon nut GB/T6170 M8-longzine	12	-	Square pipe frame
26	YW61082000200	Inner hexagon cylinder head screw GB/T70.1 M8x20-12.9-longzine for automation	11	-	Hook
25	YR900000600400	Black rubber sealing strip (dia. 6mm)	10	BH1300200010	Feed box star assembly
24	YW68005500000	Inner hexagon flat-end set screw GB/T77 M5x5-longzine	9	YW66123200100	Large washer A grade GB/T6 12(13x37x3)-longzine
23	BH10300800040	Feed box spindle	8	YW64000600200	Non-metal insert hexagon nut GB/T889.1 M6
22	YW64001000100	Hexagon nut GB/T6170 M10-longzine	7	YW66061300000	Flat gasket A GB/T97.1 6(6.6x12x1.6)-longzine
21	YW66102500000	Flat gasket A GB/T97.1 10(10x25x1.5)-longzine	6	YW61061601200	Inner hexagon cylinder head screw GB/T70.1 M6x16-12.9-longzine
20	YW61025000000	Inner hexagon cylinder head screw GB/T70.1 M10x25-12.9-longzine	5	-	Feed port I
19	-	Support frame	4	YW61051000200	Cross recessed pan head screw-H type GB/T818 M5x10-longzine
18	YW61082501200	Inner hexagon cylinder head screw GB/T70.1 M8x25-12.9-longzine	3	-	Baffle plate press plate
17	-	Support frame	2	-	Baffle plate
16	YW67481900000	Cross socket head tapping screw GB/T5986.1 S14.8x19-longzine	1	-	Feed box
15	-	Cutting case cover plate	No.	Material number	Name

Properties	1:15	Num.	
Surface requirement		Material	
Material number			
Title SG-2348F			
Drawing NO.			
Feed box assembly			
Version		Material number	
Designer		Name	
Approved by			
Checked by			
Date			
Mark	Before modification	Modified by	Modify date





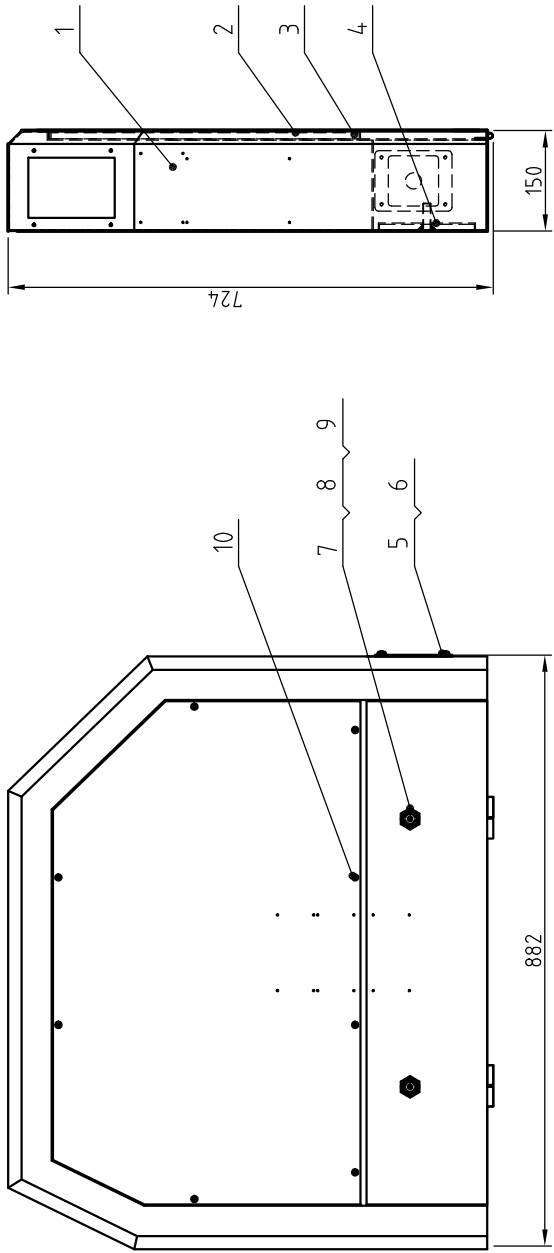


13	YW64.04.0700100	Hexagon nut M4 anti-loose	6	YW66051000000	Flat gasket 5
12	YW611034.00000	Cross recessed pan head screw M4 x 10	5	YW63051000000	Thick head screw M5 x 10
11	BR90365200010	Sight glass plate	4	YW03000200000	Flexible castor 2"
10	YW64.000800100	Hexagon nut M8 anti-loose	3	YW6104.0600000	Flat head inner hexagon screw M4 x 6
9	YW61082000200	Inner hexagon cylinder head screw M8 x 20	2	BR90051200100	Baffle
8	BW2001200014.0	Aluminum square handle L120(M8)Black	1	-	Collective storage box
7	YW65050000000	Spring washer 5	No.	Material number	Name

Mark	Before modification	After modification	Modified by	Modify date	Checked by	Version	Title		Drawing NO.	Num.	Material	Surface requirement	Material number
							Drawer	Designer					
							Approved by						
							Date						

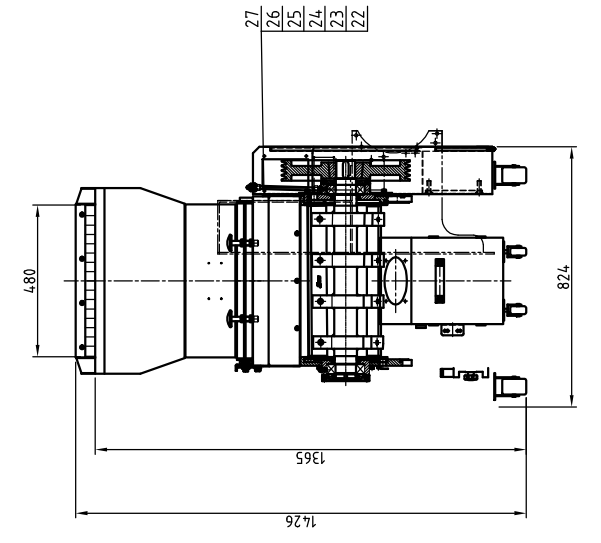
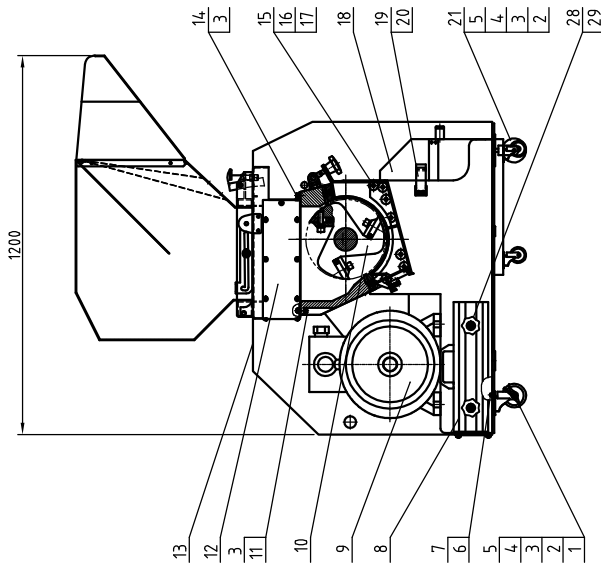


信易電熱機械股份有限公司  
Shini Plastics Technologies, Inc.



10	YW62052500000	Large cross socket flat head screw M5X25
9	YW00040600200	Door lock key CF-406-H
8	YW00040600000	Door lock long fender
7	YW00000000100	Long door lock
6	YW61051000200	Cross recessed pan head screw M5X10
5	BL50135000020	Wire fixture fixed plate PG13.5
4	-	Connecting plate
3	-	Lower housing cover plate
2	-	Upper housing cover plate
1	-	Shell

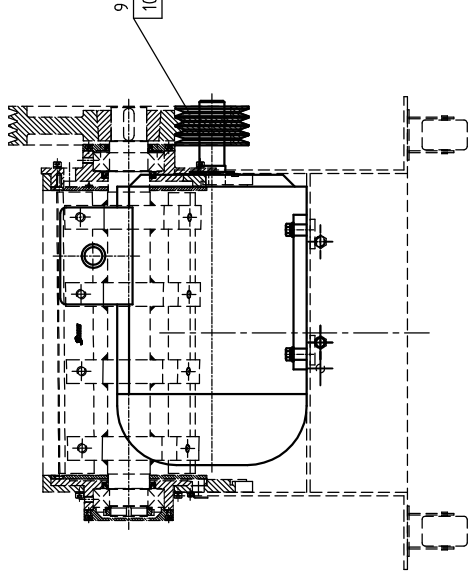
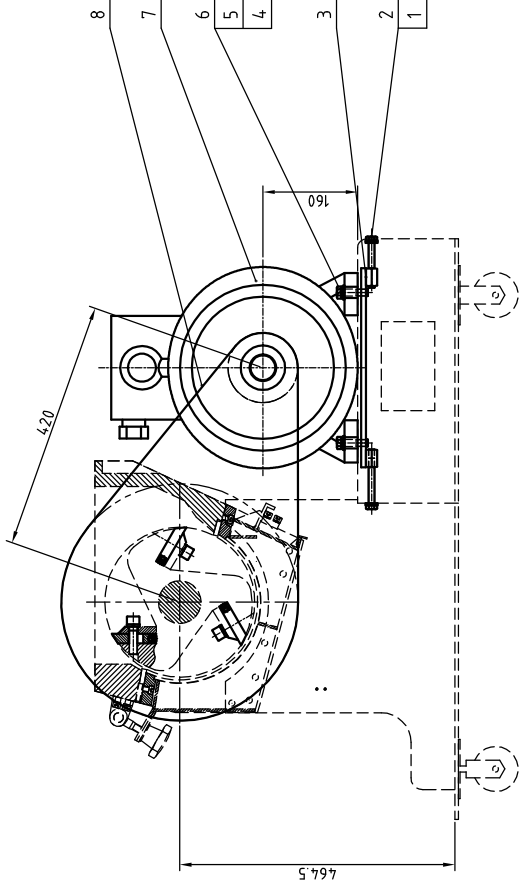
Mark	Before modification	Modified by	Modify date	Checked by	Version	Title SG-23E Shield components		Drawing NO.		Proportion	Num.
	After modification	Modified by	Modify date	Checked by	Approved by	Surface requirement		Material		Surface requirement	Material number
<b>SHINI</b> 信易電熱機械股份有限公司 Shini Plastics Technologies, Inc.											



29	YR4.0083500000	Five star handle type B M8 X35	14	YW610816000000	Inner hexagon cylinder screw GB/T70.1 M8x20-12.9-longzine
28	BH11304802210	Presenting knife jig	13	-	Shield components
27	YW04.0101000000	Oil nozzle M10x1	12	-	Feed box assembly
26	BH12000301010	Copper trumpet nut 3"	11	YW610835000000	Inner hexagon cylinder head screw GB/T70.1 M8x35-12.9-longzine
25	BH103601000010	Oil pipe nut	10	-	Cutting chamber assembly
24	BH103611000010	3/8 Copper pipe ext. connector	9	-	Main transmission device
23	BH123610000010	3/8 Copper pipe inner connector	8	-	Rack assembly
22	-	Oil pipe	7	YW660613000000	Flat gasket A GB/T97.1 6(6.6x12x1.6)-longzine
21	YW03000300500	Fixed castors 3"	6	YW610616012000	Inner hexagon cylinder head screw GB/T70.1 M6x16-12.9-longzine
20	YW630406000000	Cross recessed pan head screw GB/T-82 M4x10-A2-70(SUS)	5	YW64.0008000700	Non-metal insert hexagon nut GB/T889.1 M8
19	YW020030004000	Spring buckle adjustable	4	YW660819000000	Flat washer A grade GB/T97.1 8-longzine
18	-	Collective storage box assembly	3	YW650080001000	Standard spring washer GB/T93 8-longzine
17	YW666102500000	Flat washer A grade GB/T97.1 10(11x20x2)-longzine	2	YW610825017200	Inner hexagon cylinder head screw GB/T70.1 M8x25-12.9-longzine
16	YW650100000000	Standard spring washer GB/T93 10-longzine	1	YW030003009000	Side brake castor 3"
15	YW611030001000	Hexagon socket head cap screw GB/T70.1 M10x30-12.9-longzine	No.	Material number	Name

Drawn	Version	Title	SG-304.8E	Material
Designed	Approved by	Assembly		Surface requirement
Proofread by	Checked by	Material number		Material number
After modification	Modified by	Modify date		
Before modification	Mark			

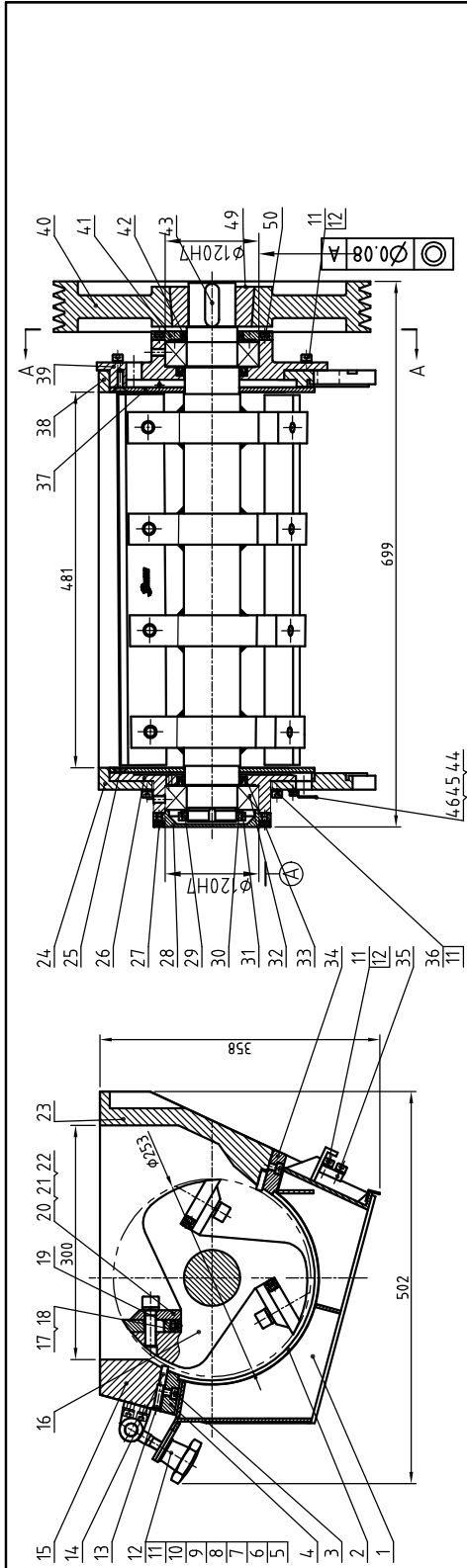




10	BW30003005320	Small taper sleeve SG-30-2012-42 HT250 (assembly)
9	BW30002305320	Small pulley SG-23/30-SPA118-04-2012 HT250 (assembly)
8	YR007004-00000	Triangle belt (XPA-1700LP)
7	YM1020T100400	Motor: W20 TIKW-160L-4P B3T IE3 4.00/690/460V
6	YW65012000000	Standard spring washer GB/T93.12-longzine
5	YW661224-00000	Flat washer A grade GB/T97.1 12(13.5x24x2.5)-longzine
4	YW60124500000	Hexagon screw bolt GB/T5783 M12x4.5-8.8-longzine
3	BH10306500270	Motor adjusting plate
2	YW66102000100	Flat washer A grade GB/T97.1 10(11x20x2)-longzine
1	YW60108000000	Hexagon bolt GB/T5783 M10-8.8-8.8-longzine

Name		Drawing NO.		Properties		Num.	
Title		SG-3048E		Surface requirement		Material	
Main Transmission device				Material			
Version		Designer		Checked by		Date	
Approved by		Postbase		After modification		Before modification	
Mark		Modify date		Modified by		Modify date	

**SHINI**  
 信易電熱機械股份有限公司  
 Shini Plastics Technologies, Inc.

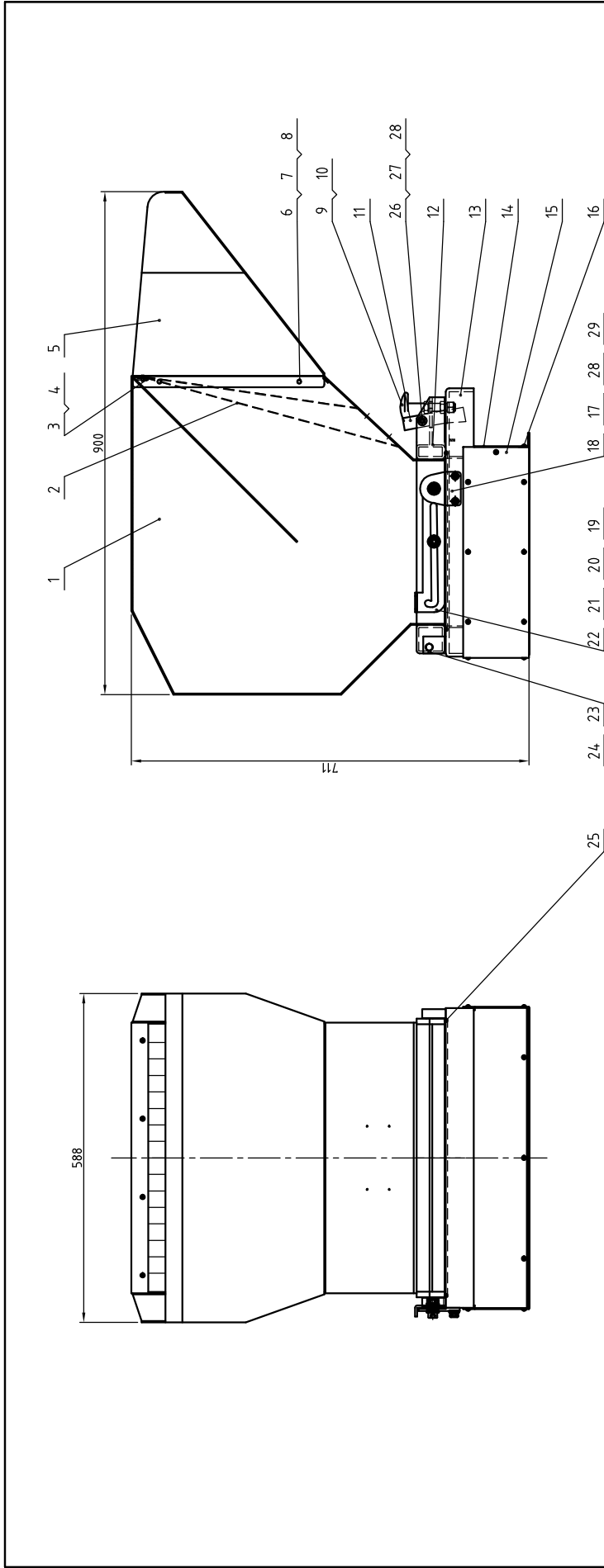


27	YW61062001200	Inner hexagon cylinder head screw GB/T70.1 M6x20-12.9-longzine
26	BW30301200010	Left bearing base
25	YW61081600010	Inner hexagon countersunk head screw GB/T70.3 M8x16-12.9-longzine
24	BH10306501110	Left end plate
23	BW30304800810	Rear box block
22	BH11304803810	Moving blade pressing plate
21	YW65014200000	Standard spring washer GB/T93 14-longzine
20	YW61714500000	Inner hexagon cylinder head screw GB/T70.1 M14x50-12.9-longzine
19	BW42304800410	Moving blade
18	YW64000600300	Hexagon nut GB/T6170 M6-longzine
17	YW60062000100	Hexagon bolt GB/T5781 M6x20-4.8-longzine
16	BW30304800610	Blade rest shaft
15	BW30304800510	Front box block
14	BW42304800410	Fixed plate
13	YW68083000000	Inner hexagon flat-end set screw GB/T 77 M6x30-longzine
12	YW61082501200	Standard spring washer GB/T93 8-longzine
11	YW65008000100	Large washer A grade GB/T96 12(13x37x3)-longzine
10	YW66122200000	External Circlips GB/T 894, 1.16-A2-70(SUS)
9	YW69001600000	Axle pin
8	YW09301400000	Plum screw
7	YW09003010500	Hinge seat
6	BL54300003920	Star nut M12
5	YW09001200500	Front pressing block
4	BW30304801310	Inner hexagon cylinder head screw GB/T70.1 M6x30-12.9-longzine
3	YW61083000000	Screen 8mm
2	BL54304806020	Screen frame assembly
1	-	-

50	YW61061601200	Inner hexagon cylinder head screw GB/T70.1 M6x16-12.9-longzine
49	BW30003005220	Large pulley SG-30-3020-60 HT250 (Assembly)
48	YW69105000000	Elastic round pin GB/T 819.1 10x50
47	YW61123500000	Inner hexagon cylinder head screw GB/T70.1 M12x35-12.9-longzine
46	YW61051000000	Inner hexagon cylinder head screw GB/T70.1 M5x10-12.9-longzine
45	YW65050000000	Standard spring washer GB/T93 5
44	BL54300002620	Anti-dust cover
43	BH10301300310	Flat key 18x11x55
42	YR80806500000	Oil seal 80x65x8
41	BH10003120210	Right bearing base cover plate
40	BW30002305220	Large cone sleeve SG-2330-SPA400-04-3020 HT250(Assembly)
39	BW3030020210	Right bearing base
38	BH1030610210	Right end plate
37	BH11300820010	Baffle plate
36	YW61082000200	Inner hexagon cylinder head screw GB/T70.1 M8x20-12.9-longzine
35	BL54304804720	Screen frame
34	BW30304800910	Rear pressing block
33	YR80971000000	Oil seal 90x70x10
32	YW11222100300	Self-aligning roller bearing 22213
31	YW09640000000	Round nut stop washer 64
30	BL54300800020	Bearing gasket
29	YW64642000000	Small round nut GB/T810 M6x4.2-4.5 steel
28	BW30301300010	Left bearing base cover

Mark	Before modification	After modification	Modified by	Modify date	Checked by	Date
Design						
Drawn						
Version						
Title		SG-3048F				
Drawing NO.		Cutting chamber assembly				
Material		Surface requirement				
Num.		Material				

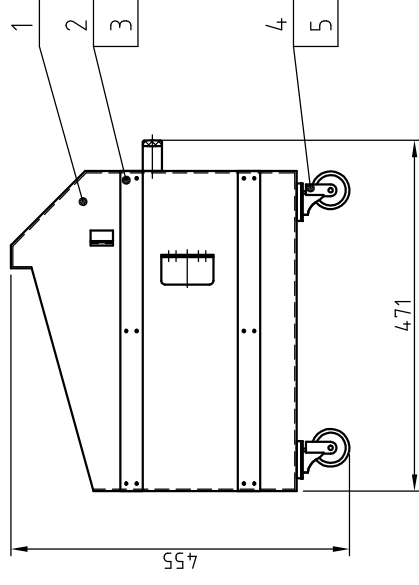
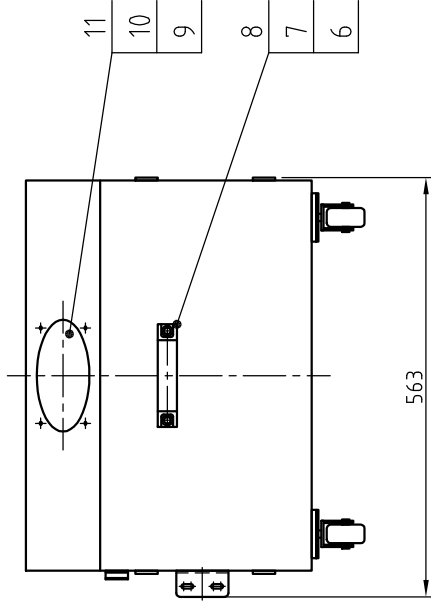
**SHINI**  
信易电热机械股份有限公司  
Shini Plastics Technologies, Inc.



29	YW65008000100	Standard spring washer GB/T93 8-longzine	14	-	Cutting case cover plate 1
28	YW64080600000	Hexagon nut GB/T6170 M8	13	BL5124.0001321	Cutting case
27	YW66081900000	Flat gasket AGB/T97.1 8(8x19x2.0)-longzine	12	-	Square pipe frame
26	YW61082000200	Inner hexagon cylinder head screw GB/T70.1 M8x20-longzine	11	-	Hook
25	YR9000006004.00	Black rubber sealing strip (dia. 6mm)	10	BH1300200010	Feed box star assembly
24	YW68005500000	Inner hexagon flat-end set screw GB/T77 M5x5-longzine	9	YW66123200100	Large washer A grade GB/T6 12(13x37x3)-longzine
23	BH1030080004.0	Feed box spindle	8	YW64.000600200	Non-metal insert hexagon nut GB/T889.1 M6
22	YW64.001000100	Hexagon nut GB/T6170 M10-longzine	7	YW66061300000	Flat gasket AGB/T97.1 6(6x12x1.6)-longzine
21	YW66102500000	Flat gasket AGB/T97.1 10(10x25x1.5)-longzine	6	YW61061601200	Inner hexagon cylinder head screw GB/T70.1 M6x16-longzine
20	YW61025000000	Inner hexagon cylinder head screw GB/T70.1 M10x25-129-longzine	5	-	Feed port 1
19	-	Support frame	4	YW61051000200	Cross recessed pan head screw-H type GB/T888 M5x10-longzine
18	YW61082501200	Inner hexagon cylinder head screw GB/T70.1 M8x25-129-longzine	3	-	Baffle plate press plate
17	-	Support frame	2	-	Baffle plate
16	YW674.819000000	Cross socket head tapping screw GB/T5986.1 S14.8x18-longzine	1	-	Feed box
15	-	Cutting case cover plate	No.	Material number	Name

Title		SG-304.8F		Drawing NO.	
Version		Feed box assembly		Properties	
Designer		Num.		Material	
Approved By		Surface requirement		Material number	
Postface		Material		Surface requirement	
Checked by		Material		Material number	
Mark		Before modification		After modification	
Modified by		Modify date		Modify date	

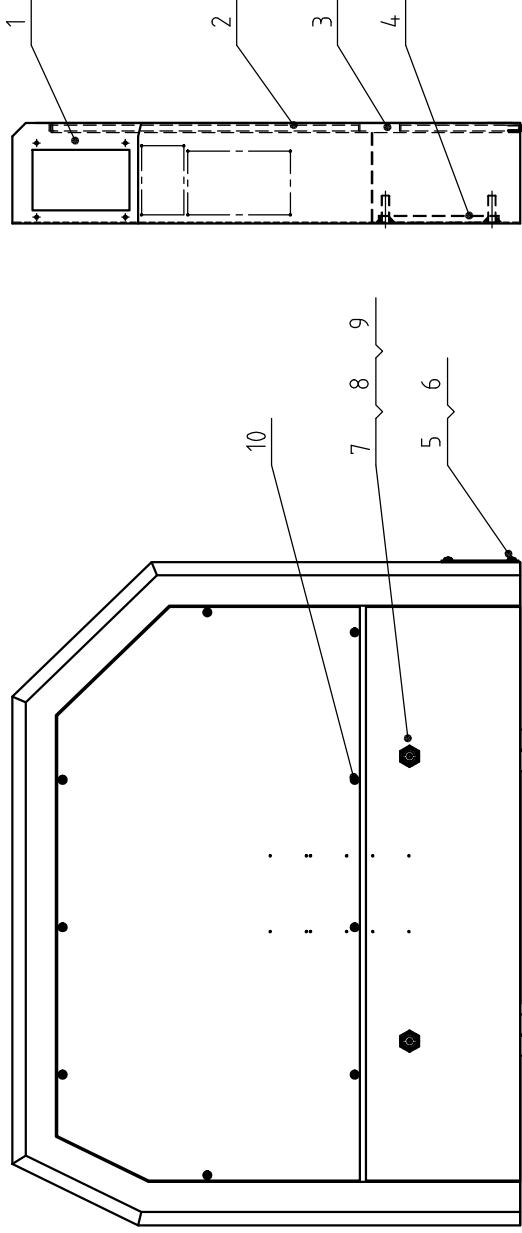




11	YW64040700100	Hexagon nut M4 anti-loose
10	YW62041000000	Cross recessed pan head screw M4x10
9	BR90365200010	Sight glass plate
8	YW64000800100	Hexagon nut M8 anti-loose
7	YW61081600000	Inner hexagon cylinder head screw M8x16
6	BW20012000140	Aluminum square handle L120(M8)Black
5	YW62050500000	Large cross socket flat head screw M5x5
4	YW03000200000	Flexible castor 2"
3	YW61040600000	Flat head inner hexagon screw M4x6
2	BR90003000310	Baffle
1	-	Collective storage box
No.	Material number	Name


Mark	Before modification	Modified by	Modify date	Checked by	Date
	After modification	Modified by	Modify date	Checked by	Date
		Designer	Version	Title	
		Proofread by	Approved by	SG-3048E	
		Drawer	Collective storage box assembly		
		Drawing NO.		Material	
		Surface requirement		Material number	
		Material number		Material number	
		Material number		Material number	

**SHINI** 信易電熱機械股份有限公司  
Shini Plastics Technologies, Inc.

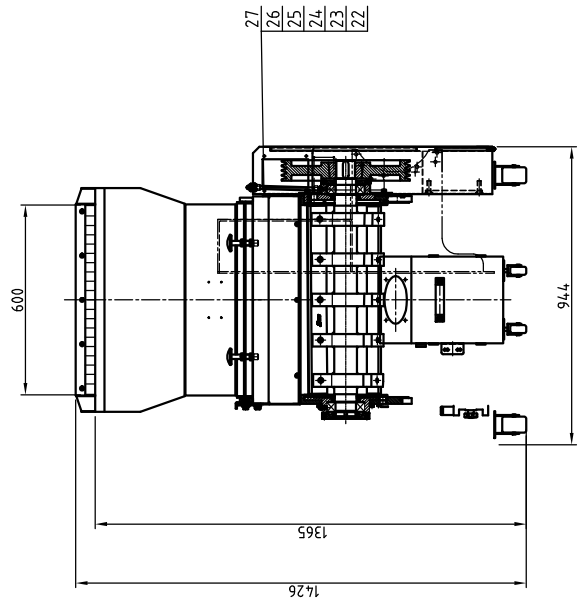
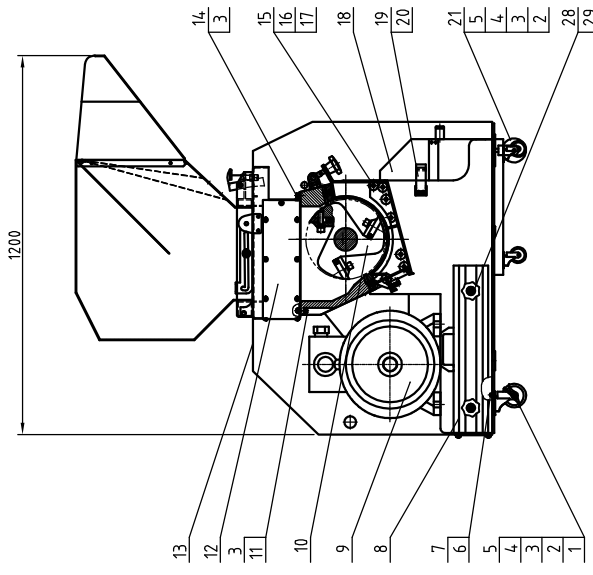


8	YW00040600000	Door lock long fender
7	YW00000000100	Long door lock
6	YW61051000200	Cross recessed pan head screw M5X10
5	BL45000502120	Wire fixture fixed plate M25
4	-	Connecting plate
3	-	Lower housing cover plate
2	-	Upper housing cover plate
1	-	Shell

10	YW62052500000	Cross recessed pan head screw M5X25
9	YW00040600200	Door lock key CF-406-H

Mark	Before modification	After modification	Modified by	Modify date	Checked by	Date	Version	Title	Drawing NO.	Material number	Name	Proportion	Num.	Material
	SG-30E	Shield components	Surface requirement	Material number										
 <b>SHINI</b> 信易電熱機械股份有限公司 Shini Plastics Technologies, Inc.														



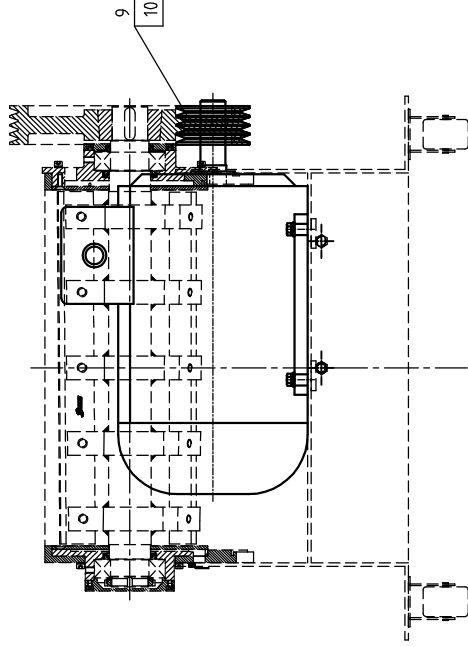
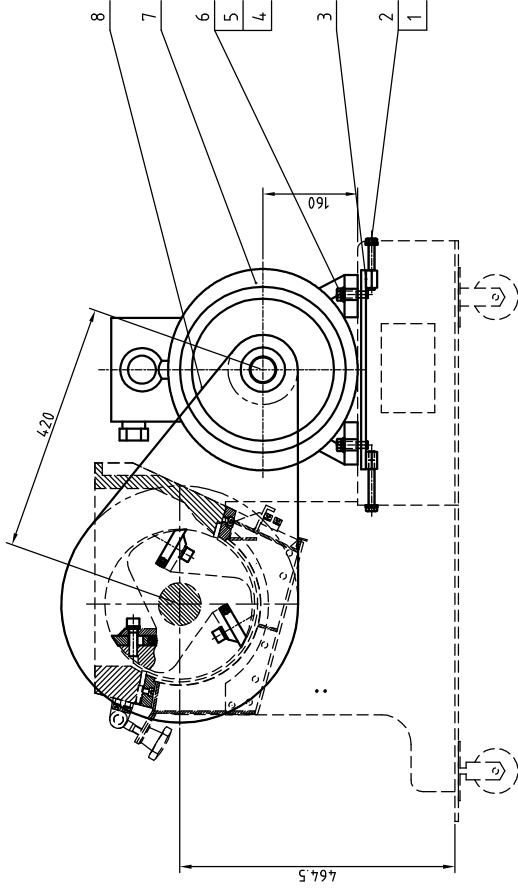


29	YR4.0083500000	Five star handle type B M8 X35	14	YW610816000000	Inner hexagon cylinder head screw GB/T70.1 M8x16-L2.9-longzine
28	BH10300100110	Presenting knife jig	13	-	Shield components
27	YW04.0101000000	Oil nozzle M10x1	12	-	Feed box assembly
26	BH12000301010	Copper trumpet nut 3"	11	YW610835000000	Inner hexagon cylinder head screw GB/T70.1 M8x35-L2.9-longzine
25	BH10360100010	Oil pipe nut	10	-	Cutting chamber assembly
24	BH10361100010	3/8 Copper pipe ext. connector	9	-	Main transmission device
23	BH12361000010	3/8 Copper pipe inner connector	8	-	Rack assembly
22	-	Oil pipe	7	YW660613000000	Flat gasket A GB/T97.1 616.6x12x1.6-longzine
21	YW03000300500	Fixed castors 3"	6	YW610616012000	Inner hexagon cylinder head screw GB/T70.1 M6x16-L2.9-longzine
20	YW630406000000	Gross recessed pan head screw GB/T-818 M4x6-longzine	5	YW64.0008000700	Non-metal insert hexagon nut GB/T889.1 M8
19	YW02003000400	Spring buckle adjustable	4	YW660819000000	Flat washer A grade GB/T97.1 8-longzine
18	-	Collective storage box assembly	3	YW650080007000	Standard spring washer GB/T93 8-longzine
17	YW666102500000	Flat washer A grade GB/T97.1 1010x25x1.5-longzine	2	YW610825017200	Inner hexagon cylinder head screw GB/T70.1 M8x25-L2.9-longzine
16	YW650100000000	Standard spring washer GB/T93 10-longzine	1	YW030003009000	Side brake castor 3"
15	YW611030001000	Inner hexagon cylinder head screw GB/T70.1 M10x30-L2.9-longzine	No.	Material number	Name

Drawn	Version	Title	SG-3060E	Drawing NO.	
Designed	Approved by	Assembly			
Proofread by	Date				
Checked by	Modify date				
Mark	Before modification	After modification	Modified by	Modify date	

**SHINI**  
信易电热机械股份有限公司  
Shini Plastics Technologies, Inc.

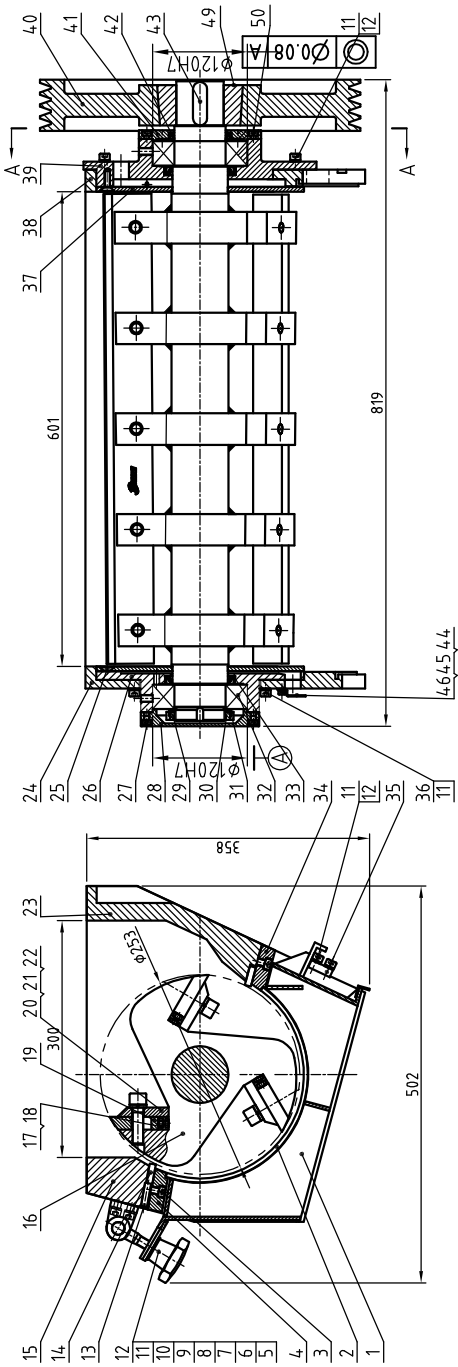
Properties	Num.
Material	
Surface requirement	
Material number	



10	BW30003005320	Small taper sleeve SG-30-2012-42 HT250 (assembly)
9	BW30002305320	Small pulley SG-23/30-SPA118-04-2012 HT250 (assembly)
8	YR007004-0000	Triangle belt (XPA-1700LP)
7	YM10201500400	Motor W20 15KW-160L-4P B3T IE3 4.00/690/460V
6	YW65012000000	Standard spring washer GB/T93.12-longzine
5	YW661224-00000	Flat washer A grade GB/T197.1/2135x24x2.5-longzine
4	YW60124500000	Hexagon screw bolt GB/T5783 M12x4.5-8-8-longzine
3	BH103065002710	Motor adjusting plate
2	YW66102000100	Flat washer A grade GB/T197.1/10(11x20x2)-longzine
1	YW60108000000	Hexagon bolt GB/T5783 M10x80-8.8-longzine
No.	Material number	Name

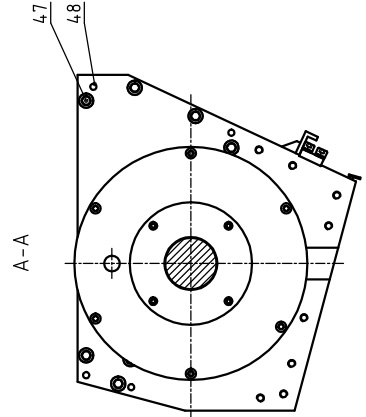
Title		Drawing No.		Properties		1:15		Num.	
SG-3060E		Main Transmission device		Surface requirement		Material		Material number	
Version		Approved By		Date		Date		Date	
Drawer		Designer		Postface		Checked by		Checked by	
Mark		After modification		Modified by		Modify date		Modify date	
Before modification		After modification		Modified by		Modify date		Modify date	

**SHINI**  
 信易電熱機械股份有限公司  
 Shini Plastics Technologies, Inc.



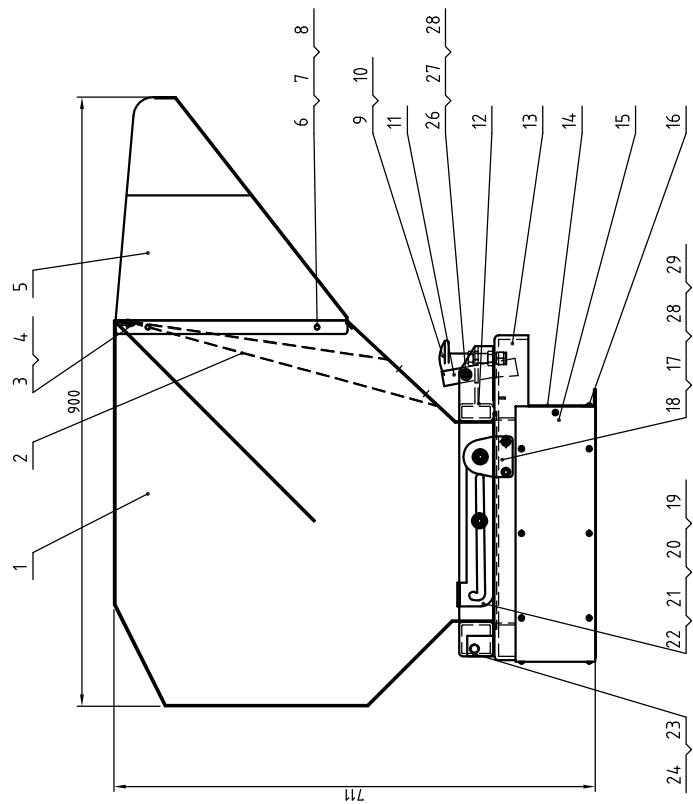
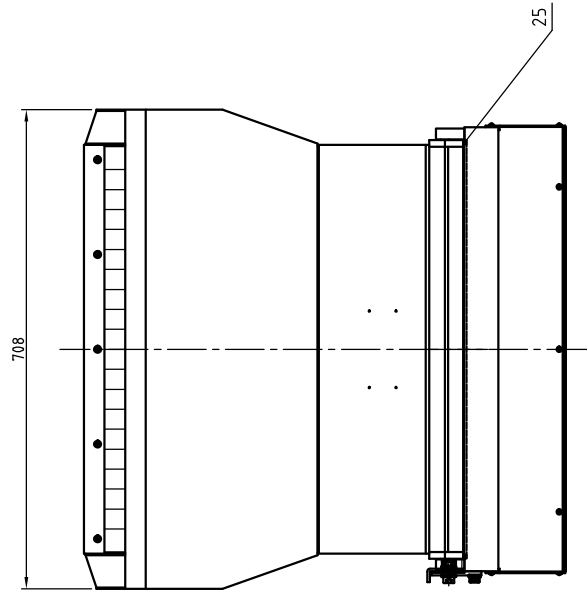
27	YW61062001200	Inner hexagon cylinder head screw GB/T70.1 M6x20-12.9-longzine
26	BW3030200010	Left bearing base
25	YW61081600100	Inner hexagon countersunk head screw GB/T70.3 M8x16-12.9-longzine
24	BH10306501110	Left end plate
23	BW30306800310	Rear box block
22	BH10306000910	Moving blade pressing plate
21	YW65014200000	Standard spring washer GB/T93.14-longzine
20	YW61745000000	Inner hexagon cylinder head screw GB/T70.1 M6x50-12.9-longzine
19	BW42306000710	Moving blade
18	YW640006000300	Hexagon nut GB/T6170 M6-longzine
17	YW60062000100	Hexagon bolt GB/T5781 M6x20-4.8-longzine
16	BH13060006110	Blade rest shaft
15	BW30306500010	Front box block
14	YW42325800000	Fixed plate
13	YW68083000000	Inner hexagon flat-end set screw GB/T 71 M8x30-longzine
12	YW61082501200	Inner hexagon cylinder head screw GB/T70.1 M8x25-12.9-longzine
11	YW65008000100	Standard spring washer GB/T93.8-longzine
10	YW66612320000	Large washer A grade GB/T96.12(13x37x3)-longzine
9	YW69007600000	External Circlips GB/T 894.1 16-A2-70(SUS)
8	YW09301400000	Axle pin
7	YW09003070500	Plum screw
6	BL54300003920	Hinge seat
5	YW09004200500	Star nut M12
4	BW30306101310	Front pressing block
3	YW61083000000	Inner hexagon cylinder head screw GB/T70.1 M8x30-12.9-longzine
2	BL54306006020	Screen 8mm
1	-	Screen frame assembly

50	YW61061601200	Inner hexagon cylinder head screw GB/T70.1 M6x16-12.9-longzine
49	BW30003005220	Large pulley SG-30-3020-60 HT250 (Assembly)
48	YW69105000000	Elastic round pin GB/T 819.1 10x50
47	YW61123500000	Inner hexagon cylinder head screw GB/T70.1 M12x35-12.9-longzine
46	YW61051000000	Inner hexagon cylinder head screw GB/T70.1 M6x10-12.9-longzine
45	YW65050000000	Standard spring washer GB/T93.5
44	BL54300002620	Anti-dust cover
43	BH10301300310	Flat key 18x11x55
42	YR80806500000	Oil seal 80x65x8
41	BH10003720210	Right bearing base cover plate
40	BW30002305220	Large cone sleeves SG-23/30-SPA400-04-3020 HT250 (Assembly)
39	BW3030020210	Right bearing base
38	BH1030610210	Right end plate
37	BH1300820010	Baffle plate
36	YW61082000200	Inner hexagon cylinder head screw GB/T70.1 M8x20-12.9-longzine
35	BL54306004720	Screen frame
34	BW30306901310	Rear pressing block
33	YR80971000000	Oil seal 90x70x10
32	YW11222100300	Self-aligning roller bearing 22213
31	YW09640000000	Round nut s/rop washer 64
30	BL54300800020	Bearing gasket
29	YW64642000000	Small round nut GB/T810 M6.4x2-4.8 steel
28	BW30301300010	Left bearing base cover



Title		SG-3060E		Drawing NO.	
Cutter chamber assembly					
Drawn	Version	Material number	Name		
Designed	Approved By	No.	Surface requirement		
Processed	By	Material	Material number		
Checked	Date				
Modified by	Modify date				
After modification					
Before modification					
Mark					

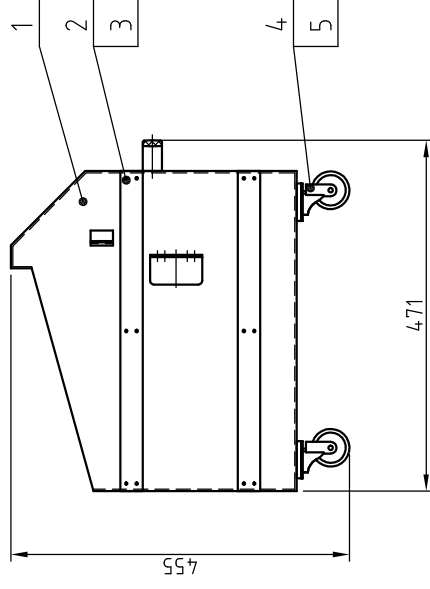
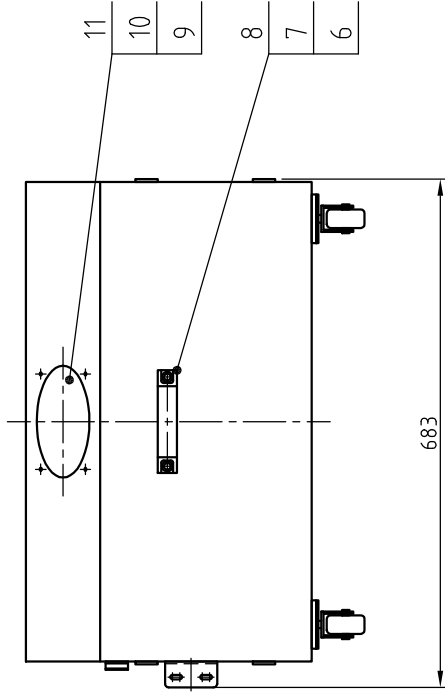







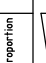
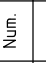
29	YW65008000100	Standard spring washerGB/T93 8-longzine	14	-	Cutting case cover plate 1
28	YW66081900000	Flat gasket AGB/T97.1 18(8x19x2.0)-longzine	13	BL54.306001320	Cutting case
27	YW64.080600000	Hexagon nutGB/T6170 M8	12	-	Square pipe frame
26	YW61082000200	Inner hexagon cylinder head screwGB/T70.1 M8x20-longzine	11	-	Hook
25	YR90000600400	Black rubber sealing strip (dia. 6mm)	10	BH1300200010	Feed box star assembly
24	YW68005500000	Inner hexagon flat-end set screwGB/T77 M5x5-longzine	9	YW66123200100	Large washer A gradeGB/T6 12(13x37x3)-longzine
23	BH10300800040	Feed box spindle	8	YW64.000600200	Non-metal insert hexagon nutGB/T889.1 M6
22	YW64.001000100	Hexagon nutGB/T6170 M10-longzine	7	YW66061300000	Flat gasket AGB/T97.1 16(6x12x1.6)-longzine
21	YW66102500000	Flat gasket AGB/T97.1 10(10x25x1.5)-longzine	6	YW61061601200	Inner hexagon cylinder head screwGB/T70.1 M6x16-longzine
20	YW61102500000	Inner hexagon cylinder head screwGB/T70.1 M6x25-12.9-longzine	5	-	Feed port I
19	-	Support frame	4	YW61051000200	Cross recessed pan head screw-H type GB/T818 M5x10-longzine
18	YW61082501200	Inner hexagon cylinder head screwGB/T70.1 M8x25-12.9-longzine	3	-	Baffle plate press plate
17	-	Support frame	2	-	Baffle plate
16	YW674.819000000	Cross socket head tapping screw GB/T5886.1 ST4.8x19-longzine	1	-	Feed box
15	-	Cutting case cover plate	No.	Material number	Name

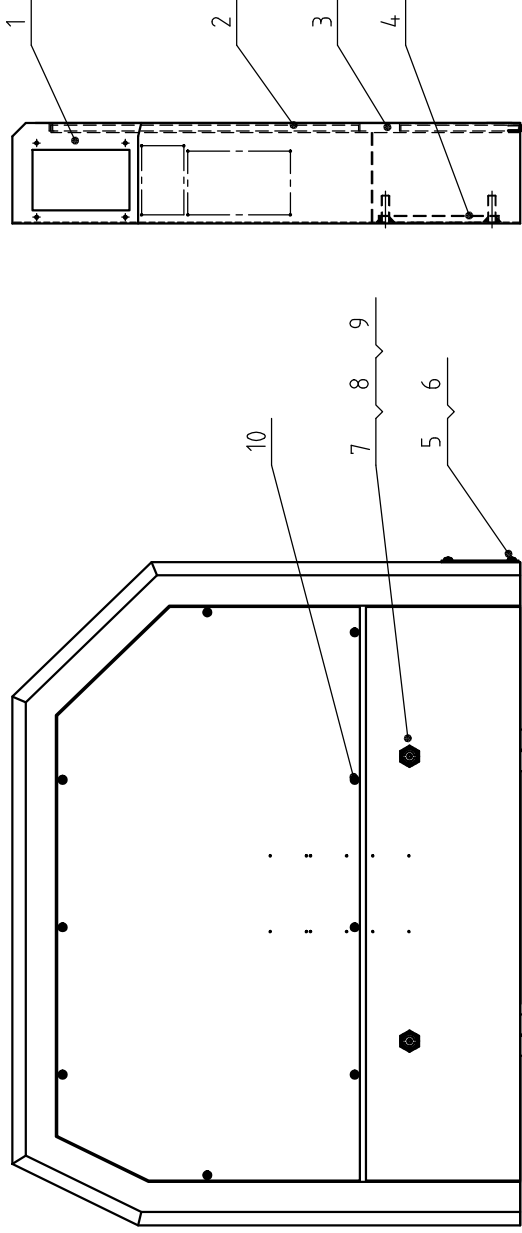
Title		SG-3060E		Drawing NO.	
Version		Feed box assembly		Material	
Drawer	Designer	Proofread by	Approved by	Checked by	Material
After modification	Modified by	Modify date	Date		Surface requirement number
Before modification					

**SHINI**  
 信易電熱機械股份有限公司  
 Shini Plastics Technologies, Inc.



11	YW64040700100	Hexagon nut M4 anti-loose
10	YW62041000000	Cross recessed pan head screw M4x10
9	BR90365200010	Sight glass plate
8	YW64000800100	Hexagon nut M8 anti-loose
7	YW61081600000	Inner hexagon cylinder head screw M8x16
6	BW20012000140	Aluminum square handle L120(M8)Black
5	YW62050500000	Large cross socket flat head screw M5x5
4	YW03000200000	Flexible castor 2"
3	YW61040600000	Flat head inner hexagon scre M4x6
2	BR90003000310	Baffle
1	-	Collective storage box

Mark	Before modification	Modified by	Modify date	Checked by	Date	 <b>信易電熱機械股份有限公司</b> <b>Shini Plastics Technologies, Inc.</b>	 Surface requirement Material number	 Material	 Proportion	 Num.
	After modification	Modified by	Modify date	Checked by	Date					
Title		Drawing NO.		No.		Material number		Name		
SG-3060E		Collective storage box assembly		-		-		Collective storage box		



8	YW00040600000	Door lock long fender
7	YW00000000100	Long door lock
6	YW61051000200	Cross recessed pan head screw M5X10
5	BL45000502120	Wire fixture fixed plate M25
4	-	Connecting plate
3	-	Lower housing cover plate
2	-	Upper housing cover plate
1	-	Shell

10	YW62052500000	Cross recessed pan head screw M5X25
9	YW00040600200	Door lock key CF-406-H

Mark	Before modification	Modified by	Modify date	Checked by	Date	Title SG-30E Shield components	Material number	Surface requirement	Material	Num.	
	After modification	Modified by	Modify date	Checked by	Date						
No.		Material number		Name		Drawing NO.		Proportion		Material	

**SHINI** 信易電熱機械股份有限公司  
Shini Plastics Technologies, Inc.