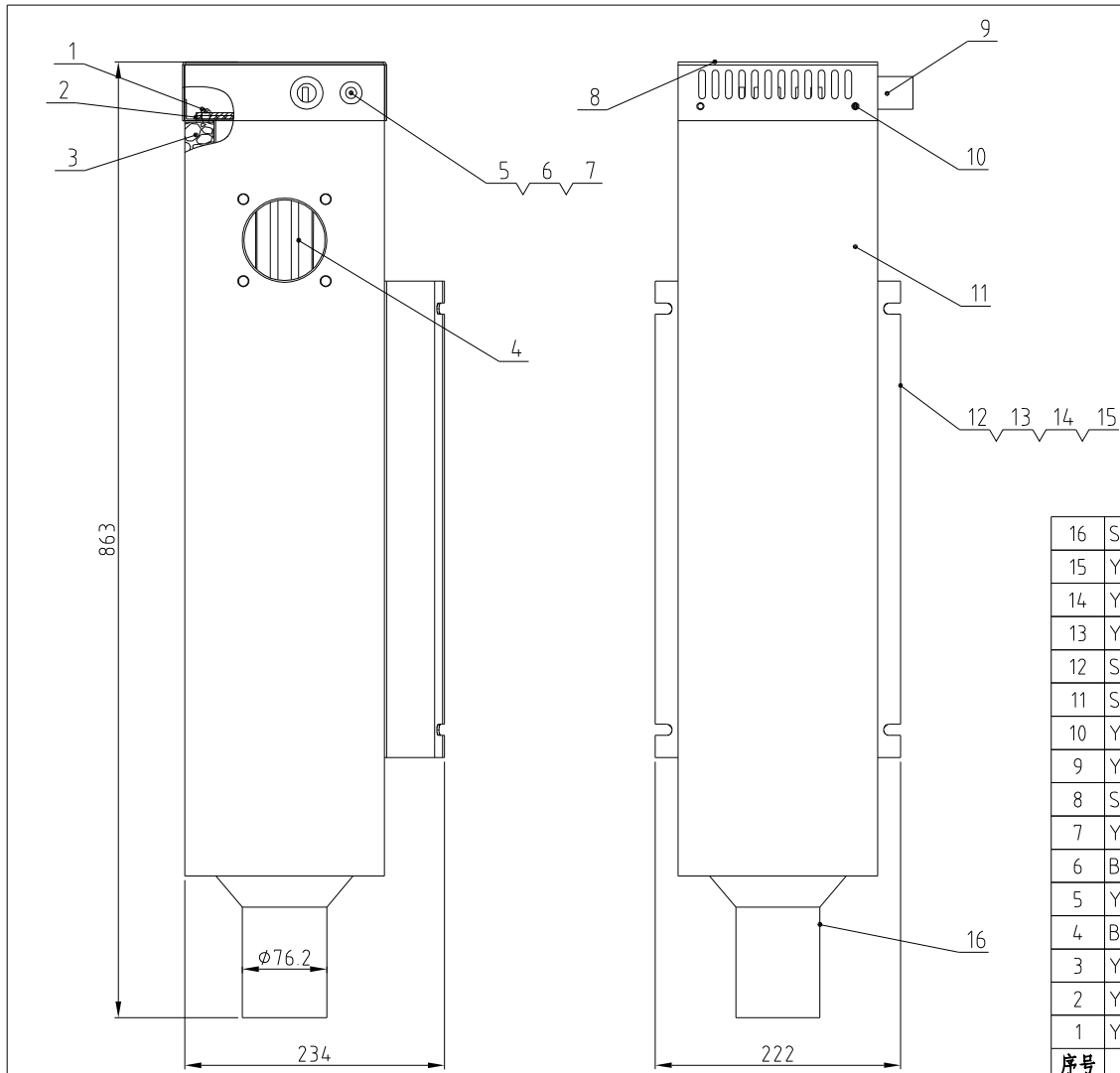


"\*"Indicates the items that may be damaged; "x" indicates the items that are more likely to be damaged. It is recommended to back them up. Please confirm the version number of the instruction manual before placing an order to purchase spare parts, so as to ensure that the material number of spare parts is consistent with the physical one.

风机功率 Blower Power	电热功率 Heater Power	搅拌机功率 Mixing Motor Power	机型版本号 Model Ver.
0.55KW	12KW	0.25KW	Ver.A
进出口管径 Inlet and Outlet Air Pipe Dia	落料口径 Discharge Port Dia	搅拌机转速 Mixing Motor Rotation Speed	料桶容量 Hopper Capacity
3inch	4inch	2.6r/min	160L

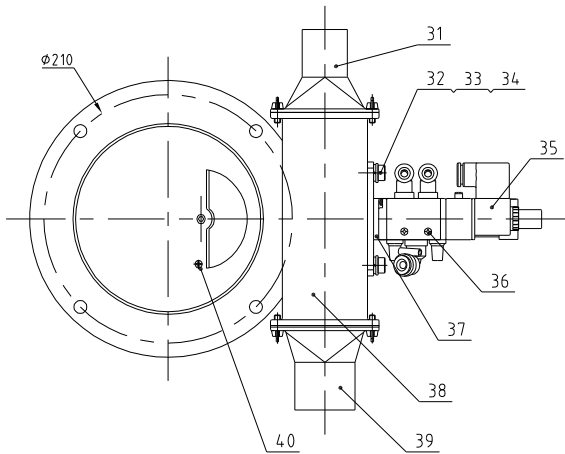
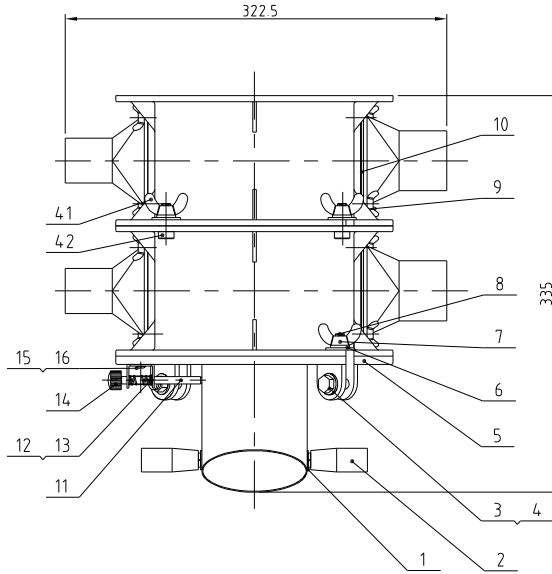
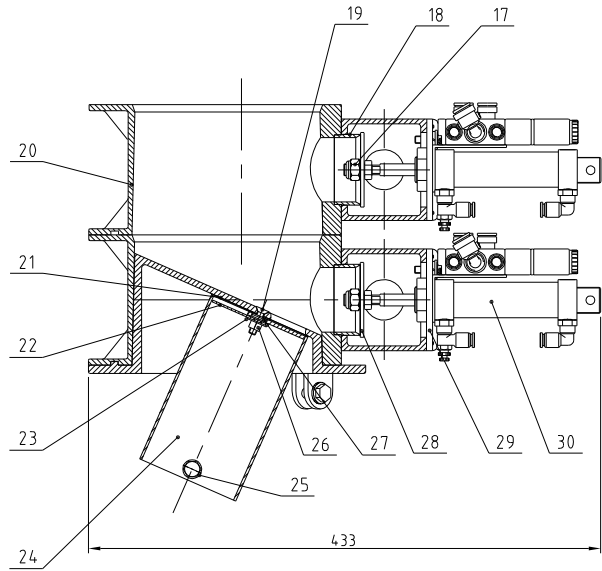
24	SICR-160U-F-ALL	Cyclone dust collector		1	
23	YW59418000000	Clip-on manual butterfly valve 4"		1	
22	CG61534000250	Vacuum generator SVG-5HP-C		1	
21	BY10163800450	Shut-off suction box SBU-160-380-V		1	
20	YW02180200100	Anti-dust filter bag clamp		2	
19	BP82184500000	Filter cloth bag φ180×450		2	*
18	BH80001510050	Stainless steel pipe coupler SPC-15"		2	
17	YW02000200000	Steel wire hose 2"(I27-51)		8	
16	YR60157000000	Steel wired plastic pipe 15"		4	Total length L=11M
15	YW02002500000	Steel wire hose 2.5"(40-64)		4	
14	YR60250000000	Steel wired plastic pipe 2"		2	Total length L=10M
13	BY20012004250	Euro central vacuum hopper SHR-12U-S		2	DC24V
12	YM50903300000	Gear motor SK9033.1AFBH VL2-71SP/4		1	400V50HZ
11	SICR-160U-E-ALL	Mixing assembly		1	
10	SICR-160U-A-ALL	Crystallization hopper assembly		1	
9	YR10001200600	Blower fastener SEHD-25-ALL-03		1	
8	BM30055000150	blower 550W		1	
7	SCR-160U-C-ALL	Heating case assembly		1	
6	YE16440200200	Magnetic code safety door switch 440N-Z2NPS1A (American ABI) with a wire length of 3M		1	
5	YW02003500000	Steel wire hose 3.5"		2	
4	YW72033600100	Heat-resistant air pipe 3"		0.5M	
3	SICR-160U-B-ALL	Control box assembly		1	
2	YE30200020000	Filter pressure regulating valve AFR-2000		1	
1	SICR-160U-D-01	Floor stand		1	
序号	代号	名称	材料	数量	备注

				制图	版号	0	标题	SICR-160U	图号	SICR-160U-ALL	比例	1:38	数量	1
				设计	核准		结晶送料组合					材质	/	
				校对							表面要求	/		
标记	更改前	更改后	更改人	日期	审核	日期	20221212	<b>信易电热机械股份有限公司</b> Shini Plastics Technologies, Inc.			物料号	/		



16	SICR-160U-C-02	Hot air pipe		1	
15	YW65008000100	Standard spring washer GB/T93 8-Longzine		4	
14	YW66081600000	Flat washer A grade GB/T197.118 4x16x16Longzine		4	
13	YW60082500100	Hex. bolt GB/T5783 M8x25-12.9-Longzine		4	
12	SICR-160U-C-03	Heating case fixed plate	SPCC2.0	1	
11	SICR-160U-C-01	Heating box outer box	SPCC1.5	1	
10	YW62051000100	Large cross socket flat head screw JIS1111 M5x10-Longzine		6	
9	YE67116040000	Quick connector of hose WGG1-P16B/AD212		1	
8	SHD-230U-A-23	Heating case cover	SPCC1.5	1	
7	YW63030600000	Cross recessed pan head screws GB/T-823 M3x6-Longzine		2	
6	BE85013000550	Temperature protector K130°C(wire length 0.5M) (thermal protection normally open)		1	
5	YE67109000000	Quick connector of hose WGG1-P09B/AD13.0		1	
4	BH70016007750	Pipe heater	Assembly	1	
3	YP6282014.0000	Fire blanket 8mm thick x 20M long x 1M wide		0	017RL
2	YR10161200000	Heating tank silica gel fastener φ160-T24(SHD-160U-A-31 Ver.A)white silica gel (has mould)	Silica 3.0	1	
1	YW62051500000	Large cross socket flat head screw JIS1111 M5x16-Longzine		2	
序号	代号	名称	材质	数量	备注

					制图	版号	0	标题	SICR-160U	图号	SICR-160U-C-ALL	比例	1:6	数量	1
					设计	核准			加热箱组件				材质	/	
					校对				信易電熱機械股份有限公司	Shini Plastics Technologies, Inc.	表面要求	/			
标记	更改前	更改后	更改人	日期	审核	日期	20230705				物料号	/			

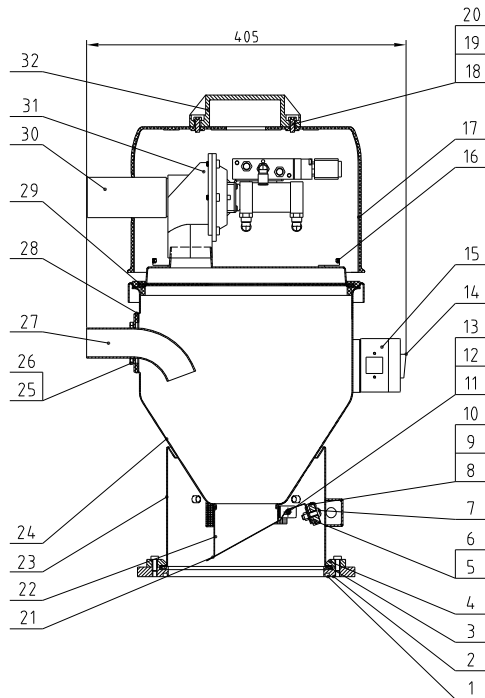
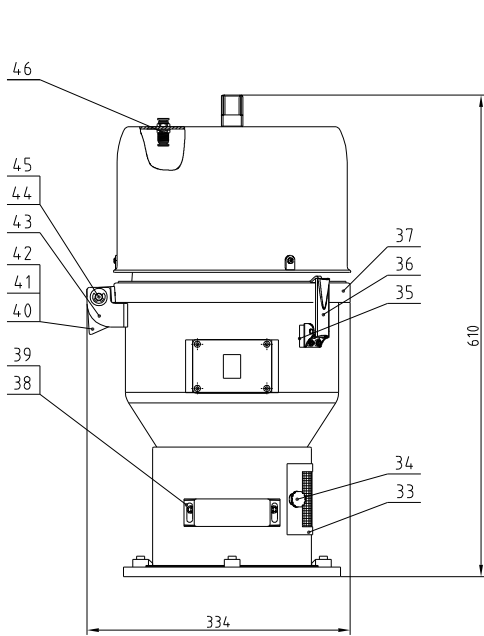


42	YW60082000200	Hex bolt GB/T5783 M8*20		4	
41	YW69000800000	Butterfly nut GB/T 62 M8		4	
40	YW69042000200	Cross socket pan head assembly screw GB/T 907C L-M6x20-Longzine		1	
39	SBU-160-38S-V-A-01	Suction port	YL112	2	Borrowed
38	SBU-160-38S-V-A-03	Shut-off valve	YL112	2	Borrowed
37	SBU-160-38S-V-A-10	Solenoid valve fixed block	SPCC2.0	2	Borrowed
36	YW63042500000	Cross recessed pan head screw GB/T-818 M4x25-Longzine		4	
35	YE32421000300	Solenoid valve 4V210-06/DC24V Air TAC	Assembly	2	
34	YW65006000100	Standard spring washer 6-Longzine		4	
33	YW66061300000	Flat washer A grade 6-Longzine		4	
32	YW61062501200	Inner hexagon cylinder screw GB/T170.1 M6x25-12.9-Longzine		4	
31	SBU-160-38S-V-A-05	Suction port	YL112	2	Borrowed
30	YE31255000000	Cylinder MBL25x50-CA-PT(Double-acting)	Assembly	2	
29	SBU-160-38S-V-A-11	Cylinder fixed piece	SUS201	2	Borrowed
28	SBU-160-38S-V-A-19	Diaphragm $\phi 63 \times \phi 10 \times 3$	SUS201	2	Borrowed
27	YW66061200000	Flat washer A grade GB/T197 1.6(6.4x12x1.6)-A2-70(SUS)		2	
26	YW64060401000	1-type all metal hex lock nut GB/T6184 M6-A2-70(SUS)		1	
25	YW60081600100	Hex bolt GB/T5781 M8x16-4.8-Longzine		2	
24	SBU-160-38S-V-A-04	Discharge port sleeve	SUS201	1	Borrowed
23	YW66061800000	Flat washer A grade GB/T96.16-Longzine		1	
22	SBU-160-38S-V-A-17	Washer in the hopper	SUS201	1	Borrowed
21	SBU-160-38S-V-A-18	Hopper bottom washer	SUS201	1	Borrowed
20	SBU-160-38S-V-A-01	Collective barrel	YL112	2	Borrowed
19	YW61062500500	Inner hexagon countersunk head screw GB/T170.3 M6x25-A2-70(SUS)		1	
18	SBU-160-38S-V-A-09	Shut-off port	SUS201	2	Borrowed
17	YW64101250000	Anti-loose nut M10x1.25(Fine thread)	Assembly	2	
16	YW62040500000	Cross socket flat-head screw JIS1111 M4x5-Longzine		2	
15	SBU-160-38S-V-A-13	Positioning pin fixed base	SUS201	1	Borrowed
14	YW69461600000	Hand screw M4x6x16		1	
13	YW66000500000	E-type washer E5		1	
12	SBU-160-38S-V-A-14	Spring	65Mn	1	Borrowed
11	SBU-160-38S-V-A-15	Pin	Q235	1	Borrowed
10	SBU-160-38S-V-A-07	Air supplement fender	SUS201	2	Borrowed
9	YW69051500000	Butterfly bolt GB/T 3098-M5x15		8	
8	YW09051600100	Plum screw 5/16(SBU-160-38S-V-22)		2	
7	YW69051600000	Wing nuts 5/16"		2	
6	YW66081900000	Flat washer 8x19x2.0 Longzine		6	
5	SBU-160-38S-V-A-02	Discharge port body	YL112	1	Borrowed
4	YW64080600000	Hex nut GB/T6170 M8-Longzine		2	
3	YW60083000100	Hex bolt GB/T5783 M8x30-8.8-Longzine		2	
2	YW06000100000	Blade rotating rod (stationary rod) handle	Plastic	2	
1	YW66081900000	Flat washer 8x19x2.0 Longzine		2	

序号	代号	名称	材质	数量	备注
		标题 SBU-160-38D-V	图号 SBU-160-38D-V-ALL	比例 1:4	数量 1
		截料式吸料盒		材质	组件
			表面要求		/
			物料号		/

制图	版号	B
设计	核准	
校对	日期	20200525
标记	更改前	更改后
	更改人	日期
	审核	





Technical Requirement:

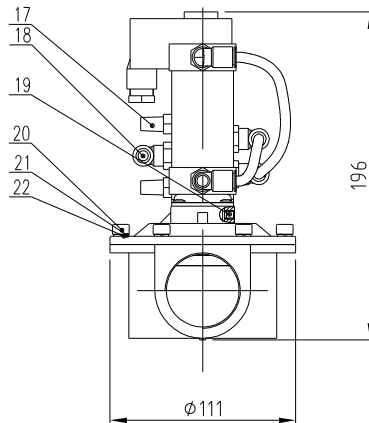
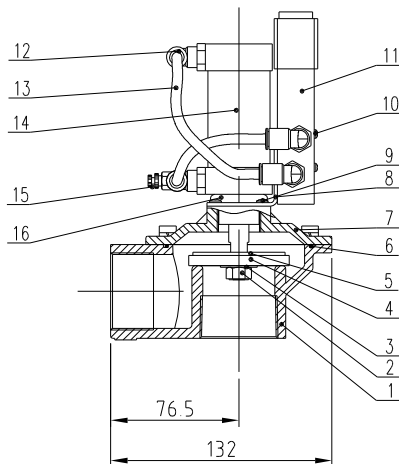
1. Main Parameters:

- a Storage hopper capacity: 12L
- b Air source: 4-6kgf/cm<sup>2</sup>
- c Voltage: DC24V.

46	YW80000801500	APM insulated plate direct connector APM8(Air: TAC)	Assembly	1	
45	YW66000600000	Open check ring GB/T896-6		2	
44	SAL-6U-31	Hinge pin	SUS201	1	Borrowed
43	SAL-6U-12	Lower hinge	SPCC3.0	1	Borrowed
42	YW64000500000	Hexagonal nut M5 anti-loose		6	
41	YW66051000000	Flat washer A grade GB/T97.15-Longzine		6	
40	SAL-6U-11	Upper hinge	SPCC3.0	1	Borrowed
39	YE151230004.00	Reed switch BNTZ-308LA/length:80mmZ-VISONONI Without crystal point		1	
38	SAL-6U-03	Sensor shell	ABS	1	Borrowed
37	SHR-12U-S-A-09	Hopper cover	Assembly	1	
36	YW020030004.00	Adjustable snap hook SAL-6U-A-35	Assembly	2	
35	YR40000600800	Snap hook plastic pad SAL-6U	ABS	2	
34	YR40061500000	Star handle SAL-6U/M6*15	Assembly	2	
33	SAL-6U-01	vent window	Assembly	1	Borrowed
32	BW2001200004.0	Square aluminum handle 120L (M6 holes) black	YL112	1	
31	BY20382400050	Vacuum separating valve SPDV-38	Assembly	1	24VDC
30	SHR-12U-S-A-13	Air suction pipe	SUS201	1	Borrowed(Standard configuration)
29	SHR-12U-A-12	Integrated filter screen	Assembly	1	Borrowed
28	SAL-6U-A-16	Inlet pipe fastener	Rubber	1	Borrowed
27	SAL-6U-A-14	Inlet pipe	SUS201	1	Borrowed(Standard configuration)
26	YW64040700100	Non-metal insert hexagon lock nut GB/T889.1M4		8	
25	YW66041000000	Flat washer A grade GB/T97.1 4x5X9X0.8L-Longzine		8	
24	SHR-12U-S-A-12	Storage tank	SUS304	1	
23	SAL-6U-A-32	Hopper fixed base	SUS304	1	Borrowed
22	SAL-6U-21	Discharge port	SUS201	1	Borrowed
21	SAL-6U-A-06	Discharging plate	SUS201	1	Borrowed
20	YW61062000300	Inner hexagon cylinder head screw GB/T101.6x20-12.9-Longzine		6	
19	YW65006000100	Standard spring washer GB/T93.6-Longzine		8	
18	YW66061300000	Flat washer A grade GB/T97.1 6-Longzine		8	
17	SHR-12U-S-A-11	Motor cover	ABS	1	
16	YW62051500000	Large cross socket flat head screw JIS1111 M5X16-Longzine		3	
15	BH90615000010	Control box lower cover SHR-6U-S-A-15/01 white	ABS	1	
14	YE10210400000	White alternative switch R210-CSLBW4P	Assembly	1	
13	YW64000300000	Anti-loosening nut M3		1	
12	SAL-6U-09	Discharging plate fixed base	SUS201	1	Borrowed
11	YW63034000000	Cross recessed pan head screw GB/T-8.8 M3x10-Longzine		1	
10	YW64000600200	Hexagon nut M6(anti-loose)		1	
9	YW66082200100	Big gasket C GB/T96818 4x24x2L-Longzine		4	
8	SAL-6U-19	Magnet set	H58	1	Borrowed
7	YW63062000000	Cross recessed pan head screw GB/T-8.8 M6x20-Longzine		1	
6	SAL-6U-07	Magnetic cover	SUS201	1	Borrowed
5	YW90257700000	Permanent magnet φ25×φ7×7	permanent magnet	1	
4	SAL-6U-13	Pressure block	YL112	4	Borrowed
3	SHR-12U-S-A-16	Base fastener	EVA2.0	1	
2	SAL-6U-29	Base	YL112	1	Borrowed
1	YR20205500000	Inner diameter of rubber O-ring φ200×5.5	Rubber	1	

序号	代号	名称	材质	数量	备注
		标题 SHR-12U-S	图号 SHR-12U-S-A-ALL	比例 1:6	数量 1
		欧化中央真空料斗		材质	组件
				表面要求	
标记	更改前	更改后	更改人	日期	审核
				日期	2014.09.23





Tech. Req.:

1. Pneumatic working pressure: 0.4-0.8MPa.
2. The serial numbers<2> need some screw tightening agents.

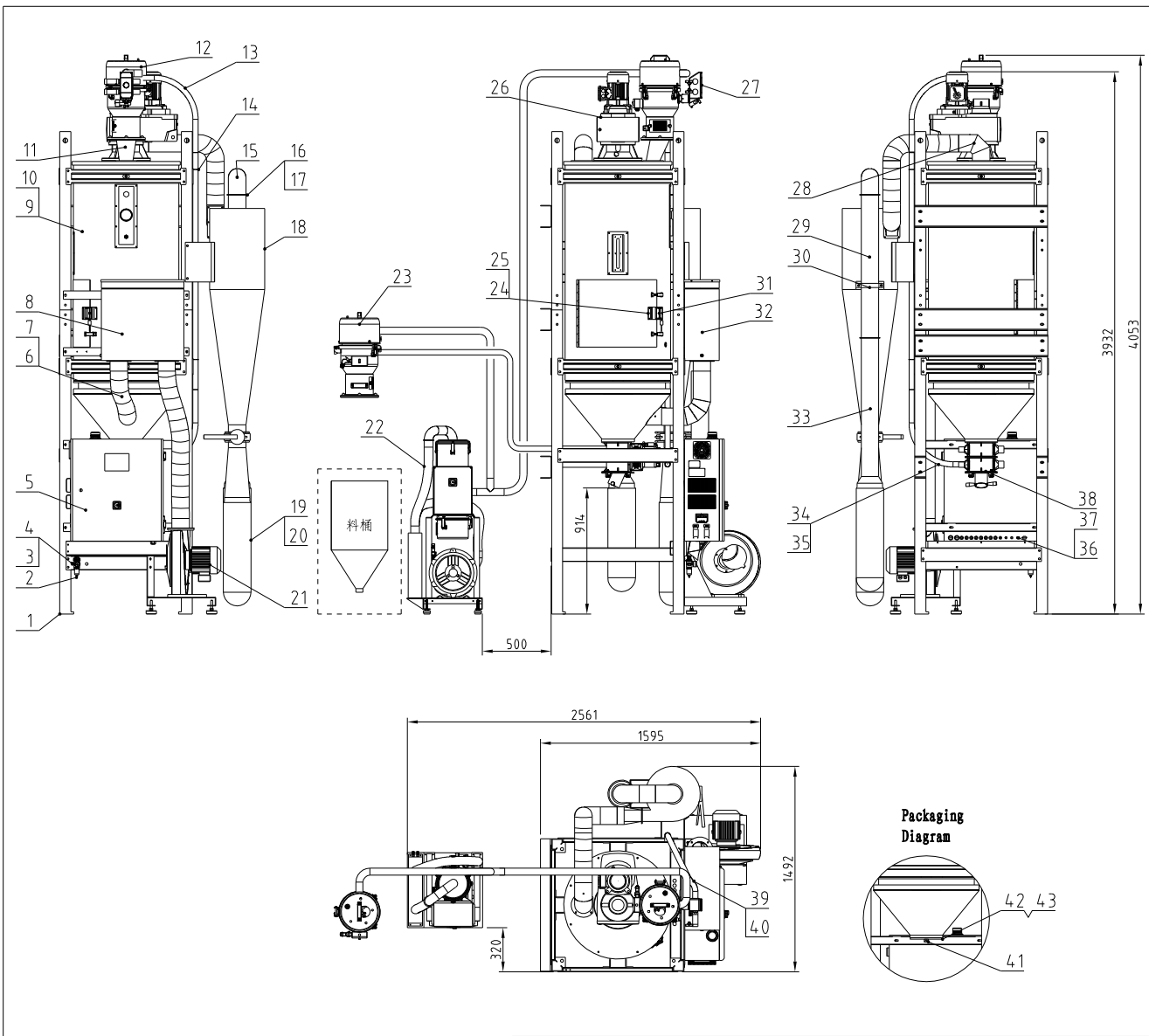
22	YW66061300000	Flat washer A grade GB/T97.1 6-Longzine		6	
21	YW65006000100	Standard spring washer GB/T93 6-Longzine		6	
20	YW61061601200	Inner hexagon cylindrical screw GB/T70.1 M6x16-12.9-Longzine		6	
19	YW68005500000	Inner hex flat end lock screw GB/T77 M5x5-Longzine		1	
18	YW80081800100	L-shaped threaded joint PL8-01 1/8-φ8 (Air TAC) 10 pcs/bag		1	
17	YW80010800000	Copper silencer 1/8" (has mould)		2	
16	YR20305000000	Rubber o-ring 30x5		1	
15	YW80061800000	Adjustable air pipe connector ASL6-1/8(10 pcs/bag)		1	
14	YE31322000100	Non standard cylinder MBL 32x20U-JX876B (Air TAC) M8 thread length 21mm		1	
13	YR60000600400	PU Air pipe φ6x4, black 200 M/roll		1	
12	YW80061800200	L screw connector APL6-01 1/8-φ6(Air TAC)10 pcs/pack		3	
11	YE32421000300	Solenoid valve 4V210-06/DC24V Air TAC		1	
10	YW63042500000	Cross recessed pan head screw GB/T-818 M4x25-Longzine		2	
9	YW63040600000	Cross recessed pan head screw GB/T-818 M4x6 Longzine		2	
8	BL20380500020	Fixed piece of solenoid valve SPDV-38-ALL-05 (drawing number (version) with AIRTAC solenoid valve)		1	
7	BW20001500810	Upper cover SPDV-38-ALL-01 white (processed) (with mold)		1	
6	YR20258900000	O rubber seal ring 2.5x89 (outside diameter)		1	
5	BL90558200040	Diaphragm gasket 46 x 82 x 2 SPDV-38-ALL-04 (galvanized) 0.0342KG		1	
4	BR10608500040	Diaphragm valve 60x82x5.6 (SPDV-38-ALL-03)(rubber coating) silica gel		1	
3	YW66082200100	Big gasket C GB/T968(Ø 4x24x2)-Longzine		1	
2	YW64000800100	Non-metal insert hex lock nut GB/T889.1 8		1	
1	BW20001500910	Lower cover SPDV-38-ALL-02 white(processed)(has mould)		1	

序号	代号	名称	材质	数量	备注
				1:4	数量 1
					材质 /
			表面要求		/
			物料号		/

制图	版号	0	标题	SPDV-38	图号	SPDV-38-ALL-DC24V
设计	核准		真空分离阀			
校对						
标记	更改前	更改后	更改人	日期	审核	日期 20230320



信易电热机械股份有限公司  
Shini Plastics Technologies, Inc.

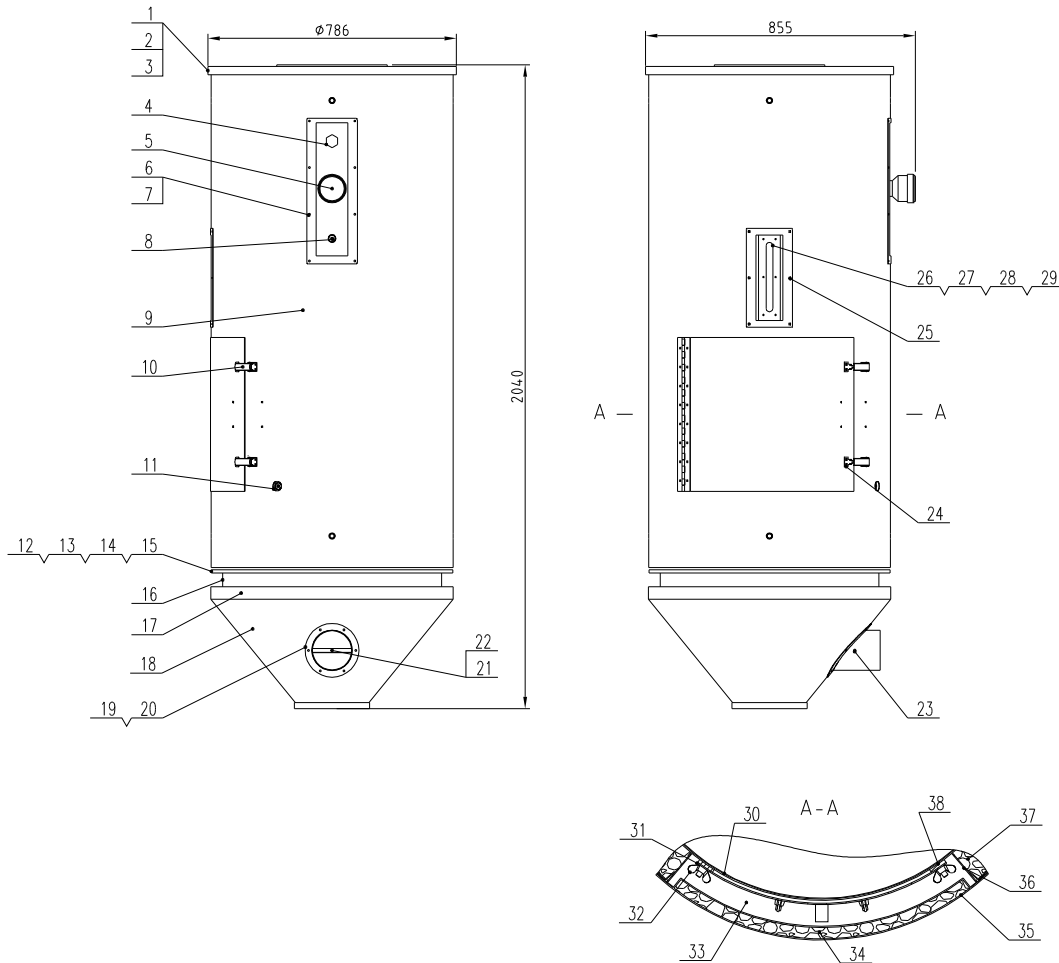


Blower power	Heater power	Mixing motor power	Ver
2.2KW	24KW	0.55KW	Ver. A
Inlet and outlet pipe diameter	Discharge port diameter	Mixing motor speed	Hopper capacity
5inch	4inch	2.6r/min	450L

43	SICR-450U-ALL-06	Fastener		1
42	SICR-450U-ALL-04	Fixed shaft flange		1
41	YW61167000000	Heat resistant air pipe 5" (heat resistant)		1
40	YW02000200000	Heat resistant air pipe 5" (heat resistant)		4
39	YR60157000000	Steel lined plastic pipe 1.5" (heat resistant)		1M
38	BY10163800450	Steel lined section bar 2" (heat resistant)		1
37	SICR-450U-ALL-13	Cable tray cover plate		1
36	SICR-450U-ALL-12	Trunking		1
35	BH80001510050	Stainless steel connector SPC-1.5"		2
34	SICR-450U-ALL-10	Suction elbow 1		1
33	SICR-450U-ALL-03	Filter cloth bag piping 1		1
32	BH90115000050	Assembly ISO (115-20°C SS. 12502.160)		1
31	SICR-450U-ALL-08	Safety switch fixing plate right		1
30	SCR-450U-ALL-08	piping fixed piece	Borrowed	1
29	SCR-450U-ALL-09	Filter bag piping 2	Borrowed	1
28	SICR-450U-ALL-02	Exhaust flange		1
27	CG30382400150	SPV-300 (air inlet valve 1200/2400) for SICR		1
26	YMS05382008000	Injection valve SPC2000 1/2" (heat resistant)		1
25	YE16440200200	Light shield for heat resistant (heat resistant)		1
24	SICR-450U-ALL-07	Safety switch fixing plate left		1
23	BY20012004250	SPV-300 Section pipe diameter 2 inches (heat resistant)		1
22	CG61534000150	SPV-300 C-300/400V/500V (VCL. CSD)		1
21	SICR-450U-B-ALL	Wind rack		1
20	YW02200200100	Heat resistant air pipe 5" (heat resistant)		2
19	BP82206500044	Filter bag Ø200x300(SICR-450U-ALL-14)		2
18	SICR-450U-F-ALL	Cyclone dust collector assembly		1
17	YR20000500000	Injection steel packing ring and ring (heat resistant)		3
16	YW07000500000	Stainless steel punch clamp 5"		3
15	SICR-450U-ALL-05	Cyclone outlet pipe		1
14	SICR-450U-ALL-09	Suction pipe		1
13	SICR-450U-ALL-11	Suction elbow 2		1
12	BY20012200250	Heat resistant air pipe 5" (heat resistant)		1
11	SICR-450U-ALL-01	Hopper receiver adaptor flange		1
10	YW61640000000	Heat resistant air pipe 5" (heat resistant)		12
9	SICR-450U-A-ALL	Storage tank assembly		1
8	SICR-450U-G-ALL	Heating case assembly		1
7	YW02501200000	Heat resistant air pipe 5" (heat resistant)		6
6	YW72053600000	Heat-resistant air pipe 5"	3M	1
5	SICR-450U-C-ALL	Control box assembly		1
4	YW80081400100	Heat resistant air pipe 5" (heat resistant)		1
3	YW80081400000	Heat resistant air pipe 5" (heat resistant)		1
2	YE30200020000	Filter pressure regulating valve WFR-2000		1
1	SICR-450U-D-ALL	Tripod component		1

• means possible broken parts  
 \*\* means easy broken part, and spare backup is suggested.  
 Please confirm the version of manual before placing the purchase order to guarantee that the item number of the spare part is in accordance with the real object.

制图	版号	0	标题	SICR-450U	图号	SICR-450U-ALL	比例	1:30	数量	1
设计	核准		结晶送料機							
校对	日期	2024.0813	SHINI 信易電熱機械股份有限公司		Shini Plastics Technologies, Inc.		表面要求		/	
标记	更改前	更改后	更改人	日期	审核	日期	物料号		/	



38	SICR-450U-A-14	Clean the door fastener	Flamed silicone rubber	1	
37	YP60501500000	Heavy glass fiber laminated board (50*100)		1	
36	SICR-450U-A-16	Clean the door frame cover plate 2	Aluminum plate with patterns	2	
35	SICR-450U-A-07	Cleaning door cover plate	Aluminum plate with patterns	1	
34	SICR-450U-A-08	Clean the door		1	
33	SICR-450U-A-10	Clean the door frame panel.1	Aluminum plate with patterns	2	
32	YW69000800000	Butterfly nut GB/T 62 MB		12	
31	SICR-450U-A-09	Cleaning door baffle	SUS201	1	
30	SICR-450U-A-01	Welding diagram of storage bucket		1	
29	YW64000500000	Hexagonal nut M5 anti loosening		6	
28	YW70000100000	Hexagonal glass with six holes with anti-loosening		1	*
27	YR40000600000	Right-angle bracket six holes with anti-loosening		1	
26	BW09000630040	Six holes right-angle bracket with anti-loosening		1	
25	SICR-450U-A-12	sight-glass flange	SUS201	1	
24	SICR-450U-A-18	hook	SUS201	2	
23	BE90400000050	Thermocouple SP-700/1000 (40) W09		1	
22	YW61061200100	Internal hopper		6	
21	SICR-450U-A-03	Internal hopper		1	
20	YW67041200000	Cover plate with tapping cover W096 SUS304-F Flange		6	
19	SICR-450U-A-17	Hopper Inlet air pipe Flange	SUS201	1	
18	SICR-450U-A-06	Hopper packaging board 1	Aluminum plate with patterns	1	
17	SICR-450U-A-15	Hopper packaging board 3	Aluminum plate with patterns	1	
16	SICR-450U-A-11	Hopper packaging board 2	Aluminum plate with patterns	1	
15	YW65008000100	Standard spring washer Q235 F-Longline		16	
14	YW66081600000	Flat washer A grade Q235 F-Longline		16	
13	YW60084.000100	Large screw bolt Q235BH-A-F-Longline		8	
12	SICR-450U-A-04	External hopper		1	
11	BE90600000050	Thermocouple SP700 (40) W09		1	
10	YW02003000400	Spring buckle adjustable SUS-#1.5 (Ver.0)		2	
9	SICR-450U-A-05	Bucket packaging board	Aluminum plate with patterns	1	
8	YE90059301500	Thermocouple SP700 (40) W09		2	
7	YW67041200000	Cover plate with tapping cover W096 SUS304-F Flange		14	
6	SICR-450U-A-13	Level sensor flange	SUS201	1	
5	YE15802000600	Anti-vibration board with anti-loosening		1	
4	BH12901620010	Level gauge plug SUS304BH-10 (Ver.0)		1	
3	YW61083500000	Large screw bolt Q235BH-A-F-Longline		8	
2	YR10010040100	Over silicone compression D-type 2.0mm		9.6m	
1	SICR-450U-A-02	Barrel cover		1	

\* means possible broken parts.

\*\* means easy broken part. and spare backup is suggested.

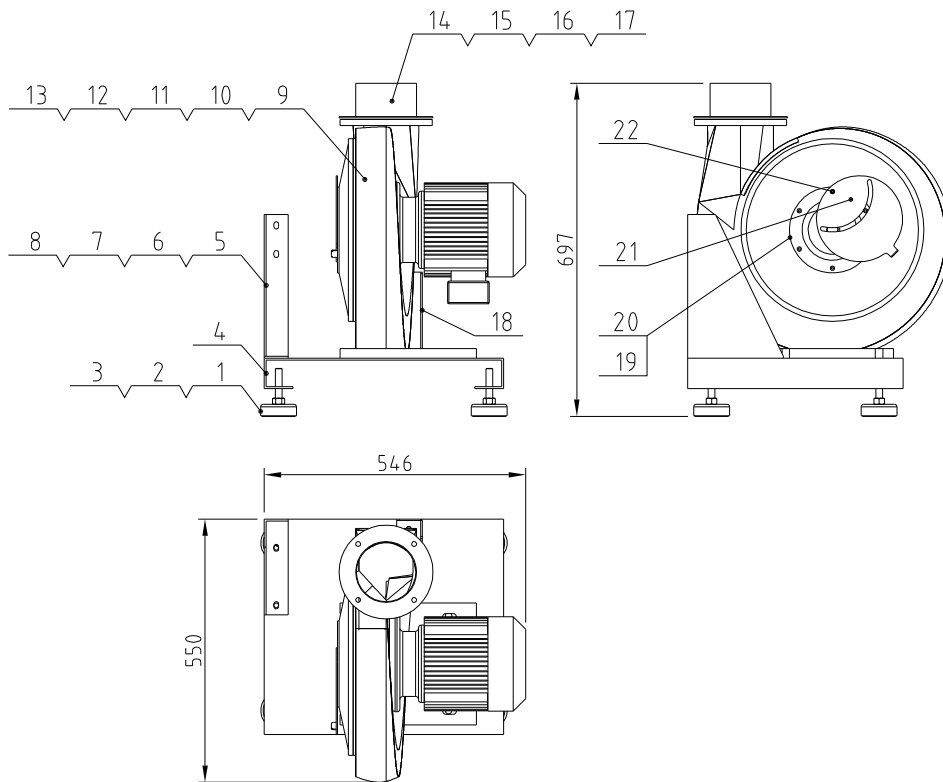
Please confirm the version of manual before placing the purchase order to guarantee that the item number of the spare part is in accordance with the real object.

制图	设计	校对	审核	日期	日期

序号	代号	名称	材质	数量	备注



比例	1:15	数量	1
材质			/
表面要求			/
物料号			/



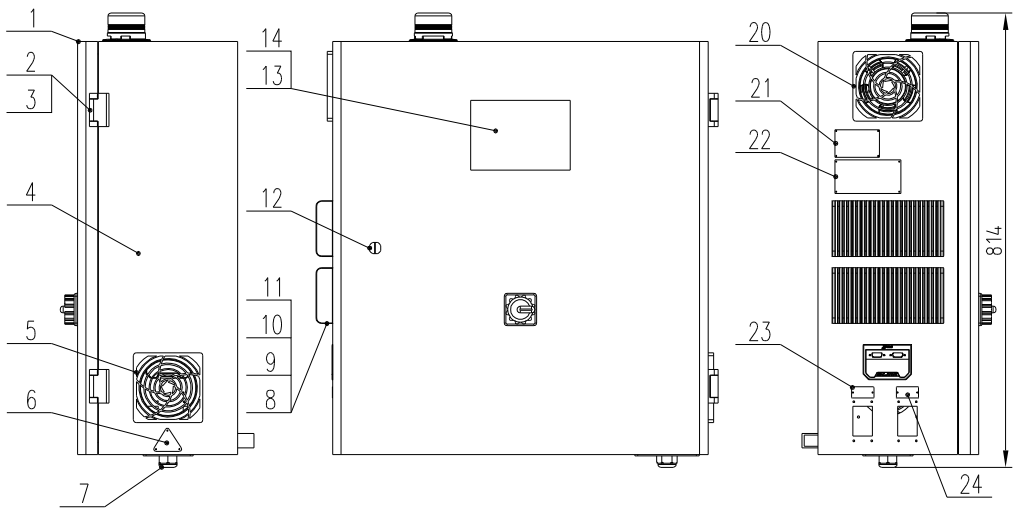
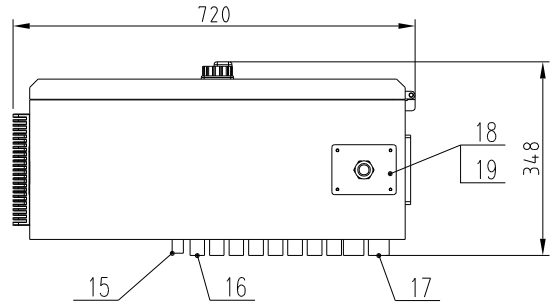
22	YW69051500000	Butterfly bolt GB/T 3098-M5x15		2	
21	SICR-450U-B-05	Blower regulating hood	SPCC2.0	1	
20	YW62051000100	Cross recessed flat head screw JIS1111		4	
19	SICR-450U-B-04	Blower fan guard		1	
18	SICR-450U-B-03	Right fixing plate of blower	SPCC3.0	1	
17	SICR-450U-B-06	fastener	EVA3.0	1	
16	YW64080600000	Hexagonal nut GB/T6170 M8		4	
15	YW60084000100	Hexagon head bolt GB/T5781 M8x40-4.8		4	
14	SCR-450U-B-19	Fan outlet flange	SUS201	1	Borrowed
13	YW64012100000	Hexagonal nut GB/T6170 M12		4	
12	YW65012000000	Standard spring washer GB/T93 12		4	
11	YW66122400000	Flat Washer Grade A GB/T97.1 12		8	
10	YW60124000000	Hexagon head bolt GB/T5783 M12x40		4	
9	BM30224000050	Motor 2.2-4kW/3 phase/220V/400V/50Hz/6000 (for S)		1	
8	YW65008000100	Standard spring washer GB/T93 8		8	
7	YW66081600000	Flat Washer Grade A (8.4*16*1.6)		12	
6	YW60082000200	Hexagon head bolt GB/T5783 M8x20-8.8		4	
5	SICR-450U-B-02	Left fixing plate of blower	SPCC3.0	1	
4	SICR-450U-B-01	Blower bottom plate	SPH4.0	1	
3	YW66142700000	Flat Washer Grade A GB/T97.1 14		4	
2	YW64001400200	Hexagonal nut GB/T6170 M14		4	
1	BW30012001410	Foot pad SH120		4	
序号	代号	名称	材质	数量	备注

\*\*Indicates the items that may be damaged; \* \* \* indicates the items that are more likely to be damaged. It is recommended to back them up.

Please confirm the version number of the instruction manual before placing an order to purchase spare parts, so as to ensure that the material number of spare parts is consistent with the physical one.

					制图	版号	0	标题	SICR-450U	图号	SICR-450U-B-ALL	比例	1:14	数量	1
					设计	核准		风机架组件					材质	/	
					校对				信易電熱機械股份有限公司	Shini Plastics Technologies, Inc.	表面要求	/			
标记	更改前	更改后	更改人	日期	审核	日期	2024.0813				物料号	/			





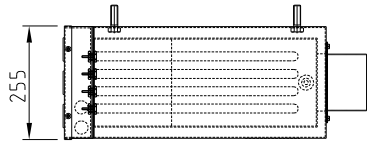
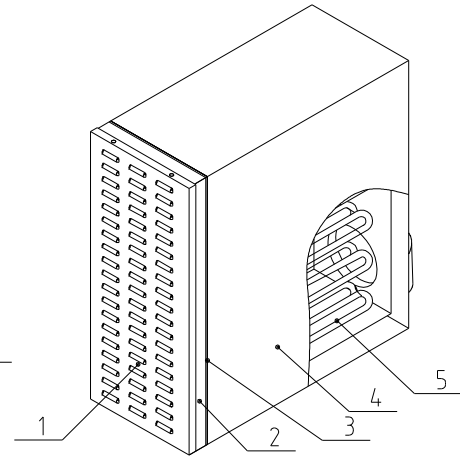
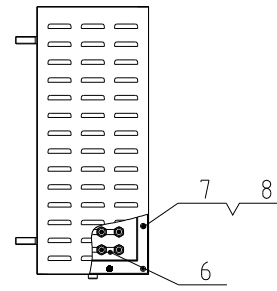
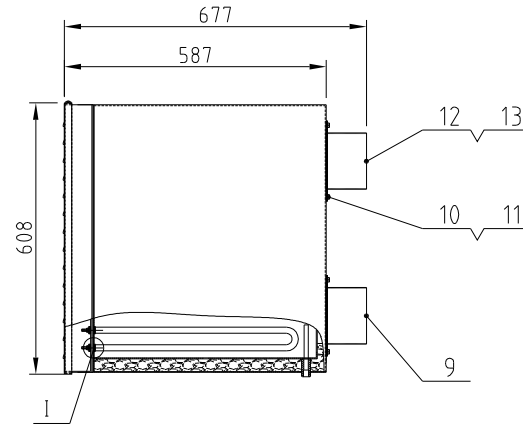
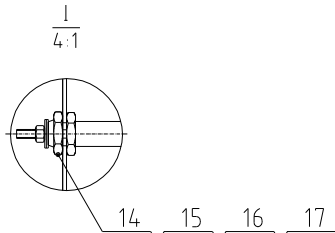
• means possible broken parts.  
 \*\* means easy broken part, and spare backup is suggested.  
 Please confirm the version of manual before placing the purchase order to guarantee that the item number of the spare part is in accordance with the real object.

24	YP31402001200	Suction signal (aluminum plate label)		1	
23	YP31402001400	Feeding signal (aluminum plate label)		1	
22	YP31011860000	Aluminum plate label 118*60MM		1	
21	YP30804900700	Aluminum plate nameplate group general		1	
20	YM60121206400	Exhaust blower 12*12CM/24VAC 50/60HZ		1	
19	YW67051000700	Cross recessed pan head locking screw		4	
18	BL02003200120	Fire fixture final plate 82.5*5-0(Spray white paint)			
17	YE67121000000	Quick hose connector WGI-P21B/AD28.5		2	
16	YE67013500700	Quick hose connector WGI-P13.5B/AD18.5		8	
15	YE67109000000	Quick hose connector WGI-P09B/AD13.0		1	
14	YW64000600300	Hexagonal nut GB/T6170 M6		4	
13	SICR-450U-C-03	Electrical component installation plate	SECC15	1	
12	YW00816100000	Door lock (MS816-1 black with key)		1	
11	JP72156000000	Thermal conductive silicone grease		0.1	
10	YW61041000100	Cross recessed countersunk head screw GB19 M4*10		8	
9	YW63040600000	Cross recessed pan head screw GB/T-818		8	
8	YW90120700000	Aluminum cooler SD-WH-AL-28 (version A) (black)		2	
7	YE67321500100	Copper nickel-plated cable connector		1	
6	YP31051650000	Power supply 3-phase 400V 51*45MM		1	
5	YR40120300000	Exhaust blower three-in-one dust-proof		1	
4	SICR-450U-C-01	Control box	SPCC15	1	
3	YW62051000100	Cross recessed flat head screw JIS1111		12	
2	YW06219100000	Large hinge CL219-1 /CL734-1		2	
1	SICR-450U-C-02	Control box door	SPCC15	1	

序号	代号	名称	材质	数量	备注
			比例 1:12	数量 1	
			材质	/	
			表面要求	/	
			物料号	/	

					制图	版号	0	标题	SICR-450U	图号	SICR-450U-C-ALL
					设计	核准			控制箱组件		
					校对						
标记	更改前	更改后	更改人	日期	审核	日期	2024.0813				





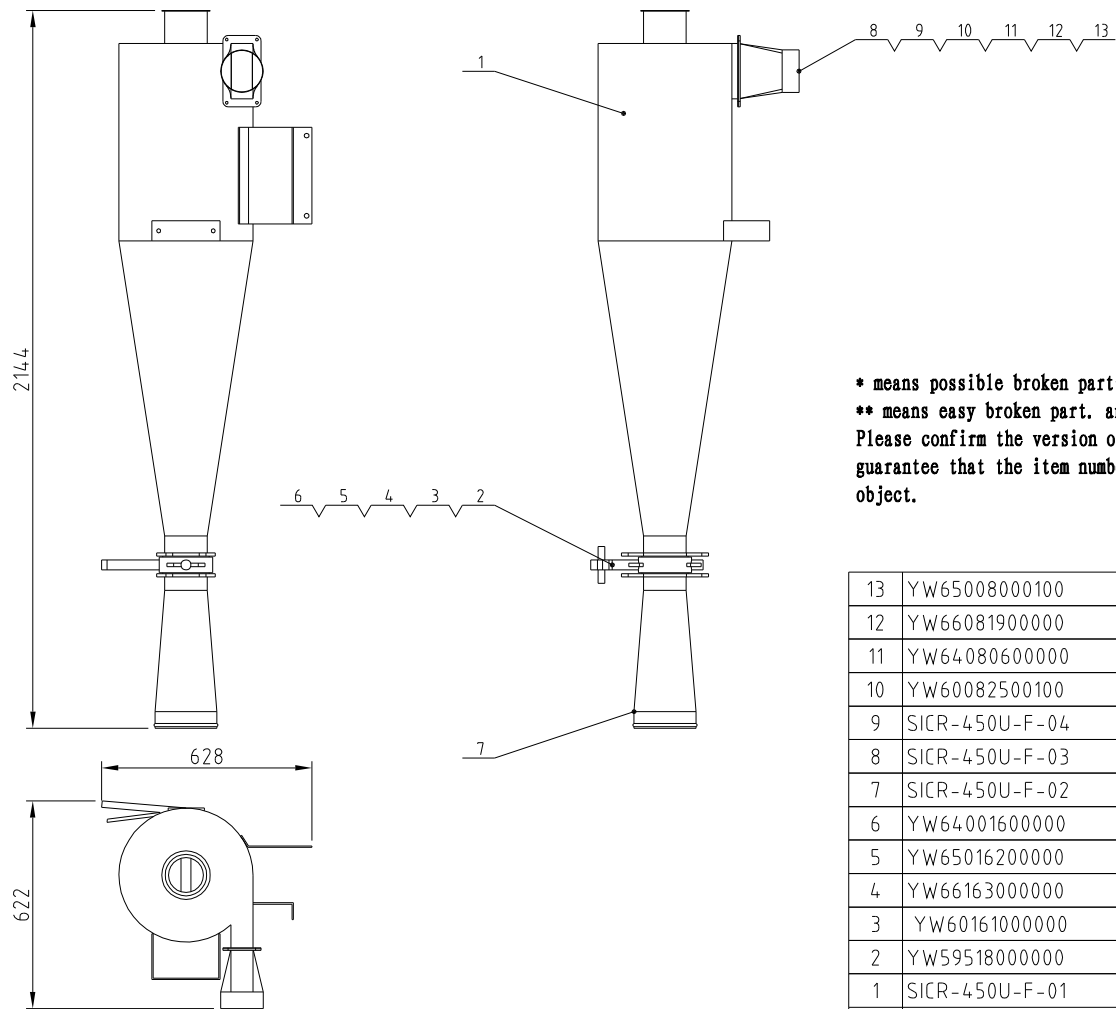
17	BH11090002310	Electric heating tube fitting mt. CR-900-179-01 (SUS304) (purchased)		48	
16	YW64031600000	Hexagonal nut 3/16		48	
15	YW66051300000	Flat washer 5.5*13*1 Duck Rust		72	
14	YP52521600000	Natural Mica Washer 5.2*16 (40KG/box)		144	
13	SCR-450U-C-05	Air inlet flange	SUS201	1	
12	SCR-450U-C-07	The air inlet and outlet of the heating box are tightly pressed	white silica gel	2	
11	YW66061300000	Flat washer A grade GB/T97.1 6-Longzine		8	
10	YW60063000000	Hexagon head bolt GB/T5781 M6x30-4.8		8	
9	SCR-450U-C-06	Air outlet flange	SUS201	1	
8	YW66061300000	Flat Washer Grade A GB/T97.1 6-Duck Rust		20	
7	YW62062000000	Cross recessed flat head screw JIS1111		18	
6	YW66523400000	Copper gasket		36	
5	BH70045000850	Electric heating tube SCR-450U		1	*
4	SCR-450U-C-03	Heating box welding diagram		1	
3	SCR-450U-C-08	Heating box silicone tight	white silica gel 3.0	1	
2	SICR-450U-C-01	Pipe heat mounting plate	SECC2.5	1	
1	SCR-450U-C-01	Heating box cover	SPCC1.5	1	
序号	代号	名称	材质	数量	备注

\*\*Indicates the items that may be damaged; \* \*\* indicates the items that are more likely to be damaged.

It is recommended to back them up.

Please confirm the version number of the instruction manual before placing an order to purchase spare parts, so as to ensure that the material number of spare parts is consistent with the physical one.

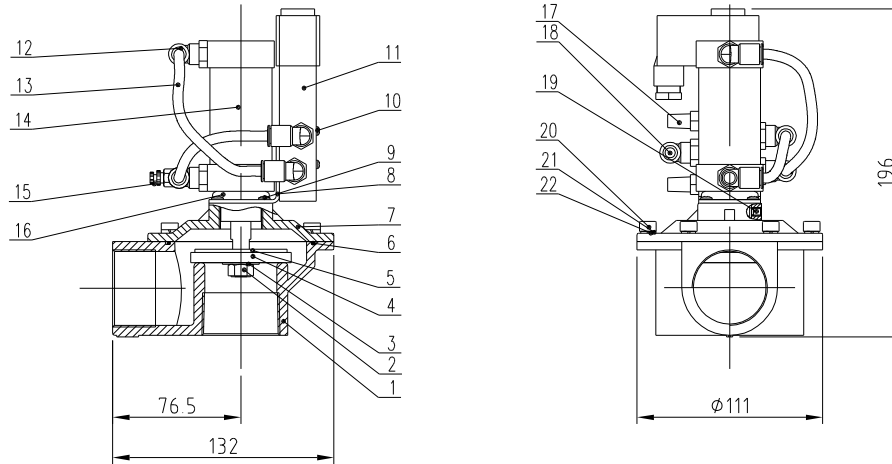
					制图		版号	0	标题	SICR-450U 加热箱组件	图号	SICR-450U-G-ALL	比例	1:15	数量	1
					设计		核							材质	/	
					校对		准						表面要求	/		
标记	更改前	更改后	更改人	日期	审核		日期	2024.08.13		信易電熱機械股份有限公司 Shini Plastics Technologies, Inc.			物料号	/		



\* means possible broken parts.  
 \*\* means easy broken part, and spare backup is suggested.  
 Please confirm the version of manual before placing the purchase order to guarantee that the item number of the spare part is in accordance with the real object.

13	YW65008000100	Standard spring washer GB/T93 8		6	
12	YW66081900000	Flat Washer 8x19x2.0 Dark Rust		12	
11	YW64080600000	Hexagonal nut GB/T6170 M8		6	
10	YW60082500100	Hexagon head bolt GB/T3783 M8x25-12.9		6	
9	SICR-450U-F-04	Air inlet pipe flange		1	
8	SICR-450U-F-03	Cyclone air inlet flange		1	
7	SICR-450U-F-02	Dust collection flange		1	
6	YW64001600000	Hexagonal nut GB/T6170 M16		4	
5	YW65016200000	Standard spring washer GB/T93 16		4	
4	YW66163000000	Flat Washer Grade A GB/T97.1 16-Dark Rust		8	
3	YW60161000000	Hexagon head bolt GB/T3783 M16x100-12.9		4	
2	YW59518000000	Cup or bucket (material with F-ink high temperature resistant is 304L) (optional)		1	
1	SICR-450U-F-01	Cyclone dust collection bucket		1	
序号	代号	名称	材质	数量	备注

					制图	版号	0	标题	SICR-450U	图号	SICR-450U-F-ALL	比例	1:20	数量	1
					设计	核			旋风集尘器组件				材质	/	
					校对	准						表面要求	/		
标记	更改前	更改后	更改人	日期	审核	日期	2024.0813		信易电热机械股份有限公司	Shini Plastics Technologies, Inc.	物料号	/			



22	YW66061300000	Flat Washer Grade A GB/T97.1 6-Disk Rust	6	
21	YW65006000100	Standard spring washer GB/T93 6	6	
20	YW61061601200	Hexagon socket head screw GB/T70.1	6	
19	YW68005500000	Hexagon socket flat end set screw	1	
18	YW80081800100	L-type threaded joint PLS-01 1/8-1/8	1	
17	YW80010800000	Copper silencer 1/8 "	2	
16	YR20305000000	Rubber O-ring 30*5	1	
15	YW80061800000	Adjustable air pipe joint ASL6-1/8 ( )	1	
14	YE31322000100	Non-standard cylinder MBL32200-13226B	1	
13	YR60000600400	PV air pipe 1/6*1/4 black 200 meters/ro	1	
12	YW80061800200	L-type threaded joint AP16-01 1/8-1/8	3	
11	YE32421000300	Solenoid valve 4V210-06/DC24V Yadeke	1	
10	YW63042500000	Cross recessed pan head screw GB/T-818	2	
9	YW63040600000	Cross recessed pan head screw GB/T-818	2	
8	BL20380500020	Solenoid valve fixed plate SPV-38-ALL-05	1	
7	BW20001500810	Upper cover SPV-38-ALL-01 white (processed) (with mold)	1	
6	YR20258900000	Rubber O-ring 2.5*89 (outer diameter)	1	
5	BL90558200040	Diaphragm gasket 46*8, 2*2 SPV-38-ALL-04	1	
4	BR10608500040	Ringlip 11 * 1.1 * 1.1 (SPV-38-ALL-03) (exhausted) Silicone	1	
3	YW66082200100	Large washer C grade GB/T968 (8.4*24*2)	1	
2	YW64000800100	Non-metal insert hexagonal lock nut	1	
1	BW20001500910	Lower cover SPV-38-ALL-02 white (processed) (with mold)	1	

**Technical requirements:**

The pneumatic working pressure of the machine is 0.4-0.8MPa.

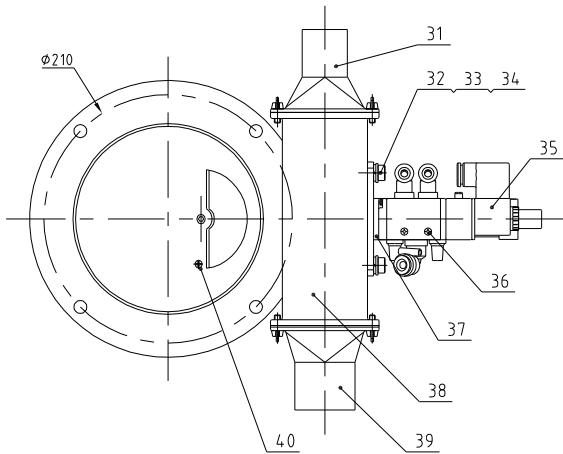
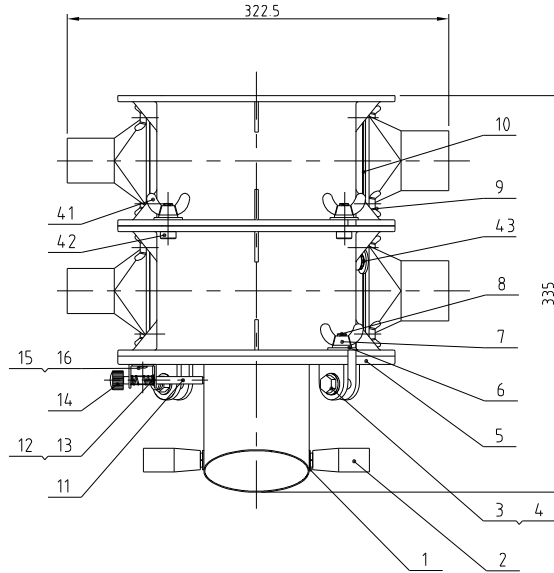
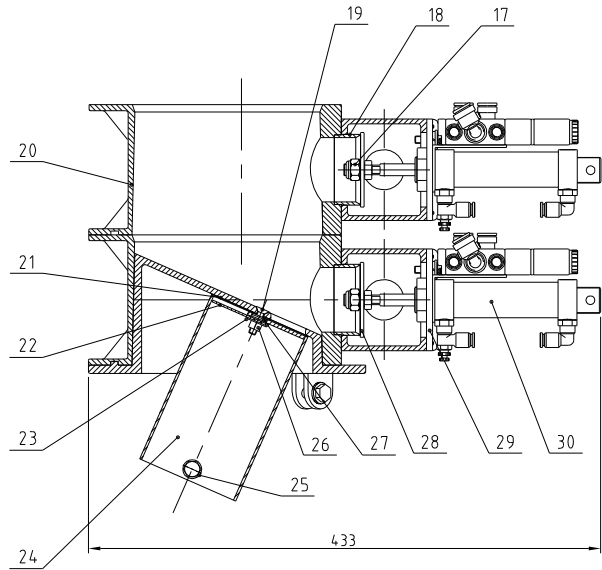
2. Number (2) requires the application of screw tightening agent during installation.

序号	代号	名称	材质	数量	备注
				1.4	数量 1
					材质 /
			表面要求		/
			物料号		/

					制图	版号	0	标题	SPDV-38	图号	SPDV-38-ALL-DC24V
					设计	核准			真空分离阀		
					校对						
标记	更改前	更改后	更改人	日期	审核	日期	20230320				



信易电热机械股份有限公司  
Shini Plastics Technologies, Inc.



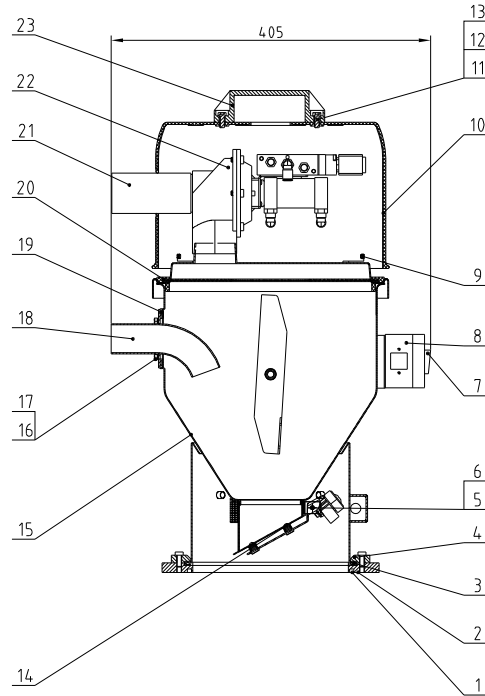
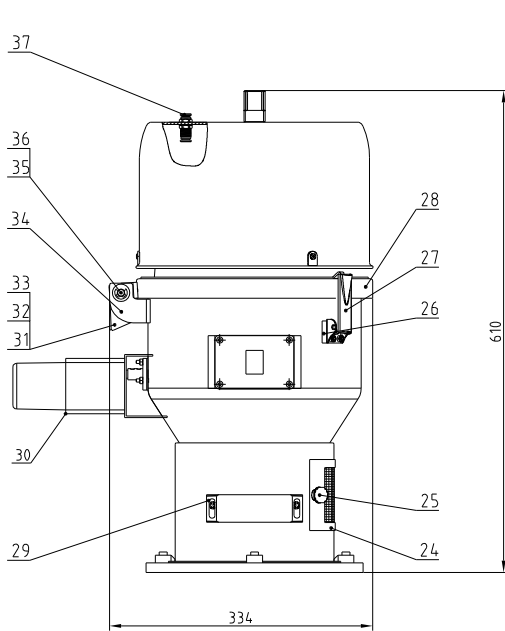
43	YW80802100200	Metal direct connector BPC802 PT1/4-8(Air TAC)		1
42	YW60082000200	Hexagon screw bolt GB/T5783 M8×20		4
41	YW69000800000	Butterfly nut GB/T 62 M8		4
40	YW69042000200	Cross socket pan head assembly screw GB/T 9074 L-M4×20-Longzine		2
39	BL90165000020	Suction port 2'SBU-160-50S-V-A-01(ver.B)has mould(Polishing)	YL112	2
38	BA20002030110	Cutting body (processed) SBU-160-38S-V-A-03 (with mould)	YL112	2
37	BL17160380020	Solenoid valve fixed block SBU-160-38S-V-A-10	SPCC2.0	2
36	YW63042500000	Cross recessed pan head screw GB/T-818 M4×25	Longzine	4
35	YE32421000300	Solenoid valve 4V210-06/DC24V Air TAC	Assembly	2
34	YW65006000100	Standard spring washer 6-Longzine		4
33	YW66061300000	Flat washer A grade 6-Longzine		4
32	YW61062501200	Inner hexagon cylinder screw GB/T70 1 M6×25-12.9-Longzine	4	4
31	BL90163800020	Suction port SBU-160-38S-V-A-05	YL112	2
30	YE31255000000	Cylinder MBL25×50-CA-PT(double action)	Assembly	2
29	BL19002002120	Cylinder fixed piece SBU-160-38S-V-A-11(SBU-20	SUS201	2
28	BL90160380020	Diaphragm 263×103 SBU-160-38S-V-A-19	SUS201	2
27	YW66061200000	Flat washer A grade GB/T97 1 616 4×12×1.6-A2-70(SUS)		2
26	YW64060401000	1-type all metal hex lock nut GB/T6184 M6-A2-70(SUS)		1
25	YW60081600100	Hexagon screw bolt GB/T5781 M8×16-4.8-Longzine		2
24	SICR-450U-H-02	Discharge port sleeve	SUS201	1
23	YW66061800000	Flat washer A grade GB/T96.16-Longzine		1
22	BL90160382020	Washer in the hopper SBU-160-38S-V-A-17	SUS201	1
21	BL90160382120	Hopper bottom washer SBU-160-38S-V-A-18	SUS201	1
20	SICR-450U-H-03	Upper collective barrel	YL112	1
19	YW61062500500	Inner hexagon countersunk head screw GB/T70 3 M6×25-A2-70(SUS)		1
18	BH32160380010	Shut-off port SBU-160-38S-V-A-09(SUS201)	SUS201	2
17	YW64101250000	Anti-loose nut M10 × 125 (fine teeth)	Assembly	2
16	YW62040500000	Large cross socket flat head screw JIS1111 M4×5	Longzine	2
15	BH11203800010	Positioning pin fixed base (SUS)SBU-160-38S-V-A-13-0 has mould	SUS201	1
14	YW69461600000	Hand screw M4×6×16		1
13	YW66000500000	E-type washer E5		1
12	YW01811900000	Carbon steel wire spring with a diameter of 8 × wire diameter 0.8×19.5(SBU-160-38S-V-A-14)	65Mn	1
11	BH10016000010	Pin SBU-160-38S-V-A-15(Q235) Ver.0	Q235	1
10	BL19002002420	Air supplement fender SBU-160-38S-V-A-07	SUS201	2
9	YW69051500000	Butterfly bolt GB/T 3098-M5×15		8
8	YW09051600100	Star screw 5/16(SBU-160-38S-V-22)		2
7	YW69051600000	Wing nut 5/16"		2
6	YW66081900000	Flat gasket 8x19x2.0 Longzine		6
5	SICR-450U-H-01	Discharge port body	YL112	1
4	YW64080600000	Hex. nut GB/T6170 M8-Longzine		2
3	YW60083000100	Hexagon screw bolt GB/T5783 M8×30-8.8-Longzine		2
2	YW06000100000	Blade rotating rod (stationary rod) handle	Plastics	2
1	YW66081900000	Flat washer 8x19x2.0 Longzine		2

序号	代号	名称	材质	数量	备注
	标题	SICR-450U			
	图号	SICR-450U-H-ALL			
		锥形式吸料盒			
			比例 1:4	数量 1	
			材质 /		
			表面要求	/	
			物料号	/	

\* means possible broken parts.  
 \*\* means easy broken part, and spare backup is suggested.  
 Please confirm the version of manual before placing the purchase order to guarantee that the item number of the spare part is in accordance with the real object.

制图	版号	0
设计	核准	
校对	日期	2024.08.13
标记	更改前	更改后
	更改人	日期





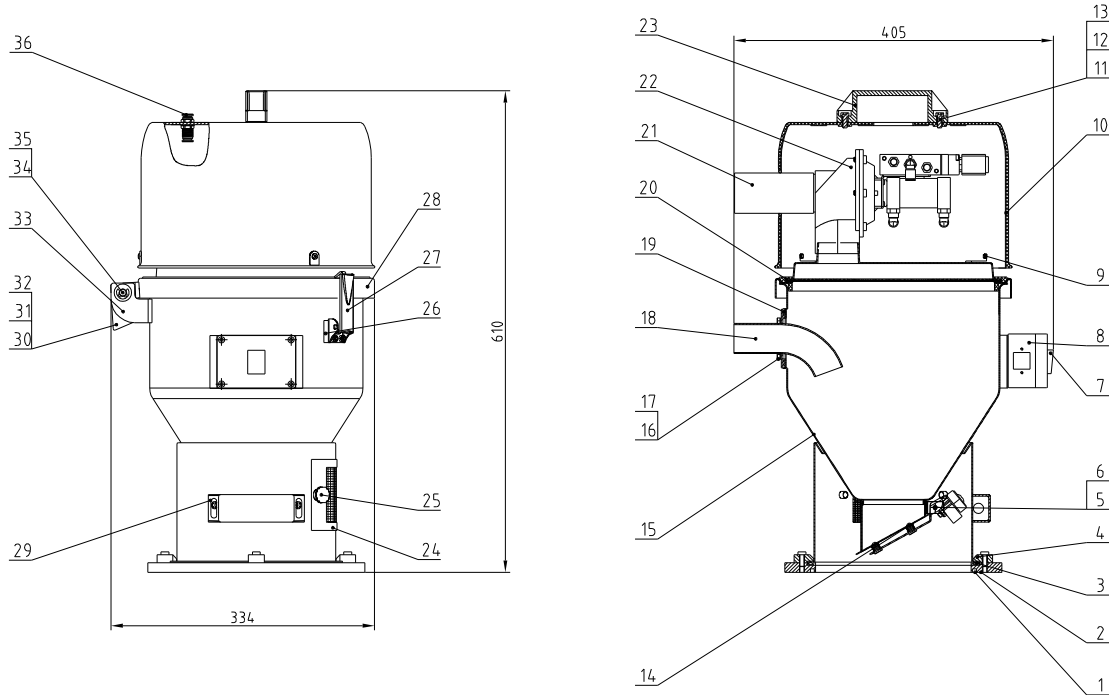
37	YW80000801500	Pin passes through the board directly		1	
36	YW66000600000	Open retaining ring Q2/7896 6	65Mn	2	
35	BH100006003110	Lower hinge SAL-6U-A-31 (SUS301)	SUS201	1	
34	BL32061200040	Lower hinge SAL-6U-12 (galvanized)	SPCC3.0	1	
33	YW64000500000	Hexagonal nut M5 anti-loosening		6	
32	YW66051000000	Flat Washer Grade A Q2/787.1 F-hat hex	100HV	6	
31	BL32061100040	Upper hinge SAL-6U-11 (galvanized)	SPCC3.0	1	
30	YM50512600000	Reducer 3/8"-10x1/2"-5/8"-6x3/16x1.5x2"		1	
29	SHR-12U-S-A-23	Sensor housing	SUS201	1	
28	SHR-12U-S-A-09	Hopper cover	Assembly	1	
27	YW02003000400	Adjustable snap lock SL-6U-A-55 (Ver.C)	Assembly	2	
26	YR40000600800	Spring backto plastic spacer SAL-6U	ABS	2	
25	YR40061500000	Star knob SAL-6U-02/M5*15	Assembly	2	
24	YR40000601000	Flat Washer Grade A Q2/787.1 F-hat hex not flat	Assembly	1	
23	BW20012000040	Aluminum square handle 12L black	YL112	1	
22	BY20382400050	Vacuum separation valve SPV-36 (24V)	Assembly	1	
21	SHR-12U-S-A-13	Air suction pipe	SUS201	1	
20	YR10121200300	Mixer and pipe SR-2U+P1 40x40x40x40	Assembly	1	
19	YR10061200000	Inlet pipe fastener SAL-6U-A-16	Rubber	1	
18	BL32000600020	SAL-6U-A-14 for feeding pipe SAL-360	SUS201	1	
17	YW64040700100	Non-metal insert hexagonal lock nut		10	
16	YW63031500000	Cross recessed pan head screw Q2/7-818		2	
15	SHR-12U-S-A-22	Storage barrel combination	Assembly	1	
14	BL21060600420	Blanking plate combination SR-6U-S-18		1	
13	YW61062000300	Hexagon socket head screw Q2/70L1		4	
12	YW65006000100	Standard spring washer Q2/783 6		12	
11	YW66061300000	Flat Washer Grade A Q2/787.1 F-hat hex		15	
10	BR40001200110	Motor cover SHR-12U-S-A-11	ABS	1	
9	YW62051000100	Cross recessed flat head screw JIS1111		3	
8	BH90615000010	Electric control box SR-6U-S-A-15	ABS	1	
7	YE10210400000	White alternating optich 1210-C5200P	Assembly	1	
6	YW64000300000	Anti-loosening nut M3		1	
5	YW63034000000	Cross recessed pan head screw Q2/7-818		1	
4	BW20000630500	Pressure block SAL-6U-A-13	YL112	4	
3	SHR-12U-S-A-16	The base is tight	EVA2.0	1	
2	BW121275100010	Installation base SAL-6U 275*197	YL112	1	
1	YR20205500000	Rubber O-ring inner diameter 200*6.5	Rubber	1	

Technical requirements:

1. Main performance parameters:

- a. The storage hopper has a capacity of 12L.
- b. Gas source: 4-6kgf/cm<sup>2</sup>.
- c. Voltage: Electromagnetic valve DC24V, deceleration motor voltage AC220V.

制图	版号	0	标题	SHR-12U-S	图号	SHR-12U-S-MB-ALL	比例	1:6	数量	1
设计	核准		欧化中央真空料斗					材质	组件	
校对	日期	2024.08.15	SHINI 信易电热机械股份有限公司		Shini Plastics Technologies, Inc.			表面要求	/	
标记	更改前	更改后	更改人	日期	审核	日期	物料号	/		



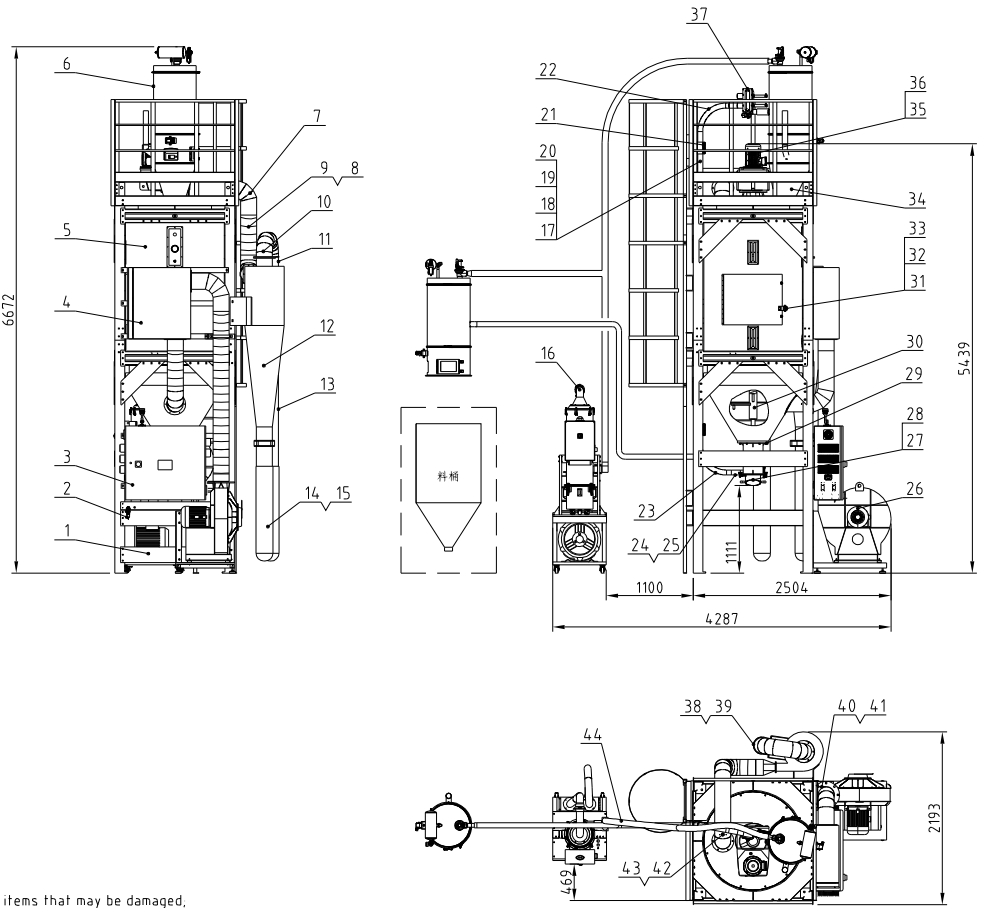
Technical requirements:

1. Main performance parameters:
  - a. The storage hopper has a capacity of 12L.
  - b. Gas source: 4-6kgf/cm<sup>2</sup>.
  - c. Voltage: DC24V.

36	YW80000801500	Pin passes through the board directly		1	
35	YW66000600000	Open retaining ring Q/1896 6	65Mn	2	
34	BH10006003110	Hinge pin SAL-6U-A-31(SUS301)	SUS201	1	
33	BL3206120004.0	Lower hinge SAL-6U-12 (galvanized)	SPCC3.0	1	
32	YW64.0005000000	Hexagonal nut M5 anti-loosening		6	
31	YW660510000000	Flat Washer Grade A Q/197.1 5-hk hex.	100HV	6	
30	BL3206110004.0	Upper hinge SAL-6U-11 (galvanized)	SPCC3.0	1	
29	YR4.0000601100	Non locking 20# steel plate 100mm flange pin nut	ABS	1	
28		Hopper cover	Assembly	1	
27	YW020030004.00	Adjustable spring handle SAL-6U-25(Ver.C)	Assembly	2	
26	YR4.0000600800	Spring handle plastic spacer SAL-6U	ABS	2	
25	YR4.0061500000	Star handle SAL-6U-02/M6*15	Assembly	2	
24	YR4.0000601000	Flange nut 20# steel 100mm flange pin nut	Assembly	1	
23	BW2001200004.0	Aluminum square handle 120L black	YL112	1	
22	BY203824.00050	Vacuum separation valve SPV-30 (200C)	Assembly	1	
21		Air suction pipe	SUS201	1	
20	YR10121200300	Micro metal pin 20# steel 100mm flange pin nut	Assembly	1	
19	YR10061200000	Inlet pipe fastener SAL-6U-A-16	Rubber	1	
18	BL32000600020	Inlet pipe SAL-6U-14 for feeding pipe SAL-30	SUS201	1	
17	YW64.04.0700100	Non-metal insert hexagonal lock nut		10	
16	YW63031500000	Cross recessed pan head screw Q/T-818		2	
15		Storage hopper welding part SAL-12U-5-A-14	Assembly	1	
14	BL210606004.20	Blanking plate combination SR-6U-5-A-18		1	
13	YW61062000300	Hexagon socket head screw Q/770.1		4	
12	YW65006000100	Standard spring washer Q/193 6		12	
11	YW660613000000	Flat Washer Grade A Q/197.1 5-hk hex.		15	
10	BR4.0001200110	Motor cover SR-12U-5-A-11	ABS	1	
9	YW62051000100	Cross recessed flat head screw JIS1111		3	
8	BH90615000010	Electric control box SR-6U-5-A-15	ABS	1	
7	YE102104.000000	White alternating optical 1210-52100P	Assembly	1	
6	YW64.0003000000	Anti-loosening nut M3		1	
5	YW63034.0000000	Cross recessed pan head screw Q/T-818		1	
4	BW20000630500	Pressure block SAL-6U-A-13	YL112	4	
3		Base forced tight	EVA2.0	1	
2	BW21275100010	Installation base SAL-6U 275*197	YL112□	1	
1	YR20205500000	Rubber O-ring inner diameter 200*6.5	Rubber	1	

序号	代号	名称	材质	数量	备注
		标题 SHR-12U-S	比例 1:6	数量 1	
		图号 SHR-12U-S-A-ALL	材质 组件		
		设计	表面要求	/	
		校对	物料号	/	
标记	更改前	更改后	更改人	日期	审核
				2014.09.23	





风机功率 Blower Power	加热器功率 Heater Power	喂料电机功率 Feeding Motor Power	料桶容量 Model Ver.
7.5KW	96KW	2.2KW	Ver. A
进料风管径 Inlet and Discharge Air Pipe Dia.	原料口径 Discharge Port Dia.	喂料电机转速 Feeding Motor Rotator Speed	料桶容量 Hopper Capacity
8inch	10inch	4.3r/min	1600L

44	YR60253000000	Steel wire mesh 4.6 x 0.5 - 4mm x 0.6 - 100mesh Temperature resistance 100 degrees	10M	
43	SICR-1600U-ALL-04	Air outlet elbow	SUS201	1
42	SICR-1600U-ALL-10	Air vent mesh plate		1
41	SICR-1600U-ALL-07	Pipe fixing bracket 1		1
40	SICR-1600U-ALL-09	Fixed piece for piping		2
39	YR10008000000	White silicone flange tightening 8 inches length model		2
38	SICR-1600U-ALL-13	8" Stainless steel clamp		2
37	SICR-1600U-I-ALL	Proportional valve assembly		1
36	YW61165500000	Hexagon socket head cap screw GB/T 70.1 M16x55-12.9-Longzine		8
35	YM50738200000	Gear motor 5473ZAF4BH V1.2-1000/7.5-3x330V/60/50HZ		1
34	SICR-1600U-ALL-05	Hopper adapter flange		1
33	YE16440200150	Magnetic safety door switch 4.5kg ZNPS18 American ABB with a wire length of 3M		1
32	SICR-1600U-ALL-17	Fusing plate for safety switch right	SUS201	1
31	SICR-1600U-ALL-14	Fusing plate for safety switch left	SUS201	1
30	SICR-1600U-F-ALL	Mixing assembly		1
29	SICR-1600U-ALL-08	Discharge port fastener		1
28	YW60103000200	Hexagon bolt GB/T1583 M10x30-12.9-Longzine		6
27	SICR-1600U-H-ALL	Suction box assembly		1
26	SICR-1600U-B-ALL	blower frame assembly		1
25	YW02000300000	Stainless steel tube bundle 3-inch 150MM tube bundle head/tube bundle belt material SUS304		6
24	YR60253000000	Steel wire mesh 4.6 x 0.5 - 4mm x 0.6 - 100mesh Temperature resistance 100 degrees	0.4M	
23	SICR-1600U-ALL-02	Circular suction elbow 1	SUS201	1
22	SICR-1600U-ALL-03	Circular suction elbow 2	SUS201	1
21	BY60251500110	316 stainless alloy connector 1.5150MM with small inner diameter 52.0P-75-64-ALL		3
20	BW72679100100	Insulation and heat resistant air duct 500-800U-ALL-02 inner diameter 49MM length 150MM (species A)		1
19	BW72671700100	Insulation and heat resistant air duct 500-800U-ALL-01 inner diameter 49MM length 150MM (species A)		1
18	BW72675800100	Insulation and heat resistant air duct with outer diameter of 8 inch and length of 150mm SICR-1600U-ALL-03 (species B)		1
17	SICR-1600U-ALL-01	Circulating suction pipe	SUS201	1
16	CG61203400350	Vacuum generator SVG-20HP-D-C-3x/400V/50HZ(Ver D)		1
15	YW02200200100	Heat resistant filter bag (name specifications: 4-01000-SUS304) heat, strong buckle (species steel plate) 2000L		2
14	YP82215100100	Filter bag 215X1200MM		2
13	SICR-1600U-ALL-12	Bag piping 1	SUS201	1
12	SICR-1600U-C-ALL	Cyclone dust collector assembly		1
11	SICR-1600U-ALL-16	Bag piping 1	SUS201	1
10	SICR-1600U-ALL-11	Connection elbow	SUS201	1
9	YW02008500000	Insulation and heat resistant air duct 500-800U-ALL-01 inner diameter 49MM length 150MM (species A)		12
8	YW72080400000	Heat resistant air duct 8-inch double-layer red 4 meters per piece		2
7	SICR-1600U-ALL-15	Air outlet piping	SUS201	1
6	BY20602400350	Vacuum powder hopper SHP-P-60U-DC24V176A-E3M(Ver D)		1
5	SICR-1600U-A-ALL	Storage tank assembly		1
4	SICR-1600U-E-ALL	Heating case		1
3	SICR-1600U-G-ALL	Control box assembly		1
2	YE30200020000	Filter pressure regulating valve AFR-2000		1
1	SICR-1600U-D-ALL	Foot frame guardrail ladder assembly		1

"\*"Indicates the items that may be damaged.  
 "\*\*" indicates the items that are more likely to be damaged.  
 It is recommended to back them up.  
 Please confirm the version number of the instruction manual before placing an order to purchase spare parts, so as to ensure that the material number of spare parts is consistent with the physical one.

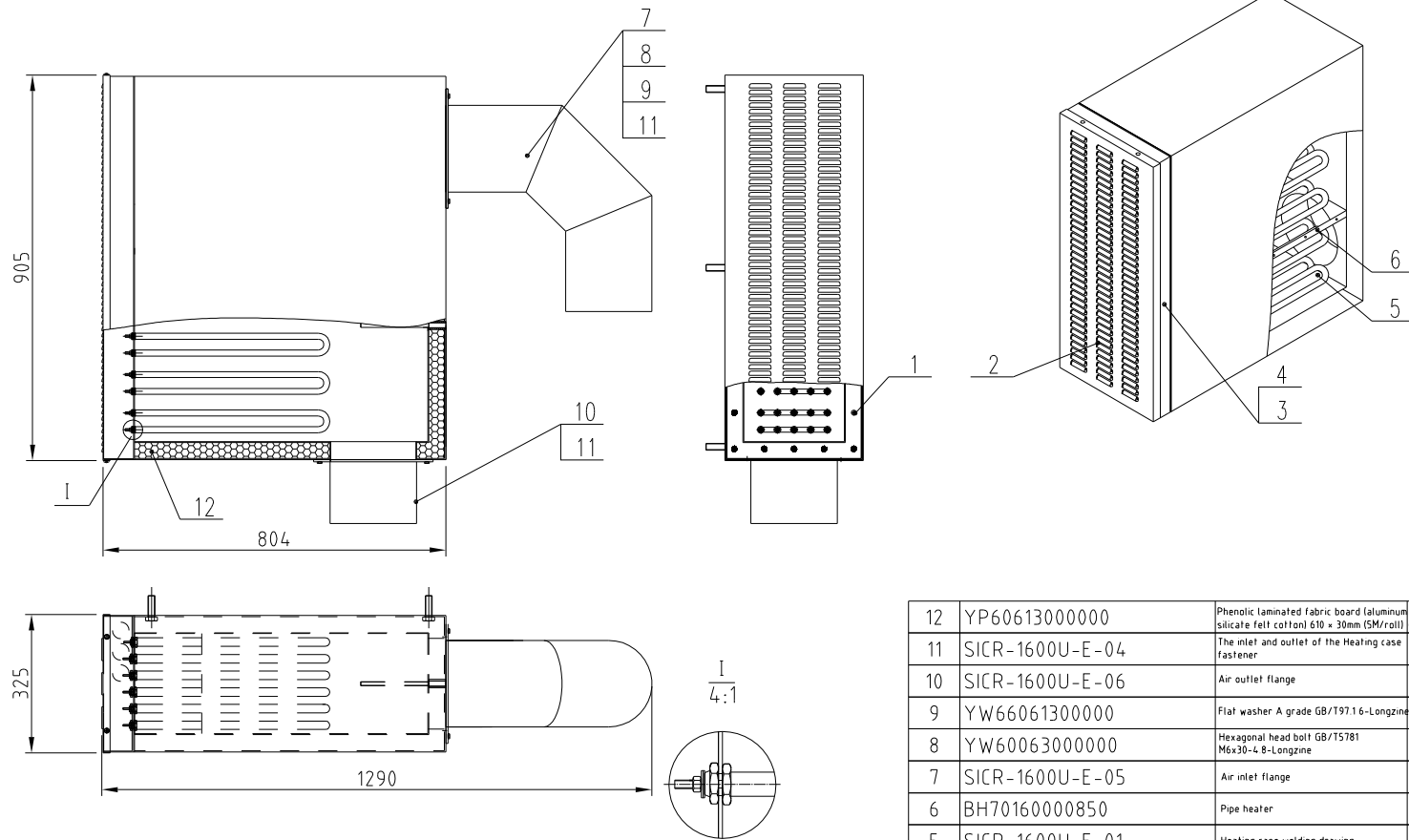
•表示可能损坏的项目; ••表示较可能损坏的项目, 建议备份。  
 请在下单采购零配件之前, 先确认说明书版本号, 以确保零配件物料号与实物一致。

序号	代号	名称	材质	数量	备注
			比例 1:60	数量 1	
			材质 /		
			表面要求 /		
			物料号 /		

制图	版号	0	标题	SICR-1600U	图号	SICR-1600U-ALL
设计	核准		标题	结晶送料机		
校对	日期	20231108				
标记	更改前	更改后	更改人	日期	审核	

**SHINI** 信易电热机械股份有限公司  
 Shini Plastics Technologies, Inc.



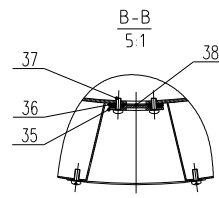
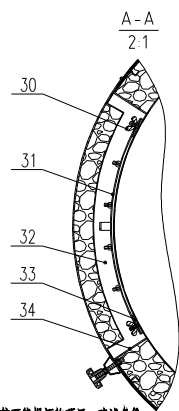
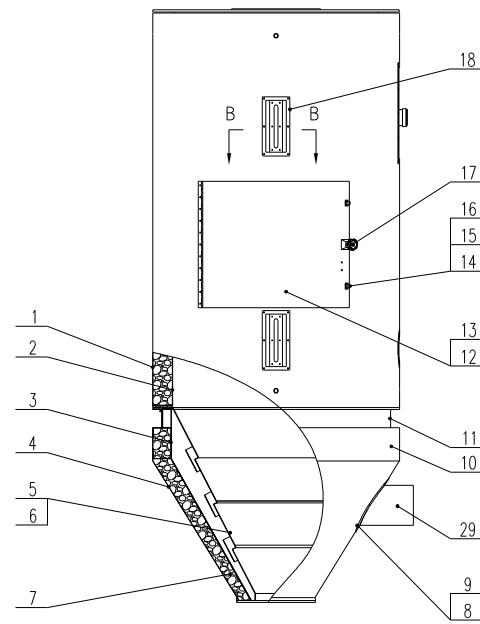
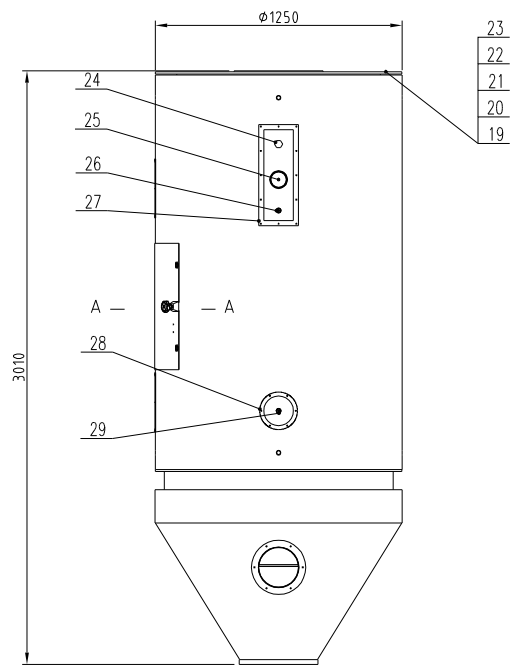


12	YP60613000000	Phenolic laminated fabric board (aluminum silicate felt cotton) 610 × 30mm (SM/roll)	Aluminum silicate felt cotton	5.2KG	
11	SICR-1600U-E-04	The inlet and outlet of the Heating case fastener	white silica gel	2	
10	SICR-1600U-E-06	Air outlet flange	SUS201	1	
9	YW66061300000	Flat washer A grade GB/T97.1.6-Longzine		8	
8	YW60063000000	Hexagonal head bolt GB/T5781 M6x30-4.8-Longzine		8	
7	SICR-1600U-E-05	Air inlet flange	SUS201	1	1
6	BH70160000850	Pipe heater	Assembly	1	96KW
5	SICR-1600U-E-01	Heating case welding drawing	Assembly	1	
4	SICR-1600U-E-02	Heating case silica gel fastener	white silica gel	1	
3	BL11160015820	pipe heat mounting plate	SECC2.5	1	
2	SICR-1600U-E-03	Electric heater cover plate	SPCC1.5	1	
1	YW62061500000	Cross Recessed large flat head screw JIS1111 M6x15 Longzine		32	
序号	代号	名称	材质	数量	备注

					制图	版号	0	标题	SICR-1600U	图号	SICR-1600U-E-ALL	比例	1:15	数量	1
					设计	核准			加热箱组件				材质	/	
					校对							表面要求	/		
标记	更改前	更改后	更改人	日期	审核	日期	20230703					物料号	/		



信易電熱機械股份有限公司  
Shini Plastics Technologies, Inc.

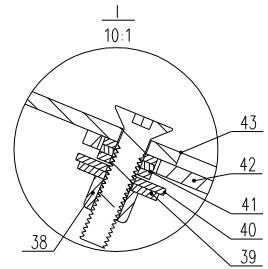
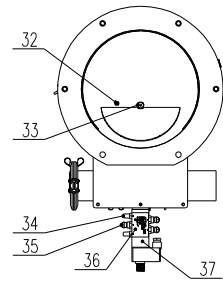
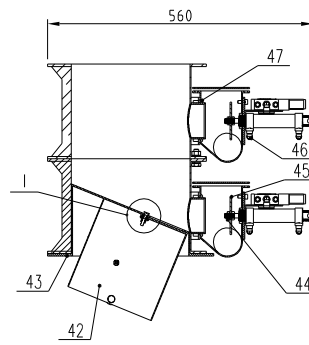
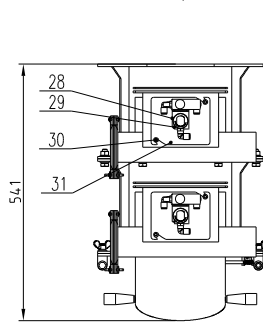
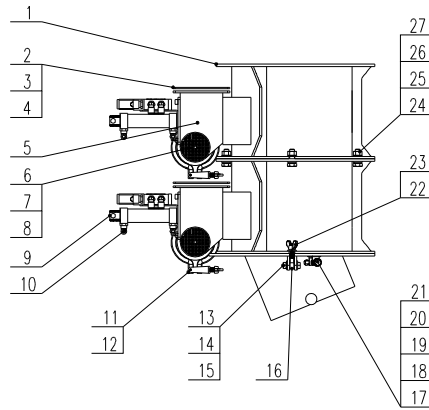
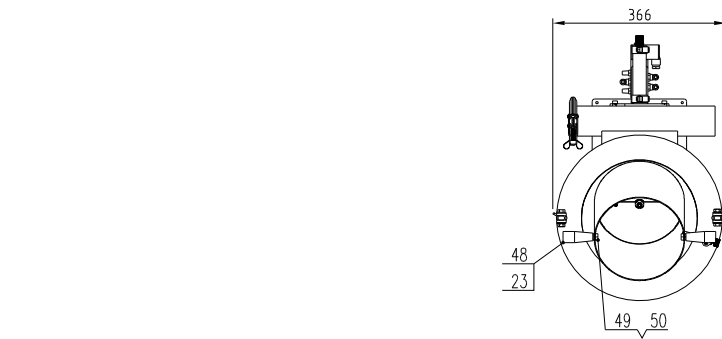


38	YW70000100000	Reinforced glass six hole (with mold SHD-1590U-A-B)	Reinforced glass	2	*
37	YW63051500000	Cross recessed pan head screw GB/T 818 M5x10-Longene		12	
36	YR40000600000	Sight-glass fastener six hole (has mould SHD-12-A-11Ver.0)		2	
35	BW09000630040	Sight-glass six hole (chrome plated) SHD-12-A-16 (blowing version 0)	SPCC2.5	2	
34	SICR-1600U-A-17	Cleaning door cover plate 2	Aluminum plate with patterns 1.0	1	
33	SICR-1600U-A-07	Clean door frame cover plate 1	Aluminum plate with patterns 1.0	1	
32	SICR-1600U-A-18	Cleaning door fastener	Foamed red silica gel	1	
31	SICR-1600U-A-12	Cleaning door baffle	SUS201(2.5)	1	
30	YW69000800000	Butterfly nut GB/T 62 MB		18	
29	BE90600000050	Thermocouple S-K31-MB-SM (SCR-450U-ALL-17 Ver.0)		2	
28	SICR-1600U-A-15	Thermocouple flange	SUS201	1	
27	SICR-1600U-A-13	level sensor flange	SUS201(1.5)	1	
26	YE90059301500	Thermocouple S-K31-MB-SM (SHD-1590U-A-07) (outer ver. A)	Assembly	1	
25	YE15802000600	Rotary level sensor switch SR-80-T 200 degree AC24V		1	
24	BH12901620010	Level sensor plug	H58	1	
23	YW65012000000	Standard spring washer GB/T 93 12-Longene		24	
22	YW66122400000	Flat washer A grade GB/T 97.1 12-Longene		24	
21	YW61123500000	Inner hex column head screw GB/T 70.1 M12x35-12.9-L-Longene		24	
20	YR10010040100	Oven silicone fastener D-type 2 0mm		16	
19	SICR-1600U-A-02	Hopper cover	Assembly	1	
18	SICR-1600U-A-16	sight-glass inner frame	SUS201(1.5)	2	
17	BH10150001310	Big alum blossom combination M10x75	Assembly	1	
16	YW62051000100	Large cross socket flat head screw JIS1111 M5x10-Longene		4	
15	SICR-1600U-A-19	Hook pin		2	
14	BL02090007820	Door buckle assembly	Assembly	2	
13	SICR-1600U-A-06	Cleaning door outer plate		1	
12	SICR-1600U-A-05	Cleaning door	Assembly	1	
11	SICR-1600U-A-11	Hopper outer plate 3	Aluminum plate with patterns 1.0	1	
10	SICR-1600U-A-10	Hopper outer plate 2	Aluminum plate with patterns 1.0	1	
9	YW67481900000	Cross socket head tapping screw GB/T 15880.1 5.1x6-Longene		26	
8	SICR-1600U-A-14	Hopper inlet pipe flange	SUS201(1.5)	1	
7	YP60501500000	Epoxy glass laminate wood	Assembly	1	
6	YW61081000000	Hexagon socket countersunk head screw GB/T 70.3 MB40-12.5-Longene		8	
5	SICR-1600U-A-04	Inner hopper	Assembly	1	
4	SICR-1600U-A-09	Hopper outer plate 1	Aluminum plate with patterns 1.0	1	
3	SICR-1600U-A-03	External hopper	Assembly	1	
2	SICR-1600U-A-01	Material storage tank	Assembly	1	
1	SICR-1600U-A-08	Material storage tank skin plating	Aluminum plate with patterns 1.0	1	

\*表示可能损坏的项目；\*\*表示较可能损坏的项目，建议备件。  
 请在下单采购零件之前，先确认说明书版本号，以确保零件物料号与实物一致。  
 "- " indicates the items that may be damaged.  
 "- \* " indicates the items that are more likely to be damaged.  
 It is recommended to back them up.  
 Please confirm the version number of the instruction manual before placing an order to purchase spare parts, so as to ensure that the material number of spare parts is consistent with the physical one.

制图	版号	0	标题	SICR-1600U	图号	SICR-1600U-A-ALL	比例	1:24	数量	1
设计	核准		材料	储料桶组件						
校对	日期	20230627	表面要求							
审核	日期	20230627	物料号							

**SHINI** 信易电热机械股份有限公司  
 Shini Plastics Technologies, Inc.

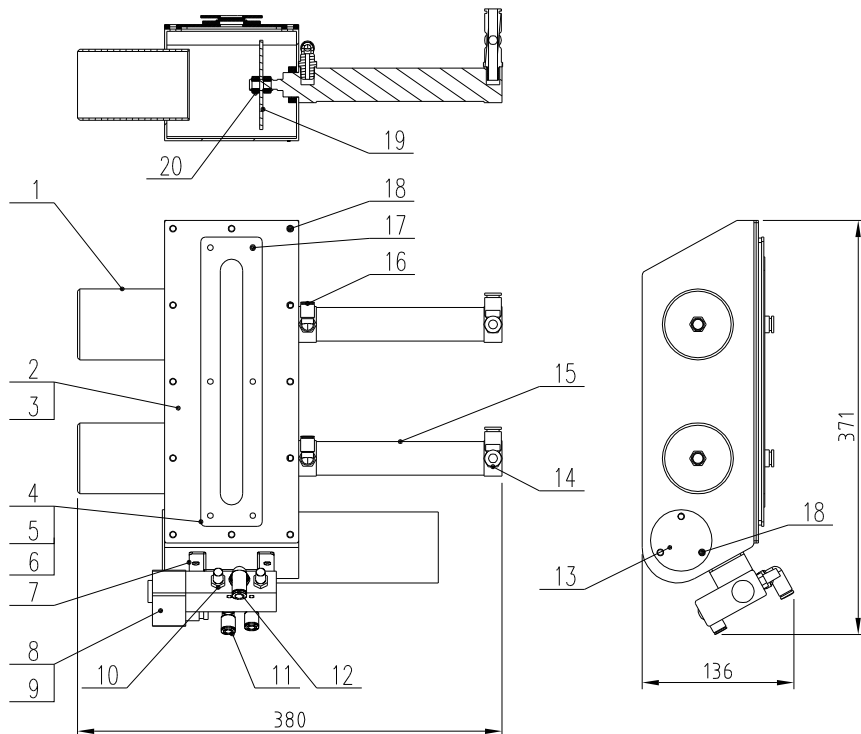


50	YW66081600000	Flat washer A grade GB/T191 8.6x16x1.6 Longzine		4
49	YW60081600100	Hex bolt GB/T5781 M8x10-4.8-Longzine		2

制图	版号	0	标题	SICR-1600U	图号	SICR-1600U-H-ALL	比例	1:10	数量	1
设计	核准		原料盒组件				表面要求		/	
校对	日期	20231012	<b>SHINI</b>	信易电热机械股份有限公司 Shini Plastics Technologies, Inc.		物料号	/			
标记	更改前	更改后	更改人	日期	审核	日期				

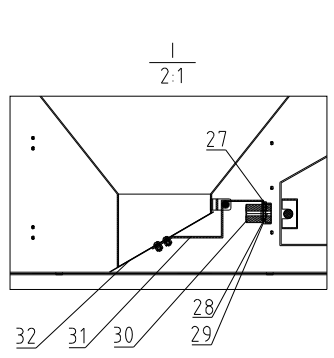
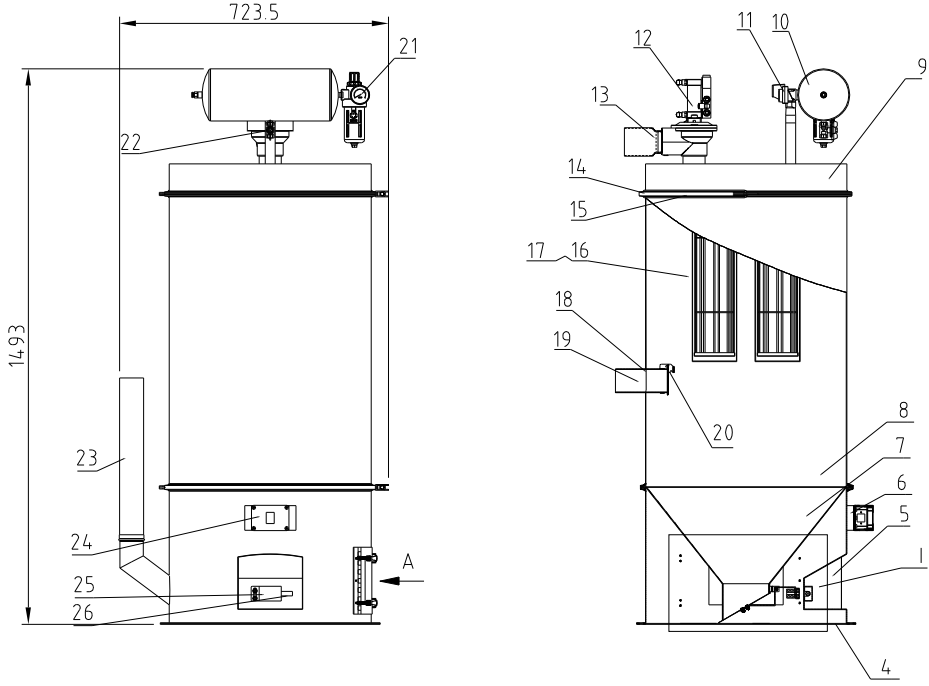
48	YW6000100000	Blade rotating rod (without rod handle)		2
47	YW61061600000	Inner hex column head screw GB/T170 1 M6x16-A2-70(SUS)		8
46	YW80061800000	Adjustable air pipe connector ASL6-1/8(10 Pieces/pack)	SUS201	2
45	SICR-1600U-I-05	Diaphragm	SUS201	2
44	YW64101250000	Anti-loosening nut M10 x 1.25 (fine thread)	SUS201	2
43	SICR-1600U-H-08	Discharge port body	SUS201	1
42	SICR-1600U-H-10	Discharge port sleeve	SUS201	1
41	YW66061200000	Flat washer A grade GB/T191 8.6x12x1.6(A2-70(SUS))	SUS201	3
40	SICR-1600U-H-09	Locating plate	SUS201	1
39	YW66061800000	Flat washer A grade GB/T196 16 Longzine		1
38	YW64060401000	I-type all metal hex lock nut GB/T6184 M6-A2-70(SUS)		1
37	YE32421000300	Solenoid valve 4V210-06/DC24V (Air TAC)		2
36	YW63043500000	Cross recessed pan head screw GB/T-818 M4x35-Longzine		4
35	YW80061800200	L-type screw connector AP16-0 1/8-0.6 (Air TAC)10 Pieces/pack		6
34	YW80010800000	Copper silencer 1/8" (has mould)		4
33	YW61062500500	Inner hexagon countersunk head screw GB/T170 3 M6x25-A2-70(SUS)		1
32	YW63041200100	Cross recessed pan head screw GB/T-818 M4x12-Longzine		1
31	SICR-1600U-H-07	Cylinder fixed plate		2
30	YW61061600000	Inner hexagon cylinder screw GB/T170 1 M6x16-A2-70(SUS)		4
29	YW63030600000	Cross recessed pan head screw GB/T-823 M3x6-Longzine		2
28	BL90203801120	Solenoid valve fixed block		2
27	YW64001000100	Hexagon nut GB/T6170 M10-Longzine		6
26	YW65010000000	Standard spring washer GB/T193 10-Longzine		6
25	YW66102000100	Flat washer A grade GB/T191 10(11x20x2)-Longzine		12
24	YW60103000200	Hexagon bolt GB/T5783 M10-20-12-Longzine		6
23	YW65008000100	Standard spring washer GB/T193 8-Longzine		10
22	YW69051600000	Butterfly nut 5/16"		2
21	YW63040600000	Cross recessed pan head screw GB/T-818 M4x6-Longzine		2
20	SICR-1600U-H-11	Positioning pin fixed base		1
19	YW01811900000	Carbon steel wire spring with a pitch diameter of 0.4 and diameter of 0.4-1.5 (800-80-100-V-A-1)		1
18	BH10016000010	Pin SBU-160-385-V-A-15(10235) Ver 0		1
17	YW69461600000	Hand screw M6x6x16		1
16	YW09051600100	Plum screw 5/16(SBU-160-385-V-22)		2
15	YW64080600000	Hexagon nut GB/T6170 M8-Longzine		2
14	YW66081900000	Flat washer 8x19x2.0 Longzine		6
13	YW60083500000	Hexagon bolt GB/T5781 M8x35-4.8-Longzine		2
12	YR20002500300	Stainless steel spring clamp 25mm diameter 75 pieces/pack (has inner diameter sealing ring 75 inner diameter 66 - thickness 1.6)		2
11	YW07002501600	Stainless steel clamping clamp 25mm (DUST) with stainless bearing inner diameter of 17		2
10	YW800081800100	L-shaped threaded joint PL8-01 1/8-Ø 8 (Yadekel) 10 pieces/pack		4
9	YE31256500000	Cylinder MBL25 x 65U (Air TAC)		2
8	YW62061000000	Cross recessed large flat head screw JIS1111 M6x10- Dacron rust		2
7	SICR-1600U-H-06	Air supply plate	SUS201	2
6	SICR-1600U-H-04	Air supply mesh plate	SUS304	2
5	SICR-1600U-H-02	Shut-off body	SUS201	2
4	YW60051500000	Hex bolt GB/T5783 M5x15-A2-70(SUS)		12
3	SICR-1600U-H-03	Collective barrel fastener	white silica gel	2
2	SICR-1600U-H-05	Collective barrel cover plate	SUS201	2
1	SICR-1600U-H-01	Collective barrel	SUS201	2

序号	代号	名称	材质	数量	备注



20	YW64101100000	Hexagon nut M10 anti loosening (thickness 1mm)		2	
19	SICR-1600U-I-05	Diaphragm	SUS201	2	
18	YW61051000200	Cross recessed pan head screws - Type H GB/T818 M5x10-Longzine		15	
17	YW62052000000	Cross recessed large flat head screw JIS1111 M5x20-Longzine		6	
16	YW80061800000	Adjustable air pipe connector ASL6-1/8(10 pcs/pack)		2	
15	YE31258000000	Cylinder MBL25x80-U(AIRTAC)JSCSF-300-B-10		2	
14	YW80601800000	T-branch thread 3-way connector APD6-01 1/8-#6(Air TAC)10 pcs/pack		2	
13	SICR-1600U-I-04	Sealing plate	SUS201	1	
12	YW80061800200	L screw connector APL6-01 1/8-#6(Air TAC)10 pcs/pack		2	
11	YW80081800100	L screw connector PL8-01 1/8-#8(Air TAC)10 pcs/pack		1	
10	YW80010800000	Copper silencer 1/8" (has mould)		2	
9	YW63043500000	Cross recessed pan head screw GB/T-818 M4x35-Longzine		2	
8	YE32421000300	Solenoid valve 4V210-06/DC24V Air TAC		1	
7	SICR-1600U-I-03	Solenoid valve fixed plate	SUS201	1	
6	YW70000100000	Reinforced glass six hole (with mold) SHD-1500U-A-82		1	
5	YR40000600000	Sight glass fastener six holes (with mold) SEHD-12-A-11 (version 0)	white silical gel	1	
4	SICR-1600U-I-07	Sight glass	SUS201	1	
3	SICR-1600U-I-06	Valve body fastener	white silical gel	1	
2	SICR-1600U-I-02	Valve body cover plate	SUS201	1	
1	SICR-1600U-I-01	Valve body	SUS201	1	
序号	代号	名称	材质	数量	备注

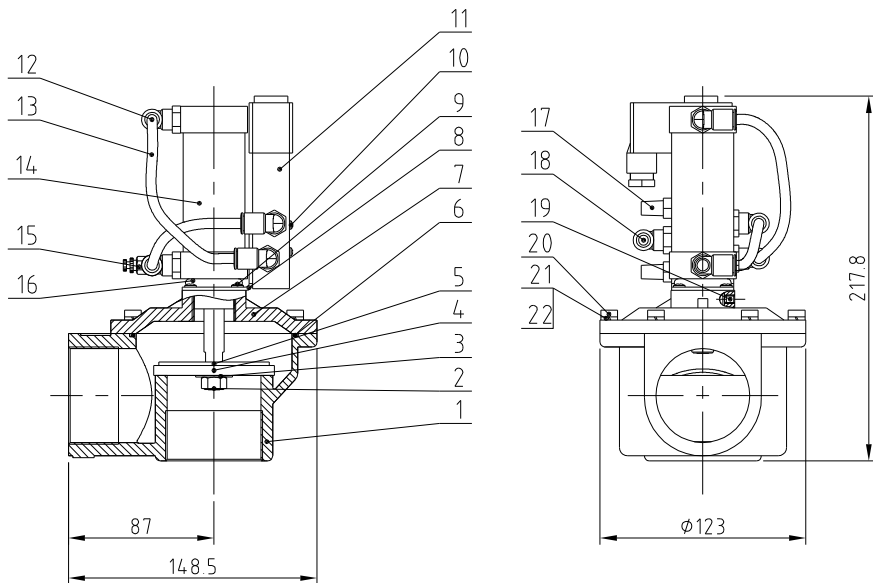
					制图	版号	0	标题	SICR-1600U	图号	SICR-1600U-I-ALL	比例	1:6	数量	1
					设计	核		比例	比例阀组件				材质	/	
					校对	准		<b>信易電熱機械股份有限公司</b> <b>Shini Plastics Technologies, Inc.</b>				表面要求	/		
标记	更改前	更改后	更改人	日期	审核	日期	20230703						物料号	/	



●表示可能损坏的项目；◆表示较可能损坏的项目，建议备件。  
请在下单采购零件之前，先确认型号与尺寸，以确保零件规格号与实际一致。  
\*-\* Indicates the items that may be damaged.  
\*◆\* indicates the items that are more likely to be damaged.  
It is recommended to back them up.  
Please confirm the version number of the instruction manual before placing an order to purchase spare parts, so as to ensure that the material number of spare parts is consistent with the physical one.

32	SHR-P-60U-ALL-11	Discharging plate		1	
31	SHR-P-60U-ALL-10	Discharging plate fixed block		1	
30	SHR-P-60U-ALL-12	Counterweight block		1	
29	SAL-6U-A-19	Magnetic sleeve		1	Borrowed
28	SAL-6U-A-07	Magnetic cover		1	Borrowed
27	YW90257700000	Permanent magnet 25×7×7		1	
26	YE15120500000	reed switch FC-12V (FOTEK) No crystal head		1	
25	SHR-P-30U-ALL-15	Sensor housing		1	
24	YR40010000200	Waterproof junction box WDJH-100 plastic		1	
23	BP82774800044	Filter bag SHR-P-90U-A-03 Ver 0 #77×480mm One end sealing			※
22	YY60001430000	1/4" Butterfly ball valve		1	
21	YE30200020000	Pressure regulating filter		1	
20	SHR-P-90U-ALL-09	2.5" Back stop		1	Borrowed
19	SHR-P-90U-ALL-06	Inlet pipe fastener		1	
18	SHR-P-60U-ALL-17	Inlet pipe		1	
17	BP82124500010	120 × 450 organic silicon treatment for dust removal filter bag framework		6	
16	BP82124500510	Dust removal filter bag 120 × 450 (flower board 120), accuracy 5 ± M		6	
15	SHR-P-60U-ALL-03	Filter flange		1	
14	SHR-P-60U-ALL-15	Barrel hoop		2	
13	SHR-P-60U-ALL-18	Air inlet pipe connector		1	
12	BY20502400050	Vacuum Separator SPDV-50(24VDC)		1	
11	YE30020000100	Diaphragm valve RMF-Z-20(G3/4"24VDC)		1	
10	SHR-P-60U-ALL-06	Accumulator		1	
9	SHR-P-60U-ALL-05	Barrel cover assembly		1	
8	SHR-P-60U-ALL-02	Barrel		1	
7	SHR-P-60U-ALL-04	Barrel cone assembly		1	
6	SHR-6U-S-A-05	Control box base		1	Borrowed
5	SHR-P-60U-ALL-01	Can-body components		1	
4	SHR-P-60U-ALL-13	Lower flange fastener		1	
3	YP82050000000	Filter cloth		1	※
2	SHR-P-60U-ALL-14	Air vent window		1	
1	YW02003000400	Adjustable snap hook		2	

					制图		版号	0	标题	SHR-P-60U	图号	SHR-P-60U-DC24V	比例	1:18	数量	1
					设计		核准		装配图			SHR-P-60U-DC24V (76A+63M)		材质		
					校对					信易電熱機械股份有限公司		表面要求				
标记	更改前	更改后	更改人	日期	审核		日期	20230907		Shini Plastics Technologies, Inc.		物料号				

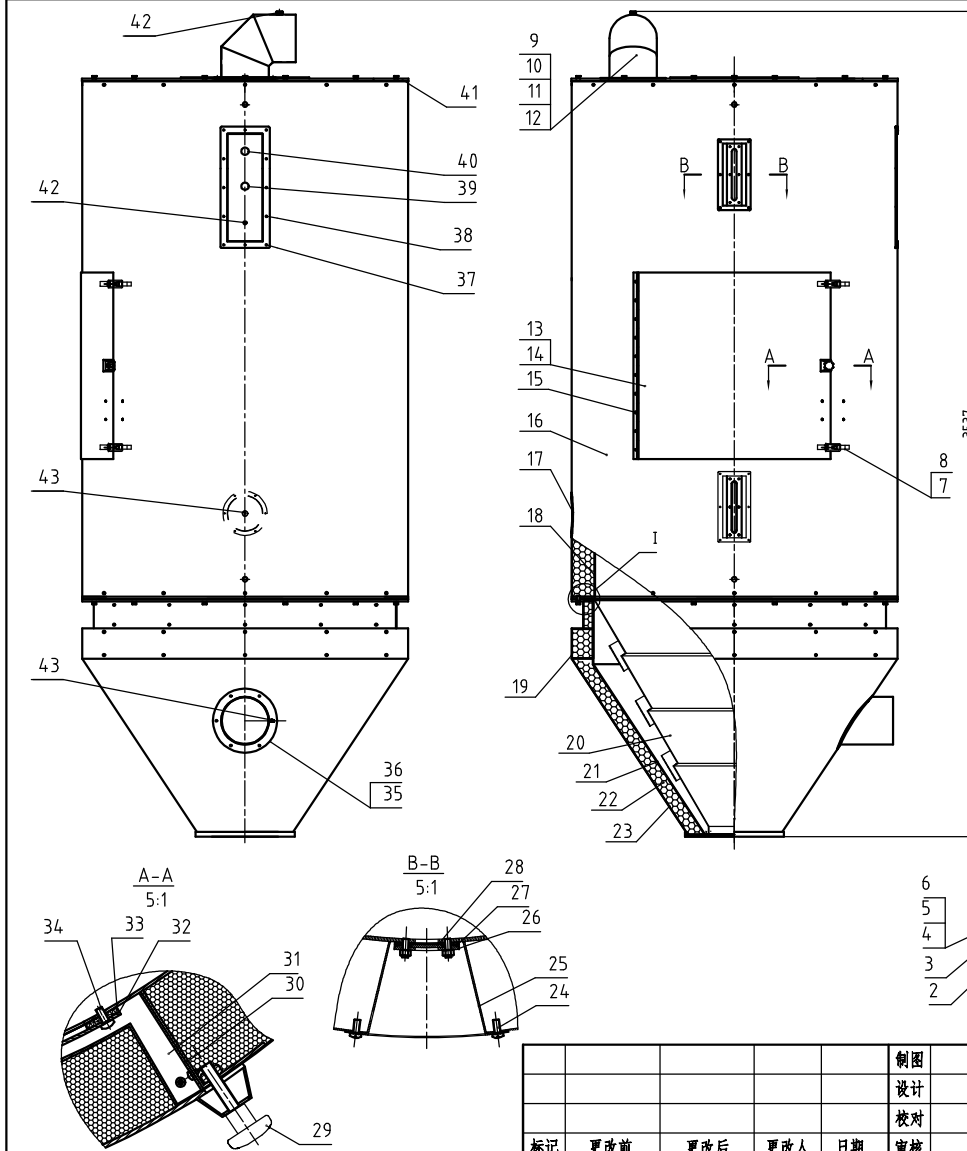


22	YW66061300000	Flat washer A grade GB/T9716-Longzine		6	
21	YW65006000100	Standard spring washer GB/T936-Longzine		6	
20	YW61062000300	Inner hexagon cylindrical screw GB/T70.1M6x20-12.9-Longzine		6	
19	YW68005500000	Inner hex flat end lock screw GB/T77 M5x5-Longzine		1	
18	YW80081800100	L thread connector PL8-01 1/8-Φ8(Air TAC)10 pcs/pack		1	
17	YW80010800000	Copper silencer 1/8" (has mould)		2	
16	YR20305000000	Rubber O-ring 30x5		1	
15	YW80061800000	Adjustable air pipe connector ASL6-1/8(10 pcs/pack)		1	
14	YE31323300000	Cylinder 32 x 33 double acting 2" For diaphragm valves MBL32x33U-DG259B-M8 thread length 21mm		1	
13	YR60000600400	PU air pipe Φ6 x Φ4 black 200 meters/roll		0.3	
12	YW80061800200	L thread connector APL6-01 1/8-Φ6(Air TAC)10 pcs/pack		3	
11	YE32421000300	Solenoid valve 4V210-06/DC24V Air TAC		1	
10	YW63042500000	Cross recessed pan head screw GB/T-818 M4x25-Longzine		2	
9	YW63040600000	Cross recessed pan head screw GB/T-818 M4x6-Longzine		4	
8	BL20380500020	Solenoid valve fixed piece SPDV-38-ALL-05(Drawing No. C version) with AIRTAC Solenoid valve		1	Borrowed
7	BW20001501310	Upper cover SPDV-50-ALL-01 white(processed)(has mould)		1	
6	YR20259800000	Rubber O-type seal ring 25x98		1	
5	BL90668200040	Diaphragm gasket 56 x 82 x 2 (SPDV-50-ALL-04)(galvanized) 0.05KG		1	
4	BR10718500040	Diaphragm (coated) 72 x 82 x 6 (SPDV-50-ALL-03) silicone		1	
3	YW66082200100	Large washer C grade GB/T968(8.4x24x2)-Longzine		1	
2	YW64000800100	Non-metal insert hexagon nut GB/T889.18		1	
1	BW20001501210	Lower cover SPDV-50-ALL-02 white(processed)(has mould)		1	

序号	代号	名称	材质	数量	备注
				1	
				/	
			表面要求	/	
			物料号	/	

					制图	版号	0	标题	SPDV-50 真空分离阀	图号	SPDV-50-DC24V	比例	1:4	数量	1
					设计	核准									
					校对										
标记	更改前	更改后	更改人	日期	审核	日期	20230413								



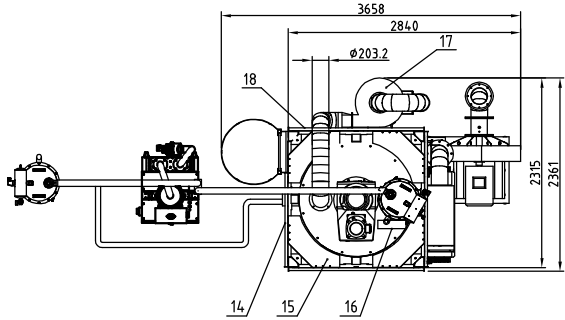
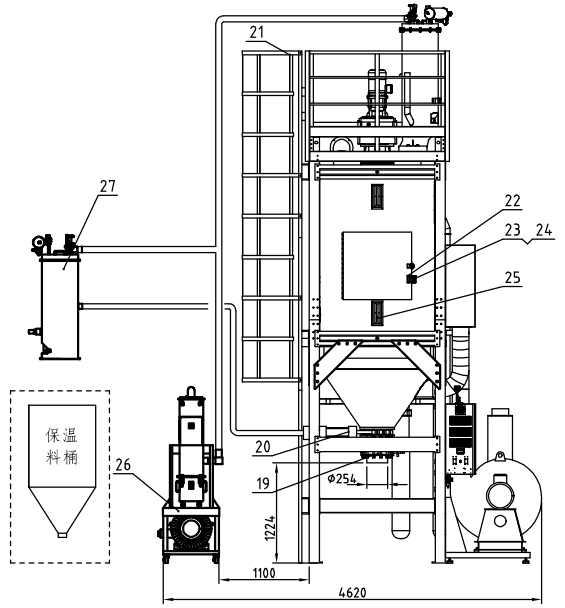
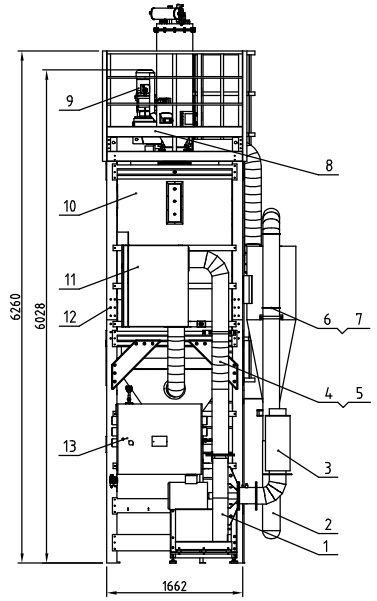


Tech. Req:  
 1.The parts surface shall not be scratched and cleaned before assembly.  
 2.The parts must be fixed firmly with rust-proof treatment after assembly.

序号	代号	名称	材料	数量	备注
43	BE9060000050	Thermocoupler 5m	assembly	2	
42	YE90059301800	Thermocoupler 12m	assembly	2	
41	SICR-2500U-A-02	Hopper cover	assembly	1	
40	YE15802000600	Anti-rotation level switch	assembly	1	
39	BH12901620010	Hopper level sensor plug	H58	1	
38	YW6704.1200000	Cross recessed pan head self-tapping screw GB/T845 S14.2x13-C-H-Longzine		14	
37	SICR-2500U-A-16	Hopper level sensor flange	SUS201	1	
36	YW6704.1200000	Cross recessed pan head self-tapping screw GB/T845 S14.2x13-C-H-Longzine		6	
35	SCR-2500U-A-07	Inlet air pipe flange	SUS201	1	
34	YW62061500000	Cross recessed pan head screw JIS/M11 M6-15 --Longzine		24	
33	SICR-2500U-A-17	Cleaning door sealing gasket	Foamed red silica gel	1	
32	SICR-2500U-A-14	Cleaning door fender	SUS201	1	
31	SICR-2500U-A-11	Cleaning door frame cover plate 1	Patterned alu. plate	2	
30	SICR-2500U-A-12	Cleaning door frame cover plate 2	Patterned alu. plate	2	
29	BH10150001310	Big star assembly M10	assembly	1	
28	YW70000100000	Reinforced glass (six holes)	Tempered glass	2	
27	YR40000600000	Sight glass fastener	Rubber	2	
26	BW09000630040	Sight glass iron sheet six hole	SPCC2.5	2	
25	SHD-4000U-A-57	Sight glass inner frame	SUS201	2	borrow
24	YW63051500000	Cross recessed pan head screw GB/T-8B M5x16--Longzine		12	
23	SICR-2500U-A-06	Hopper cover plate 1	Patterned alu. plate	1	
22	YP60501500000	Epoxy glass fiber laminate	assembly	1	
21	SICR-2500U-A-03	External hopper	assembly	1	
20	SICR-2500U-A-04	Inner hopper	SUS201	1	
19	SICR-2500U-A-08	Hopper cover plate 2	Patterned alu. plate	1	
18	SICR-2500U-A-01	Material storage tank	assembly	1	
17	SICR-2500U-A-20	Thermocouple flange	SUS201	1	
16	SICR-2500U-A-05	Hopper cover plate	Patterned alu. plate	1	
15	YW6704.1200000	Cross recessed pan head self-tapping screw GB/T845 S14.2x13-C-H-Longzine		10	
14	SICR-2500U-A-13	Cleaning door cover plate	Patterned alu. plate	1	
13	SICR-2500U-A-10	Cleaning door	SUS201	1	
12	YW65008000100	Standard spring washer GB/T193 8-Longzine		4	
11	YW66081600000	Flat washer A grade GB/T197.10x16x1.6) Longzine		4	
10	YW60082500300	Hex. bolt GB/T5783 M8x25-12.9-Longzine		4	
9	SICR-2500U-A-19	Exhaust pipe elbow	SUS201	1	
8	YW63051500000	Cross recessed pan head screw GB/T-8B M5x16--Longzine		8	
7	SHD-900U-B-ALL	Door buckle	assembly	2	borrow
6	YW66122400000	Flat washer A grade GB/T197.12-Longzine		24	
5	YW65012200000	Standard spring washer GB/T193 12-Longzine		24	
4	YW61123500000	Inner hex. column head screw GB/T178.1-M12x35-12.9-Longzine		24	
3	YR10010040100	Silica gel fastener 8.8 m	Silica gel	1	
2	YW6704.1200000	Cross recessed pan head self-tapping and tapping screw GB/T845 S14.2x13-C-H-Longzine		72	
1	SICR-2500U-A-09	Hopper cover plate 3	Patterned alu. plate	1	

标题	SICR-2500U 结晶桶	图号	SICR-2500U-A-ALL	比例	1:18	数量	1
制图		设计		表面要求		物料号	
校对		审核					
版号		核准					
更改前		更改后					
更改人		日期					
标记		日期					





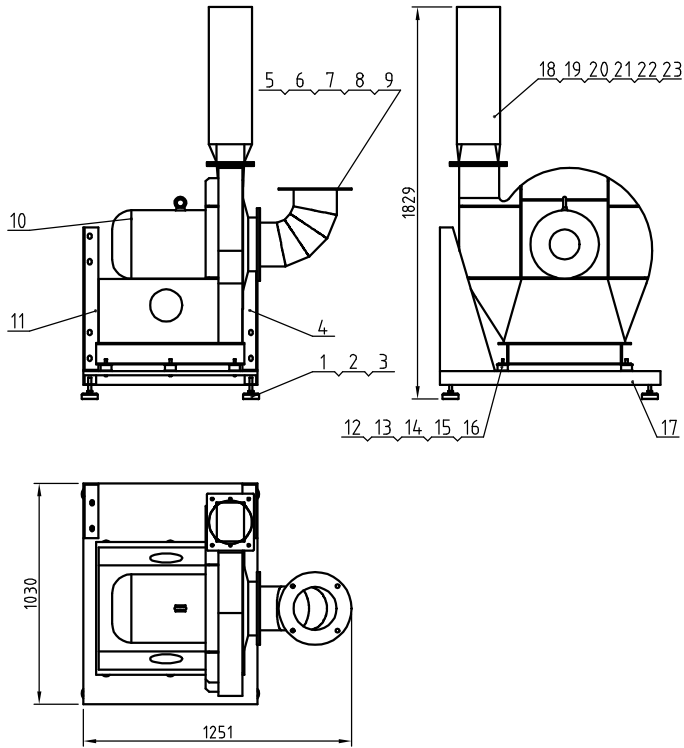
Unloading Motor	Blower Power	Mixing Motor Power	Model Version
15KW	128KW	4KW	Ver.B
Inlet Air Pipe Dia.	Discharge Port Dia.	Mixing Motor Rotating Speed	Hopper Capacity
8inch	10inch	3.7r/min	2500L

27	BY206024.00150	Powder hopper SHR-P-60-DC24V	2
26	CG61002000250	Vacuum generator SVG-20HP-D-C	1
25	SICR-2500U-E-ALL	Mixing assembly	1
24	YE680804.00100	Sensor connecting wire PMS remote connector 1/2 cord 1m	1
23	YE156604.00000	Siemens magnetic switch SE661L-4CA01	1
22	YE156704.00000	Siemens magnetic switch SE671L-2CA	1
21	SCR-2500U-D-ALL-01	Safety ladder assembly	1 option HL
20	YW50067300000	Pneumatic sluice valve 10"	1
19	YW59101800000	Manual butterfly valve 10"	1
18	SCR-2500U-D-ALL-04	Safety ladder 3	1 option HL
17	YE30818000000	Pneumatic butterfly valve 8"	1
16	SCR-2500U-D-ALL-05	Foot plate	4 option HL
15	SICR-2500U-F-ALL	Cyclone dust collector assembly	1
14	SCR-2500U-D-ALL-03	Safety ladder 2	2 option HL
13	SICR-2500U-G-ALL	Control box assembly	1
12	SICR-2500U-D-ALL	Floor stand assembly	1
11	SCR-2500U-C-ALL	Heating tank	1
10	SICR-2500U-A-ALL	Crystallizing tank	1
9	YM50838200000	Gear box SK8382AFBH VL2-112M/4	1
8	SCR-2500U-D-ALL-02	Safety ladder 1	2 option HL
7	SCR-1600U-ALL-20	Stainless steel pipe clamp 8"	3
6	YR10008000000	White silica gel flange fastener 8"	3
5	YW02008500000	Stainless steel pipe clamp 8.5"	6
4	YW720804.00000	Heat-resistant air pipe 8"	1
3	SICR-2500U-I-ALL	Silencer	1
2	YP82215100100	Filter cloth bag <math>\phi 215 \times 1200</math>	2
1	SICR-2500U-B-ALL	Blower frame	1

标题	SICR-2500U	图号	SICR-2500U-ALL	比例	1:4.8	数量	1
设计		审核		表面要求		材质	
标记	更改前	更改后	更改人	日期	审核	日期	



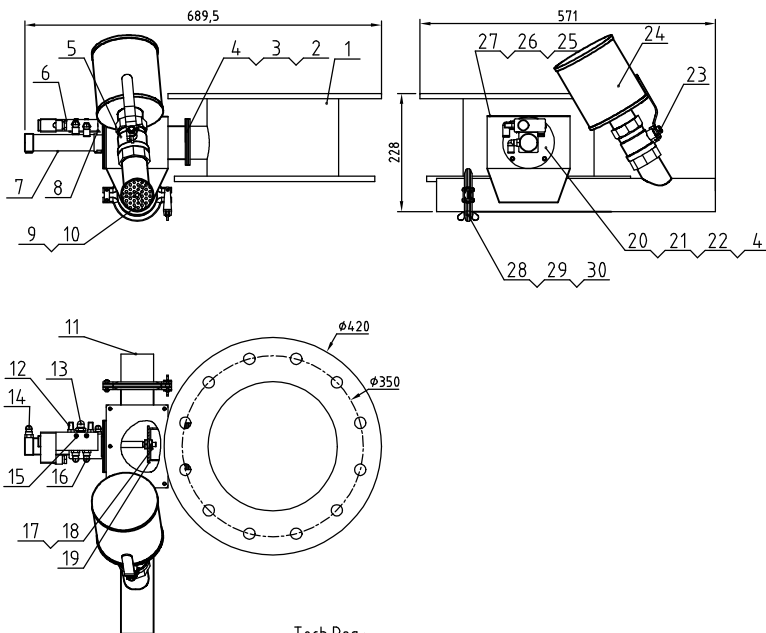




Tech. Req:  
EVA cotton shall be installed in the middle of the connector between the blower outlet flange and blower.

23	YW64.012100000	Hex. nut GB/T6170 M12-Longzine		8	
22	YW661224.00000	Flat washer A grade GB/T97.1 12-Longzine		16	
21	YW65012200000	Standard spring washer GB/T93 12-Longzine		8	
20	YW60123500000	Hex. bolt GB/T5783 M12x35-8.8-Longzine		8	
19	SICR-2500U-B-14	Air outlet pipe flange fastener	EVA3.0	1	
18	SICR-2500U-B-08	Blower air outlet flange		1	
17	SICR-2500U-B-01	Blower mount plate		1	
16	YW64.001000100	Hex. nut GB/T6170 M10-Longzine		6	
15	YW64.101100000	Hex. nut M10 (anti-loose)		6	
14	YW66102500000	Flat washer A grade GB/T97.1 10-Longzine		12	
13	YW65010000000	Standard spring washer GB/T93 10-Longzine		6	
12	YW03536000000	Motor foot pad HB050-30-60A-M10		6	
11	SICR-2500U-B-12	Blower frame left fixed plate	SPH6.0	1	
10	YM30001500000	High pressure centrifugal blower 15KW		1	
9	YW64.001600000	Hex. nut GB/T6170 M16-Longzine		4	
8	YW66163000000	Flat washer A grade GB/T97.1 16-Longzine		8	
7	YW65016200000	Standard spring washer GB/T93 16-Longzine		4	
6	YW60165000200	Hex. bolt GB/T5783M16x50-12.9-Longzine		4	
5	SICR-2500U-B-13	Air inlet elbow	SUS201	1	
4	SICR-2500U-B-11	Blower frame right fixed plate	SPH6.0	1	
3	YW66142700000	Flat washer A grade GB/T97.1 14-Longzine		4	
2	YW64.0014.00200	Hex. nut GB/T6170 M14-Longzine		4	
1	BW300120014.10	Foot pad SH120		4	
序号	代号	名称	材料	数量	备注

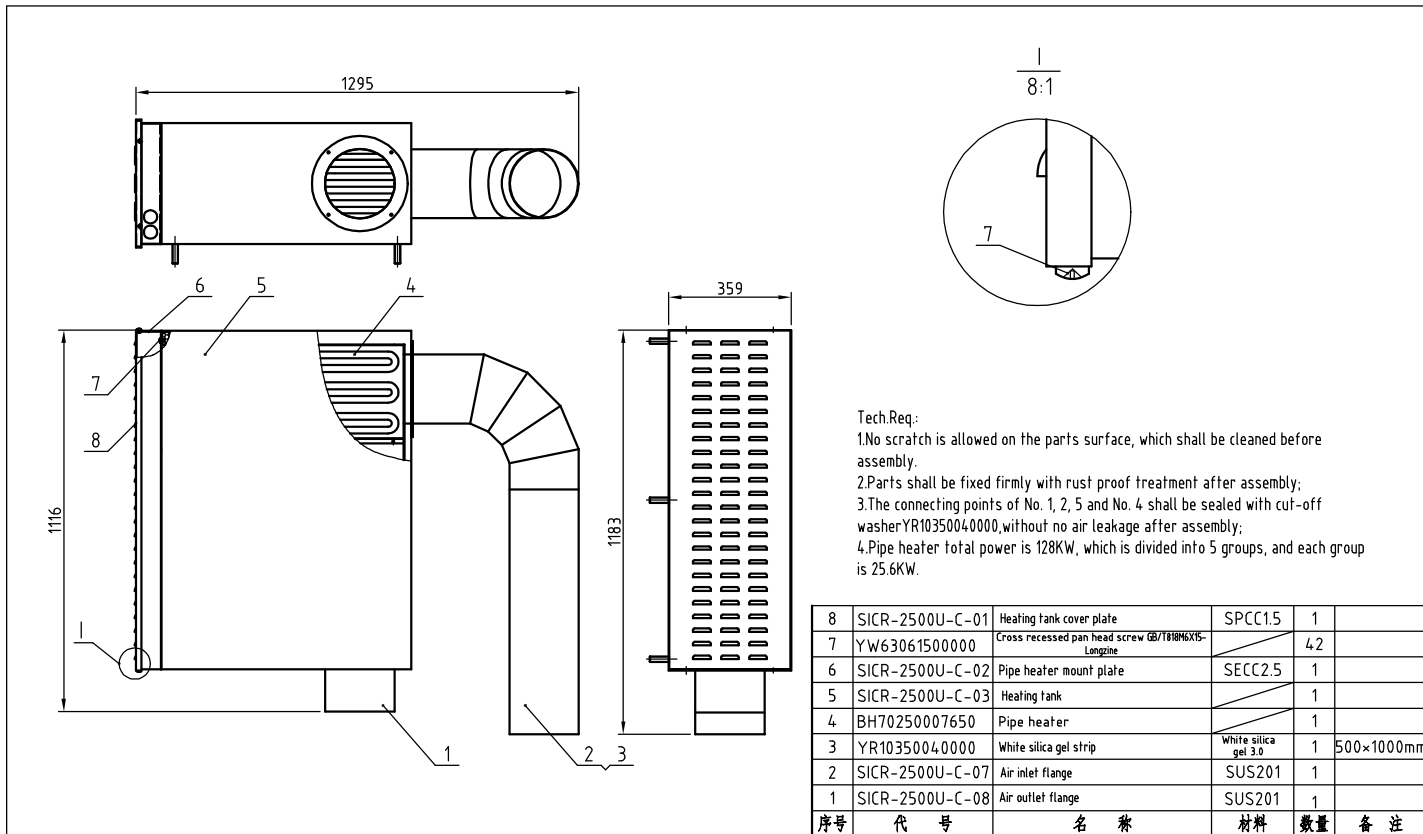
					制图	版号	标题	图号	比例	1:24	数量	1
					设计	核准	SICR-2500U	SICR-2500U-B-ALL			材质	
					校对		<b>信易電熱機械股份有限公司</b> Shini Plastics Technologies, Inc.		表面要求			
标记	更改前	更改后	更改人	日期	审核	日期				物料号		



Tech.Req:  
 1.When assembling parts No.4 and No.5, they need the fastener in the middle, and the fastener needs to be cut off by foamed red silica gel (YR1050500000). No air leakage is allowed after assembly.

30	YR20002500300	Stainless steel punching clamp seal ring 2.5"	Silica gel	1	
29	YW62062000000	Stainless steel punching clamp 2.5"	Assembly	1	
28	SICR-2500U-H-09	Air plate	SUS201	1	
27	YW61051000200	Cross recessed pan head screw II type GB/T818-M5-10-Longzine		6	
26	SICR-2500U-H-06	Fastener	Foamed silica gel	1	
25	SICR-2500U-H-05	Cover plate	SUS201	1	
24	YR50128200000	Suction box filter SP-F ext. 128xH 138		1	
23	YW50015000000	Copper ball valve 15"		1	
22	YR10008001200	Heating case air fastener SCD-80Ux2/100H-D-06		2	
21	YW62062000000	Large cross recessed pan head screw JIS1111 M6x28-Longzine		4	
20	SICR-2500U-H-04	Cylinder fixed plate	SUS201	1	
19	SICR-2500U-H-08	Diaphragm	SUS201	1	
18	YW68004500000	Hexagon socket flat end set screw GB/T77 M4.5-Longzine		1	
17	BH10160009710	Anti-loose nut M10x1.25(M4 lock hole)		1	
16	YW80061800200	L-type screw connector APL6-01 1/8-φ6		3	
15	YW63042500000	Cross recessed pan head screw GB/T-818 M4x25-Longzine		2	
14	YW80061800000	Adjustable air pipe connector APL6-01 1/8-φ6		1	
13	YW80081800100	L type screw connector APL8-01 1/8-φ8		1	
12	YW80010800000	Copper silencer 1/8"		2	
11	SICR-2500U-H-03	Suction pipe	SUS201	1	
10	YW61061001800	Inner hex. column head screw GB/T10.1M6x10-A2-70(SUS)		1	
9	SICR-2500U-H-07	Screen plate	SUS304	1	
8	BL17160380020	Solenoid valve fixing plate	SUS201	1	
7	YE31258000000	Cylinder MBL25x80-U(AIRTAC)		1	
6	YE32421000300	Solenoid valve 4 V210-06/DC24V		1	
5	SICR-2500U-H-02	Shut-off body		1	
4	YW66061300000	Flat washer A grade GB/T93.14-Longzine		8	
3	YW65006000100	Standard spring washer GB/T93.6-Longzine		4	
2	YW60061500100	Hex. bolt GB/170.1M6x16-Longzine		4	
1	SICR-2500U-H-01	Storage hopper		1	
序号	代号	名称	材料	数量	备注

					制图	版号	标题	图号	比例	1:10	数量	1
					设计	核准	SICR-2500U 吸料盒	SICR-2500U-H-ALL			材质	
					校对	核准		信易電熱機械股份有限公司 Shini Plastics Technologies, Inc.	表面要求			
标记	更改前	更改后	更改人	日期	审核	日期			物料号			



Tech.Req:

- 1.No scratch is allowed on the parts surface, which shall be cleaned before assembly.
- 2.Parts shall be fixed firmly with rust proof treatment after assembly;
- 3.The connecting points of No. 1, 2, 5 and No. 4 shall be sealed with cut-off washer YR1035004.0000, without no air leakage after assembly;
- 4.Pipe heater total power is 128KW, which is divided into 5 groups, and each group is 25.6KW.

8	SICR-2500U-C-01	Heating tank cover plate	SPCC1.5	1	
7	YW63061500000	Cross recessed pan head screw GB/T18184X15-Longzine		42	
6	SICR-2500U-C-02	Pipe heater mount plate	SECC2.5	1	
5	SICR-2500U-C-03	Heating tank		1	
4	BH70250007650	Pipe heater		1	
3	YR1035004.0000	White silica gel strip	White silica gel 3.0	1	500×1000mm
2	SICR-2500U-C-07	Air inlet flange	SUS201	1	
1	SICR-2500U-C-08	Air outlet flange	SUS201	1	
序号	代号	名称	材料	数量	备注

					制图	版号	标题	SICR-2500U	图号	SICR-2500U-C-ALL	比例	1:15	数量	1
					设计	核准		加热箱						
					校对									
标记	更改前	更改后	更改人	日期	审核	日期					表面要求			
											物料号			

**SHINI** 信易電熱機械股份有限公司  
Shini Plastics Technologies, Inc.