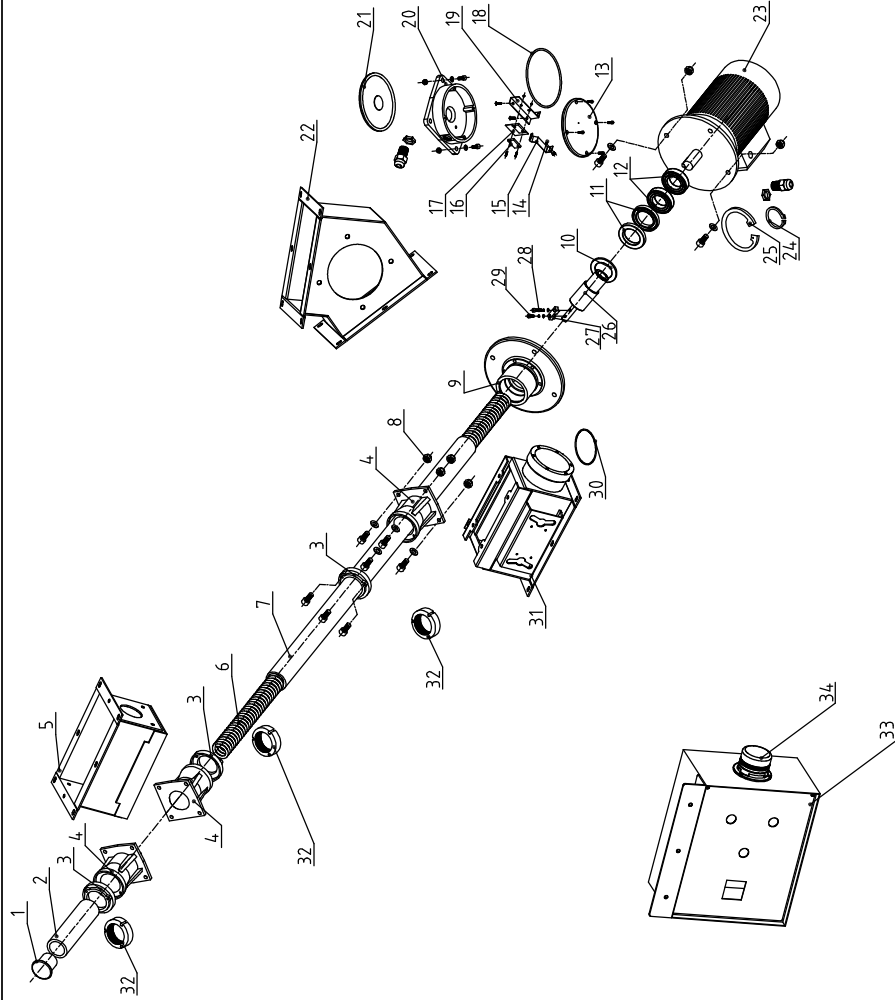


34	BL90000011520	Three-color alarm lamp (Red, Yel, Gre + buzzer)*
33		Control box assembly
32	BP20500300050	Pipe sleeve seal ring SSC-50-A-03-0*
31		Material storage base board A
30	YR20753500000	Rubber seal ring $\phi 75 \times \phi 3.5$ (for SSC)*
29	YW61064000000	Inner hexagon cylinder screw GB/T70.1 M6x4.0-A2-70(SUS)
28	YW61064000000	Inner hexagon cylinder screw GB/T70.1 M6x4.0-A2-70(SUS)
27	BH10503600310	Pressure block SSC-50-A-36(Ver.B)
26	BH10503500110	Motor connecting shaft SSC-50-A-35(4.5#) Ver.B
25	YW017706100000	Circlip for hole use 65MM $\phi 70 \times \phi 61 \times B18$
24	YW01393200000	External Cir-clips [SUS] $\phi 39 \times \phi 32 \times B3$
23	YM10207500700	Motor W20 0.75KW-90S-6P BST IE3 230/400/460V*
22		Material base
21	BR90503101110	Segregation board SSC-50-A-31(Ver.0)*
20	BW214.0500010	Electrical base SSC-50-A-07(processed)(has mould)(YL112)
19		Electrical fixed plate
18	YR20130300000	Inner diameter of rubber seal ring 126.5mm/wire diameter 3.5mmSSC*
17	BH4.15024.00010	Electrical strengthen washer SSC-50-A-24*
16	YE14831600000	Micro switch V-15-1C25(Xin zhengfai)*
15		Electrical actuator
14	YW64.000300000	Anti-loosening nut M3
13	BW214.0500010	Electrical base cover SSC-50-A-22-0(processed)(has mould)
12	YW11600700200	Bearing 6007LLBCM(TPI)*
11	YR20654.0000000	Seal ring $\phi 65 \times \phi 40 \times L12$ (for SSC)*
10		Gasket
9	BW204.05000310	Motor flange SSC-50-A-17(processed)(has mould)
8	YW64.0008000100	Non-metal insert hexagon nut GB/T889.1 M8
7	YR60504.0000000	Wear-proof pipe $\phi 50 \times \phi 4.0$ (for SSC-50-7M)*
		Wear-proof pipe $\phi 50 \times \phi 4.0$ (for SSC-50-6M)*
		Wear-proof pipe $\phi 50 \times \phi 4.0$ (for SSC-50-5M)*
6	YW01073600500	Conveying spring (for SSC-50-7M)*
		Conveying spring (for SSC-50-6M)*
		Conveying spring (for SSC-50-5M)*
5	YW01053600500	Material storage base board B
4	BW205.00000010	Pipe sleeve base SSC-50-A-01-Appressed(has mould)(AL)
3	BW205.00000110	Pipe sleeve cover SSC-50-A-02-0(processed)(has mould)(AL)
2	BR90502001110	Rubber hose SSC-50-A-20(Ver.C)(P.A12)*
1	YR10002000200	Rubber plug 2"(has mould) white*

No.	Material number	Name
Title SSC-50		
Drawing NO. SSC-50(assembly drawing)		
Flexible Spiral Conveyers		
Version	Approved By	Date
Drawer	Designer	Modify date
Produce by	Checked by	Mark
After modification	Modified by	Before modification
信易電熱機械股份有限公司 Shini Plastics Technologies, Inc.		
Properties	Num.	Material
Surface requirement		
Material number		

* means possible broken parts.
 ** means easy broken part, and spare backup is suggested.
 Please confirm the version of manual before placing the purchase order to guarantee that the item number of the spare part is in accordance with the real object.



34	BL90000011520	Three-color alarm lamp (Red, Yel, Gre + buzzer)AC/DC24*
33		Control box assembly
32	BP20600300050	Pipe sleeve seal ring SSC-65-A-03-0*
31		Material storage base board A
30	YR20753500000	Rubber seal ring $\phi 75 \times \phi 3.5$ (for SSC)*
29	YW61063500000	Inner hexagon cylinder screw GB/T70.1 M6x35-A2-70(SUS) Full tooth
28	YW61064000000	Inner hexagon cylindrical screw GB/T70.1 M6x40-A2-70(SUS)
27	BH10651000310	Pressure block SSC-65-A-10(Ver.A)
26	BH10650900410	Motor connecting shaft SSC-65-A-09(45#) Ver.B
25	YW69166700000	Check ring for hole $\phi 16.5 \times \phi 67.9 \times S2.5$ B type (65Mn)SSC-65
24	YW69443600000	External Circlips GB/T 894.1 40
23	YM10201100300	Motor W/20 1.KW-100L-6P B5T IE3 230/4.00/460V*
22		Material base
21	BR90503101110	Segregation board SSC-50-A-31(Ver.0)*
20	BW21405000110	Electrical base SSC-50-A-07(processed)(has mould)(Y1.112)
19		Electrical fixed plate
18	YR20130300000	Inner diameter of rubber seal ring 126.5mm-wire diameter 3.5mmSSC*
17	BH41502400010	Electrical strengthen washer SSC-50-A-24*
16	YE14831600000	Micro switch Y-15-1C25(Xin zhengfai)*
15		Electrical actuator
14	YW64000300000	Anti-loosening nut M3
13	BW21405000110	Electrical base cover SSC-50-A-22-0(processed)(has mould)
12	YW11600800000	Deep groove ball bearing 6008-2RZ (Remmin)*
11	YR20754500000	Rubber seal ring SEAL-UN $\phi 72 \times \phi 4.5 \times L 10^*$
10		Washer
9	BH10651300110	Motor flange SSC-65-A-13(6061)Ver.0
8	YW64000800100	Non-metal insert hexagon nut GB/T889.1 M8
7	YR60655000000	Wear-proof pipe $\phi 65 \times \phi 50$ (for SSC-65-7M)*
		Wear-proof pipe $\phi 65 \times \phi 50$ (for SSC-65-6M)*
		Wear-proof pipe $\phi 65 \times \phi 50$ (for SSC-65-5M)*
6	YW01006500500	Conveying spring (for SSC-65-7M)*
		Conveying spring (for SSC-65-6M)*
		Conveying spring (for SSC-65-5M)*
5	YW01003600600	Material storage base board B
4	BW20650000110	Pipe sleeve base SSC-65-A-01-0(processed)(has mould)(AL)
3	BW20650000110	Pipe sleeve cover SSC-65-A-02-0(processed)(has mould)(AL)
2	BR90650501110	Rubber hose SSC-65-A-05(Ver.C)(IP.A12)*
1	YR10002500300	Rubber plug 2"(has mould) white*

No.	Material number	Name
Drawing NO: SSC-65		
Title: Flexible Spiral Conveyers		
Drawing No: SSC-65(assembly drawing)		
Version	Approved By	Material
Drawer	Designer	Surface requirement
Produce by	Checked by	Material number
Modify date	Modify by	
After modification	Mark	
Before modification		



信易電熱機械股份有限公司
Shini Plastics Technologies, Inc.

* means possible broken parts.
** means easy broken part, and spare backup is suggested.
Please confirm the version of manual before placing the purchase order to guarantee that the item number of the spare part is in accordance with the real object.