

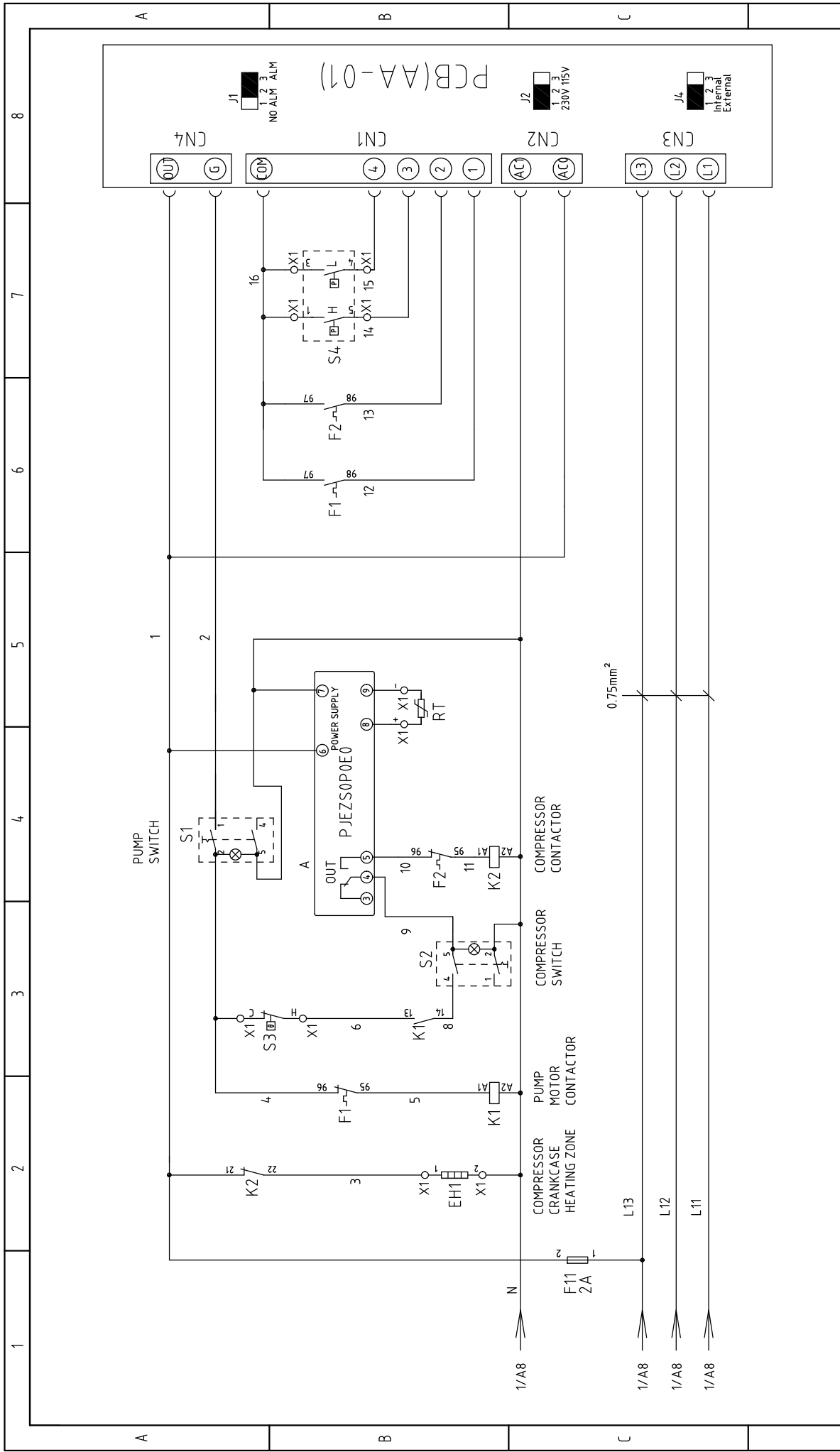
3/N/PE/400V/230V 50Hz

型号/MODE	①	②	③	④	⑤	⑥	⑦	⑧	⑨	⑩	⑪	⑫
SIC-3W	2.5	16	10	1.5	16	4.5-6.32	6.1	2.5	2.68	5.7		
SIC-5W	4.0	25	10	1.5	20	9-12.5	11.0	2.5	4.43	10.0		
SIC-8W	6.0	32	10	1.5	32	14-20	17.3	4.0	7.0	16.4		
SIC-10W	6.0	32	10	1.5	40	17-22	21.0	4.0	9.06	19.2		
SIC-12.5W	6.0	32	10	1.5	50	16-25	23.0	6.0	10.3	22.1		

P = ① KW  
IN = ② A  
COMPRESSOR

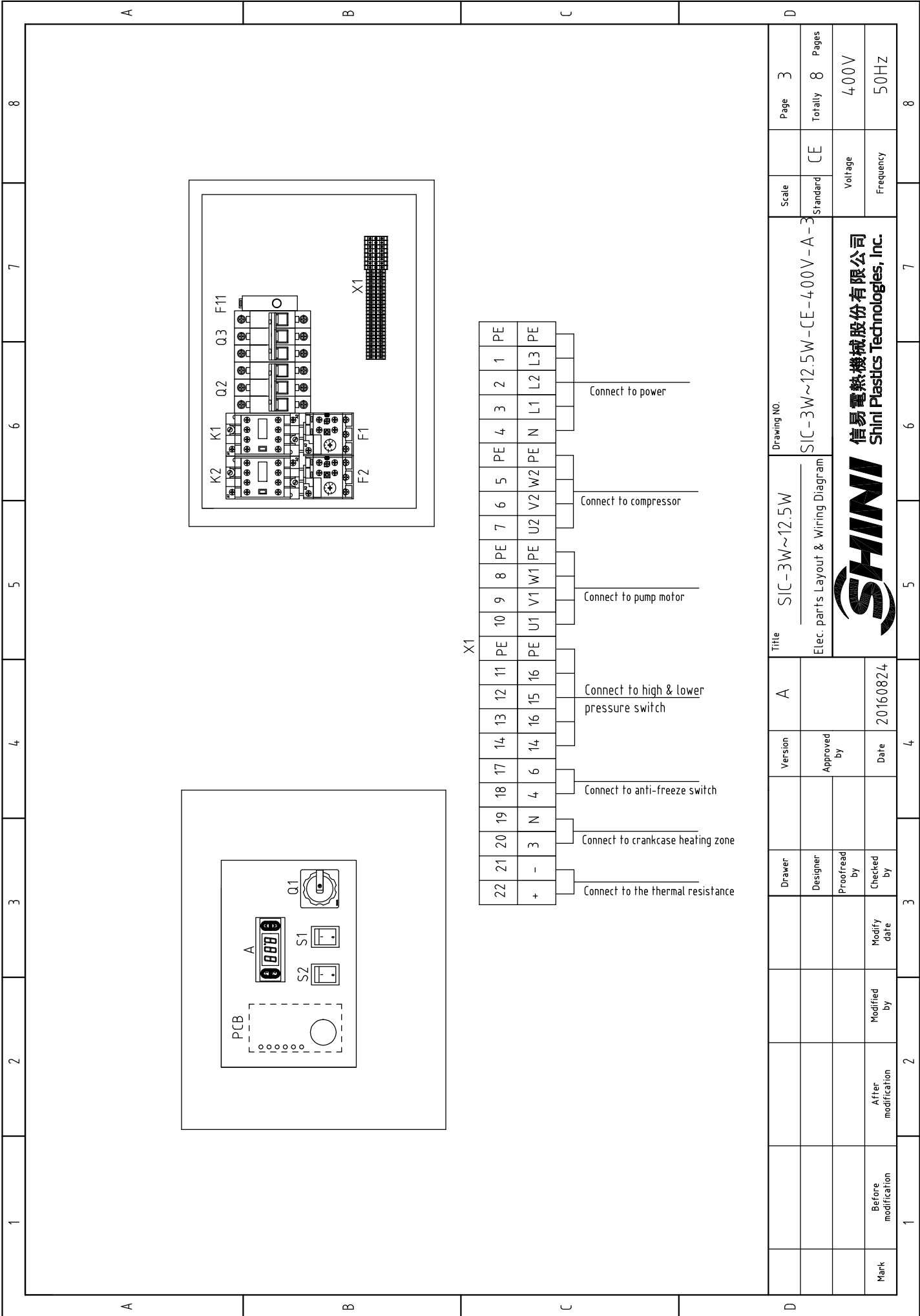
PUMP MOTOR

Title		Version		Drawer		Scale		Page	
SIC-3W~12.5W		A				1:1		1	
Main Circuit Diagram		Approved by		Designer		Standard		Totally	
SIC-3W~12.5W-CE-4.00V-A-1						CE		8	
Voltage		Date		Checked by		Frequency		Pages	
400V		20160824				400V		50Hz	
SHINI		信易電熱機械股份有限公司		Shini Plastics Technologies, Inc.					
1		2		3		4		5	
6		7		8		9		10	



Title		SIC-3W~12.5W		Drawing NO.		Page 2	
Control Circuit Diagram		SIC-3W~12.5W-CE-400V-B-2		Standard		CE	
Version		B		Voltage		400V	
Approved by				Frequency		50HZ	
Date		20200119		Totaly		8 Pages	
Drawer				Voltage		400V	
Designer				Frequency		50HZ	
Proofread by				Totaly		8 Pages	
Checked by				Voltage		400V	
Modify date				Frequency		50HZ	
After modification				Totaly		8 Pages	
Before modification				Voltage		400V	
Mark				Frequency		50HZ	





Mark	Before modification	After modification	Modified by	Modify date	Checked by	20160824	Date	Approved by	Version	A	Title	SIC-3W~12.5W	Drawing NO.	SIC-3W~12.5W-CE-400V-A-3	Scale	CE	Page	3
											Elec. parts Layout & Wiring Diagram				Standard	Totally	8	Pages
															Voltage	400V		
															Frequency	50HZ		



1		2		3		4		5		6		7		8	
NO.	Symbol	Name	Manufacturer	Type	Specification	Number	Material number	Remark							
1	Q1	Main power switch	EATON	T0-2-1/EA/SVB	20A	1	YE10021160000	----							
2	Q2	Circuit breaker	TECO	BM-63C/3010S	10A	1	YE40301003000	----							
3	Q3	Circuit breaker	TECO	BM-63C/3016S	16A	1	YE40301603000	----							
4	K1	Contacto	SIEMENS	3RT6015-1AN21	230VAC 50/60Hz	1	YE00601521000	----							
5	K2	Contacto	SIEMENS	3RT6017-1AN22	230VAC 50/60Hz	1	YE00601722000	----							
6	A	Temperature controller	CAREL	PJZS0P0E0	230VAC 50/60Hz	1	YE80000001400	----							
7	RT	Thermal resistance	CAREL	NTC025HP00	----	1	YE10250000000	----							
8	F1	Thermal overload relay	SIEMENS	3RU6116-1CB0	1.8-2.5A	1	YE01160180000	----							
9	F2	Thermal overload relay	SIEMENS	3RU6116-1GB0	4.5-6.32A	1	YE01160450000	----							
10	F11	Fuse	YINDA	FS-10	2A	1	YE41001000000	----							
11	S1 S2	Alternative switch	MOLVETNO	R210-C5LBW 4P	250V~10(S)A 4P WH	2	YE10210400000	----							
12	S3	Anti-frozen switch	PADOIGY	TR/711-N	250V~16(4)A	1	----	(1)							
13	S4	High-Low pressure switch	FENSHEN	P830HLM	H:5-30bar L:-0.7-6bar	1	----	(1)							
14	PCB	Control board	YUYUN	AA-01	230V 50Hz	1	YE80000100000	----							
15	X1	Terminal board	PHOENIX	2.5mm <sup>2</sup>	----	20	YE60002503200	----							
16		Earth terminal	PHOENIX	2.5mm <sup>2</sup>	----	4	YE61002500500	----							
17	M1	Pump motor	----	----	400V 50Hz	1	See the appendix	(1)							
18	M2	Compressor	----	----	400V 50Hz 2.68KW	1	----	(1)							
19	EH1	Crankcase heating zone	----	----	230V 50/60Hz 35W	1	----	(1)							
Note:(1)Materials not in the control box;															
D															
Title SIC-3W Elec. Parts List															
Drawing NO. SIC-3W~12.5W-CE-400V-B-4															
Scale															
Standard CE															
Voltage 400V															
Frequency 50Hz															
Page 4															
Totally 8 Pages															
 <b>信易電熱機械股份有限公司</b> <b>Shini Plastics Technologies, Inc.</b>															
Mark															
Before modification															
Modified by															
Modify date															
Checked by															
Date 20200119															
Approved by															
Version B															
Title SIC-3W															
Elec. Parts List															
5															
6															
7															
8															

1		2		3		4		5		6		7		8	
NO.	Symbol	Name	Manufacturer	Type	Specification	Number	Material number	Remark							
1	Q1	Main power switch	EATON	TO-2-1/EA/SVB	25A	1	YE10125250000	----							
2	Q2	Circuit breaker	TECO	BM-63C/3010S	10A	1	YE40301003000	----							
3	Q3	Circuit breaker	TECO	BM-63C/3020S	20A	1	YE40302003000	----							
4	K1	Contactor	SIEMENS	3RT16015-1AN21	230VAC 50/60Hz	1	YE00601521000	----							
5	K2	Contactor	SIEMENS	3RT16025-1AN20	230VAC 50/60Hz	1	YE00602522000	----							
6	A	Temperature controller	CAREL	PJEZS0P0E0	230VAC 50/60Hz	1	YE800000001400	----							
7	RT	Thermal resistance	CAREL	NTC025HP00	----	1	YE102500000000	----							
8	F1	Thermal overload relay	SIEMENS	3RU6116-1CB0	1.8-2.5A	1	YE011601800000	----							
9	F2	Thermal overload relay	SIEMENS	3RU6116-1KB0	9-12.5A	1	YE01169125000	----							
10	F11	Fuse	YINDA	FS-10	2A	1	YE410010000000	----							
11	S1 S2	Alternative switch	MOLVETNO	R210-C5LBW 4P	250V~10(5)A 4P WH	2	YE102104000000	----							
12	S3	Anti-frozen switch	PADOIGY	TR/711-N	250V~16(4)A	1	----	(1)							
13	S4	HI-LO pressure switch	FENSHEN	P830HLM	HI-5-30bar L.-0.7-6bar	1	----	(1)							
14	PCB	Control board	YUYUN	AA-01	230V 50Hz	1	YE800001000000	----							
15	X1	Terminal board	----	2.5mm <sup>2</sup>	----	20	YE60002503200	----							
16		Terminal board	----	2.5mm <sup>2</sup>	----	3	YE61002500500	----							
17		Terminal board	----	4.0mm <sup>2</sup>	----	4	YE60000403200	----							
18		Earth terminal board	----	4.0mm <sup>2</sup>	----	1	YE610410000000	----							
19	M1	Pump motor	----	----	4.00V 50Hz	1	See the appendix	(1)							
20	M2	Compressor	----	----	4.00V 50Hz 4.43KW	1	----	(1)							
21	EH1	Crankcase heating zone	----	----	230V 50/60Hz 35W	1	----	(1)							
Note: (1) Materials not in the control box;															
				Title		SIC-5W		Drawing NO.		SIC-3W~12.5W-CE-4.00V-B-5		Scale		Page 5	
				Version		B		Elec. Parts List		CE		Standard		Totally 8 Pages	
				Approved by						Voltage		4.00V			
				Date		20200119				Frequency		50Hz			
Mark		Before modification		Modified by		Modify date		Checked by		Proofread by		Designer		Drawer	
1		2		3		4		5		6		7		8	



1		2		3		4		5		6		7		8	
NO.	Symbol	Name	Manufacturer	Type	Specification	Number	Material number	Remark							
1	Q1	Main power switch	EATON	P1-32/EA/SVB	32A	1	YE10323200000	-----							
2	Q2	Circuit breaker	TECO	BM-63C/3010S	10A	1	YE40301003000	-----							
3	Q3	Circuit breaker	TECO	BM-63C/3032S	32A	1	YE40303203000	-----							
4	K1	Contacto	SIEMENS	3RT6016-1AN21	230VAC 50/60Hz	1	YE00601621000	-----							
5	K2	Contacto	SIEMENS	3RT6026-1AN20	230VAC 50/60Hz	1	YE00602622000	-----							
6	A	Temperature controller	CAREL	PJZS0P0E0	230VAC 50/60Hz	1	YE80000001400	-----							
7	RT	Thermal resistance	CAREL	NTC025HP00	----	1	YE1025000000000	-----							
8	F11	Thermal overload relay	YINDA	3RU6116-1EB0	2.8-4A	1	YE01160280000	-----							
9	F1	Thermal overload relay	SIEMENS	3RU6126-4BB0	14-20A	1	YE01260140000	-----							
10	F2	Fuse	SIEMENS	FS-10	2A	1	YE41001000000	-----							
11	S1 S2	Alternative switch	MOLVETNO	R210-C5LBW 4P	250V~10(5)A 4P WH	2	YE10210400000	-----							
12	S3	Anti-frozen switch	PADOIGY	TR/711-N	250V~16(4)A	1	-----	(1)							
13	S4	High-Low pressure switch	FENSHEN	P830HLM	H:5-30bar L:-0.7-6bar	1	-----	(1)							
14	PCB	Control board	YUYUN	AA-01	230V 50Hz	1	YE80000100000	-----							
15	X1	Terminal board	-----	2.5mm <sup>2</sup>	-----	17	YE60002503200	-----							
16		Earth terminal board	-----	2.5mm <sup>2</sup>	-----	2	YE61002500500	-----							
17		Terminal board	-----	4.0mm <sup>2</sup>	-----	3	YE60000403200	-----							
18		Earth terminal board	-----	4.0mm <sup>2</sup>	-----	1	YE61041000000	-----							
19		Terminal board	-----	6.0mm <sup>2</sup>	-----	4	YE60000603200	-----							
20		Earth terminal board	-----	6.0mm <sup>2</sup>	-----	1	YE60000603500	-----							
21	M1	Pump motor	-----	-----	400V 50Hz	1	See the appendix	(1)							
22	M2	Compressor	-----	-----	400V 50Hz 7.0KW	1	-----	(1)							
23	EH1	Crankcase heating zone	-----	-----	230V 50/60Hz 45W	1	-----	(1)							


Note: (1) Materials not in the control box;

1		2		3		4		5		6		7		8	
Mark	Before modification	After modification	Modified by	Modify date	Checked by	Proofread by	Designer	Drawer	Version	B	Title		Drawing NO.		
											SIC-8W		SIC-3W~12.5W-CE-400V-B-6		
											Elec. Parts List		CE		
											Voltage		400V		
											Frequency		50Hz		
											Page		Page		
											Totally		Totally		
											8		8		
											400V		50Hz		



1		2		3		4		5		6		7		8	
NO.	Symbol	Name	Manufacturer	Type	Specification	Number	Material number	Remark							
1	Q1	Main power switch	EATON	P1-32/EA/SVB	32A	1	YE10323200000	-----							
2	Q2	Circuit breaker	TECO	BM-63C/3010S	10A	1	YE40301003000	-----							
3	Q3	Circuit breaker	TECO	BM-63C/3040S	40A	1	YE40304003000	-----							
4	K1	Contacto	SIEMENS	3RT6016-1AN21	230VAC 50/60Hz	1	YE00601621000	-----							
5	K2	Contacto	SIEMENS	3RT6026-1AN20	230VAC 50/60Hz	1	YE00602622000	-----							
6	A	Temperature controller	CAREL	PJZS0P0E0	230VAC 50/60Hz	1	YE80000001400	-----							
7	RT	Thermal resistance	CAREL	NTC025HP00	----	1	YE10250000000	-----							
8	F1	Thermal overload relay	SIEMENS	3RU6116-1EB0	2.8-4A	1	YE01160280000	-----							
9	F2	Thermal overload relay	SIEMENS	3RU6126-4CB0	17-22A	1	YE01260170000	-----							
10	F11	Fuse	YINDA	FS-10	2A	1	YE41001000000	-----							
11	S1 S2	Alternative switch	MOLVETNO	R210-C5LBW 4P	250V~10(5)A 4P WH	2	YE10210400000	-----							
12	S3	Anti-frozen switch	PADOIGY	TR/711-N	250V~16(4)A	1	-----	(1)							
13	S4	HI-LO pressure switch	FENSHEN	P830HLM	H:5-30bar L:-0.7-6bar	1	-----	(1)							
14	PCB	Control board	YUYUN	AA-01	230V 50Hz	1	YE80000100000	-----							
15	X1	Terminal board	-----	2.5mm <sup>2</sup>	-----	17	YE60002503200	-----							
16		Earth terminal board	-----	2.5mm <sup>2</sup>	-----	2	YE61002500500	-----							
17		Terminal board	-----	4.0mm <sup>2</sup>	-----	3	YE60000403200	-----							
18		Earth terminal board	-----	4.0mm <sup>2</sup>	-----	1	YE61041000000	-----							
19		Terminal board	-----	6.0mm <sup>2</sup>	-----	4	YE60000603200	-----							
20		Earth terminal board	-----	6.0mm <sup>2</sup>	-----	1	YE60000603500	-----							
21	M1	Pump motor	-----	-----	400V 50Hz	1	See the appendix	(1)							
22	M2	Compressor	-----	-----	400V 50Hz 9.06KW	1	-----	(1)							
23	EH1	Crankcase heating zone	-----	-----	230V 50/60Hz 45W	1	-----	(1)							

Note:(1)Materials not in the control box;

1		2		3		4		5		6		7		8	
Mark	Before modification	After modification	Modified by	Modify date	Checked by	Proofread by	Designer	Drawer	Version	B	Title		Drawing NO.		
											SIC-10W		SIC-3W~12.5W-CE-400V-B-7		
											Elec. Parts List		CE		
											 <b>信易電熱機械股份有限公司</b> <b>Shini Plastics Technologies, Inc.</b>		Voltage 400V		
											Date 20200119		Frequency 50Hz		
											Page 7		Totaly 8		
											Page 7		Totaly 8		

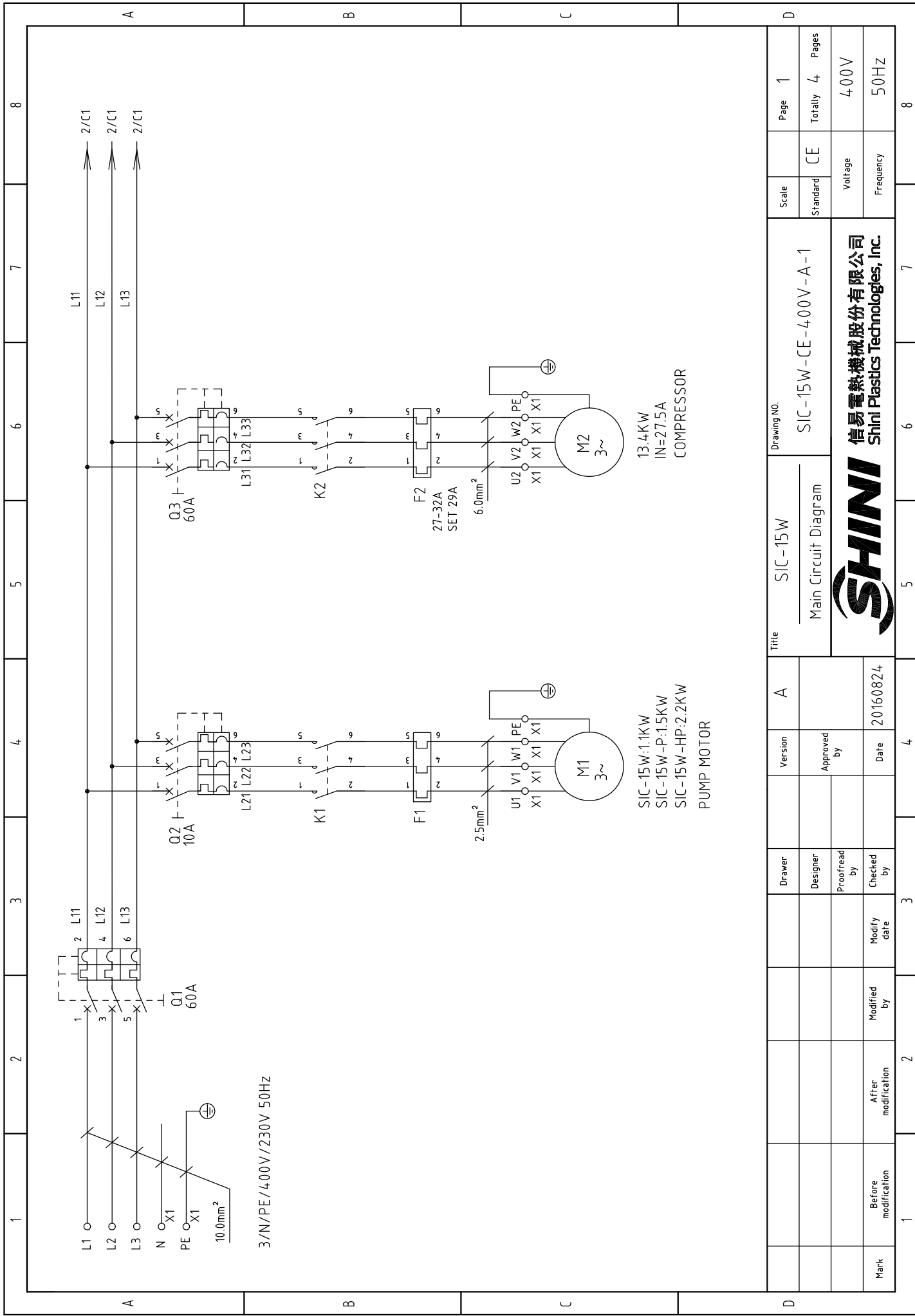
1	2		3	4	5	6	7	8
NO.	Symbol	Name	Manufacturer	Type	Specification	Number	Material number	Remark
1	Q1	Main power switch	EATON	P1-32/EA/SVB	32A	1	YE10323200000	-----
2	Q2	Circuit breaker	TECO	BM-63C/3010S	10A	1	YE40301003000	-----
3	Q3	Circuit breaker	TECO	BM-63C/3050S	50A	1	YE40305003000	-----
4	K1	Contact	SIEMENS	3RT6016-1ANZ1	230VAC 50/60Hz	1	YE00601621000	-----
5	K2	Contact	SIEMENS	3RT6027-1ANZ0	230VAC 50/60Hz	1	YE00602722000	-----
6	A	Temperature controller	CAREL	PJEZ50PE0	230VAC 50/60Hz	1	YE80000001400	-----
7	RT	Thermal resistance	CAREL	NTC025HP00	----	1	YE10250000000	-----
8	F1	Thermal overload relay	SIEMENS	3RU6116-1GB0	4.5-6.32A	1	YE01160450000	-----
9	F2	Thermal overload relay	SIEMENS	3RU6126-4DB0	20-25A	1	YE01260200000	-----
10	F11	Fuse	YINDA	FS-10	2A	1	YE41001000000	-----
11	S1 S2	Alternative switch	MOLVETNO	R210-C5LBW 4P	250V~10(5)A 4P WH	2	YE10210400000	-----
12	S3	Anti-frozen switch	PADOIGY	TR/711-N	250V~16(4)A	1	-----	(1)
13	S4	HI-LO pressure switch	FENSHEN	P830HLM	Hi-5-30bar L:-0.7-6bar	1	-----	(1)
14	PCB	Control board	YUYUN	AA-01	230V 50Hz	1	YE80000100000	-----
15	X1	Terminal board	-----	2.5mm <sup>2</sup>	-----	17	YE60002503200	-----
16		Earth terminal board	-----	2.5mm <sup>2</sup>	-----	2	YE61002500500	-----
17		Terminal board	-----	6.0mm <sup>2</sup>	-----	7	YE60000603200	-----
18		Earth terminal board	-----	6.0mm <sup>2</sup>	-----	2	YE60000603500	-----
19	M1	Pump motor	-----	-----	400V 50Hz	1	See the appendix	(1)
20	M2	Compressor	-----	-----	400V 50Hz 10.3KW	1	-----	(1)
21	EH1	Crankcase heating zone	-----	-----	230V 50/60Hz 45W	1	-----	(1)

Note:(1)Materials not in the control box;

1	2	3	4	5	6	7	8
Mark	Before modification	Modified by	Modify date	Checked by	Version	B	Title
							SIC-12.5W
					Approved by		SIC-3W~12.5W-CE-400V-B-8
					Proofread by		Elec. Parts List
					Designer		Drawing NO.
					Drawer		
							Scale
							Standard
							Voltage
							Frequency
							Page
							Totally
							Pages
							400V
							50Hz





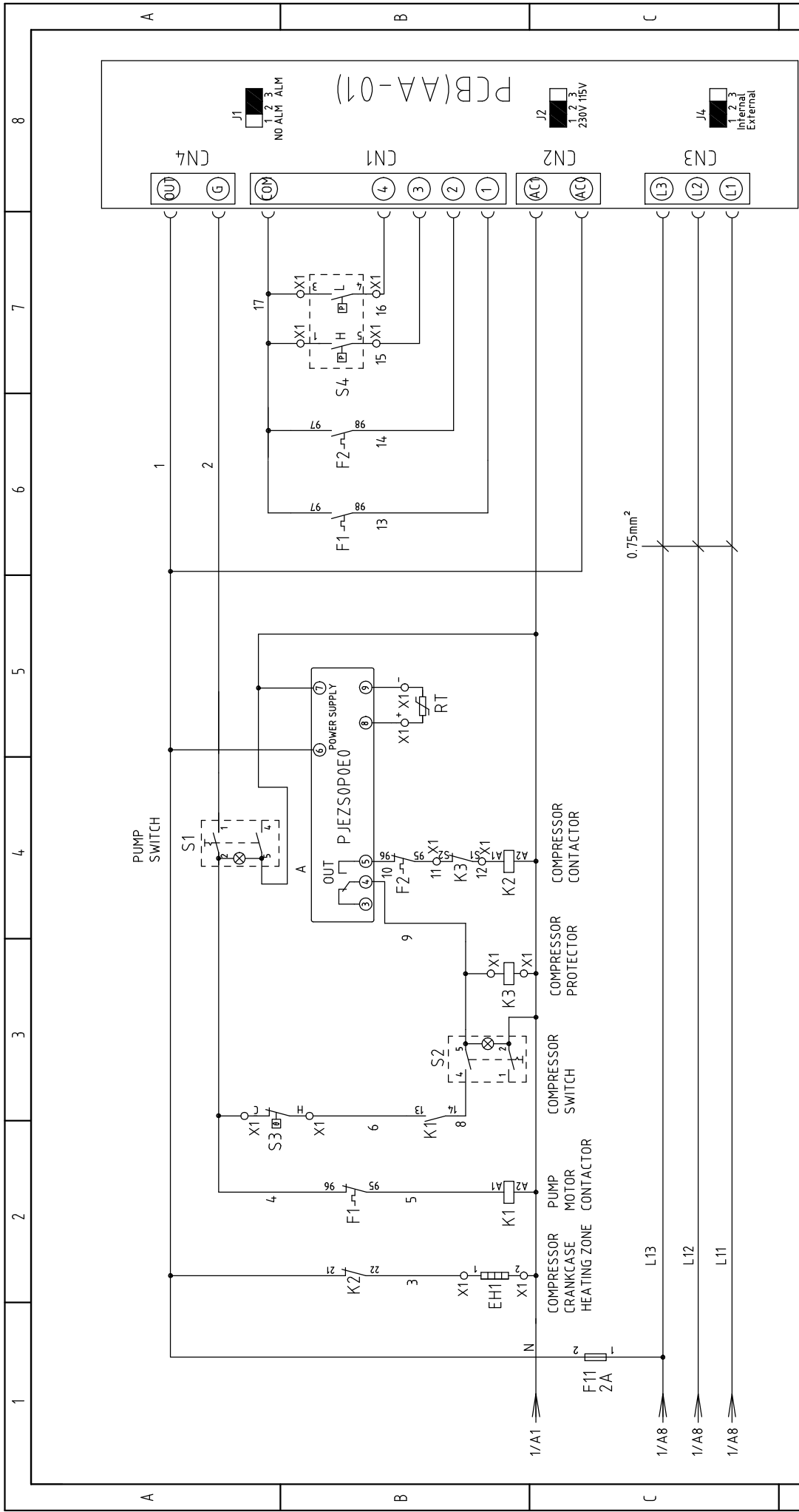


3/N/PE/400V/230V 50Hz

SIC-15W-1.1KW  
SIC-15W-P-1.5KW  
SIC-15W-HP-2.2KW  
PUMP MOTOR

13.4KW  
IN=27.5A  
COMPRESSOR

Mark	Before modification	After modification	Modified by	Modify date	Checked by	Date	Approved by	Version	A	Title	Drawing NO.		Scale	Page 1
	Before modification	After modification	Modified by	Modify date							SIC-15W	SIC-15W-CE-400V-A-1		
										Voltage		400V		
										Frequency		50Hz		
										SHINI		信易電熱機械股份有限公司 Shini Plastics Technologies, Inc.		
										SIC-15W-CE-400V-A-1		Page 1		
										Main Circuit Diagram		Totally 4		
										SIC-15W		Voltage		
										SIC-15W-CE-400V-A-1		Frequency		
										SHINI		信易電熱機械股份有限公司 Shini Plastics Technologies, Inc.		
										SIC-15W		Page 1		
										Main Circuit Diagram		Totally 4		
										SIC-15W		Voltage		
										SIC-15W-CE-400V-A-1		Frequency		
										SHINI		信易電熱機械股份有限公司 Shini Plastics Technologies, Inc.		
										SIC-15W		Page 1		
										Main Circuit Diagram		Totally 4		
										SIC-15W		Voltage		
										SIC-15W-CE-400V-A-1		Frequency		
										SHINI		信易電熱機械股份有限公司 Shini Plastics Technologies, Inc.		



K3 is the reserved compressor protector contact of the protector, which is short circuit when without protector.

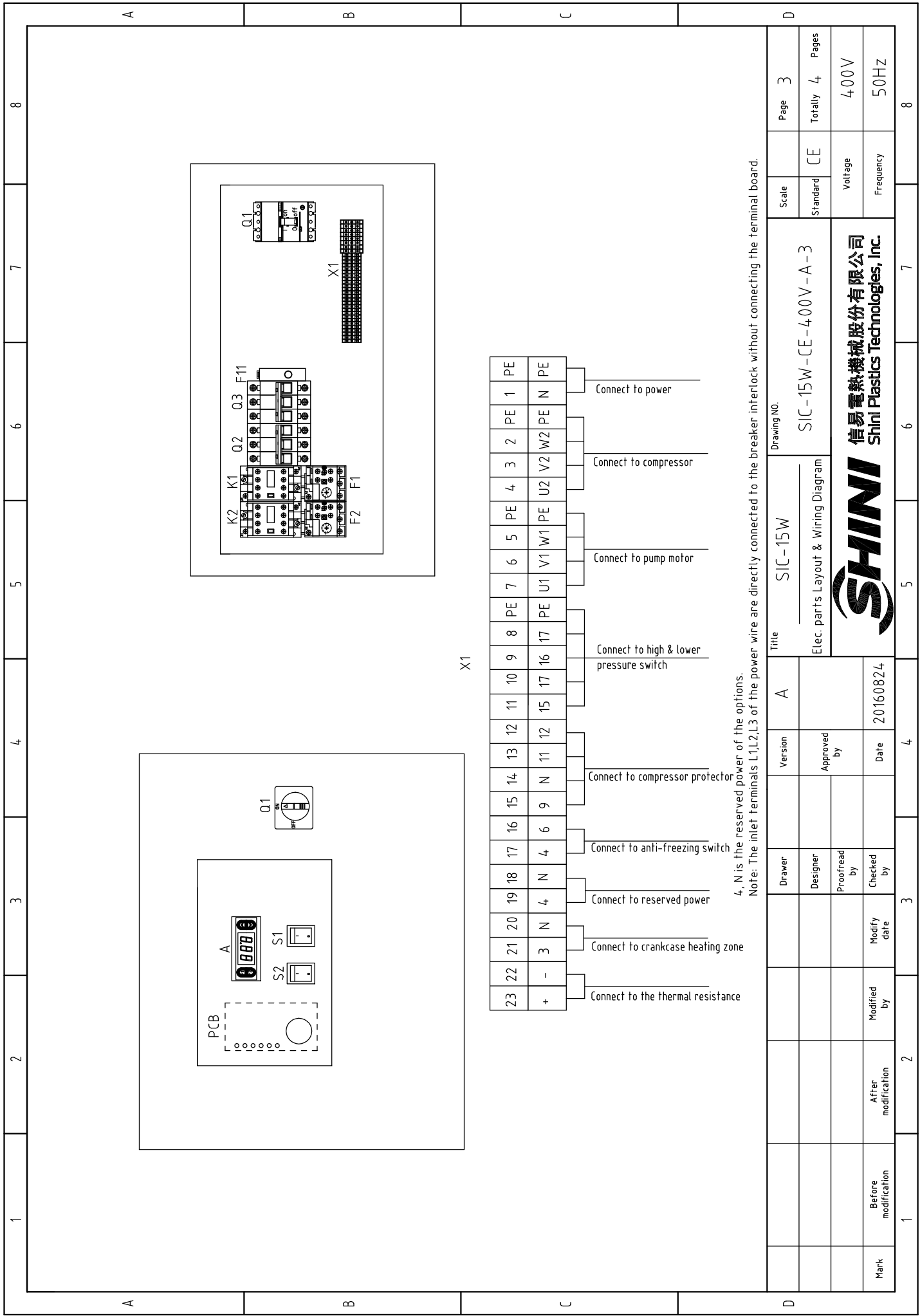
Drawing NO.		SIC-15W-CE-400V-B-2		Page 2	8			
Title		Control Circuit Diagram		Standard	CE			
Version				Voltage	400V			
Designer				Frequency	50HZ			
Proofread by				Totally 4 Pages				
Checked by		20200119		Date				
Modified by				Date				
Before modification				Date				
After modification				Date				
Mark	1	2	3	4	5	6	7	8



0.75mm<sup>2</sup>

PCB(AA-01)





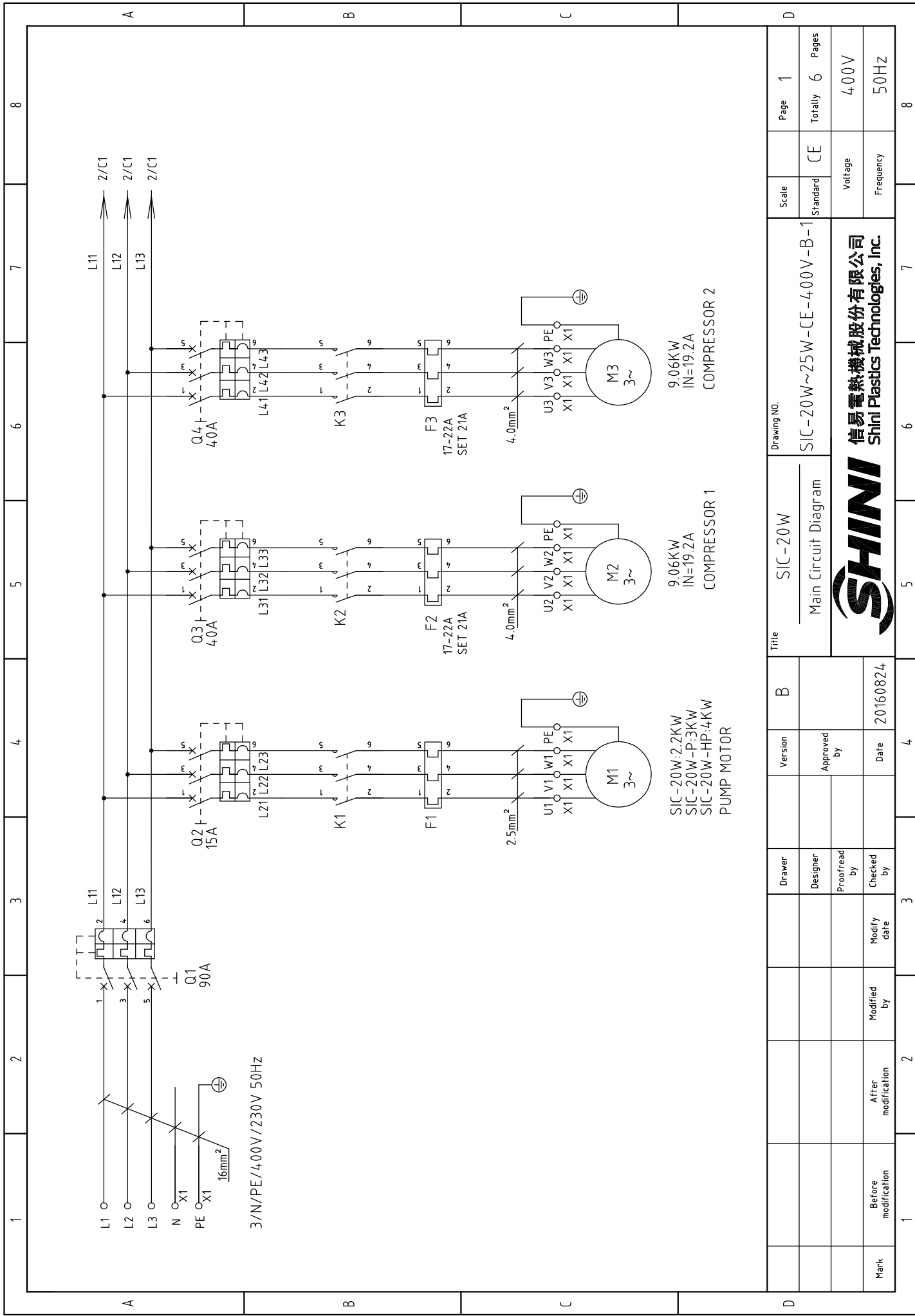
4, N is the reserved power of the options.  
 Note: The inlet terminals L1,L2,L3 of the power wire are directly connected to the breaker interlock without connecting the terminal board.

Title		SIC-15W		Drawing NO.		SIC-15W-CE-400V-A-3		Page		3	
Elec. parts Layout & Wiring Diagram								Standard		CE	
Version		A		Approved by				Voltage		400V	
Drawer				Date		20160824		Frequency		50HZ	
Designer				Checked by				Totally		4	
Proofread by				Modify date				Pages		4	
Mark		Before modification		Modified by				Total		8	

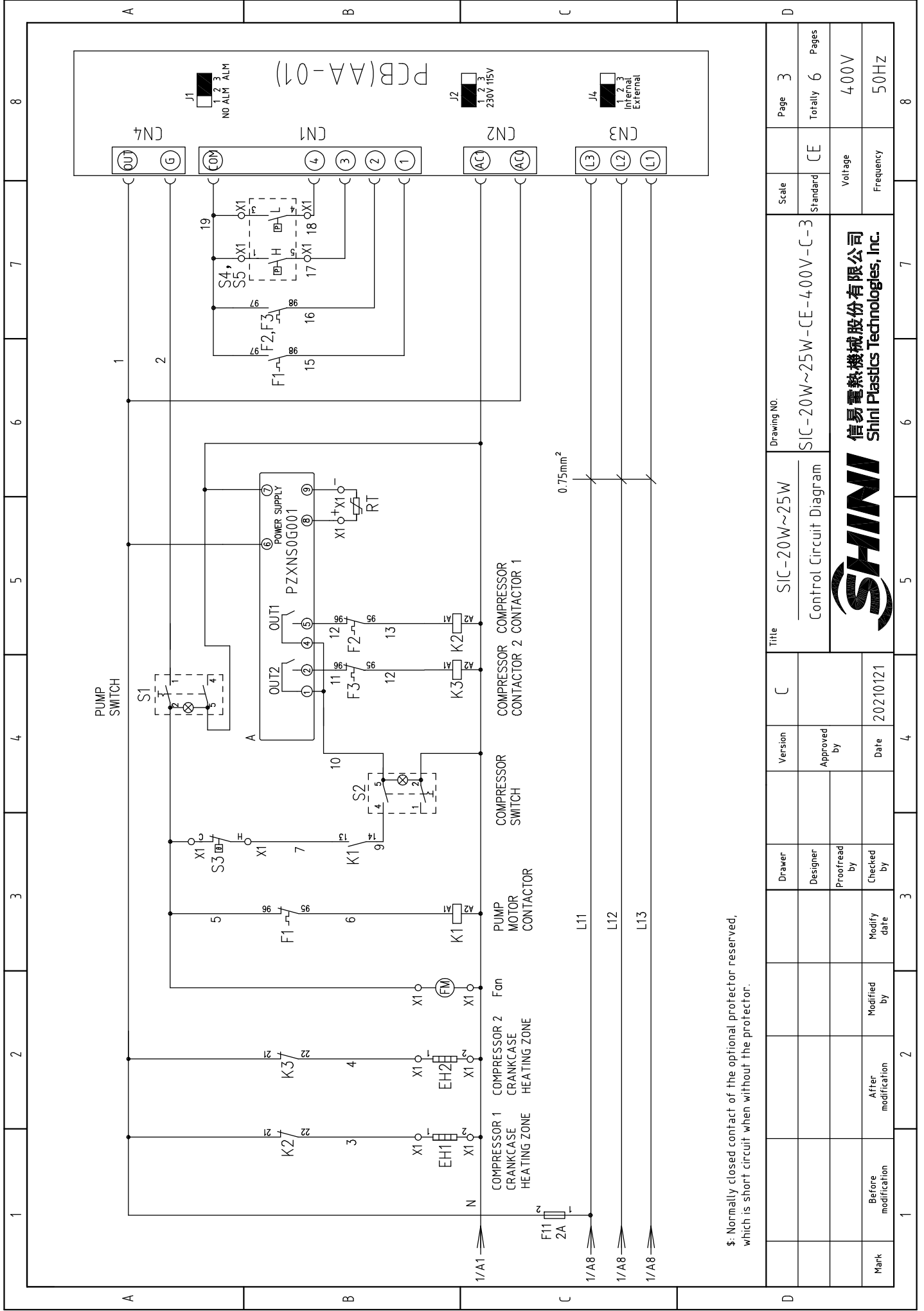


1	2		3	4	5	6	7	8
NO.	Symbol	Name	Manufacturer	Type	Specification	Number	Material number	Remark
1	Q1	Main power switch	ABB	A1A125TMF60/6003PFF	60A	1	YE41106200000	-----
2	Q2	Circuit breaker	TECO	BM-63C/3010S	10A	1	YE40301003000	-----
3	Q3	Circuit breaker	TECO	BM-63C/3060S	60A	1	YE40306003000	-----
4	K1	Contacto	SIEMENS	3RT6016-1AN21	230VAC 50/60Hz	1	YE00601621000	-----
5	K2	Contacto	SIEMENS	3RT6027-1AN20	230VAC 50/60Hz	1	YE00602722000	-----
6	K3	Compressor protector	-----	-----	-----	1	-----	-----
7	A	Temperature controller	CAREL	PJEZS0P0E0	230VAC 50/60Hz	1	YE80000001400	-----
8	RT	Thermal resistance	CAREL	NTC025HP00	-----	1	YE10250000000	-----
9	F1	Thermal overload relay	SIEMENS	3RU6116-1GB0	4.5-6.32A	1	YE01160450000	-----
10	F2	Thermal overload relay	SIEMENS	3RU6126-4EB0	27-32A	1	YE01612600600	-----
11	F11	Fuse	YINDA	FS-10	2A	1	YE41001000000	-----
12	S1 S2	Alternative switch	MOLVETNO	R210-C5LBW	250V~10(5)A 4P WH	2	YE10210400000	-----
13	S3	Anti-frozen switch	PADOIGY	TR/711-N	250V~16(4)A	1	-----	(1)
14	S4	HI-LO pressure switch	FENSHEN	P830HLM	HI-5-30bar L:-0.7-6bar	1	-----	(1)
15	PCB	Control board	YUYUN	AA-01	230V 50Hz	1	YE80000100000	-----
16	X1	Terminal board	PHOENIX	2.5mm <sup>2</sup>	-----	23	YE60002503200	-----
17		Earth terminal board	PHOENIX	2.5mm <sup>2</sup>	-----	2	YE61002500500	-----
18		Terminal board	PHOENIX	6.0mm <sup>2</sup>	-----	3	YE60000603200	-----
19		Earth terminal board	PHOENIX	6.0mm <sup>2</sup>	-----	1	YE60000603500	-----
20		Terminal board	PHOENIX	10.0mm <sup>2</sup>	-----	1	YE60001003200	-----
21		Earth terminal board	PHOENIX	10.0mm	-----	1	YE60001003500	-----
22	M1	Pump motor	-----	-----	400V 50Hz	1	See the appendix	(1)
23	M2	Compressor	-----	-----	400V 50Hz 13.4KW	1	-----	(1)
24	EH1	Crankcase heating zone	-----	-----	230V 50/60Hz 45W	1	-----	(1)
Note: (1) Materials not in the control box;								
				B	Title	Drawing NO.	Scale	Page
				Version	SIC-15W	SIC-15W-CE-400V-B-4	Standard	4
				Approved by	Elec. Parts List	CE	Voltage	4
				Date	20200119	Frequency	400V	8
				Checked by				
				Modify date				
				Modified by				
				After modification				
				Before modification				
				Mark				





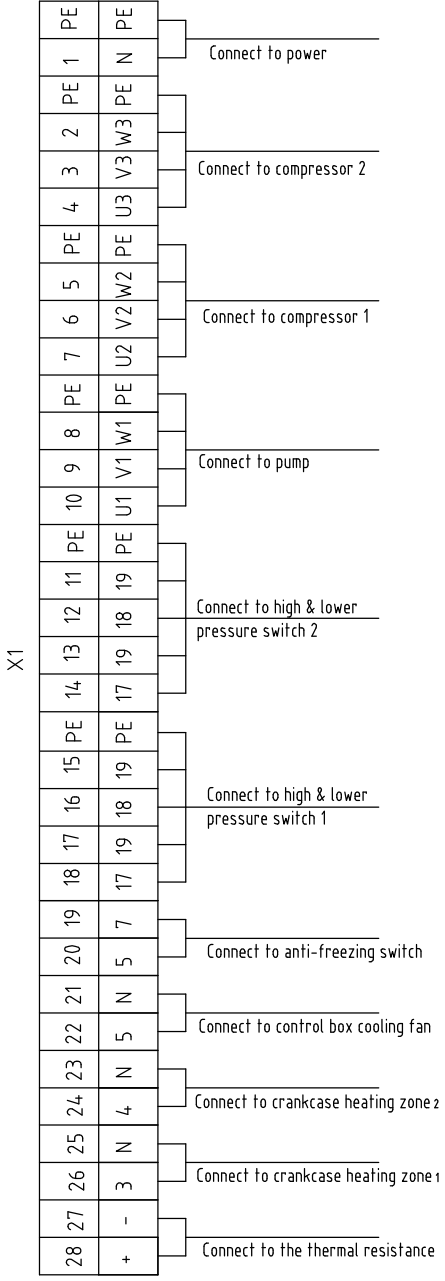
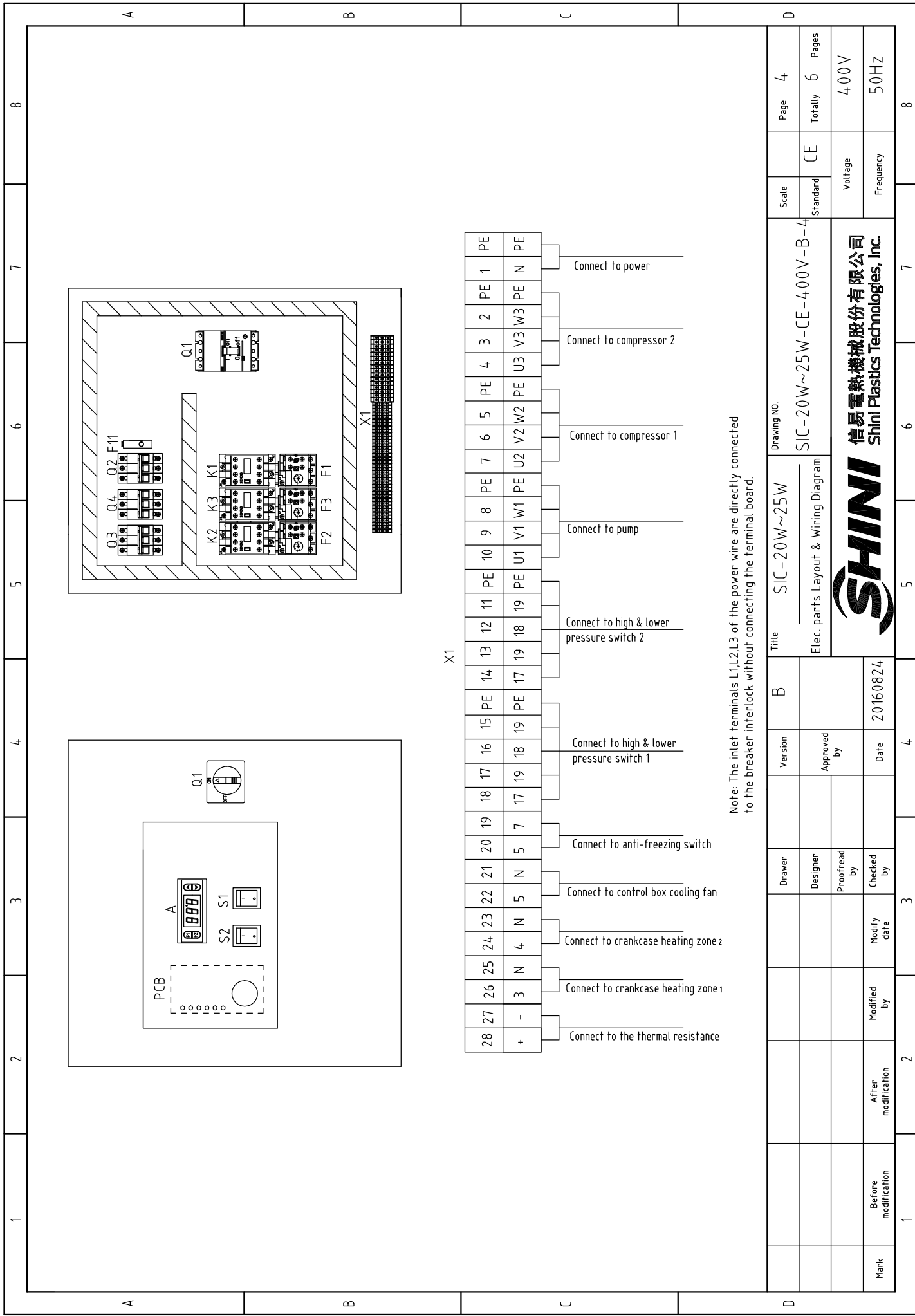
Mark	Before modification	Modified by	Modify date	Checked by	Date	Approved by	Version	B	Title	Drawing NO.	Scale	Page
	After modification	Modified by	Modify date								Standard	Totally
SIC-20W										SIC-20W~25W-CE-400V-B-1	CE	1
Main Circuit Diagram											6	
SHINI 信易電熱機械股份有限公司 Shini Plastics Technologies, Inc.										Voltage	400V	
										Frequency	50Hz	
1	2	3	4	5	6	7	8				8	



Drawing NO.		SIC-20W~25W		SIC-20W~25W-CE-400V-C-3		Page 3	
Title		Control Circuit Diagram		Standard CE		Totally 6 Pages	
Version		20210121		Voltage 400V		Frequency 50HZ	
Approved by		Date		Voltage		Frequency	
Checked by		Date		Voltage		Frequency	
Modified by		Date		Voltage		Frequency	
After modification		Date		Voltage		Frequency	
Before modification		Date		Voltage		Frequency	



\$: Normally closed contact of the optional protector reserved, which is short circuit when without the protector.



Note: The inlet terminals L1,L2,L3 of the power wire are directly connected to the breaker interlock without connecting the terminal board.

Title		Drawing No.		Scale	Page
SIC-20W~25W		SIC-20W~25W-CE-400V-B-4		CE	4
Elec. parts Layout & Wiring Diagram				Standard	Totally 6
				Voltage	400V
				Frequency	50Hz
Version		Approved by		Date	
20160824					
Drawer		Designer		Proofread by	
Modified by		Modified date		Checked by	
After modification					
Before modification					
Mark					



1	2		3	4		5	6		7	8
NO.	Symbol	Name	Manufacturer	Type	Specification	Number	Material number	Remark		
1	Q1	Main power switch	ABB	A1A125TMF90/9003PFF	90A	1	YE41109200000	-----		
2	Q2	Circuit breaker	TECO	BM-63C/3016S	16A	1	YE40301603000	-----		
3	Q3 Q4	Circuit breaker	TECO	BM-63C/3040S	40A	2	YE40304003000	-----		
4	K1	Contact	SIEMENS	3RT6017-1AN21	230VAC 50/60Hz	1	YE00601721000	-----		
5	K2 K3	Contact	SIEMENS	3RT6026-1AN20	230VAC 50/60Hz	2	YE00602622000	-----		
6	A	Temperature controller	CAREL	PZXS0G001	230VAC 50/60Hz	1	YE80000100100	-----		
7	RT	Thermal resistance	CAREL	NTC025HP00	----	1	YE102500000000	-----		
8	F1	Thermal overload relay	SIEMENS	3RU6116-1HB0	5.5-8A	1	YE01160550000	-----		
9	F2 F3	Thermal overload relay	SIEMENS	3RU6126-4CB0	17-22A	2	YE01260170000	-----		
10	F11	Fuse	YINDA	FS-10	2A	1	YE41001000000	-----		
11	S1 S2	Alternative switch	MOLVETNO	R210-C5LBW	250V~10(5)A 4P WH	2	YE10210400000	-----		
12	S3	Anti-frozen switch	-----	-----	-----	1	-----	(1)		
13	S4 S5	HI-LO pressure switch	-----	-----	-----	2	-----	(1)		
14	PCB	Control board	YUYUN	AA-01	230V 50Hz	1	YE80000100000	-----		
15	X1	Terminal board	-----	2.5mm <sup>2</sup>	-----	21	YE60002503200	-----		
16		Earth terminal board	-----	2.5mm <sup>2</sup>	-----	3	YE61002500500	-----		
17		Terminal board	-----	4.0mm <sup>2</sup>	-----	6	YE60000403200	-----		
18		Earth terminal board	-----	4.0mm <sup>2</sup>	-----	2	YE61041000000	-----		
19		Terminal board	DINKLE	DKB60(65A)	-----	2	YE60606506000	-----		
20	M1	Pump motor	-----	-----	400V 50Hz	1	See the appendix	(1)		
21	M2 M3	Compressor	-----	-----	400V 50Hz 9.06KW	2	-----	(1)		
22	EH1 EH2	Crankcase heating zone	-----	-----	230V 50/60Hz 45W	2	-----	(1)		
23	FM	Fan	-----	-----	230V 50/60Hz	1	-----	(1)		
24										

D		C		B		A	
Mark	Before modification	After modification	Modified by	Modify date	Checked by	Proofread by	Designer

D			C			B			A		
Title			Version			Drawing NO.			Scale		
SIC-20W						SIC-20W~25W-CE-400V-C-5			Standard		
Elec. Parts List									Voltage		
									Frequency		
									400V		
									50Hz		

Note:(1)Materials not in the control box.(2) Options;

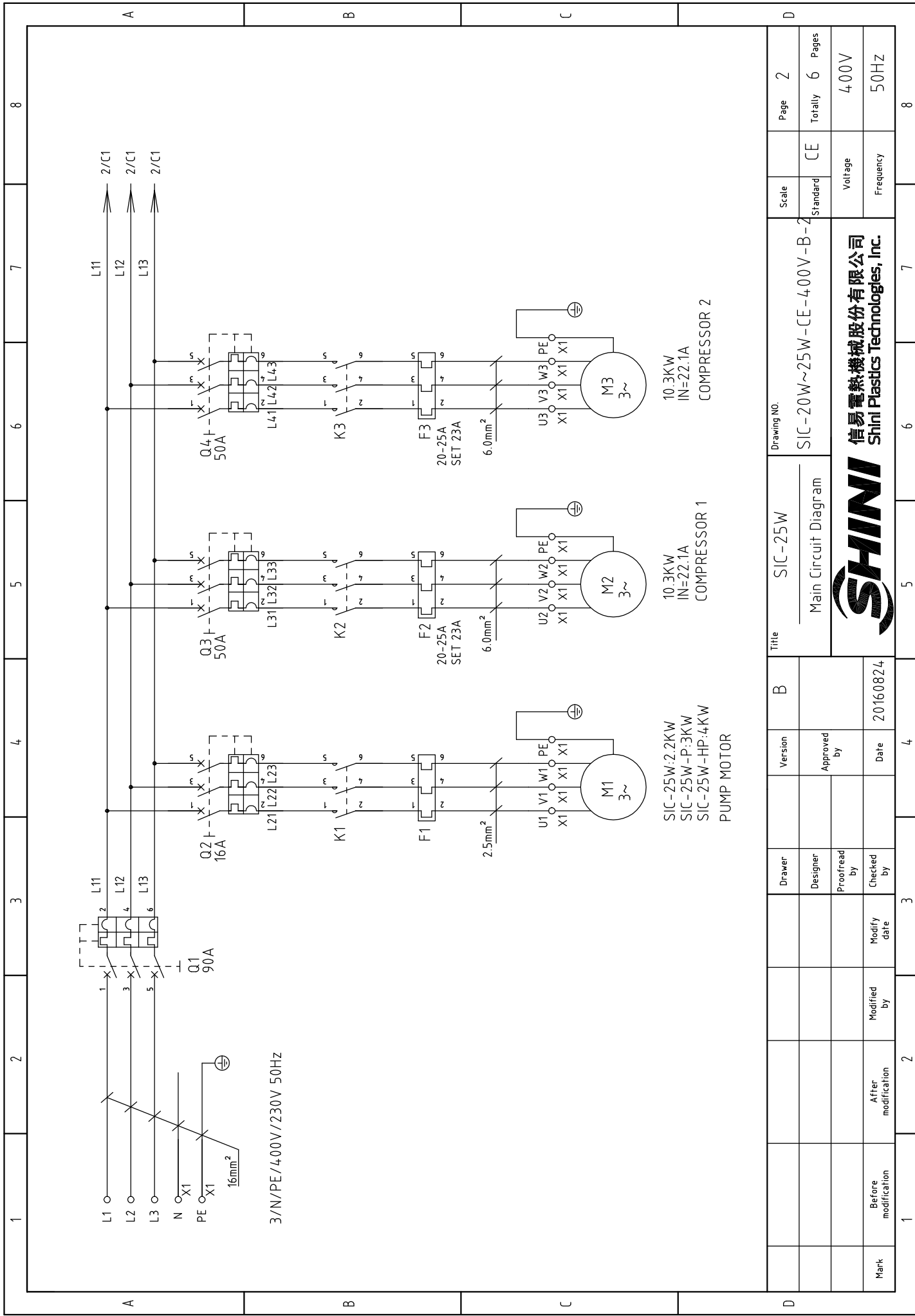
  

1		2		3		4		5		6		7		8	
Page	Totally	Page	Totally	Page	Totally	Page	Totally	Page	Totally	Page	Totally	Page	Totally	Page	Totally
5	6	5	6	5	6	5	6	5	6	5	6	5	6	5	6

信易電熱機械股份有限公司  
Shini Plastics Technologies, Inc.

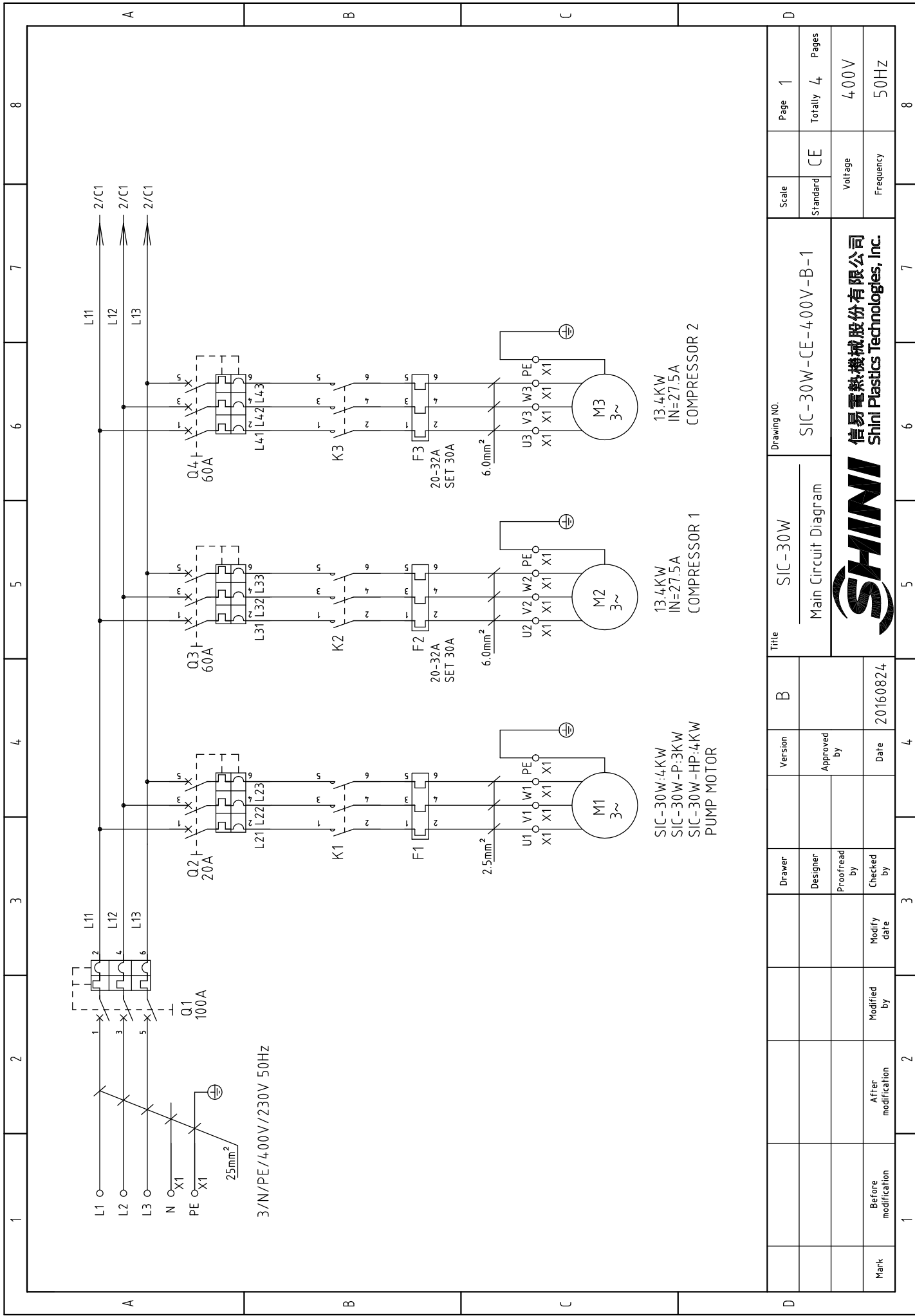




Drawing NO.		SIC-20W~25W-CE-400V-B-2		Page	2
Title		SIC-25W Main Circuit Diagram		Standard	CE
Version		B		Voltage	400V
Approved by				Frequency	50HZ
Date		20160824		Totally 6 Pages	
Checked by				8	
Modify date				7	
Modified by				6	
After modification				5	
Before modification				4	
Mark				3	
				2	
				1	

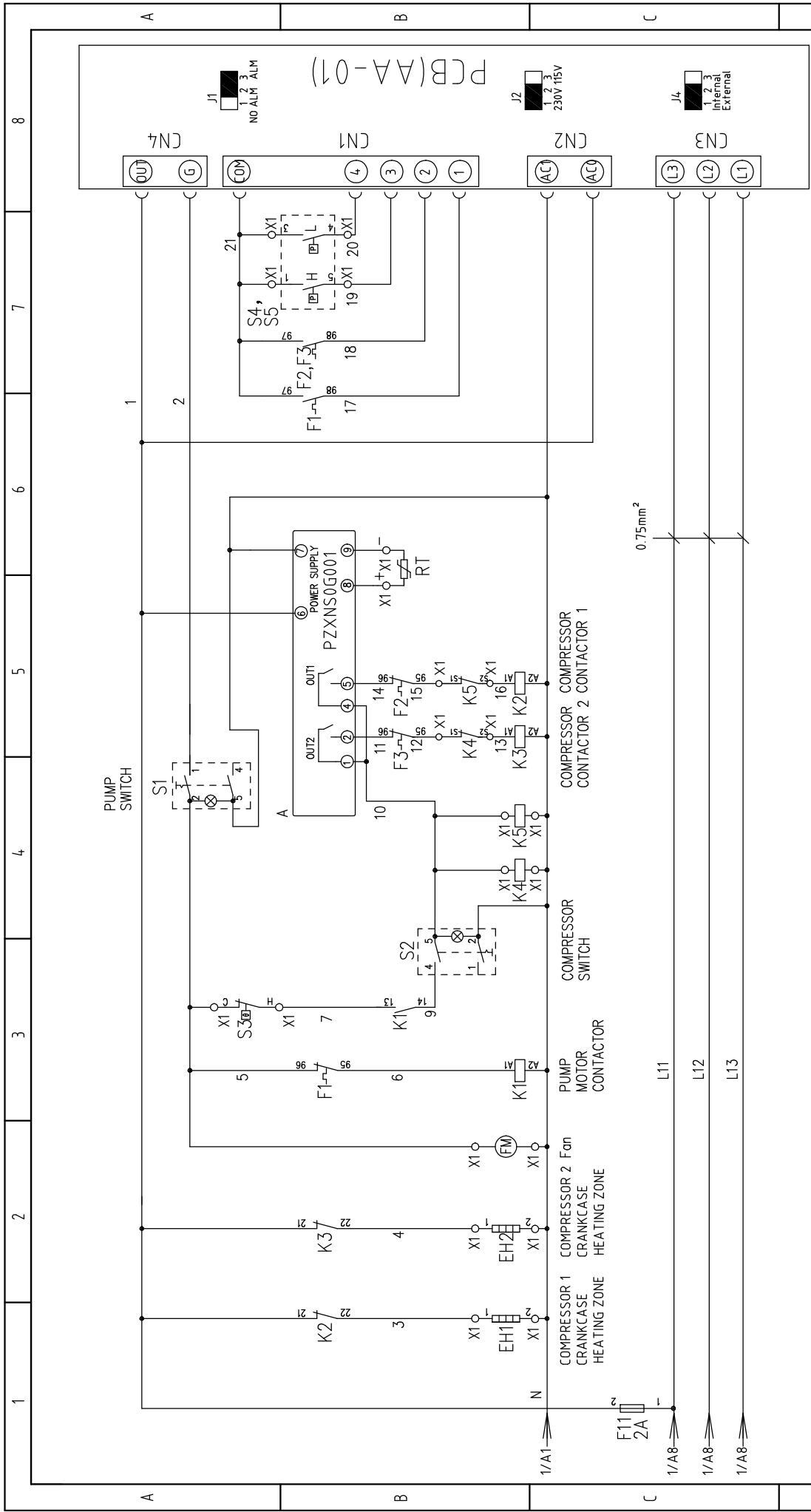


1		2		3		4		5		6		7		8	
NO.	Symbol	Name	Manufacturer	Type	Specification	Number	Material number	Remark							
1	Q1	Breaker interlock	ABB	A1A125TMF90/9003PFF	90A	1	YE41109200000	-----							
2	Q2	Circuit breaker	TECO	BM-63C/3016S	16A	1	YE40301603000	-----							
3	Q3 Q4	Circuit breaker	TECO	BM-63C/3050S	50A	2	YE40305003000	-----							
4	K1	Contacto	SIEMENS	3RT16017-1AN21	230VAC 50/60Hz	1	YE00601721000	-----							
5	K2 K3	Contacto	SIEMENS	3RT16027-1AN20	230VAC 50/60Hz	2	YE00602722000	-----							
6	A	Temperature controller	CAREL	PZXNS05001	230VAC 50/60Hz	1	YE80000100100	-----							
7	RT	Thermal resistance	CAREL	NTC025HP00	----	1	YE10250000000	-----							
8	F1	Thermal overload relay	SIEMENS	3RU6116-1HB0	5.5-8A	1	YE01160550000	-----							
9	F2 F3	Thermal overload relay	SIEMENS	3RU6126-4DB0	20-25A	2	YE01260200000	-----							
10	F11	Fuse	YINDA	FS-10	2A	1	YE41001000000	-----							
11	S1 S2	Alternative switch	MOLVETNO	R210-C5LBW	250V~10(5)A 4P WH	2	YE10210400000	-----							
12	S3	Anti-frozen switch	----	----	----	1	----	(1)							
13	S4 S5	HI-LO pressure switch	----	----	----	2	----	(1)							
14	PCB	Control board	YUYUN	AA-01	230V 50Hz	1	YE80000100000	-----							
15	X1	Terminal board	----	2.5mm <sup>2</sup>	----	21	YE60002503200	-----							
16		Earth terminal board	----	2.5mm <sup>2</sup>	----	3	YE61002500500	-----							
17		Terminal board	----	6.0mm <sup>2</sup>	----	6	YE61060000000	-----							
18		Earth terminal board	----	6.0mm <sup>2</sup>	----	2	YE61063500000	-----							
19		Terminal board	DINKLE	DKB60(65A)	----	2	YE60606506000	-----							
20	M1	Pump motor	----	----	400V 50Hz	1	See the appendix	(1)							
21	M2 M3	Compressor	----	----	400V 50Hz 10.3KW	2	----	(1)							
22	EH1 EH2	Crankcase heating zone	----	----	230V 50/60Hz 4.5W	2	----	(1)							
23	FM	Fan	----	----	230V 50/60Hz	1	----	(1)							
24															
Note: (M)Materials not in the control box;															
						Version		C		Title		SIC-25W		Drawing NO.	
		Drawer		Designer		Approved by				Elec. Parts List		SIC-20W~25W-CE-400V-C-6		Scale	
		Proofread by		Checked by		Date		20210121				Standard		CE	
Mark		Before modification		After modification		Modified by		Modify date				Voltage		Page	
												4.00V		6	
												Frequency		Page	
												50HZ		6	
														8	
 <b>信易電熱機械股份有限公司</b> <b>Shini Plastics Technologies, Inc.</b>															



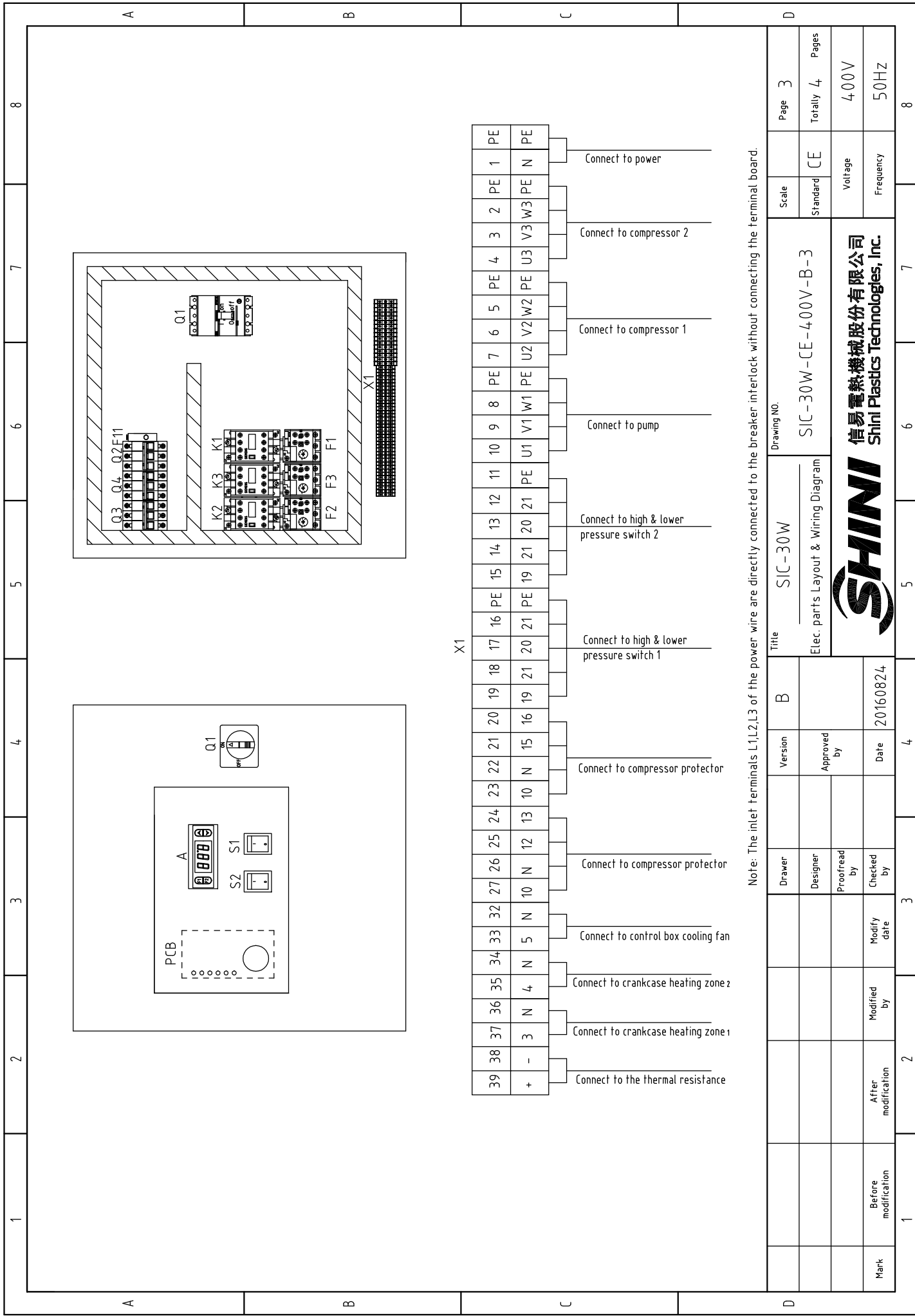
Mark	Before modification	Modified by	Modify date	Version	B	Title	Drawing No.	Scale	Page 1
	After modification	Modified by	Modify date					Standard	Totally 4
				SIC-30W		SIC-30W-CE-400V-B-1		CE	4
				Approved by		Voltage		400V	
				Checked by		Frequency		50Hz	
				Date		20160824		8	

**SHINI**  
信易電熱機械股份有限公司  
Shini Plastics Technologies, Inc.



K4, K5 are the reserved compressor; M3, M4 are the normally closed contactor of the optional protector, which is short circuit when without the protector.

Mark		Before modification	Modified by	Modify date	Checked by	Date	Approved by	Version	Title		Drawing NO.		Scale	Page	
1	2	3	4	5	6	7	8	SIC-30W		SIC-30W-CE-400V-C-2		CE	2		
Totaly		4		Pages		400V		Frequency		50Hz		Standard		Voltage	
SHINI		信易電熱機械股份有限公司		Shini Plastics Technologies, Inc.		20210121		Date		20210121		Checked by		Frequency	



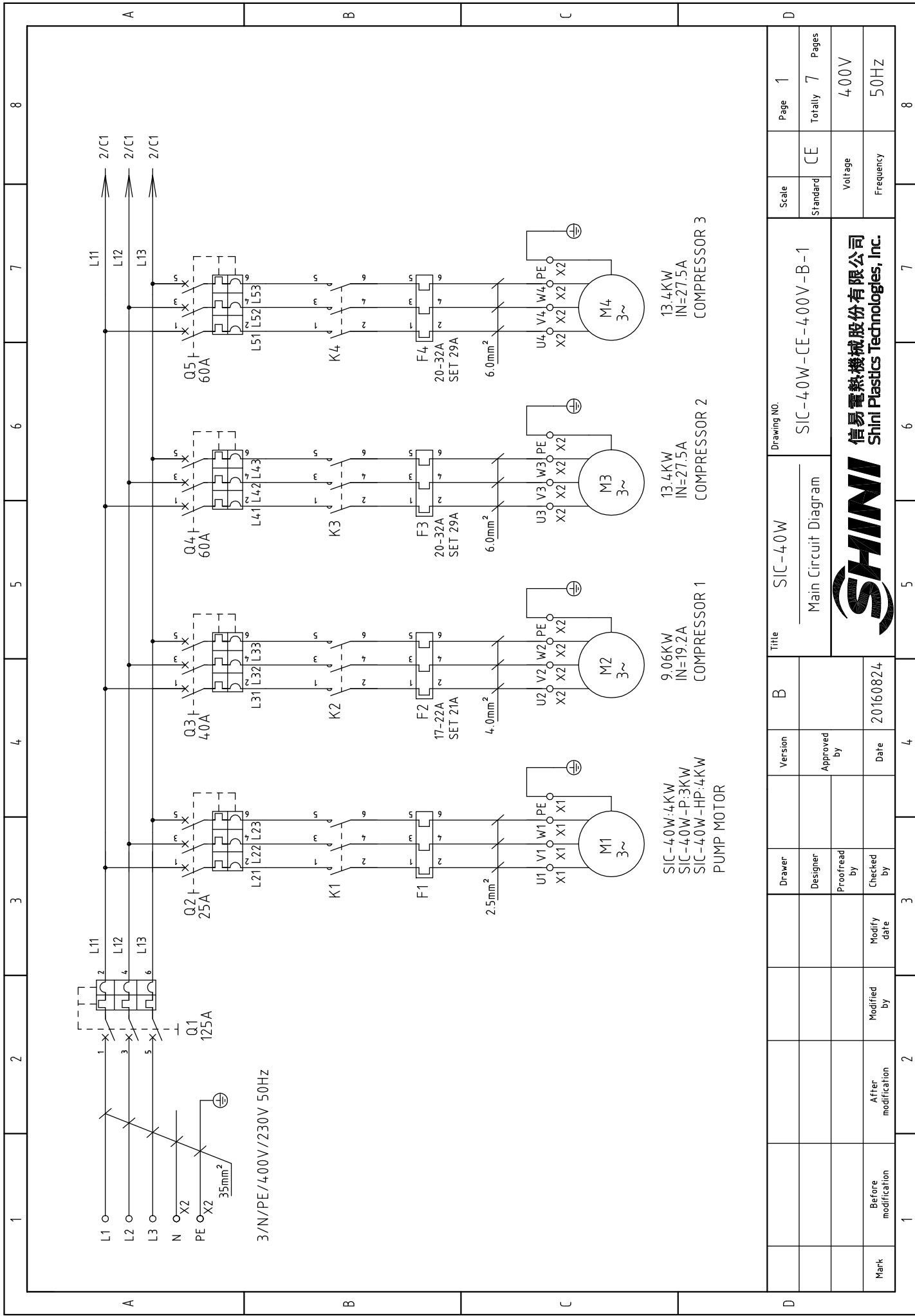
39	+	Connect to the thermal resistance	1	2	3	4	5	6	7	8	PE	1	PE
38	-	Connect to crankcase heating zone 1	1	2	3	4	5	6	7	8	PE	2	PE
37	N	Connect to crankcase heating zone 2	1	2	3	4	5	6	7	8	PE	3	PE
36	N	Connect to control box cooling fan	1	2	3	4	5	6	7	8	PE	4	PE
35	N	Connect to compressor protector	1	2	3	4	5	6	7	8	PE	5	PE
34	N	Connect to compressor protector	1	2	3	4	5	6	7	8	PE	6	PE
33	N	Connect to compressor protector	1	2	3	4	5	6	7	8	PE	7	PE
32	N	Connect to high & lower pressure switch 1	1	2	3	4	5	6	7	8	PE	8	PE
31	N	Connect to high & lower pressure switch 2	1	2	3	4	5	6	7	8	PE	9	PE
30	N	Connect to pump	1	2	3	4	5	6	7	8	PE	10	PE
29	N	Connect to compressor 1	1	2	3	4	5	6	7	8	PE	11	PE
28	N	Connect to compressor 2	1	2	3	4	5	6	7	8	PE	12	PE
27	N	Connect to power	1	2	3	4	5	6	7	8	PE	13	PE
26	N		1	2	3	4	5	6	7	8	PE	14	PE
25	N		1	2	3	4	5	6	7	8	PE	15	PE
24	N		1	2	3	4	5	6	7	8	PE	16	PE
23	N		1	2	3	4	5	6	7	8	PE	17	PE
22	N		1	2	3	4	5	6	7	8	PE	18	PE
21	N		1	2	3	4	5	6	7	8	PE	19	PE
20	N		1	2	3	4	5	6	7	8	PE	20	PE
19	N		1	2	3	4	5	6	7	8	PE	21	PE
18	N		1	2	3	4	5	6	7	8	PE	22	PE
17	N		1	2	3	4	5	6	7	8	PE	23	PE
16	N		1	2	3	4	5	6	7	8	PE	24	PE
15	N		1	2	3	4	5	6	7	8	PE	25	PE
14	N		1	2	3	4	5	6	7	8	PE	26	PE
13	N		1	2	3	4	5	6	7	8	PE	27	PE
12	N		1	2	3	4	5	6	7	8	PE	28	PE
11	N		1	2	3	4	5	6	7	8	PE	29	PE
10	N		1	2	3	4	5	6	7	8	PE	30	PE
9	N		1	2	3	4	5	6	7	8	PE	31	PE
8	N		1	2	3	4	5	6	7	8	PE	32	PE
7	N		1	2	3	4	5	6	7	8	PE	33	PE
6	N		1	2	3	4	5	6	7	8	PE	34	PE
5	N		1	2	3	4	5	6	7	8	PE	35	PE
4	N		1	2	3	4	5	6	7	8	PE	36	PE
3	N		1	2	3	4	5	6	7	8	PE	37	PE
2	N		1	2	3	4	5	6	7	8	PE	38	PE
1	N		1	2	3	4	5	6	7	8	PE	39	PE

Note: The inlet terminals L1,L2,L3 of the power wire are directly connected to the breaker interlock without connecting the terminal board.

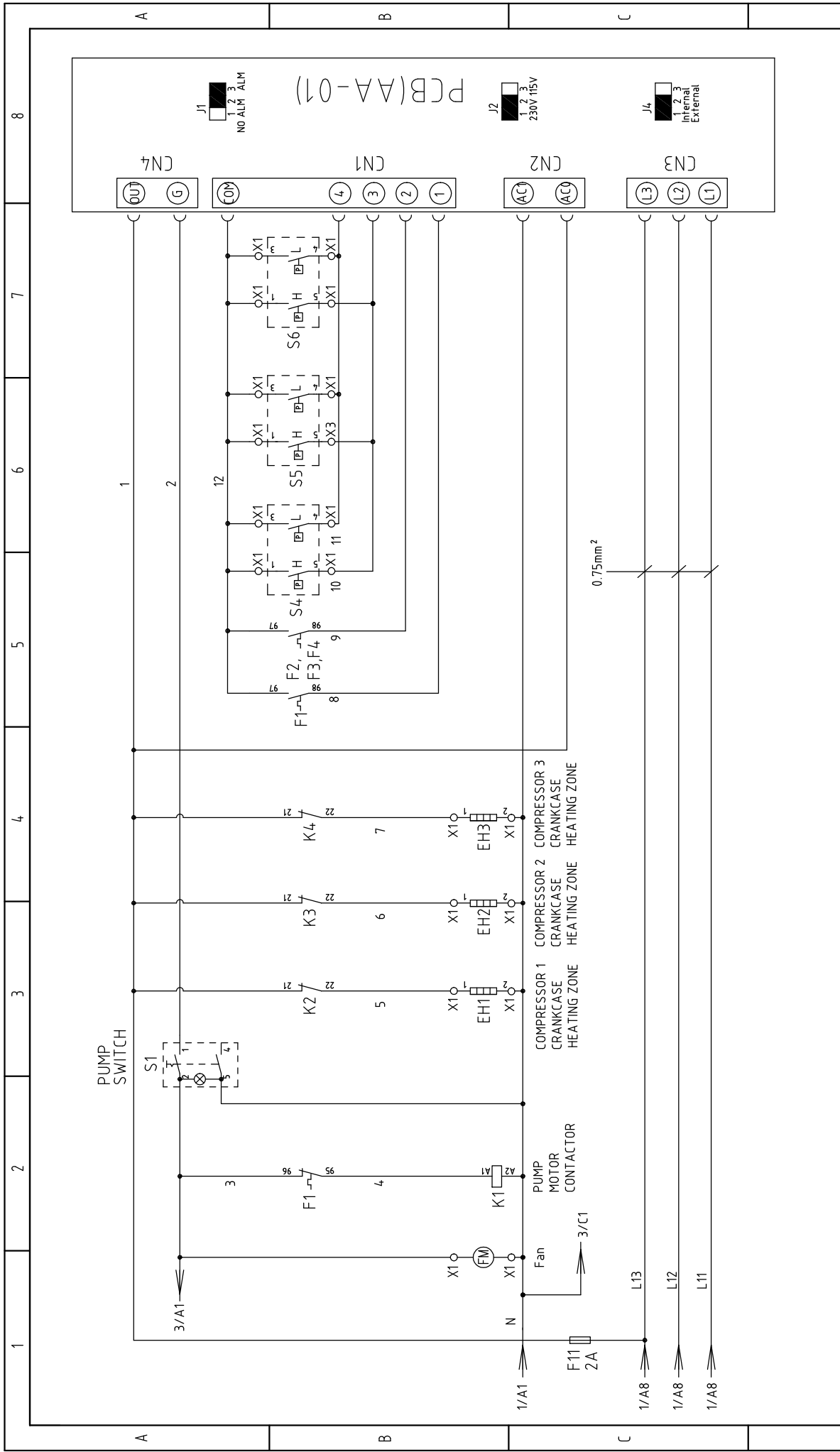
D	Scale	Page	3
	Standard	Totally	4
Voltage	400V	Frequency	50HZ
	50HZ		50HZ
Title		SIC-30W	
Drawing NO.		SIC-30W-CE-400V-B-3	
Elec. parts Layout & Wiring Diagram		信易電熱機械股份有限公司 Shini Plastics Technologies, Inc.	
Version	B	Date	20160824
Approved by		Checked by	
Drawer		Modified by	
Designer		Modify date	
Proofread by		After modification	

1		2		3		4		5		6		7		8	
NO.	Symbol	Name	Manufacturer	Type	Specification	Number	Material number	Remark							
1	Q1	Breaker interlock	ABB	A1A125TMF100/10003PFF	100A	1	YE41110200000	----							
2	Q2	Circuit breaker	TECO	BM-63C/3020S	20A	1	YE40302003000	----							
3	Q3 Q4	Circuit breaker	TECO	BM-63C/3063S	63A	2	YE40306303000	----							
4	K1	Contact	SIEMENS	3RT6017-1AN21	230VAC 50/60Hz	1	YE00601721000	----							
5	K2 K3	Contact	SIEMENS	3RT6027-1AN20	230VAC 50/60Hz	2	YE00602722000	----							
6	K4 K5	Compressor protector	-----	-----	-----	2	-----	----							
7	A	Temperature controller	CAREL	PZXNS0G001	230VAC 50/60Hz	1	YE80000100100	----							
8	RT	Thermal resistance	CAREL	NTC025HP00	----	1	YE1025000000000	----							
9	F1	Thermal overload relay	SIEMENS	3RU6116-1JB0	7-10A	1	YE01167100000	----							
10	F2 F3	Thermal overload relay	SIEMENS	3RU5136-4EB0	22-32A	2	YE0122320000000	----							
11	F11	Fuse	YINDA	FS-10	2A	1	YE4100100000000	----							
12	S1 S2	Alternative switch	MOLVETNO	T120/55	250V~10(5)A 4P WH	2	YE1021040000000	----							
13	S3	Anti-frozen switch	-----	-----	-----	1	-----	(1)							
14	S4 S5	HI-LO pressure switch	-----	-----	-----	2	-----	(1)							
15	PCB	Control board	YUYUN	AA-01	230V 50Hz	1	YE8000010000000	----							
16	X1	Terminal board	-----	2.5mm <sup>2</sup>	-----	28	YE60002503200	----							
17		Earth terminal board	-----	2.5mm <sup>2</sup>	-----	3	YE61002500500	----							
18		Terminal board	-----	6.0mm <sup>2</sup>	-----	6	YE60000603200	----							
19		Earth terminal board	-----	6.0mm <sup>2</sup>	-----	2	YE60000603500	----							
20		Terminal board	DINKLE	DKB100(115A)	-----	2	YE60100006900	----							
21	M1	Pump motor	-----	-----	400V 50Hz	1	See the appendix	(1)							
22	M2 M3	Compressor	-----	-----	400V 50Hz 13.4KW	2	-----	(1)							
23	EH1 EH2	Crankcase heating zone	-----	-----	230V 50/60Hz 45W	2	-----	(1)							
24	FM	Fan	-----	-----	230V 50/60Hz	1	-----	(1)							
25															
Note:(1)Materials not in the control box;															
				C		Title		SIC-30W		Drawing NO.		SIC-30W-CE-400V-C-4		Page 4	
				Version		Elec. Parts List 1		-----		Standard		CE		Totaly 4	
				Approved by		-----		-----		Voltage		400V		Pages	
				Date		20210121		-----		Frequency		50HZ			
				Modified by		-----		-----		Voltage		400V			
				Checked by		-----		-----		Frequency		50HZ			
				Date		20210121		-----		Voltage		400V			
				Date		20210121		-----		Frequency		50HZ			
				Date		20210121		-----		Voltage		400V			
				Date		20210121		-----		Frequency		50HZ			
				Date		20210121		-----		Voltage		400V			
				Date		20210121		-----		Frequency		50HZ			



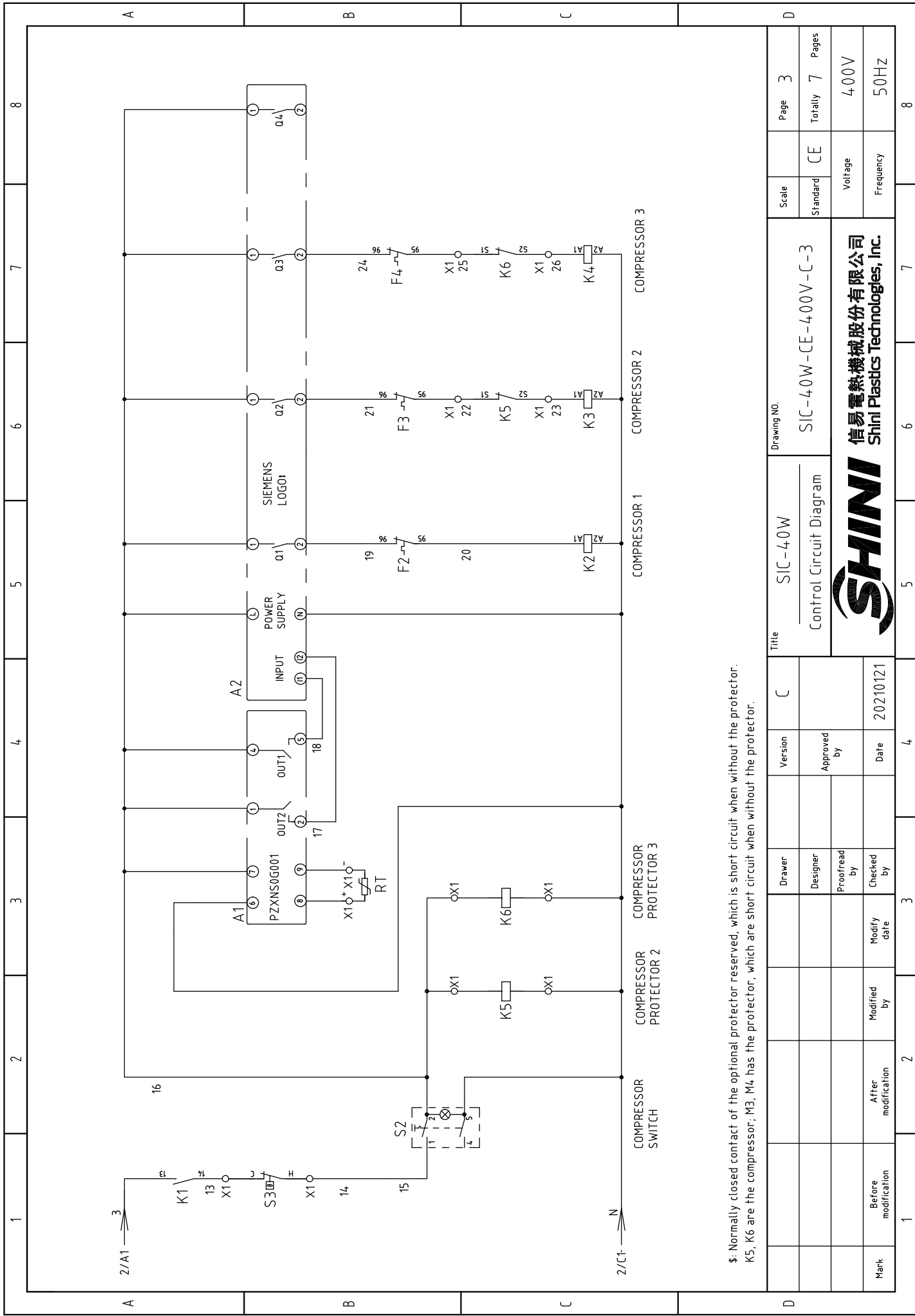


1		2		3		4		5		6		7		8	
A		B		C		D		Scale		Page 1		Standard		Totally 7 Pages	
A		B		C		D		SIC-40W		SIC-40W-CE-400V-B-1		Voltage		400V	
A		B		C		D		Main Circuit Diagram		Drawing NO.		Frequency		50HZ	
A		B		C		D		Version		Title		SHINI		信易電熱機械股份有限公司 Shini Plastics Technologies, Inc.	
A		B		C		D		Approved by		SIC-40W		SHINI		SHINI Plastics Technologies, Inc.	
A		B		C		D		Date		Main Circuit Diagram		SHINI		SHINI Plastics Technologies, Inc.	
A		B		C		D		20160824		SIC-40W		SHINI		SHINI Plastics Technologies, Inc.	
A		B		C		D		Modified by		SIC-40W		SHINI		SHINI Plastics Technologies, Inc.	
A		B		C		D		Modify date		SIC-40W		SHINI		SHINI Plastics Technologies, Inc.	
A		B		C		D		After modification		SIC-40W		SHINI		SHINI Plastics Technologies, Inc.	
A		B		C		D		Before modification		SIC-40W		SHINI		SHINI Plastics Technologies, Inc.	
A		B		C		D		Mark		SIC-40W		SHINI		SHINI Plastics Technologies, Inc.	



Title		SIC-40W		Drawing NO.		SIC-40W-CE-400V-B-2		Page 2	
Version		B		Control Circuit Diagram		Standard		CE	
Designer		Approved by		SHINI		Voltage		400V	
Proofread by		Date		信易電熱機械股份有限公司 Shini Plastics Technologies, Inc.		Frequency		50HZ	
Checked by		20160824		SHINI		Totality		7 Pages	
Modified by		Modify date		0.75mm <sup>2</sup>		Scale		Page 2	
After modification		2		1		Standard		CE	
Before modification		3		4		Voltage		400V	
Mark		1		2		Frequency		50HZ	
		3		4		Totality		7 Pages	
		3		4		Scale		Page 2	
		3		4		Standard		CE	
		3		4		Voltage		400V	
		3		4		Frequency		50HZ	

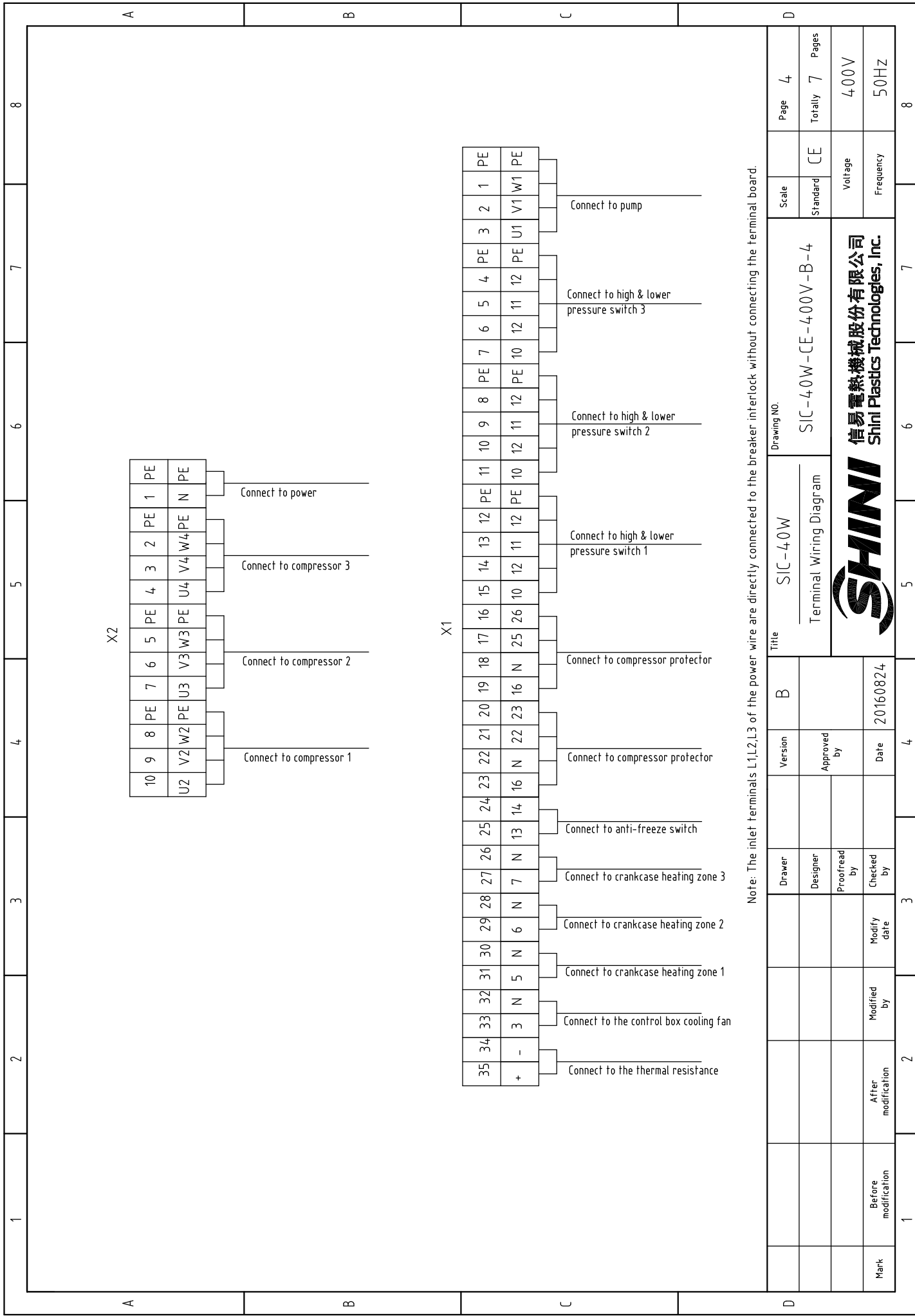




\$. Normally closed contact of the optional protector reserved, which is short circuit when without the protector.  
 K5, K6 are the compressor; M3, M4 has the protector, which are short circuit when without the protector.

Title		SIC-40W		Drawing NO.		Page 3	
Control Circuit Diagram		SIC-40W-CE-400V-C-3		Standard		CE	
Version		C		Voltage		400V	
Designer		Approved by		Frequency		50HZ	
Proofread by		Date		Totaly		7	
Checked by		20210121		Pages		8	
Modified by		Modify date		Voltage		400V	
After modification		1		Frequency		50HZ	
Before modification		2		Totaly		7	
Mark		3		Voltage		400V	
		4		Frequency		50HZ	
		5		Totaly		7	
		6		Voltage		400V	
		7		Frequency		50HZ	
		8		Totaly		7	





X2

10	9	8	PE	7	6	5	PE	4	3	2	PE	1	PE
U2	V2	W2	PE	U3	V3	W3	PE	U4	V4	W4	PE	N	PE

Connect to compressor 1

Connect to compressor 2

Connect to compressor 3

Connect to power

X1

35	34	33	32	31	30	29	28	27	26	25	24	23	22	21	20	19	18	17	16	15	14	13	12	PE	11	10	9	8	PE	7	6	5	4	PE	3	2	1	PE		
+	-	3	N	5	N	6	N	7	N	13	14	16	N	22	23	16	N	25	26	10	12	11	12	PE	10	12	PE	10	12	PE	10	12	PE	10	12	PE	U1	V1	W1	PE

Connect to the thermal resistance

Connect to the control box cooling fan

Connect to crankcase heating zone 1

Connect to crankcase heating zone 2

Connect to crankcase heating zone 3

Connect to anti-freeze switch

Connect to compressor protector

Connect to compressor protector

Connect to high & lower pressure switch 1

Connect to high & lower pressure switch 2

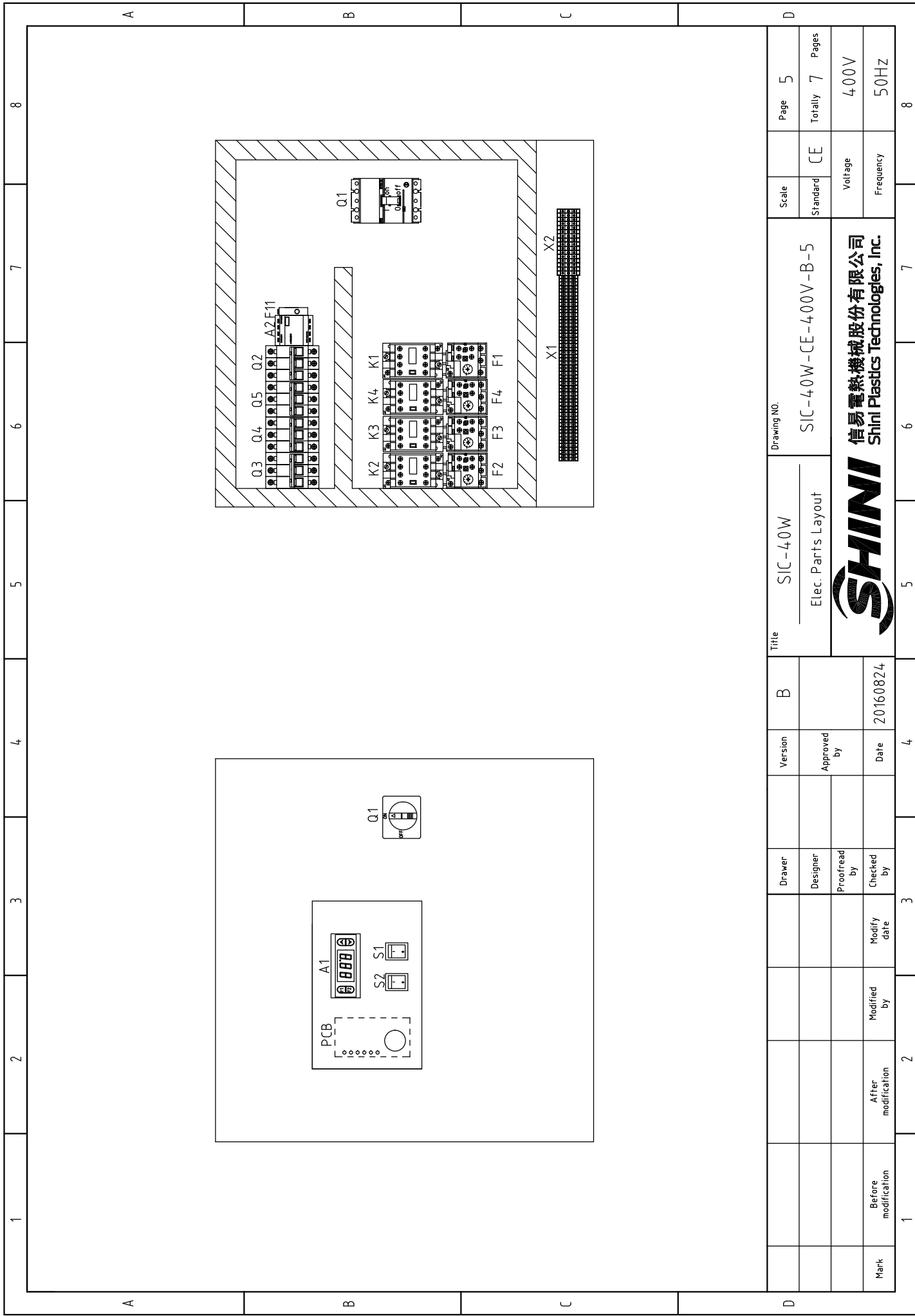
Connect to high & lower pressure switch 3

Connect to pump

Note: The inlet terminals L1,L2,L3 of the power wire are directly connected to the breaker interlock without connecting the terminal board.

Mark	Before modification	Modified by	Modify date	Checked by	20160824	Date	Version	B	Title	SIC-40W		Drawing NO.	SIC-40W-CE-4.00V-B-4		Scale	Page	4
	After modification	Modified by	Modify date	Checked by	20160824	Date		Standard		CE	Totally		7	Pages		4.00V	50HZ





Mark	Before modification	Modified by	Modify date	Checked by	Proofread by	Designer	Drawer	Version	B	Title SIC-40W Elec. Parts Layout		Drawing No. SIC-40W-CE-400V-B-5		Scale	Page	
	After modification	Modified by	Modify date	Checked by	Proofread by	Designer	Drawer	Version	B	Title SIC-40W Elec. Parts Layout		Drawing No. SIC-40W-CE-400V-B-5		Standard	Page	
													Voltage		400V	
													Frequency		50HZ	
													Standard		CE	
													Totally		7	
													Pages		5	
													Voltage		400V	
													Frequency		50HZ	
													Standard		CE	
													Totally		7	
													Pages		5	

**SHINI** 信易電熱機械股份有限公司  
Shini Plastics Technologies, Inc.

1	2		3	4	5	6	7	8
NO.	Symbol	Name	Manufacturer	Type	Specification	Number	Material number	Remark
1	Q1	Breaker interlock	ABB	A1A125TMF125/12503PFF	125A	1	YE411614-00000	----
2	Q2	Circuit breaker	TECO	BM-63C/3025S	25A	1	YE40302503000	----
3	Q3	Circuit breaker	TECO	BM-63C/3040S	40A	1	YE40304003000	----
4	Q4 Q5	Circuit breaker	TECO	BM-63C/3063S	63A	2	YE40306303000	----
5	K1	Contact	SIEMENS	3RT6017-1AN21	230VAC 50/60Hz	1	YE00601721000	----
6	K2	Contact	SIEMENS	3RT6026-1AN20	230VAC 50/60Hz	1	YE00602622000	----
7	K3 K4	Contact	SIEMENS	3RT6027-1AN20	230VAC 50/60Hz	2	YE00602722000	----
8	K5 K6	Compressor protector	----	----	----	2	----	----
9	A1	Temperature controller	CAREL	PZXNS0G001	230VAC 50/60Hz	1	YE80000100100	----
10	A2	LOGO! controller	SIEMENS	LOGO! 230RCO	AC115-230V no display	1	YE81023000600	----
11	RT	Thermal resistance	CAREL	NTC025HP00	----	1	YE10250000000	----
12	F1	Thermal overload relay	SIEMENS	3RU6116-1JB0	7-10A	1	YE01167100000	----
13	F2	Thermal overload relay	SIEMENS	3RU6126-4EB0	17-22A	1	YE01260170000	----
14	F3 F4	Thermal overload relay	SIEMENS	3RU5136-4EB0	22-32A	2	YE01223200000	----
15	F11	Fuse	YINDA	FS-10	2A	1	YE41001000000	----
16	S1 S2	Alternative switch	MOLVETNO	R210-C5LBW	250V~10(5)A 4P WH	2	YE102104-00000	----
17	S3	Anti-frozen switch	----	----	----	1	----	(1)
18	S4 S5 S6	HI-LO pressure switch	----	----	----	3	----	(1)
19	PCB	Control board	YUYUN	AA-01	230V 50Hz	1	YE80000100000	----
20	X1	Terminal board	----	2.5mm <sup>2</sup>	----	35	YE60002503200	----
21		Terminal board	----	2.5mm <sup>2</sup>	----	4	YE61002500500	----
22	X2	Terminal board	----	4mm <sup>2</sup>	----	3	YE60000403200	----
23		Earth terminal board	----	4mm <sup>2</sup>	----	1	YE61041000000	----
24		Terminal board	----	6mm <sup>2</sup>	----	6	YE60000603200	----
25		Earth terminal board	----	6mm <sup>2</sup>	----	2	YE60000603500	----

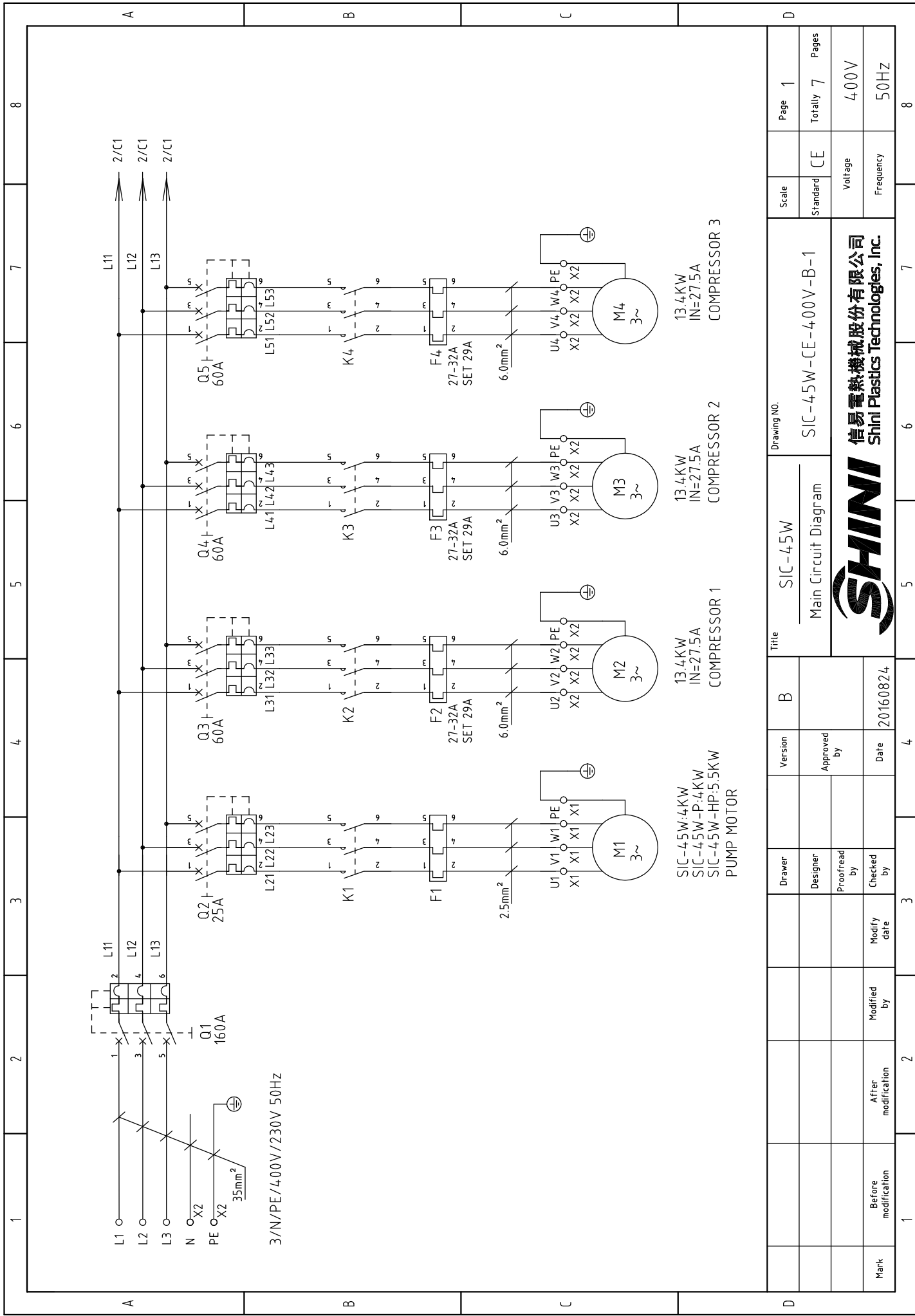
Note: (1) Materials not in the control box;

1	2	3	4	5	6	7	8
Mark	Before modification	Modified by	Modify date	Checked by	Proofread by	Designer	Drawer
	After modification	Modified by	Modify date	Checked by	Proofread by	Designer	Drawer
			20210121				
				Version	C	Title	
				Approved by	SIC-40W		
				Date	Elec. Parts List 1		
				20210121	SIC-40W-CE-400V-C-6		
					Drawing NO.		
					Scale		
					Standard		
					Voltage		
					Frequency		
					Page		
					Totally		
					Pages		
					400V		
					50Hz		
					8		



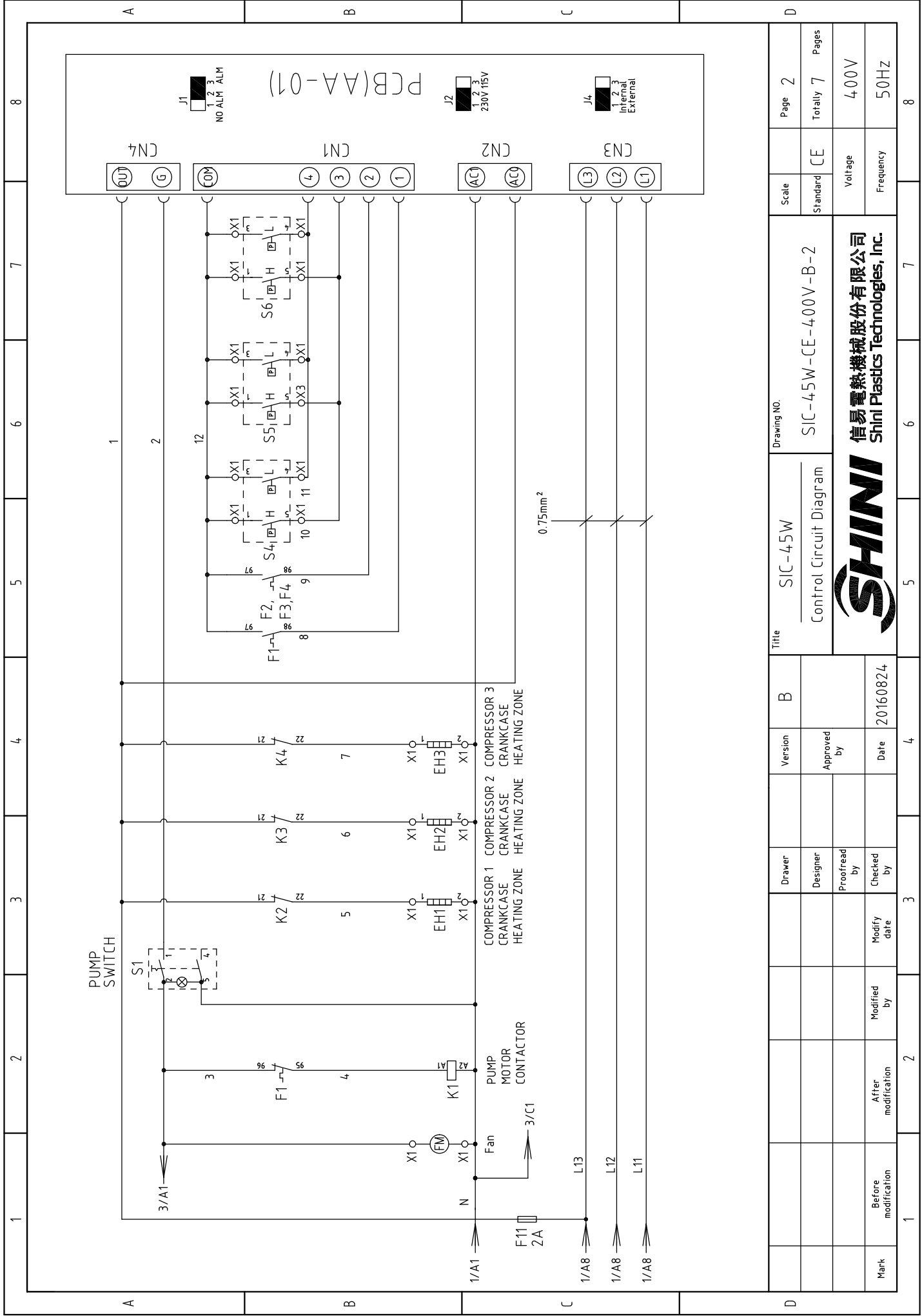
1	2	3	4	5	6	7	8	
NO.	Symbol	Name	Manufacturer	Type	Specification	Number	Material number	Remark
26		Terminal board	----	35mm <sup>2</sup>	----	1	YE61350040000	----
27		Earth terminal board	----	35mm <sup>2</sup>	----	1	YE61353500000	----
A	M1	Pump motor	----	----	400V 50Hz	1	See appendix	----
	M2	Compressor	----	----	400V 50Hz 9.06KW	1	----	(1)
	M3 M4	Compressor	----	----	400V 50Hz 13.4KW	2	----	(1)
	EH1 EH2 EH3	Crankcase heating zone	----	----	230V 50/60Hz 45W	3	----	(1)
	FM	Fan	----	----	230V 50/60Hz	1	----	(1)
								B
								C
								D
Note: (1) Materials not in the control box;								
			Version	B	Title		Drawing No.	
			Approved by		SIC-40W		SIC-40W-CE-400V-B-7	
			Proofread by		Elec. Parts List 2		Scale	Page 7
			Checked by	20160824			Standard	Totally 7 Pages
			Modified by				Voltage	400V
			After modification				Frequency	50HZ
			Before modification					
1	2	3	4	5	6	7	8	



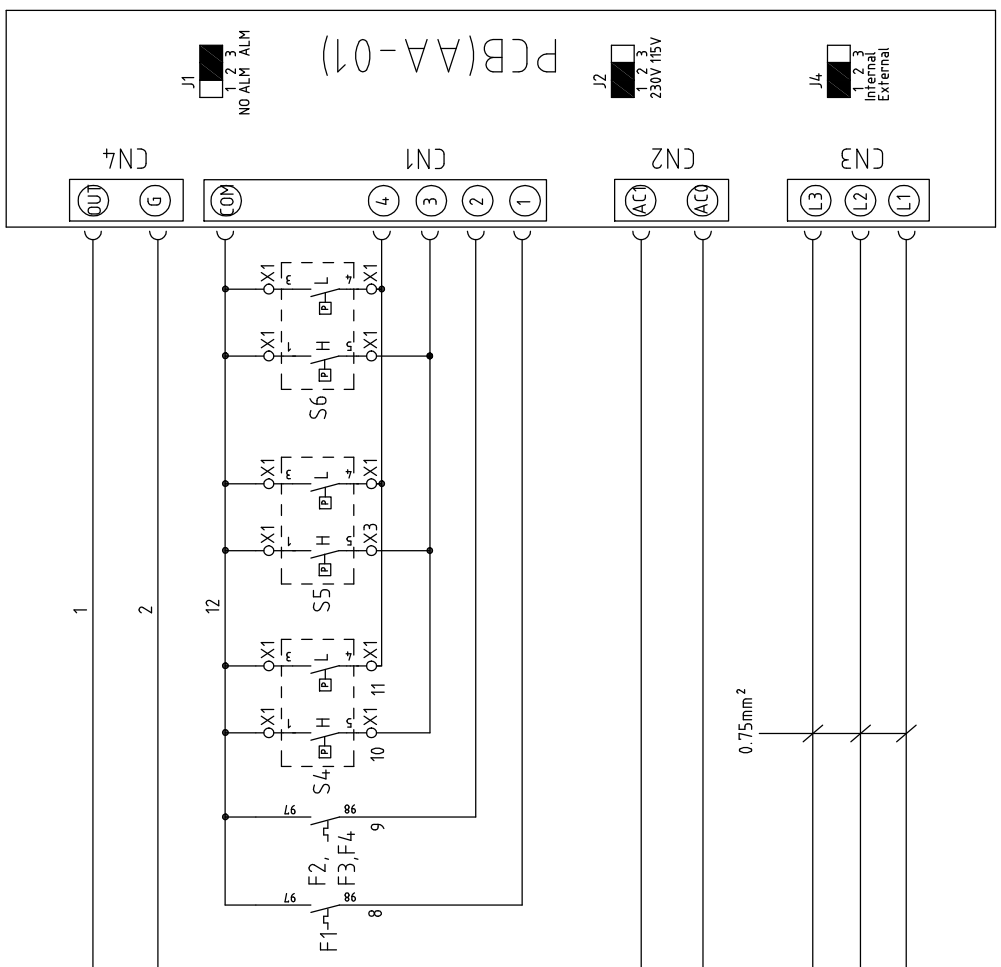


Mark	Before modification	After modification	Modify date	Checked by	Proofread by	Designer	Drawer	Title SIC-4.5W Main Circuit Diagram	Drawing NO. SIC-4.5W-CE-400V-B-1	Scale	Page 1
										Standard CE	Totally 7
										Voltage 400V	
										Frequency 50Hz	





Title		SIC-45W		Drawing NO.		Page 2	
Control Circuit Diagram		SIC-45W-CE-400V-B-2		Standard		CE	
Version		B		Voltage		400V	
Approved by				Frequency		50HZ	
Proofread by				Totaly		7	
Checked by		20160824		Pages		8	
Modified date				Voltage		400V	
After modification				Frequency		50HZ	
Before modification				Totaly		7	
Mark				Pages		8	



1 2 3 4 5 6 7 8

A B C D

A B C D

CN4 (0U) (G) (COM) (4) (3) (2) (1)  
CN2 (AC) (AC)  
CN3 (L3) (L2) (L1)  
J1 NO ALM ALM  
J2 230V 115V  
J4 Internal External

P(CB(AA-01))

PUMP SWITCH

S1

3/A1

2 3 4

F1

96 56

3

4

K1

2

FM

X1 0

N

1/A8

1/A8

1/A8

3/C1

1

2

12

L6

F2, F3, F4

8

S4, S5, S6

10 11

OX1

9

OX1

OX1

OX1

OX1

OX1

OX1

OX1

OX1

OX1

OX1

OX1

OX1

OX1

OX1

OX1

OX1

OX1

OX1

OX1

OX1

OX1

OX1

OX1

OX1

OX1

OX1

OX1

OX1

OX1

OX1

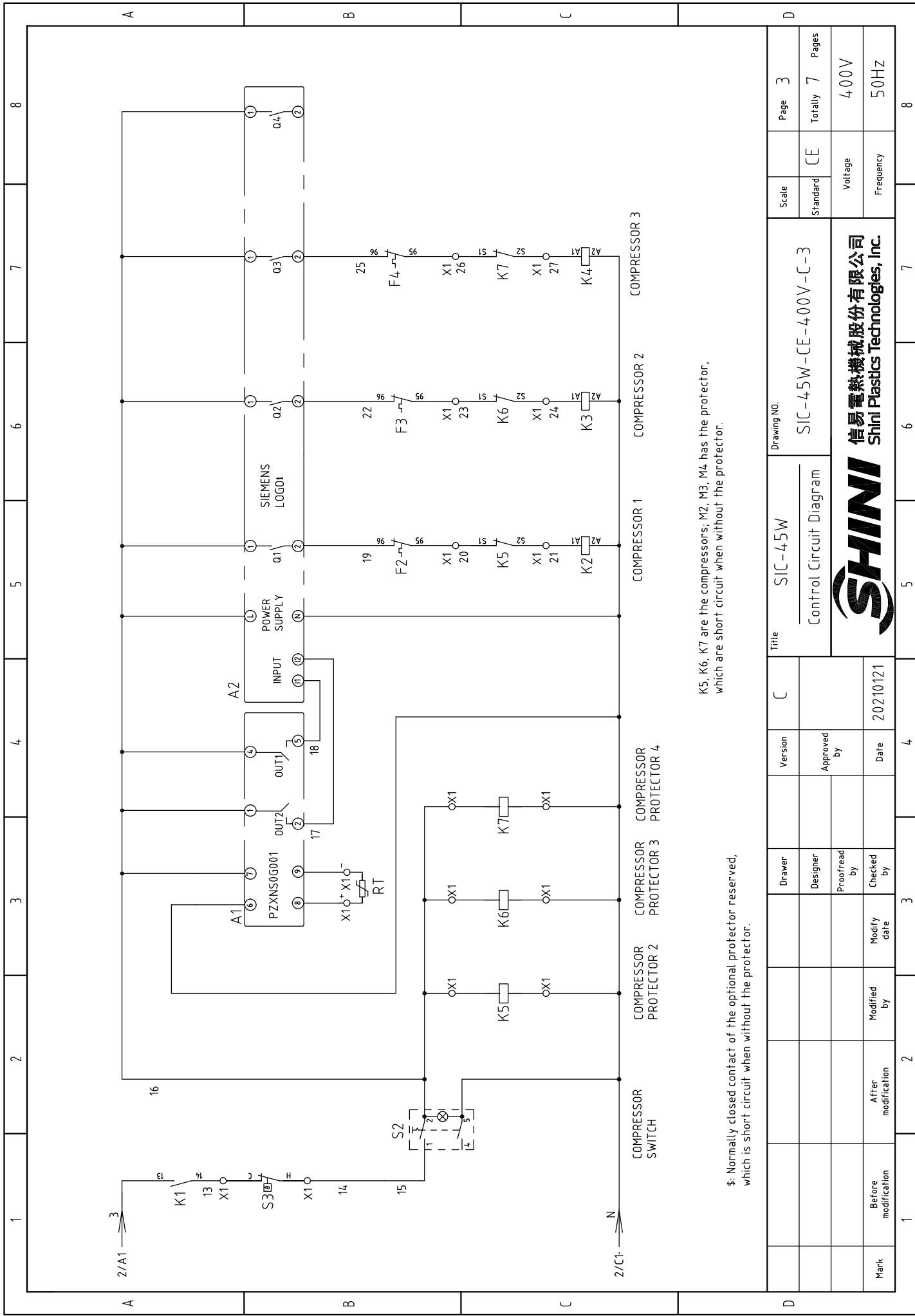
OX1

OX1

OX1

OX1

OX1



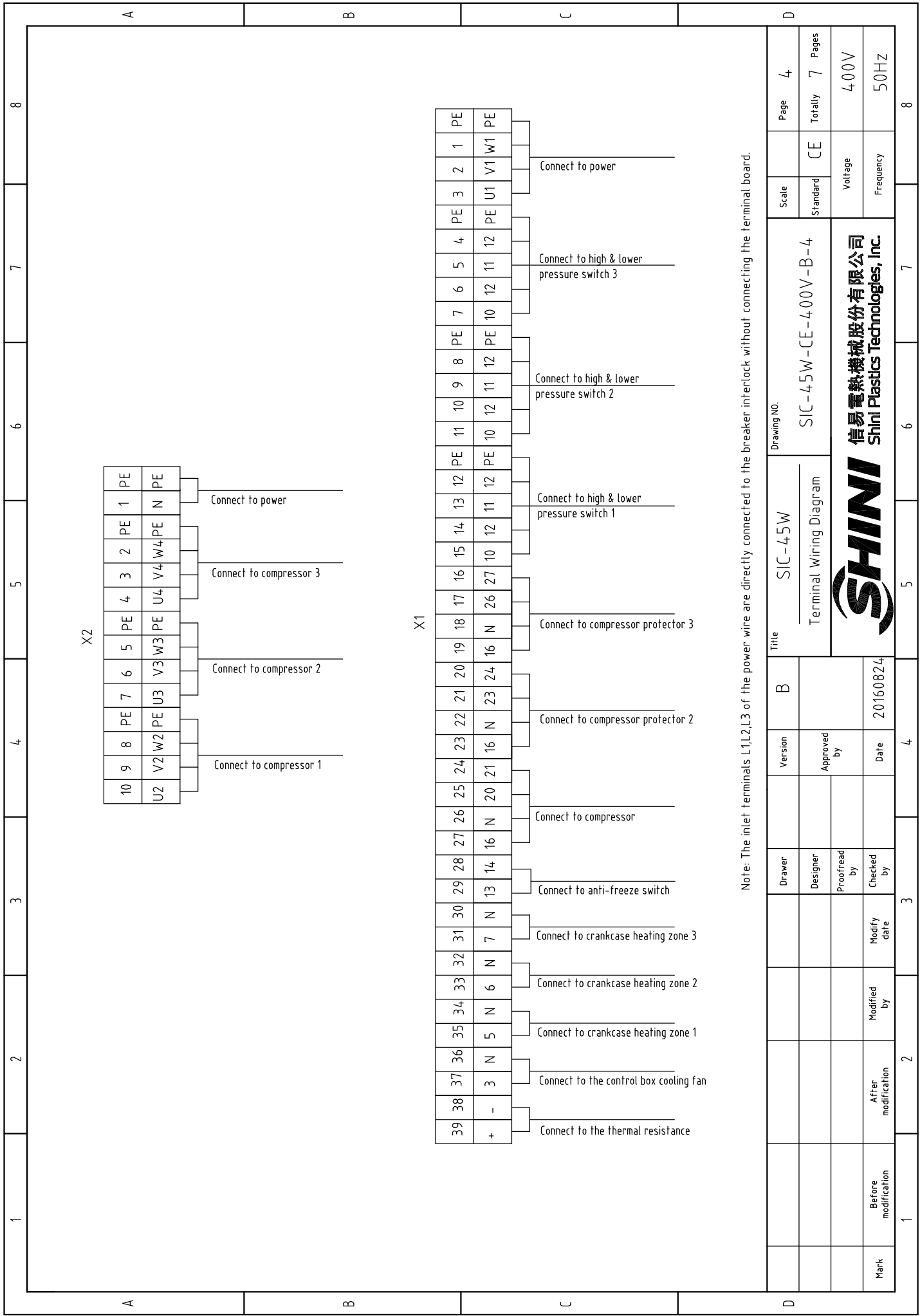
K5, K6, K7 are the compressors; M2, M3, M4 has the protector, which are short circuit when without the protector.

§: Normally closed contact of the optional protector reserved, which is short circuit when without the protector.

Title		SIC-45W		Drawing NO.		Page 3	
Control Circuit Diagram		SIC-45W-CE-400V-C-3		Standard		CE	
Version		Approved by		Voltage		400V	
Date		Date		Frequency		50HZ	
Mark		After modification		Modified by		Modified date	
Before modification		Modify date		Checked by		Proofread by	
Designer		Designer		Checked by		Checked by	
Drawer		Designer		Checked by		Checked by	
Date		Date		Checked by		Checked by	
20210121		20210121		Checked by		Checked by	
C		Approved by		Checked by		Checked by	
SIC-45W		Approved by		Checked by		Checked by	
Control Circuit Diagram		Approved by		Checked by		Checked by	
SIC-45W-CE-400V-C-3		Approved by		Checked by		Checked by	
Drawing NO.		Approved by		Checked by		Checked by	
Page 3		Approved by		Checked by		Checked by	
Totally 7		Approved by		Checked by		Checked by	
Pages		Approved by		Checked by		Checked by	
400V		Approved by		Checked by		Checked by	
50HZ		Approved by		Checked by		Checked by	
CE		Approved by		Checked by		Checked by	
Standard		Approved by		Checked by		Checked by	
Scale		Approved by		Checked by		Checked by	



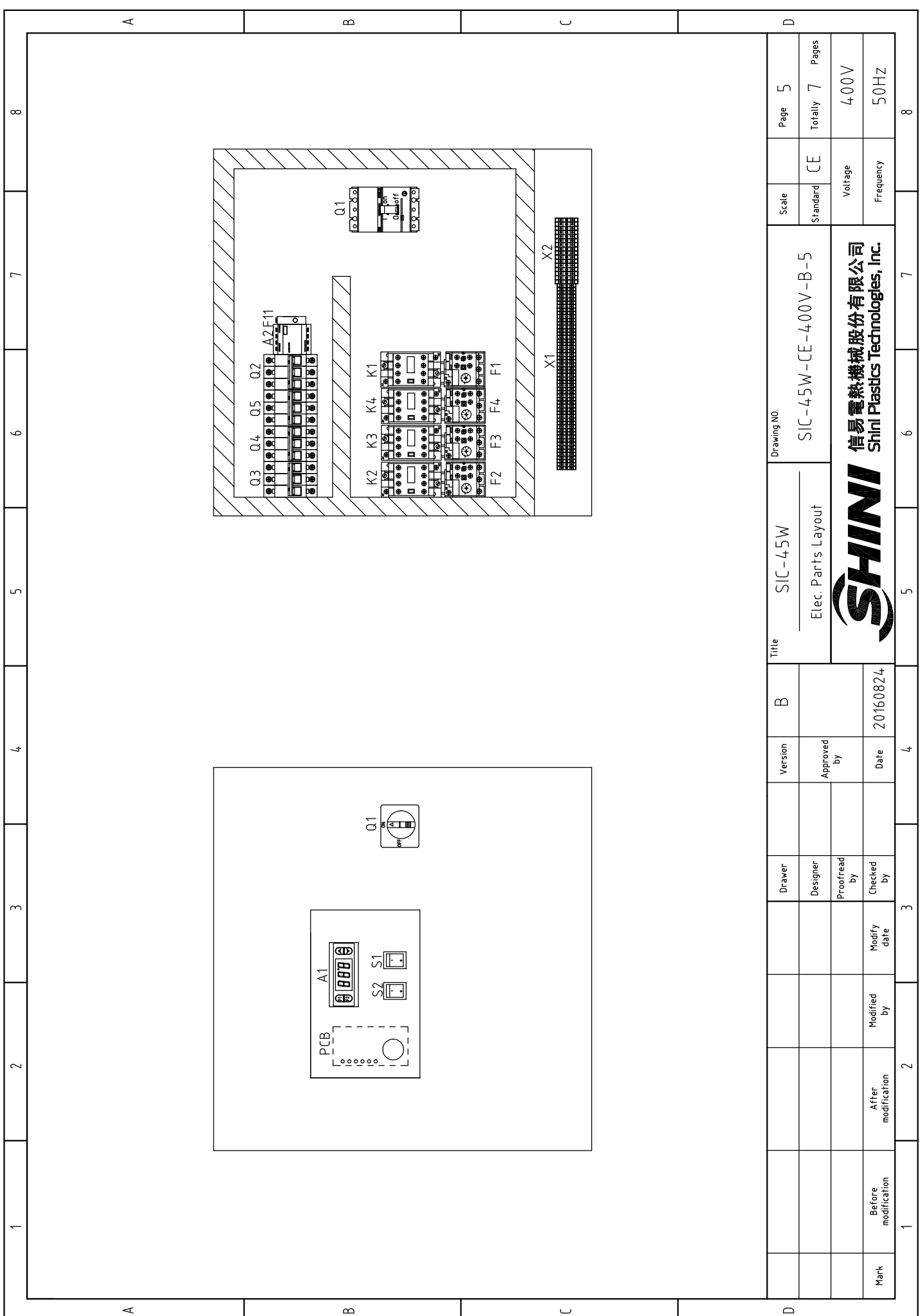




Note: The inlet terminals L1,L2,L3 of the power wire are directly connected to the breaker interlock without connecting the terminal board.

Title		SIC-45W		Drawing NO.		SIC-45W-CE-400V-B-4		Page		4	
Terminal Wiring Diagram								Scale			
								Standard		CE	
								Voltage		400V	
								Frequency		50HZ	
Version		B		Date		20160824		Modified by			
Approved by				Checked by				After modification			
Designer				Modify date				Before modification			
Proofread by											
Drawer											
Mark											





Mark	Before modification	Modified by	Modify date	Checked by	Proofread by	Designer	Drawer	Version	B	Title	Drawing NO.	Scale	Page
	After modification	Modified by	Modify date	Checked by	Proofread by	Designer	Drawer					Standard	Totally
										SIC-45W Elec. Parts Layout	SIC-45W-CE-400V-B-5	CE	5
												Voltage	400V
												Frequency	50HZ
													8



1		2		3		4		5		6		7		8	
NO.	Symbol	Name	Manufacturer	Type	Specification	Number	Material number	Remark							
1	Q1	Breaker interlock	ABB	A2B250TMF160/16003PFF	160A	1	YE41161500000	----							
2	Q2	Circuit breaker	TECO	BM-63C/3025S	25A	1	YE40302503000	----							
3	Q3 Q4 Q5	Circuit breaker	TECO	BM-63C/3063S	63A	3	YE40306303000	----							
4	K1	Contact	SIEMENS	3RT6017-1AN21	230VAC 50/60Hz	1	YE00601721000	----							
5	K2 K3 K4	Contact	SIEMENS	3RT6027-1AN20	230VAC 50/60Hz	3	YE00602722000	----							
6	K5 K6 K7	Compressor protector	----	----	----	3	----	----							
7	A1	Temperature controller	CAREL	PZXNS0G001	230VAC 50/60Hz	1	YE80000100100	----							
8	A2	LOGO1 controller	SIEMENS	LOGO1 230RCO	AC115-230V no display	1	YE81023000600	----							
9	RT	Thermal resistance	CAREL	NTC025HP00	----	1	YE10250000000	----							
10	F1	Thermal overload relay	SIEMENS	3RU6116-1KB0	9-12.5A	1	YE01169125000	----							
11	F2 F3 F4	Thermal overload relay	SIEMENS	3RU6126-4EB0	27-32A	3	YE01612600600	----							
12	F11	Fuse	YINDA	FS-10	2A	1	YE41001000000	----							
13	S1 S2	Alternative switch	MOLVETNO	R210-C5LBW	250V~10(5)A 4P WH	2	YE10210400000	----							
14	S3	Anti-frozen switch	----	----	----	1	----	(1)							
15	S4 S5 S6	HI-LO pressure switch	----	----	----	3	----	(1)							
16	PCB	Control board	YUYUN	AA-01	230V 50Hz	1	YE80000100000	----							
17	X1	Terminal board	----	2.5mm <sup>2</sup>	----	39	YE60002503200	----							
18		Terminal board	----	2.5mm <sup>2</sup>	----	4	YE61002500500	----							
19	X2	Terminal board	----	6mm <sup>2</sup>	----	9	YE60000603200	----							
20		Earth terminal board	----	6mm <sup>2</sup>	----	3	YE60000603500	----							
21		Terminal board	DINKLE	DKB100(115A)	----	2	YE60100006900	----							
22	M1	Pump motor	----	----	400V 50Hz	1	See appendix	----							
23	M2 M3 M4	Compressor	----	----	400V 50Hz 13.4KW	3	----	(1)							
24	EH1 EH2 EH3	Crankcase heating zone	----	----	230V 50/60Hz 45W	3	----	(1)							
25	FM	Fan	----	----	230V 50/60Hz	1	----	(1)							
Note: (1) Materials not in the control box;															
						C		Title		SIC-4-5W		Drawing NO.		D	
						Version		Elec. Parts List 1		SIC-4-5W-CE-400V-C-6		Scale		Page 6	
						Approved by						Standard		CE	
						Date		20210121				Voltage		400V	
						Checked by						Frequency		50Hz	
Mark		Before modification		Modified by		Modify date									
1		2		3		4		5		6		7		8	

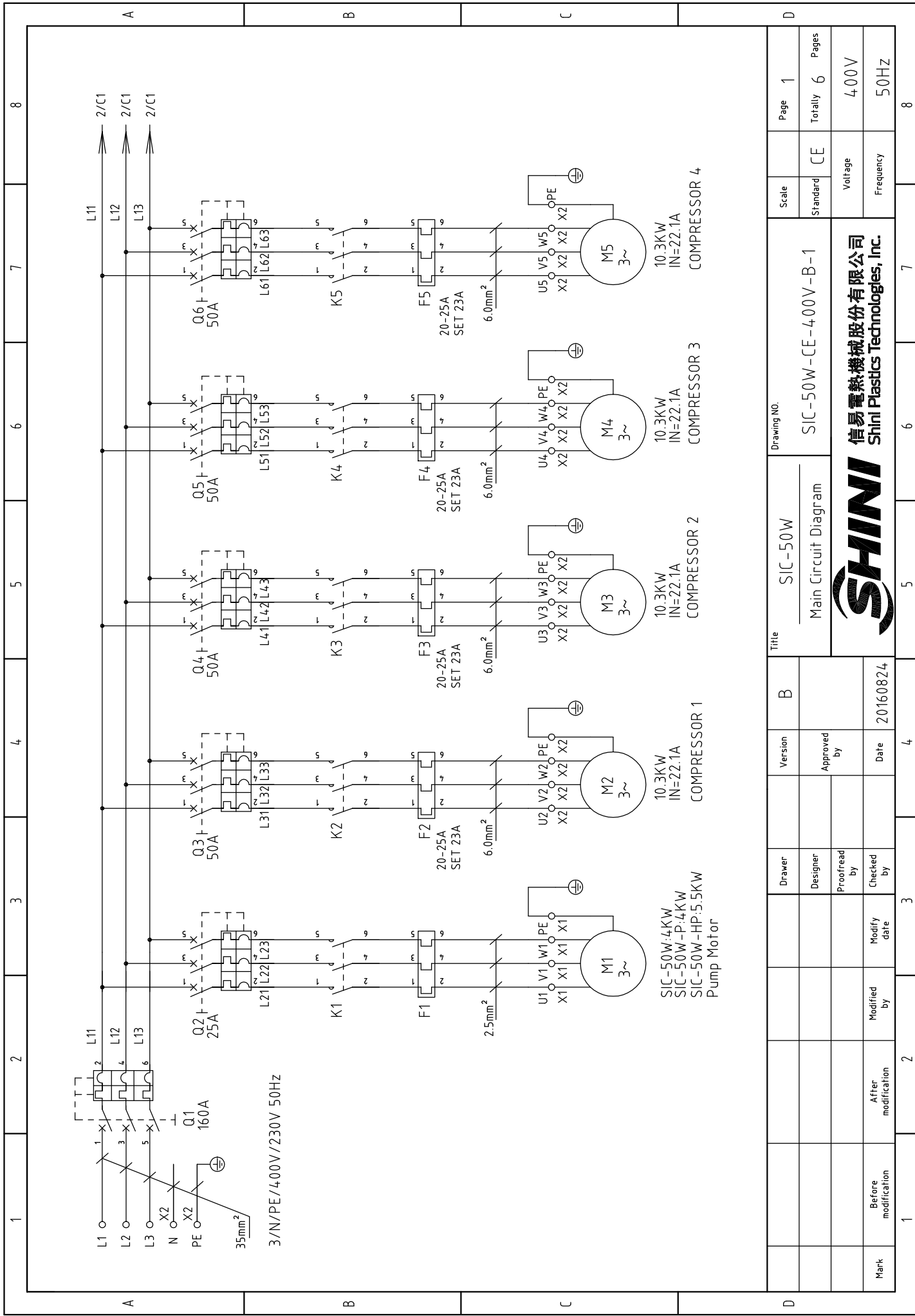


1	2	3	4	5	6	7	8	
序号/NO	符号/Symbol	名称/Name	制造商/Manufacturer	型号/Type	规格/Specification	数量/Number	物料编号/Material number	备注/Remark
26								
A								
B								
C								
D								

Note: (1) Materials not in the control box;

Title		SIC-45W		Drawing NO.		SIC-45W-CE-400V-B-7		Scale		Page 7	
Elec. Parts List 2		Version		Approved by		Date		Standard		Voltage	
20160824		20160824		20160824		20160824		CE		400V	
Mark		Before modification		After modification		Modified by		Modify date		Frequency	
1		2		3		4		5		8	





SIC-50W:4KW  
 SIC-50W-P:4KW  
 SIC-50W-HP:5.5KW  
 Pump Motor

10.3KW  
 IN=22.1A  
 COMPRESSOR 1

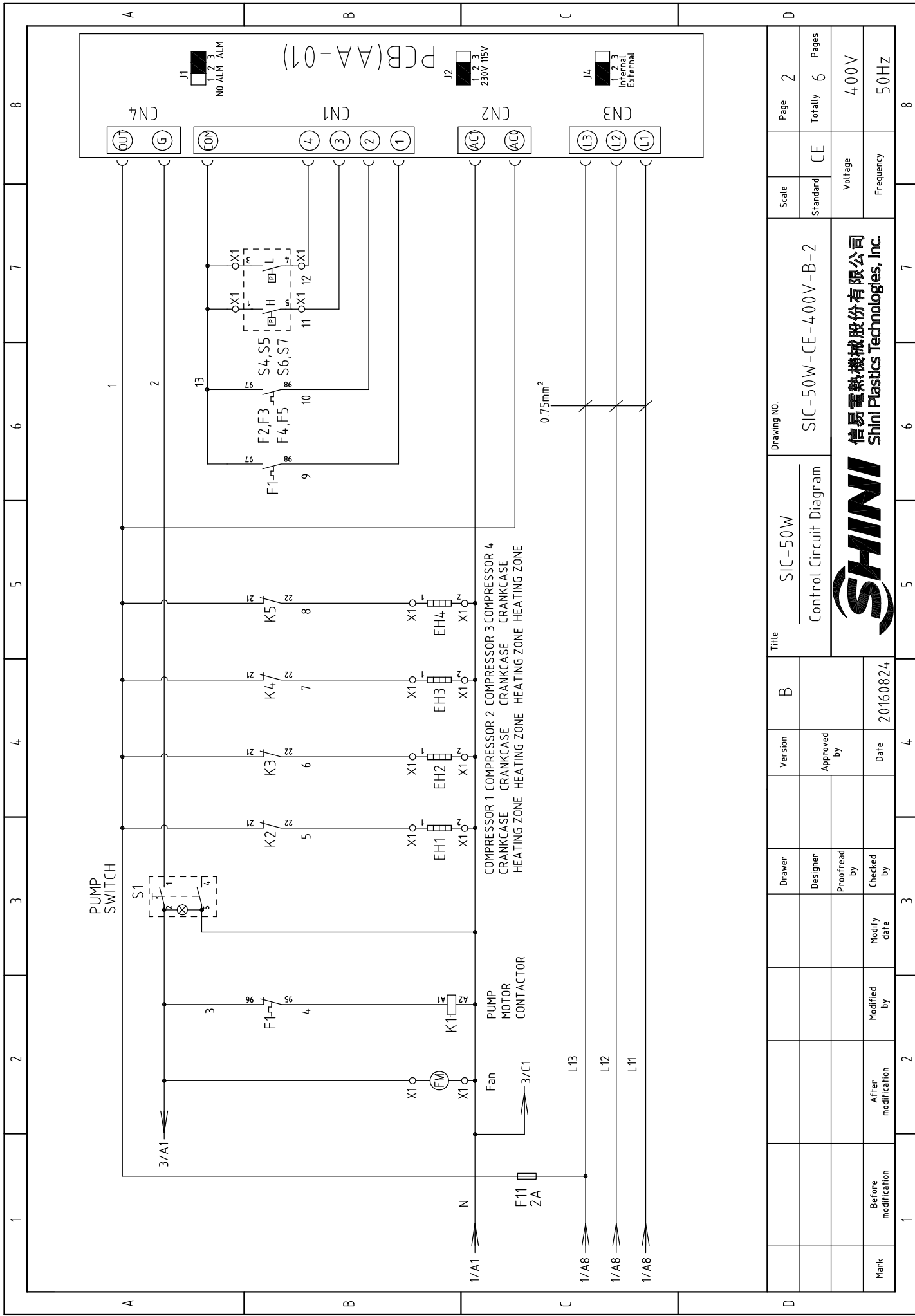
10.3KW  
 IN=22.1A  
 COMPRESSOR 2

10.3KW  
 IN=22.1A  
 COMPRESSOR 3

10.3KW  
 IN=22.1A  
 COMPRESSOR 4

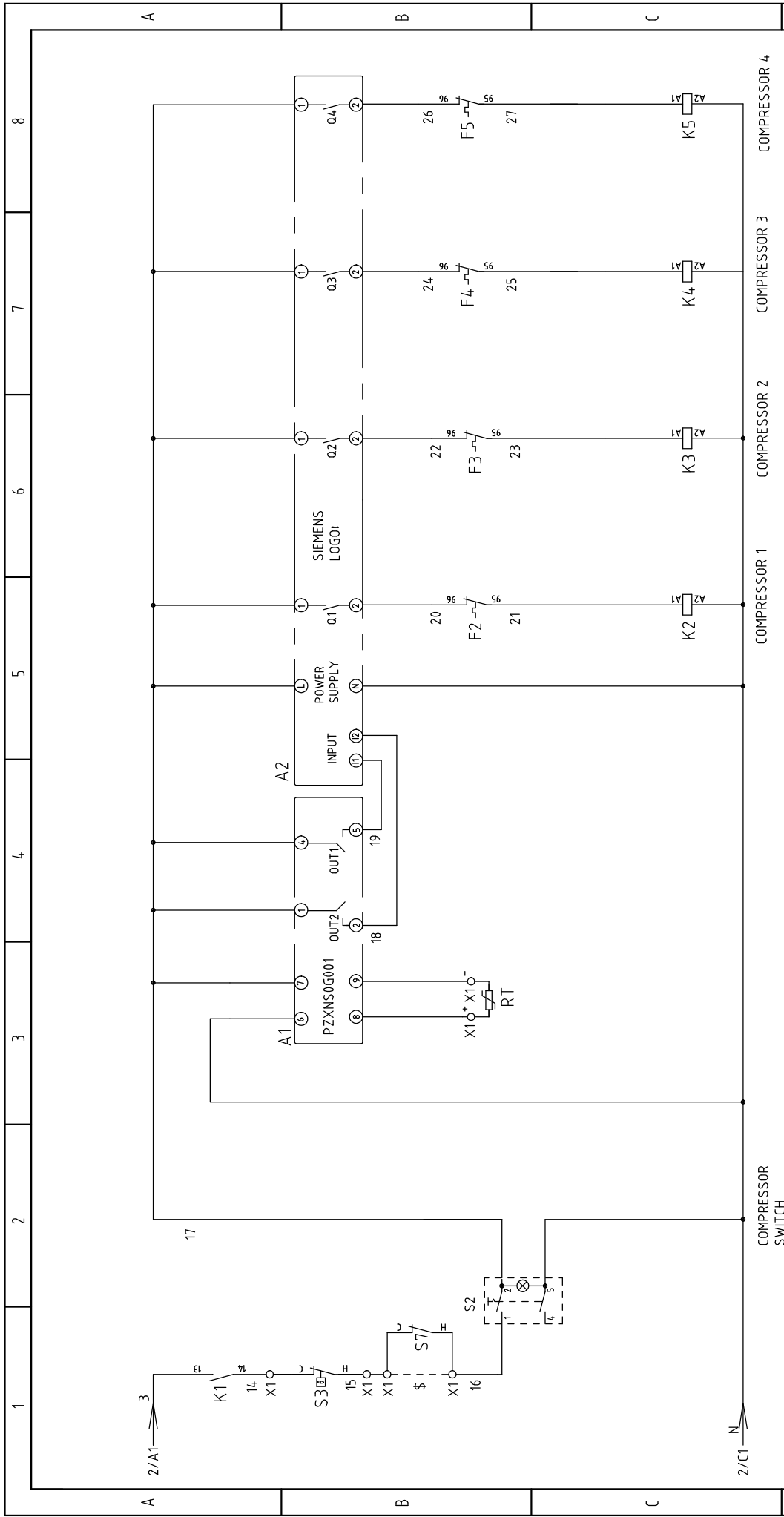
Drawing NO.		SIC-50W-CE-400V-B-1		Page 1	8
Title		SIC-50W Main Circuit Diagram		Standard	CE
Version	B	Voltage		400V	
Approved by		Frequency		50Hz	
Date	20160824	Voltage		400V	
Checked by		Frequency		50Hz	
Modified by		Voltage		400V	
After modification		Frequency		50Hz	
Mark		Voltage		400V	
Before modification		Frequency		50Hz	
Modify date		Voltage		400V	
Proofread by		Frequency		50Hz	
Designer		Voltage		400V	
Drawer		Frequency		50Hz	
Scale		Standard		Page 1	
CE		Voltage		Totally 6	
CE		Frequency		Pages	





Drawing NO.		SIC-50W-CE-400V-B-2	
Title		Control Circuit Diagram	
Version		B	
Drawer	Designer	Proofread by	Checked by
			20160824
Approved by	Date	Modified by	Modify date
Scale	Page	Standard	Pages
CE	2	CE	6
Voltage		400V	
Frequency		50Hz	
Mark		Before modification	After modification
Total		8	

**SHINI**  
 信易電熱機械股份有限公司  
 Shini Plastics Technologies, Inc.



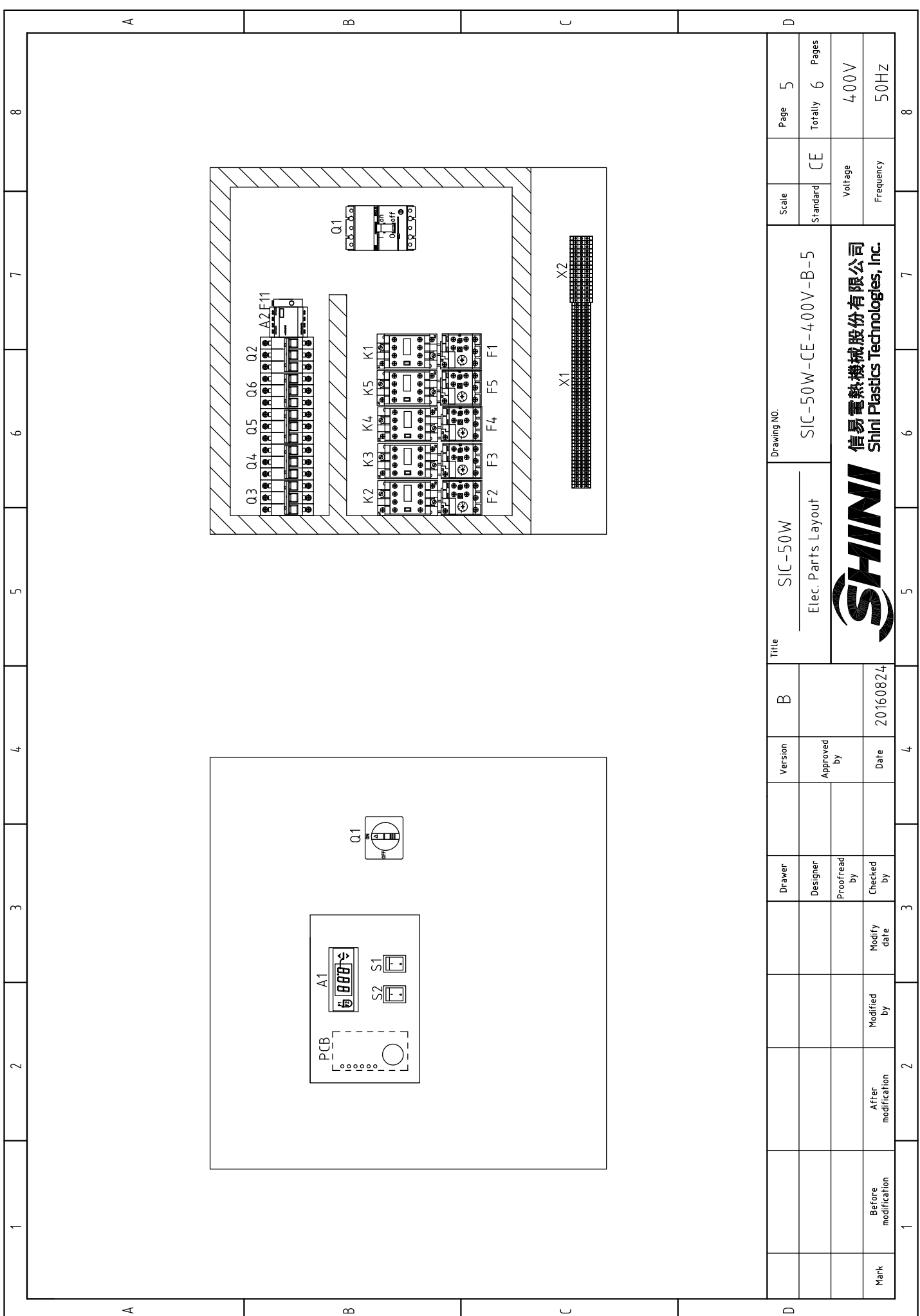
Ⓢ: Normally closed contact of the optional protector reserved, which is short circuit when without the protector.

A		B		C		D	
1	2	3	4	5	6	7	8
Scale	Title		Version	Drawing NO.		Page	3
Standard	SIC-50W		Approved by	SIC-50W-CE-400V-C-3		Totally	6
Voltage	Control Circuit Diagram		Date	20210121		Frequency	400V
Frequency	SHINI		Modify date	20210121		Frequency	50HZ
Mark	Before modification	Modified by	Modify date	Checked by	20210121	Frequency	50HZ
After modification	2	3	4	5	6	7	8

信易電熱機械股份有限公司  
Shini Plastics Technologies, Inc.







Mark	Before modification	Modified by	Modify date	Checked by	Proofread by	Designer	Drawer	Version	B	Title		Scale		Page	
	After modification	Modified by	Modify date	Checked by	Proofread by	Designer	Drawer	Version	B	SIC-50W Elec. Parts Layout		SIC-50W-CE-400V-B-5		5	
Drawing No.										SIC-50W-CE-400V-B-5		Standard		Page	
										CE		Voltage		5	
										Frequency		400V		6	
										Frequency		50HZ		8	
										Voltage		400V		8	
										Frequency		50HZ		8	

**SHINI**  
 信易電熱機械股份有限公司  
 Shini Plastics Technologies, Inc.

1		2		3		4		5		6		7		8	
NO.	Symbol	Name	Manufacturer	Type	Specification	Number	Material number	Remark							
1	Q1	Breaker interlock	ABB	A2B250TMF160/16003PFF	160A	1	YE41161500000	----							
2	Q2	Circuit breaker	TECO	BM-63C/3025S	25A	1	YE40302503000	-----							
3	Q3 Q4 Q5 Q6	Circuit breaker	TECO	BM-63C/3050S	50A	4	YE40305003000	-----							
4	K1	Contacto	SIEMENS	3RT6017-1AN21	230VAC 50/60Hz	1	YE00601721000	-----							
5	K2 K3 K4 K5	Contacto	SIEMENS	3RT6027-1AN20	230VAC 50/60Hz	4	YE00602722000	-----							
6	A1	Temperature controller	CAREL	PZSNS0G001	230VAC 50/60Hz	1	YE80000100100	-----							
7	A2	LOGO! controller	SIEMENS	LOGO! 230RC0	AC115-230V no display	1	YE81023000600	-----							
8	RT	Thermal resistance	CAREL	NTC025HP00	----	1	YE10250000000	-----							
9	F1	Thermal overload relay	SIEMENS	3RU6116-1KB0	9-12.5A	1	YE01169125000	-----							
10	F2 F3 F4 F5	Thermal overload relay	SIEMENS	3RU6126-4CB0	20-25A	4	YE01260200000	-----							
11	F11	Fuse	YINDA	FS-10	2A	1	YE41001000000	-----							
12	S1 S2	Alternative switch	MOLVETNO	R210-C5LBW	250V~10(5)A 4P wH	2	YE10210400000	-----							
13	S3	Anti-frozen switch	-----	-----	-----	1	-----	(1)							
14	S4 S5 S6 S7	HI-LO pressure switch	-----	-----	-----	4	-----	(1)							
15	PCB	Control board	YUYUN	AA-01	230V 50Hz	1	YE80000100000	-----							
16	X1	Terminal board	-----	2.5mm <sup>2</sup>	-----	33	YE60002503200	-----							
17		Earth terminal board	-----	2.5mm <sup>2</sup>	-----	5	YE61002500500	-----							
18	X2	Terminal board	-----	6mm <sup>2</sup>	-----	12	YE60000603200	-----							
19		Earth terminal board	-----	6mm <sup>2</sup>	-----	4	YE60000603500	-----							
20		Terminal board	DINKLE	DKB100(115A)	-----	2	YE60100006900	-----							
21	M1	Pump motor	-----	-----	400V 50Hz	1	See appendix	(1)							
22	M2 M3 M4 M5	Compressor	-----	-----	400V 50Hz 10.3KW	4	-----	(1)							
23	EH1 EH2 EH3 EH4	Crankcase heating zone	-----	-----	230V 50/60Hz 45W	4	-----	(1)							
24	FM	Fan	-----	-----	230V 50/60Hz	1	-----	(1)							
25															
Note: (1) Materials not in the control box;															
D															
Title										Drawing No.		Page		6	
SIC-50W										SIC-50W-CE-400V-C-6		Scale		CE	
Elec. Parts List 1										Standard		Voltage		400V	
SHINI										Frequency		50Hz		Totally 6	
信易電熱機械股份有限公司										Shini Plastics Technologies, Inc.				8	
1 2 3 4 5 6 7 8															