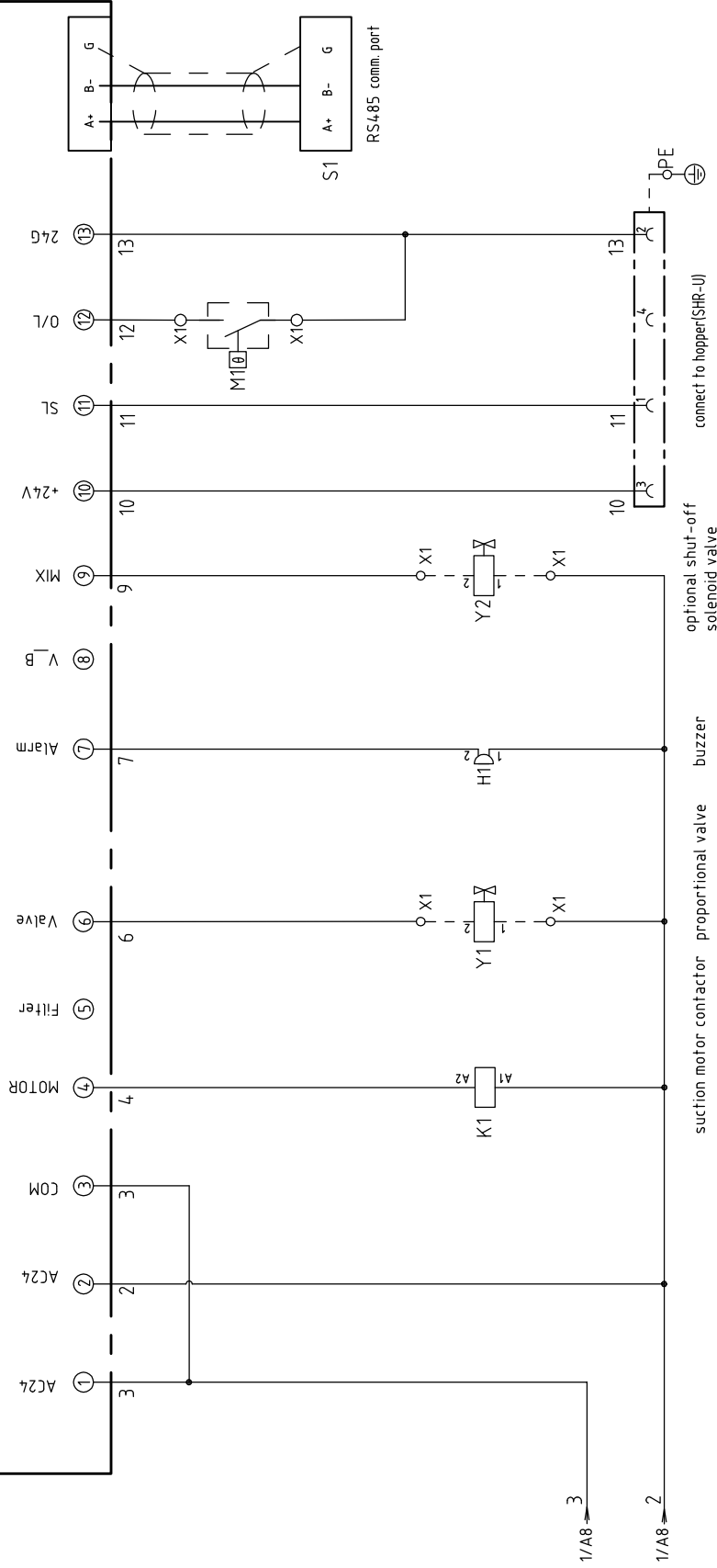


Feeding motor  
 SAL-810G | SAL-820G | SAL-830G  
 P=0.75KW | P=1.5KW | P=1.85KW  
 IN=3.9A | IN=6.5A | IN=7.0A

机型号 Ver.B	Title		Version		Drawer		Scale		Page		
	SAL-810G/820G/830G		B				SAL-810G/820G/830G -CE-230V-B-1		1		
Main Circuit Diagram		Approved by		Designer		Standard		Totally		Pages	
SHINI 信易电热机械股份有限公司 Shini Plastics Technologies, Inc.		Date		Proofread by		CE		4		4	
20191230		Checked by		Checked by		Voltage		3Φ230V		Frequency	
4		Modify date		Modified by		Frequency		50Hz		8	
3		After modification		Mark		1		2		3	

# CS-23



初型版本 Ver.B

Mark	Before modification	After modification	Modified by	Modify date	20191230
			Checked by	Date	
			Proofread by	Approved by	
			Designer	Version	B
			Drawer	Title	

Notes: MI is the thermal protector inside the suction blower.

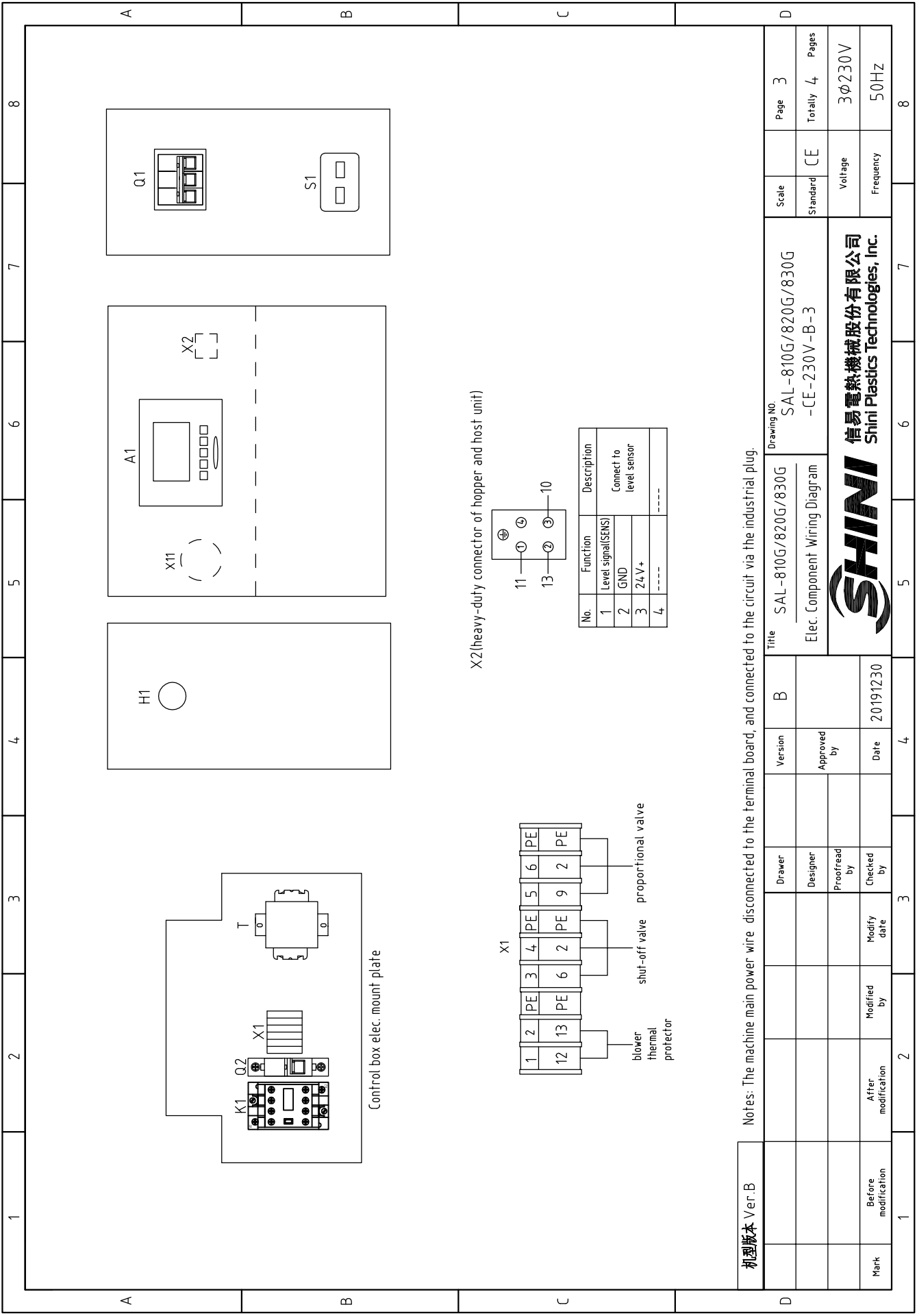
Drawing NO. SAL-810G/820G/830G  
SAL-810G/820G/830G  
-CE-230V-B-2

Control Circuit Diagram

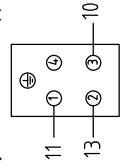


信易電熱機械股份有限公司  
Shini Plastics Technologies, Inc.

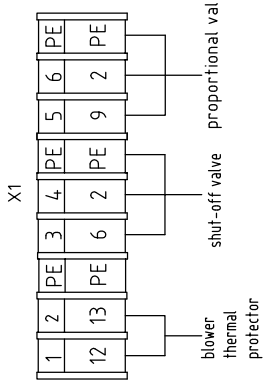
Scale	Page	2
Standard	CE	Totally 4
Pages	Pages	3 φ 230V
Frequency	Frequency	50HZ



X2 (heavy-duty connector of hopper and host unit)



No.	Function	Description
1	Level signal(SENS)	Connect to level sensor
2	GND	
3	24 V+	
4	----	----



机版本 Ver. B

Notes: The machine main power wire disconnected to the terminal board, and connected to the circuit via the industrial plug.

D	Mark	Before modification	After modification	Modified by	Modify date	Date	20191230	Approved by	Version	B	Title	Drawing NO.		Page	3
												SAL-810G/820G/830G	SAL-810G/820G/830G		
												Elec. Component Wiring Diagram			
												SAL-810G/820G/830G -CE-230V-B-3			
												Voltage		3Φ230V	
												Frequency		50HZ	



