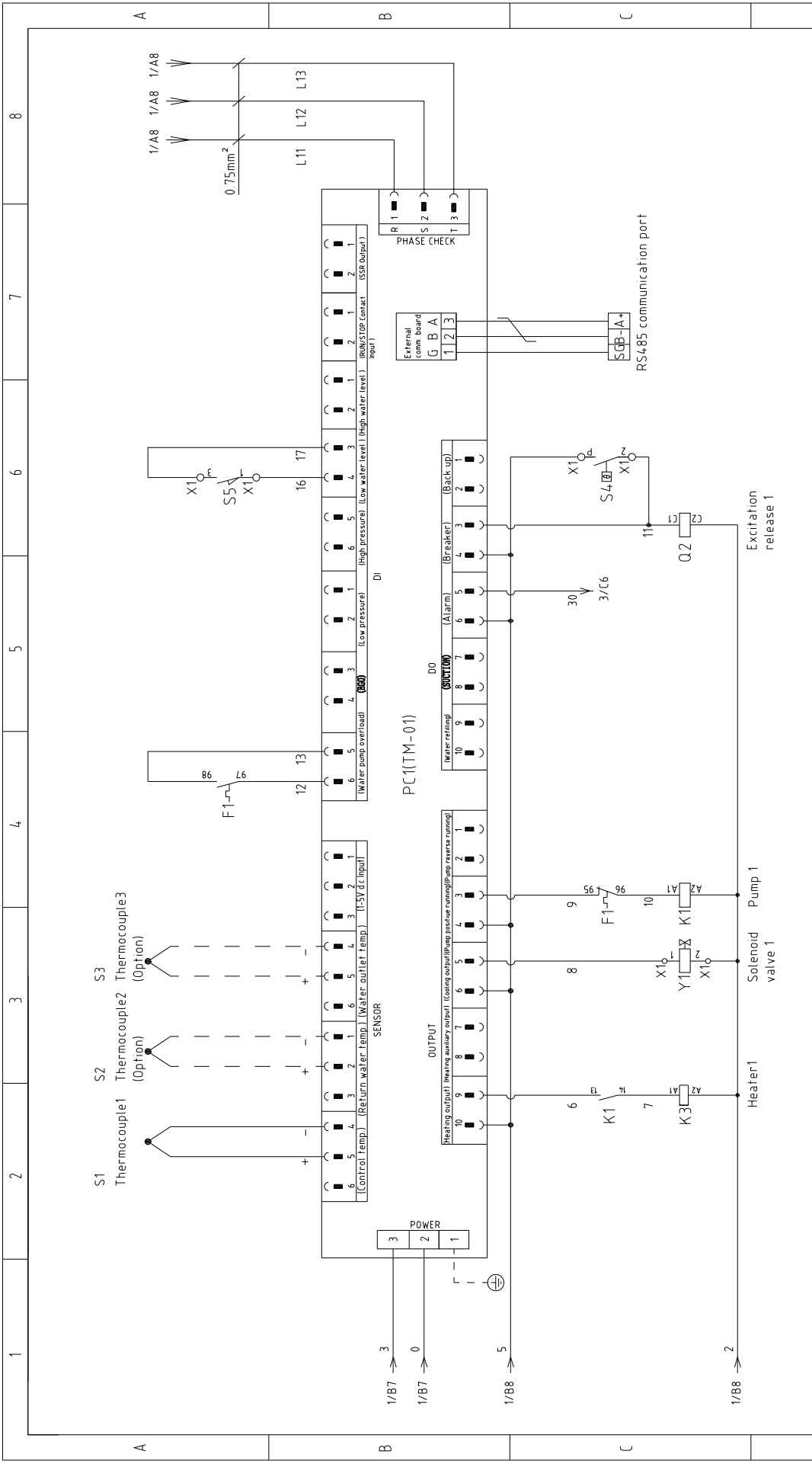


版本 Ver.E

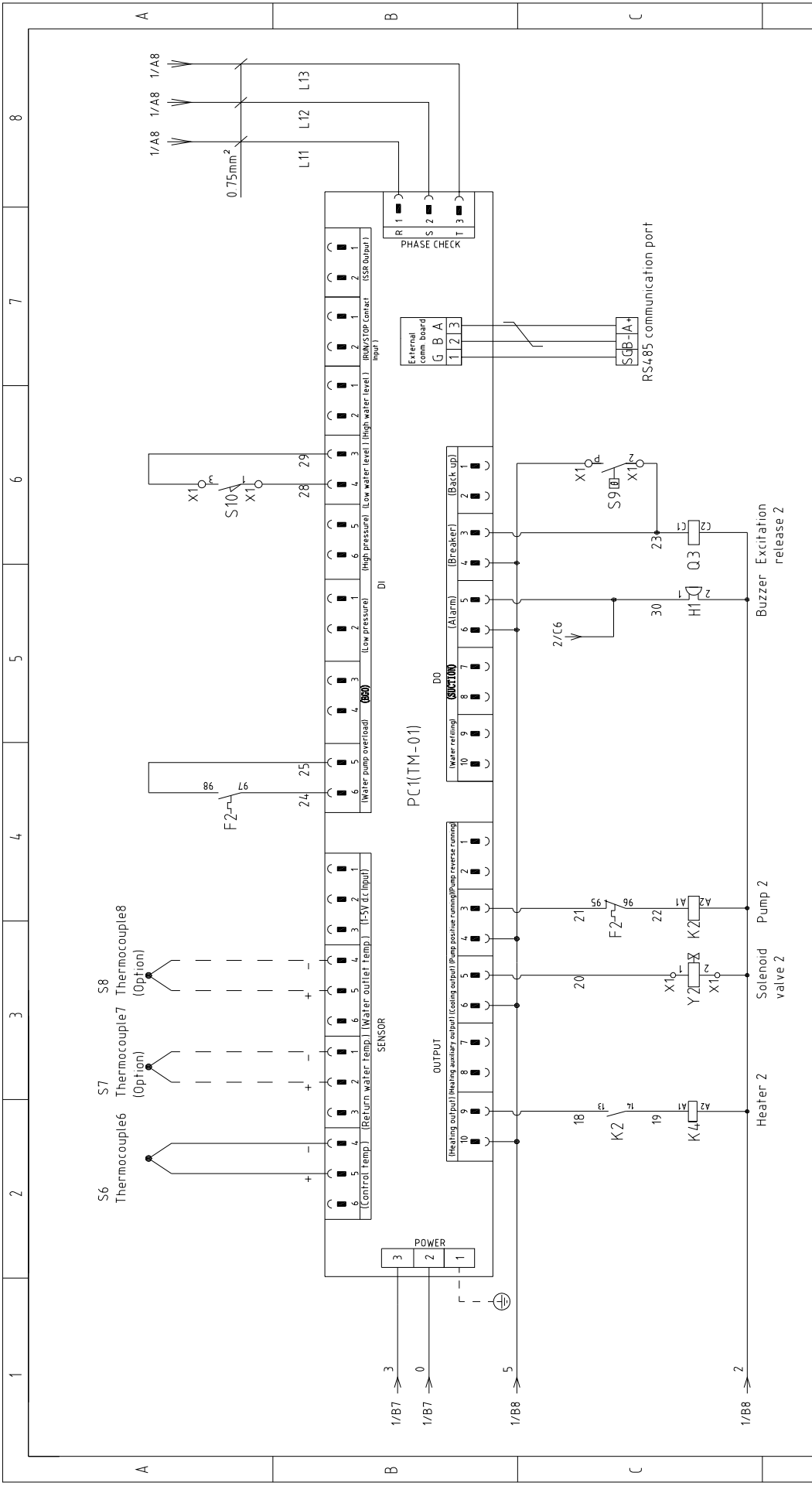
D	Scale	Page 1	Drawing NO	Title		Version	F	Designer	Proofread by	Approved by	Date	Date	20170422	4	5	6	7	8	Standard	CE	Voltage	Frequency	400V	50HZ	Totally	6	Pages
	Standard	CE		STM-607-D-CE-400V-F-1	STM-607-D																						
Mark	Before modification	After modification	Modify date	Modified by	3	4	5	6	7	8																	





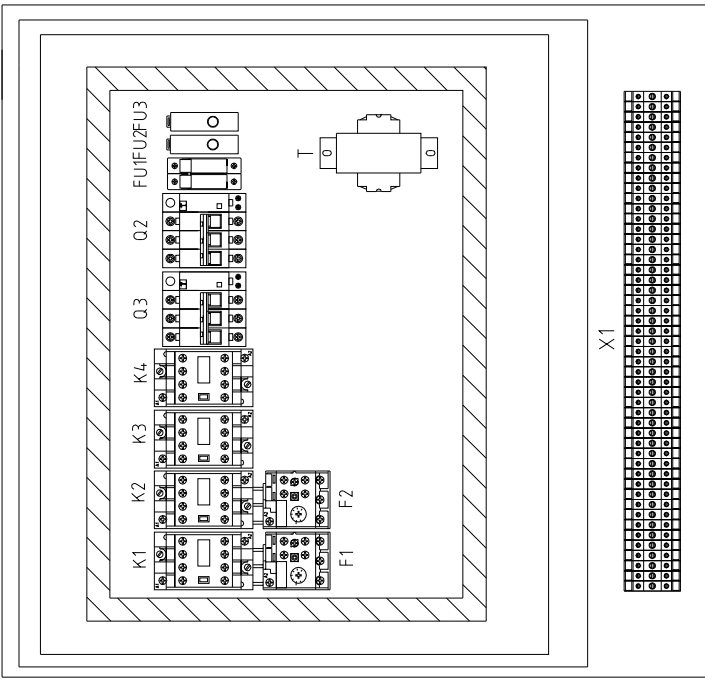
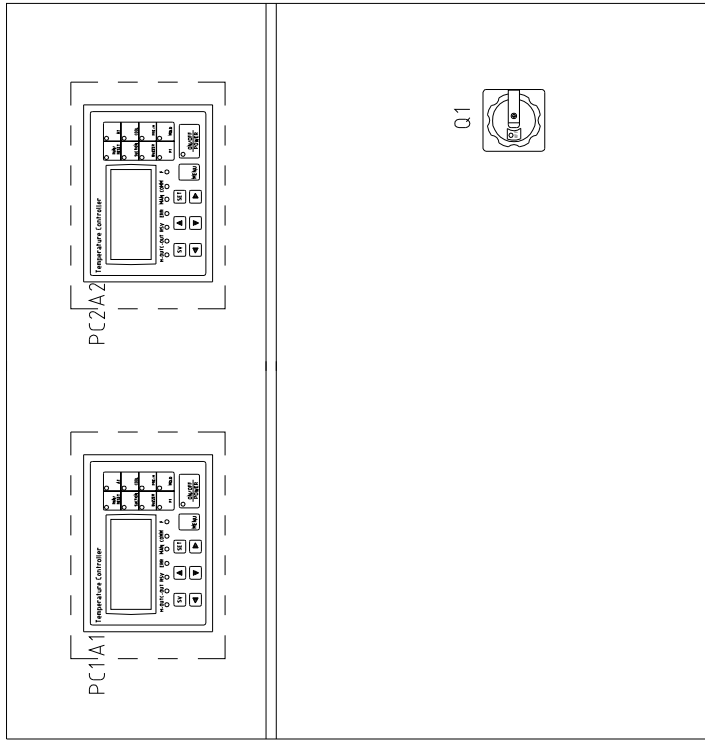
版本	Ver E		Mark	Before modification	Modified by	Modify date	Checked by	Date	20180102	Approved by	Version	F	Title	STM-607-D		Drawing NO	STM-607-D-CE-400V-F-2		Scale	Standard	CE	Page	2	Totally	6	Pages	400V	50HZ	Voltage	Frequency
	After modification																													






版本 Ver.E		Drawing NO		Page 3	
		Title		Standard	
		STM-607-D		CE	
		Control Circuit Diagram 2		Voltage	
		STM-607-D-CE-400V-F-3		400V	
		SHINI		Frequency	
		信易電熱機械股份有限公司 Shini Plastics Technologies, Inc.		50HZ	
Mark		Version		Totally 6 Pages	
Before modification		Approved by		Voltage	
Modified by		Date		Frequency	
Modify date		20180102		400V	
1		3		50HZ	
2		4		8	
3		5		7	
4		6		6	
5		7		3	
6		8		6	
7		9		3	
8		10		6	

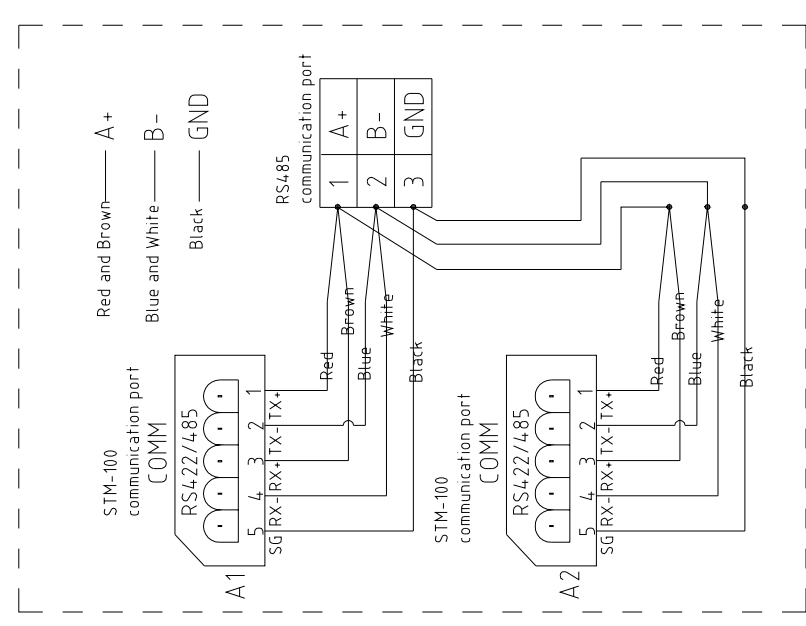
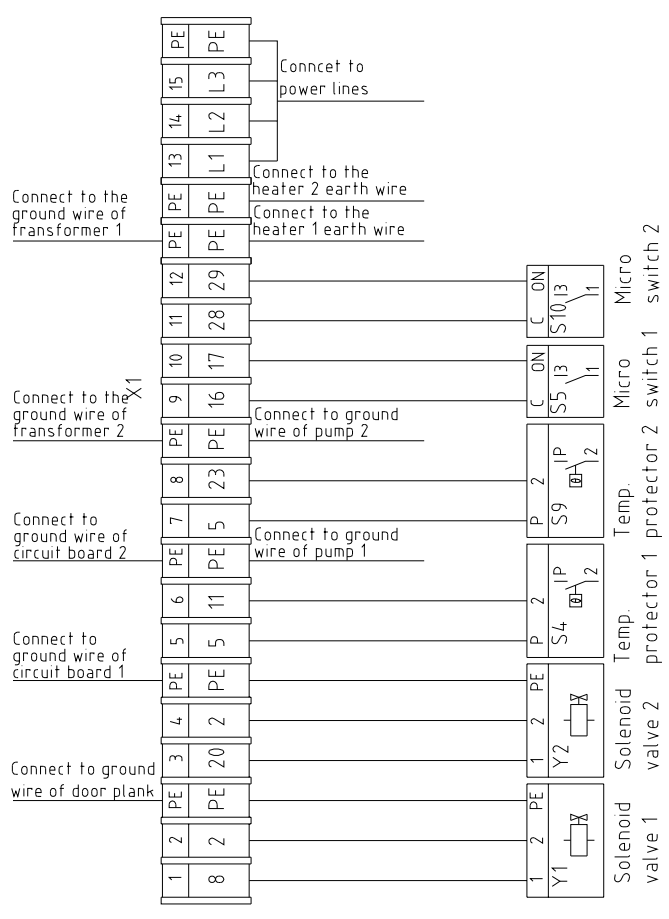
1 2 3 4 5 6 7 8



版本 Ver.E

D	Drawer	F	Title	STM-607-D	Drawing NO	Scale	Page	4
	Designer	Electrical Components Layout	STM-607-D-CE-400V-F-4			Standard	Totally	6
Mark	Proofread by	Approved by	 信易電熱機械股份有限公司 Shini Plastics Technologies, Inc.			Voltage	400V	
	Checked by	Date				Frequency	50HZ	
	Modify date	20170422						
	After modification							
	Before modification							
			5	6	7			8

Technical requirements: (1) Positive (+) and negative (-) poles of thermocouple should be directly connected to thermocouple's input terminal of circuit board. There is no need for them to go through the terminal board.  
 (2) Pump and pipe heater should be directly connected to the output terminals of contactor and thermal overload relay.



RS485 Communications wiring diagram

Mark	Before modification	Modified by	Modify date	Checked by	Date
Version	Ver E				

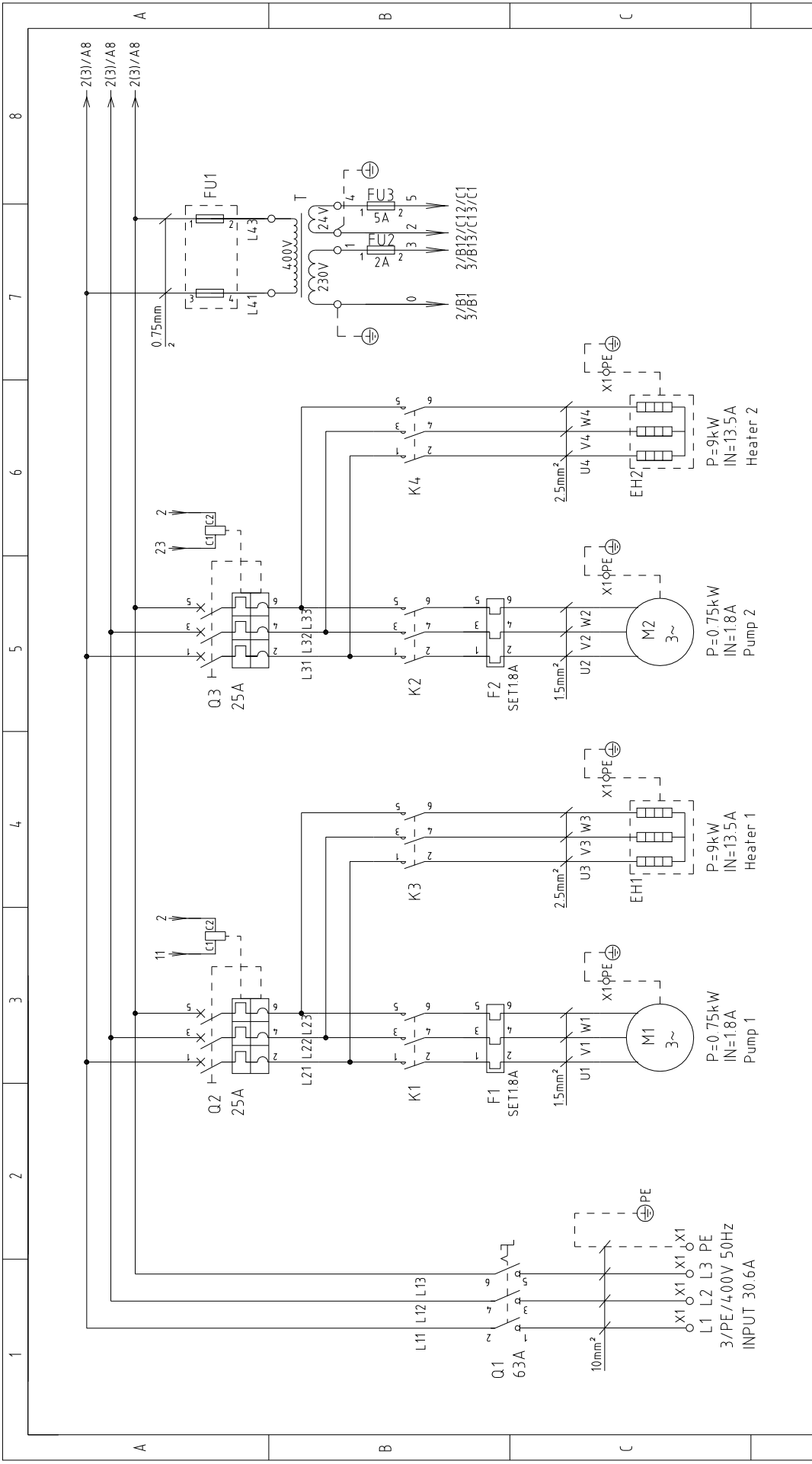
Version	Approved by	Date
		20170422

Terminal Connection Diagram	STM-607-D	Scale	Standard
Terminal Connection Diagram	STM-607-D-CE-400V-F-5	Scale	CE
Title		Page	5
Title		Totally	6
Title		Voltage	400V
Title		Frequency	50HZ



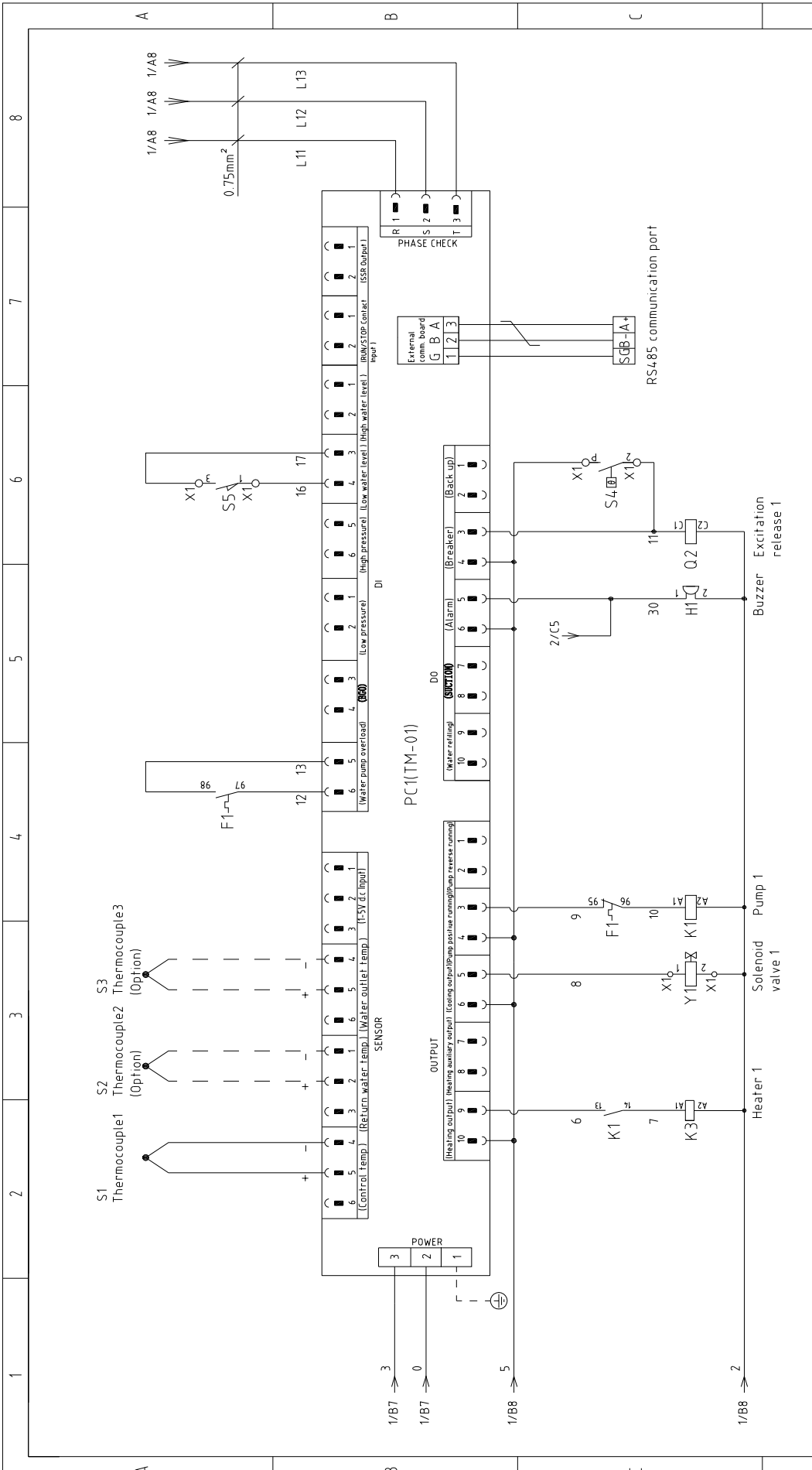
1		2		3		4		5		6		7		8	
NO.	Symbol	Name	Manufacturer	Type	Specification	Number	Material number	Remark							
1	Q1	Main Switch	EATON	P1-32/EA/SVB	32A	1	YE10323200000								
2	Q2 Q3	Circuit Breakers	TECO	BM-63C	16A	2	YE40301603000								
3		Excitation Release	TECO	MX	24VAC	2	YE40024000000								
4	K1 K2	Contactors	SIEMENS	3RT6015-1AB01	24VAC	2	YE00601502500								
5	K3 K4	Contactors	SIEMENS	3RT6018-1AB01	24VAC	2	YE00601802500								
6	F1 F2	Thermo Overload Relay	SIEMENS	3RU6116-0KB0	0.9-1.25A	2	YE01160900000								
7	FU1	Fuse Base	CHINT	RT28-32	32A 2P	1	YE41032200000								
8		Fuse Core	MRO	10x38 500V	2A	2	YE46002000100								
9	FU2 FU3	Fuse	YINDA	FS-10	2A	2	YE41001000000								
10		Fuse	----	6x30/5A	5A	1	YE46630500100								
11	T	Transformer	----	IN=4.00V OUT=24VAC/230V	120VA/350mA	1	YE70040005500								
12	S1 S6	Thermocouple	SHINI	----	K	2	----	(1)							
13	S2 S3 S7 S8	Thermocouple	SHINI	----	K	4	----	(1)(3)							
14	S4 S9	Overheat Protector	----	----	----	2	----	(1)							
15	S5 S10	Micro Switch	RENEW	----	----	2	----	(1)							
16	PC1 PC2 A1 A2	Circuit Board	YUYUN	TM-01 (含通讯)	180~4.30V 50/60Hz	2	YE81012200300								
17	Y1 Y2	Solenoid Valve	----	----	24VAC	2	----	(1)							
18	X1	Terminal Board	----	2.5mm <sup>2</sup>	----	12	YE60002503200								
19		Terminal Board	----	2.5mm <sup>2</sup> PE	----	6	YE60002503400								
20		Terminal Board	----	6.0mm <sup>2</sup>	----	3	YE60000603200								
21		Terminal Board	----	6.0mm <sup>2</sup> PE	----	1	YE60000603500								
22	M1 M2	Motor	SHINI	TP-55	4.00V 50Hz 0.55kW	2	----	(1)							
23	EH1 EH2	Heater	SHINI	6kW	4.00V 50Hz	2	----	(1)							
24	H1	Buzzer	----	PK-35A	24VAC/DC	1	YE84003500600								
版本		Ver E		Notes: (1)Means it's not the material inside the control box.(2)Means equipped with function of displaying water outlet and return water temperature. (3)Means equipped with magnetic pump		Drawing NO									
				Title		STM-607-D		Electrical Components List		STM-607-D-CE-400V-F-6		Scale		Page 6	
				Version		F		Approved by		CE		Standard		Totally 6 Pages	
Mark		Before modification		Modified by		Date		Proofread by		Voltage		Frequency		400V	
				20170422				Checked by		50HZ					





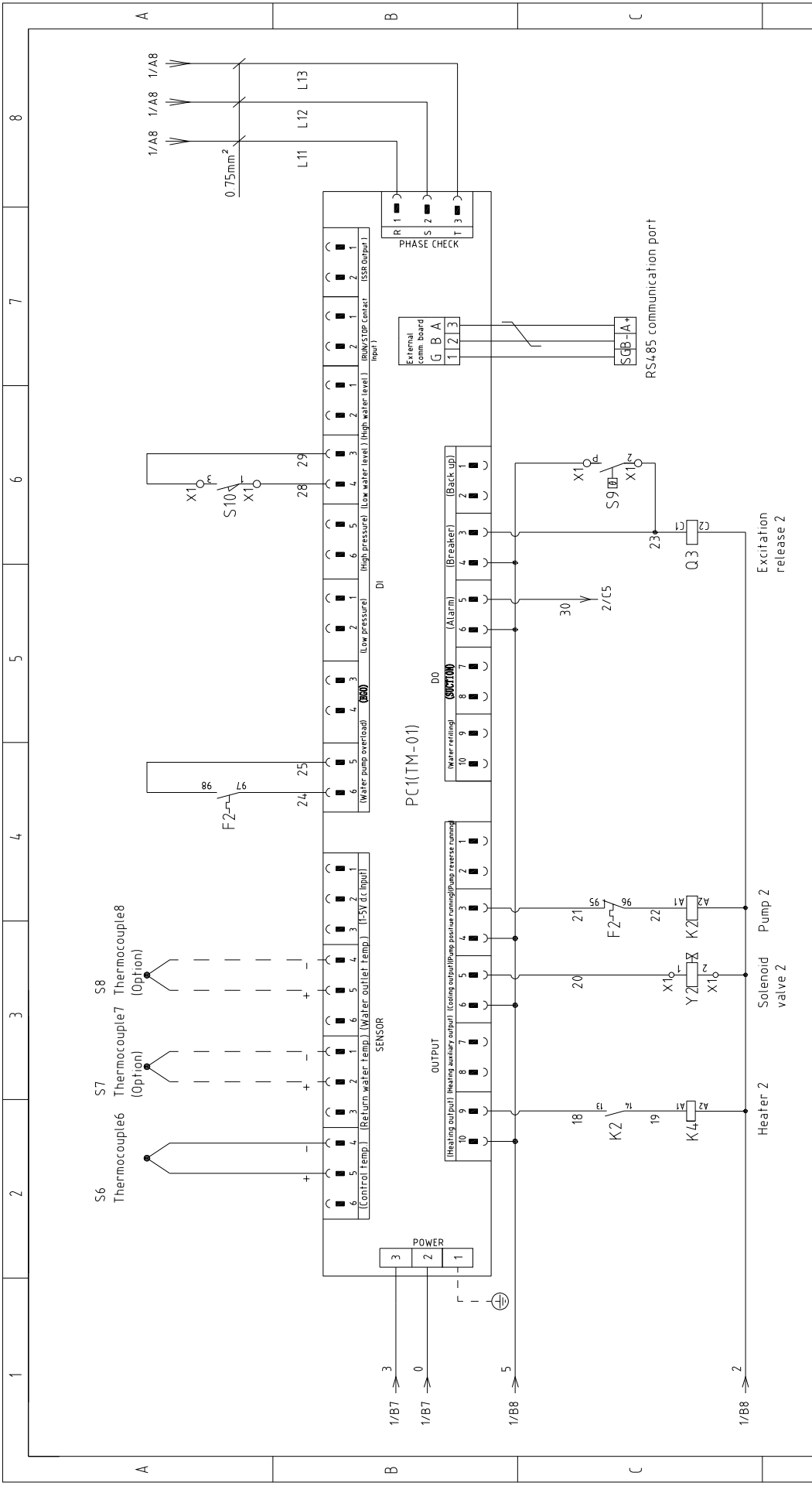
版本	Ver.E		
	Mark	Before modification	After modification
修改日期	20170422		
修改人			
检查人			
设计人			
制图人			
Version	F		
Approved by			
Date	20170422		
Title			
STM-910-D		Main Circuit Diagram	
Drawing NO			
STM-910-D-CE-400V-F-1		Scale	CE
Page	1	Totally	6
Pages		Voltage	400V
		Frequency	50HZ





版本 Ver.E		Drawing NO		Page 2	
		STM-910-D		Standard CE	
		Control Circuit Diagram 1		Totally 6 Pages	
		STM-910-D-CE-400V-F-2		Voltage 400V	
		信易電熱機械股份有限公司 Shini Plastics Technologies, Inc.		Frequency 50HZ	
		SHINI		7	
		F		6	
		Version		5	
		Approved by		4	
		Date		20180102	
		Modified by		3	
		Modify date		2	
		After modification		1	
		Mark		Before modification	

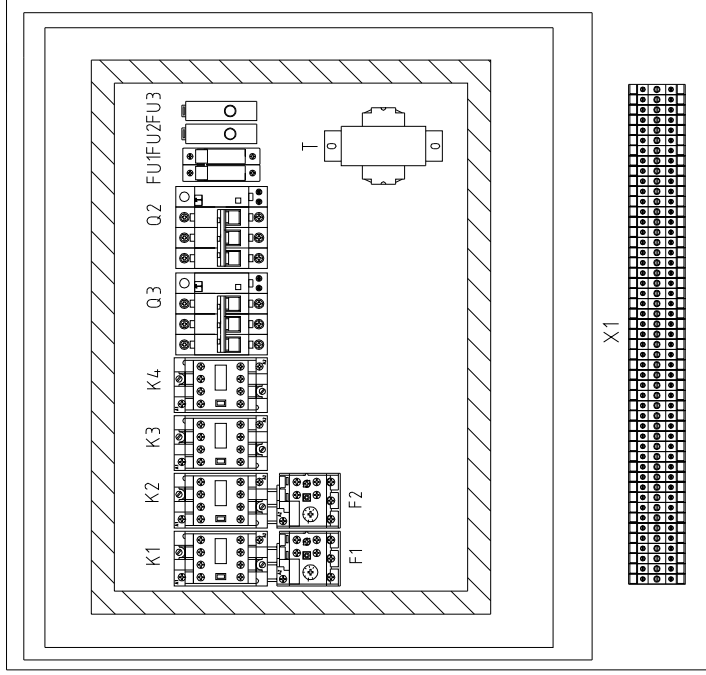
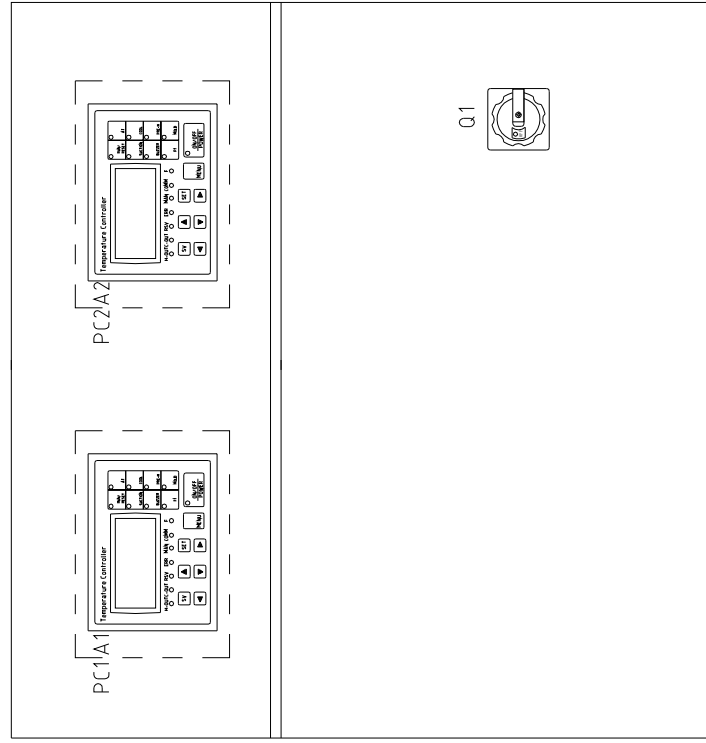




版本	Ver.E
Mark	Before modification
Modified by	
Modify date	
Checked by	
Proofread by	
Designer	
Drawer	
Version	
Approved by	
Date	20180102

Title		Drawing NO	
STM-910-D		STM-910-D-CE-400V-F-3	
Control Circuit Diagram 2			
Scale		Page	
Standard		CE	
Voltage		400V	
Frequency		50HZ	
Totally		6	
Pages		8	



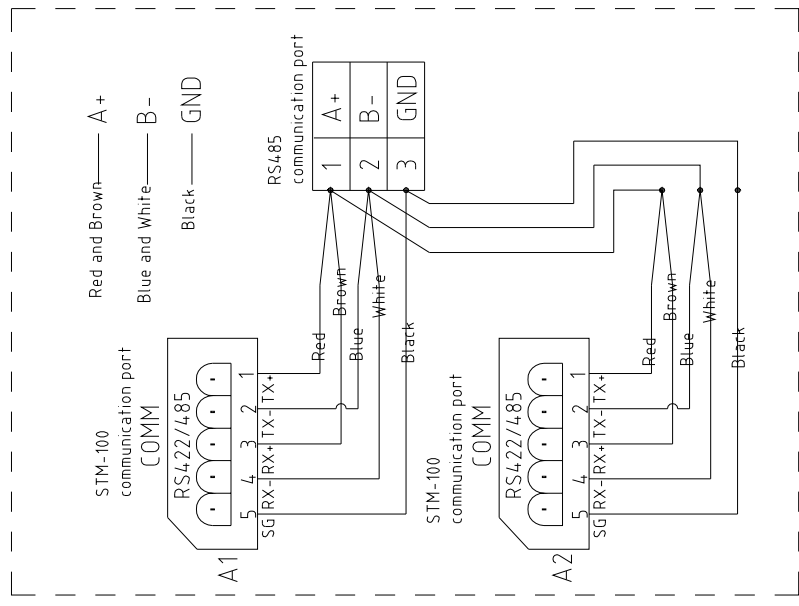
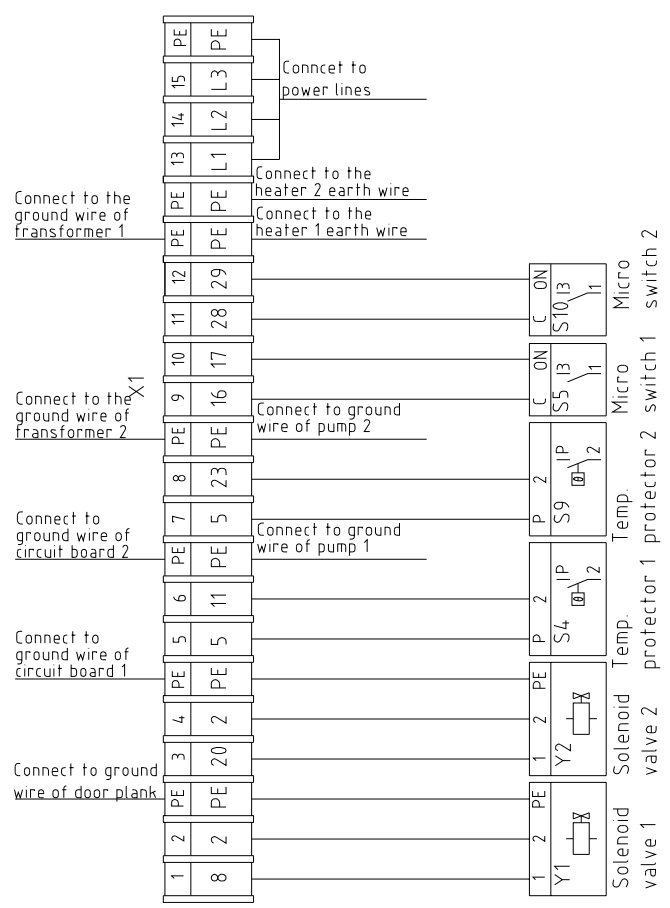


版本 Ver.E

Drawer	Version	F	Title	STM-910-D	Drawing NO	Scale	Page	4
Designer	Approved by		Electrical Components Layout	STM-910-D-CE-400V-F-4	Standard	CE	Totally	6
Proofread by	Date	201704-22			Voltage	400V	Frequency	50HZ
Checked by	Modified by							
Modify date	After modification							
Before modification								



Technical requirements: (1) Positive (+) and negative (-) poles of thermocouple should be directly connected to thermocouple's input terminal of circuit board. There is no need for them to go through the terminal board.  
 (2) Pump and pipe heater should be directly connected to the output terminals of contactor and thermal overload relay.



RS485 Communications wiring diagram

Mark	Before modification	Modified by	Modify date	Checked by	Date
1			20170422		

Version	Approved By	Date
F		20170422

Title		Drawing NO	
STM-910-D		STM-910-D-CE-400V-F-5	
Terminal Connection Diagram		Standard	
CE		Voltage	
400V		Frequency	
50HZ		Page	
5		Totally	
6		Pages	



1		2		3		4		5		6		7		8	
No.	Symbol	Name	Manufacturer	Type	Specification	Number	Material number	Remark							
1	Q1	Main Switch	EATON	P3-63/EA/SVB	63A	1	YE10636300000								
2	Q2 Q3	Circuit Breakers	TECO	BM-63C	25A	2	YE40302503000								
3	K1 K2	Excitation Release	TECO	MX	24VAC	2	YE40024000000								
4	K3 K4	Contactors	SIEMENS	3RT6015-1AB01	24VAC	2	YE00601502500								
5	F1 F2	Thermo Overload Relay	SIEMENS	3RT6025-1AC20	24VAC	2	YE00602502600								
6	FU1	Fuse Base	CHNT	3RU6116-1CB0	18-2.5A	2	YE01160180000								
7	FU2	Fuse Core	MRO	RT28-32	32A 2P	1	YE41032200000								
8	FU3	Fuse	YINDA	10x38 500V	2A	2	YE46002000100								
9	T	Transformer	BAIYUN	FS-10	-----	2	YE41001000000								
10	S1 S6	Thermocouple	SHINI	6x30/5A	5A	1	YE46630500100								
11	S2 S3 S7 S8	Thermocouple	SHINI	IN=4.00V OUT=24VAC/230V	120VA/350mA	1	YE70040005500								
12	S4 S9	Overheat Protector	SHINI	-----	K	2	-----	(1)							
13	S5 S10	Micro Switch	RENEW	-----	K	4	-----	(2)							
14	PC1 PC2 A1 A2	Circuit Board	YUYUN	-----	250V 5(4)A	2	-----	(1)							
15	Y1 Y2	Solenoid Valve	YUYUN	TM-01 (含通讯)	-----	2	-----	(1)							
16	X1	Terminal Board	-----	2.5mm <sup>2</sup>	180~4.30V 50/60Hz	2	YE81012200300								
17	X2	Terminal Board	-----	2.5mm <sup>2</sup> PE	24VAC	2	-----	(1)							
18	X3	Terminal Board	-----	10.0mm <sup>2</sup>	-----	12	YE60002503200								
19	X4	Terminal Board	-----	10.0mm <sup>2</sup> PE	-----	6	YE60002503400								
20	M1 M2	Motor	SHINI	TP-75	400V 50Hz 0.75kW	3	YE60001003200								
21	EH1 EH2	Heater	SHINI	9kW	400V 50Hz	1	YE60001003500								
22	H1	Buzzer	-----	PK-35A	400V 50Hz	2	-----	(1)							
23			-----		24VAC/DC	2	-----	(1)							
24			-----			1	YE84003500600								
<b>版本</b> Ver E Notes: (1)Means it's not the material inside the control box (2)Means equipped with function of displaying water outlet and return water temperature.															
D		Drawing NO		Title		Version		F		Scale		Page		D	
		STM-910-D		Electrical Components List		STM-910-D-CE-400V-F-6		Standard		CE		Voltage		400V	
												Frequency		50HZ	
Mark		Before modification		Modified by		Modify date		20170422							
1		2		3		4		5		6		7		8	

