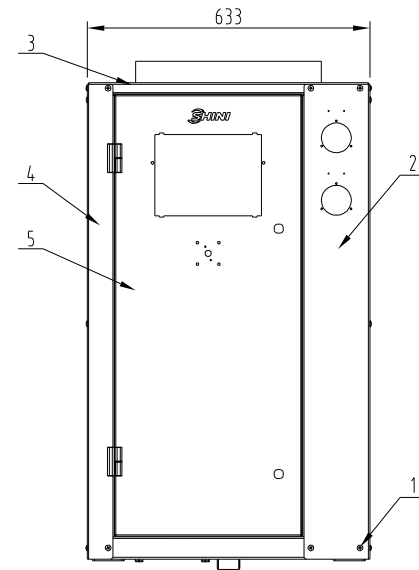
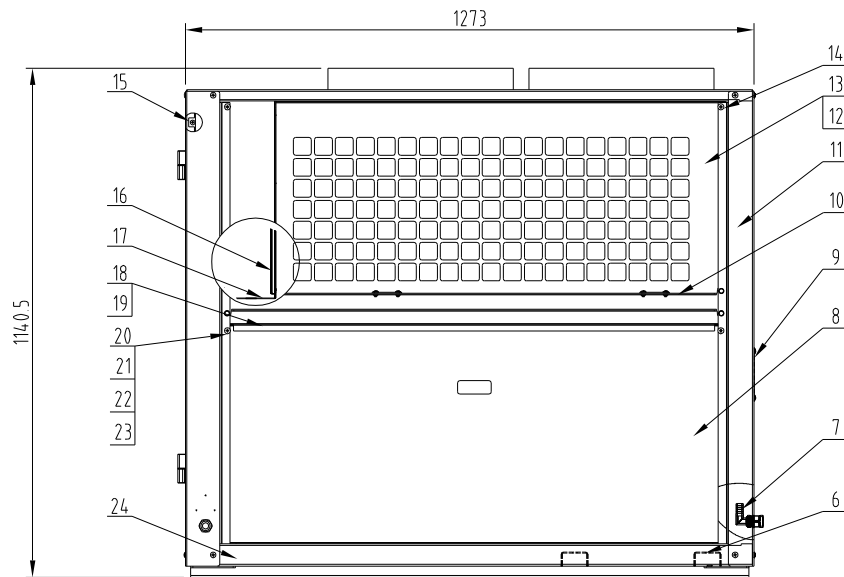


10	YW06203100400	Large chain (L203-11eff) (has mould)	Aluminium alloy	2	
9	YW03000300000	3" black PPR castor with brake	Assembly	2	
8	YW03000300200	3" flexible black PPR castor	Assembly	2	
7	YE67001600000	Cable head	Plastic	1	
6	YW00816100000	Door lock (MS816-1 black)	Assembly	2	
5	YW61103400000	Cross recessed pan head screw M4x10	A2-70	12	
4	YW85003500000	low pressure gauge (0-35bar)	Assembly	1	
3	YW85005500000	High pressure gauge (0-55bar)	Assembly	1	
2	SIC-5A-EB-A-ALL	Rack	Assembly	1	
1	YM60440000900	Fan YWFA4T-400S-5DIIA00	Assembly	2	

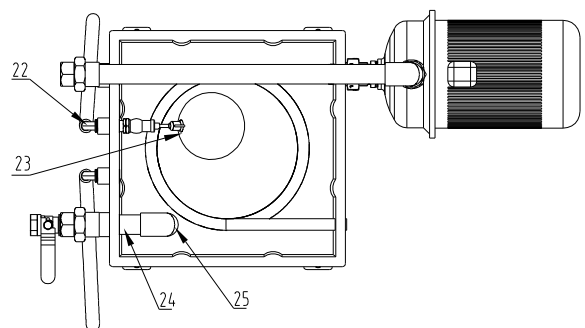
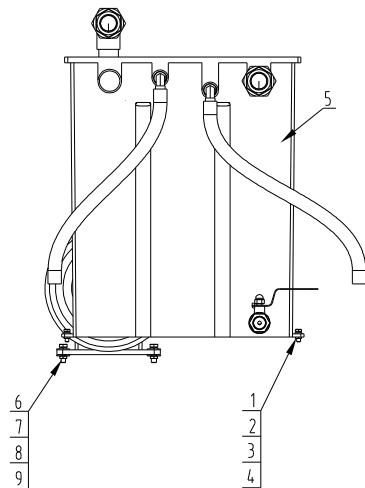
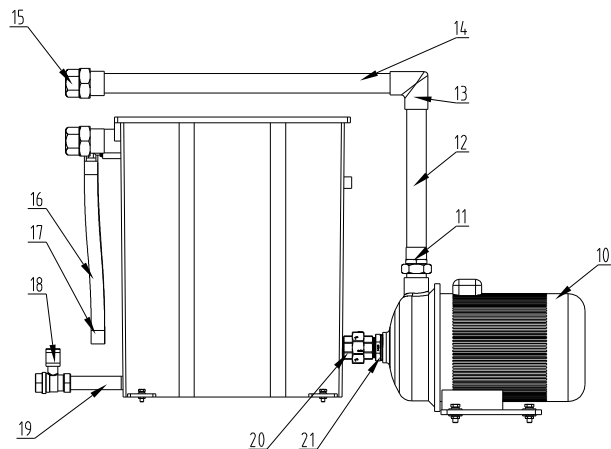
16	SIC-5A-EB-C-ALL	Refrigerant system	Assembly	1	
15	SIC-5A-EB-B-ALL	Water system	Assembly	1	
14	YW66081600000	Flat washer A grade (8.4x16x1.6)	Longzine	16	
13	YW65008000100	Standard spring washer 8	Longzine	16	
12	YW60081600100	Hexagon screw bolt M8x16-4.8	Longzine	16	
11	YW62051000100	Cross recessed pan head screw M5x10	Longzine	8	

序号	代号	名称	材质	数量	备注	序号	代号	名称	材质	数量	备注		
		制图		版号	0	标题	SIC-5A-EB	图号	SIC-5A-EB-ALL	比例	1:15	数量	1
		设计		核准		总装图				材质	Assembly		
		校对				 <b>信易電熱機械股份有限公司</b> <b>Shini Plastics Technologies, Inc.</b>				表面要求	本图采用第一角画法		
标记	更改前	更改后	更改人	日期	审核			日期	20230703				




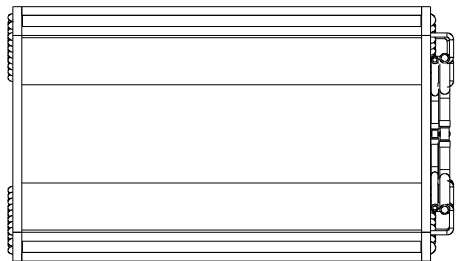
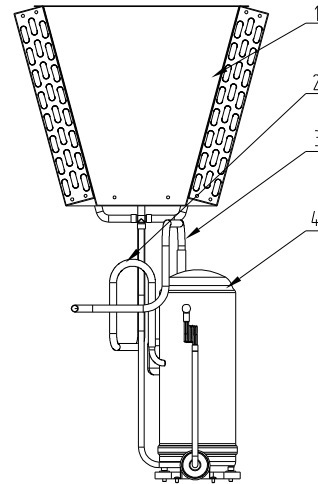
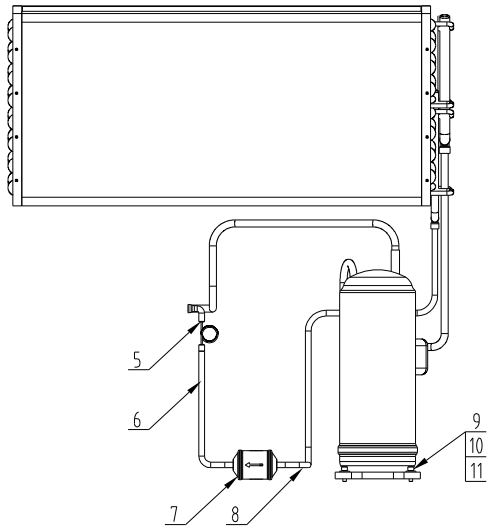
24	SIC-5A-EB-A-ALL-15	Base plate	SPCC	1		12	SIC-5A-EB-A-ALL-09	Upper left panel	SPCC	1	
23	YW64000600300	Hexagon nut GB/T6170 M6	Longzine	8		11	SIC-5A-EB-A-ALL-08	Rear plate	SPCC	1	
22	YW66061300000	Flat washer A grade GB/T97.1 6	Longzine	8		10	SIC-5A-EB-A-ALL-07	Installation beam of condenser	SPCC	2	
21	YW65006000100	Standard spring washer GB/T93 6	Longzine	8		9	SIC-5W-EB-A-ALL-14	Small cover plate	SPCC	1	Borrowed
20	YW60061500100	Hex bolt GB/T5783 M6x16	Longzine	8		8	SIC-5A-EB-A-ALL-06	Lower side plate	SPCC	2	
19	SIC-5A-EB-A-ALL-14	Right crossbeam	SPCC	1		7	YW50121600100	1/2" L-shaped external tooth insert 16MM	CU	2	
18	SIC-5A-EB-A-ALL-13	Left crossbeam	SPCC	1		6	SIC-5A-EB-A-ALL-05	Water tank raised beam	SPCC	2	
17	SIC-5A-EB-A-ALL-12	Electric control box	SPCC	1		5	SIC-5A-EB-A-ALL-04	Door plank	SPCC	1	
16	SIC-5A-EB-A-ALL-11	Electrical Base Plate	SECC	1		4	SIC-5A-EB-A-ALL-03	Front left pillar	SPCC	1	
15	YW62051000100	Cross recessed pan head screw M5x10	Longzine	4		3	SIC-5A-EB-A-ALL-02	Cover plate	SPCC	1	
14	YW62063000000	Cross recessed pan head screw M6x30	Longzine	8		2	SIC-5A-EB-A-ALL-01	Meter plate	SPCC	1	
13	SIC-5A-EB-A-ALL-10	Upper right side panel	SPCC	1		1	YW62061000000	Cross recessed pan head screw M6x10	Longzine	30	
序号	代号	名称	材质	数量	备注	序号	代号	名称	材质	数量	备注

				制图		版号	0	标题	SIC-5A-EB	图号	SIC-5A-EB-A-ALL	比例	1:15	数量	1
				设计		核准		机架				材质		组件	
				校对				 <b>信易電熱機械股份有限公司</b> <b>Shini Plastics Technologies, Inc.</b>				表面要求			
标记	更改前	更改后	更改人	日期	审核	日期	20230703						本图采用第一角画法		



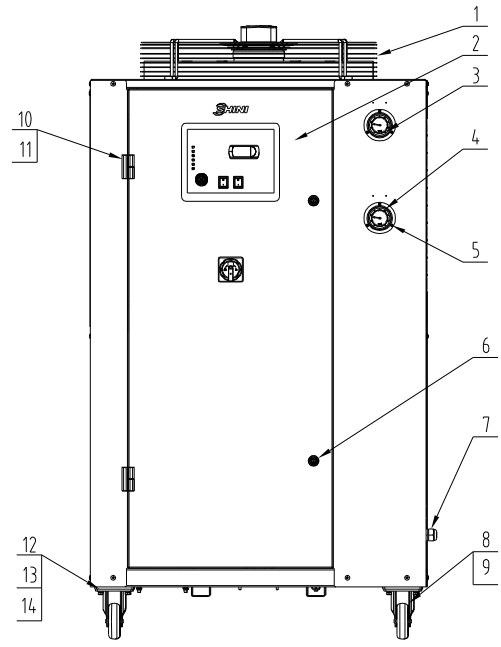
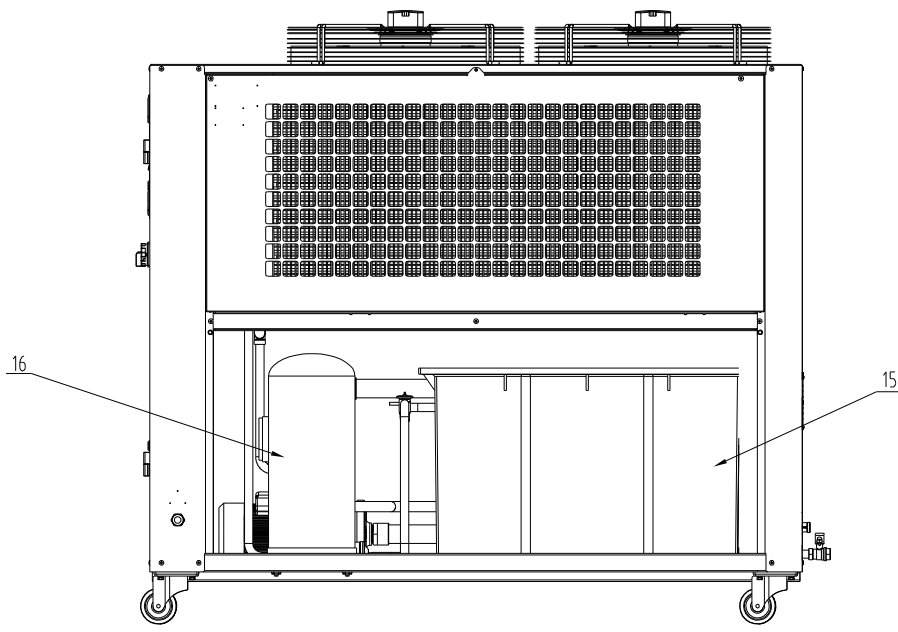
25	SIC-5W-EB-B-ALL-09	Return water pipe 2	PPR	1	Borrowed
24	SIC-5W-EB-B-ALL-07	Return water pipe 1	PPR	1	Borrowed
23	YW59010200000	Ball switch 1/2"(copper)	Assembly	1	
22	YW50121600100	1/2" L-shaped external tooth insert 16MM	CU	2	
21	YW57125100100	Stainless steel joint 125 "PT outer tooth x 1" PT inner tooth	SUS304	1	
20	YW50000104.700	Stainless steel external wire flexible joint 1-inch external teeth	SUS304	1	
19	SIC-5W-EB-B-ALL-10	Drainage pipe	SUS201	1	Borrowed
18	YW50010200100	Copper ball valve 1/2" PT	CU	1	
17	YW02182900000	Stainless steel pipe clamp 18-29MM	SUS201	4	
16	YR60051000000	Steel wire hose 0.5"x100M heat-resistant 100 degree	PVC	2M	
15	JW54000100600	PPR infernal thread union 1" across 39MM	Assembly	2	
14	SIC-5W-EB-B-ALL-06	Pump outlet pipe 2	PPR	1	Borrowed
13	JW53903200000	PPR equal diameter 90 degree elbow #32	PPR	2	
12	SIC-5W-EB-B-ALL-05	Pump outlet pipe 1	PPR	1	Borrowed
11	YW54000101500	PPR external thread union 1"	Assembly	1	
10	YM20700300100	Stainless steel single-stage centrifugal pump AMS70/0.37	Assembly	1	
9	YW64080600000	Hex nut GB/T6170 M8	Longzine	4	
8	YW66081600000	Flat washer A grade (8.4x16x1.6)	Longzine	4	
7	YW65008000100	Standard spring washer 8	Longzine	4	
6	YW60082500100	Hexagon screw bolt GB/T5783 M8x25-12.9	Longzine	4	
5	YW87555300100	Water tank evaporator WHFP-SN55	PPR	1	
4	YW60061500100	Hexagon bolt M6x16 Longzine	Longzine	4	
3	YW65006000100	Standard spring washer GB/T93 6-Longzine	Longzine	4	
2	YW66061300000	Flat washer A grade GB/T97.16-Longzine	Longzine	4	
1	YW64000600300	Hex nut GB/T6170 M6-Longzine	Longzine	4	
序号	代 号	名 称	材 质	数 量	备 注

					制图	版号	0	标题	SIC-5A-EB	图号	SIC-5A-EB-B-ALL	比例	1:1	数量	1
					设计	核		水系				材 质	Assembly		
					校对	准						表面要求			
标记	更改前	更改后	更改人	日期	审核	日期	20230705	 <b>信易電熱機械股份有限公司</b> <b>Shini Plastics Technologies, Inc.</b>				本圖採用第一角画法			



11	YW61083500000	Inner hex. column head screw M8x35	Longzine	4	
10	YW66081600000	Flat washer A grade (8.4×16×1.6)	Longzine	4	
9	YW65008000100	Standard spring washer 8	Longzine	4	
8	SIC-5A-EB-C-05	Compressor outlet pipe	TP2	1	
7	YW85008300600	EK drying filter EK-083S	Assembly	1	
6	SIC-5A-EB-C-04	Filter copper tube 1	TP2	1	
5	SIC-5W-EB-B-ALL-04	Capillary	TP2	1	Borrowed
4	YM70040400000	Compressor E404DH-38D2G	Assembly	1	
3	SIC-5A-EB-C-03	Compressor return pipe 2	TP2	1	
2	SIC-5A-EB-C-02	Compressor return pipe 1	TP2	1	
1	SIC-5A-EB-C-01	Condenser	Assembly	1	
序号	代 号	名 称	材 质	数 量	备 注

					制图	版号	0	标题	SIC-5A-EB	图号	SIC-5A-EB-C-ALL	比例	1:15	数量	1
					设计	核			冷媒系统			材 质	Assembly		
					校对	准						表面要求			
标记	更改前	更改后	更改人	日期	审核	日期	20230705		<b>SHINI</b> 信易電熱機械股份有限公司 Shini Plastics Technologies, Inc.			本图采用第一角画法			

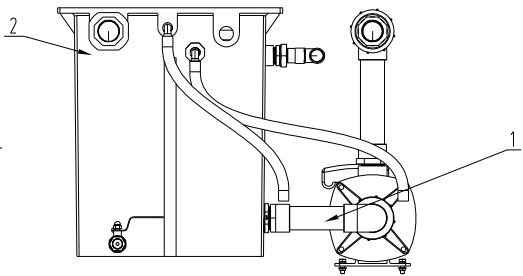
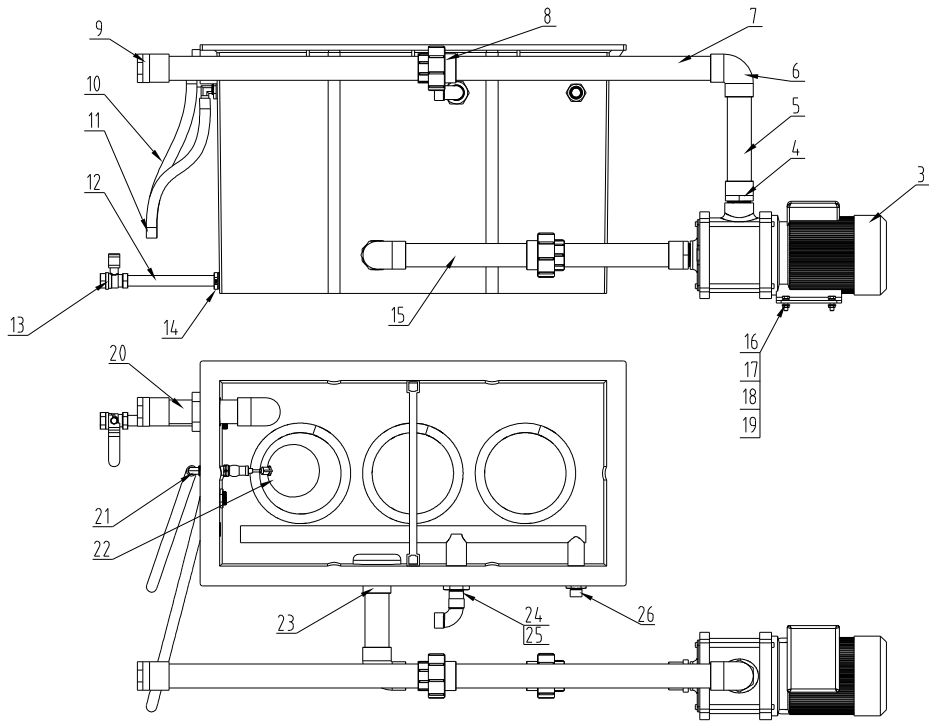


10	YW06203100400	Large chain CL203-1(left)(has mould)	Aluminium alloy	2	
9	YW03000400000	4" black PPR castor with brake	Assembly	2	
8	YW03000400200	4" flexible black PPR castor	Assembly	2	
7	YE67002100000	Cable head PG21	Plastic	1	
6	YW00816100000	Door lock (MS816-1 blk. with key)	Assembly	2	
5	YW63040600000	Cross recessed pan head screw M4x6	Longzine	6	
4	YE10050600300	Low pressure switch 0.5MPa open 0.6 MPa closed	Assembly	1	
3	YE10254000300	High voltage switch opens at 2.5MPa and closes at 4.0MPa	Assembly	1	
2	SIC-15A-EB-A-ALL	Rack	Assembly	1	
1	YM60606000200	Fan YWF A4T-600S-5DIIA00	Assembly	2	

16	SIC-15A-EB-C-ALL	Refrigerant system	Assembly	1	
15	SIC-15A-EB-B-ALL	Water system	Assembly	1	
14	YW66081600000	Flat washer A grade (8.4×16×16)	Longzine	16	
13	YW65008000100	Standard spring washer 8	Longzine	16	
12	YW60081600100	Hexagon screw bolt M8x16-4.8	Longzine	16	
11	YW62051000100	Cross recessed pan head screw M5x10	Longzine	8	

序号	代号	名称	材质	数量	备注	序号	代号	名称	材质	数量	备注		
		制图		版号	0	标题	SIC-15A-EB	图号	SIC-15A-EB-ALL	比例	1:15	数量	1
		设计		核准		总装图				材质	Assembly		
		校对				 <b>信易電熱機械股份有限公司</b> Shini Plastics Technologies, Inc.				表面要求			
标记	更改前	更改后	更改人	日期	审核			日期	20230829			本图采用第一角画法	

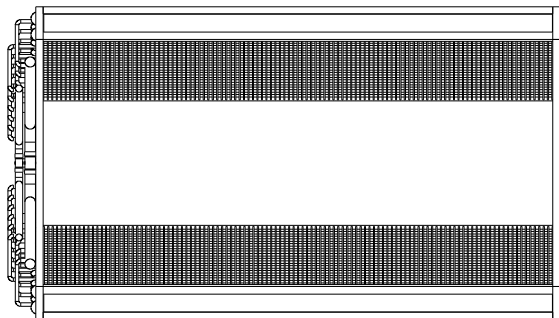
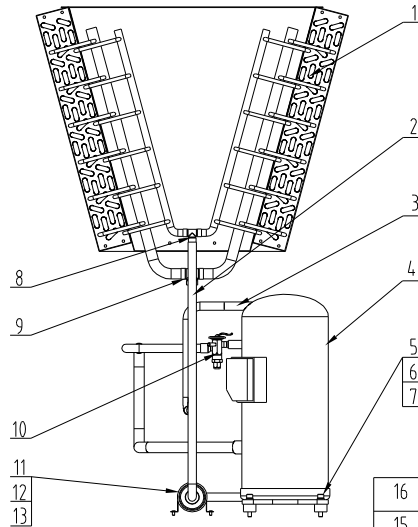
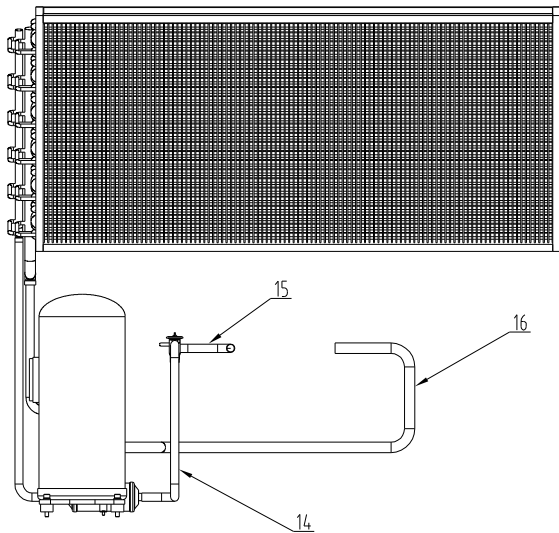




20	SIC-15A-EB-B-06	Water outlet pipe	PVC	1	
19	YW60082500100	Hexagon bolt GB/T5783 M8x25	Longzine	4	
18	YW64080600000	Hex nut GB/T6170 M8	Longzine	8	
17	YW66081600000	Flat washer A grade (8.4x16x16)	Longzine	16	
16	YW65008000100	Standard spring washer 8	Longzine	8	
15	SIC-15A-EB-B-05	Water pump connecting pipe 4	PVC	2	
14	YW90011200100	Joint PVC1 "outer wire to 1/2" inner wire joint	PVC	1	
13	YW50010200100	Copper ball valve 1/2" PT	CU	1	
12	SIC-15A-EB-B-04	Drainage pipe	SUS201	1	
11	YW02182900000	Stainless steel pipe clamp 18-29MM	SUS201	4	
10	YR60051000000	Steel wire hose 0.5"x100M heat-resistant 100 degree	PVC	2M	
9	JR41015000100	PVC-U water supply pipe inner thread direct joint De50 x 15"	PVC	2	
8	YW54001503100	PVC-U water supply pipe union De50 joint	PVC	2	
7	SIC-15A-EB-B-03	Water pump connecting pipe 3	PVC	2	
6	JR41015001100	PVC-U water supply pipe 90 degree elbow De50 Liansu		3	
5	SIC-15A-EB-B-02	Water pump connecting pipe 2	PVC	2	
4	JR41001501300	PVC-U water supply pipe outer thread direct joint De50 x 15"		2	
3	YM20831100100	Liou water pump EMH8-3/1 (1.5KW/3/380V/50HZ)	Assembly	1	
2	YW87151600100	Water tank coil heat exchanger WHFP-15T161	Assembly	1	
1	SIC-15A-EB-B-01	Water pump connecting pipe 1	PVC	1	

26	YW50222200100	Socket outer wire copper union φ22.22x3/4"		1	
25	YW05000900000	90 degree copper elbow 9/8" (drawing number: SIC-026)		1	
24	YW50285800100	Socket outer wire copper union φ 28.58 x 1"		1	
23	YW90021500100	Joint PVC2 "outer thread to 1.5" inner thread joint	PVC	1	
22	YW59010200000	Ball switch 1/2" (copper)	Assembly	1	
21	YW50121600100	1/2" L-shaped external tooth insert 16MM	CU	2	

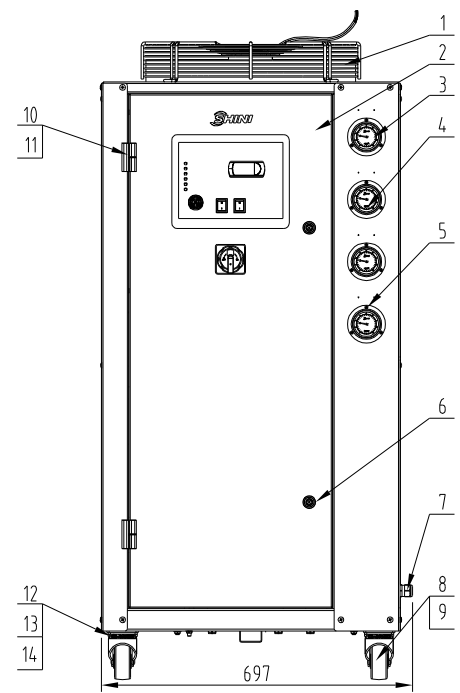
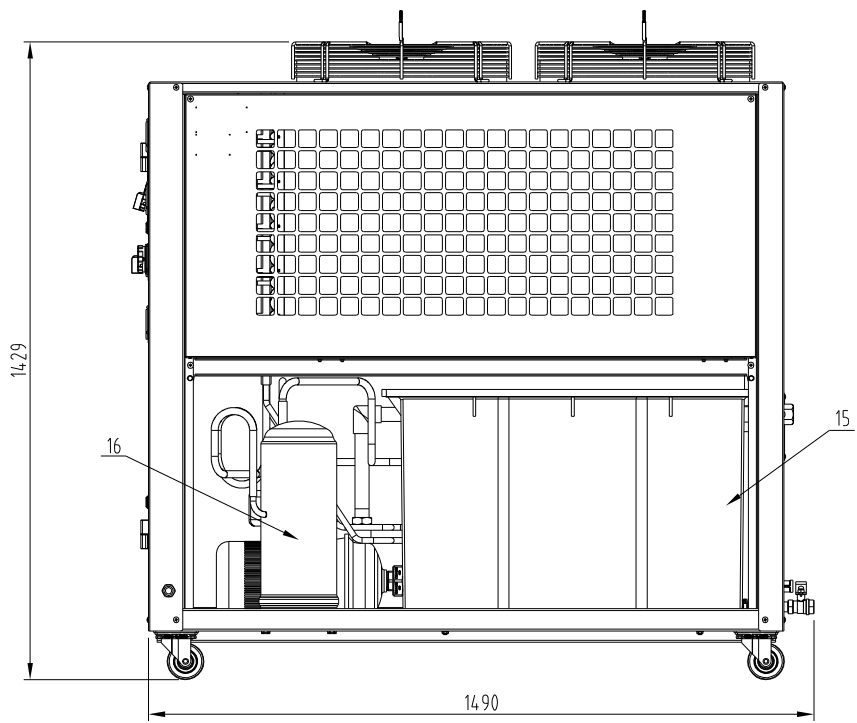
序号	代号	名称	材质	数量	备注	序号	代号	名称	材质	数量	备注		
		制图		版号	0	标题	SIC-15A-EB	图号	SIC-15A-EB-B-ALL	比例	1:14	数量	1
		设计		核准		水系统				材质	Assembly		
		校对								表面要求			
标记	更改前	更改后	更改人	日期	审核	日期	20230904	 <b>信易電熱機械股份有限公司</b> <b>Shini Plastics Technologies, Inc.</b>		本圖採用第一角画法			



16	SIC-15A-EB-C-06	Compressor connecting pipe	TP2	1	
15	SIC-15A-EB-C-05	Expansion valve connecting pipe 2	TP2	1	
14	SIC-15A-EB-C-04	Expansion valve connecting pipe	TP2	1	
13	SIC-15A-EB-C-07	Filter pressure block	SPCC	1	
12	YW62061000000	Large cross socket flat head screw M6x10-Longzine	Longzine	2	
11	YW85030500100	Drying filter EK305SIEMERSON	Assembly	1	
10	YW85001300000	Expansion valve TGEL13 5/8"×7/8"	Assembly	1	
9	YW05000900100	Equal diameter copper three way 9/8"	CU	1	
8	YW05000600200	Equal diameter copper three way 3/4"	CU	1	
7	YW66102000100	Flat washer A grade 10(11x20x2)	Longzine	4	
6	YW65010000000	Standard spring washer 10	Longzine	4	
5	YW61105000000	Inner hex. column head screw M10×50	Longzine	4	
4	YM70018200000	Compressor ZP182KCE-TFD	Assembly	1	
3	SIC-15A-EB-C-03	Exhaust copper pipe	TP2	1	
2	SIC-15A-EB-C-02	Filter pipe 1	TP2	1	
1	SIC-15A-EB-C-01	Condenser	Assembly	1	
序号	代 号	名 称	材 质	数 量	备 注

					制图	版号	0	标题	SIC-15A-EB	图号	SIC-15A-EB-C-ALL	比例	1:17	数量	1
					设计	核			冷媒系统			材 质	Assembly		
					校对	准						表面要求			
标记	更改前	更改后	更改人	日期	审核	日期	20230904	 <b>信易電熱機械股份有限公司</b> <b>Shini Plastics Technologies, Inc.</b>			本图采用第一角画法				



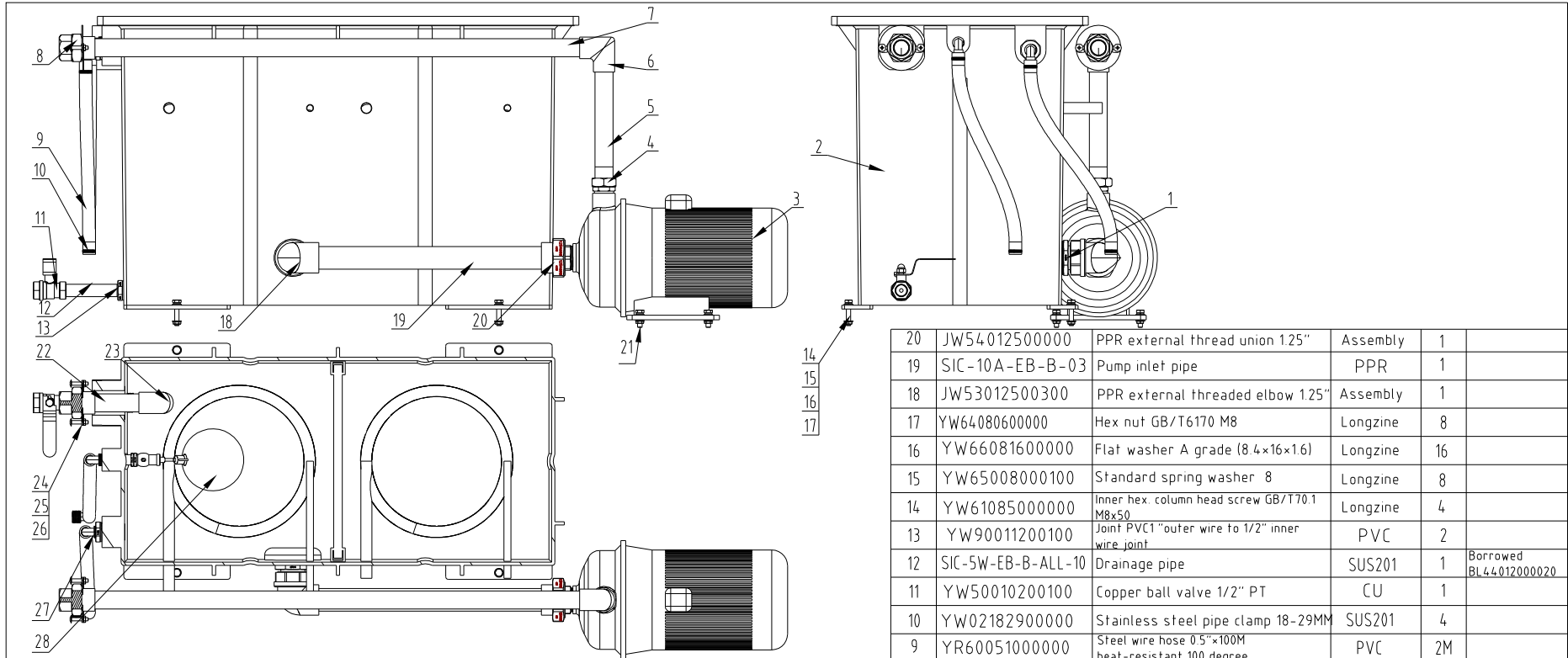


10	YW06203100400	Large chain CL203-1(left)(has mould)	Aluminium alloy	2	
9	YW03000300000	3" black PPR castor with brake	Assembly	2	
8	YW03000300200	3" flexible black PPR castor	Assembly	2	
7	YE67001600000	Cable head	Plastic	1	
6	YW00040600100	Door lock-short gear plate MF-406	Assembly	2	
5	YW61103400000	Cross recessed pan head screw M4x10 A2-70		12	
4	YW85003500000	low pressure gauge (0-35bar)	Assembly	2	
3	YW85005500000	High pressure gauge (0-55bar)	Assembly	2	
2	SIC-10A-EB-A-ALL	Rack	Assembly	1	
1	YM60445000600	Fan YWF.A4T-450S-5DIIA00	Assembly	2	

16	SIC-10A-EB-C-ALL	Refrigerant system	Assembly	1	
15	SIC-10A-EB-B-ALL	Water system	Assembly	1	
14	YW66081600000	Flat washer A grade (8.4x16x16)	Longzine	16	
13	YW65008000100	Standard spring washer 8	Longzine	16	
12	YW60081600100	Hexagon screw bolt M8x16-4.8	Longzine	16	
11	YW62051000100	Cross recessed pan head screw M5x10	Longzine	8	

序号	代号	名称	材质	数量	备注	序号	代号	名称	材质	数量	备注		
		制图		版号	0	标题	SIC-10A-EB	图号	SIC-10A-EB-ALL	比例	1:15	数量	1
		设计		核准		总装图				材质	Assembly		
		校对				 <b>信易電熱機械股份有限公司</b> <b>Shini Plastics Technologies, Inc.</b>			表面要求	本图采用第一角画法			
标记	更改前	更改后	更改人	日期	审核			日期	20230610				





28	YW59010200000	Ball switch 1/2"(copper)	Assembly	1		20	JW54012500000	PPR external thread union 1.25"	Assembly	1	
27	YW50121600100	1/2" L-shaped external tooth insert 16MM	CU	2		19	SIC-10A-EB-B-03	Pump inlet pipe	PPR	1	
26	YW64000600300	Hex nut GB/T6170 M6	Longzine	4		18	JW53012500300	PPR external threaded elbow 1.25"	Assembly	1	
25	YW62063000000	Cross recessed pan head screw M6x30	Longzine	4		17	YW64080600000	Hex nut GB/T6170 M8	Longzine	8	
24	SIC-5W-EB-B-ALL-08	Connect to fixed plate	SUS201	4	Borrowed	16	YW66081600000	Flat washer A grade (8.4×16×1.6)	Longzine	16	
23	SIC-10A-EB-B-05	Return water pipe 2	PPR	1		15	YW65008000100	Standard spring washer 8	Longzine	8	
22	SIC-10A-EB-B-04	Return water pipe 1	PPR	1		14	YW61085000000	Inner hex. column head screw GB/T70.1 M8x50	Longzine	4	
21	YW60082500100	Hexagon bolt GB/T5783 M8x25	Longzine	4		13	YW90011200100	Joint PVC1 "outer wire to 1/2" inner wire joint	PVC	2	
序号	代号	名称	材质	数量	备注	序号	代号	名称	材质	数量	备注
						12	SIC-5W-EB-B-ALL-10	Drainage pipe	SUS201	1	Borrowed BL44012000020
						11	YW50010200100	Copper ball valve 1/2" PT	CU	1	
						10	YW02182900000	Stainless steel pipe clamp 18-29MM	SUS201	4	
						9	YR60051000000	Steel wire hose 0.5"×100M heat-resistant 100 degree	PVC	2M	
						8	JW54000100600	PPR internal thread union 1" across 39MM	Assembly	2	
						7	SIC-10A-EB-B-02	Pump outlet pipe 2	PPR	1	
						6	JW53903200000	PPR equal diameter 90 degree elbow ø32	PPR	2	
						5	SIC-10A-EB-B-01	Pump outlet pipe 1	PPR	1	
						4	YW54000101500	PPR external thread union 1"	Assembly	1	
						3	YM20700700100	Stainless steel single-stage centrifugal pump AMS70/0.75	Assembly	1	
						2	WHFP-5X2T131	Water tank coil heat exchanger WHFP-5X2	Assembly	1	YW87521300100
						1	YW90212500100	Joint PVC2 "outer wire to 1.25" inner wire joint	PVC	1	

制图	版号	0	标题	SIC-10A-EB		图号	SIC-10A-EB-B-ALL		比例	1:1	数量	1
设计	核准		水系统					材质	Assembly			
校对	审核							表面要求				
标记	更改前	更改后	更改人	日期	日期	20230612	SHINI 信易電熱機械股份有限公司 Shini Plastics Technologies, Inc.		本圖採用第一角画法			

