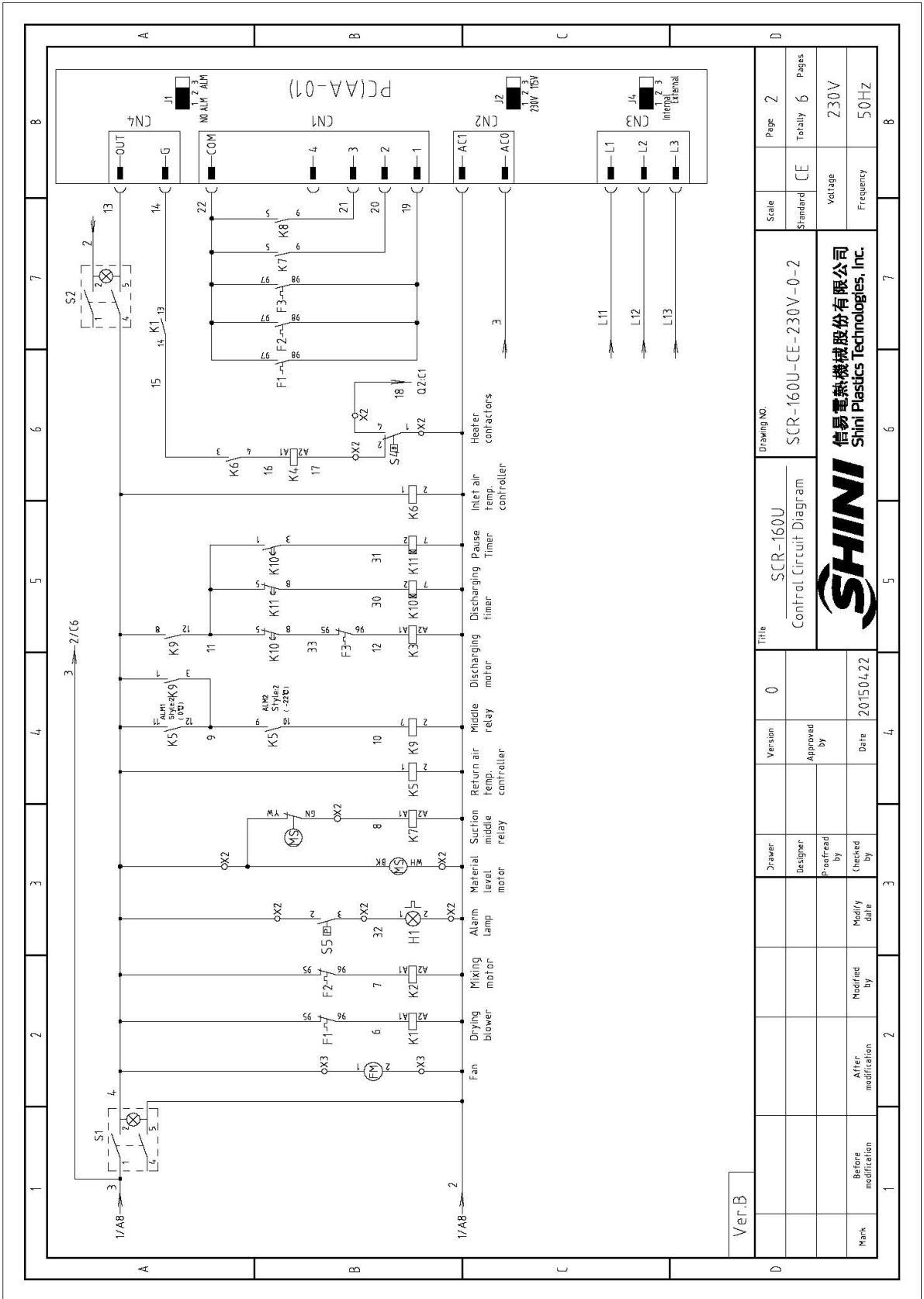


Ver.B

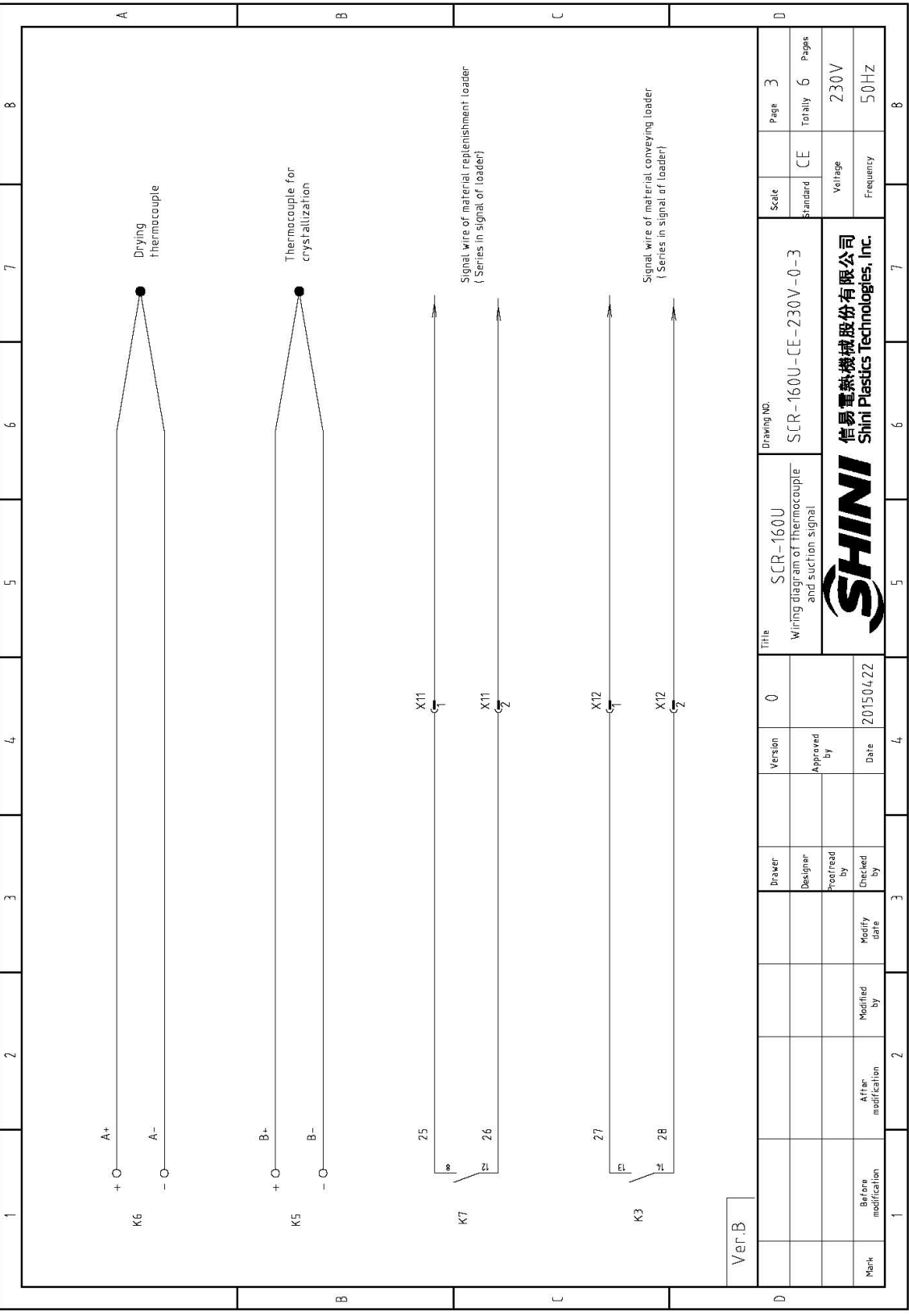
Mark	Before modification	After modification	Modified by	Modify date	Checked by	Date	2015/04/22	Designer	Version	0	Title	SCR-160U		Drawing NO.	SCR-160U-CE-230V-0-1		Scale	Page 1	Standard	CE	Totally	6	Pages	Voltage	230V	Frequency	50HZ
	1											2	3		4	5		6		7		8					

**SHINI** 信易電熱機械股份有限公司  
Shini Plastics Technologies, Inc.



Ver.B

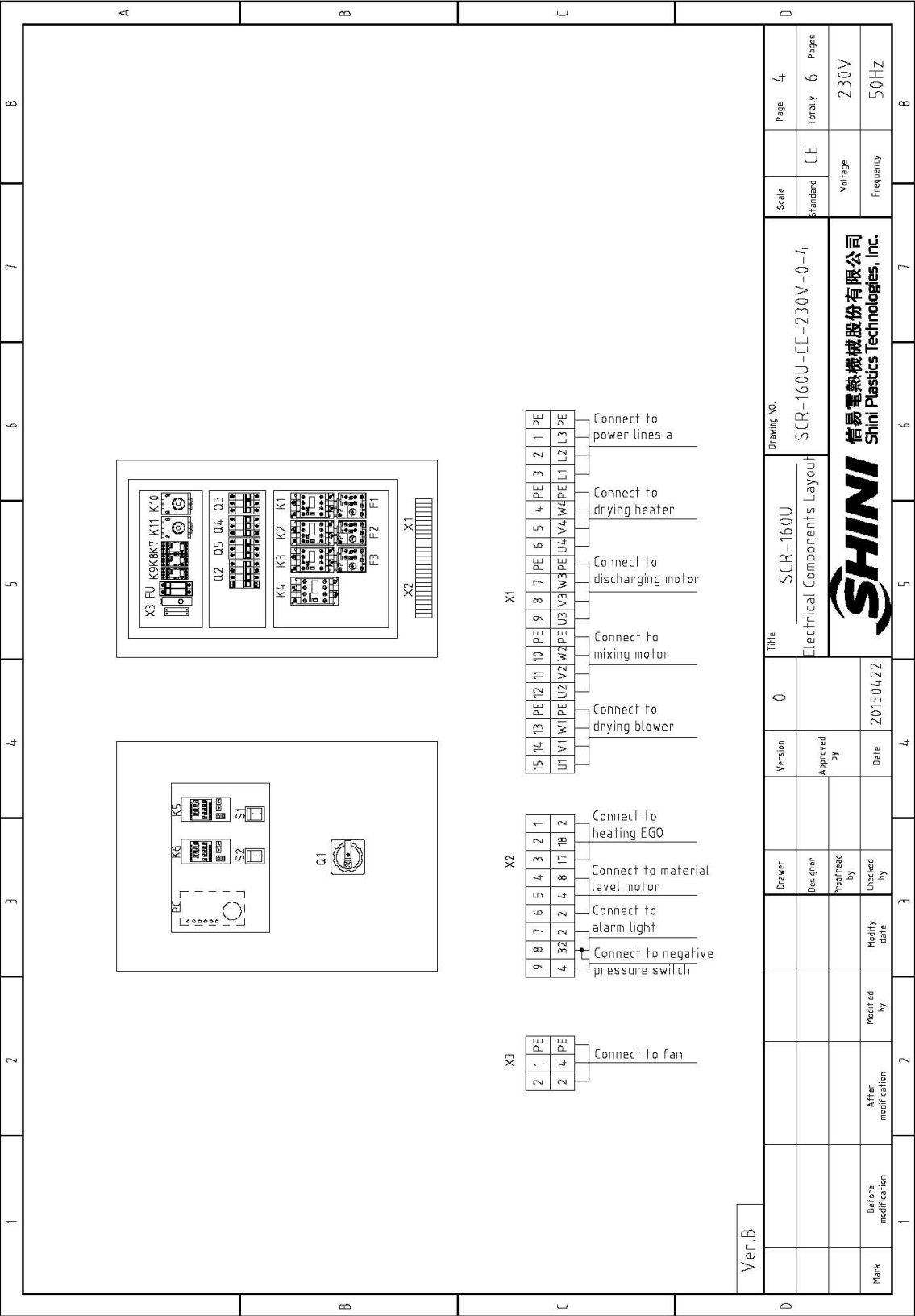
Title		Drawing NO.		Scale		Page	
SCR-160U Control Circuit Diagram		SCR-160U-CE-230V-0-2		Standard CE		2	
Version		Designer		Voltage		Frequency	
0		Checked by		230V		50Hz	
Approved by		Date		Totality 6 Pages			
		20150422					
After modification		Modified by		SHINI			
Before modification		Modify date		信易电热机械股份有限公司			
				Shini Plastics Technologies, Inc.			



Ver.B

Title		Drawing NO.		Scale	Page
SCR-160U Wiring diagram of thermocouple and suction signal		SCR-160U-CE-230V-0-3		CE	3
Version		Standard		Totally	
0				6	
Designer		Checked by		Voltage	
				230V	
Proofread by		Approved by		Frequency	
				50Hz	
Checked by		Date			
		2015/04/22			
Modified by		Modify date			
After modification					
Before modification					





Ver.B

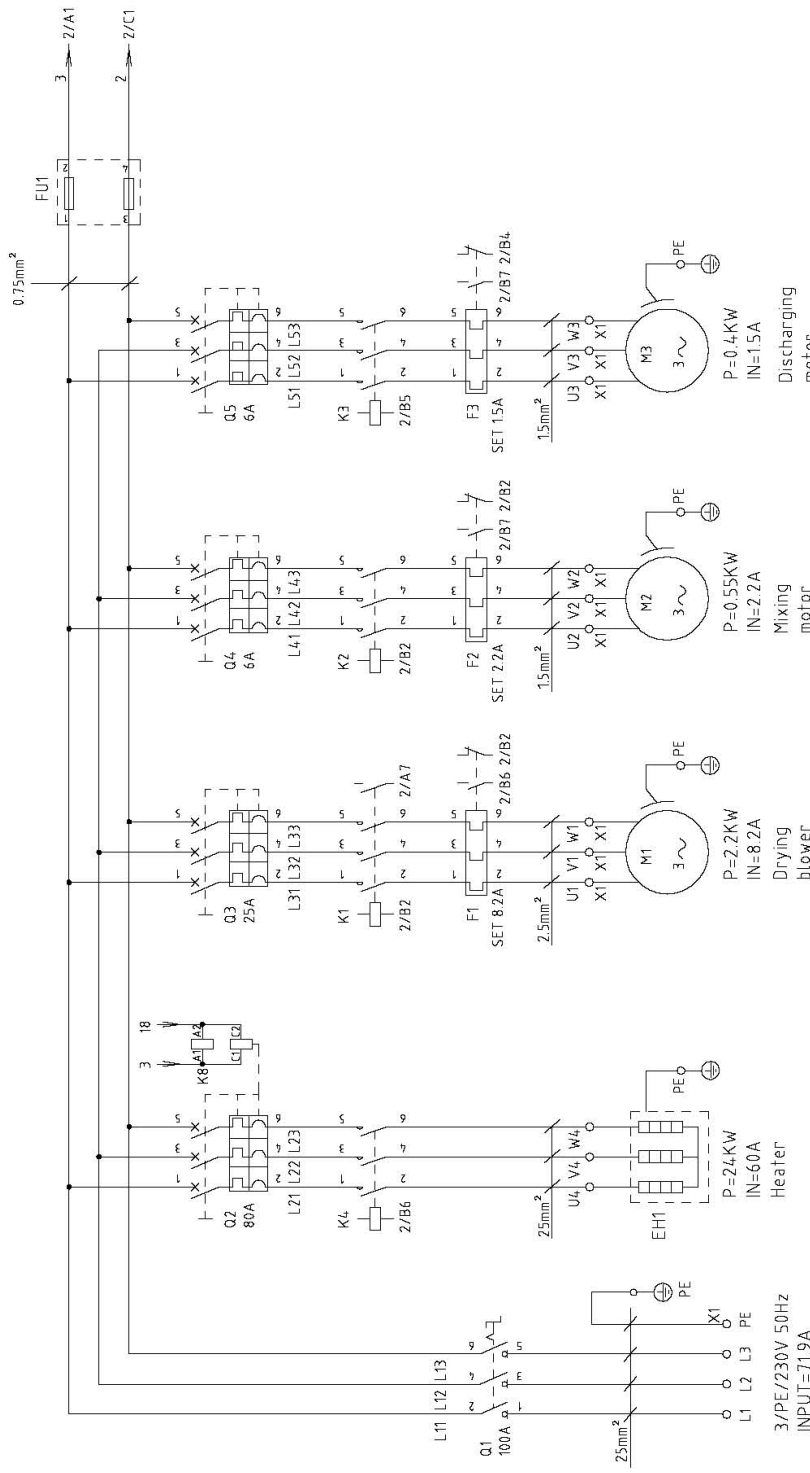
Mark	Before modification	After modification	Modified by	Modify date	Checked by	Designed by	Designer	Version	Title	Drawing No.	Scale	Page
								0	SCR-160U Electrical Components layout	SCR-160U-CE-230V-0-4	Standard	4
				2015/04/22				Approved by			CE	Totally 6
												Pages
												230V
												50HZ

**SHINI**  
信易電熱機械股份有限公司  
Shini Plastics Technologies, Inc.

1		2		3		4		5		6		7		8		
NO.	Symbol	Name	Manufacturer	Type	Specification	Number	Material number	Remark								
1	Q1	Main power switch	SIEMENS	3LD2504-OTK53	63A	1	YE102504.00000									
2	Q2	Circuit breakers	TECO	BM-63C	40A	1	YE40304.003000									
3	Q3 Q4 Q5	Excitation release	CHNT	MX	230VAC	1	YE40023560000									
4	K1	Circuit breakers	TECO	BM-63C	6A	3	YE4030603000									
5	K2	Contactors	SIEMENS	3RT6016-1AN21	230V 50/60Hz	1	YE00601621000									
6	K3	Contactors	SIEMENS	3RT6016-1AN21	230V 50/60Hz	1	YE00601621000									
7	K4	Contactors	SIEMENS	3RT6016-1AN21	230V 50/60Hz	1	YE00601621000									
8	K5 K6	Temperature controller	OMRON	E5EZ	100-240V 50/60Hz	2	YE85005000000									
9	K7 K8 K9	Middle relay	WEIDMULLER	DRM270730LT	230V 50/60Hz	3	YE03270700000									
10	K10 K11	Timer relay	OMRON	H3BA-N8H	230VAC 0-300h	2	YE86300800000									
11	F1	Overload relay	SIEMENS	3RU6116-1DB0	2.2-3.2A	1	YE01160220000									
12	F2	Overload relay	SIEMENS	3RU6116-1AB0	1.1-1.6A	1	YE01160110000									
13	F3	Overload relay	SIEMENS	3RU6116-1BB0	1.4-2A	1	YE01160140000									
14	FU1	Fuse base	CHNT	RT18-32	2P	1	YE41032200000									
15	FU2	Fuse core	CHNT	10x38 500V	2A	2	YE46002000100									
16	FU3	Fuse**	YINDA	FS-10	2A	1	YE41001000000									
17	T	Transformer*	BAIYUN	IN=400V OUT=230V	500mA	1	YE70402300800									
18	PC	PCB	YUYUN	AA-01	230VAC 50/60Hz	1	YE80000100000									
19	S1 S2	Alternative switch	REAB	T120-55	4P WH	2	YE102104.00000									
20	MS	Material level motor	SIPAI	SR-80-T	250VAC	1	YE15000200000	(1)								
21	S4	Overheat protector	EGO	-----	250V 5A	1	YE21503000000	(1)								
22	S5	Negative pressure switch	----	----	----	1	----	(1)								
23	S6 S7	Thermocouple	SHINI	----	K	2	----	(1)								
24	FM1	Fan	SUNON	DP200A	230V 50/60Hz	1	YM60121200400	(1)								
Ver.B Note: (1) Means not part of control box. /* means possible broken parts. ** means easy broken part. and spare backup is suggested.																
		Title		Drawing NO.		Scale		Page								
		SCR-160U		SCR-160U-CE-230V-0-5		Standard		CE								
		Electrical Components List 1						Voltage								
		20150422						Frequency								
		Date						230V								
		Modified by						50HZ								
		Modify date														
		After modification														
		Before modification														
		Checked by														
		Preferred by														
		Designer														
		Version		0												
		Approved by														
		Total		5												
		Total		6												
		Pages		230V												
		Frequency		50HZ												

1		2		3		4		5		6		7		8	
No.	Symbol	Name	Manufacturer	Type	Specification	Number	Material number	Remark							
26	H1	Pulse indicator	----	LED-3051	230VAC 50HZ	1	YE83305100200	(1)							
27	X1		PHOENIX	10mm <sup>2</sup>	76A	6	YE61100000000								
28				10mm <sup>2</sup> PE		2	YE61103500000								
29		Terminal board	PHOENIX	2.5mm <sup>2</sup>	32A	9	YE61250040000								
30				2.5mm <sup>2</sup> PE		3	YE61253500000								
31	X2	Terminal board	PHOENIX	2.5mm <sup>2</sup>	32A	9	YE61250040000								
32	X3	Terminal board	PHOENIX	2.5mm <sup>2</sup>	32A	2	YE61253500000								
33				2.5mm <sup>2</sup> PE		1	YE61253500000								
34	X11 X12	Metal Tie in	----	DF25-3	-----	2	YE68025300200	(1)							
35	M1	Blower	SHINI	-----	0.55KW 230V 50Hz	1	-----	(1)							
36	M2	Motor	SHINI	-----	0.25KW 230V 50Hz	1	-----	(1)							
37	M3	Motor	SHINI	-----	0.4KW 230V 50Hz	1	-----	(1)							
38	EH1	Heater**	SHINI	-----	12KW 230V 50Hz	1	-----	(1)							
Note: (1) Means not part of control box. /*means possible broken parts. ** means easy broken part. and spare backup is suggested Please confirm the version of manual before placing the purchase order to guarantee that the item number of the spare part is in accordance with the real object.															
Ver.B				Version		0		Title		SCR-160U Electrical Components List 2		Drawing No.		SCR-160U-CE-230V-0-6	
		Drawer		Designer		Approved by		Scale		Standard		CE		Page 6 Totally 6 Pages	
Mark		Before modification		Modified by		Modify date		Date		2015/04/22		Voltage		230V	
		After modification						Frequency				50HZ			
1		2		3		4		5		6		7		8	

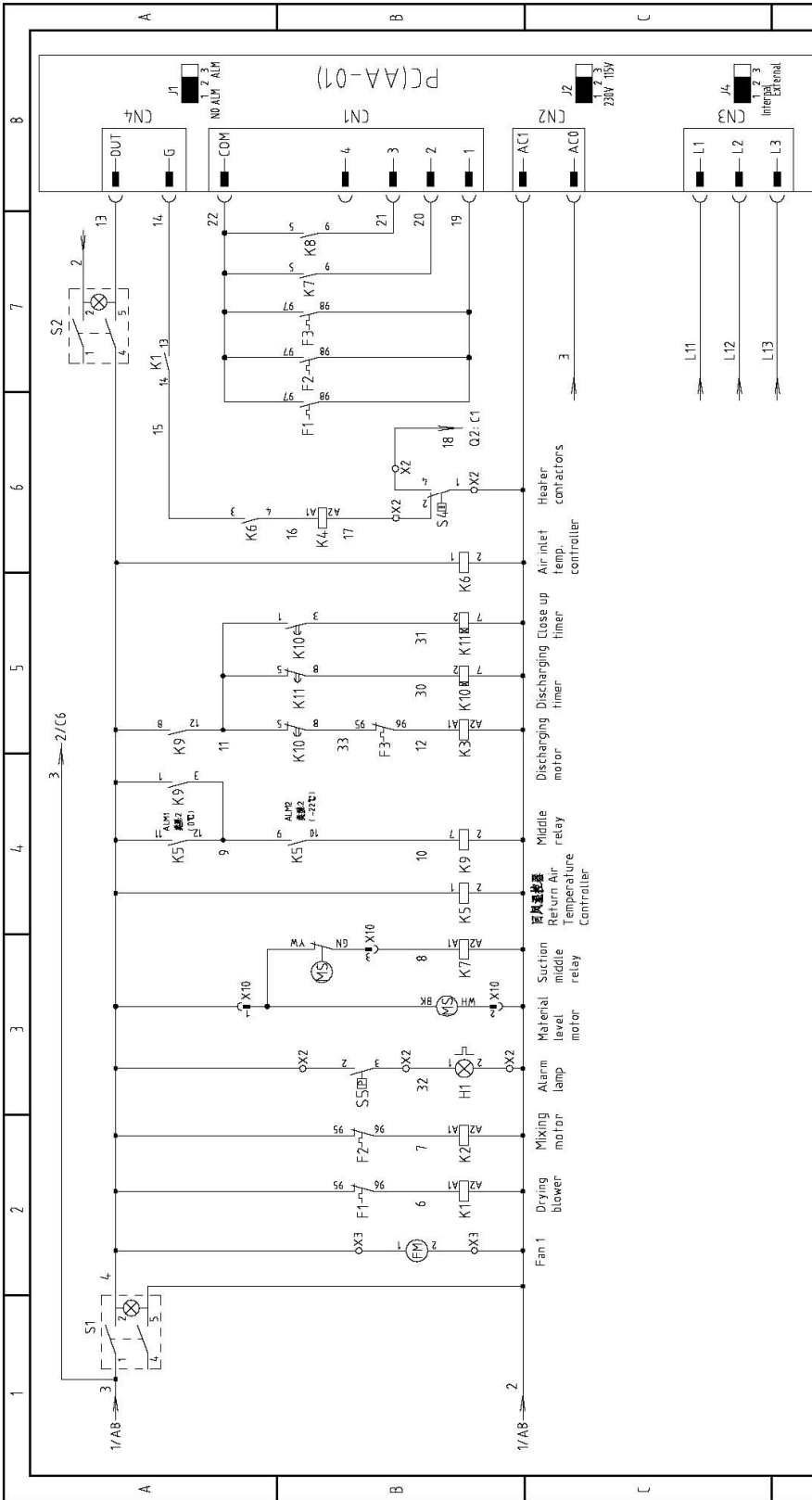




Ver.D

Mark	Before modification	After modification	Modified by	Modify date	Date	2015/04/22	Approved by	Version	0	Title	SCR-450U		Drawing NO.	SCR-450U-CE-230V-0-1	Scale	Standard	CE	Page	1
	Totally	6	Pages	6															
Voltage	230V																		
	Frequency	50Hz																	

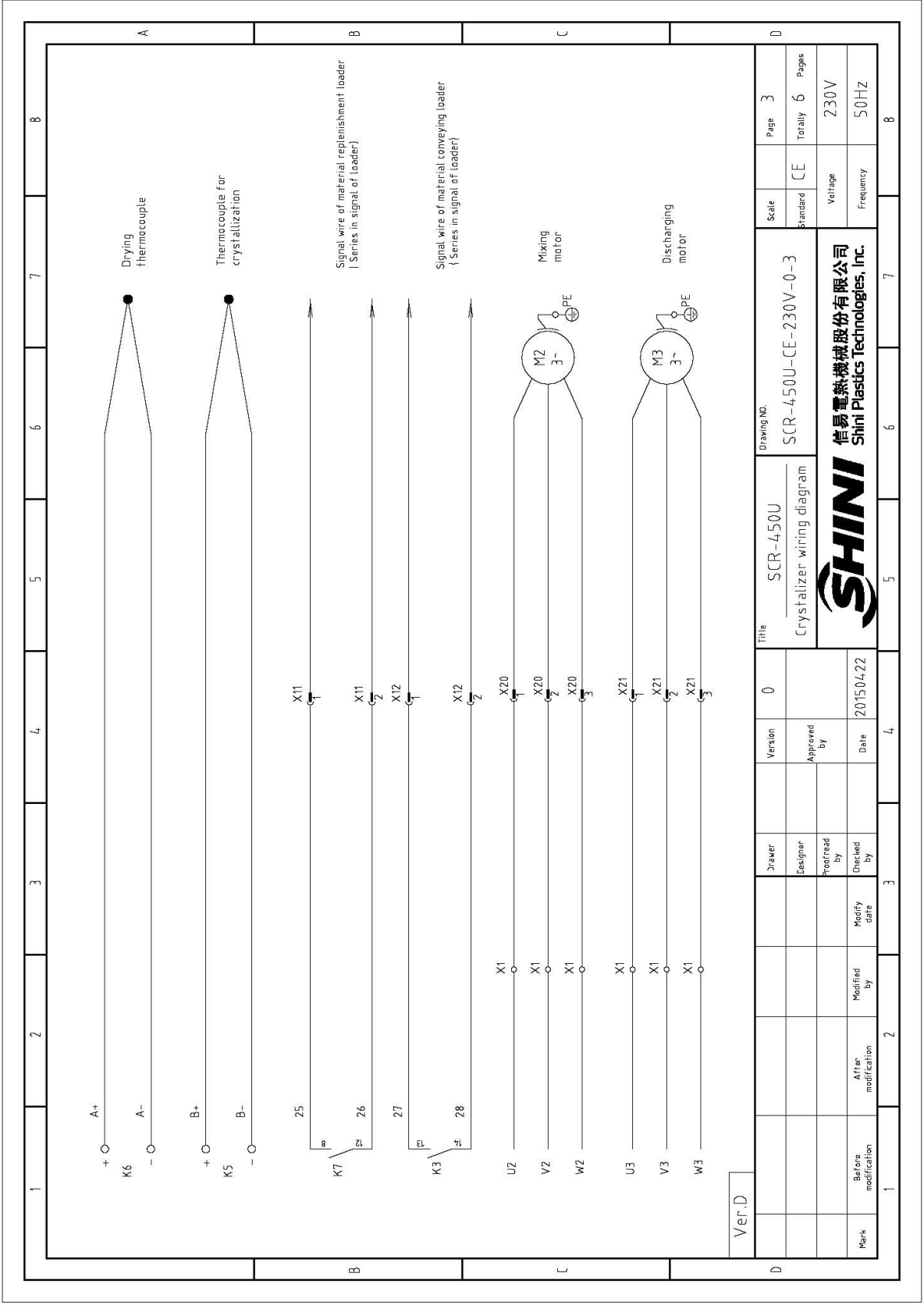




Ver.D

D	Scale	Page	2
		Totality	6
D	Standard	CE	
		Voltage	230V
D	Frequency	50HZ	
		Drawing No. SCR-450U-CE-230V-0-2 <b>SHINI</b> 信易電熱機械股份有限公司 Shini Plastics Technologies, Inc.	
Mark	Before modification	1	
	After modification	2	
	Modified by		
	Modify date		
	Checked by		
	Proofread by		
	Designer		
	Drawer		
	Version	0	
	Title		SCR-450U Control Circuit Diagram
	Drawing No.		SCR-450U-CE-230V-0-2
	Title		SCR-450U Control Circuit Diagram
	Approved by		
	Date	20150422	

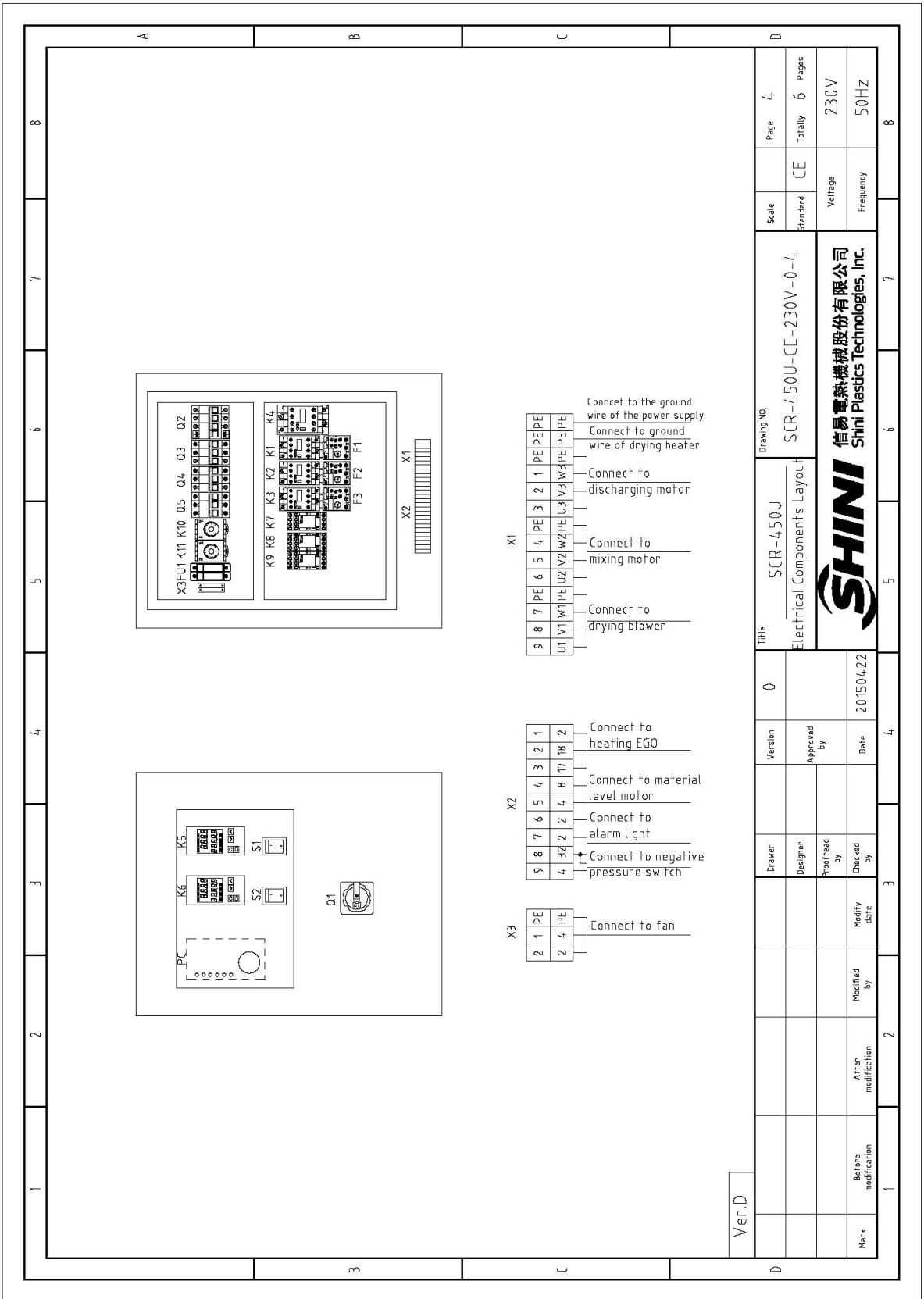




Ver.D

Mark	Before modification	After modification	Modified by	Modify date	Checked by	Proofread by	Designer	Drawer	Version	0	Title	SCR-450U Crystalizer wiring diagram	Drawing No.	SCR-450U-CE-230V-0-3	Scale	Standard	Page	3
Date	2015/04/22		Approved by												CE	Totally	6	Pages
Frequency	50Hz														Voltage			230V

**SHINI**  
信易電熱機械股份有限公司  
Shini Plastics Technologies, Inc.



Ver:D

Mark	Before modification	Modified by	Modify date	1	2	3	4	5	6	7	8
Checked by											
Approved by											
Designer											
Drawer											
Version	0										
Title	SCR-450U Electrical Components Layout										
Drawing No.	SCR-450U-CE-230V-0-4										
Scale	Standard	CE									
Page	4										
Totally	6										
Pages											
Voltage	230V										
Frequency	50HZ										

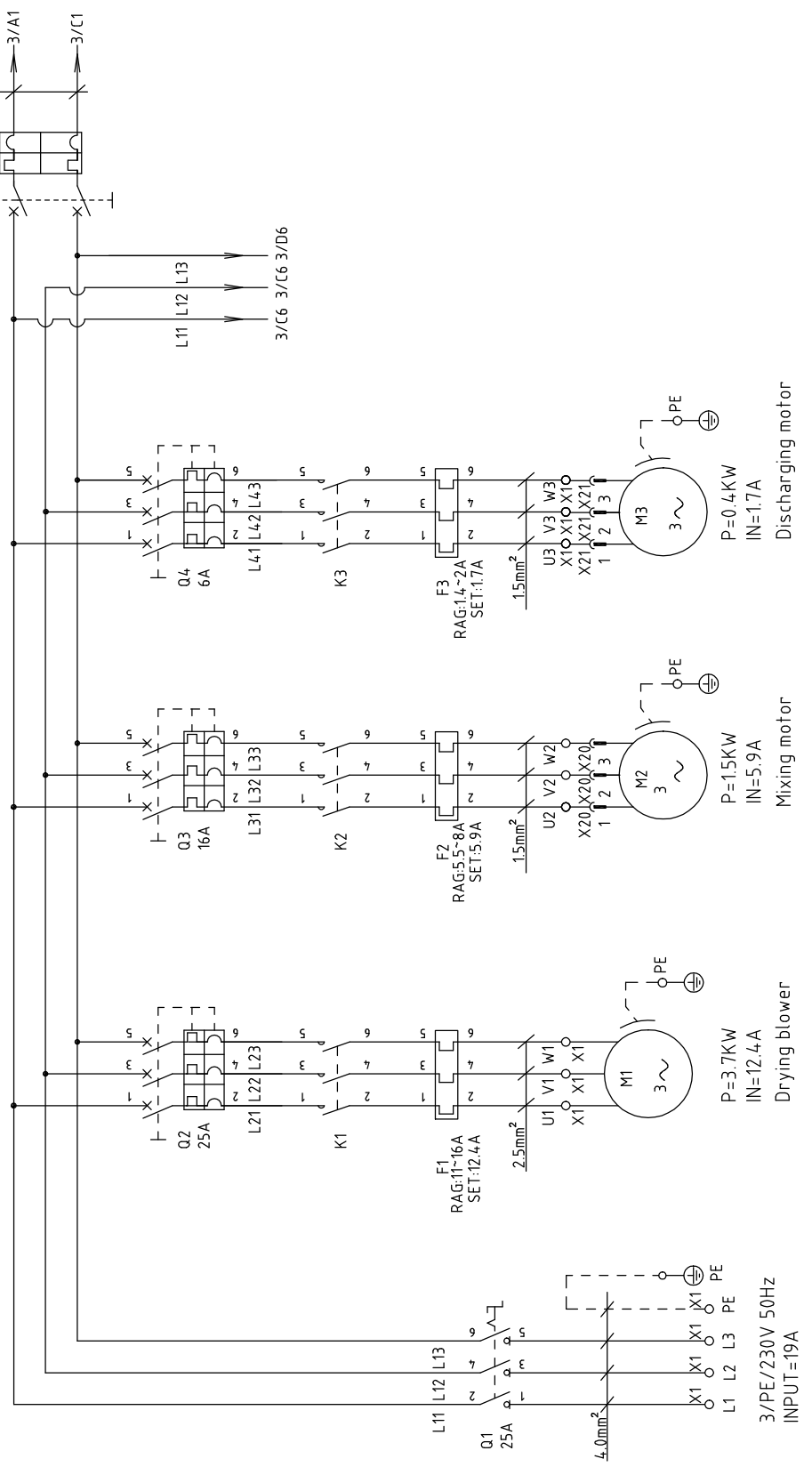
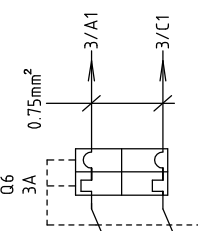


1		2		3		4		5		6		7		8		
NO.	Symbol	Name	Manufacturer	Type	Specification	Number	Material number	Remark								
1	Q1	Main power switch	MOELLER	P3-100/EA/SVB	100A	1	YE1001000000									
2	Q2	Circuit breakers	TECO	BM-100D	80A	1	YE40308003000									
A	3	Excitation release	CHNT	MX	230VAC	1	YE40023560000									
4	Q3	Circuit breakers	TECO	BM-63C	25A	1	YE40302503000									
5	Q4 Q5	Circuit breakers	TECO	BM-63C	6A	2	YE40300603000									
6	K1 K2 K3	Contactors	SIEMENS	3RT6016-1AN21	230V 50/60Hz	3	YE00601621000									
7	K4	Contactors	SIEMENS	3RT5045-1AN20	230V 50/60Hz	1	YE00504500000									
8	K5 K6	Temperature controller	OMRON	E5EZ	100-240V 50/60Hz	2	YE85005000000									
9	K7 K8 K9	Middle relay	WEIDMULLER	DRW270730LT	230V 50/60Hz	3	YE03270700000									
10	K10 K11	Timer relay	OMRON	H3BA-N8H	230VAC 0-300h	2	YE86300800000									
B	11 F1	Overload relay	SIEMENS	3RU6116-1JB0	7-10A	1	YE01167100000									
12 F2	Overload relay	SIEMENS	3RU6116-1DB0	2.2-3.2A	1	YE01160220000										
13 F3	Overload relay	SIEMENS	3RU6116-1BB0	1.4-2A	1	YE01160140000										
14 FU1	Fuse base	CHNT	RT18-32	2P	1	YE41032200000										
15	PC	Fuse core	CHNT	10x38 500V	2A	2	YE46002000100									
16	S1 S2	PCB	YUYUN	AA-01	230VAC 50/60Hz	1	YE800000100000									
17	S1 S2	Alternative switch	REAB	T120-55	4P WH	2	YE10210400000									
18 MS	Material level motor	SIPAI	SR-80-T	250VAC	1	YE15000200000		(1)								
C	19 S4	Overheat protector	EGO	-----	250V 5A	1	YE21503000000		(1)							
20 S5	Negative pressure switch	-----	-----	-----	-----	1	-----		(1)							
21 S6 S7	Thermocouple	SHINI	-----	-----	K	2	-----		(1)							
22 FM1	Fan	SUNON	DP200A	230V 50/60Hz	1	YM60T21200400			(1)							
23 H1	Pulse indicator	----	LED-3051	230VAC 50HZ	1	YE83305100200			(1)							
24 X1	Terminal board	PHOENIX	16mm <sup>2</sup> PE			2	YE61163500000									
25	Terminal board	PHOENIX	2.5mm <sup>2</sup>		41A	9	YE61250040000									
Ver.D	Note: (1) Means not part of control box. / * means possible broken parts. ** means easy broken part, and spare backup is suggested.															
		Drawer		Version		Title		Drawing No.		Scale		Page		5		
		Designer		Approved by		SCR-450U		SCR-450U-CE-230V-0-5		Standard		CE		Totally 6		
		Proofread by		Date		Electrical Components List 1				Voltage		230V				
		Checked by		Date						Frequency		50HZ				
Mark	Before modification	After modification	Modified by	Modify date	20150422											
1	2		3		4		5		6		7		8			



1		2		3		4		5		6		7		8			
No.	Symbol	Name	Manufacturer	Type	Specification	Number	Material number	Remark									
26				2.5mm <sup>2</sup> PE		3	YE61253500000										
27	X2	Terminal board	PHOENIX	2.5mm <sup>2</sup>	32A	9	YE61250040000										
28	X3	Terminal board	PHOENIX	2.5mm <sup>2</sup>	32A	2	YE61253500000										
29				2.5mm <sup>2</sup> PE		1	YE61253500000										
30	X10	Heavy duty connector	SIBAS	HDC-HE-04	4.00V 5A	1	YE68041000000/YE68041000100	(1)									
31	X11 X12	Metal Tie in	----	DF25-3	----	2	YE68025300200	(1)									
32	X20 X21	Waterproof connectors	CEE	RS-314	4.00V 16A	2	YE63314100000	(1)									
33	M1	Blower	SHINI	-----	2.2KW 230V 50Hz	1	----	(1)									
34	M2	Motor	SHINI	-----	0.55KW 230V 50Hz	1	----	(1)									
35	M3	Motor	SHINI	-----	0.4KW 230V 50Hz	1	----	(1)									
36	EH1	Heater**	SHINI	-----	24KW 230V 50Hz	1	----	(1)									
A																	
B																	
C																	
D																	
Note: (1) Means not part of control box. / * means possible broken parts. ** means easy broken part. and spare backup is suggested. Please confirm the version of manual before placing the purchase order to guarantee that the item number of the spare part is in accordance with the real object.																	
Ver.D						Title		SCR-4.50U				Drawing No.		Scale		Page	
						Electrical Components List 2		SCR-450U-CE-230V-0-6				Standard		CE		Totally 6	
Mark		Before modification		After modification		Modify date		Designer		Version		Approved by		Veilage		Frequency	
						2015/04/22				0				230V		50HZ	

1 2 3 4 5 6 7 8

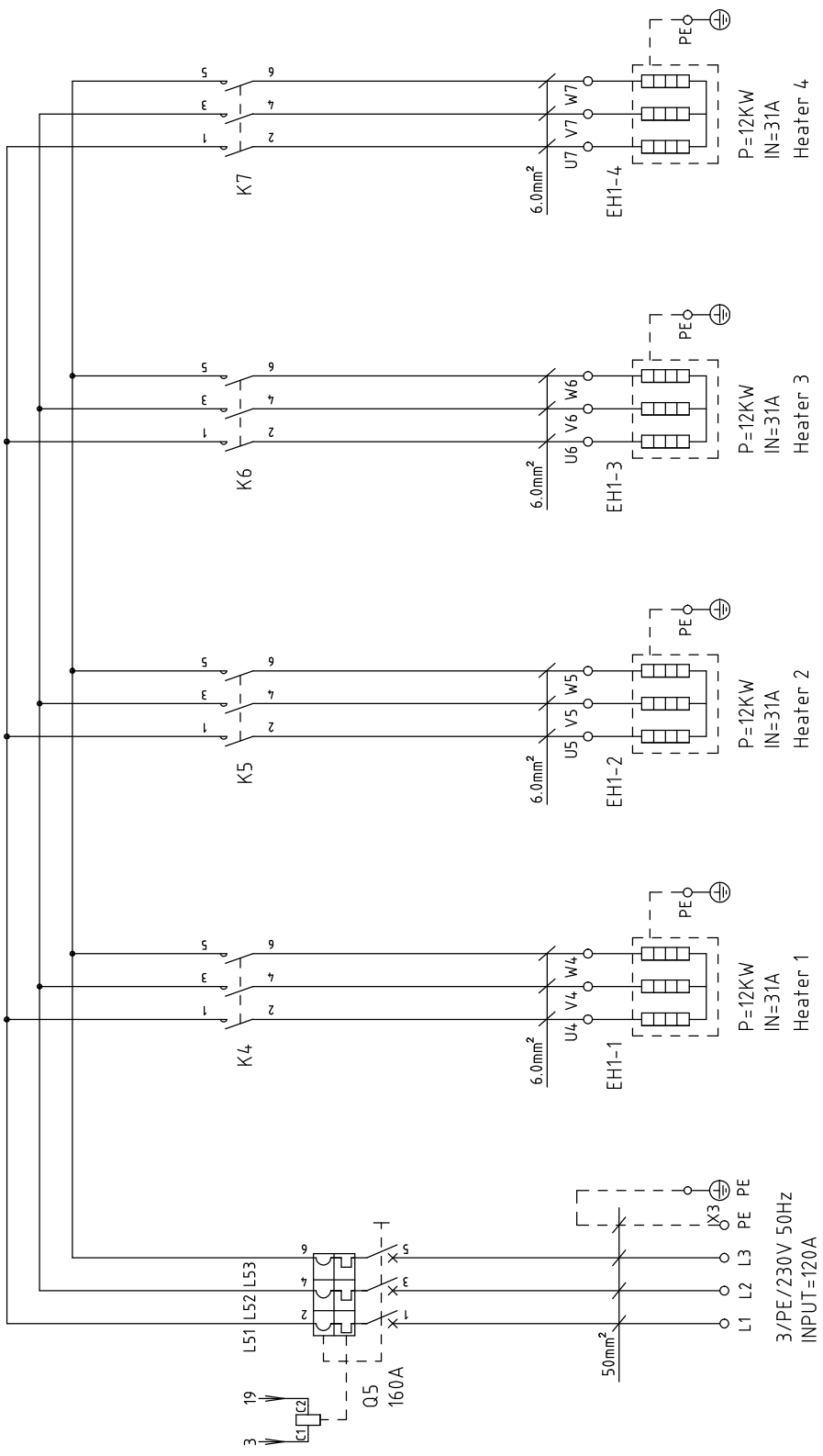


Ver.F

Drawing NO.		Page 1	
SCR-900U		Standard CE	
Main Circuit Diagram 1		Totally 7 Pages	
Title		Voltage	
SCR-900U-CE-230V-B-1		3Φ230V	
Version		Frequency	
B		50Hz	
Approved by	Date	SHINI	
	20200902	信易電熱機械股份有限公司	
Checked by	Modified by	Shini Plastics Technologies, Inc.	
Modified date			
Mark	Before modification		
	After modification		

1 2 3 4 5 6 7 8

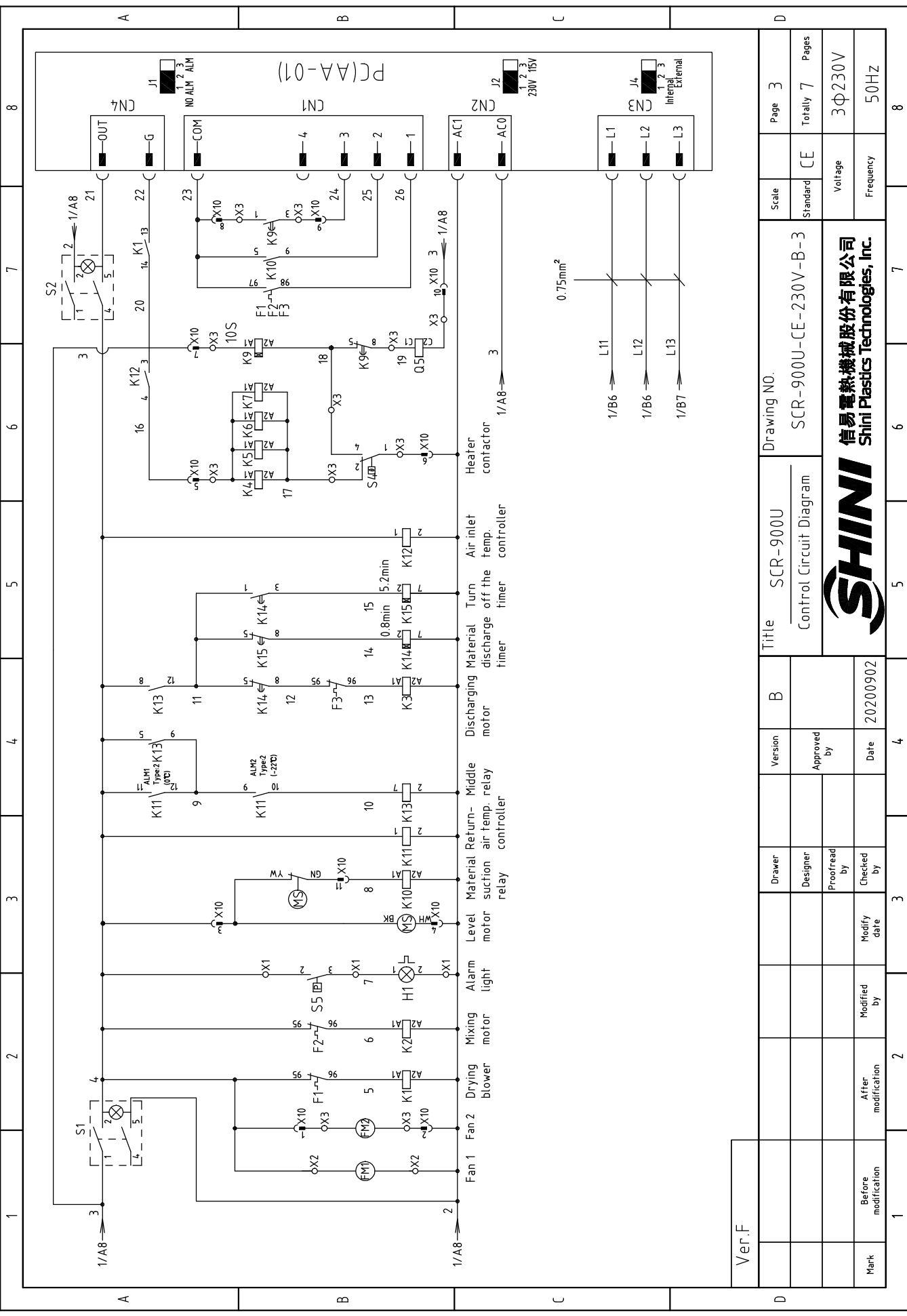
1 2 3 4 5 6 7 8




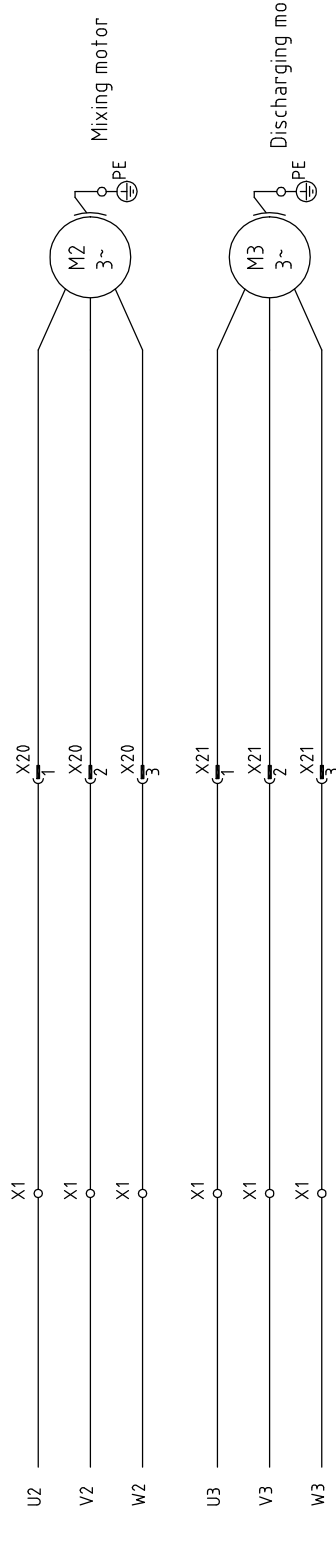
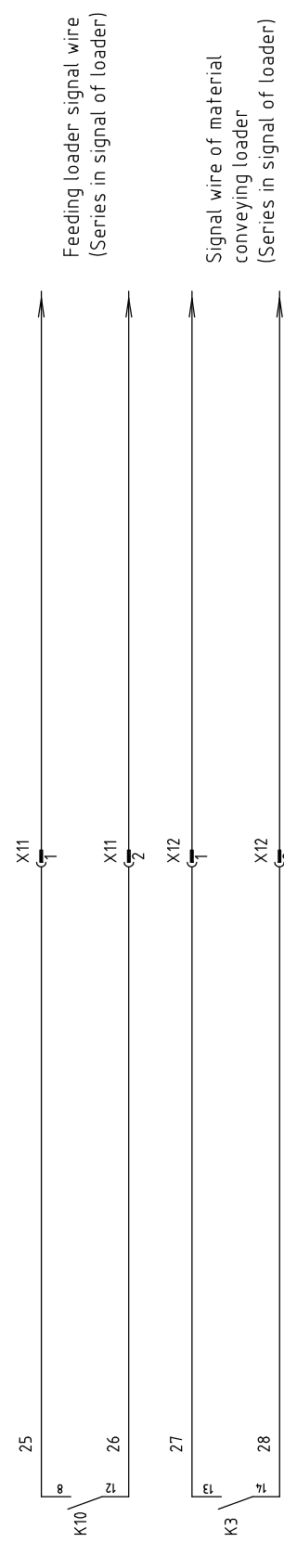
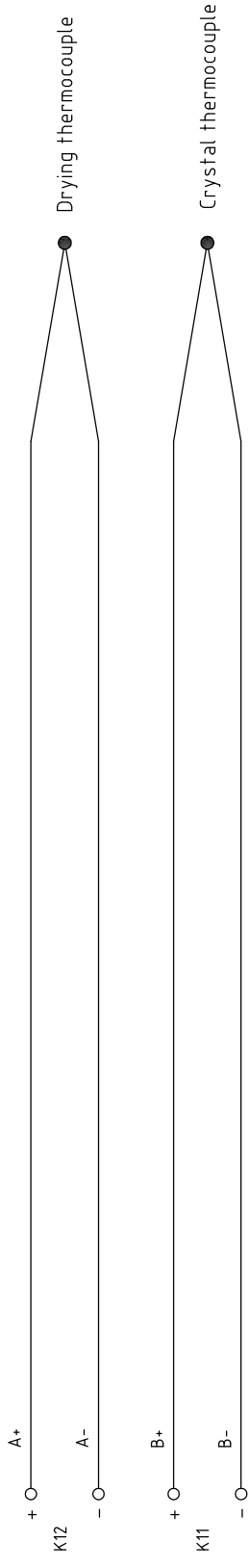
Ver.F

Mark	Before modification	Modified by	Modify date	Checked by	Date	20200902	Approved by	Version	B	Title	Drawing NO.		Scale	Page
	After modification										SCR-900U	SCR-900U-CE-230V-B-2	Standard	CE
Ver.F														
<p><b>SHINI</b> 信易電熱機械股份有限公司 Shini Plastics Technologies, Inc.</p>											Voltage	3Φ230V		
											Frequency	50Hz		

1 2 3 4 5 6 7 8



Ver.F	Title		Drawing NO.		Scale	Page 3
	SCR-900U		SCR-900U-CE-230V-B-3		Standard	Totally 7 Pages
Control Circuit Diagram			Voltage		3Φ230V	
Frequency			Frequency		50HZ	
 <b>信易電熱機械股份有限公司</b> <b>Shini Plastics Technologies, Inc.</b>			Date		20200902	
Mark	Before modification	Modified by	Checked by	Approved by	Version	B
After modification	Modify date	Proofread by	Designer	Drawer	Version	B



Ver.F	Title		Drawing NO.		Scale	Page
	SCR-900U		SCR-900U-CE-230V-B-4		Standard	4
Crystalizer wiring diagram		SHINI		Voltage		Totally
SHINI		信易電熱機械股份有限公司		Frequency		7
20200902		SHINI		3Φ230V		8
Mark	Before modification	Modified by	Modify date	Checked by	Date	
					20200902	
Drawer	Designer	Proofread by	Checked by	Approved by	Date	
Version	B		Approved by		Date	
					20200902	



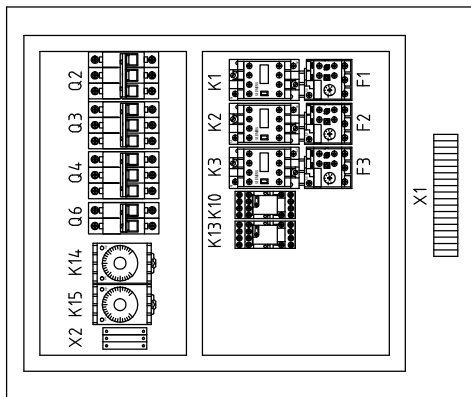
1 2 3 4 5 6 7 8

X10 16PIN Heavy-duty connector

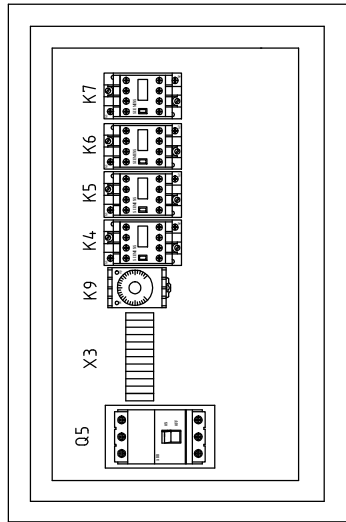
① 4	⑨ 24
② 2	⑩ 3
③ 4	⑪ 8
④ 2	⑫ 17
⑤ 16	⑬ 13
⑥ 2	⑭ 14
⑦ 3	⑮ 15
⑧ 23	⑯ 16

Subscript/Function	Description
1	4
2	2
3	4
4	2
5	16
6	2
7	3
8	23
9	24
10	3
11	8
12	
13	
14	
15	
16	

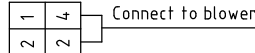
Control box bottom plate



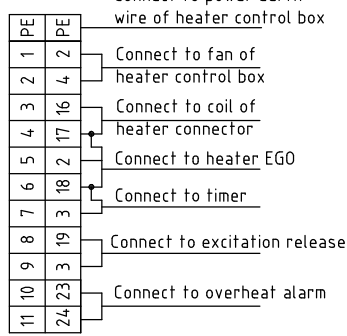
Heater control box



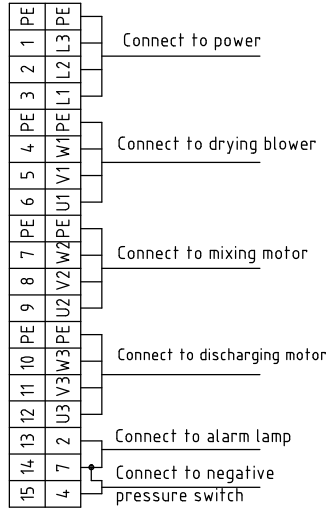
X2



X3



X1




Ver.F

Title	SCR-900U	Drawing NO.	SCR-900U-CE-230V-B-5	Scale	Page 5
	Electrical Components Layout		Standard	Totally 7	
Version	B	Approved by		Voltage	3Φ230V
Drawer		Proofread by		Frequency	50HZ
Designer		Checked by			
Modified by		Modify date			
After modification					
Before modification					
Mark					

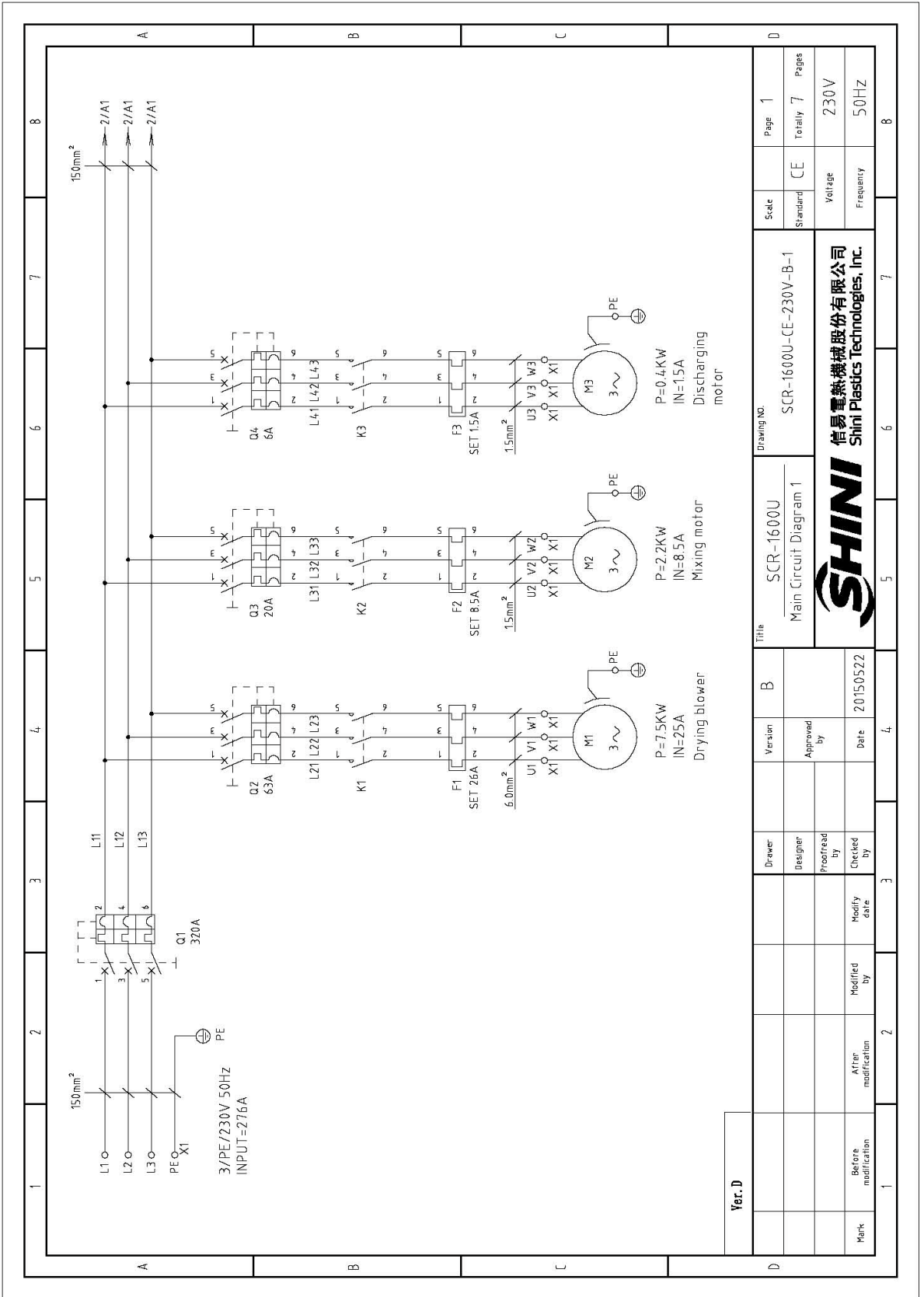


信易電熱機械股份有限公司  
Shini Plastics Technologies, Inc.

1 2 3 4 5 6 7 8

1		2		3		4		5		6		7		8			
NO.	Symbol	Name	Manufacturer	Type	Specification	Number	Material number	Remark									
1	Q1	Main power switch	EATON	P1-25/EA/SVB	25A	1	YE10125250000										
2	Q2	Circuit breakers	TECO	BM-63C/3025S	25A	1	YE40302503000										
3	Q3	Circuit breakers	TECO	BM-63C/3016S	16A	1	YE40301603000										
4	Q4	Circuit breakers	TECO	BM-63C/3006S	6A	1	YE40300603000										
5	Q5	Break interlock	ABB	A2B250TMF160	160A	1	YE41161500000										
6		Excitation release	ABB	SOR-C	230VAC	1	YE40101600000										
7	Q6	Circuit breakers	TECO	BM-63C	3A	1	YE40200203000	New									
8	K1	Contactors	SIEMENS	3RT6018-1AN21	230V 50/60Hz	1	YE006018000000										
9	K2 K3	Contactors	SIEMENS	3RT6016-1AN21	230V 50/60Hz	2	YE00601621000										
10	K4 K5 K6 K7	Contactors	SIEMENS	3RT6028-1AN20	230V 50/60Hz	4	YE00602822000										
11	K9	Timer relay	YUYUN	TH3M-NAB	3S~60M 230VAC	1	YE86300300000										
12	K10 K13	Middle relay	WEIDMULLER	DRM270730L T	230V 50/60Hz	2	YE03270700000										
13	K11 K12	Temperature controller	OMRON	E5EC-RR2ASM-800(Dual stage)	100-240V 50/60Hz	2	YE85005000000										
14	K14 K15	Timer relay	YUYUN	TH3M-NAB	3S~60M 230VAC	2	YE86300300000										
15	F1	Overload relay	SIEMENS	3RU6116-4AB0	11-16A	1	YE01611640000										
16	F2	Overload relay	SIEMENS	3RU6116-1HB0	5.5-8A	1	YE01605500000										
17	F3	Overload relay	SIEMENS	3RU6116-1BB0	1.4-2A	1	YE01601400000										
18	PC	PCB	YUYUN	AA-01	230V 50/60Hz	1	YE80000100000										
19	S1 S2	Alternative switch	REAB	R210-C5LBW	4P WH	2	YE10210400000										
20	MS	Level motor	SIPAI	SR-80-T	250VAC	1	----	(1)									
21	S4	Overheat protector	EGO	----	250V 5A	1	----	(1)									
22	S5	Negative pressure switch	----	----	----	1	----	(1)									
23	S6 S7	Thermocouple	SHINI	----	K	2	----	(1)									
24	FM1 FM2	Fan	SUNON	DP200A	230V 50/60Hz	2	----	(1)									
25	H1	Alarm lamp	SHINI	SWL-R-AC	230VAC 50HZ	1	YE83305100200	(1) New									
Ver.F																	
Note: (1) Means not part of control box.																	
				Title		SCR-900U		Drawing NO.		SCR-900U-CE-230V-B-6		Scale		Page 6			
				Electrical Components List 1						CE		Standard		Totally 7 Pages			
				 <b>SHINI</b> 信易電熱機械股份有限公司 Shini Plastics Technologies, Inc.						Voltage		3Φ230V					
Mark						Before modification		Modified by		Modify date		Frequency		50HZ			
						20200902											

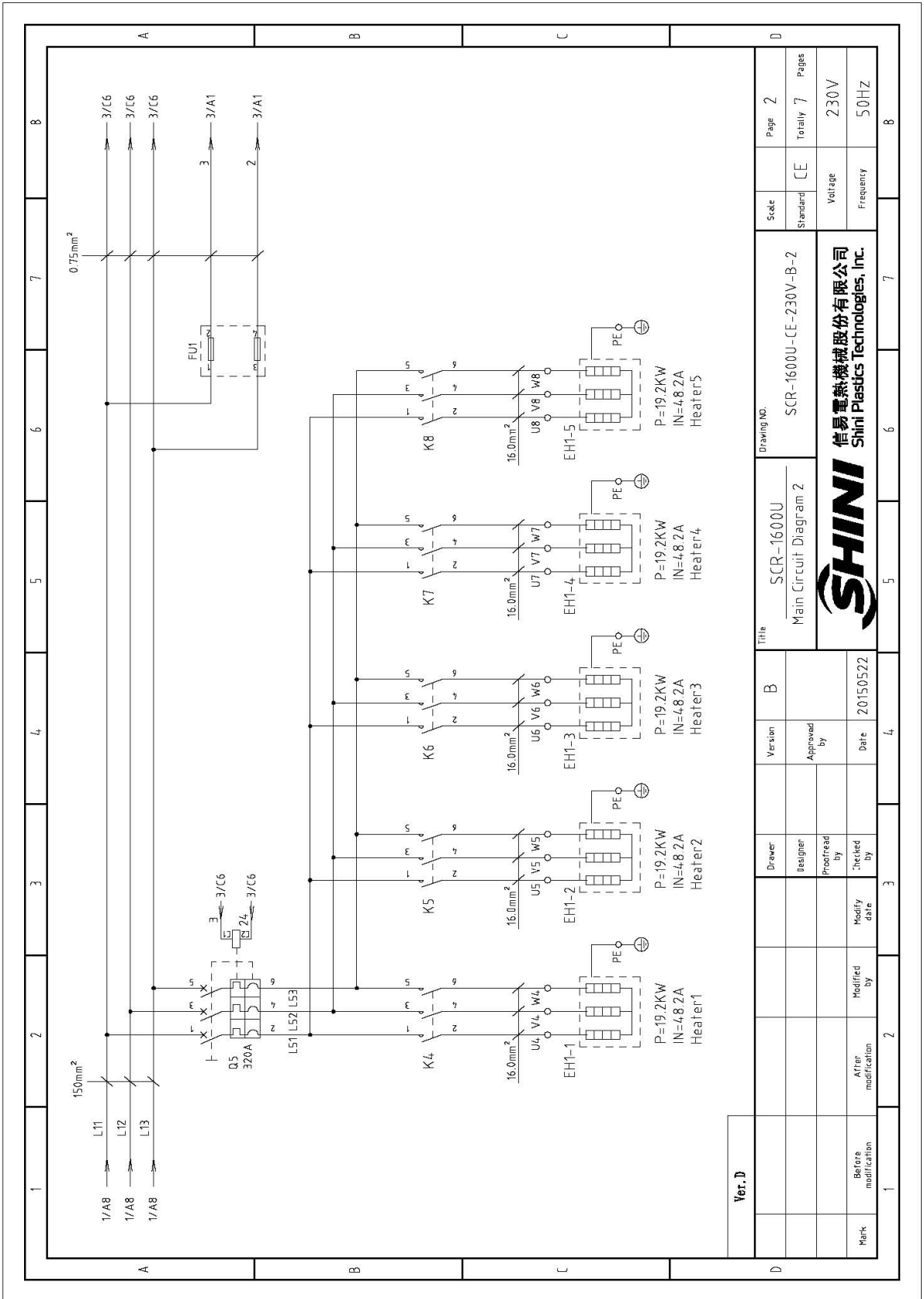
1		2		3		4		5		6		7		8	
NO.	Symbol	Name	Manufacturer	Type	Specification	Number	Material number	Remark							
26	X1 X2 X3	Terminal board	HONEYWELL	SK4	4.0mm <sup>2</sup>	12	YE60000403200								
27		Terminal board	HONEYWELL	GK5PE	4.0mm <sup>2</sup> PE	4	YE60000403500								
28		Terminal board	HONEYWELL	SK2.5	2.5mm <sup>2</sup>	16	YE60002503200								
29		Terminal board	HONEYWELL	GK35PE	35mm <sup>2</sup> PE	1	YE60003503500								
30	X10	Heavy duty connector	HARTING	16P+PE(Common socket+Female)Han	E-16M/F(Haoqing)without PG21	1	YE68001601300	(1) New							
31	X11 X12	Metal connector	----	DF25	3FR	2	YE68025300200	(1)							
32		Metal connector	----	DF25	3FP	2	YE68025300100	(1) New							
33	X20 X21	Waterproof connectors	CEE	RS-314/16A-6H	380-415V 4 hole/3phase	2	YE63314-100000	(1)							
34	M1	Blower	SHINI	-----	3.7KW 400V 50Hz	1	-----	(1) New							
35	M2	Motor	SHINI	-----	1.5KW 230V 50Hz	1	-----	(1)							
36	M3	Motor	SHINI	-----	0.4KW 230V 50Hz	1	-----	(1)							
37	EH1-EH4	Heater	SHINI	-----	12KW 230V 50Hz	4	-----	(1)							
Ver.F															
Note: (1) Means not part of control box.															
D		Title		SCR-900U		Drawing NO.		Scale		Page 7		Standard		CE	
		Electrical Components List 2		SCR-900U-CE-230V-B-7				Voltage		3Φ230V		Frequency		50Hz	
Mark		Before modification		Modified by		Modify date		Checked by		Date		20200902			
		After modification		Modified by		Modify date		Checked by		Date		20200902			
		Proofread by		Approved by		Version		B		Electrical Components List 2		SHINI		信易電熱機械股份有限公司 Shini Plastics Technologies, Inc.	
		Designer		Version		B		Electrical Components List 2		SHINI		信易電熱機械股份有限公司 Shini Plastics Technologies, Inc.			
		Drawer		Version		B		Electrical Components List 2		SHINI		信易電熱機械股份有限公司 Shini Plastics Technologies, Inc.			
		Title		SCR-900U		Drawing NO.		Scale		Page 7		Standard		CE	
		Electrical Components List 2		SCR-900U-CE-230V-B-7				Voltage		3Φ230V		Frequency		50Hz	
		Proofread by		Approved by		Version		B		Electrical Components List 2		SHINI		信易電熱機械股份有限公司 Shini Plastics Technologies, Inc.	
		Designer		Version		B		Electrical Components List 2		SHINI		信易電熱機械股份有限公司 Shini Plastics Technologies, Inc.			
		Drawer		Version		B		Electrical Components List 2		SHINI		信易電熱機械股份有限公司 Shini Plastics Technologies, Inc.			



Ver. D

Mark	Before modification	Modified by	Modify date	Checked by	Date	Approved by	Version	B	Title	Drawing No.	Scale	Page 1
	After modification										Standard	Totally 7
										CE		Pages
										Voltage		230V
										Frequency		50Hz

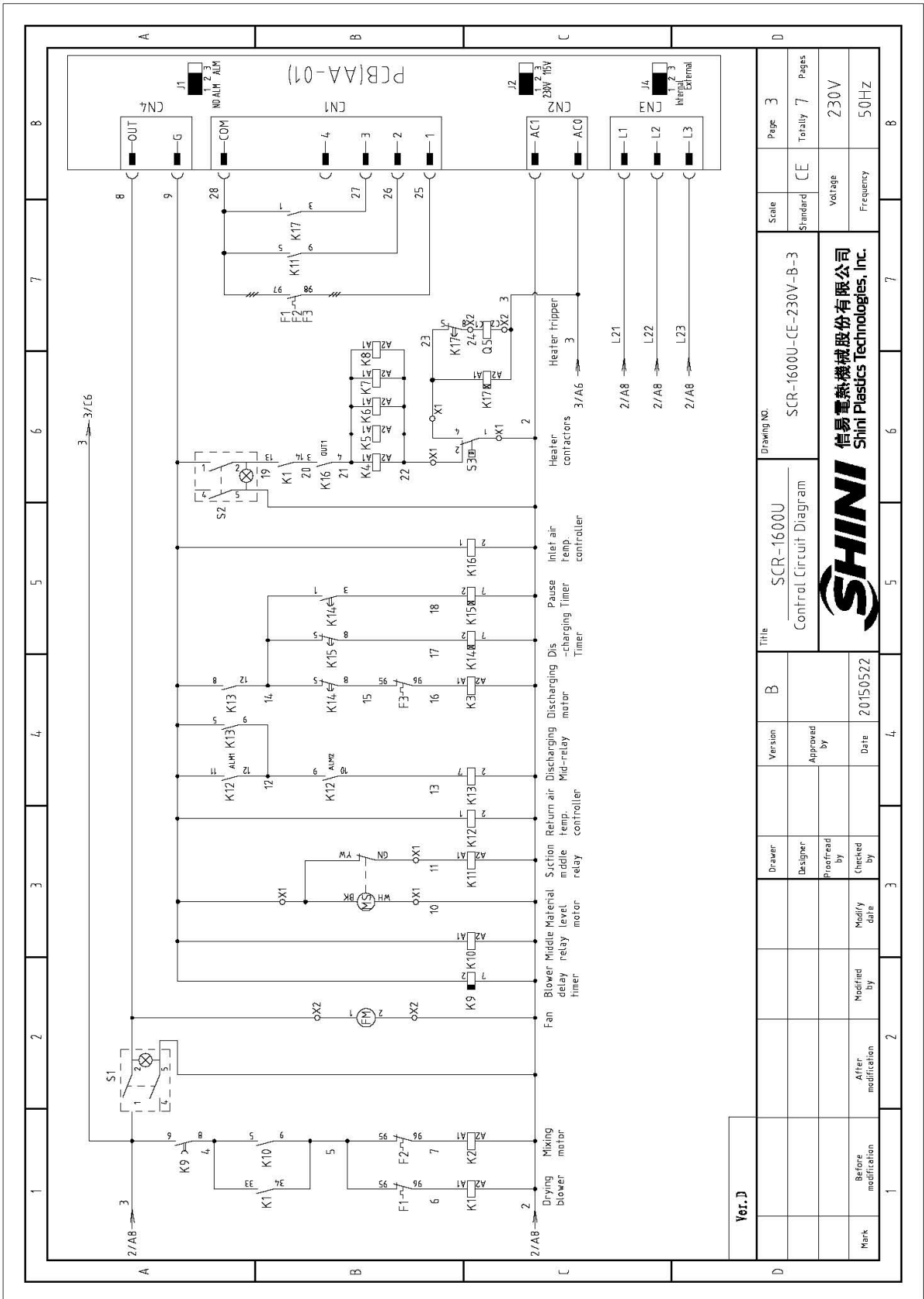
**SHINI**  
信易電熱機械股份有限公司  
Shini Plastics Technologies, Inc.



Ver. D

Mark	Before modification	After modification	Modified by	Modify date	Date	20150522	Approved by	Version	B	Title	Drawing No.		Page	2	
											SCR-1600U-CE-230V-B-2				Standard
												Scale	CE	Voltage	230V
												Standard	CE		

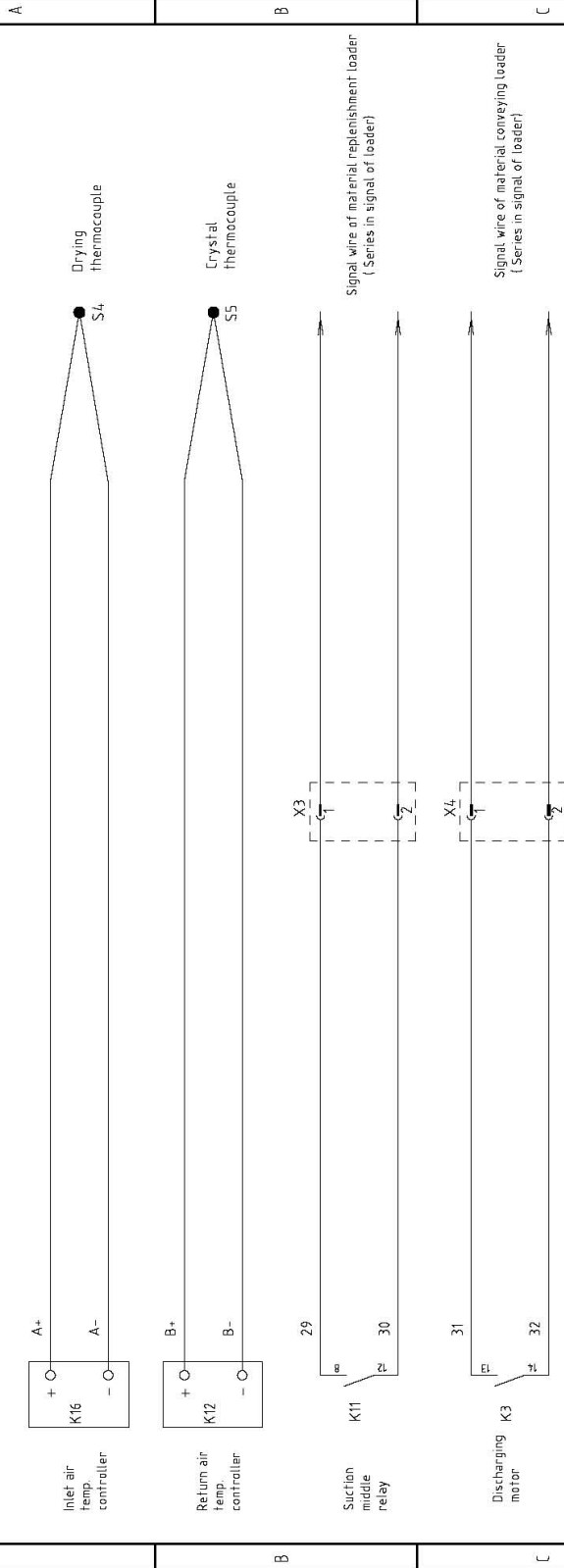
**SHINI** 信易電熱機械股份有限公司  
Shini Plastics Technologies, Inc.



Ver. D

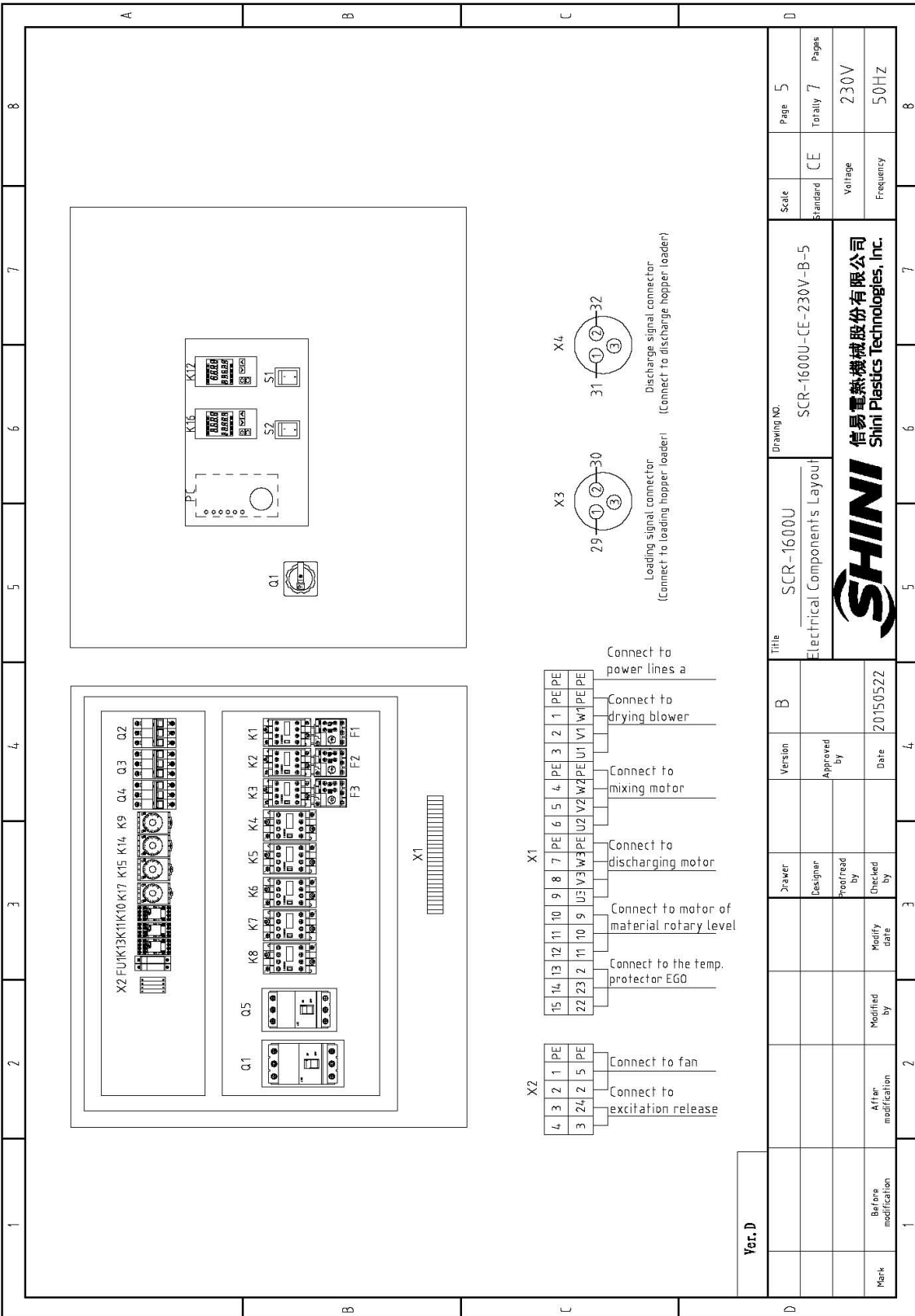
Title	SCR-1600U		Drawing No.	SCR-1600U-CE-230V-B-3		Scale	Page	3					
	Control Circuit Diagram			Standard	CE		Totally	7	Pages				
Mark	Before modification	After modification	Modified by	Modify date	Checked by	Proofread by	Designer	Version	B	Title	SCR-1600U-CE-230V-B-3	Voltage	230V
													Date





<b>Ver. D</b>		Title		Drawing No.		Scale	Page
		SCR-1600U		SCR-1600U-CE-230V-B-4		Standard	4
		Crystalizer wiring diagram				CE	Totally 7
						Voltage	230V
						Frequency	50HZ
		Version		Date			
		Approved by		20150522			
		Designer					
		Proofread by					
		Checked by					
		Modify date					
		Modified by					
		After modification					
		Before modification					
Mark							





Ver. D		Scale	Page
	Standard	CE	5
		Standard	Totally 7
		Voltage	230V
		Frequency	50Hz

Title		Drawing NO.	
SCR-1600U	Electrical Components Layout	SCR-1600U-CE-230V-B-5	
SHINI		信昌電熱機械股份有限公司 Shini Plasstics Technologies, Inc.	
Mark	Before modification	Modified by	Modify date
	After modification	Checked by	Date
		20150522	



1	2	3	4	5	6	7	8	
No.	Symbol	Name	Manufacturer	Type	Specification	Number	Material number	Remark
1	Q1	Breaker interlock	ABB	A3N4-00TME320/32003PFF	320A	1	YE415034.00000	
2	Q2	Circuit breakers	TECO	BM-63C/3063S	63A	1	YE40306303000	
3	Q3	Circuit breakers	TECO	BM-63C/3020S	20A	1	YE40302003000	
4	Q4	Circuit breakers	TECO	BM-63C/3006S	6A	1	YE40300603000	
5	Q5	Breaker interlock	ABB	A3N4-00TME320/32003PFF	320A	1	YE415034.00000	
6		Excitation release	ABB	SOR-C	230VAC	1	YE40121600000	
7	K1	Contactors	SIEMENS	3RT6027-1AN20	230V 50/60Hz	1	YE00602722000	
8	K2	Contactors	SIEMENS	3RT6016-1AN21	230V 50/60Hz	1	YE00601621000	
9	K3	Contactors	SIEMENS	3RT6016-1AN21	230V 50/60Hz	1	YE00601621000	
10	K4 K5 K6 K7 K8	Contactors	SIEMENS	3RT5036-1AN20	230V 50/60Hz	5	YE00503600000	
11	K9	Timer relay	YUYUN	TRF-N 3M	230VAC	1	YE86322000000	
12	K10 K11 K13	Middle relay	WEIDMULLER	DRM270730LT	230V 50/60Hz	3	YE03270700000	
13	K12 K16	Temperature controller	OMRON	E5EC-RR2ASM-800(承載)	100-240V 50/60Hz	2	YE85005000000	
14	K14 K15 K17	Timer relay	YUYUN	TH3M-NAB	3S-60M 230VAC	3	YE86300300000	
15	F1	Overload relay	SIEMENS	3RU6126-4NB0	23-28A	1	YE01612620000	
16	F2	Overload relay	SIEMENS	3RU6116-1JB0	7-10A	1	YE01167100000	
17	F3	Overload relay	SIEMENS	3RU6116-1AB0	1.1-1.6A	1	YE01160110000	
18	FU1	Fuse**	CHNT	32A/2P	----	1	YE41032200000	
19		Fuse	CHNT	10x38 500V	1A	2	YE41001000000	
20	PCB	PCB	YUYUN	AA-01	230V 50/60Hz	1	YE80000100000	
21	S1 S2	Alternative switch	----	T120-55	4P WH	2	YE102104.00000	
22	S3	Thermal protector	TONGBAO	ZA300	250V 5A	1	----	(1)
23	S4 S5	Thermocouple	SHINI	----	K	2	----	(1)
24	FM	Fan	SUNON	DP200A	230V 50/60Hz	1	----	(1)
25	MS	Material level motor	SIPAI	SR-80-T	250VAC	1	YE15000200000	(1)
<b>Ver. D</b> Note: (1) Means not part of control box * means possible broken parts. ** means easy broken part. and spare backup is suggested								
			Title SCR-1600U Electrical Components List 1		Drawing No. SCR-1600U-CE-230V-B-6		Scale Standard	
			Version B		Approved by		Page 6	
			Designer		Proofread by		Totaly 7 Pages	
			Checked by		Date 20150522		Voltage CE	
			Modified by		Modify date		Frequency 230V	
			After modification		20150522		50Hz	
			1		2		3	
			4		5		6	
			7		8		9	

