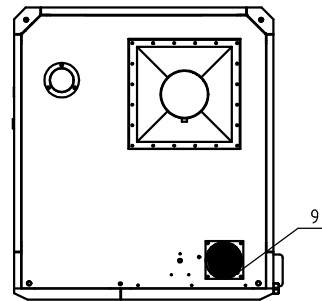
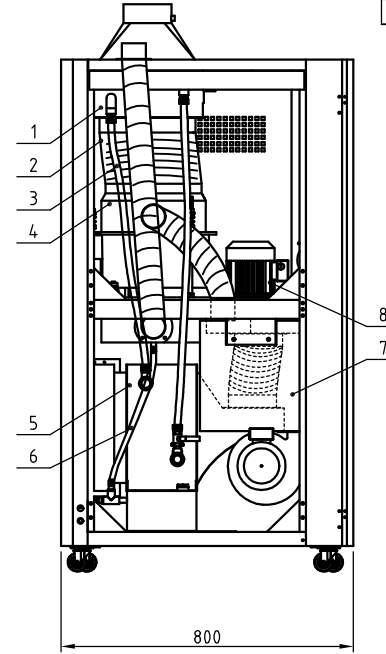
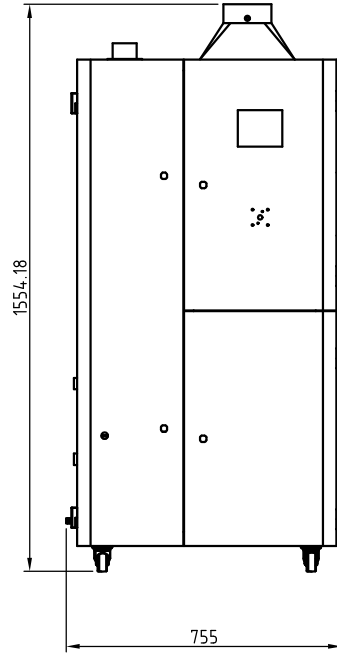
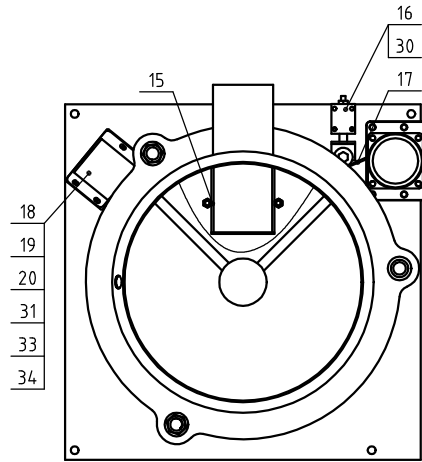
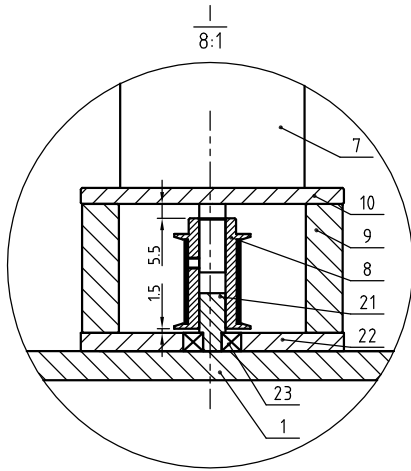
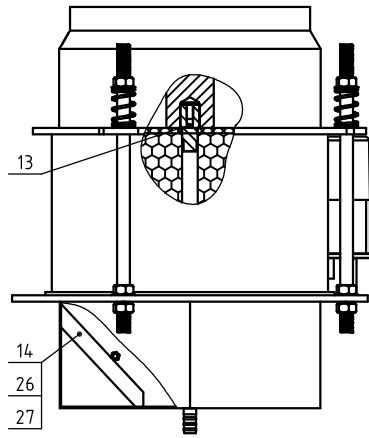
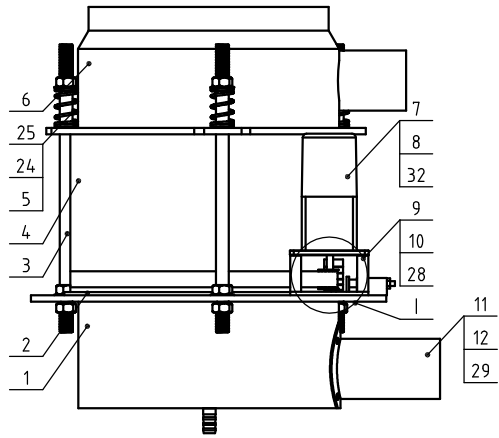


regen. blower power	drying blower power	regen. heater power	dehumidifying air flow	Version No.
0.37KW	0.55KW	6KW	500m ³ /hr	Ver. A
Cooler inlet and outlet size		Cooling water pressure	Cooling water flow	Cooling water temp.
1"PT (Female thread)		1~5Kg	≥44L/min	7℃



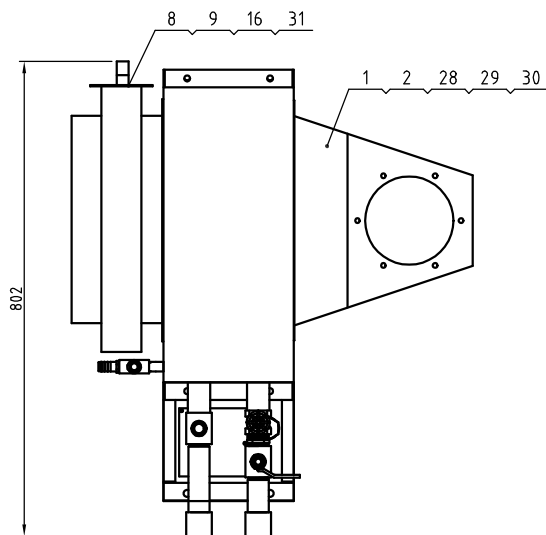
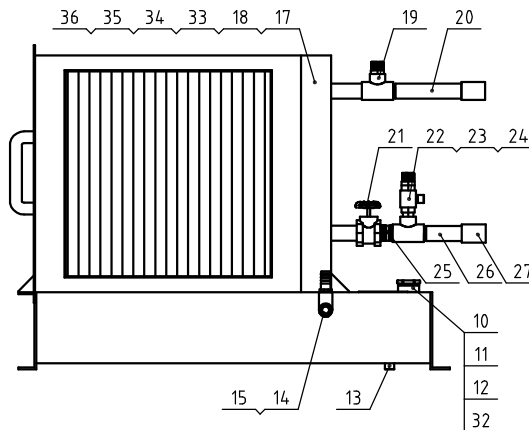
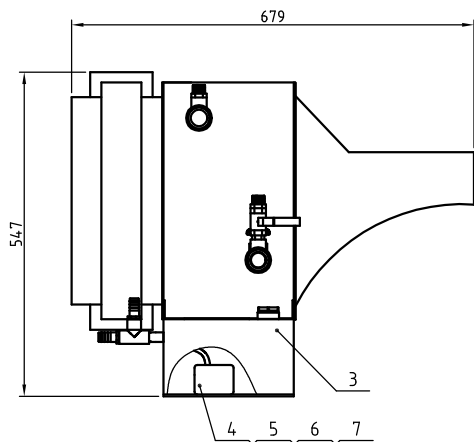
9	YM601212064.00	Exhaust fan 12-12CH/24 VAC 50/60HZ with plastic screen	Assembly	1	
8	YM30000500300	Multi-blade centrifugal fan DF-5	Assembly	1	
7	SMD-500H-D-ALL	Heating tank	Assembly	1	
6	YR60161604.000	Pressure resistant MAX-1/6 inner dia. 16mm pressure resistant (4bar/Hanguo Sanshan brand)	Assembly	1	L=1M
5	SMD-500H-C-ALL	Cooler assembly	Assembly	1	
4	SMD-500H-B-ALL	Honeycomb assembly	Assembly	1	
3	YR60252500000	Pressure resistant MAX-25 inner dia. 25mm pressure resistant 25bar (Hanguo Sanshan brand)	Assembly	1	L=2.2M
2	YW90310300000	Sandwich type air pipe Ø310×23CHSMD-500H-ALL-04)	Assembly	1	
1	YW88100000600	Cooler 2 SMD-500H-ALL-01	Assembly	1	
No.	Material No.	Name	Mat.	Num.	Remarks

					制图	版号	SMD-500H	图号	比例 1:15	数量 1
					设计	核准	模具除湿机	SMD-500H-ALL		材质
					校对			信易电热机械股份有限公司 Shini Plastics Technologies, Inc.	表面要求	
标记	更改前	更改后	更改人	日期	审核	日期			物料号	BP33500300700



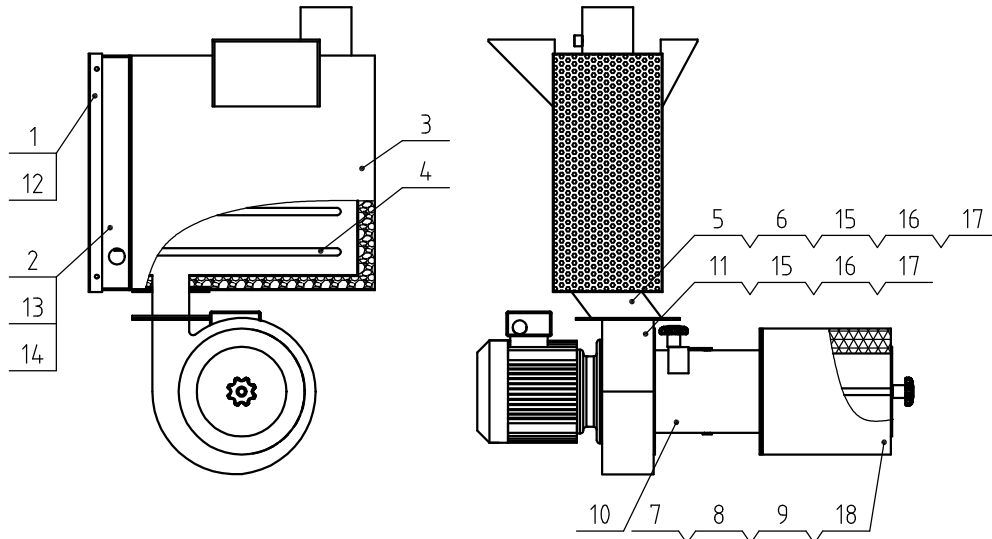
34	YW63032500000	Cross socket pan head screw GB/T-818 M3x25-Longzine		2	
33	YW63040600000	Cross socket pan head screw GB/T-818 M4x6-Longzine		3	
32	YW61068200000	Inner hex. cylindrical screw GB/T170.1 M6x85-A2-70(SUS)		4	
31	YW68004500000	Inner hex. flat head lock screw GB/T777 M4x5-Longzine		3	
30	YW63044500000	Cross socket pan head screw GB/T-818 M4x45-Longzine		2	
29	YW62051500000	Large cross socket flat head screw JIS1111 M6x6-Longzine		4	
28	YW64000600300	Hex. nut GB/T6170 M6-Longzine		4	
27	YW66061300000	Flat washer A grade GB/T97.16-Longzine		12	
26	YW60061500100	Hex. bolt GB/T5783 M6x16-12.9-Longzine		4	
25	YW64001600000	Hex. nut GB/T6170 M16-Longzine		9	
24	YW66163000000	Flat washer A grade GB/T97.16-Longzine		12	
23	YW11062700000	Bearing 6272ZMK3E	Assembly	1	
22	BH33702200010	Gear motor fixed plate 2 SD-700H-B-22	6061	1	
21	BH33702300010	Fixed shaft SD-700H-B-23	SUS201	1	
20	BL04402200020	Micro switch fixed plate	SUS201	1	
19	YE14511200000	Limit switch YBLXW-5/11G2	Assembly	1	
18	YR40330900000	Micro switch box	ABS	1	
17	YR00304700000	Synchronous belt 470XL	Rubber	1	
16	SD-400H-A-40	Belt regulator	Assembly	1	
15	SMD-500H-B-05	Regen. cooling plate	SUS201	1	
14	SMD-500H-B-03	Drying cooling plate	SUS201	1	
13	BH10020003110	Honeycomb mount shaft SD-200H-A-31	45	2	
12	SMD-500H-B-06	Air inlet pipe sealing pad	white silica gel	1	
11	SMD-500H-B-04	Lower cover air inlet pipe	welding parts	1	
10	BH13040003810	Gear motor mount plate SD-400H-A-38	AL	1	
9	BH10070001510	Positioning pipe SD-400H-A-37(ver.B)	AL6061	4	
8	YW08001400000	Synchronous wheel	45	1	
7	YM50512600000	Gear motor 3GN-10XK/3GN-60K/3K15GN-C-T	Assembly	1	
6	SMD-500H-B-02	Honeycomb upper cover	welding parts	1	
5	YW01201800000	Spring wire dia. 2.0x inner dia.18xL80mm distance 8	70	3	
4	YW71352000800	Honeycomb SMD-500H-B-08	full silica gel	1	
3	BH10533000010	Double-head screw SD-40H-B-07	SUS200	3	
2	SMD-500H-B-07	Silicone Teflon gasket	Teflon + red silica gel	2	
1	SMD-500H-B-01	Honeycomb lower cover	welding parts	1	
No.	Material No.	Name	Mat.	Num.	Remarks

					制图	版号	标题	SMD-500H	图号	SMD-500H-B-ALL	比例	1:6	数量	1
					设计	核准	蜂巢组件				⊕	材质		
					校对						表面要求			
标记	更改前	更改后	更改人	日期	审核	日期					物料号			
									信易电热机械股份有限公司 Shini Plastics Technologies, Inc.					



36	YW6010250000	Hex. bolt GB/T5783 M10x25-12.9-Longzine		4	
35	YW66102000100	Flat washer A grade GB/T97.1 10(11x20x2)-Longzine		6	
34	YW65010000000	Standard spring washer GB/T93 10-Longzine		4	
33	YW64001000100	Hex. nut GB/T6170 M10-Longzine		2	
32	YW63040600000	Cross recessed pan head screw GB/T-818 M4x6-Longzine		2	
31	YW62061000000	Large cross socket flat head screw JIS111 M6x10-Longzine		1	
30	YW60061500100	Hex. bolt GB/T5783 M6x16-12.9-Longzine		40	
29	YW65006000100	Standard spring washer GB/T93 6-Longzine		40	
28	YW66061300000	Flat washer A grade GB/T97.1 6-Longzine		40	
27	YW51000100000	Galvanized water pipe direct connector 1"		2	
26	SMD-500H-C-10	1" PT pipe both-end male thread 1		1	
25	YW50000100000	Galvanized water pipe inner connector 1"(male thread)		1	
24	BH12030401510	Copper insert 3/4"PTxφ25(S-124)		2	
23	YW50030400000	Copper ball valve 3/4"		1	
22	YW50003400600	Galvanized water pipe inner connector 3/4"(male thread)		1	
21	YW50000101000	Sluice valve 1"		1	
20	SMD-500H-C-09	1" PT pipe both-end male thread		1	
19	YW52013400100	Galvanized water pipe diameter varied 3-way 1"x3/4"		2	
18	SMD-500H-C-05	Cooler washer	EVA	1	
17	SMD-500H-C-06	Cooler 1 SMD-500H-C-06	Assembly	1	
16	SMD-1000H-C-08	Filter fender	SUS201	1	borrow
15	YW52100200000	Galvanized water pipe 3-way 1/2"		1	
14	BH12121600010	Copper insert 1/2"PTxφ16(S-133)		2	
13	YW80010200100	Plug 1/4"	SUS201	1	
12	SMD-500H-C-02	Water pump cover plate	SUS201	1	
11	YW59710100000	Float ball	Assembly	1	
10	BH12011000020	Copper coupler	H58	1	
9	YW90050000700	Filter core SMD-500H-C-07	Assembly	1	
8	SMD-500H-C-03	Filter cover	Welding parts	1	
7	YR60121000000	Air pipe φ12xφ8		0.02	
6	YW80120800500	Air pipe quick direct diameter varied connector APG12-8		1	
5	YM20245000100	Liquid level pump AC24V10W	Assembly	1	
4	YR60000800000	PU air pipe φ8 blue	PU	1	
3	SMD-500H-C-01	Dew tank	Welding parts	1	
2	SMD-500H-C-08	Air cover washer	EVA	2	
1	SMD-500H-C-04	Air cover	Welding parts	1	
No.	Material No.	Name	Mat.	Num.	Rem.

				制图	版号	标题	图号	比例	1:8	数量	1
				设计	核准	SMD-500H	SMD-500H-C-ALL	⊕		材质	
				校对		冷却器组件		表面要求		物料号	
标记	更改前	更改后	更改人	日期	审核	日期	SHINI 信易电热机械股份有限公司 Shini Plastics Technologies, Inc.				



18	YW62061000000	Large cross socket pan head screw JIS1111 M6x10-Longzine		4	
17	YW66081900000	Flat washer A grade GB/T97.1 8(9x16x1.6)- Longzine		16	
16	YW65008000100	Standard spring washer GB/T93 8-Longzine		12	
15	YW60082500100	Hex. bolt GB/T5783 M8x25-12.9-Longzine		12	
14	YW66061300000	Flat washer A grade GB/T97.16- Longzine		12	
13	YW62061500000	Large cross socket pan head screw JIS1111 M6x15-Longzine		12	
12	YW62051500000	Large cross socket pan head screw JIS1111 M5x15-Longzine		4	
11	YM30000600000	Multi-blade centrifugal blower DF-6	Assembly	1	0.37KW
10	SMD-1000H-D-13	Air adjusting valve	Assembly	1	borrow
9	YW09675100000	Small star nut 5/16	Aluminum	2	
8	YR50181900000	Filter HAR ext. 188x inner 114/88xH191	Assembly	1	
7	SMD-500H-D-03	Filter fixed bracket	SPCC2.0	1	
6	SMD-500H-D-05	Sealing washer	EVA3.0	2	
5	SMD-500H-D-07	Large blower flange	SPCC	1	
4	BH70006300450	Pipe heater 6KW(SMD-500H-D-06)	Assembly	1	
3	SMD-500H-D-01	Heating case	Assembly	1	
2	SMD-500H-D-02	Pipe heater mount plate	SECC2.0	1	
1	SMD-500H-D-04	Heating tank cover plate	Q235A	1	
No.	Material No.	Name	Ma.f.	Num.	Rem.

					制图	版号	标题	图号	比例	1:10	数量	1
					设计	核准	SMD-500H 加热箱	SMD-500H-D-ALL			材质	
					校对		信易電熱機械股份有限公司 Shini Plastics Technologies, Inc.			表面要求		
标记	更改前	更改后	更改人	日期	审核	日期				物料号		