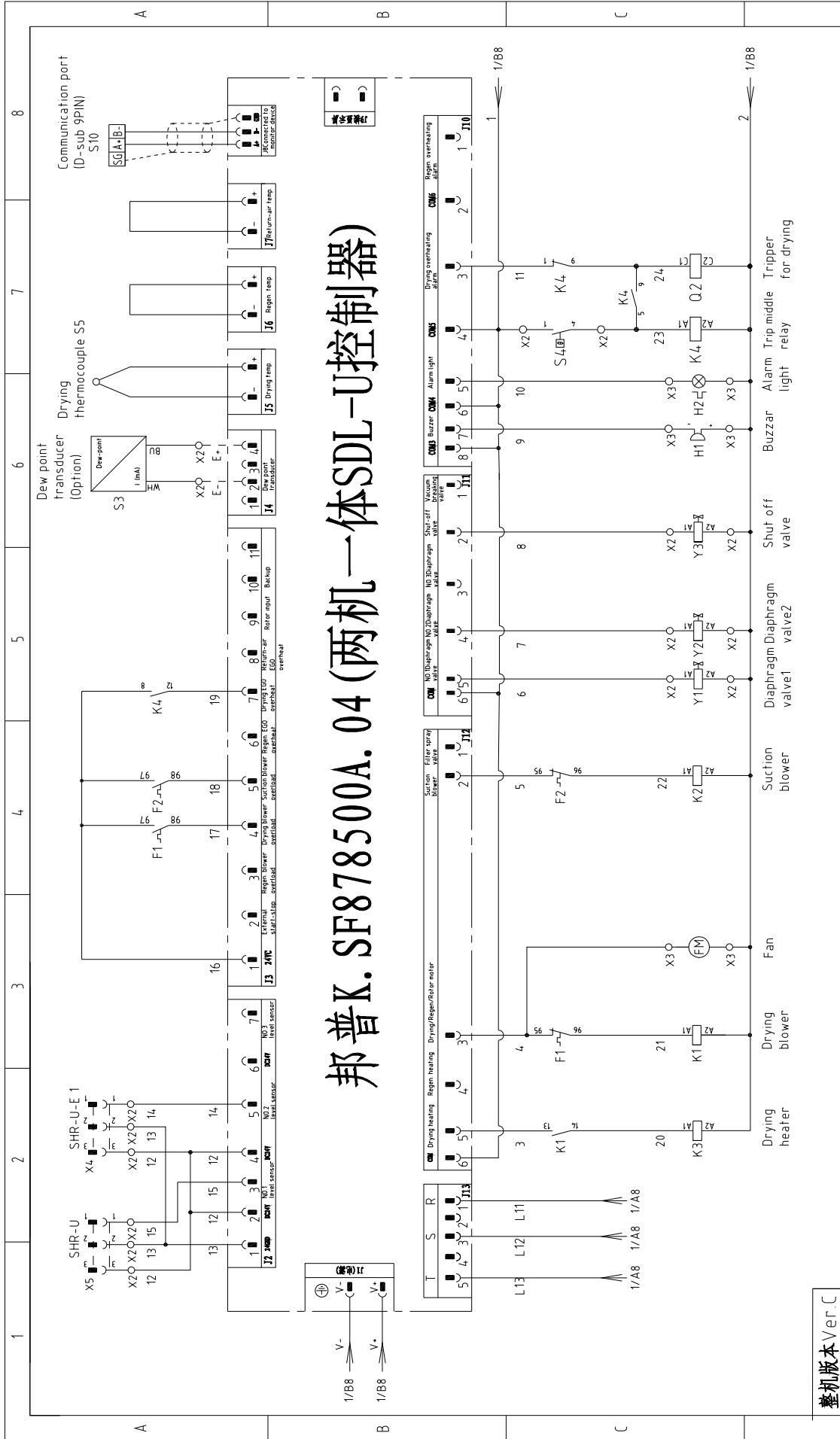


整机版本 Ver.C

D	Mark	Before modification	After modification	2	3	4	5	6	7	8
	Modified by									
	Modify date									
	Checked by									
	Proofread by									
	Designer									
	Drawer									
	Version	F								
	Title	SDL-40U Main Circuit Diagram								
	Drawing NO	SDL-40U-CE-400V-F-1								
	Scale	Standard	CE							
	Page	Page 1								
	Totally	5								
	Pages	400V								
	Frequency	50HZ								
	Voltage	400V								
	Frequency	50HZ								



邦普K.SF878500A.04 (两机一体SDL-U控制器)



整机版本 Ver.C

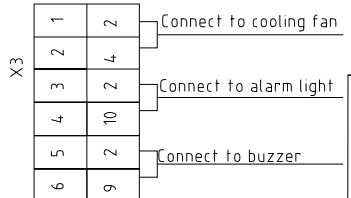
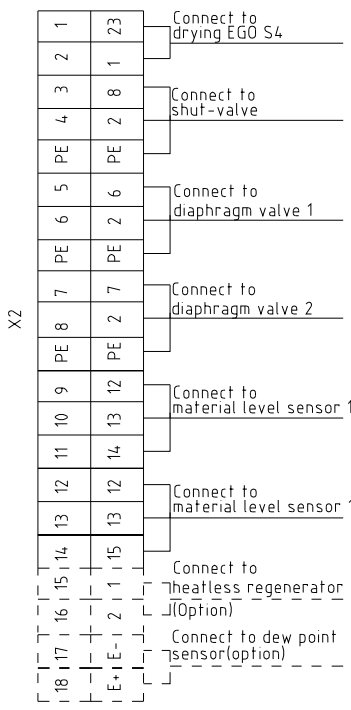
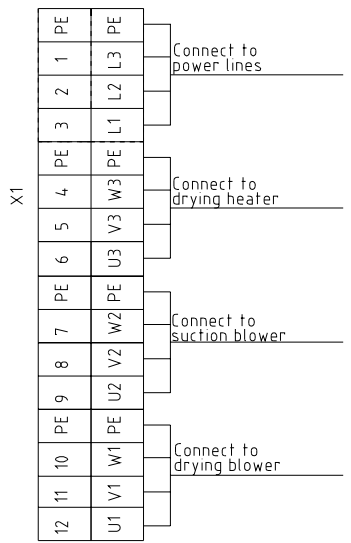
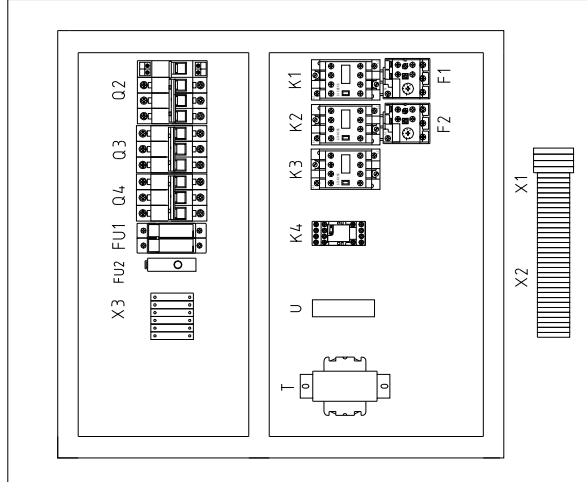
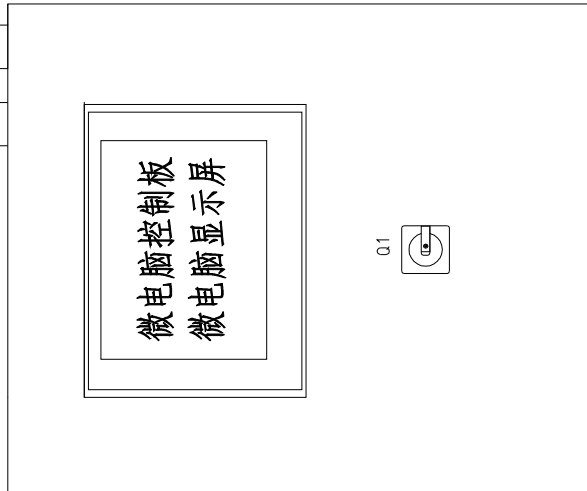
Drawing No		SDL-40U-CE-400V-F-2	
Title		SDL-40U Control Circuit Diagram	
Version	F	Scale	Standard
Designer	Approved by	Page 2	
Proofread by	Checked by	Totally 5 Pages	
Modified by	Modify date	Voltage 400V	
Mark	After modification	Frequency 50Hz	
1	2	3	4
5	6	7	8



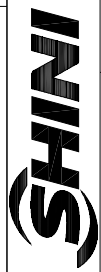
信易电热机械股份有限公司
Shini Plastics Technologies, Inc.

1 2 3 4 5 6 7 8

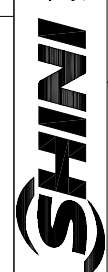
A B C D

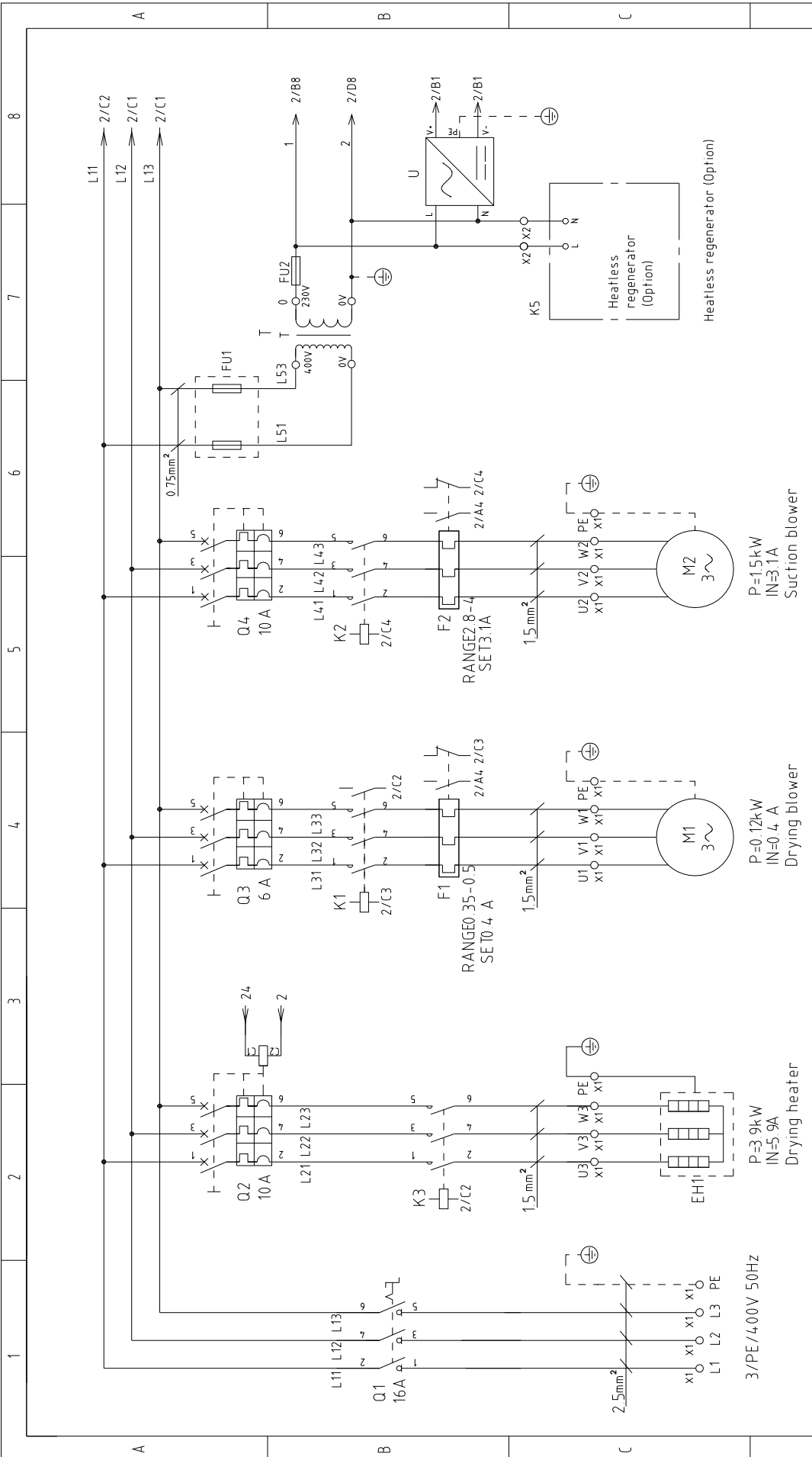


整机版本 Ver.C

Drawing NO	SDL-40U-		Scale	Page
	CE-400V-F-3		Standard	Totally
Title	SDL-40U		Electrical Components Layout	3
Version	F	Approved by	CE	5
Drawer	Designer	Proofread by	Voltage	400V
Checked by	20170830	Date	Frequency	50HZ
Modified by	Modify date	After modification	 信易电热机械股份有限公司 Shini Plastics Technologies, Inc.	
Mark	Before modification	Modified by		

1 2 3 4 5 6 7 8

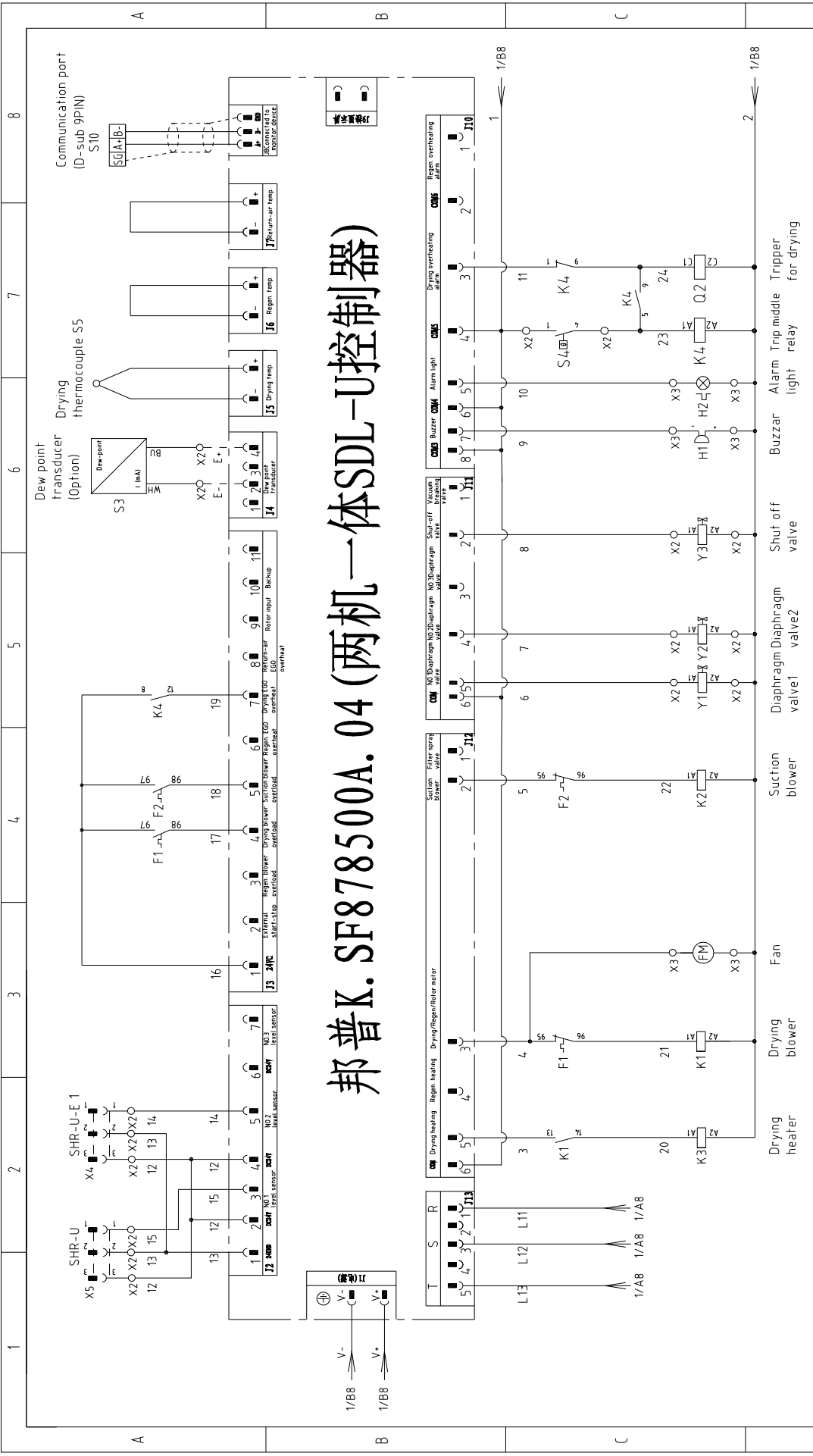
1		2		3		4		5		6		7		8	
No	Symbol	Name	Manufacturer	Type	Specification	Number	Material number	Remark							
1	Q1	Main switch	EATON	T0-2-1/EA/SVB	16A	1	YE10021160000								
2	Q2	Circuit-breaker	TECO	BM-63C/3006S	6A	1	YE40300603000								
3	Q3	Excitation release	TECO	MX	230V 50/60Hz	1	YE40023560000								
4	Q4	Circuit-breaker	TECO	BM-63C/3006S	6A	1	YE40300603000								
5	Q4	Circuit-breaker	TECO	BM-63C/3010S	10A	1	YE40301003000								
6	K1	Contact	SIEMENS	3RT6015-1ANZ1	7A 220V 50/60Hz	1	YE00601521000								
7	K2	Contact	SIEMENS	3RT6016-1ANZ1	9A 220V 50/60Hz	1	YE00601621000								
8	K3	Contact	SIEMENS	3RT6016-1ANZ1	9A 220V 50/60Hz	1	YE00601621000								
9	K4	Middle relay	WEIDMULLER	DRM270730LT	230V 50/60Hz	1	YE03270700000								
10	U	DC power	MEAN WELL	NES-35-24	OUT=DC24V 15A	1	YE71352400100								
11	T	Transformer	BAIYUN	BY-0407009	IN=400V OUT=230V 500mA	1	YE70402300800								
12	F1	Overload relay	SIEMENS	3RU6116-0FB0	0.35-0.5A	1	YE01161350000								
13	F2	Overload relay	SIEMENS	3RU6116-1EB0	2.8-4A	1	YE01160280000								
14	FU1	Fuse base	CHNT	RT28-32	2P	1	YE41032200000								
15		Fuse core	CHNT	10x38 500V	2A	2	YE46002000000								
16	FU2	Fuse	YINDA	FS-10	2A	1	YE41001000000								
17	S3	Dew-point transducer	CS	CS 217-0EM	POWER=24VDC OUT=4-20mA	1	-----	(1)(2)							
18	S4	Temperature protector	EGO	--	115-320°	1	-----	(1)							
19	S5	Thermocouple	SHINI	ST-K	K	1	-----	(1)							
20	PCB	SDL-U Controller	PUMP	K.SF878500A.04	-----	1	YE80878500300								
21	H1	Buzzer	HITPOINT	PK-35A	220V AC/DC	1	YE84003500200								
22	H2	Alarm indicator	SHINI	LED-3051	230VAC 50Hz	1	YE83305100200	(1)							
23	FM	Fan	SUNON	DP-200A	230VAC 40W	1	-----	(1)							
24	Y1,Y2,Y3	Solenoid valve	FESTO	MSFW-230-50/60	230VAC 50/60Hz	3	-----	(1)							
25	M1	Blower	SHINI	----	400V 50/60Hz 0.12KW	1	-----	(1)							
整机版本 Ver.C Notes: (1)Means it's not the material inside the control box. (2)Means accessories for Dew-point transducer.															
		Drawer		Version		F		Title		Drawing NO		Scale		Page	
		Designer		Approved by				SDL-40U-		SDL-40U-		Standard		Page	
		Proofread by		Date		20170830		Electrical Components List 1		CE-400V-F-4		CE		Totally 5 Pages	
Mark		Before modification		Modified by		Modify date						Voltage		400V	
		Checked by										Frequency		50Hz	
 SHINI 信易电热机械股份有限公司 Shini Plastics Technologies, Inc.															
1 2 3 4 5 6 7 8															



整机版本 Ver.C

D	Title		Drawing NO		Scale	Page
	SDL-80U/120U Main Circuit Diagram		SDL-80U/120U- CE-400V-F-1		Standard	1
Mark	Before modification	Modified by	Modify date	Version	Approved by	Totally
	After modification			F		5
Voltage		Frequency		Page		
400V		50HZ		8		





邦普K. SF878500A. 04 (两机一体SDL-U控制器)

整机版本 Ver.C

1	2	3	4	5	6	7	8																																																																								
<table border="1" style="width: 100%; border-collapse: collapse;"> <tr> <td style="width: 25%;">Title</td> <td colspan="2">SDL-80U/120U</td> <td style="width: 25%;">Drawing NO</td> <td colspan="2">SDL-80U/120U-</td> <td style="width: 10%;">Scale</td> <td colspan="2">Page 2</td> </tr> <tr> <td>Version</td> <td colspan="2">F</td> <td>Control Circuit Diagram</td> <td colspan="2">CE-400V-F-2</td> <td>Standard</td> <td colspan="2">CE</td> </tr> <tr> <td>Designer</td> <td colspan="2">Approved by</td> <td colspan="2">SHINI</td> <td colspan="2">Voltage</td> <td colspan="2">400V</td> </tr> <tr> <td>Proofread by</td> <td colspan="2">Date</td> <td colspan="2">信易电热机械股份有限公司 Shini Plastics Technologies, Inc.</td> <td colspan="2">Frequency</td> <td colspan="2">50Hz</td> </tr> <tr> <td>Checked by</td> <td colspan="2">20170830</td> <td colspan="2"></td> <td colspan="2">Totally</td> <td colspan="2">5 Pages</td> </tr> <tr> <td>Modified by</td> <td colspan="2"></td> <td colspan="2"></td> <td colspan="2">Page</td> <td colspan="2">2</td> </tr> <tr> <td>After modification</td> <td colspan="2"></td> <td colspan="2"></td> <td colspan="2">Voltage</td> <td colspan="2">400V</td> </tr> <tr> <td>Mark</td> <td colspan="2"></td> <td colspan="2"></td> <td colspan="2">Frequency</td> <td colspan="2">50Hz</td> </tr> </table>								Title	SDL-80U/120U		Drawing NO	SDL-80U/120U-		Scale	Page 2		Version	F		Control Circuit Diagram	CE-400V-F-2		Standard	CE		Designer	Approved by		SHINI		Voltage		400V		Proofread by	Date		信易电热机械股份有限公司 Shini Plastics Technologies, Inc.		Frequency		50Hz		Checked by	20170830				Totally		5 Pages		Modified by					Page		2		After modification					Voltage		400V		Mark					Frequency		50Hz	
Title	SDL-80U/120U		Drawing NO	SDL-80U/120U-		Scale	Page 2																																																																								
Version	F		Control Circuit Diagram	CE-400V-F-2		Standard	CE																																																																								
Designer	Approved by		SHINI		Voltage		400V																																																																								
Proofread by	Date		信易电热机械股份有限公司 Shini Plastics Technologies, Inc.		Frequency		50Hz																																																																								
Checked by	20170830				Totally		5 Pages																																																																								
Modified by					Page		2																																																																								
After modification					Voltage		400V																																																																								
Mark					Frequency		50Hz																																																																								

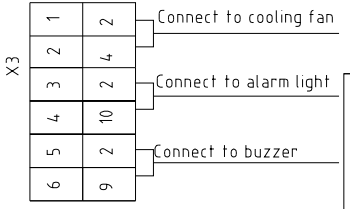
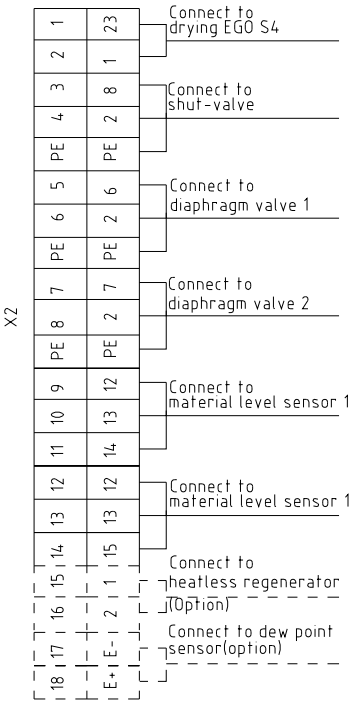
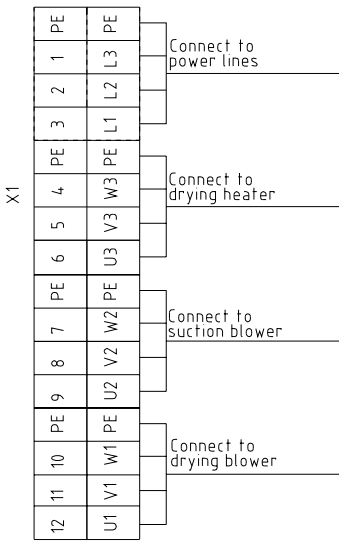
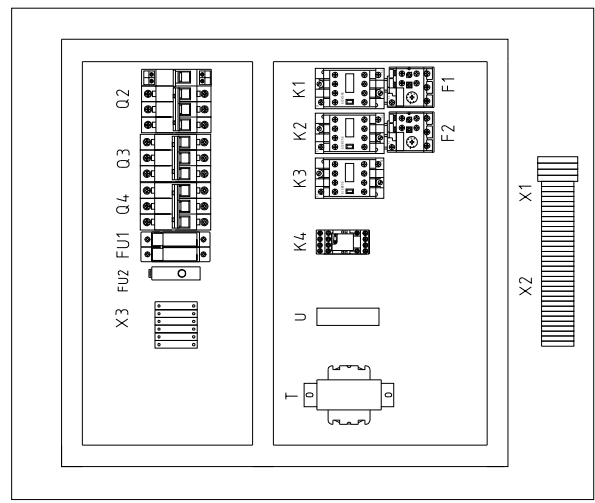
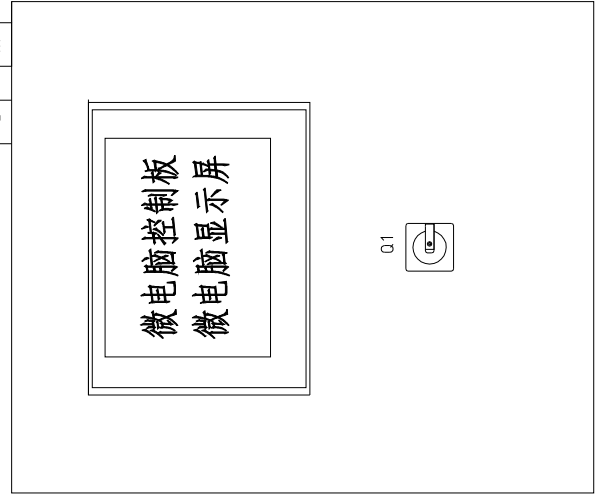
1 2 3 4 5 6 7 8

A

B

C

D



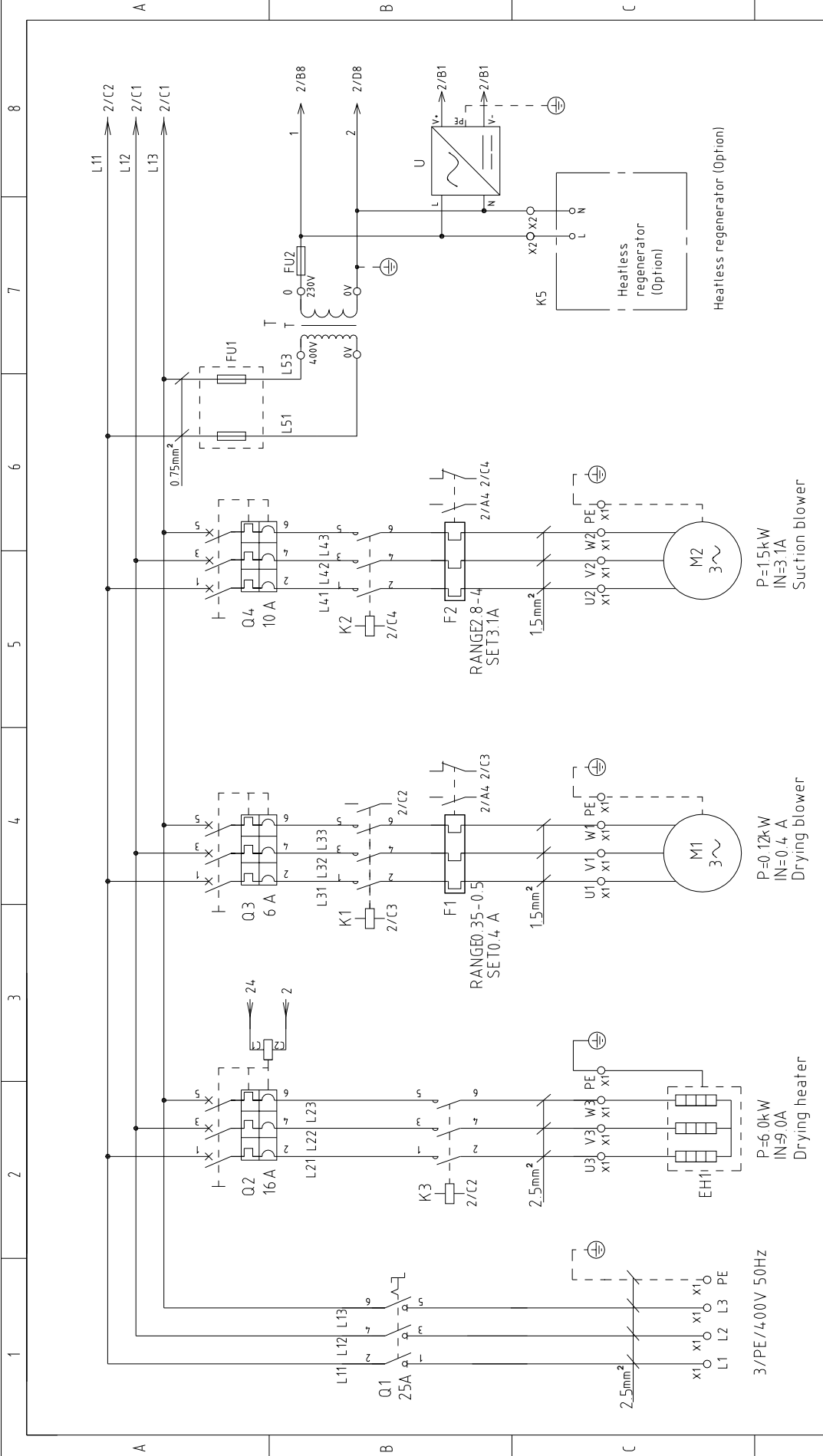
整机版本 Ver.C

Scale	Standard	CE	Voltage Frequency	400V 50Hz
	Page	3		Totally
Drawing NO		SDL-80U/120U-CE-400V-F-3		8
Title	SDL-80U/120U Electrical Components Layout	Version	F	7
Designer		Approved by		6
Proofread by		Date	20170830	5
Checked by		Modify date		4
Mark	Before modification	Modified by		3
Mark	After modification			2
SHINI 信易电热机械股份有限公司 Shini Plastics Technologies, Inc.				1

1	2		3	4	5	6	7	8
NO	Symbol	Name	Manufacturer	Type	Specification	Number	Material number	Remark
A	1	Q1	Main switch	EATON	T0-2-1/EA/SVB	16A	1	YE10021160000
	2	Q2	Circuit-breaker	TECO	BM-63C/3010S	10A	1	YE40301003000
	3	Q3	Excitation release	TECO	MX	230V 50/60Hz	1	YE40023560000
	4	Q3	Circuit-breaker	TECO	BM-63C/3006S	6A	1	YE40300603000
	5	Q4	Circuit-breaker	TECO	BM-63C/3010S	10A	1	YE40301003000
	6	K1	Contactor	SIEMENS	3RT6015-1ANZ1	7A 220V 50/60Hz	1	YE00601521000
	7	K2	Contactor	SIEMENS	3RT6016-1ANZ1	9A 220V 50/60Hz	1	YE00601621000
	8	K3	Contactor	SIEMENS	3RT6016-1ANZ1	9A 220V 50/60Hz	1	YE00601621000
	9	K4	Middle relay	WEIDMULLER	DRM270730LT	230V 50/60Hz	1	YE03270700000
	10	U	DC power	MEAN WELL	NES-35-24	OUT=DC24V 15A	1	YE71352400100
B	11	T	Transformer	BAIYUN	BY-04.07009	IN=400V OUT=230V 500mA	1	YE70402300800
	12	F1	Overload relay	SIEMENS	3RU6116-0FB0	0.35-0.5A	1	YE01161350000
	13	F2	Overload relay	SIEMENS	3RU6116-1EB0	2.8-4A	1	YE01160280000
	14	FU1	Fuse base	CHNT	RT28-32	2P	1	YE41032200000
	15	FU2	Fuse core	CHNT	10x38 500V	2A	2	YE46002000000
	16	FU2	Fuse	YINDA	FS-10	2A	1	YE41001000000
	17	S3	Dew-point transducer	CS	CS 217-0EM	POWER=24VDC OUT=4-20mA	1	-----
	18	S4	Temperature protector	EGO	--	115-320°	1	-----
C	19	S5	Thermocouple	SHINI	ST-K	K	1	-----
	20	PCB	SDL-U Controller	PUMP	K.SF878500A.04	-----	1	YE80878500300
	21	H1	Buzzer	HITPOINT	PK-35A	220V AC/DC	1	YE84003500200
	22	H2	Alarm indicator	SHINI	LED-3051	230VAC 50Hz	1	YE83305100200
	23	FM	Fan	SUNON	DP-200A	230VAC 40W	1	-----
	24	Y1,Y2,Y3	Solenoid valve	FESTO	MSFW-230-50/60	230VAC 50/60Hz	3	-----
	25	M1	Blower	SHINI	----	400V 50/60Hz 0.12KW	1	-----
	整机版本	Ver.C	Notes: (1)Means it's not the material inside the control box. (2)Means accessories for Dew-point transducer.					
D			Title	F	Drawing NO	Scale	Page	4
			Designer	Approved by	SDL-80U/120U- Electrical Components List 1	SDL-80U/120U- CE-400V-F-4	Standard	CE
			Proofread by	Date			Voltage	400V
Mark	Before modification	Modified by	Modify date	20170830			Frequency	50Hz
1	2	3	4	5	6	7	8	8

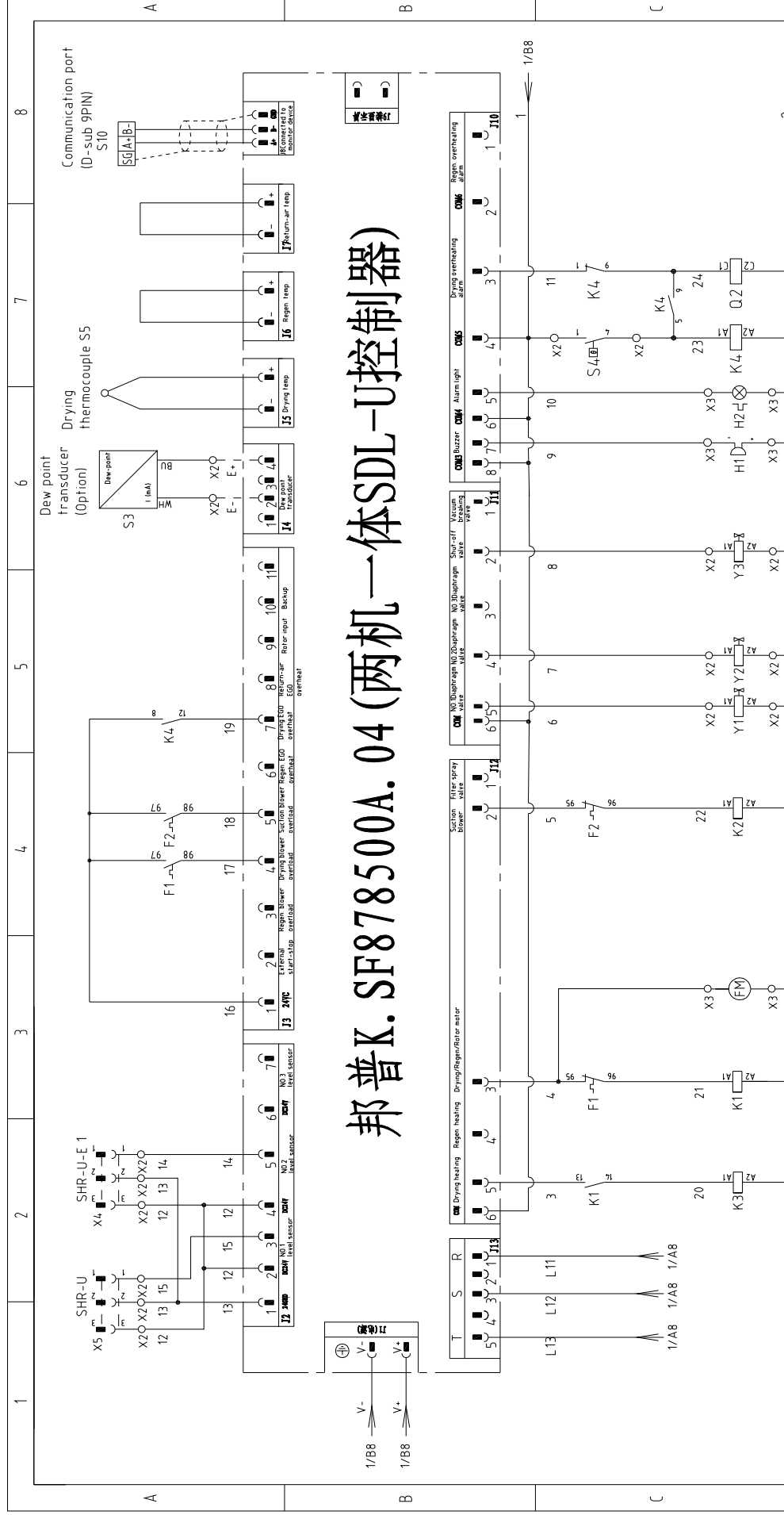


1		2		3		4		5		6		7		8	
No.	Symbol	Name	Manufacturer	Type	Specification	Number	Material number	Remark							
26	M2	Blower	SHINI	----	400V 50/60Hz 1.5KW	1	----	(1)							
27	EH1	Heater	SHINI	----	400V 50/60Hz 3.9KW	1	----	(1)							
A															
28	X1	Terminal board	----	4mm ²	----	9	YE600004.03200								
29			----	4mm ² PE	----	3	YE600004.03500								
30			----	2.5mm ²	----	3	YE60002503200								
31			----	2.5mm ² PE	----	1	YE60002503400								
32	X2	Terminal board	----	2.5mm ²	----	14	YE60002503200								
33			----	2.5mm ² PE	----	3	YE60002503400								
34			----	2.5mm ²	----	2	YE60002503200	(2)							
35			----	2.5mm ²	----	2	YE60002503200	(3)							
B															
36	X3	Terminal	----	2.5mm ²	----	6	YE60002503200								
37	X4, X5	Heavy duty connector	SIBAS	HDC-HA-004.1	4P 10A	2	YE6804.1000100	(1)							
38	S10	Communication interface board RS-485 (double Dsub-9pin connector)	--	--	--	1	YE9004.8501200	(1)							
39		Shell RS485(SAL-700G-A-19)0	--	--	--	1	YR4.004.8500000	(1)							
40		Terminal block E/GKseries(honeywell)	--	--	--	5	YE60000003900								
C															
D															
整机版本 Ver.C		Notes: (1)Means it's not the material inside the control box. (2)Means accessories for Dew-point transducer.(3) Means optional heatless regenerator.													
Title			F			Version		Drawing NO		Scale		Page		D	
SDL-80U/120U Electrical Components List 2						SDL-80U/120U- CE-400V-F-5		Standard		CE		Page 5		Totally 5 Pages	
SHINI 信易電熱機械股份有限公司 Shini Plastics Technologies, Inc.			Date			20170830		Voltage		400V		Frequency		50HZ	
Mark		Before modification		Modified by		Modify date		Checked by		Approved by		Designer		Drawer	
1		2		3		4		5		6		7		8	



整机版本 Ver.D

D	Drawer	Designer	Proofread by	Checked by	Modify date	Modified by	Mark	1	2	3	4	5	6	7	8
	Version	Approved by	Date	20170830											
Title		F		Version		F		Title		F		Version		F	
SDL-160U		Main Circuit Diagram		SDL-160U		Main Circuit Diagram		Drawing NO		SDL-160U-CE-400V-F-1		Scale		Page 1	
Standard		CE		Standard		CE		Voltage		400V		Frequency		50Hz	
Mark		Before modification		After modification		Modified by		Modify date		Checked by		Date		20170830	
SHINI		信易电热机械股份有限公司		Shini Plastics Technologies, Inc.		SHINI		信易电热机械股份有限公司		Shini Plastics Technologies, Inc.		SHINI		信易电热机械股份有限公司	



邦普K. SF878500A. 04 (两机一体SDL-U控制器)

整机版本 Ver.D

Drawing NO		SDL-160U-CE-400V-F-2		Scale	Standard		Page 2
Title		SDL-160U Control Circuit Diagram		Standard		Voltage 400V Frequency 50Hz	
Version		F Approved by		Totality		5 Pages	
Date		20170830		CE		Voltage 400V Frequency 50Hz	
Mark	Before modification	Modified by	Modify date	Checked by	Approved by	Designer	Drawer
1							
2							
3							
4							
5							
6							
7							
8							



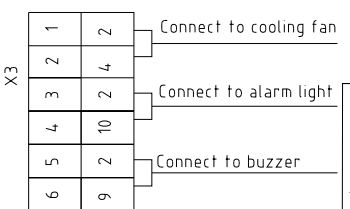
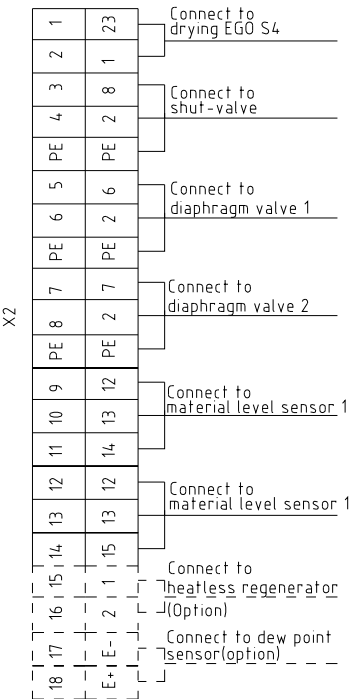
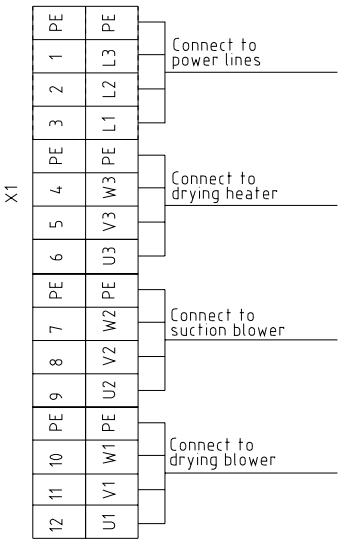
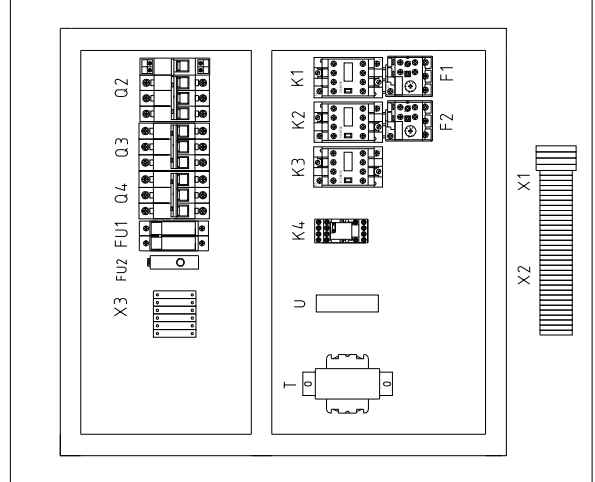
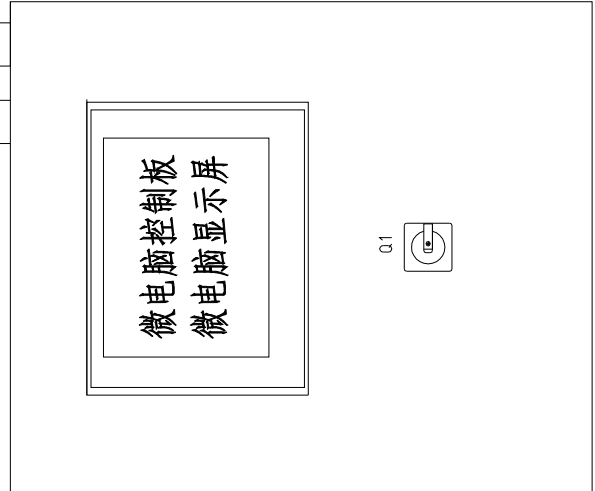
1 2 3 4 5 6 7 8

A

B

C

D



整机版本 Ver.D

Drawing NO		SDL-160U - CE-400V-F-3		Scale	Standard	Page	3
Title		SDL-160U Electrical Components Layout		Standard		CE	
Designer	Proofread by	Checked by	Modify date	Version	Approved by	Date	20170830
Drawer	Designer	Proofread by	Checked by	Version	Approved by	Date	20170830
Mark	Before modification	After modification	Modify date	Version	Approved by	Date	20170830
Voltage		400V		Frequency		50HZ	
Totally		5		Pages		3	

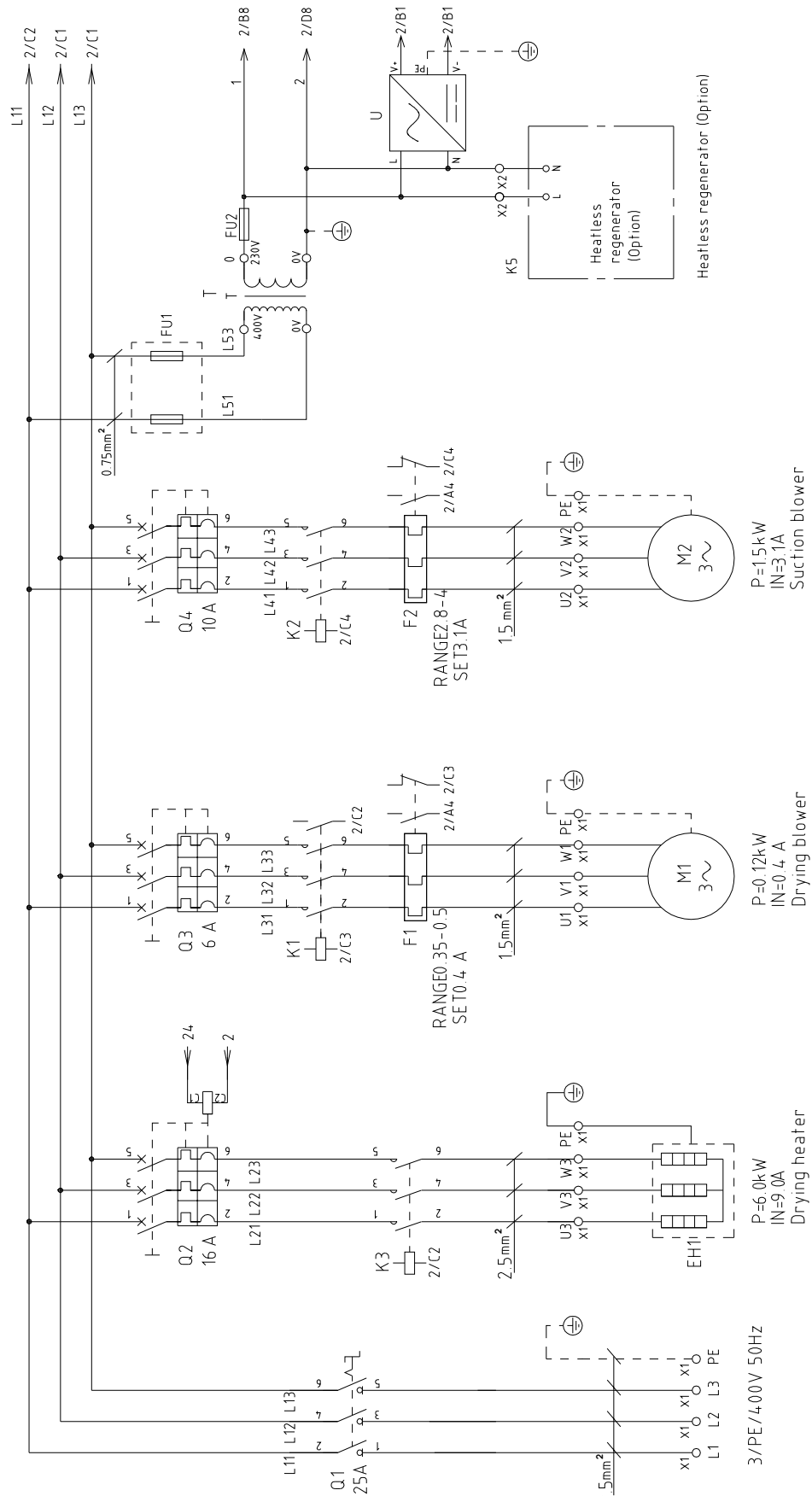


1 2 3 4 5 6 7 8

1	2		3	4	5	6	7	8
NO	Symbol	Name	Manufacturer	Type	Specification	Number	Material number	Remark
A	1	Q1	Main switch	EATON	P1-25/EA/SVB	25A	1	YE10125250000
	2	Q2	Circuit-breaker	TECO	BM-63C/3016S	16A	1	YE40301603000
	3		Excitation release	TECO	MX	230V 50/60Hz	1	YE40023560000
	4	Q3	Circuit-breaker	TECO	BM-63C/3006S	6A	1	YE40300603000
	5	Q4	Circuit-breaker	TECO	BM-63C/3010S	10A	1	YE40301003000
	6	K1	Contact	SIEMENS	3RT6015-1ANZ1	7A 220V 50/60Hz	1	YE00601521000
	7	K2	Contact	SIEMENS	3RT6016-1ANZ1	9A 220V 50/60Hz	1	YE00601621000
	8	K3	Contact	SIEMENS	3RT6018-1ANZ1	16A 220V 50/60Hz	1	YE00601800000
	9	K4	Middle relay	WEIDMULLER	DRM270730LT	230V 50/60Hz	1	YE03270700000
	10	U	DC power	MEAN WELL	NES-35-24	OUT=DC24V 15A	1	YE71352400100
B	11	T	Transformer	BAIYUN	BY-0407009	IN=400V OUT=230V 500mA	1	YE70402300800
	12	F1	Overload relay	SIEMENS	3RU6116-0FB0	0.35-0.5A	1	YE01161350000
	13	F2	Overload relay	SIEMENS	3RU6116-1EB0	2.8-4A	1	YE01160280000
	14	FU1	Fuse base	CHNT	RT28-32	2P	1	YE41032200000
	15		Fuse core	CHNT	10×38 500V	2A	2	YE46002000000
	16	FU2	Fuse	YINDA	FS-10	2A	1	YE41001000000
	17	S3	Dew-point transducer	CS	CS 217-0EM	POWER=24VDC OUT=4-20mA	1	-----
	18	S4	Temperature protector	EGO	--	115-320°	1	-----
C	19	S5	Thermocouple	SHINI	ST-K	K	1	-----
	20	PCB	SDL-U Controller	PUMP	K.SF878500A.04	-----	1	YE80878500300
	21	H1	Buzzer	HITPOINT	PK-35A	220V AC/DC	1	YE84003500200
	22	H2	Alarm indicator	SHINI	LED-3051	230VAC 50Hz	1	YE83305100200
	23	FM	Fan	SUNON	DP-200A	230VAC 40W	1	-----
	24	Y1,Y2,Y3	Solenoid valve	FESTO	MSFW-230-50/60	230VAC 50/60Hz	3	-----
	25	M1	Blower	SHINI	----	400V 50/60Hz 0.12KW	1	-----
整机版本 Ver.D Notes: (1)Means it's not the material inside the control box. (2)Means accessories for Dew-point transducer.								
D			Title	Version	F	Drawing NO	Scale	Page
			SDL-160U	Electrical Components List 1	SDL-160U-CE-400V-F-4	Standard	CE	4
			Designer	Approved by	Date	Voltage	Frequency	5
			Proofread by	Date	20170830	400V	50Hz	8
Mark	Before modification	Modified by	Modify date	Date	20170830	Voltage	Frequency	8



1 2 3 4 5 6 7 8



SDL-230U 整机版本 Ver.B | SDL-230U-HD 整机版本 Ver.C

D	Drawer	Version	F	Title	Drawing NO		Scale	Page
	Designer	Approved by		SDL-230U	SDL-230U-CE-4.00V-F-1	Standard	CE	1
	Proofread by			Main Circuit Diagram			Totally	5
	Checked by	Date	20170830				Voltage	400V
Mark	Before modification	Modified by					Frequency	50Hz



8

1		2		3		4		5		6		7		8	
N0	Symbol	Name	Manufacturer	Type	Specification	Number	Material number	Remark							
1	Q1	Main switch	EATON	P1-25/EA/SVB	25A	1	YE10125250000								
2	Q2	Circuit-breaker	TECO	BM-63C/ 3016S 3P	16A	1	YE40301603000								
3		Excitation release	CHINT	MX	230V 50/60Hz	1	YE40023560000								
4	Q3	Circuit-breaker	TECO	BM-63C/3006S 3P	6A	1	YE40300603000								
5	Q4	Circuit-breaker	TECO	BM-63C/3010S 3P	10A	1	YE40301003000								
6	K1	Contact	SIEMENS	3RT6015-1ANZ1	7A 220V 50/60Hz	1	YE00601521000								
7	K2	Contact	SIEMENS	3RT6016-1ANZ1	9A 220V 50/60Hz	1	YE00601621000								
8	K3	Contact	SIEMENS	3RT6018-1ANZ1	16A 220V 50/60Hz	1	YE00601800000								
9	K4	Middle relay	WEIDMULLER	DRM270730LT	230V 50/60Hz 12A	1	YE03270700000								
10	U	DC power	MEAN WELL	NES-35-24	OUT=DC24V 15A	1	YE71352400100								
11	T	Transformer	BAIYUN	BY-0407009	IN=400V OUT=230V 500mA	1	YE70402300800								
12	F1	Overload relay	SIEMENS	3RU6116-0FB0	0.35-0.5A	1	YE01161350000								
13	F2	Overload relay	SIEMENS	3RU6116-1EB0	2.8-4A	1	YE01160280000								
14	FU1	Fuse base	CHINT	RT28-32	2P	1	YE41032200000								
15		Fuse core	CHINT	10×38 500V	2A	2	YE46002000000								
16	FU2	Fuse	YINDA	FS-10	2A	1	YE41001000000								
17	S3	Dew-point transducer	CS	CS 217-0EM	POWER=24VDC OUT=4-20mA	1	-----	(1)(2)							
18	S4	Temperature protector	EGO	--	115-320°	1	-----	(1)							
19	S5	Thermocouple	SHINI	ST-K	K	1	-----	(1)							
20	PCB	SDL-U Controller	PUMP	K.SF878500A.04	-----	1	YE80878500300								
21	H1	Buzzer	HITPOINT	PK-35A	220V AC/DC	1	YE84003500200								
22	H2	Alarm indicator	SHINI	LED-3051	230VAC 50Hz	1	YE83305100200	(1)							
23	FM	Fan	SUNON	DP-200A	230VAC 40W	1	-----	(1)							
24	Y1,Y2,Y3	Solenoid valve	FESTO	MSFW-230-50/60	230VAC 50/60Hz	3	-----	(1)							
25	M1	Blower	SHINI	----	400V 50/60Hz 0.12KW	1	-----	(1)							
SDL-230U整机版本Ver.B SDL-230U-HD整机版本Ver.C Notes: (1)Means it's not the material inside the control box. (2)Means accessories for Dew-point transducer.															
D		Title		F		Version		Scale		Page		4		8	
		SDL-230U		Electrical Components List 1		SDL-230U-CE-400V-F-4		Standard		CE		Voltage		400V	
		Designer		Approved by				Totally		5		Pages		50Hz	
Mark		Before modification		Modified by		Modify date		Checked by		Date		20170830			
		SHINI		SHINI		SHINI		SHINI		SHINI		SHINI		SHINI	
		信易电热机械股份有限公司		Shini Plastics Technologies, Inc.											

1		2		3		4		5		6		7		8	
No	Symbol	Name	Manufacturer	Type	Specification	Number	Material number	Remark							
26	M2	Blower	SHINI	----	400V 50/60Hz 15KW	1	----	(1)							
27	EH1	Heater	SHINI	----	400V 50/60Hz 6.0KW	1	----	(1)							
28	X1	Terminal board	----	4mm ²	----	9	YE60000403200								
29			----	4mm ² PE	----	3	YE60000403500								
30			----	2.5mm ²	----	3	YE60002503200								
31			----	2.5mm ² PE	----	1	YE60002503400								
32	X2	Terminal board	----	2.5mm ²	----	14	YE60002503200								
33			----	2.5mm ² PE	----	3	YE60002503400								
34			----	2.5mm ²	----	2	YE60002503200	(2)							
35			----	2.5mm ²	----	2	YE60002503200	(3)							
36	X3	Terminal	----	2.5mm ²	----	6	YE60002503200								
37	X4, X5	Heavy duty connector	SIBAS	HDC-HA-004.1	4P 10A	2	YE68041000100	(1)							
38	S10	Communication interface board RS-485 (double Dsub-9pin connector)	--	--	--	1	YE90048501200	(1)							
39		Shell RS485(SAL-700G-A-19)0	--	--	--	1	YR40048500000	(1)							
40		Terminal block E/GKseries(honeywell)	--	--	--	5	YE60000003900								
C															
D															
SDL-230U 整机版本 Ver.B SDL-230U-HD 整机版本 Ver.C Notes: (1)Means it's not the material inside the control box. (2)Means accessories for Dew-point transducer. (3) Means optional heatless regenerator.															
		Title		Version		F		Drawing NO		Scale		Page		5	
		SDL-230U		Electrical Components List 2		SDL-230U-CE-400V-F-5		Standard		CE		Voltage		400V	
		Mark		After modification		Modified by		Modify date		Checked by		Date		20170830	
		SHINI		Shini Plastics Technologies, Inc.								Frequency		50HZ	
8															