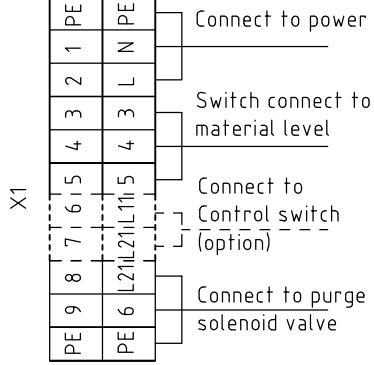
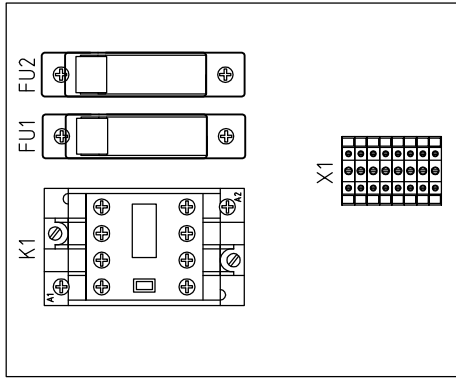
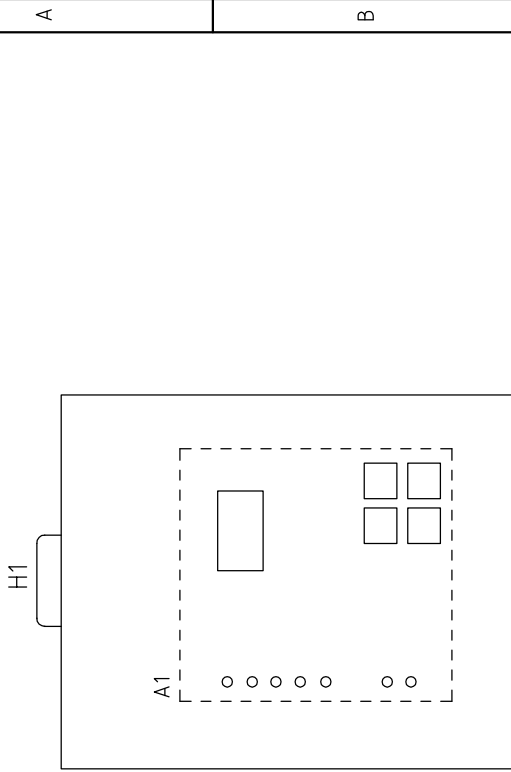


机型版本 Ver.B

D	A	Version	Title	Drawing NO.		Page	1
				SAL-330/360		Standard	UL
Main Circuit Diagram				SAL-330/360-UL-115-A-1		Totally	3
SHINI				信易电热机械股份有限公司 Shini Plastics Technologies, Inc.		Voltage	115V
Mark				Before modification		Frequency	60HZ
Modified by				Date		8	
Proofread by				Approved by		4	
Designer				Checked by		3	
Drawer				Date		20190611	

1 2 3 4 5 6 7 8



机型版本 Ver.B

Mark	Before modification	Modified by	Modify date	Checked by	Date	Approved by	Version	A	Title	SAL-330/360 Electrical Components Layout	Drawing NO. SAL-330/360-UL-115-A-2	Scale	Page
	After modification											Standard	2
												UL	Totally 3
												Voltage	115V
												Frequency	60HZ
1	2	3	4	5	6	7	8						



1		2		3		4		5		6		7		8				
NO.	Symbol	Name	Manufacturer	Type	Specification	Number	Material number	Remark										
1	FU1	Fuse Base	WOHNER	31110	10×38 690V	2	YE40201600100											
2		Fuse core	WOHNER	20A	10×38/660V/gG	2	YE46020000000											
3	K1	AC Contactor	SIEMENS	3RT6018-1AF01	115V 50/60HZ	1	YE00601800300											
4	S1	Control Switch	SHINI	303	250VAC 10A	1	YE10030300000	(2)										
5	S2	Micro Switch	JUCHE	LXW5-11G2	250V 10A	1	YE14511200000	(1)										
6	H1	Alarm Lamp+ buzzer	HONGYUN	----	AC 115/230V	1	BL90011500020											
7	A1	Microcomputer Mainboard	YUYUN	CS-01	115VAC 50/60HZ	1	YE80011000000											
8	X1	Terminal Board	HONEYWELL	SK2.5	2.5mm ²	7	YE60002503200											
9		Terminal Board	HONEYWELL	GK2.5	2.5mm ²	2	YE60002503400											
10		Terminal Board	HONEYWELL	SK2.5	2.5mm ²	2	YE60002503200	(2)										
11		Terminal fittings E/GK series	HONEYWELL	---	PCS	4	YE60000003900											
12	M	MoFor	AMETEK	---	115VAC 1.15KW	1	---	(1)										
C																		
D																		
机型版本 Ver.B																		
Mark		Before modification	Modified by	Modify date	After modification	Modified by	Modify date	Proofread by	Checked by	Version	Approved by	Date	Title			Scale		
										A		20190611	SAL-330/360			Standard		
													Electrical Components List			UL		
													SAL-330/360-UL-115-A-3			Voltage		
																Frequency		
																115V		
																60HZ		
机型版本 Ver.B		Note: (1) Means not part of control box. (2) Optional manual control switch																
Drawing NO.		SAL-330/360-UL-115-A-3																
Page		3																
Totally		3																
Pages		8																



信易电热机械股份有限公司
Shini Plastics Technologies, Inc.