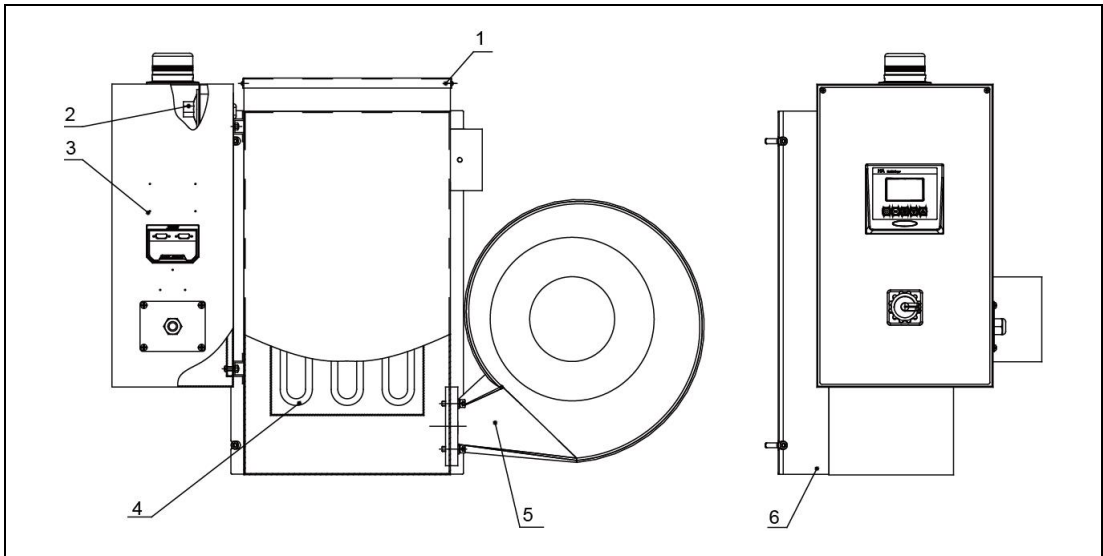


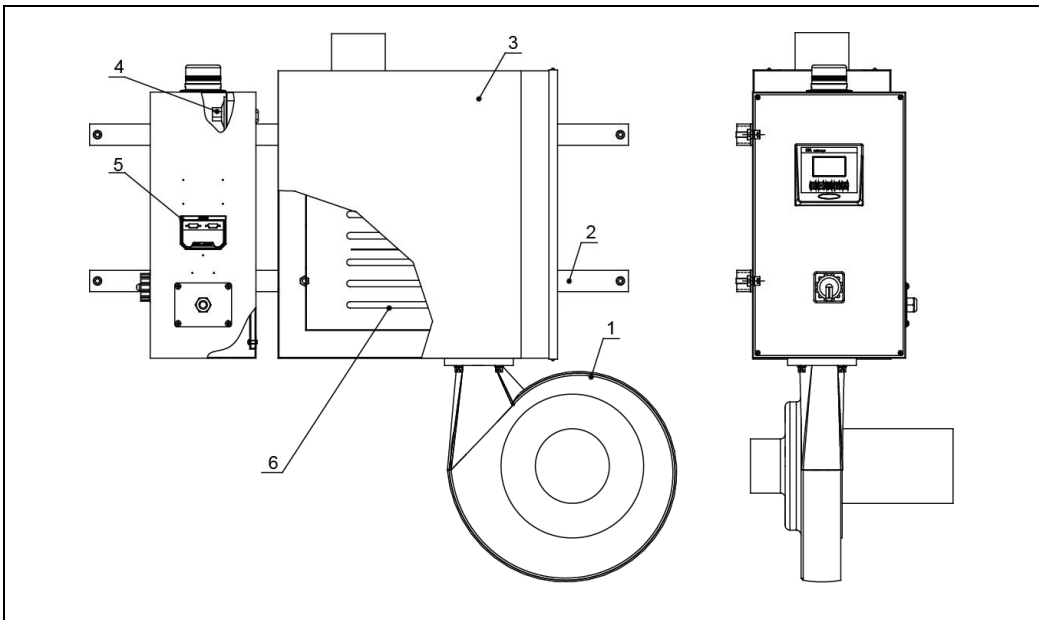
1. Structural Drawing (HA-30~400)



Names of Parts:

- | | | | |
|-------------------------|--------------------------------|----------------|----------------|
| 1. Heating box assembly | 2. EGO | 3. Control box | 4. Pipe heater |
| 5. Blower | 6. Fixing plate of heating box | | |

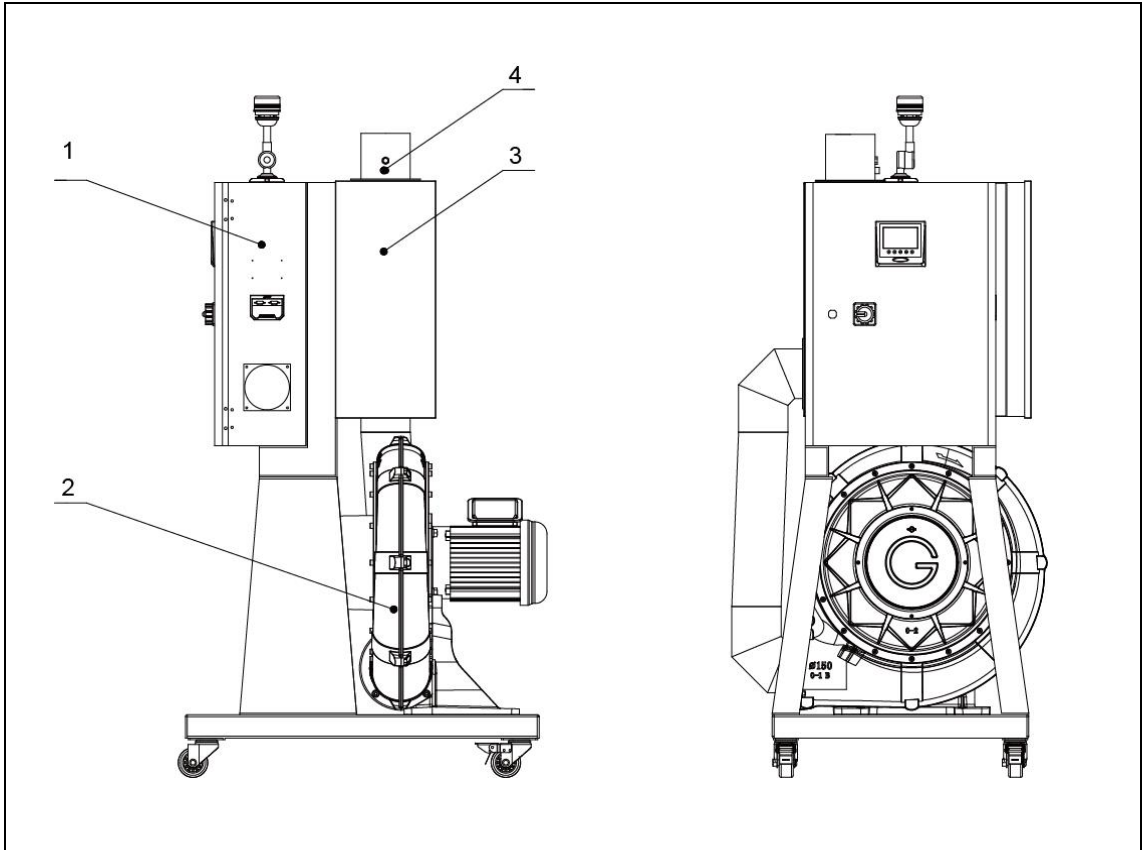
2. Structural Drawing (HA-600~700)



Names of Parts:

- | | | | |
|----------------|-------------------------------|-------------------------|--------|
| 1. Blower | 2. Fixed beam of heating case | 3. Heating box assembly | 4. EGO |
| 5. Control box | 6. Pipe heater | | |

3. Structural Drawing (HA-1000~4000)



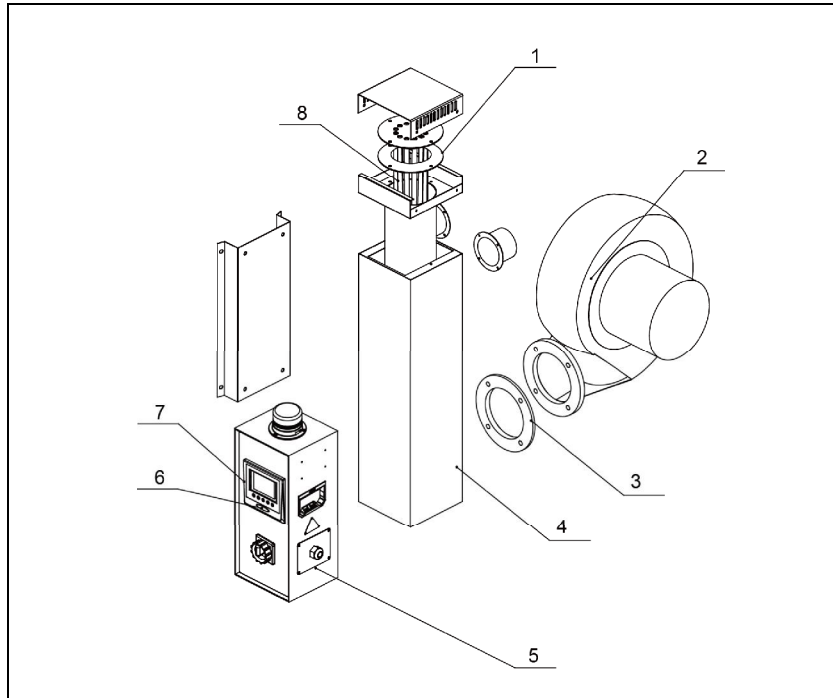
1. Control box

2. Blower

3. Heating box assembly

4. EGO

4. Parts Drawing (HA-30~400)



Remarks: Please refer to material list 5 for specific explanation of the Arabic numbers in parts drawing.

5. Parts List (HA-30~400)

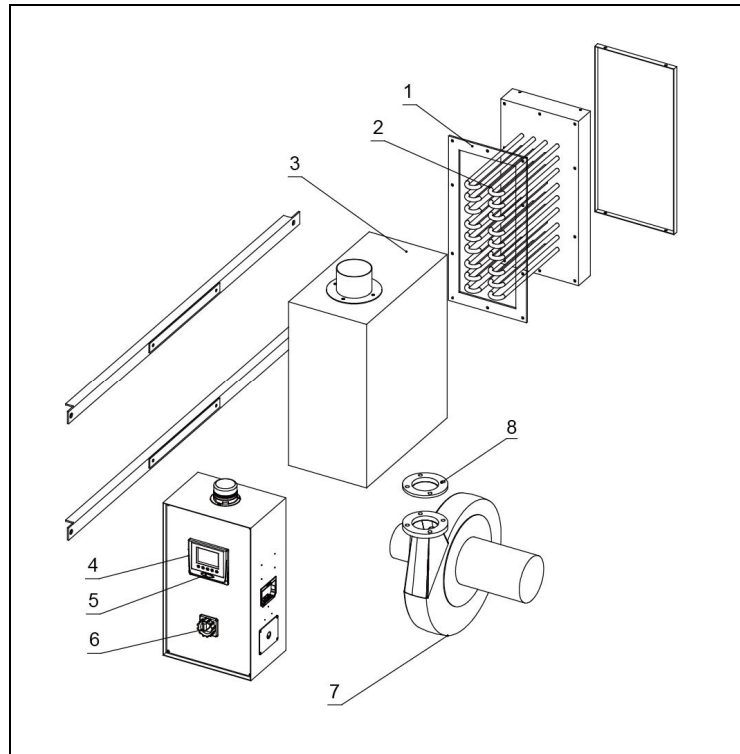
No.	Name	Part No.		
		HA-30	HA-40	HA-60
1	Heating case fastener*	YR10141100000	YR10141100000	YR10151200000
2	Drying blower*	YM40151200500	BM40253200150	BM40338000150
3	Blower fastener*	-	YR10001200600	YR10141100000
4	Rack metal plate	BK90003000220	BK90004001120	BK90006001420
5	Control box	BH90003000250	BH90004004050	BH90006004050
6	Lamp cover	YR90441300000	YR90441300000	YR90441300000
7	Control box	YR40400200000	YR40400200000	YR40400200000
8	Pipe heater*	BH70202200050	BH70400300350	BH70123900150
No.	Name	Part No.		
		HA-100	HA-200	HA-400
1	Heating case fastener*	YR10161200000	YR10161200000	YR10607500100
2	Drying blower*	BM40432200150	BM40532200150	BM30055000060
3	Blower fastener*	YR10010000600	YR10020000600	YR10001200600
4	Rack metal plate	BK90010001420	BK90020001120	BK90040001120
5	Control box	BH90010004050	BH90020004050	BH90040004050
6	Lamp cover	YR90441300000	YR90441300000	YR90441300000

7	Control box	YR40400200000	YR40400200000	YR40400200000
8	Pipe heater*	BH70160600250	BH70301200150	BH70601800250

* means possible broken parts. ** means easy broken part. and spare backup is suggested.

Please confirm the version of manual before placing the purchase order to guarantee that the item number of the spare part is in accordance with the real object.

6. Parts Drawing (HA-600~700)



Remarks: Please refer to material list 7 for specific explanation of the Arabic numbers in parts drawing.

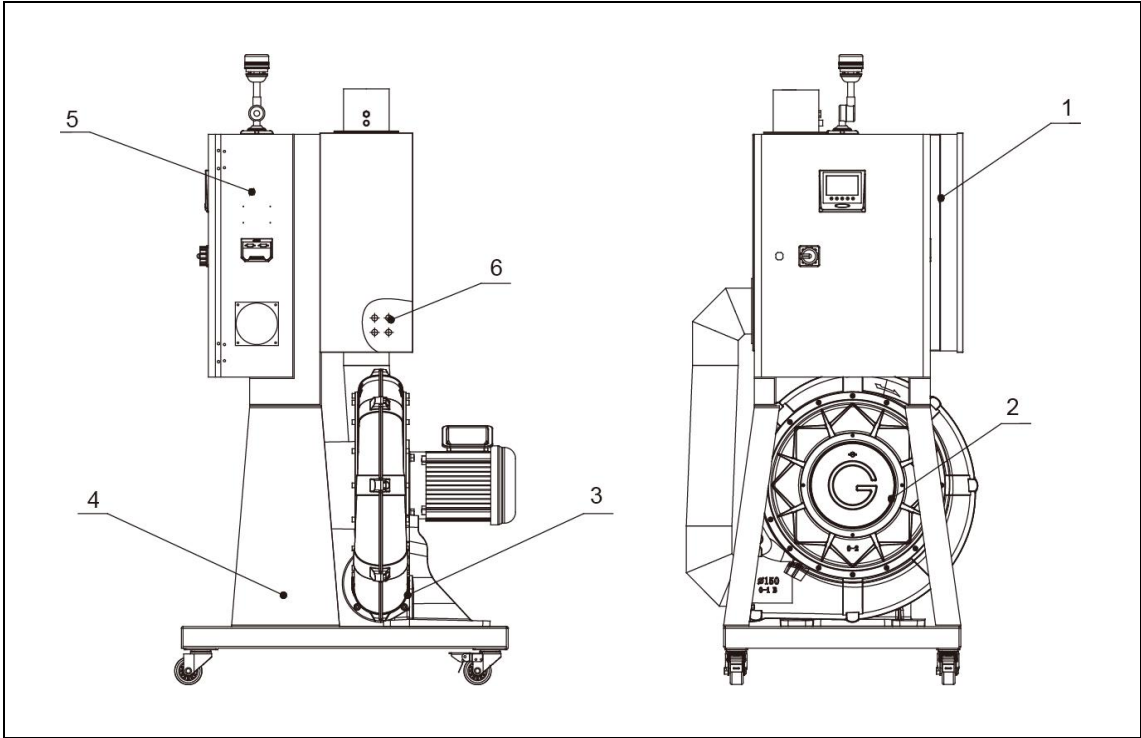
7. Parts List (HA-600~700)

No.	Name	Part No.	
		HA-600	HA-700
1	Heating case fastener*	YR10350040000	YR10350040000
2	Pipe heater*	BH70090000850	BH70120000850
3	Rack metal plate	BK90060001120	BK90070001120
4	Control box	BH90060004050	BH90070004050
5	Lamp cover	YR90441300000	YR90441300000
6	Control box	YR40400200000	YR40400200000
7	Blower*	BM30055000060	BM30113230050
8	Blower fastener *	YR10001200600	YR10161200000

* means possible broken parts. ** means easy broken part. and spare backup is suggested.

Please confirm the version of manual before placing the purchase order to guarantee that the item number of the spare part is in accordance with the real object.

8. Parts Drawing (HA-1000~4000)



Remarks: Please refer to material list 9 for specific explanation of the Arabic numbers in parts drawing.

9. Parts List (HA-1000~4000)

No.	Name	Part No.		
		HA-1000	HA-1500	HA-2500
1	Heating case fastener *	YR10350040000	YR10350040000	YR10350040000
2	Drying blower*	YM30015001600	BM30554500050	YM30001100000
3	Blower fastener*	YR10350040000	YR10350040000	YR10350040000
4	Rack metal plate	BK90100008920	BK90001500120	BK90250000120
5	Control box	BH90100004050	BH90001501550	BH90250000150
6	Pipe heater*	BH70150000850	BH70250000850	BH70500000850
No.	Name	Part No.		
		HA-3000	HA-4000	
1	Heating case fastener *	YR10350040000	YR10350040000	
2	Drying blower*	YM30001500000	YM30223400000	
3	Blower fastener*	YR10350040000	YR10350040000	
4	Rack metal plate	BK90300001120	BK90400001120	
5	Control box	BH90300000150	BH90400004050	
6	Pipe heater*	BH70600000850	BH70800000850	

* means possible broken parts. ** means easy broken part. and spare backup is suggested.
Please confirm the version of manual before placing the purchase order to guarantee that the item number of the spare part is in accordance with the real object.