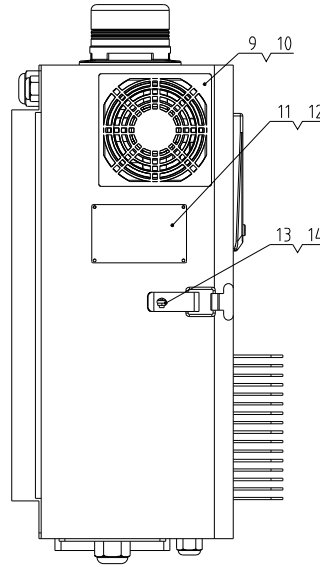
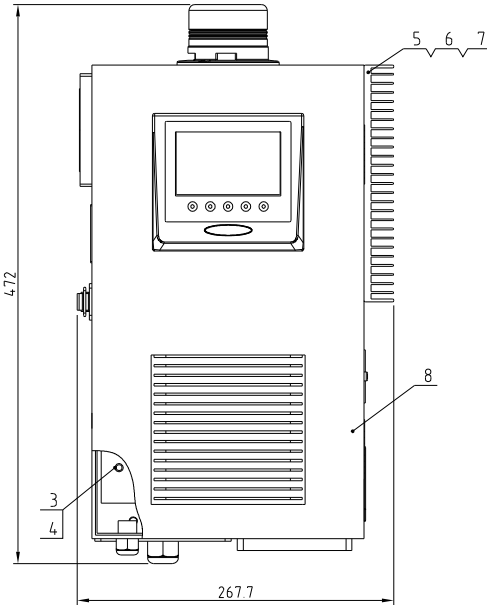
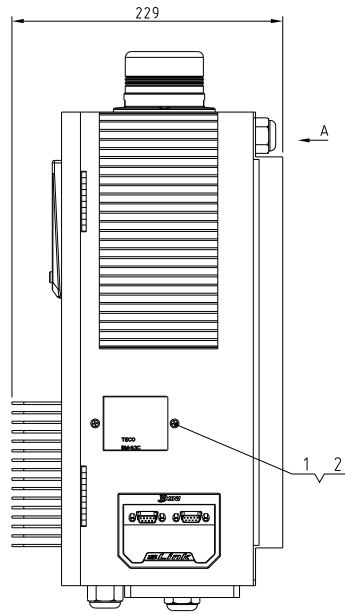
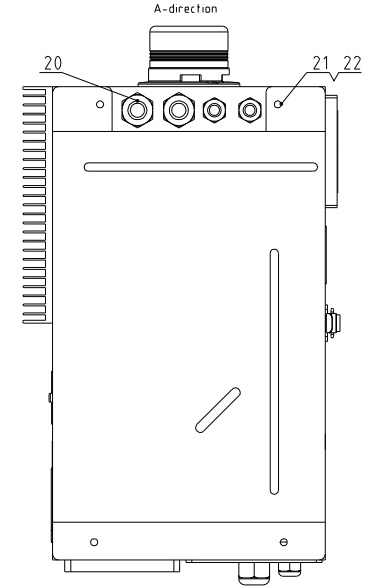
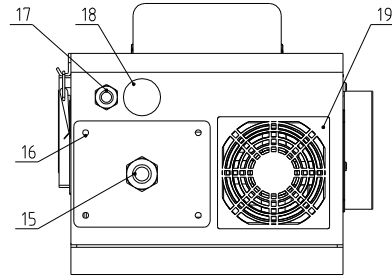


Supportable max. blower power	Supportable max. drying heater power	Voltage	Ver
600W	7.2kW	3Φ4.00V	Ver.B

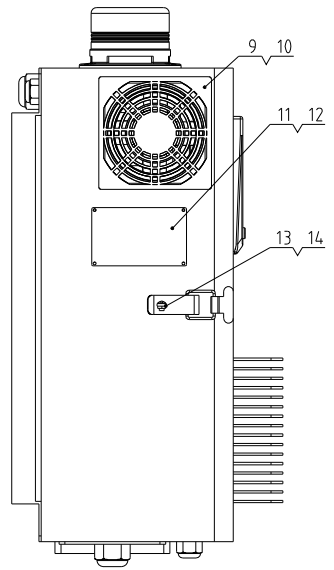
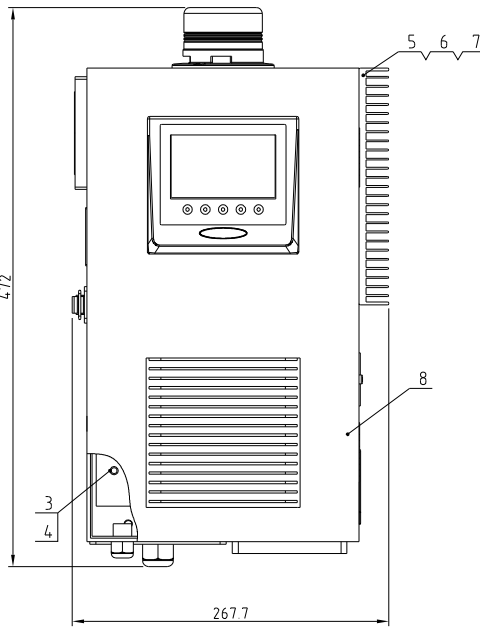
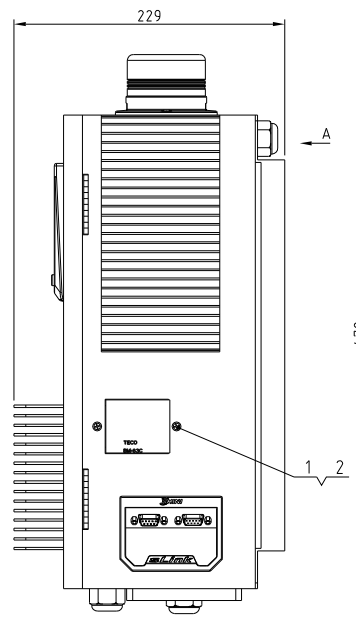
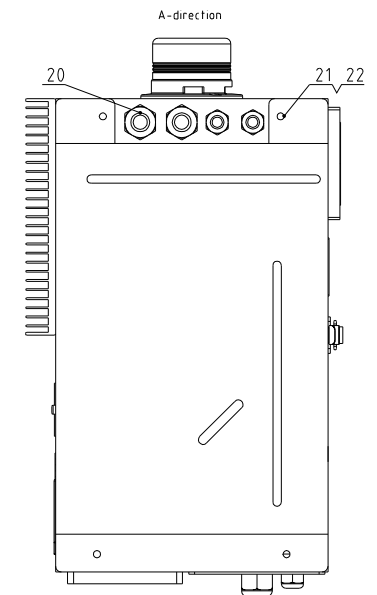
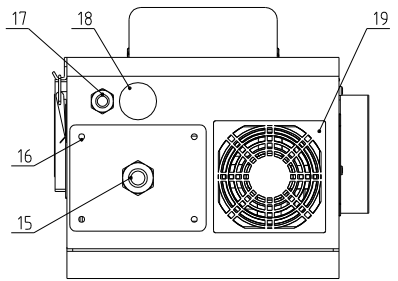


18	YR30002200100	Control box reserved hole plug j22 IP-22		1	
17	YE67000940000	Cable grommet PG9		3	
16	BL02010000020	Wire clamp fixed plate M3 3Φ-Φ1	SPCC2.0	1	
15	YE67321500100	Copper nickel-plated cable connector	Copper nickel plated	1	
14	YW64.000300100	Hexagonal nut GB/T6170 M3		1	
13	YW63030600000	Cross recessed pan head screw GB/T-823		1	
12	YW69020500000	Rivet GB/T 827 2x5		4	
11	YP30804900700	Aluminum plate assembly group general		1	
10	YW67051000700	Cross recessed pan head locking screw		16	
9	YM60922500200	Exhaust fan + plastic air net C2052003/04		1	
8	SEC-500H-A-ALL	Control box	Weldment	1	
7	YW61041000100	Cross recessed counterbore head screws		4	
6	YW63040600000	Cross recessed pan head screw GB/T-818		4	
5	YW90120700000	Aluminum coil(S-Φ41-Φ(Var.)) (black)	AL6063	1	
4	YW64.050300000	Hexagonal nut GB/T6170 M5		4	
3	SEC-500H-ALL-01	Electrical installation panel	SECC15	1	
2	YW670406000600	Cross recessed pan head locking screw		2	
1	BL22080000220	Breaker fixed plate 5L-Φ65+Φ(Var. max)	SPCC10	1	

22	YW67061500600	Cross recessed pan head locking screw		4
21	SEC-500H-ALL-02	Adapter board	SPCC2.0	1
20	YE67001100000	Cable grommet PG11		2
19	YR4.00909000000	Exhaust blower dustproof plastic net 9Φ		1

标记	更改前	更改后	更改人	日期	制图	版号	标题	图号	比例	数量	备注
					设计	核准	SEC-150H		1:4		
					校对		控制箱组件				
					审核		信易电热机械股份有限公司 Shini Plastics Technologies, Inc.		表面要求	/	
					日期			物料号	/		

Supportable max. blower power	Supportable max. drying heater power	Voltage	Ver.
600W	19.2kW	3φ4.00V	Ver. B



20	YE67001100000	Cable head PG11		2
19	YR40090900000	Hexnut for 1/4" dia. steel plastic screw 90		1
18	YR30002200100	Control box reserved hole plug Φ22 IP-22		1
17	YE67000940000	Cable head PG9		3
16	BL02010000020	Wire fixture fixed plate M3.5x5-01	SPCC2.0	1
15	YE67321500100	Apr. shield plate with screw 22x24x2.0(M3.5x4.0)	(copper nickel plated)	1
14	YW64.000300100	Hexagonal nut GB/T6170 M5-Longzinc		1
13	YW63030600000	Cross recessed pan head screw GB/T4842 M4-Longzinc		1
12	YW69020500000	Rivet GB/T 827 2x5		4
11	YP30804900700	Aluminum plate complete (anod.) pump material 10×20		1
10	YW67051000700	Cross recessed pan head tapping screw GB8183 M4		16
9	YM60922500200	Hexnut for 1/4" plastic air nut 95242P/M3/M4		1
8	SEC-500H-A-ALL	Control box	Weldment	1
7	YW61041000100	Cross recessed center nut head screw GB8183 M4-Longzinc		4
6	YW63040600000	Cross recessed pan head screw GB/T4842 M4-Longzinc		4
5	YW90120700000	Aluminum cooler 38-48-ALL-30(Ver. A) (black)	AL6063	1
4	YW64050300000	Hexagonal nut GB/T6170 M5-Longzinc		4
3	SEC-500H-ALL-01	Electrical component installation plate	SECC15	1
2	YW670406000600	Cross recessed pan head self-tapping screw GB8183 M4-Longzinc		2
1	BL22080000220	Breaker fixed plate 22L-4065-145(buss screw)	SPCC10	1

23	YE90530800400	Hexagonal nut M4x1.6 with top 20° 200mm GB 6170		1
22	YW67061500600	Cross recessed pan head tapping screw GB8183 M6-Longzinc		4
21	SEC-500H-ALL-02	Adaptor flange	SPCC2.0	1



制图	版号	标题	图号	比例	1:4	数量	1
设计	核准	控制箱组件	SEC-500H-ALL	材质			
校对				表面要求			
标记	更改前	更改后	更改人	日期	审核	日期	

SHINI 信易电热机械股份有限公司
Shini Plastics Technologies, Inc.

物料号	
-----	--