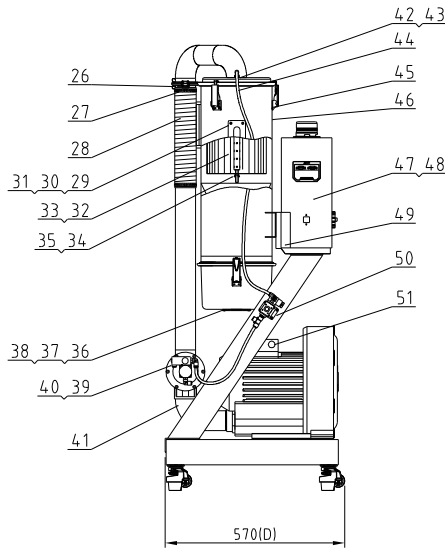
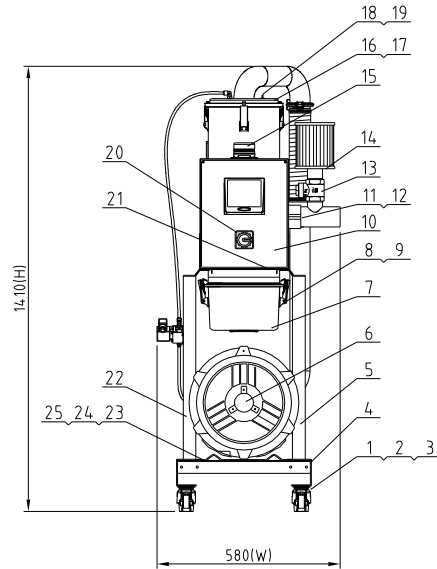


机器零件图与零件材料明细表 SAL-5HP-UG

机型版本号: Ver.D



47	Control box	SECC15	1	
46	Filter hopper assembly	Assembly	1	
45	YW69050100000	Open-type flat round head blind rivet GB/T12918 4x6		6
44	YR60000800000	PU air pipe $\Phi 8 \times \Phi 6$ black 100M/roll*		18m
43	BH13033000810	Reverse cleaning pipe nozzle SAL-330-A-08	6061	1
42	YW80083800200	L thread connector APL8-03 3/8- $\Phi 8$	Assembly	1
41	Air inlet pipe	SUS201	1	
40	Vacuum breaking diaphragm valve pipe	SUS201	1	
39	BY20005000200	Vacuum breaking diaphragm valve SVBV-50024 VACU	Assembly	1
38	YW62041200000	Large cross socket flat head screw M6x12		4
37	YR10243600000	Suction pipe round fastener SAL-24U/36U*	Rubber	1
36	BL26000500220	Transparent filter hopper baffle	SUS201	1
35	YW66082200100	Large washer C grade GB/T190818 4x24x21-Longzine		1
34	YW69051600000	Wing nuts 5/16"		1
33	Filter fixing plate	SECC2 0	1	
32	YR50181100000	Filter ADC2 rubber fastener ISM0-1000M-A-ALL-09H	Assembly	1
31	BW09000030440	Acrylic four-hole iron sheet	Q235A	1
30	YR40001200100	Acrylic four-hole material PC*	PC	1
29	YR40000400000	Sight glass fastener four hole x	Rubber	1
28	YR60002500000	Steel wired plastic pipe 2.5" (PUR355)*	PUR355	0.3m
27	YW02007600000	Steel wire pipe 76mm		2
26	Air suction pipe	Assembly	1	
25	YW64101100000	Hex nut M10 anti-loose		4
24	YW66103200000	Large washer A grade GB/T196 W10x50x2.5x1.5-Longzine		4
23	YW61102000000	Inner hexagon cylinder screw GB/T1701 M10x20-12.9-Longzine		4
22	Left column	Assembly	1	
21	BL50135000020	Wire fixture fixed plate PG135 SG-S-01	SPCC2 0	1
20	YE10021160000	Main power switch TD-2-1/EA/SVB/20A(EATON)	Assembly	1
19	YR20002500300	Stainless steel clamp seal ring 2.5" x	Silica gel	1
18	YW07002501600	Stainless steel stamping clamp 2.5" x	Assembly	1
17	YR10080000300	Filter barrel fastener SAL-810G-A-03 rubber 1w1e1e	Rubber	2
16	Filter hopper cover assembly	Assembly	1	
15	BL9000011520	Three color alarm light (red, yellow, green, buzzer) RC/BC24*	Assembly	1
14	YR50128200000	Suction box filter SP-F ext. 128x28x148*	Assembly	1
13	YW59150000000	Check valve 1.5" (copper)	Assembly	1
12	BW20002002050	Aluminum pipe coupler 2"	Assembly	1
11	Three way pipe	SUS201	1	
10	Control box cover plate	SPCC15	1	
9	YW69041200900	Open-type flat round head blind rivet GB/T12918 4x2		4
8	YW02003000400	Adjustable spring buckle SAL-6U-A-35*	Assembly	5
7	YL22081000100	Transparent filter barrel SAL-810G-A-05(Ver.B)	Transparent PC	1
6	BM30055000050	Shini blower RB-550*	Assembly	1
5	Right column	Assembly	1	
4	Base	SPCC3 0	1	
3	YW03004000100	Fuma wheel GD-40F black	Assembly	4
2	YW65006000100	Standard spring washer GB/T193 6-Longzine		16
1	YW67061500600	Cross socket head tapping screw M6x15		16

Tech. Req.

1. Main performance parameters.

- a. The output of SAL-5HP-UG is 1000kg/hr (the data is obtained under the test standard of materials' bulk density in diameter of 0.65kg/L, plastic particle diameter 3-5m, vertical height of 4 m, and horizontal distance of 5m).
- b. Conveying pipe diameter: 2inch, suction air pipe diameter: 2inch.
- c. SAL-5HP-UG host unit weight is 74KG.
- d. SAL-5HP-UG high pressure blower power is 3.75 (3 $\Phi$ ) kW.
- e. Pneumatic working pressure 0.4-0.8MPa.

2. "\*" indicates the items that may be damaged.

"\*\*" indicates the items that are more likely to be damaged. It is recommended to back them up.

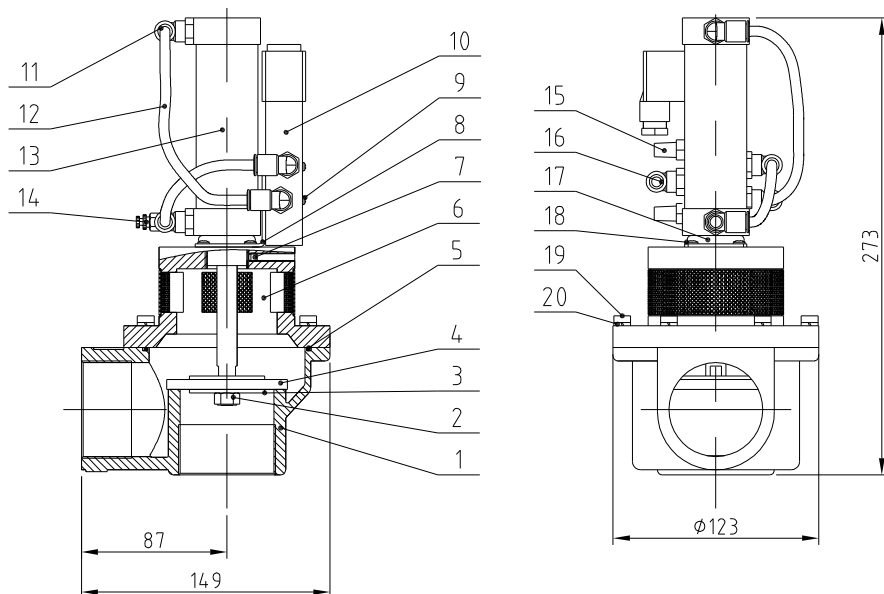
Please confirm the version number of the instruction manual before placing an order to purchase spare parts, so as to ensure that the material number of spare parts is consistent with the physical one.

51	Copper connector	H58	1		4						
50	Filter spray valve assembly	Assembly	1		3	YW03004000100	Fuma wheel GD-40F black	Assembly	4		
49	Filter barrel fixed frame	SPCC30	1		2	YW65006000100	Standard spring washer GB/T193 6-Longzine		16		
48	Control bottom plate	SECC15	1		1	YW67061500600	Cross socket head tapping screw M6x15		16		
No.	Material number	Name	Mat.	Num.	Remarks	No.	Material number	Name	Mat.	Num.	Remarks

					制图		版号	标题	SAL-5HP-UG	图号	SAL-5HP-UG-ALL	比例	1:15	数量	1
					设计		核准		欧化分离式真空填料机				材质	Assembly	
					校对							表面要求			
标记	更改前	更改后	更改人	日期	审核		日期		信易电热机械股份有限公司	Shini Plastics Technologies, Inc.	物料号				

附：SVBV-50 装配图与装配材料明细表(BY20005000200)

机型版本号: Ver.B



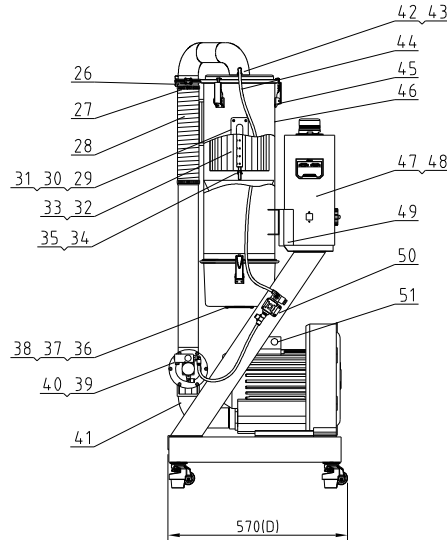
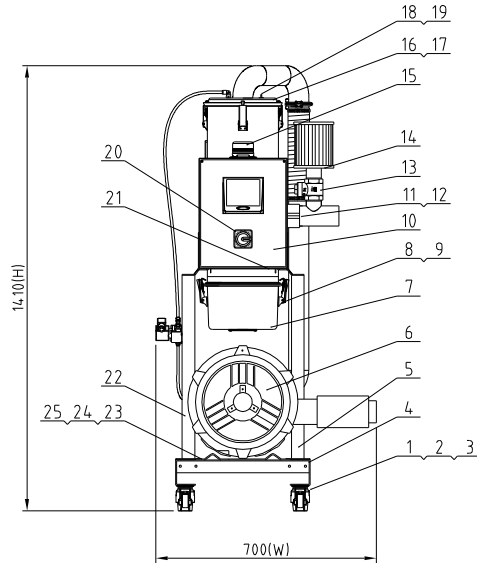
“\*”Indicates the items that may be damaged; “\*\*” indicates the items that are more likely to be damaged. It is recommended to back them up. Please confirm the version number of the instruction manual before placing an order to purchase spare parts, so as to ensure that the material number of spare parts is consistent with the physical one.

20	YW65006000100	Standard spring washer GB/T93 6-Longzine		6	
19	YW61062500000	Inner hexagon cylinder screw GB/T70 1 M6x25- A2-70(SUS)		6	
18	YW63040600000	Cross recessed pan head screw M4x6		4	
17	YR20305000000	O type seal ring $\phi 30 \times \phi 5$	Rubber	1	
16	YW80081800100	L thread connector APL8-01 1/8- $\phi 8$	Assembly	1	
15	YW80010800000	Copper muffler 1/8"(has mould)	Assembly	2	
14	YW80061800000	Adjustable air pipe connector ASL6-1/8	Assembly	1	
13	YE31326000100	Cylinder MBL32x60U(Air TAC) *	Assembly	1	
12	YR60000600400	PU air pipe $\phi 6$ black 200m/roll	PU	0.3m	
11	YW80061800200	L thread connector APL6-01 1/8- $\phi 6$	Assembly	3	
10	YE32421600100	Solenoid valve 4V210-06/AC24V *	Assembly	1	
9	YW63042500000	Cross recessed pan head screw GB/T-818 M4x25-Longzine		2	
8	BL20380500020	Solenoid valve fixed piece SPDV-38-ALL-05	SPCC20	1	
7	YW68005500000	Inner hex flat end lock screw GB/T77 M5x5-Longzine		1	
6	BW20500100010	Upper cover SVBV-50-ALL-01	Assembly	1	
5	YR20259800000	Rubber O type seal ring 2.5x98 *	Rubber	1	
4	BR10651200040	4-way valve diaphragm 65x12x8mm plastic covered (has mould) *	Assembly	1	
3	BL90201870020	Gasket SPDV -63-A-03(SUS201)		2	
2		Hex nut M10x125		1	Come with Cylinder
1	BW20001501210	Lower cover SPDV-50-ALL-02 white	ZL101	1	
No.	Material number	Name	Mat	Num	Remarks

					制图	版号	标题	图号	比例	1:4	数量	1
					设计	核准	SVBV-50	SVBV-50-ALL		材质	Assembly	
				校对			破真空分离阀					
标记	更改前	更改后	更改人	日期	审核	日期	信易电热机械股份有限公司 Shini Plastics Technologies, Inc.			表面要求		
										物料号		

机器零件图与零件材料明细表 SAL-5HP-UG-D

机型版本号: Ver D



Tech. Req:

1. Main performance parameters:

- a. The output of SAL-5HP-UG-D is 1125kg/hr (the data is obtained under the test standard of materials' bulk density in diameter of 0.65kg/L, plastic particle diameter 3-5m, vertical height of 4 m, and horizontal distance of 5m)
- b. Conveying pipe diameter: 2inch, suction air pipe diameter: 2inch,
- c. SAL-5HP-UG-D host unit weight is 76KG,
- d. SAL-5HP-UG-D high pressure blower power is 3 (3φ) kW,
- e. Pneumatic working pressure 0.4-0.8MPa.

2. "\*"Indicates the items that may be damaged.

"\*\*" indicates the items that are more likely to be damaged.  
It is recommended to back them up.

Please confirm the version number of the instruction manual before placing an order to purchase spare parts, so as to ensure that the material number of spare parts is consistent with the physical one.

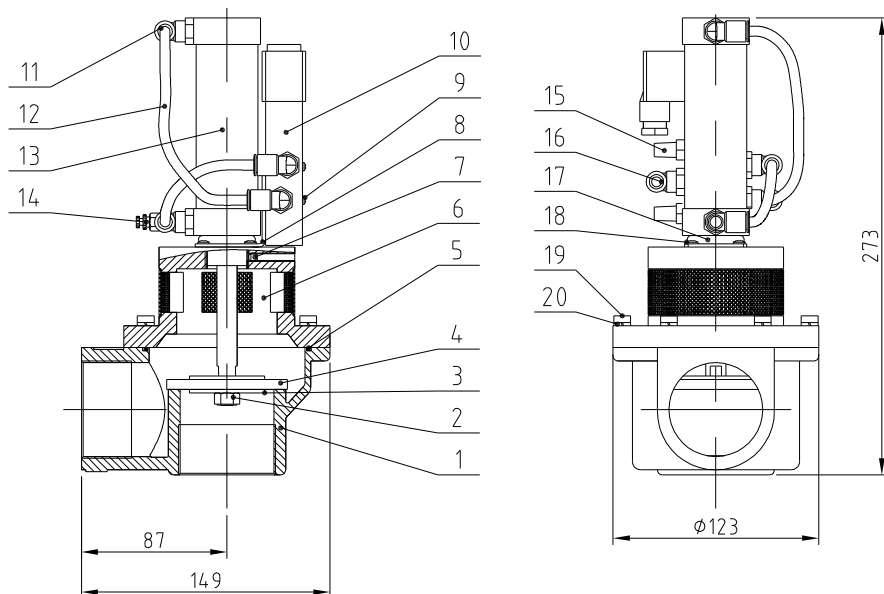
47	Control box	SECC15	1	
46	Filter hopper assembly	Assembly	1	
45	YW69050100000	Open-type flat round head blind rivet GB/T12198 4x5		6
44	YR60000800000	PU air pipe Φ8-Φ6 black 100M/roll*		18m
43	BH13033000810	Reverse cleaning pipe nozzle SAL-330-A-08	6061	1
42	YW80083800200	L thread connector APL8-03 3/8-Φ8	Assembly	1
41	Air inlet pipe	SUS201	1	
40	Vacuum breaking diaphragm valve pipe	SUS201	1	
39	BY20005000200	Vacuum breaking diaphragm valve SVBx-S02xVA3(Ver.B)	Assembly	1
38	YW62041200000	Large cross socket flat head screw M4x12		4
37	YR10243600000	Suction pipe round fastener SAL-24U/36U*	Rubber	1
36	BL26000500220	Transparent filter hopper baffle	SUS201	1
35	YW66082200100	Large washer C grade GB/T96818 4x2x21-Longzine		1
34	YW69051600000	Wing nuts 5/16"		1
33	Filter fixing plate	SECC2.0	1	
32	YR50181100000	filter ADC2 rubber fastener (SMD-1000H-A-ALL-09)	Assembly	1
31	BW09000030440	Acrylic four-hole iron sheet	Q235A	1
30	YR40001200100	Acrylic four-hole material PC*	PC	1
29	YR40000400000	Sight glass fastener four hole *	Rubber	1
28	YR60002500000	Steel wired plastic pipe 2.5" (PUR355)*	PUR355	0.3m
27	YW02007600000	Steel wire pipe 76mm		2
26	Air suction pipe	Assembly	1	
25	YW64101100000	Hex nut M10 anti-loose		4
24	YW66103200000	Large washer A grade GB/T96 100x5x3x2.5-Longzine		4
23	YW61102000000	Inner hexagon cylinder screw GB/T701 M10x20-12.9-Longzine		4
22	Left column	Assembly	1	
21	BL50135000020	Wire fixture fixed plate PG13.5 SG-S-01	SPCC2.0	1
20	YE10021160000	Man power switch TD-2-1EA/SVB/20A(EATON)	Assembly	1
19	YR20002500300	Stainless steel clamp seal ring 2.5"*	Silica gel	1
18	YW07002501600	Stainless steel stamping clamp 2.5"*	Assembly	1
17	YR10080000300	Filter barrel fastener SAL-810G-A-03(Ver.A) Rubber*	Rubber	2
16	Filter hopper cover assembly	Assembly	1	
15	BL9000011520	Three color alarm light (red, yellow, green, buzzer) AC/DC24V*	Assembly	1
14	YR50128200000	Suction box filter SP-F ext. 128x28x148*	Assembly	1
13	YW59150000000	Check valve 1.5" (copper)	Assembly	1
12	BW20002002050	Aluminum pipe coupler 2"	Assembly	1
11	Three way pipe	SUS201	1	
10	Control box cover plate	SPCC15	1	
9	YW69041200900	Open-type flat round head blind rivet GB/T12198 4x12		4
8	YW02003000400	Adjustable spring buckle SAL-6U-A-35*	Assembly	5
7	YL22081000100	Transparent filter barrel SAL-810G-A-05(Ver.B)*	Transparent PC	1
6	YM30252000100	Shipping Wrench ZHBS20H46 *	Assembly	1
5	Right column	Assembly	1	
4	Base	SPCC3.0	1	
3	YW03004000100	Fuma wheel GD-40F black	Assembly	4
2	YW65006000100	Standard spring washer GB/T93 6-Longzine		16
1	YW67061500600	Cross socket head tapping screw M6x15		16

51	Copper connector	H58	1		4						
50	Filter spray valve assembly	Assembly	1		3						
49	Filter barrel fixed frame	SPCC3.0	1		2						
48	Control bottom plate	SECC15	1		1						
No.	Material number	Name	Mat	Num.	Remarks	No.	Material number	Name	Mat	Num.	Remarks

				制图	版号	标题	SAL-5HP-UG-D	图号	SAL-5HP-UG-D-ALL	比例	1:15	数量	1
				设计	核准	欧化分离式真空填料机						材质	Assembly
				校对		SHINI		信易电热机械股份有限公司		表面要求			
				审核		Shini Plastics Technologies, Inc.				物料号			
标记	更改前	更改后	更改人	日期	审核	日期							

附：SVBV-50 装配图与装配材料明细表(BY20005000200)

机型版本号: Ver.B

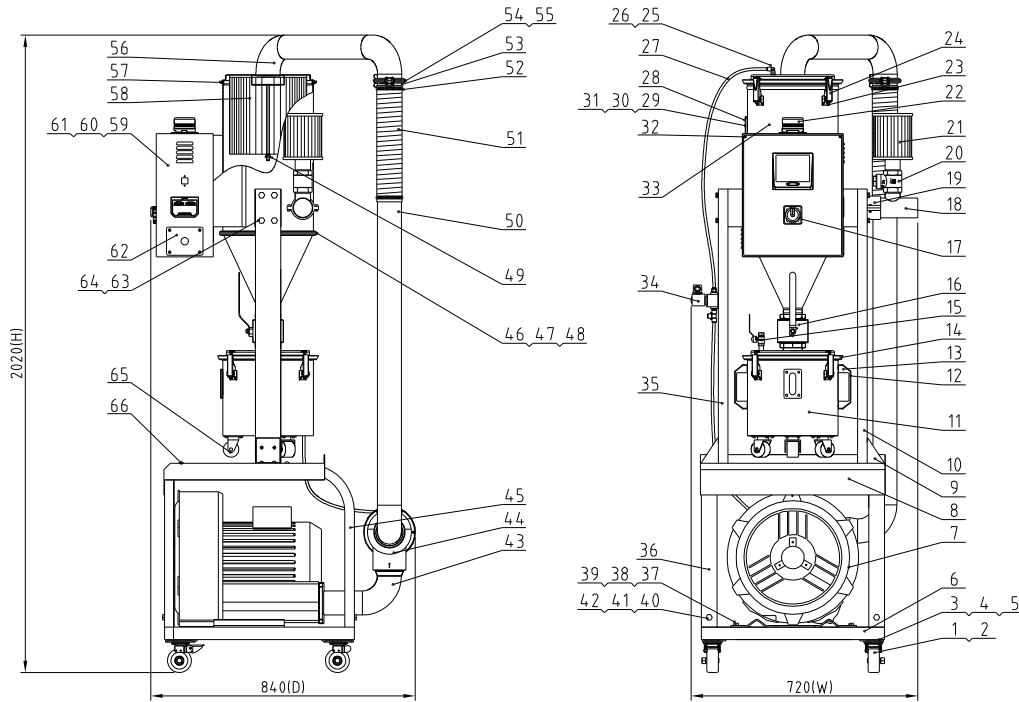


“\*”Indicates the items that may be damaged; “\*\*” indicates the items that are more likely to be damaged. It is recommended to back them up. Please confirm the version number of the instruction manual before placing an order to purchase spare parts, so as to ensure that the material number of spare parts is consistent with the physical one.

20	YW65006000100	Standard spring washer GB/T93 6-Longzine		6	
19	YW61062500000	Inner hexagon cylinder screw GB/T70 1 M6x25- A2-70(SUS)		6	
18	YW63040600000	Cross recessed pan head screw M4x6		4	
17	YR20305000000	O type seal ring $\phi 30 \times \phi 5$	Rubber	1	
16	YW80081800100	L thread connector APL8-01 1/8- $\phi 8$	Assembly	1	
15	YW80010800000	Copper muffler 1/8"(has mould)	Assembly	2	
14	YW80061800000	Adjustable air pipe connector ASL6-1/8	Assembly	1	
13	YE31326000100	Cylinder MBL32x60U(Air TAC) *	Assembly	1	
12	YR60000600400	PU air pipe $\phi 6$ black 200m/roll	PU	0.3m	
11	YW80061800200	L thread connector APL6-01 1/8- $\phi 6$	Assembly	3	
10	YE32421600100	Solenoid valve 4V210-06/AC24V *	Assembly	1	
9	YW63042500000	Cross recessed pan head screw GB/T-818 M4x25-Longzine		2	
8	BL20380500020	Solenoid valve fixed piece SPDV-38-ALL-05	SPCC20	1	
7	YW68005500000	Inner hex flat end lock screw GB/T77 M5x5-Longzine		1	
6	BW20500100010	Upper cover SVBV-50-ALL-01	Assembly	1	
5	YR20259800000	Rubber O type seal ring 2.5x98 *	Rubber	1	
4	BR10651200040	4-way valve diaphragm 65x12x8mm plastic covered (has mould) *	Assembly	1	
3	BL90201870020	Gasket SPDV -63-A-03(SUS201)		2	
2		Hex nut M10x125		1	Come with Cylinder
1	BW20001501210	Lower cover SPDV-50-ALL-02 white	ZL101	1	
No.	Material number	Name	Mat	Num	Remarks

					制图	版号	标题	图号	比例	1:4	数量	1
					设计	核准	SVBV-50	SVBV-50-ALL		材质	Assembly	
				校对			破真空分离阀					
标记	更改前	更改后	更改人	日期	审核	日期	信易电热机械股份有限公司 Shini Plastics Technologies, Inc.			表面要求		
										物料号		

机器零件图与零件材料明细表SAL-10HP-UG



机型版本号: Ver D

47	Bundle ring combination	Assembly	1		
46	Filter hopper (lower)	Assembly	1		
45	Bracket first Assembly	SPCC2.0	1		
44	BY20007600100	Vacuum breaking diaphragm valve SVBV-76/2-VACI(Ver B)	Assembly	1	
43	Air inlet pipe	SUS201	1		
42	YW65008000100	Standard spring washer GB/T93 8-Longzine		12	
41	YW66081600000	Flat washer A grade GB/T93 118 4-16-1 8L-Longzine		20	
40	YW60081600100	Hexagon bolt GB/T5781 M6x16-4.8-Longzine		4	
39	YW66103200000	Large washer A grade GB/T96 10/10 5x30x2.5-Longzine		4	
38	YW64101100000	Hex nut M10 anti-loose (thickness: 11mm)		4	
37	YW61105000000	Inner hexagon cylinder screw GB/T701 M10x5-12 9-Longzine		4	
36	Bracket second Assembly	SPCC2.0	1		
35	Filter barrel Left column	SPCC3.0	1		
34	Filter spray valve assembly	Assembly	1		
33	Filter hopper (upper)	Assembly	1		
32	YW67050800000	Cross socket pan head self-tapping lock screw GB6560 M5-8 Longzine		2	
31	BW09000304.4	Acrylic four-hole iron sheet	O235A	2	
30	YR4.0001200100	Acrylic four-hole material PC	PC	2	
29	YR4.00004.00000	Sight glass fastener four hole	Rubber	2	
28	YW62051000100	Large cross socket flat head screw JIS1111 M5x10		8	
27	YR60000800000	PU air pipe Ø8*Ø6 black 100M/roll		2.3M	
26	BH13033000810	Reverse cleaning pipe nozzle SAL-330-A-Ø8	6061	1	
25	YW80081200000	L thread connector APL8-04 1/2-Ø8	Assembly	8	
24	YW020030004.00	Adjustable spring buckle SAL-6U-A-35*	Assembly	8	
23	YW690501000009	Open-type flat round head blind rivet GB/T 12618 4x6		16	
22	BL90000011520	Three color alarm light (red, yel, green, buzzer)	Assembly	1	
21	YR50128200000	Suction box filter SP-F ext 128x28x16*	Assembly	1	
20	YW59150000000	Check valve 15" (copper)	Assembly	1	
19	BW20002500050	Aluminum pipe connector 2.5"	Assembly	1	
18		Three way pipe	SUS201	1	
17	YE10323200000	Main power switch P11-32/EA/SVB 32A	Assembly	1	
16	YW50020000000	Copper core valve 2"	Assembly	1	
15	YW50041000000	Copper core valve 1/4" PT	Assembly	1	
14		Dust collection bin cover	Assembly	1	
13	YW61061601200	Inner hexagon cylinder screw GB/T701 M6x16-12.9-Longzine		4	
12	BW2001200004.0	Aluminum square handle L120	YL112	2	
11		Dust collection bin welding parts	SPCC15	1	
10		Filter barrel Right column	SPCC3.0	1	
9		Column support	SPCC2.0	2	
8		Middle plate	SPCC2.0	1	
7	YM30281000100	Rujiang blower ZHB810H26*	Assembly	1	
6		Base	SPCC3.0	1	
5	YW65006000100	Standard spring washer GB/T93 6-Longzine		16	
4	YW66061800000	Large washer A grade GB/T96 16-Longzine		16	
3	YW60061500100	Hexagon bolt GB/T5783 M6x16-12.9-Longzine		16	
2	YW03000300200	Free type universal casters 3"	Assembly	2	
1	YW03000300000	Brake universal casters 3"	Assembly	2	
No.	Material number	Name	Mat.	Nun.	Remarks

66	YW62061000000	Large cross socket flat head screw JIS1111 M6x10-Longzine		14	
65	YW03000200000	Black castor 2"	Assembly	3	
64	YW64080600000	Hexagonal nut GB/T6170 M8 Longzine		8	
63	YW60085000000	Hexagon bolt GB/T5783 M8x50-8.8-Longzine		8	
62	BL50135000020	Wire fixture fixed plate PG13.5 SG-5-01(thas mould)	SPCC2.0	1	
61	SAL-10HP-UG-ALL-12	Control bottom plate	SECC15	1	
60	SAL-10HP-UG-ALL-23	Control box cover plate	SPCC15	1	
59	SAL-10HP-UG-ALL-10	Control box	SPCC15	1	
58	YR50024.000000	Filter rod 244* inner 149* 250*	Assembly	1	
57	YR100287000000	Filter barrel fastener *	Rubber	2	
56	SAL-10HP-UG-ALL-05	Filter hopper cover assembly	Assembly	1	
55	YR200003000000	Stainless steel clamp seal ring 3"		1	
54	YW07000300300	Stainless steel punching clamp 3"	SUS304	1	
53	SAL-10HP-UG-D-ALL-09	Air suction pipe	Assembly	1	
52	YW02008900000	Steel wire pipe Ø9mm		2	
51	YR600003000000	Steel wired plastic pipe 3" (PUR355)*	PUR355	0.4M	
50		Vacuum breaking diaphragm valve connecting pipe	SUS201	1	
49	YW69051600000	Wing nuts 5/16"	O235	1	
48	YR10241300100	Large hopper fastener SHR-24U-A-13*	White silica gel	1	

Tech. Req.

1. Main performance parameters:

- a. The output of SAL-10HP-UG-D is 1600kg/hr (the data is obtained under the best standard of materials' bulk density in diameter of 0.65kg/L, plastic particle diameter 3-5m, vertical height of 4 m, and horizontal distance of 5m).
- b. Conveying pipe diameter: 2inch, suction air pipe diameter: 2inch.
- c. SAL-10HP-UG host unit weight is 160KG.
- d. High pressure blower power is 7.5 (30) kW.
- e. Pneumatic working pressure 0.4-0.8MPa.

2. "\*" Indicates the items that may be damaged.

"\*\*" indicates the items that are more likely to be damaged. It is recommended to back them up.

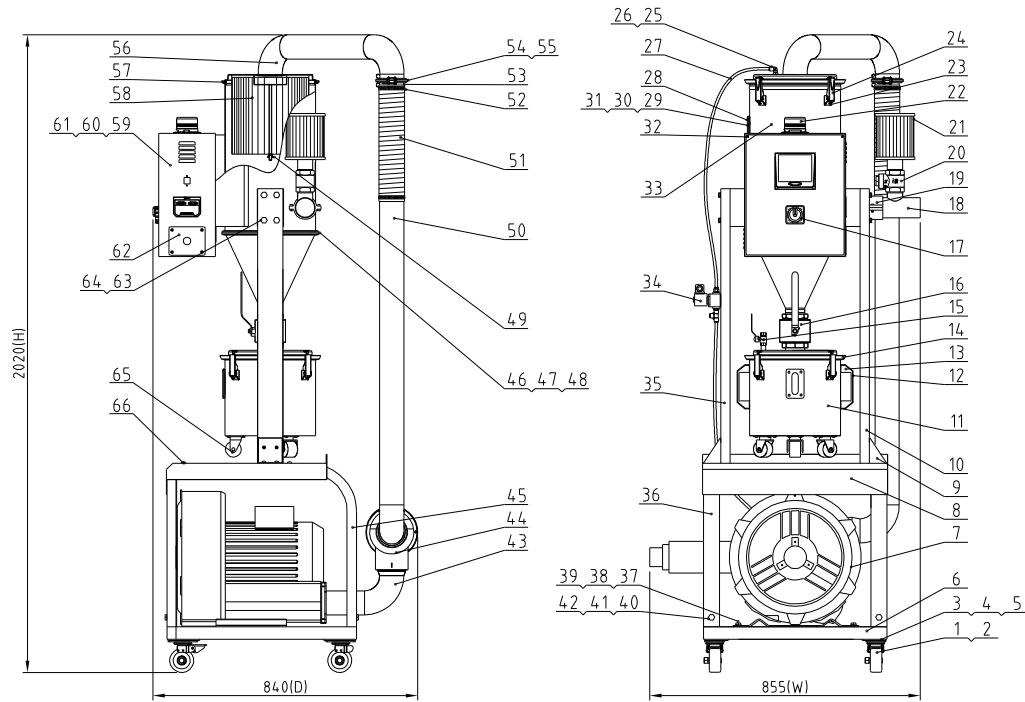
Please confirm the version number of the instruction manual before placing an order to purchase spare parts, so as to ensure that the material number of spare parts is consistent with the physical one.

制图	版号	标题	SAL-10HP-UG	图号	SAL-10HP-UG-ALL	比例	1:15	数量	1
设计	核准	欧化分离式真空填料机				表面要求		材质	Assembly
校对	日期	SHINI	信易电热机械股份有限公司			物料号			
标记	更改前	更改后	更改人	日期	审核	日期			



机器零件图与零件材料明细表SAL-10HP-UG-D

机型版本号: Ver D



47	Bundle ring combination	Assembly	1	Borrowed
46	Filter hopper (lower)	Assembly	1	Borrowed
45	Bracket first Assembly	SPCC2 0	1	Borrowed
44	BY20007600100	Vacuum breaking diaphragm valve SV8V-76I2VAC*	Assembly	1
43	Air inlet pipe	SUS201	1	
42	YW65008000100	Standard spring washer GB/T93 8-Longzine		12
41	YW66081600000	Flat washer A grade GB/T93 118 4-16-1 8I Longzine		20
40	YW60081600100	Hexagon bolt GB/T5781 M8x16-4 8-Longzine		4
39	YW66103200000	Large washer A grade GB/T96 1010 5x30x2 5I-Longzine		4
38	YW64101100000	Hex nut M10 anti-loose (thickness:1mm)		4
37	YW61105000000	Inner hexagon cylinder screw GB/T701 M10x50-12 9-Longzine		4
36		Bracket second Assembly	SPCC2 0	1 Borrowed
35		Filter barrel Left column	SPEC3 0	1 Borrowed
34		Filter spray valve assembly	Assembly	1 Borrowed
33		Filter hopper (upper)	Assembly	1 Borrowed
32	YW67050800000	Cross socket pan head self-tapping lock screw GB6560 M5-8 Longzine		2
31	BW090000304.4	Acrylic four-hole iron sheet	O235A	2
30	YR4.0001200100	Acrylic four-hole material PC*	PC	2
29	YR4.00004.00000	Sight glass fastener four hole *	Rubber	2
28	YW62051000100	Large cross socket flat head screw JIS1111 M5x10		8
27	YR60000800000	PU air pipe Ø8*Ø6 black 100M/roll*		2.3M
26	BH13033000810	Reverse cleaning pipe nozzle SAL-330-A-Ø8	6061	1
25	YW80081200000	L thread connector APL8-04 1/2-Ø8	Assembly	8
24	YW020030004.00	Adjustable spring buckle SAL-6U-A-35*	Assembly	8
23	YW690501000009	Open-type flat round head blind rivet GB/T 12618 4x6		16
22	BL90000011520	Three color alarm light (red, yel, green, buzzer)	Assembly	1
21	YR50128200000	Suction box filter SP-F ext 128x28-16*	Assembly	1
20	YW59150000000	Check valve 15" (copper)	Assembly	1
19	BW20002500050	Aluminum pipe connector 25"	Assembly	1
18		Three way pipe	SUS201	1 Borrowed
17	YE10323200000	Main power switch P1-32/EA/SVB 32A	Assembly	1
16	YW50020000000	Copper core valve 2"	Assembly	1
15	YW50041000000	Copper core valve 1/4" PT	Assembly	1
14		Dust collection bin cover	Assembly	1 Borrowed
13	YW61061601200	Inner hexagon cylinder screw GB/T701 M6x16-12 9-Longzine		4
12	BW20012000040	Aluminum square handle L120	YL112	2
11		Dust collection bin welding parts	SPEC15	1 Borrowed
10		Filter barrel Right column	SPEC3 0	1 Borrowed
9		Column support	SPEC2 0	2 Borrowed
8		Middle plate	SPCC2 0	1 Borrowed
7	YM30272000100	Ruiming blower 2HB120H56*	Assembly	1
6		Base	SPEC3 0	1 Borrowed
5	YW64012100000	Standard spring washer GB/T93 6-Longzine		16
4	YW66061800000	Large washer A grade GB/T96 16-Longzine		16
3	YW60061500100	Hexagon bolt GB/T5783 M6x16-12 9-Longzine		16
2	YW03000300200	Free type universal casters 3"	Assembly	2
1	YW03000300000	Brake universal casters 3"	Assembly	2

66	YW62061000000	Large cross socket flat head screw JIS1111 M6x10-Longzine		14
65	YW03000200000	Black castor 2"	Assembly	3
64	YW64080600000	Hexagonal nut GB/T6170 M8 Longzine		8
63	YW60085000000	Hexagon bolt GB/T5783 M8x50-8 8-Longzine		8
62	BL50135000020	Wire fixture fixed plate PG13 5 5G-5-01has mould)	SPCC2 0	1
61		Control bottom plate	SECC15	1 Borrowed
60		Control box cover plate	SPCC15	1 Borrowed
59		Control box	SPCC15	1 Borrowed
58	YR50024400000	Filter barrel 2"***	Assembly	1
57	YR10028700000	Filter barrel fastener *	Rubber	2 Borrowed
56		Filter hopper cover assembly	Assembly	1 Borrowed
55	YR20000300000	Stainless steel clamp seal ring 3"		1
54	YW07000300300	Stainless steel punching clamp 3"	SUS304	1
53		Air suction pipe	Assembly	1 Borrowed
52	YW02008900000	Steel wire pipe 89mm		2
51	YR60000300000	Steel wired plastic pipe 3"1PUR355*	PUR355	0.4M
50		Vacuum breaking diaphragm valve connecting pipe	SUS201	1 Borrowed
49	YW69051600000	Wing nuts 5/16"	O235	1
48	YR10241300100	Large hopper fastenerSHR-24U-A-13*	White silica gel	1

Tech. Req.

1. Main performance parameters.

a. The output of SAL-10HP-UG-D is 1600kg/hr (The data is obtained under the test standard of materials' bulk density in diameter of 0.65kg/L, plastic particle diameter 3-5mm, vertical height of 4 m, and horizontal distance of 5m).

b. Conveying pipe diameter: 2inch,suction air pipe diameter: 2inch.

c. SAL-10HP-UG-D host unit weight is 162KG.

d. SAL-10HP-UG-D high pressure blower power is 7.5 (3φ) kW.

e. Pneumatic working pressure:0.4-0.8MPa.

2. "\*"Indicates the items that may be damaged.

"\*\*" indicates the items that are more likely to be damaged

It is recommended to back them up.

Please confirm the version number of the instruction manual before placing an order to purchase spare parts, so as to ensure that the material number of spare parts is consistent with the physical one.

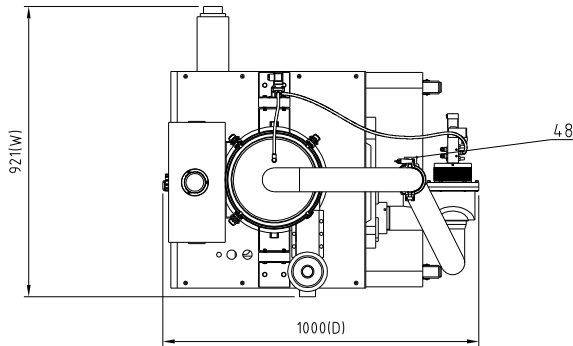
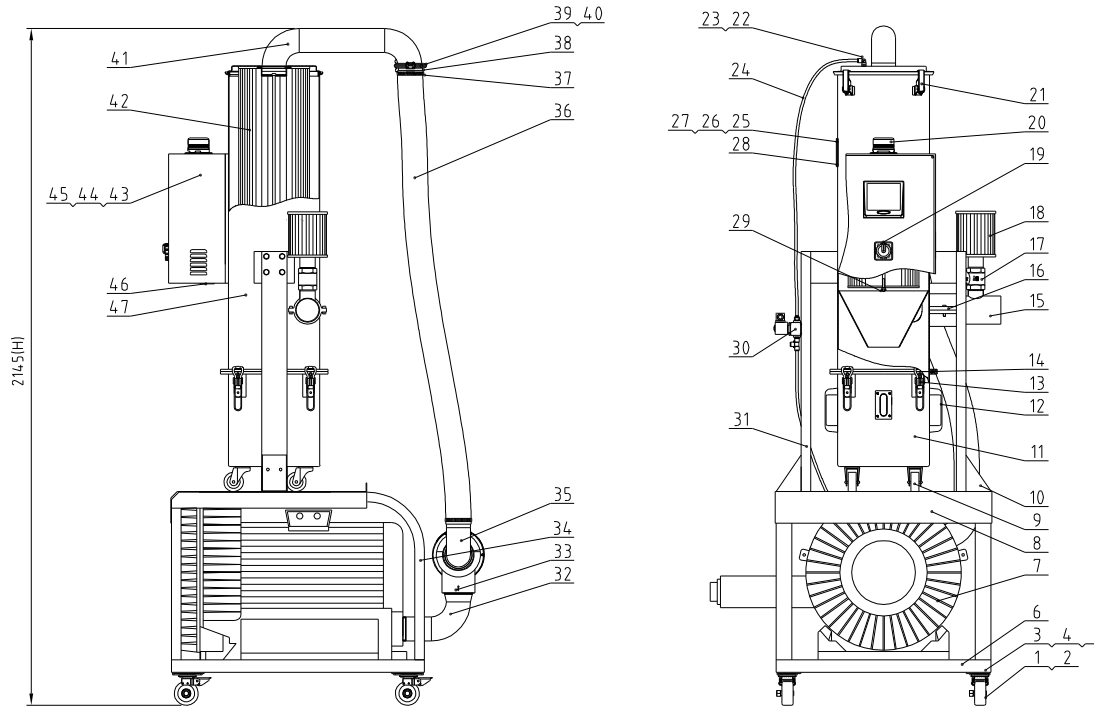
制图	版号	标题	SAL-10HP-UG-D	图号	SAL-10HP-UG-D-ALL	比例	1:15	数量	1
设计	核准	欧化分离式真空填料机		SAL-10HP-UG-D-ALL			材质	Assembly	
校对	日期	SHINI 信易电热机械股份有限公司		Shini Plastics Technologies, Inc.			表面要求		
标记	更改前	更改后	更改人	日期	审核	日期	物料号		





机器零件图与零件材料明细表SAL-20HP-UG-D

机型版本号: Ver E



Tech Req:  
 1 Main performance parameters:  
 a. The output of SAL-20HP-UG-D is 2000kg/hr (the data is obtained under the test standard of materials' bulk density in diameter of 0.65kg/L, plastic particle diameter 3-5m, vertical height of 4 m, and horizontal distance of 5m)  
 b. Conveying pipe diameter: 2.5inch, suction air pipe diameter: 3inch.  
 c. SAL-20HP-UG-D host unit weight is 236KG.  
 d. High pressure blower power is 11.0Dp1kW.  
 e. Pneumatic working pressure 0.4-0.8MPa.  
 2. "\*" indicates the items that may be damaged,  
 "\*\*" indicates the items that are more likely to be damaged  
 It is recommended to back them up  
 Please confirm the version number of the instruction manual before placing an order to purchase spare parts, so as to ensure that the material number of spare parts is consistent with the physical one

47	Filter hopper assembly	Assembly	1		
46	BL45000502120 Wire fixture fixed plate M25 SG-S-01	SPCC20	1		
45	Base plate of control box	SECC15	1		
44	Control box cover plate	SPCC15	1		
43	Control box	SPCC15	1		
42	YR50226000000 Filter φ225×φ145×600*	SPCC15	1		
41	Filter hopper cover assembly	Assembly	1		
40	YR20000300000 Stainless steel clamp seal ring 3"		1		
39	YW70000300300 Stainless steel punching clamp 3"	SUS304	1		
38	Air suction pipe	Assembly			
37	YW02003500000 Stainless steel pipe clamp 3.5"		2		
36	YR60303000000 Steel wired plastic pipe 3"		1	1.6m	
35	Vacuum breaking diaphragm valve pipe	SUS201	1		
34	Bracket welding drawing	SPCC20	2	pieces in total	
33	BY20007600100 Vacuum breaking diaphragm valve SVBY-76JZLVAE*	Assembly	1		
32	Air inlet pipe	SUS201	1		
31	Filter barrel column	SPCC20	2		
30	Filter spray valve assembly	Assembly	1		
29	YW69000800000 Butterfly nut 5/16"	Q235A	1		
28	YW62051000100 Large cross socket flat head screw JIS1111 M5x10-Longzine		8		
27	BW09000030440 Acrylic four-hole iron sheet	Q235A	2		
26	YR40001200100 Acrylic four-hole material PC*	PC	2		
25	YR40000400000 Sight glass fastener four hole*	Rubber	2		
24	YR60000800000 PU air pipe φ8-φ6 1100 *			2.5m	
23	BH13033000810 Reverse cleaning pipe nozzle SAL-330-A-08	6061	1		
22	YW80081200000 L thread connector APL8-04 1/2-08	Assembly	8		
21	YW02003000400 Adjustable spring buckle SAL-6U-A-35	Assembly	4		
20	BL90000011520 Three color alarm light (red, yellow, green, buzzer)*	Assembly	1		
19	YE10210300000 Main power switch	Assembly	1		
18	YR50128200000 Suction box filter ext 128*inner28*H 168 *	Assembly	1		
17	YW59150000000 Check valve 15" (copper)	Assembly	1		
16	BH80003010050 Stainless steel pipe coupler SPC-3"	Assembly	1		
15	Three way pipe	SUS201	1		
14	YE32051800100 Dust collective hopper fastener	Silica gel	1		
13	YW00121000400 Large handle (for SAL-20HP-UG-D)	Assembly	4		
12	BW20012000040 Aluminum square handle L120	YL112	2		
11	Dust collective hopper	SPCC15	1		
10	Column support	SPCC20	2		
9	YW03000200000 Black castor 2"	Assembly	3		
8	Middle plate	SPCC20	1		
7	YM30211000100 Ruojing blower 2HB820H36 11KW*	Assembly	1		
6	Base	SPCC30	1		
5	YW65006000100 Standard spring washer GB/193 6-Longzine		16		
4	YW660061300000 Flat washer A grade GB/19716-Longzine		16		
3	YW60061500100 Hexagon bolt GB/15783 M6x16-12.9-Longzine		16		
2	YW03000300200 Free type universal casters 3"	Assembly	2		
1	YW03000300000 Brake universal casters 3"	Assembly	2		

48	YW82000100000	Release value RV-02	Assembly	1			1	YW03000300000	Brake universal casters 3"	Assembly	2		
No.	Material number	Name	Mat.	Num.	Remarks	No.	Material number	Name	Mat.	Num.	Remarks		

				制图	版号	标题	SAL-20HP-UG-D	图号	SAL-20HP-UG-D-ALL	比例	1:15	数量	1	
				设计	核准	欧化分离式真空填料机				材质		Assembly		
				校对	日期	SHINI 信易电热机械股份有限公司		表面要求		物料号				
标记	更改前	更改后	更改人	日期	审核	日期								

