

Technical Requirement:

1.Main Parameters:

- a.Throughput:300kg/hr(the bulk density of the testing material 0.65kg/L);
- b.Machine power:3Φ,400VAC, 50Hz;
- c.High-pressure blower power:0.75kW.

2.Noises:

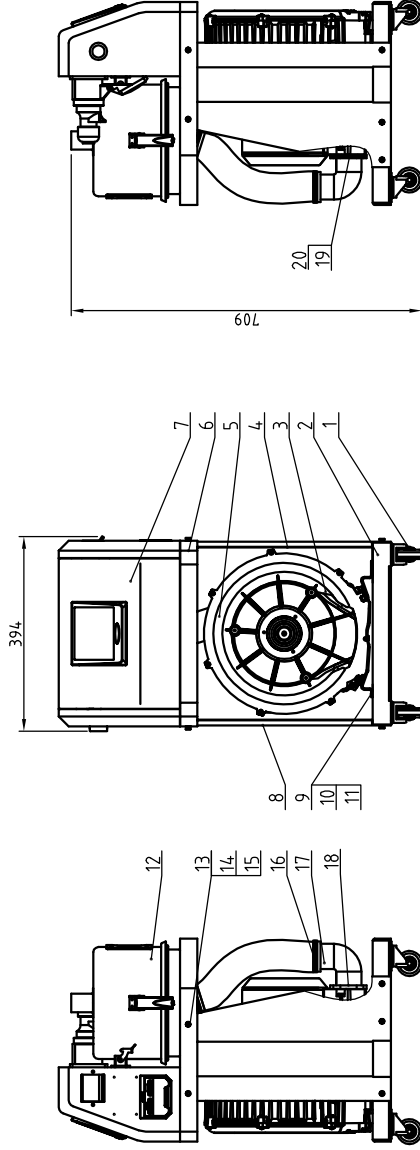
- a. When worked with photosensor hopper receiver SVH-6L, add "E" at the end of the mode code;
- b. When worked with vacuum hopper receiver SHR-6U, add "U" at the end of the mode code;
- c.All hoppers must use 4P heavy-duty connector;

20	SAL-810G-ALL-07	Foot pipe pressing screen	Q235	1	
19	SAL-810G-ALL-06	Foot pipe pressing screen piece	SPCC2.0	1	
18	YR10001000000	Motor suction port tightened THP	Rubber	1	
17	SAL-810G-ALL-05	Air suction pipe elbow	ABS	1	YR4.0004.700000
16	YW02002500000	Pipe clamp φ57	Assembly	2	
15	YW650006000100	Standard spring washer GB/T93 6-Longzine		10	
14	YW660613000000	Flat gasket A grade GB/T97.1 6-Longzine		10	
13	YW600615000100	Hexagon screw bolt GB/T5783 M6x10-4.8-Longzine		10	
12	SAL-810G-A-ALL	Filter assembly	Assembly	1	
11	YW650008000100	Standard spring washer GB/T93 8-Longzine		4	
10	YW66082200100	Large washer C grade GB/T9681(8.4x24x2)-Longzine		4	
9	YW600816000100	Hexagon screw bolt GB/T5781 M8x16-4.8-Longzine		4	
8	SAL-810G-ALL-03	Right side plate	SPCC2.0	1	
7	SAL-810G-B-ALL	Control box	Assembly	1	
6	SAL-810G-ALL-04	Fixed bracket	Assembly	1	
5	YR605007000100	Steel wire ext. PUR hose 2"	PUR	0.35m	
4	SAL-810G-ALL-02	Left side plate	SPCC2.0	1	
3	BN300310000150	Blower RB-310/HP3 230V/400V/50/60HZ black	Assembly	1	
2	SAL-810G-ALL-01	Base	SPCC2.0	1	
1	YW030002000000	Black castor 2"	Assembly	4	

No.	Part No.	Name	Material	Num.	Remarks
Title		Drawing No.	Remarks		
SAL-810G			1:10		
"Standard" Separate-vacuum Hopper Loader			Material		
			Surface		
			Material number		



Version	D	Version	
Approved by		Approved by	
20191223		20170331	
Ver.A	Ver.B	Ver.A	Ver.B
Before modification	After modification	Before modification	After modification
Modified by	Modified by	Modified by	Modified by
Checked by	Checked by	Checked by	Checked by
Proofread by	Proofread by	Proofread by	Proofread by
Designer	Designer	Designer	Designer
Drawer	Drawer	Drawer	Drawer



Technical Requirement:

1.Main Parameters:

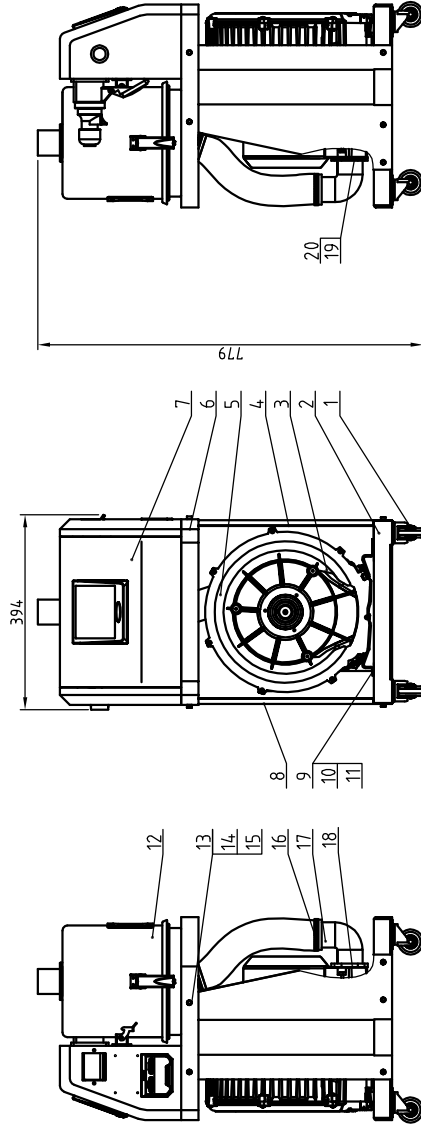
- a. Throughput: 500kg/hr(the bulk density of the testing material:0.65kg/L);
- b. Machine power: Φ 400VAC,50Hz;
- c. High-pressure blower power:15kW.

2. Notes:

- a. When worked with photosensor hopper receiver SVH-12L, add "E" at the end of the mode code;
- b. When worked with vacuum hopper receiver SHR-12U, add " U " at the end of the mode code;
- c. All hoppers must use 4P heavy-duty connector;

20	SAL-820G-ALL-03	Foot pipe pressing screen piece	SPCC2.0	1	
19	SAL-820G-ALL-02	Foot pipe pressing screen	Q235	1	
18	YR10002000000	Motor suction port tightened ZHP	Rubber		
17	SAL-820G-ALL-01	Air suction pipe elbow	ABS	1	YR400200000000
16	YW02002500000	Pipe clamp Φ 57	Assembly	2	
15	YW65006000100	Standard spring washer GB/T93 6-Longzine		10	
14	YW66061300000	Flat washer A grade GB/T97.1 6-Longzine		10	
13	YW60061500100	Hexagon bolt GB/T5783 M6x10-4.8-Longzine		10	
12	SAL-810G-A-ALL	Filter assembly	Assembly	1	Borrowed
11	YW65008000100	Standard spring washer GB/T93 8-Longzine		4	
10	YW66082200100	Large washer C grade GB/T96816.4x24x2-Longzine		4	
9	YW60081600100	Hexagon screw bolt GB/T5781 M6x16-4.8-Longzine		4	
8	SAL-810G-ALL-03	Right side plate	SPCC2.0	1	Borrowed
7	SAL-810G-B-ALL	Control box	Assembly	1	Borrowed
6	SAL-810G-ALL-04	Fixed bracket	Assembly	1	Borrowed
5	YR60500700100	Steel wire ext. PUR hose 2"	PUR Φ 35mm		
4	SAL-810G-ALL-02	Left side plate	SPCC2.0	1	Borrowed
3	BM30042000050	Blower RB-420/2HP3 230V/400V/50/60HZ black	Assembly	1	
2	SAL-810G-ALL-01	Base	SPCC2.0	1	Borrowed
1	YW03000200000	Black castor 2"	Assembly	4	

No.	Part No.	Name	Material	Num.	Remarks
D	Title	Drawing No.	SAL-820G-ALL		
	SAL-820G "Standard" Separate-vacuum Hopper Loader				
Version	Approved by	Date	Surface		
			Material number		
Ver.A	Ver.B	20191223	①		
Before modification	After modification	Modify date	SHINI 信嘉塑料科技股份有限公司 Shini Plastics Technologies, Inc.		
Mark	Checked by	20170331			



Technical Requirement:

1. Main Parameters:

- a. Throughput: 650kg/hr (the bulk density of the testing material: 0.65kg/L);
- b. Machine power: 3Φ 4.00VAC, 50Hz;
- c. High-pressure blower power: 185kW.

2. Notes:

- a. When worked with photosensor hopper receiver SVH-24L, add "E" at the end of the mode code;
- b. When worked with vacuum hopper receiver SHR-24U, add "U" at the end of the mode code;
- c. All hoppers must use 4P heavy-duty connector;

No.	Part No.	Name	Material	Num.
20	SAL-820G-ALL-03	Foot pipe pressing screen piece	SPCC2.0	1 Borrowed
19	SAL-820G-ALL-02	Foot pipe pressing screen	Q235	1 Borrowed
18	YR10002000000	Motor suction port tightened ZHP	Rubber	1
17	SAL-820G-ALL-01	Air suction pipe elbow	ABS	1 YR4702000000 Borrowed
16	YW02002500000	Pipe clamp φ57	Assembly	2
15	YW65006000100	Standard spring washer GB/T93 6-Longzine		10
14	YW66061300000	Flat washer A grade GB/T97.1 6-Longzine		10
13	YW60061500100	Hexagon bolt GB/T5783 M6x10-4.8-Longzine		10
12	SAL-830G-A-ALL	Filter assembly	Assembly	1
11	YW65008000100	Standard spring washer GB/T93 8-Longzine		4
10	YW66082200100	Large washer C grade GB/T968(8.4x24x2)-Longzine		4
9	YW60081600100	Hexagon screw bolt GB/T5781 M8x16-4.8-Longzine		4
8	SAL-810G-ALL-03	Right side plate	SPCC2.0	1 Borrowed
7	SAL-810G-B-ALL	Control box	Assembly	1 Borrowed
6	SAL-810G-ALL-04	Fixed bracket	Assembly	1 Borrowed
5	YR60500700100	Steel wire ext. PUR hose 2"	PUR	0.35m
4	SAL-810G-ALL-02	Left side plate	SPCC2.0	1 Borrowed
3	BM30053000050	Blower RB-430 Small 3P/185KW/3Φ230V/20V50/60HZ black	Assembly	1
2	SAL-810G-ALL-01	Base	SPCC2.0	1 Borrowed
1	YW03000200000	Black castor 2"	Assembly	4

No.	Version	Drawer	Designer	Proffessed by	Checked by	Modify date	Modified by	After modification	Ver.	Before modification	Mark
D									Ver. A	Ver. B	01
				20191223							
						20170331					

Title		Drawing No.	Material
SAL-830G "Standard" Separate-vacuum Hopper Loader		SAL-830G-ALL	Surface
Proportion		1:10	Material number

