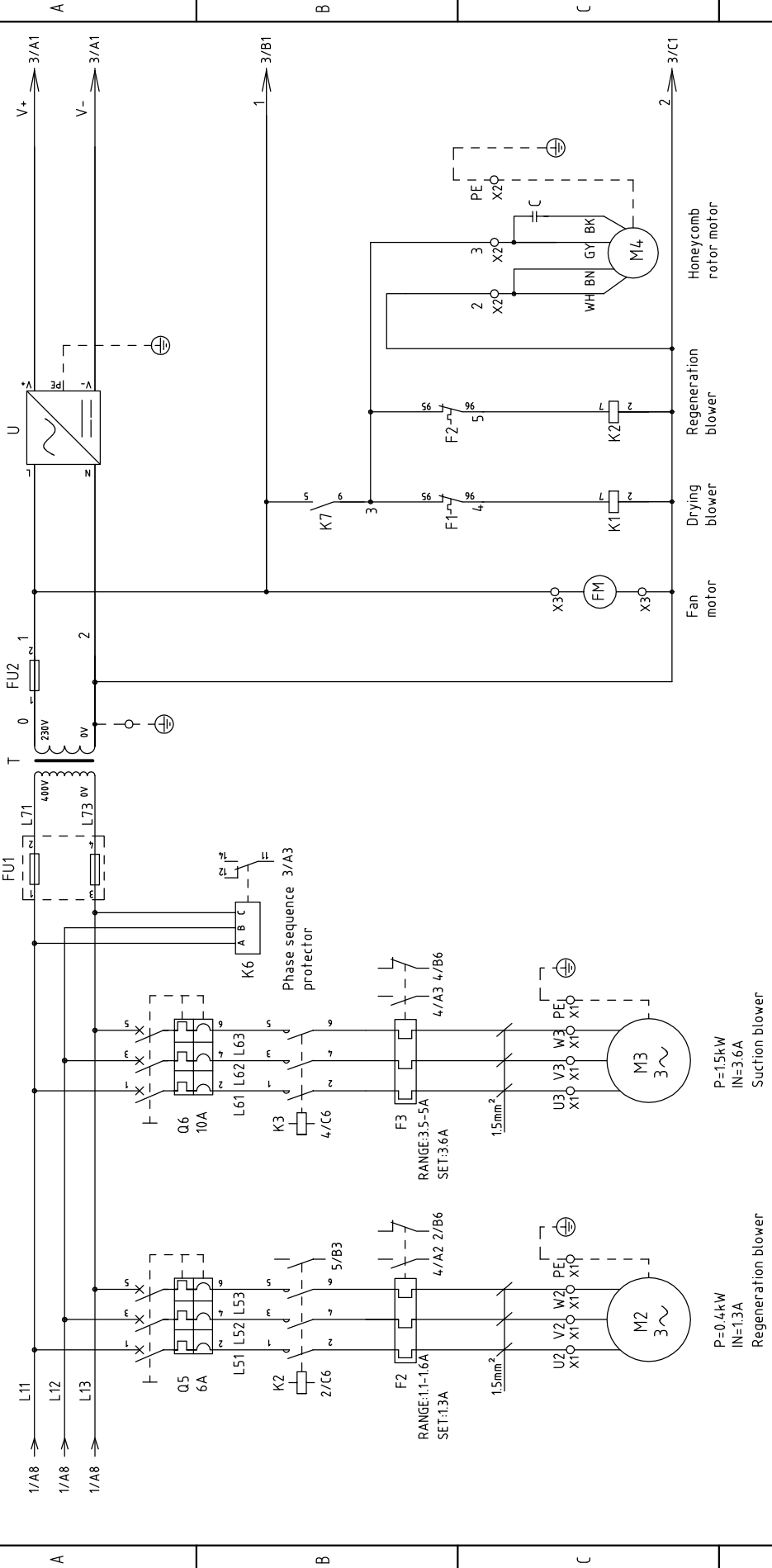


版本 Ver.C

|      |                     |             |          |      |          |            |             |         |   |       |                         |           |       |        |
|------|---------------------|-------------|----------|------|----------|------------|-------------|---------|---|-------|-------------------------|-----------|-------|--------|
| Mark | Before modification | Modified by | 20160816 | Date | 20160816 | Checked by | Approved by | Version | F | Title | Drawing NO.             |           | Scale | Page 1 |
|      | After modification  | Modified by | 20160816 |      |          |            |             |         |   |       | SCD-20U(40U/80U)/40H-LC |           |       |        |
|      |                     |             |          |      |          |            |             |         |   |       | CE                      | Pages     | 400V  | 50HZ   |
|      |                     |             |          |      |          |            |             |         |   |       | Standard                | Totally 9 | 400V  | 50HZ   |
|      |                     |             |          |      |          |            |             |         |   |       | CE                      | Pages     | 400V  | 50HZ   |
|      |                     |             |          |      |          |            |             |         |   |       | Standard                | Totally 9 | 400V  | 50HZ   |
|      |                     |             |          |      |          |            |             |         |   |       | CE                      | Pages     | 400V  | 50HZ   |
|      |                     |             |          |      |          |            |             |         |   |       | Standard                | Totally 9 | 400V  | 50HZ   |

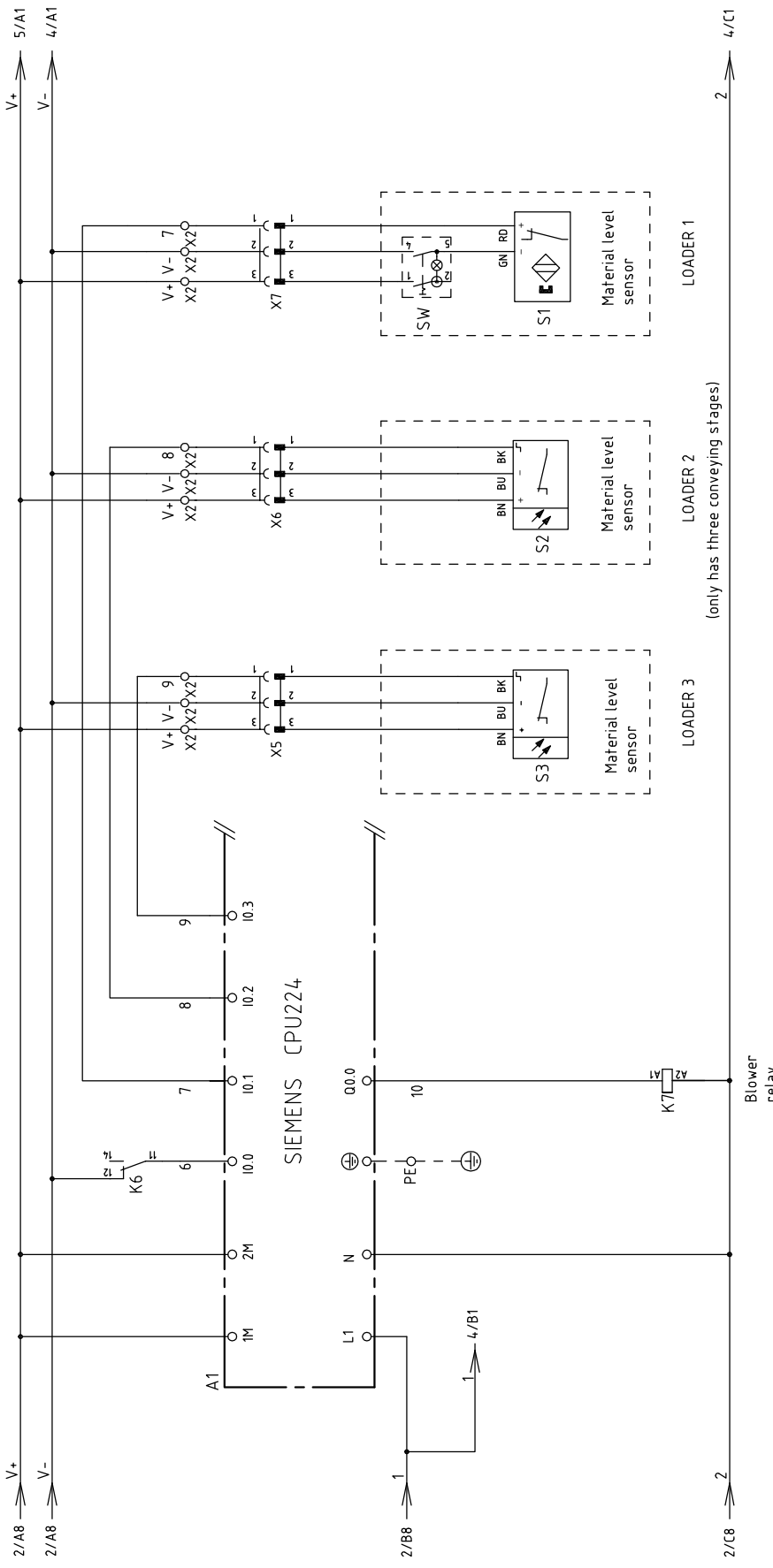




版本 Ver.C

|           |   |                     |             |             |            |          |          |
|-----------|---|---------------------|-------------|-------------|------------|----------|----------|
| D         | Mark  | Before modification | Modified by | Modify date | Checked by | Date     | 20160816 |
|           | After modification                                | Modified by         | Modify date | Checked by  | Date       | 20160816 |          |
| F         | Version   | Approved by         | Date        |             |            |          |          |
|           | Designer  | Proofread by        | Date        |             |            |          |          |
| Title     | SCD-20U(40U/80U)/4.0H-LC                          |                     |             |             |            |          |          |
|           | Electrical Diagram 2                              |                     |             |             |            |          |          |
| Scale     | Drawing NO. SCD-20U(40U/80U)/4.0H-LC-CE-4.00V-F-2 |                     |             |             |            |          |          |
|           | Standard  | CE                  | Voltage     |             |            |          | 400V     |
| Page      | Page 2  |                     | Totally 9   |             | Pages      |          |          |
|           | Standard  |                     | CE          |             | Frequency  |          |          |
| Voltage   |   | 400V                |             | Frequency   |            |          |          |
| Frequency |   | 50HZ                |             | 8           |            |          |          |

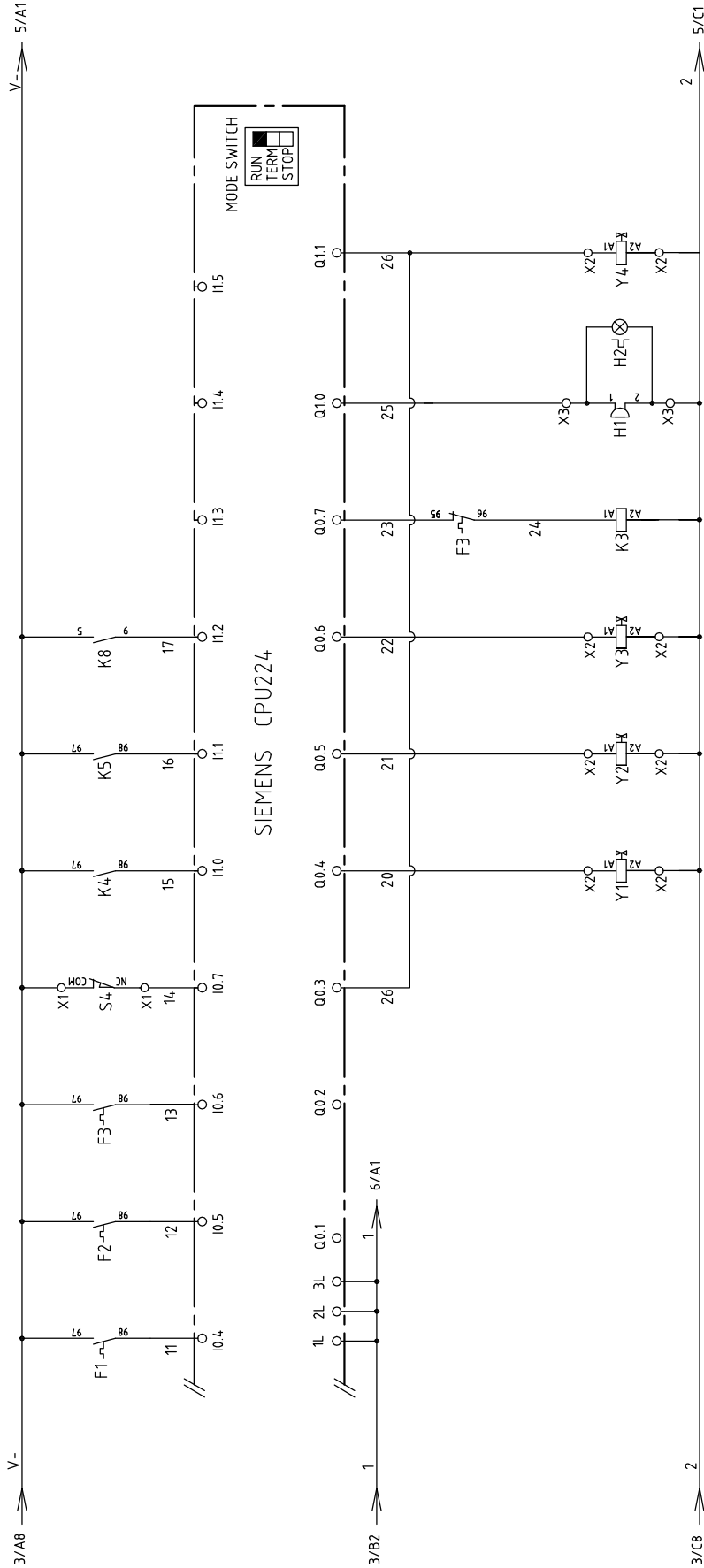




|      |                     |             |             |            |          |              |          |        |         |   |       |   |             |                                      |          |    |       |      |   |         |   |       |  |
|------|---------------------|-------------|-------------|------------|----------|--------------|----------|--------|---------|---|-------|---|-------------|--------------------------------------|----------|----|-------|------|---|---------|---|-------|--|
| Mark | Before modification | Modified by | Modify date | Checked by | Date     | Proofread by | Designer | Drawer | Version | F | Title | SCD-20U(40U/80U)/40H-LC<br>Electrical Diagram 3 | Drawing NO. | SCD-20U(40U/80U)/40H-LC-CE-4.00V-F-3 | Standard | CE | Scale | Page | 3 | Totally | 9 | Pages |  |
|      |                     |             |             |            | 20160816 |              |          |        |         |   |       |   |             |                                      |          |    |       |      |   |         |   |       |  |



|         |             |      |          |   |   |   |   |   |   |   |   |
|---------|-------------|------|----------|---|---|---|---|---|---|---|---|
| Version | Approved by | Date | 20160816 | 3 | 4 | 5 | 6 | 7 | 8 |   |   |
| 2/A8    | 2/A9        | 2/B8 | 1        | 1 | 2 | 3 | 4 | 5 | 6 | 7 | 8 |

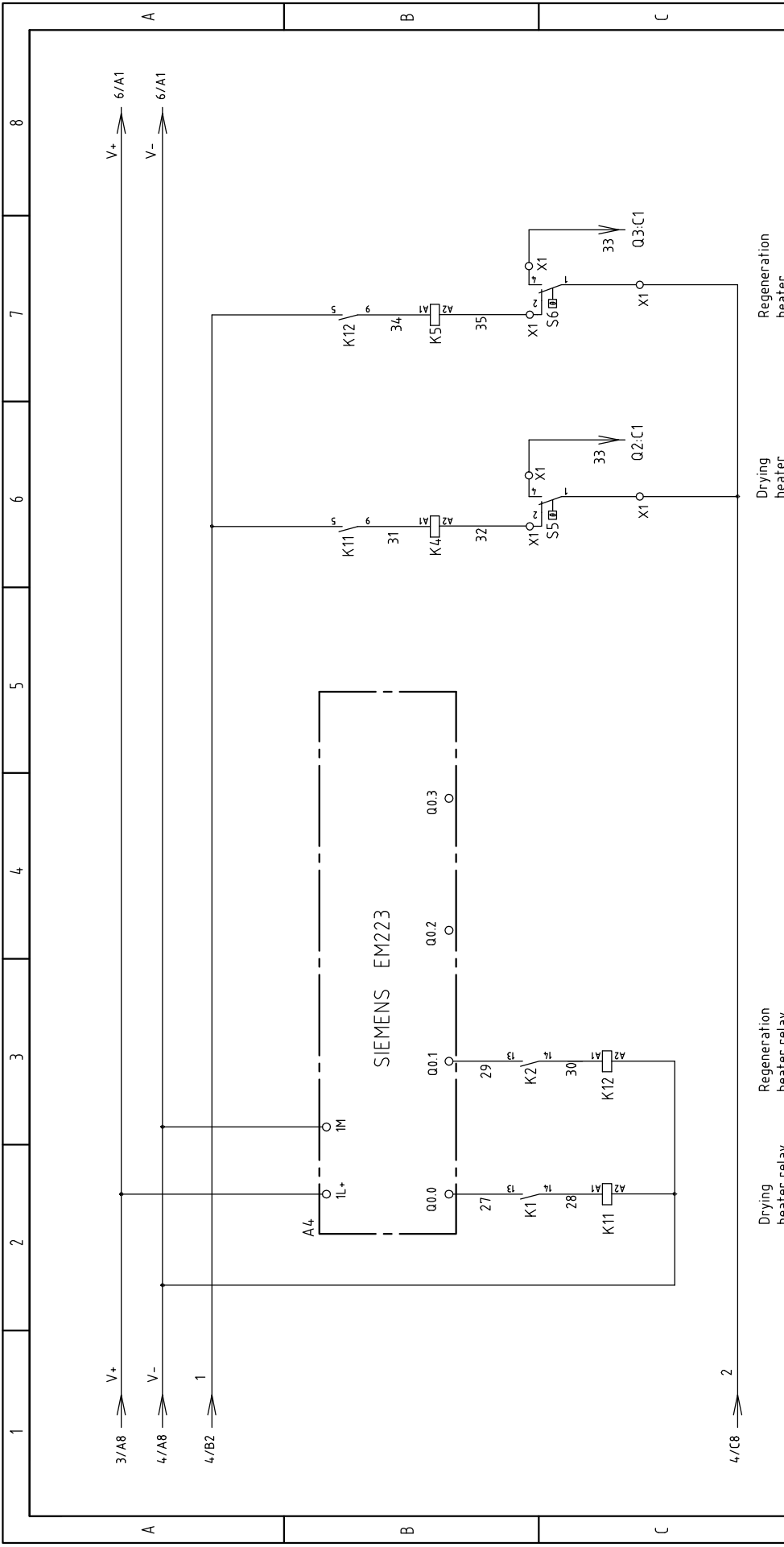


版本 Ver.C

|      |                     |             |             |             |         |   |  |                                       |             |    |           |      |
|------|---------------------|-------------|-------------|-------------|---------|---|--|---------------------------------------|-------------|----|-----------|------|
| Mark | Before modification | Modified by | Modify date | Approved by | Version | F | Title  |                                       | Drawing NO. |    | Scale     | Page |
|      |                     |             |             |             |         |   | SCD-20U(40U/80U)/4.0H-LC<br>Electrical Diagram 4 | SCD-20U(40U/80U)/4.0H-LC-CE-4.00V-F-4 | Standard    | CE | Totally   | 9    |
|      |                     |             |             |             |         |   |  |                                       |             |    | Voltage   | 400V |
|      |                     |             |             |             |         |   |  |                                       |             |    | Frequency | 50HZ |
| 1    | 2                   | 3           | 4           | 5           | 6       | 7 | 8  |                                       |             |    |           |      |

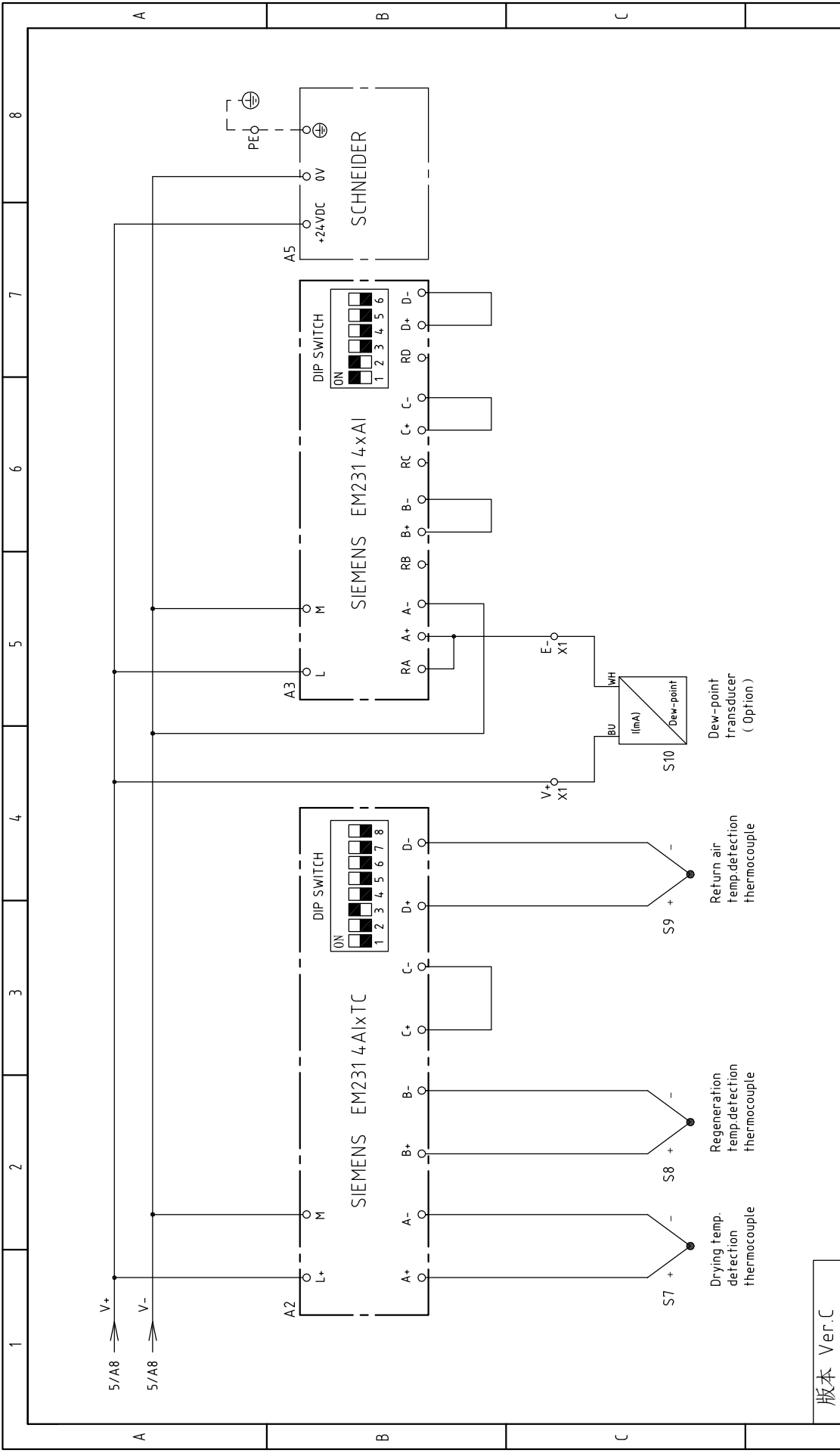


信易電熱機械股份有限公司  
Shini Plastics Technologies, Inc.



版本 Ver.C

|   |                     |             |             |         |   |       |                                      |    |           |      |
|---|---------------------|-------------|-------------|---------|---|-------|--------------------------------------|----|-----------|------|
| Mark  | Before modification | Modified by | Modify date | Version | F | Title | Drawing NO.                          |    | Page      | 5    |
|   | After modification  | Modified by | Modify date |         |   |       | Standard                             | CE | Totally   | 9    |
| SCD-20U(40U/80U)/4.0H-LC                          |                     |             |             |         |   |       | SCD-20U(40U/80U)/4.0H-LC-CE-4.0V-F-5 |    | Voltage   | 400V |
| Electrical Diagram 5                              |                     |             |             |         |   |       | SHINI                                |    | Frequency | 50HZ |
| 信易電熱機械股份有限公司<br>Shini Plastics Technologies, Inc. |                     |             |             |         |   |       |                                      |    |           |      |

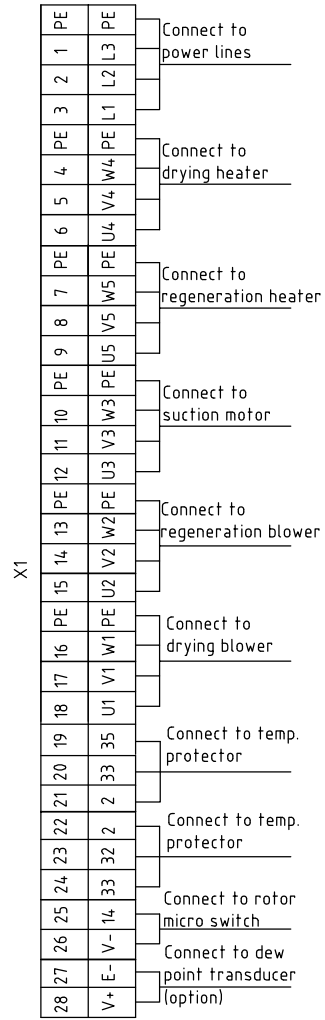
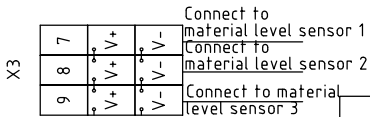
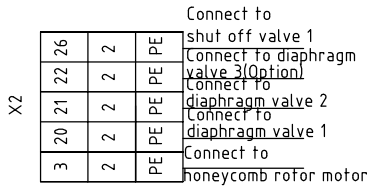
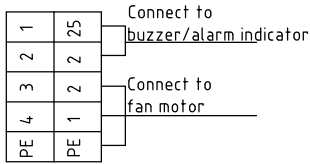
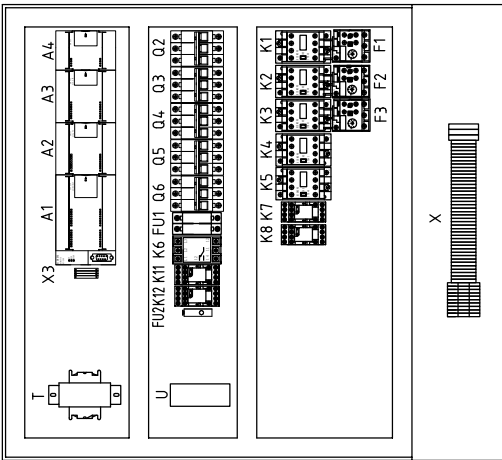
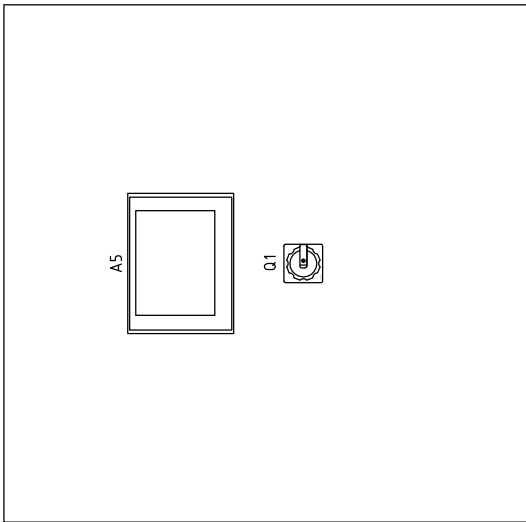


|             |              |                      |                                      |             |       |         |   |
|-------------|--------------|----------------------|--------------------------------------|-------------|-------|---------|---|
| Version     | F            | Title                | SCD-20U(40U/80U)/40H-LC              | Drawing NO. | Scale | Page    | 6 |
| Approved by |              | Electrical Diagram 6 | SCD-20U(40U/80U)/40H-LC-CE-4.00V-F-6 | Standard    | CE    | Totally | 9 |
| Date        | 20160816     | Voltage              | 400V                                 | Frequency   | 50HZ  | Pages   | 8 |
| SHINI       | 信易電熱機械股份有限公司 | SHINI                | Shini Plastics Technologies, Inc.    |             |       |         |   |

版本 Ver.C

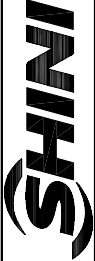
|      |                     |                    |             |             |            |          |
|------|---------------------|--------------------|-------------|-------------|------------|----------|
| Mark | Before modification | After modification | Modified by | Modify date | Checked by | Date     |
|      |                     |                    |             |             |            | 20160816 |

1 2 3 4 5 6 7 8



版本 Ver.C

|      |                     |   |      |             |         |   |       |                         |         |             |                                     |      |       |          |      |   |
|------|---------------------|---|------|-------------|---------|---|-------|-------------------------|---------|-------------|-------------------------------------|------|-------|----------|------|---|
| Mark | Before modification | 1 | Date | 20160816    | Version | F | Title | SCD-20U(40U/80U)/40H-LC |         | Drawing NO. | SCD-20U(40U/80U)/40H-LC-CE-400V-F-7 |      | Scale | Standard | Page | 7 |
|      | After modification  | 2 |      | Approved by |         |   |       | CE                      | Totally |             | 9                                   |      |       |          |      |   |
|      | Modify date         |   |      | Checked by  |         |   |       | Voltage                 | 400V    |             | Frequency                           | 50HZ |       |          |      |   |

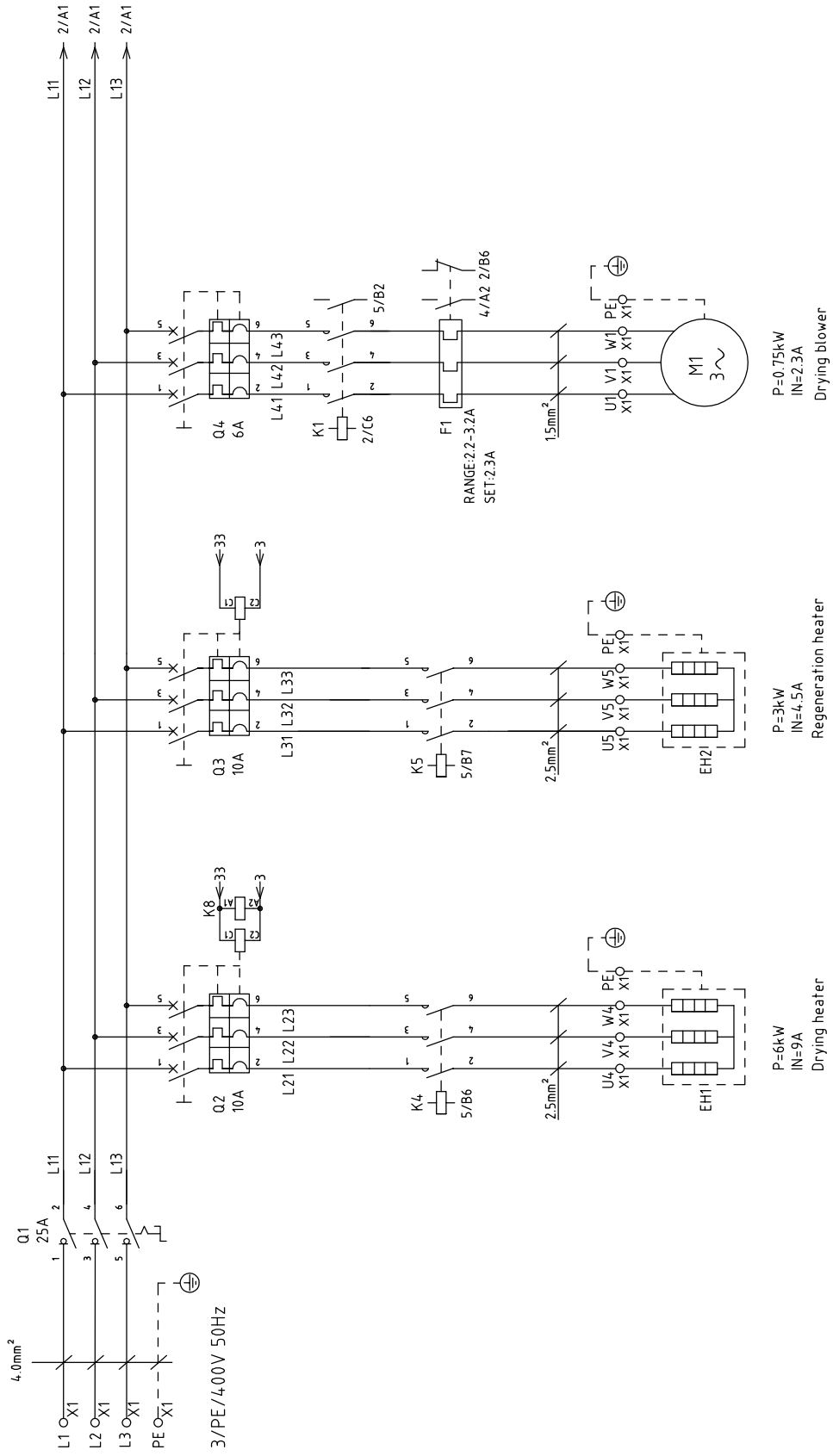


信易電熱機械股份有限公司  
Shini Plastics Technologies, Inc.

| 1   | 2                   |                         | 3                                 | 4                | 5                                     | 6        | 7               | 8      |
|---|---------------------|-------------------------|-----------------------------------|------------------|---------------------------------------|----------|-----------------|--------|
| NO.   | Symbol              | Name                    | Manufacturer                      | Type             | Specification                         | Number   | Material number | Remark |
| 1   | Q1                  | Main switch             | MOELLER                           | TO-2-1/EA/SVB    | 16A                                   | 1        | YE10021160000   |        |
| 2   | Q2 Q3 Q6            | Circuit-breaker         | TECO                              | BM-63C 3P        | 10A                                   | 3        | YE40301003000   |        |
| 3   |                     | Excitation release      | TECO                              | MX               | 220V 50/60Hz                          | 2        | YE40023560000   |        |
| 4   | Q4 Q5               | Circuit-breaker         | TECO                              | BM-63C 3P        | 6A                                    | 2        | YE40300603000   |        |
| 5   | K1                  | Contactor               | SIEMENS                           | 3RT6016-1AN21    | 220V 50/60Hz                          | 1        | YE00601621000   |        |
| 6   | K2                  | Contactor               | SIEMENS                           | 3RT6016-1AN21    | 220V 50/60Hz                          | 1        | YE00601621000   |        |
| 7   | K3                  | Contactor               | SIEMENS                           | 3RT6016-1AN21    | 220V 50/60Hz                          | 1        | YE00601621000   |        |
| 8   | K4                  | Contactor               | SIEMENS                           | 3RT6017-1AN21    | 220V 50/60Hz                          | 1        | YE00601721000   |        |
| 9   | K5                  | Contactor               | SIEMENS                           | 3RT6017-1AN21    | 220V 50/60Hz                          | 1        | YE00601721000   |        |
| 10  | K6                  | Phase relay             | CHAOSHI                           | ABJ-10W          | 400V 50/60Hz                          | 1        | YE03103800000   |        |
| 11  | K7 K8               | Middle relay            | WEIDMULLER                        | DRM270730LT      | 220V 50/60Hz                          | 2        | YE03270700000   |        |
| 12  | K11 K12             | Middle relay            | WEIDMULLER                        | DRM270724LT      | 24V DC                                | 2        | YE03272400000   |        |
| 13  | F1                  | Thermo overload relay   | SIEMENS                           | 3RU6116-0EB0     | 0.28-0.4A                             | 1        | YE01161280000   |        |
| 14  | F2                  | Thermo overload relay   | SIEMENS                           | 3RU6116-1AB0     | 1.1-1.6A                              | 1        | YE01160110000   | (1)    |
| 15  | F3                  | Thermo overload relay   | SIEMENS                           | 3RU6116-1FB0     | 3.5-5A                                | 1        | YE01160350000   |        |
| 16  | A1                  | PLC                     | SIEMENS                           | CPU224 AC/DC/RLY | 100-230VAC 50/60Hz                    | 1        | YE81022400100   |        |
| 17  | A2                  | PLC Expansion module    | SIEMENS                           | EM231 4xTC       | --                                    | 1        | YE82023100100   |        |
| 18  | A3                  | PLC Expansion module    | SIEMENS                           | EM231 4xAI       | --                                    | 1        | YE82023100000   | (2)    |
| 19  | A4                  | PLC Expansion module    | SIEMENS                           | EM223            | 4-in-24VDC,4-out-24VDC,transistor-out | 1        | YE82022300200   |        |
| 20  | A5                  | Human-machine interface | SCHNEIDER                         | GX03501          | 24VDC                                 | 1        | YE80350100100   |        |
| 21  | FU1                 | Fuse base               | CHINT                             | RT18-32          | 2P                                    | 1        | YE41032200000   |        |
| 22  |                     | Fuse                    | CHINT                             | 10x38 500V       | 2A                                    | 2        | YE46002000100   |        |
| 23  | FU2                 | Fuse                    | YINDA                             | FS-10            | 2A                                    | 1        | YE41001000000   |        |
| 24  | T                   | Transformer             | --                                | --               | IN=400V OUT=230V 500mA                | 1        | YE70402300800   |        |
| 25  | U                   | DC power                | MEAN WELL                         | NES-35-24        | OUT=DC24V 1.5A                        | 1        | YE71352400100   |        |
| 版本 Ver.C  |                     |                         |                                   |                  |                                       |          |                 |        |
| Notes: (1)Means it's not the material inside the control box. (2)Stands for optional. |                     |                         |                                   |                  |                                       |          |                 |        |
| D   |                     |                         | Title                             |                  | Drawing NO.                           |          | Scale           |        |
|   |                     |                         | SCD-20U(40U/80U)/4.0H-LC          |                  | SCD-20U(40U/80U)/4.0H-LC-CE-4.00V-F-8 |          | Page 8          |        |
|   |                     |                         | Electrical Components list 1      |                  | Standard                              |          | CE              |        |
|   |                     |                         | SHINI                             |                  | Voltage                               |          | 400V            |        |
|   |                     |                         | 信易电热机械股份有限公司                      |                  | Frequency                             |          | 50Hz            |        |
|   |                     |                         | Shini Plastics Technologies, Inc. |                  | Totally                               |          | 9 Pages         |        |
| Mark  | Before modification | Modified by             | Modify date                       | Checked by       | Date                                  | 20160816 |                 |        |
| 1   | 2                   | 3                       | 4                                 | 5                | 6                                     | 7        | 8               |        |



| 1   | 2        |                       | 3            | 4                     | 5   | 6           | 7               | 8         |
|---|----------|-----------------------|--------------|-----------------------|---|-------------|-----------------|-----------|
| NO.   | Symbol   | Name                  | Manufacturer | Type                  | Specification   | Number      | Material number | Remark    |
| 26  | S1       | Reed switch           | FOTEK        | FC-12V                | 24VDC   | 1           | -----           | (1)       |
| 27  | S2 S3    | Photoelectric switch  | FOTEK        | T18-3MNB-PE           | 24VDC   | 2           | YE15143900000   | (1)       |
| 28  | S4       | Micro switch          | TEND         | LXW5-11G1             | 250V 5(4)A  | 1           | YE14152400000   | (1)       |
| 29  | S5       | Temperature protector | ----         | -----                 | 250V 5(4)A  | 1           | -----           | (1)       |
| 30  | S6       | Temperature protector | ----         | -----                 | 250V 5(4)A  | 1           | -----           | (1)       |
| 31  | S7 S8 S9 | Thermocouple          | SHINI        | ST-K                  | K   | 3           | -----           | (1)       |
| 32  | S10      | Dew-point transducer  | CS           | CS 217-OEM            | POWER=24VDC OUT=4-20mA                                  | 1           | YE90021700100   | (1) (2)   |
| 33  | Y1-Y4    | Solenoid valve        | ----         | MSFW-230-50/60        | 220V 50/60Hz  | 4           | -----           | (1)       |
| 34  | H1       | Buzzer                | HITPOINT     | PF-35A                | 60-250V   | 1           | YE84003500200   | (1)       |
| 35  | H2       | Alarm indicator       | SHINI        | LED-3051              | 220V 50/60Hz  | 1           | YE83305100200   | (1)       |
| 36  | X1 X2 X4 | Terminal board        | ----         | 4mm <sup>2</sup>      | 41A 690V  | 18          | YE60000403200   |           |
| 37  |          |                       |              | 4mm <sup>2</sup> PE   | -   | 6           | YE60000403500   |           |
| 38  |          |                       |              | 2.5mm <sup>2</sup>    | 32A 690V  | 20          | YE60002503200   |           |
| 39  |          |                       |              | 2.5mm <sup>2</sup> PE | -   | 6           | YE60002503400   |           |
| 40  | X3       | Terminal board        | ----         | ZDIK 1.5              | 10A 250V  | 3           | YE60001003600   |           |
| 41  |          |                       |              | FBSTB 10-ZDIK RD      | 10A 250V  | 3           | YE60001000200   |           |
| 42  |          |                       |              | SK2.5-TL              | 10A 250V  | 3           | YE60002503600   |           |
| 43  | X5 X6 X7 | Heavy duty connector  | WEIN         | HBC-HA-004.1          | 4P 10A  | 3           | YE68041000100   | (1)       |
| 44  | FM       | Fan                   | SUNON        | DP-200A               | 230VAC 40W  | 1           | YM60121200400   | (1)       |
| 45  | M1       | Blower                | SHINI        | -----                 | 400V 0.12kW   | 1           | -----           | (1)       |
| 46  | M2       | Blower                | SHINI        | -----                 | 400V 0.4kW  | 1           | -----           | (1)       |
| 47  | M3       | Blower                | SHINI        | -----                 | 400V 1.5kW  | 1           | -----           | (1)       |
| 48  | M4       | Motor                 | ----         | -----                 | 230V 0.015kW  | 1           | -----           | (1)       |
| 49  | EH1      | Pipe heater           | SHINI        | -----                 | 400V 4kW  | 1           | -----           | (1)       |
| 50  | EH2      | Pipe heater           | SHINI        | -----                 | 400V 3kW  | 1           | -----           | (1)       |
| 版本 Ver.C  |          |                       |              |                       |   |             |                 |           |
| Notes: (1)Means it's not the material inside the control box. (2)Stands for optional. |          |                       |              |                       |   |             |                 |           |
|   |          |                       |              | Version               | F   | Drawing NO. |                 |           |
|   |          |                       |              | Designer              | Title SCD-20U(40U/80U)/40H-LC                           |             |                 |           |
|   |          |                       |              | Proofread by          | Electrical Components List 2                            |             |                 |           |
|   |          |                       |              | Checked by            | SCD-20U(40U/80U)/40H-LC-CE-400V-F-9                     |             |                 | Scale     |
|   |          |                       |              | Modify date           | SHINI 信易電熱機械股份有限公司<br>Shini Plastics Technologies, Inc. |             |                 | Standard  |
| Mark  |          |                       |              | Before modification   | 20160816  | CE          |                 | Page      |
|   |          |                       |              | After modification    |   | Voltage     |                 | 9         |
|   |          |                       |              |                       |   | Frequency   |                 | Totally 9 |
|   |          |                       |              |                       |   |             |                 | Pages     |
|   |          |                       |              |                       |   |             |                 | 400V      |
|   |          |                       |              |                       |   |             |                 | 50HZ      |
| 1   | 2        | 3                     | 4            | 5                     | 6   | 7           | 8               |           |

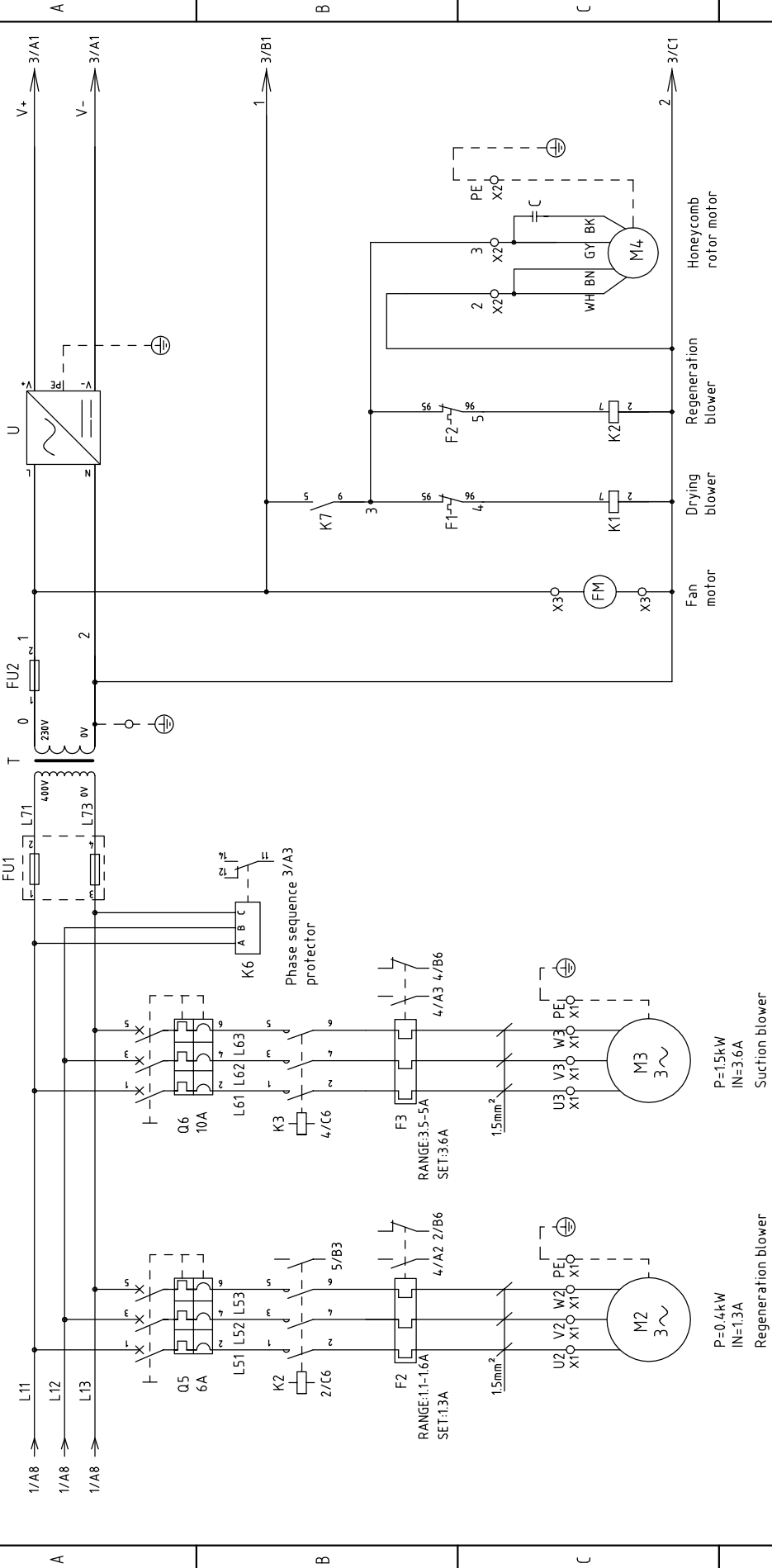


版本 Ver.D

Note: For 60Hz, the regenerative heater is 4kW

|           |                     |   |   |      |          |   |   |   |   |
|-----------|---------------------|---|---|------|----------|---|---|---|---|
| Mark      | Before modification | Modified by   | 2   | 3    | 4        | 5 | 6 | 7 | 8 |
|           | After modification  | Modified by   | 2   | 3    | 4        | 5 | 6 | 7 | 8 |
| Version   | Designer            | Proofread by  | Checked by                                    | Date | 20160816 |   |   |   |   |
|           | Approved by         | Title SCD-120U(160U)/80H-LC<br>Electrical Diagram 1 |   |      |          |   |   |   |   |
| Scale     | Standard            | CE  | Drawing NO. SCD-120U(160U)/80H-LC-CE-400V-F-1 |      |          |   |   |   |   |
|           | Voltage             | 400V  | Page 1  |      |          |   |   |   |   |
| Frequency | Frequency           | 50Hz  | Totally 9 Pages                               |      |          |   |   |   |   |



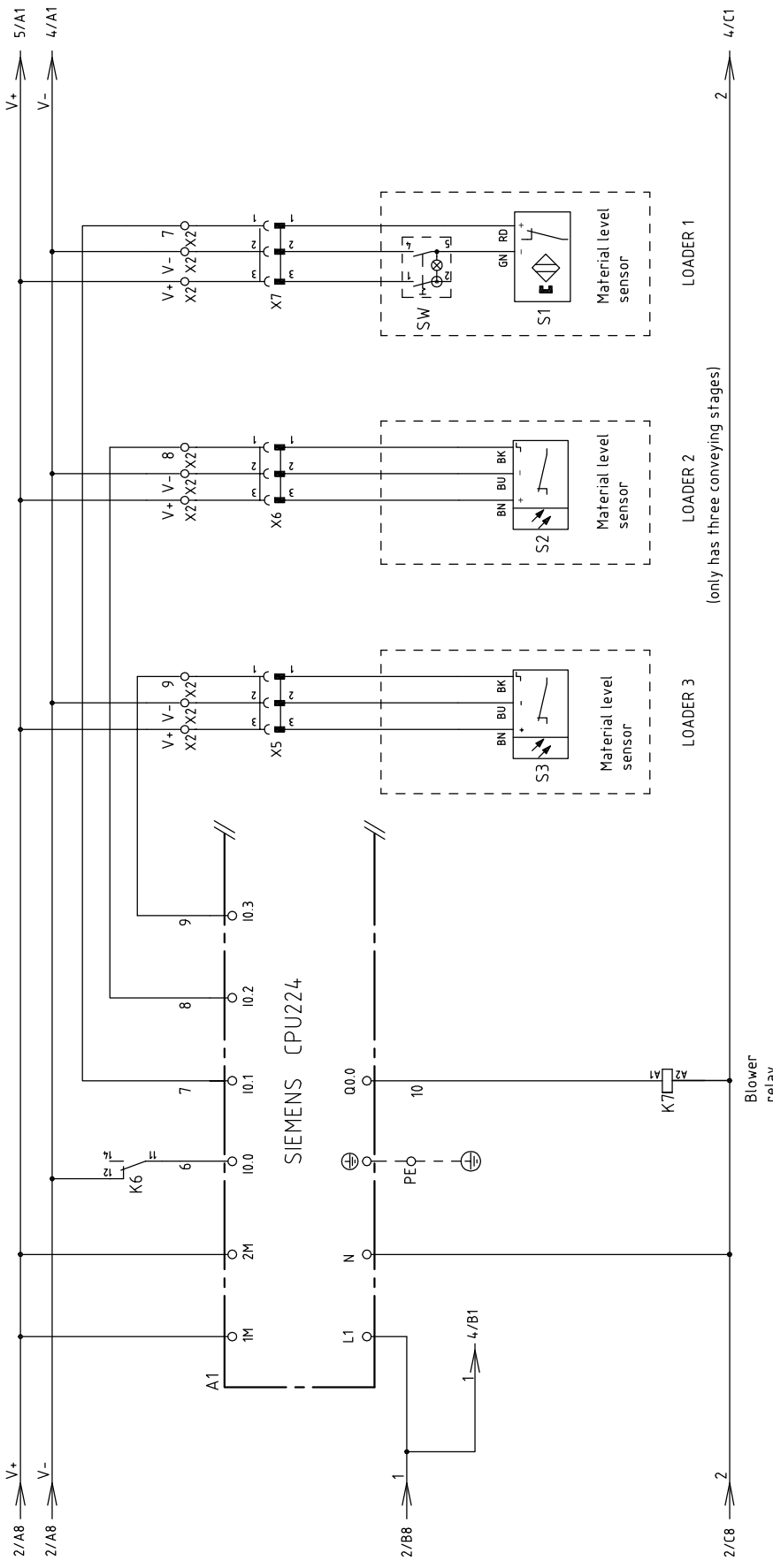


|          |                     |              |             |             |          |
|----------|---------------------|--------------|-------------|-------------|----------|
| Mark     | Before modification | Modified by  | Modify date | Checked by  | Date     |
|          |                     |              |             |             | 20160816 |
|          | After modification  | Modified by  | Modify date | Checked by  | Date     |
|          |                     |              |             |             |          |
| Designer |                     | Proofread by |             | Approved by |          |
| Drawer   |                     |              |             |             |          |

|                                   |   |
|-----------------------------------|---|
| Version                           | F |
| Title                             |   |
| SCD-120U(160U)/80H-LC             |   |
| Electrical Diagram 2              |   |
| Drawing NO.                       |   |
| SCD-120U(160U)/80H-LC-CE-400V-F-2 |   |

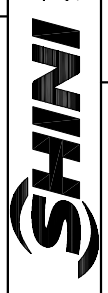
|           |      |
|-----------|------|
| Scale     | CE   |
| Standard  | CE   |
| Voltage   | 400V |
| Frequency | 50HZ |
| Page      | 2    |
| Totally   | 9    |
| Pages     |      |

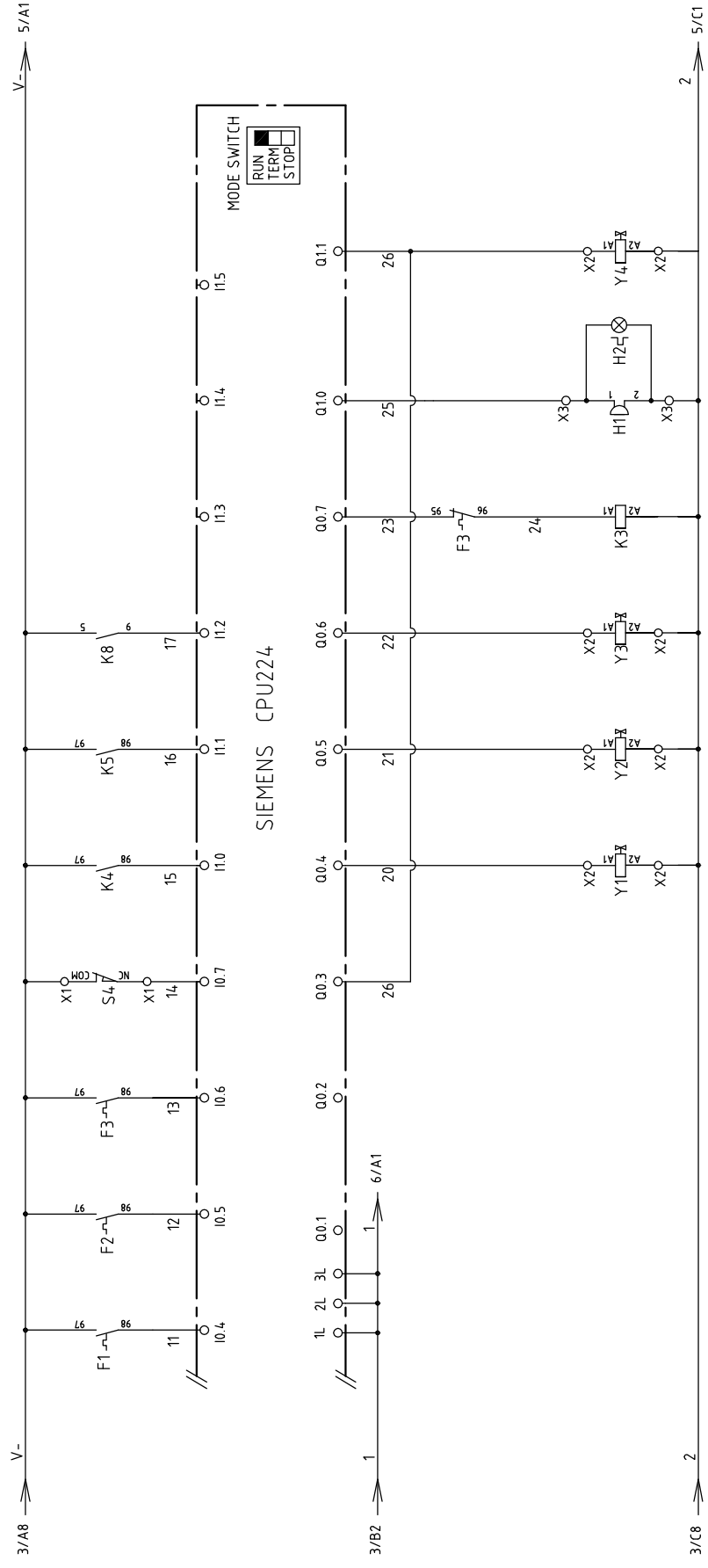
**SHINI**  
 信易電熱機械股份有限公司  
 Shini Plastics Technologies, Inc.



版本 Ver.D

|      |                     |             |             |      |          |             |         |   |       |             |    |   |   |
|------|---------------------|-------------|-------------|------|----------|-------------|---------|---|-------|-------------|----|---|---|
| Mark | Before modification | Modified by | Modify date | Date | 20160816 | Approved by | Version | F | Title | Drawing NO. |    | Page  | 3 |
|      | After modification  |             |             |      |          |             |         |   |       | Standard    | CE | Totally   | 9 |
|      |                     |             |             |      |          |             |         |   |       | Voltage     |    | 400V  |   |
|      |                     |             |             |      |          |             |         |   |       | Frequency   |    | 50HZ  |   |
|      |                     |             |             |      |          |             |         |   |       | Scale       |    |   |   |
|      |                     |             |             |      |          |             |         |   |       | Standard    |    | CE  |   |
|      |                     |             |             |      |          |             |         |   |       | Title       |    | SCD-120U(160U)/80H-LC                             |   |
|      |                     |             |             |      |          |             |         |   |       | Title       |    | Electrical Diagram 3                              |   |
|      |                     |             |             |      |          |             |         |   |       | Title       |    | SCD-120U(160U)/80H-LC-CE-400V-F-3                 |   |
|      |                     |             |             |      |          |             |         |   |       | Title       |    | 信易電熱機械股份有限公司<br>Shini Plastics Technologies, Inc. |   |

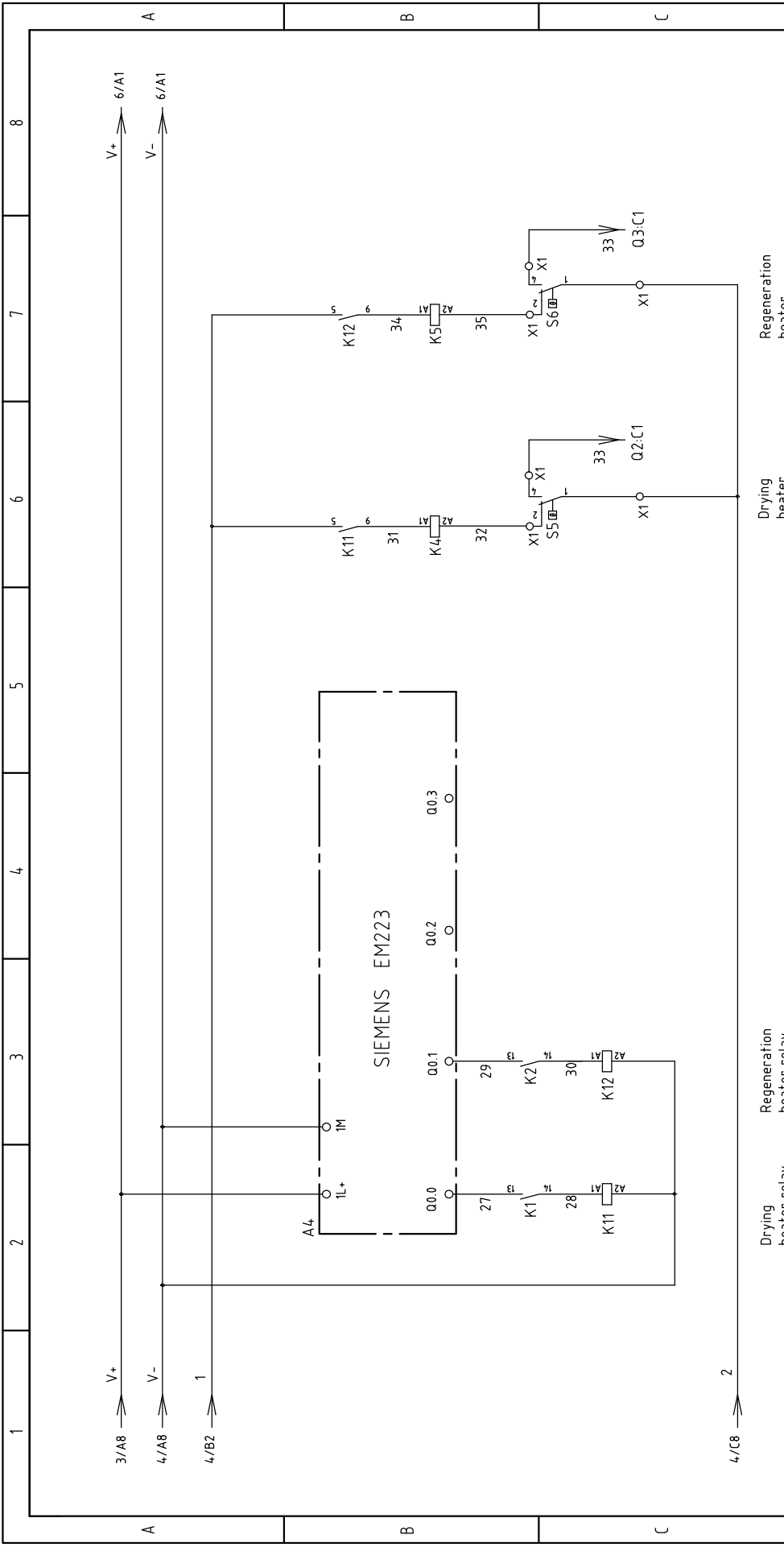




|         |   |             |             |            |           |        |
|---------|---|-------------|-------------|------------|-----------|--------|
| Mark    | Before modification                           | Modified by | Modify date | Checked by | Designer  | Drawer |
|         |   |             |             |            |           |        |
| Version | F   | Approved by | Date        | 20160816   |           |        |
| Title   | SCD-120U(160U)/80H-LC<br>Electrical Diagram 4 |             |             |            |           |        |
| Scale   | Standard                                      | CE          | Voltage     | 400V       | Frequency | 50HZ   |
| Page    | 4   | Totally     | 9           | Pages      |           |        |

  
**信易電熱機械股份有限公司**  
 Shini Plastics Technologies, Inc.

|          |          |         |   |      |           |   |      |   |   |
|----------|----------|---------|---|------|-----------|---|------|---|---|
| 版本       | Ver.D    | 1       | 2 | 3    | 4         | 5 | 6    | 7 | 8 |
| Page     | 4        | Totally |   | 9    | Pages     |   |      |   |   |
| Standard | CE       | Voltage |   | 400V | Frequency |   | 50HZ |   |   |
| Scale    | Standard | Voltage |   | 400V | Frequency |   | 50HZ |   |   |
| Page     | 4        | Totally |   | 9    | Pages     |   |      |   |   |



|              |                     |             |             |            |      |          |
|--------------|---------------------|-------------|-------------|------------|------|----------|
| Mark         | Before modification | Modified by | Modify date | Checked by | Date | 20160816 |
|              | After modification  | Modified by | Modify date | Checked by | Date |          |
| Version      | F                   |             |             |            |      |          |
| Designer     |                     |             |             |            |      |          |
| Proofread by |                     |             |             |            |      |          |
| Approved by  |                     |             |             |            |      |          |

|           |          |    |
|-----------|----------|----|
| Scale     | Standard | CE |
| Page      | 5        |    |
| Totally   | 9        |    |
| Pages     |          |    |
| Voltage   | 400V     |    |
| Frequency | 50HZ     |    |

|              |          |  |  |  |  |  |
|--------------|----------|--|--|--|--|--|
| Version      | F        |  |  |  |  |  |
| Designer     |          |  |  |  |  |  |
| Proofread by |          |  |  |  |  |  |
| Approved by  |          |  |  |  |  |  |
| Date         | 20160816 |  |  |  |  |  |

|              |          |  |  |  |  |  |
|--------------|----------|--|--|--|--|--|
| Version      | F        |  |  |  |  |  |
| Designer     |          |  |  |  |  |  |
| Proofread by |          |  |  |  |  |  |
| Approved by  |          |  |  |  |  |  |
| Date         | 20160816 |  |  |  |  |  |

|              |          |  |  |  |  |  |
|--------------|----------|--|--|--|--|--|
| Version      | F        |  |  |  |  |  |
| Designer     |          |  |  |  |  |  |
| Proofread by |          |  |  |  |  |  |
| Approved by  |          |  |  |  |  |  |
| Date         | 20160816 |  |  |  |  |  |

|              |          |  |  |  |  |  |
|--------------|----------|--|--|--|--|--|
| Version      | F        |  |  |  |  |  |
| Designer     |          |  |  |  |  |  |
| Proofread by |          |  |  |  |  |  |
| Approved by  |          |  |  |  |  |  |
| Date         | 20160816 |  |  |  |  |  |

|              |          |  |  |  |  |  |
|--------------|----------|--|--|--|--|--|
| Version      | F        |  |  |  |  |  |
| Designer     |          |  |  |  |  |  |
| Proofread by |          |  |  |  |  |  |
| Approved by  |          |  |  |  |  |  |
| Date         | 20160816 |  |  |  |  |  |

|              |          |  |  |  |  |  |
|--------------|----------|--|--|--|--|--|
| Version      | F        |  |  |  |  |  |
| Designer     |          |  |  |  |  |  |
| Proofread by |          |  |  |  |  |  |
| Approved by  |          |  |  |  |  |  |
| Date         | 20160816 |  |  |  |  |  |

|              |          |  |  |  |  |  |
|--------------|----------|--|--|--|--|--|
| Version      | F        |  |  |  |  |  |
| Designer     |          |  |  |  |  |  |
| Proofread by |          |  |  |  |  |  |
| Approved by  |          |  |  |  |  |  |
| Date         | 20160816 |  |  |  |  |  |

|              |          |  |  |  |  |  |
|--------------|----------|--|--|--|--|--|
| Version      | F        |  |  |  |  |  |
| Designer     |          |  |  |  |  |  |
| Proofread by |          |  |  |  |  |  |
| Approved by  |          |  |  |  |  |  |
| Date         | 20160816 |  |  |  |  |  |

版本 Ver.D

SHINI  
信易電熱機械股份有限公司  
Shini Plastics Technologies, Inc.

Electrical Diagram 5

SCD-120U(160U)/80H-LC

SCD-120U(160U)/80H-LC-CE-400V-F-5

Drawing NO.

Regeneration heater

Drying heater

Regeneration heater

Drying heater

SIEMENS EM223

00.0 00.1 00.2 00.3

1M 1L+

27 28 29 30

31 32 33 34 35

K1 K2 K11 K12 K4 K5

S5 S6 X1 X1 X1 X1

Q2:C1 Q3:C1

3/A8 4/A8 4/B2

V+ V- 1

6/A1 6/A1

2

3

4

5

6

7

8

A B C

A B C

D

1

2

3

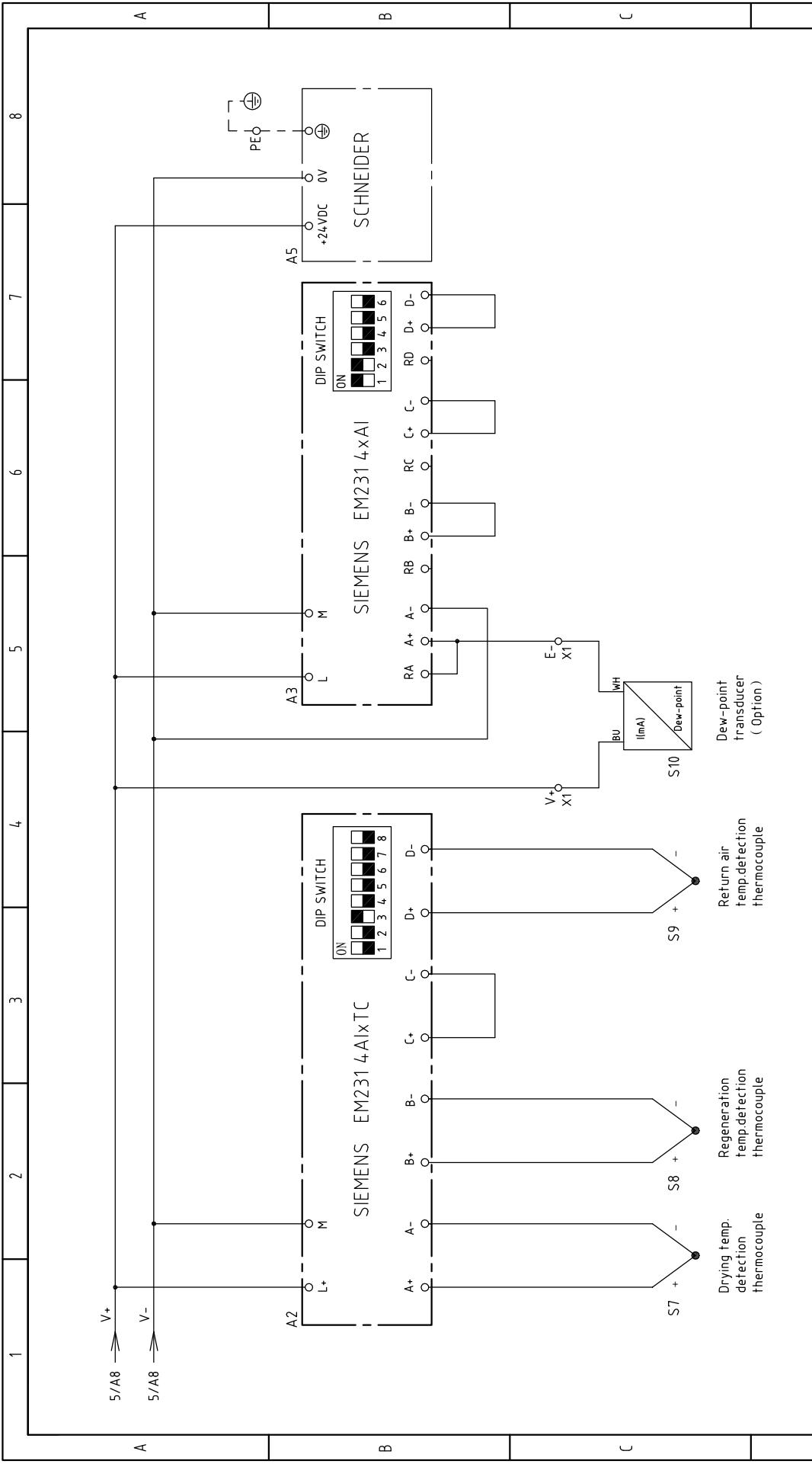
4

5

6

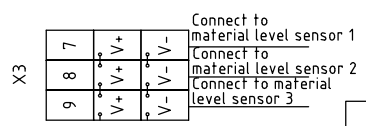
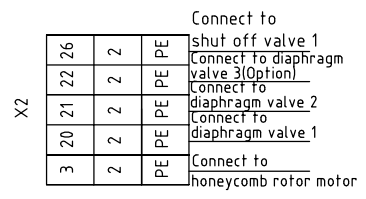
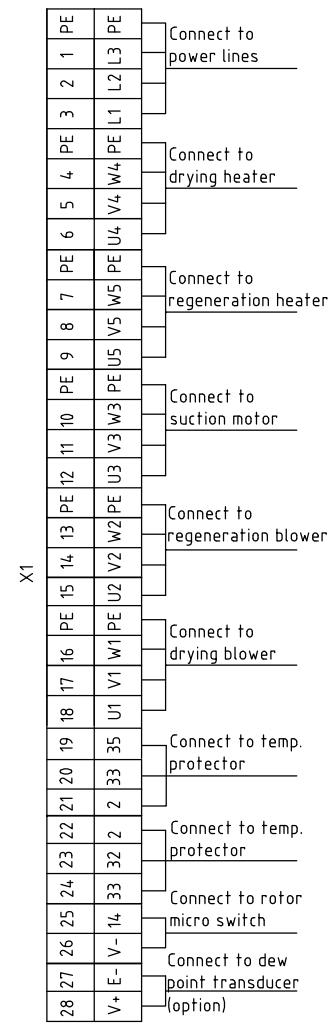
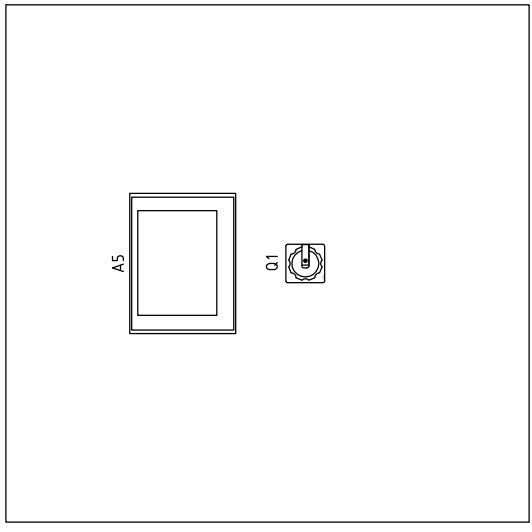
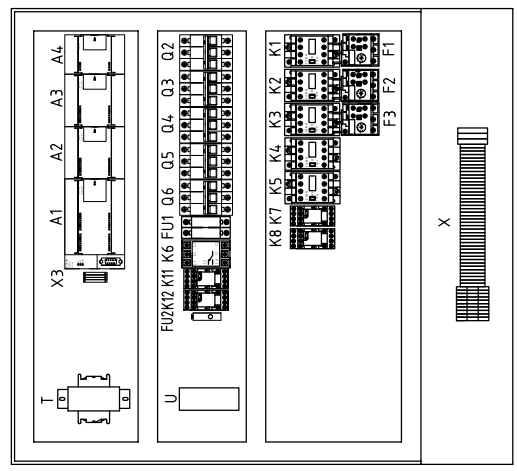
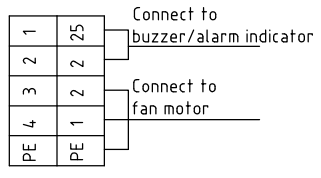
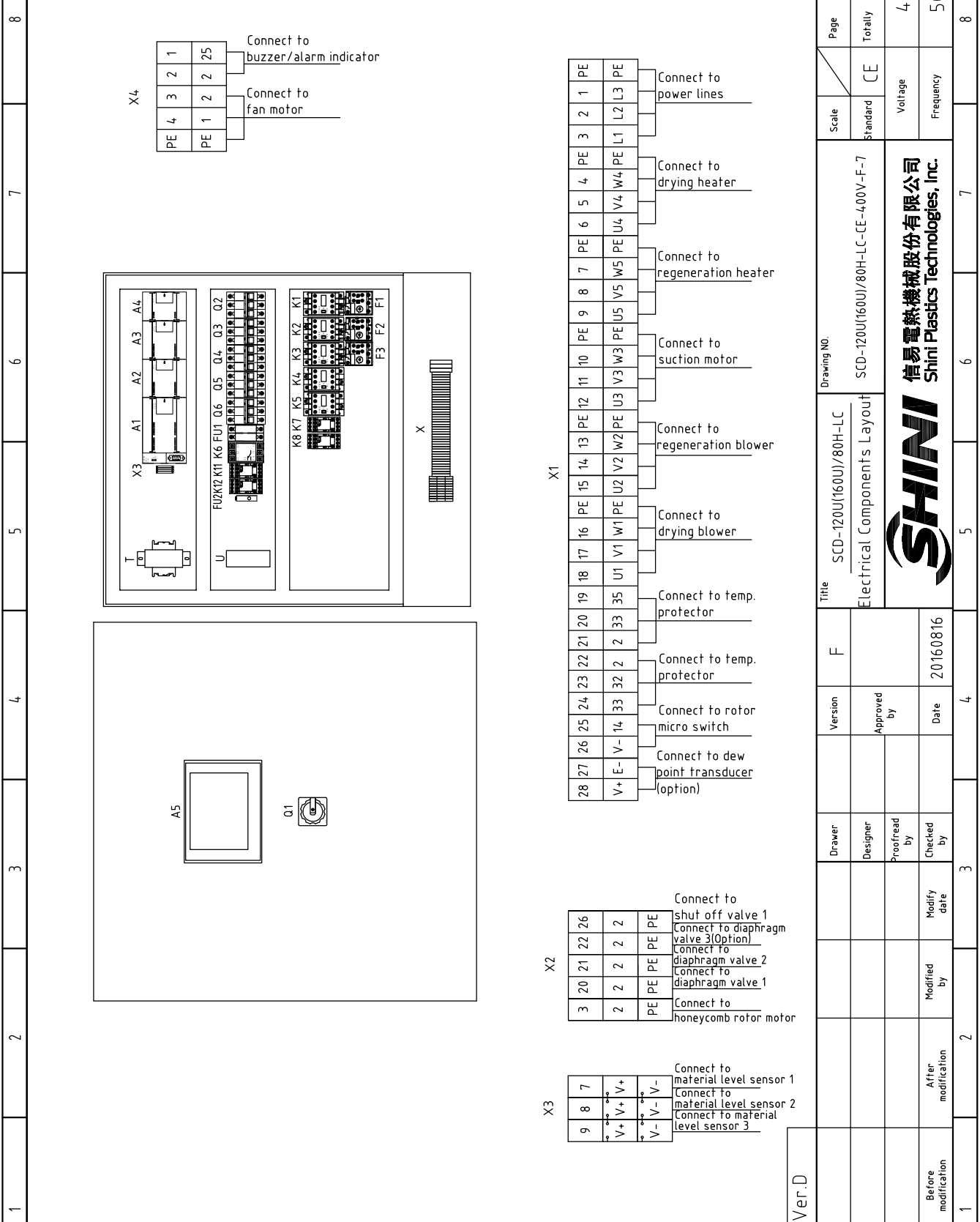
7

8



|          |                       |             |                                   |  |           |         |
|----------|-----------------------|-------------|-----------------------------------|--|-----------|---------|
| 版本 Ver.D | Title                 |             | Drawing NO.                       |  | Scale     | Page    |
|          | SCD-120U(160U)/80H-LC |             | SCD-120U(160U)/80H-LC-CE-400V-F-6 |  | Standard  | Totally |
|          | Electrical Diagram 6  |             |                                   |  | CE        | 9       |
|          | Designer              |             | Proofread by                      |  | Voltage   |         |
|          | Approved by           |             | Checked by                        |  | 400V      |         |
|          | Date                  |             | Modify date                       |  | Frequency |         |
|          | 20160816              |             |                                   |  | 50HZ      |         |
| Mark     | Before modification   | Modified by |                                   |  | 8         |         |
|          |                       |             |                                   |  | 7         |         |
|          |                       |             |                                   |  | 6         |         |
|          |                       |             |                                   |  | 5         |         |
|          |                       |             |                                   |  | 4         |         |
|          |                       |             |                                   |  | 3         |         |
|          |                       |             |                                   |  | 2         |         |
|          |                       |             |                                   |  | 1         |         |





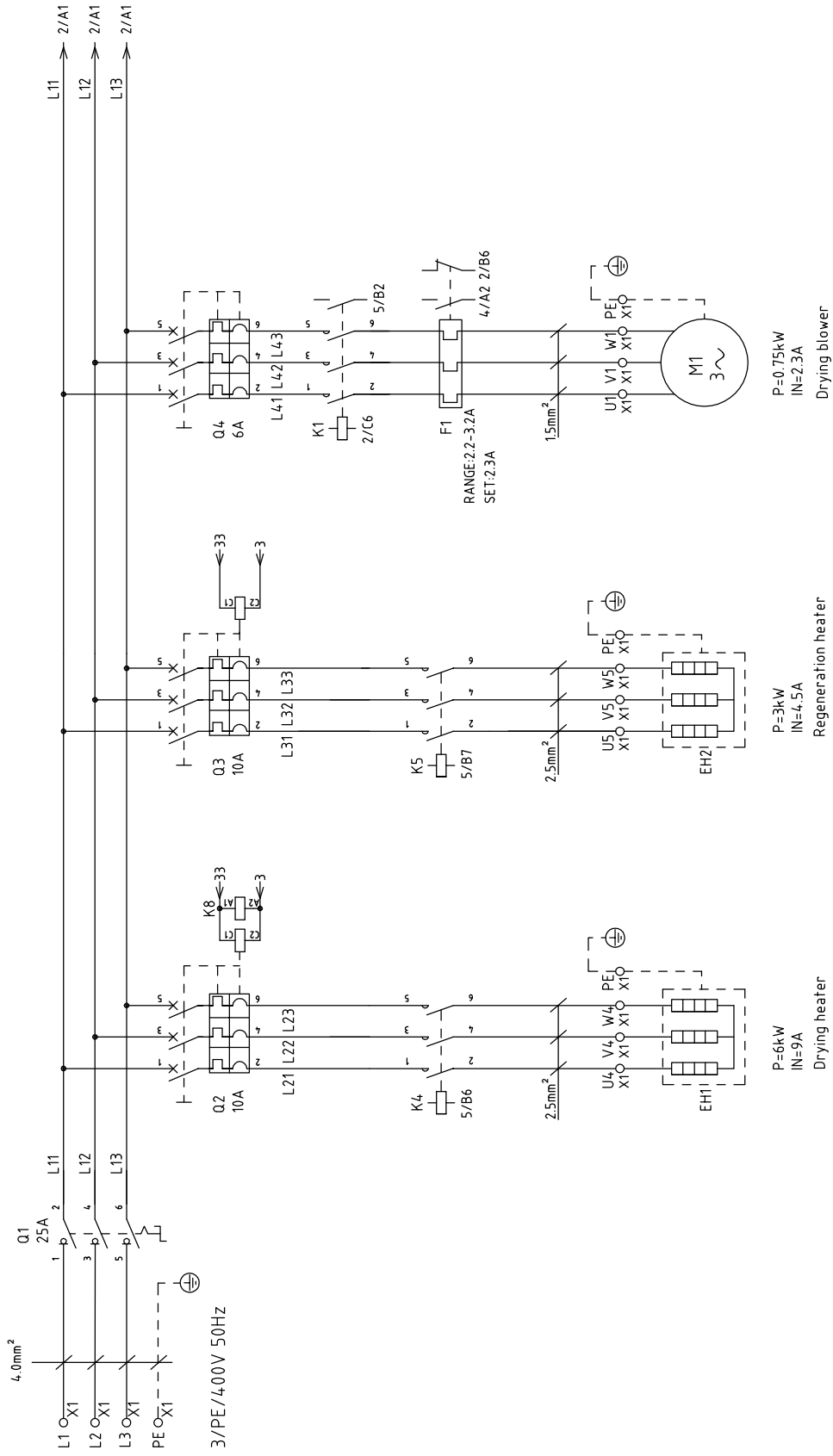
|                     |              |             |                              |   |   |    |                 |
|---------------------|--------------|-------------|------------------------------|---|---|----|-----------------|
| 版本 Ver.D            | Drawer       | F           | Title SCD-120U(160U)/80H-LC  |   | Drawing NO. SCD-120U(160U)/80H-LC-CE-400V-F-7 |    | Page 7          |
|                     | Designer     | Approved by | Electrical Components Layout |   | Standard                                      | CE | Totally 9 Pages |
| Mark                | Proofread by | Date        | Date                         |   | Voltage                                       |    | 400V            |
| Before modification | Checked by   | 20160816    | Date                         |   | Frequency                                     |    | 50HZ            |
| 1                   | 3            | 4           | 5                            | 6 | 7   | 8  | 8               |





| 1   | 2        | 3                       | 4            | 5                | 6                                     | 7                                 | 8               |             |         |
|---|----------|-------------------------|--------------|------------------|---------------------------------------|-----------------------------------|-----------------|-------------|---------|
| NO.   | Symbol   | Name                    | Manufacturer | Type             | Specification                         | Number                            | Material number | Remark      |         |
| 1   | Q1       | Main switch             | MOELLER      | P1-25-EA/SVB     | 25A                                   | 1                                 | YE10125250000   |             |         |
| 2   | Q2 Q3 Q6 | Circuit-breaker         | TECO         | BM-63C 3P        | 10A                                   | 3                                 | YE40301003000   |             |         |
| 3   |          | Excitation release      | TECO         | MX               | 220V 50/60Hz                          | 2                                 | YE40023560000   |             |         |
| 4   | Q4 Q5    | Circuit-breaker         | TECO         | BM-63C 3P        | 6A                                    | 2                                 | YE40300603000   |             |         |
| 5   | K1       | Contactor               | SIEMENS      | 3RT6016-1AN21    | 220V 50/60Hz                          | 1                                 | YE00601621000   |             |         |
| 6   | K2       | Contactor               | SIEMENS      | 3RT6016-1AN21    | 220V 50/60Hz                          | 1                                 | YE00601621000   |             |         |
| 7   | K3       | Contactor               | SIEMENS      | 3RT6016-1AN21    | 220V 50/60Hz                          | 1                                 | YE00601621000   |             |         |
| 8   | K4       | Contactor               | SIEMENS      | 3RT6018-1AN21    | 220V 50/60Hz                          | 1                                 | YE00601800000   |             |         |
| 9   | K5       | Contactor               | SIEMENS      | 3RT6017-1AN21    | 220V 50/60Hz                          | 1                                 | YE00601721000   |             |         |
| 10  | K6       | Phase relay             | CHAOSHI      | ABJ-10W          | 400V 50/60Hz                          | 1                                 | YE03103800000   |             |         |
| 11  | K7 K8    | Middle relay            | WEIDMULLER   | DRM270730LT      | 220V 50/60Hz                          | 2                                 | YE03270700000   |             |         |
| 12  | K11 K12  | Middle relay            | WEIDMULLER   | DRM270724LT      | 24V DC                                | 2                                 | YE03272400000   |             |         |
| 13  | F1       | Thermo overload relay   | SIEMENS      | 3RU6116-1DB0     | 2.2-3.2A                              | 1                                 | YE01160220000   |             |         |
| 14  | F2       | Thermo overload relay   | SIEMENS      | 3RU6116-1AB0     | 1.1-1.6A                              | 1                                 | YE01160110000   |             |         |
| 15  | F3       | Thermo overload relay   | SIEMENS      | 3RU6116-1FB0     | 3.5-5A                                | 1                                 | YE01160350000   |             |         |
| 16  | A1       | PLC                     | SIEMENS      | CPU224 AC/DC/RLY | 100-230VAC 50/60Hz                    | 1                                 | YE81022400100   |             |         |
| 17  | A2       | PLC Expansion module    | SIEMENS      | EM231 4xTC       | --                                    | 1                                 | YE82023100100   |             |         |
| 18  | A3       | PLC Expansion module    | SIEMENS      | EM231 4xAI       | --                                    | 1                                 | YE82023100000   | (2)         |         |
| 19  | A4       | PLC Expansion module    | SIEMENS      | EM223            | 4-in 24VDC,4-out 24VDC,transistor-out | 1                                 | YE82022300200   |             |         |
| 20  | A5       | Human-machine interface | SCHNEIDER    | GX03501          | 24VDC                                 | 1                                 | YE80350100100   |             |         |
| 21  | FU1      | Fuse base               | CHINT        | RT18-32          | 2P                                    | 1                                 | YE41032200000   |             |         |
| 22  |          | Fuse                    | CHINT        | 10x38 500V       | 2A                                    | 2                                 | YE46002000100   |             |         |
| 23  | FU2      | Fuse                    | YINDA        | FS-10            | 2A                                    | 1                                 | YE41001000000   |             |         |
| 24  | T        | Transformer             | --           | --               | IN=400V OUT=230V 500mA                | 1                                 | YE70402300800   |             |         |
| 25  | U        | DC power                | MEAN WELL    | NES-35-24        | OUT=DC24V 1.5A                        | 1                                 | YE71352400100   |             |         |
| 版本 Ver.D  |          |                         |              |                  |                                       |                                   |                 |             |         |
| Notes: (1)Means it's not the material inside the control box. (2)Stands for optional. |          |                         |              |                  |                                       |                                   |                 |             |         |
|   |          |                         |              | Drawer           | Version                               | Title                             |                 | Drawing NO. |         |
|   |          |                         |              | Designer         | B                                     | SCD-120U(160U)/80H-LC             |                 | Scale       | Page    |
|   |          |                         |              | Proofread by     | Approved by                           | Electrical Components list 1      |                 | Standard    | Totally |
|   |          |                         |              | Checked by       | Date                                  | SCD-120U(160U)/80H-LC-CE-400V-F-8 |                 | CE          | 8       |
|   |          |                         |              | Modified by      | 20160816                              | SHINI                             |                 | Voltage     | 400V    |
|   |          |                         |              | Modify date      |                                       | 信易电热机械股份有限公司                      |                 | Frequency   | 50HZ    |
|   |          |                         |              | Mark             |                                       | Shini Plastics Technologies, Inc. |                 |             |         |
|   |          |                         |              | 1                | 2                                     | 3                                 | 4               | 5           | 6       |
|   |          |                         |              | 7                | 8                                     | 8                                 |                 |             |         |

| 1   | 2        |                       | 3                                 | 4                     | 5                      | 6        | 7               | 8       |
|---|----------|-----------------------|-----------------------------------|-----------------------|------------------------|----------|-----------------|---------|
| NO.   | Symbol   | Name                  | Manufacturer                      | Type                  | Specification          | Number   | Material number | Remark  |
| 26  | S1       | Reed switch           | FOTEK                             | FC-12V                | 24VDC                  | 1        | -----           | (1)     |
| 27  | S2 S3    | Photoelectric switch  | FOTEK                             | T18-3MNB-PE           | 24VDC                  | 2        | YE15143900000   | (1)     |
| 28  | S4       | Micro switch          | TEND                              | LXW5-11G1             | 250V 5(4)A             | 1        | YE14152400000   | (1)     |
| 29  | S5       | Temperature protector | ----                              | -----                 | 250V 5(4)A             | 1        | -----           | (1)     |
| 30  | S6       | Temperature protector | ----                              | -----                 | 250V 5(4)A             | 1        | -----           | (1)     |
| 31  | S7 S8 S9 | Thermocouple          | SHINI                             | ST-K                  | K                      | 3        | -----           | (1)     |
| 32  | S10      | Dew-point transducer  | CS                                | CS 217-OEM            | POWER=24VDC OUT=4-20mA | 1        | YE90021700100   | (1) (2) |
| 33  | Y1-Y4    | Solenoid valve        | ----                              | MSFW-230-50/60        | 220V 50/60Hz           | 4        | -----           | (1)     |
| 34  | H1       | Buzzer                | HITPOINT                          | PF-35A                | 60-250V                | 1        | YE84003500200   | (1)     |
| 35  | H2       | Alarm indicator       | SHINI                             | LED-3051              | 220V 50/60Hz           | 1        | YE83305100200   | (1)     |
| 36  | X1 X2 X4 | Terminal board        | ----                              | 4mm <sup>2</sup>      | 41A 690V               | 18       | YE60000403200   |         |
| 37  |          |                       |                                   | 4mm <sup>2</sup> PE   | -                      | 6        | YE60000403500   |         |
| 38  |          |                       |                                   | 2.5mm <sup>2</sup>    | 32A 690V               | 20       | YE60002503200   |         |
| 39  |          |                       |                                   | 2.5mm <sup>2</sup> PE | -                      | 5        | YE60002503400   |         |
| 40  | X3       | Terminal board        | ----                              | ZDIK 1.5              | 10A 250V               | 3        | YE60001003600   |         |
| 41  |          |                       |                                   | FBSTB 10-ZDIK RD      | 10A 250V               | 3        | YE60001000200   |         |
| 42  |          |                       |                                   | SK2.5-TL              | 10A 250V               | 3        | YE60002503600   |         |
| 43  | X5 X6 X7 | Heavy duty connector  | WEIN                              | HBC-HA-004.1          | 4P 10A                 | 3        | YE68041000100   | (1)     |
| 44  | FM       | Fan                   | SUNON                             | DP-200A               | 230VAC 40W             | 1        | YM60121200400   | (1)     |
| 45  | M1       | Blower                | SHINI                             | -----                 | 400V 0.75kW            | 1        | -----           | (1)     |
| 46  | M2       | Blower                | SHINI                             | -----                 | 400V 0.4kW             | 1        | -----           | (1)     |
| 47  | M3       | Blower                | SHINI                             | -----                 | 400V 1.5kW             | 1        | -----           | (1)     |
| 48  | M4       | Motor                 | ----                              | -----                 | 230V 0.015kW           | 1        | -----           | (1)     |
| 49  | EH1      | Pipe heater           | SHINI                             | -----                 | 400V 6kW               | 1        | -----           | (1)     |
| 50  | EH2      | Pipe heater           | SHINI                             | -----                 | 400V 3kW               | 1        | -----           | (1)     |
|   |          |                       |                                   |                       |                        |          | 60Hz : 4kW      | (1)     |
| 版本 Ver.D  |          |                       |                                   |                       |                        |          |                 |         |
| Notes: (1)Means it's not the material inside the control box. (2)Stands for optional. |          |                       |                                   |                       |                        |          |                 |         |
| Title   |          |                       | Drawing NO.                       |                       |                        | Page     |                 |         |
| SCD-120U(160U)/80H-LC   |          |                       | SCD-120U(160U)/80H-LC-CE-400V-F-9 |                       |                        | 9        |                 |         |
| Electrical Components List 2  |          |                       | Standard                          |                       |                        | CE       |                 |         |
| Voltage   |          |                       | Frequency                         |                       |                        | Pages    |                 |         |
| 400V  |          |                       | 50HZ                              |                       |                        | 400V     |                 |         |
| 50HZ  |          |                       | 400V                              |                       |                        | 50HZ     |                 |         |
| SHINI   |          |                       | 信易電熱機械股份有限公司                      |                       |                        | SHINI    |                 |         |
| SHINI   |          |                       | Shini Plastics Technologies, Inc. |                       |                        | SHINI    |                 |         |
| Date  |          |                       | Date                              |                       |                        | Date     |                 |         |
| 20160816  |          |                       | 20160816                          |                       |                        | 20160816 |                 |         |
| 3   |          |                       | 4                                 |                       |                        | 5        |                 |         |
| 7   |          |                       | 8                                 |                       |                        | 9        |                 |         |
| 8   |          |                       | 9                                 |                       |                        | 10       |                 |         |



P=0.75kW  
IN=2.3A  
Drying blower

P=3kW  
IN=4.5A  
Regeneration heater

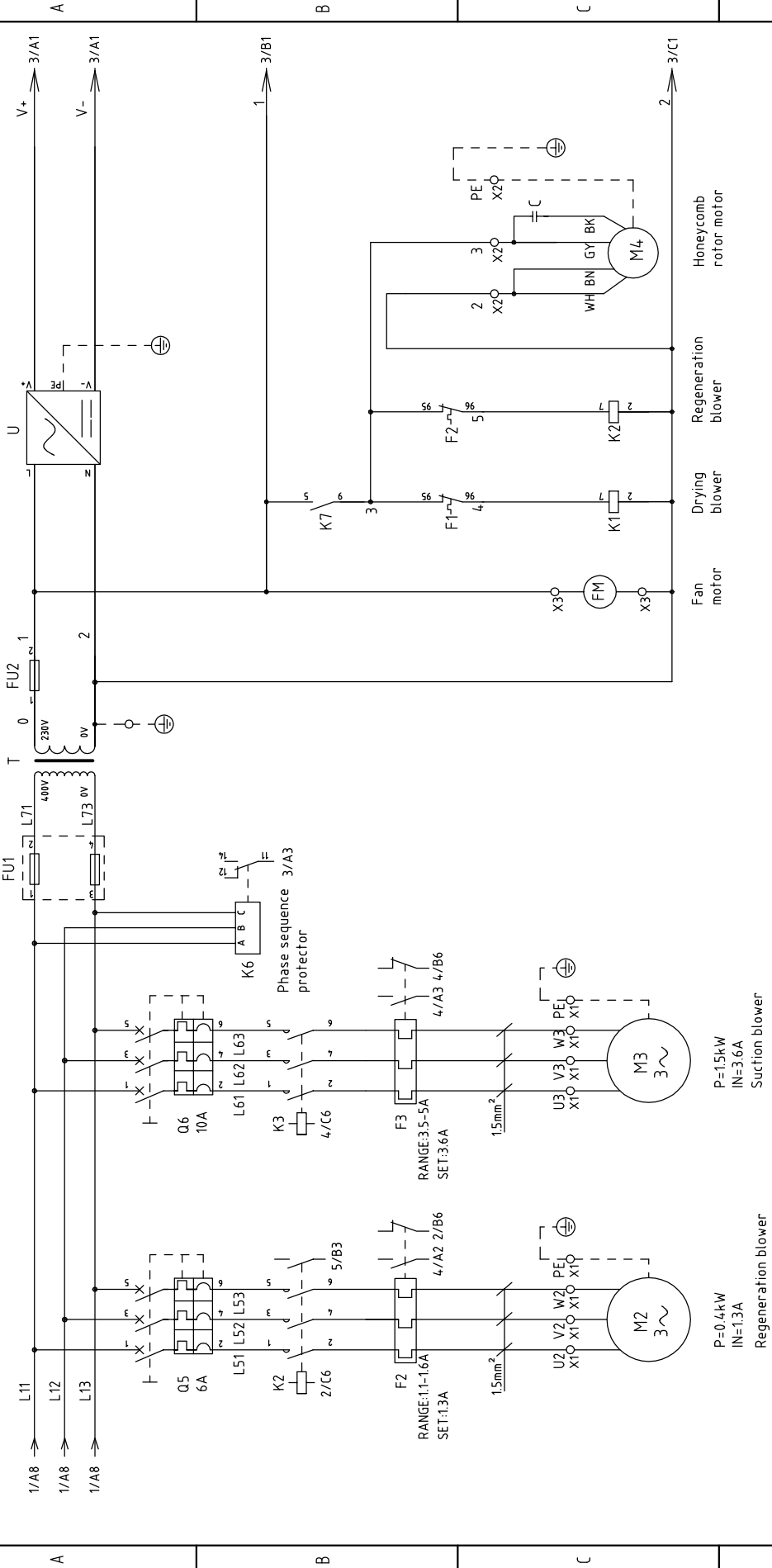
P=6kW  
IN=9A  
Drying heater

1600/120H 版本 Ver.D 2300/120H 版本 Ver.C

Note: For 60Hz, the regenerative heater is 4kW

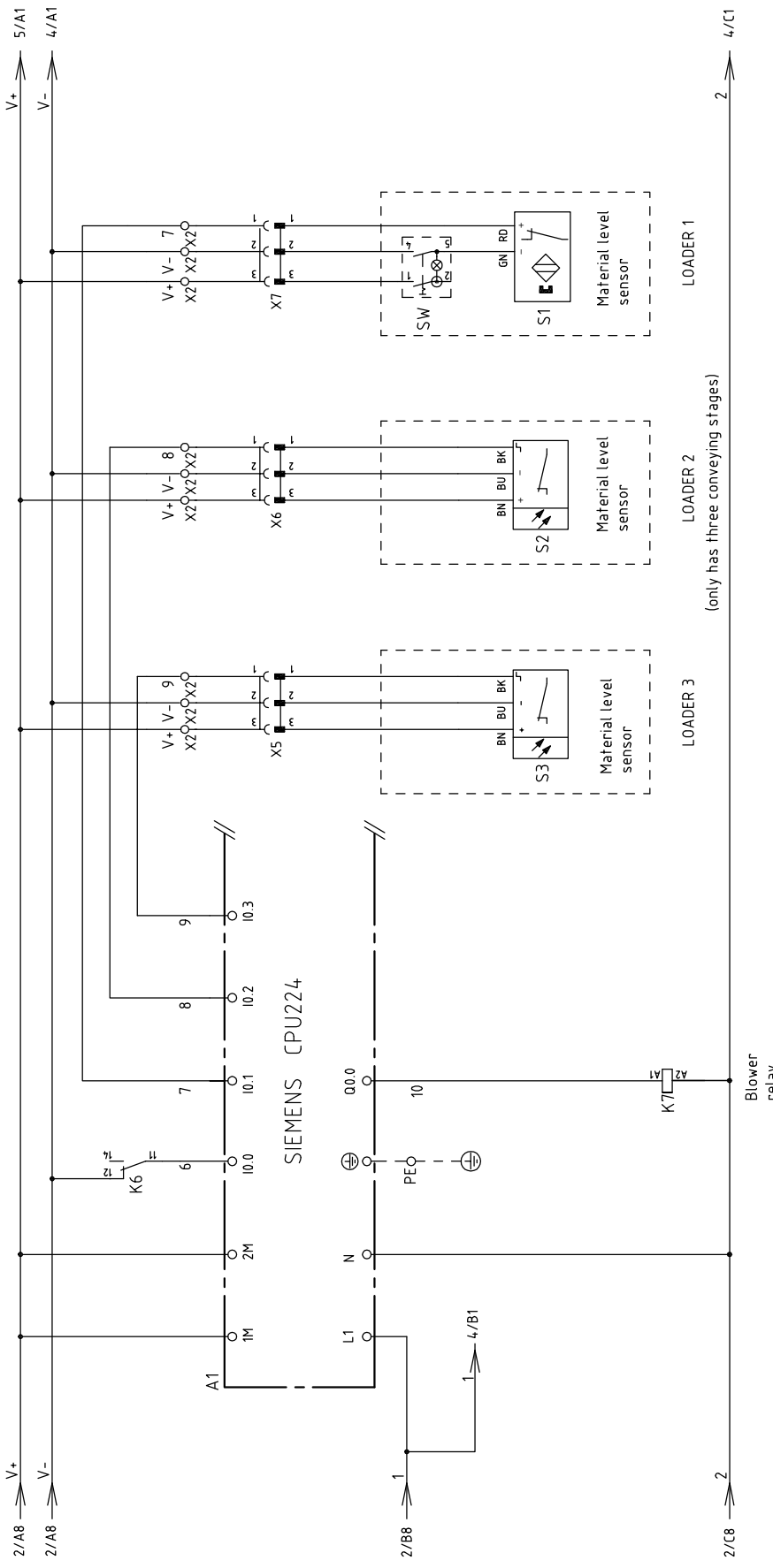
|                            |  |              |  |              |  |           |  |           |  |
|----------------------------|--|--------------|--|--------------|--|-----------|--|-----------|--|
| Title                      |  | Version      |  | Drawer       |  | Scale     |  | Page      |  |
| SCD-160U(230U)/120H-LC     |  | F            |  |              |  | Standard  |  | 1         |  |
| Electrical Diagram 1       |  | Approved by  |  | Designer     |  | CE        |  | Totally 9 |  |
| Drawing NO.                |  | Proofread by |  | Proofread by |  | Voltage   |  | Pages     |  |
| SCD-160U(230U)/120H-LC-F-1 |  | Checked by   |  | Checked by   |  | 400V      |  | 400V      |  |
| SHINI 信易電熱機械股份有限公司         |  | Modify date  |  | Modify date  |  | Frequency |  | 50HZ      |  |
| 20160816                   |  |              |  |              |  |           |  | 50HZ      |  |





|                    |                    |                        |  |             |  |                                     |  |           |         |
|--------------------|--------------------|------------------------|--|-------------|--|-------------------------------------|--|-----------|---------|
| 160U/120H 版本 Ver.D | 230U/120H 版本 Ver.C | Title                  |  | Version     |  | Drawing NO.                         |  | Scale     | Page    |
|                    |                    | SCD-160U(230U)/120H-LC |  | F           |  | SCD-160U(230U)/120H-LC-CE-4.00V-F-2 |  | Standard  | 2       |
|                    |                    | Electrical Diagram 2   |  | Approved by |  | CE                                  |  | Voltage   | Totally |
|                    |                    | Date                   |  | Checked by  |  | Voltage                             |  | Frequency | Pages   |
|                    |                    | 20160816               |  | Modify date |  | 400V                                |  | 50HZ      | 9       |
|                    |                    | After modification     |  | Modified by |  | Voltage                             |  | Frequency | 8       |
|                    |                    | Before modification    |  | Checked by  |  | 400V                                |  | 50HZ      |         |
|                    |                    | Date                   |  | Checked by  |  | 400V                                |  | 50HZ      |         |
|                    |                    | 20160816               |  | Checked by  |  | 400V                                |  | 50HZ      |         |





1600/120H 版本 Ver.D 2300/120H 版本 Ver.C

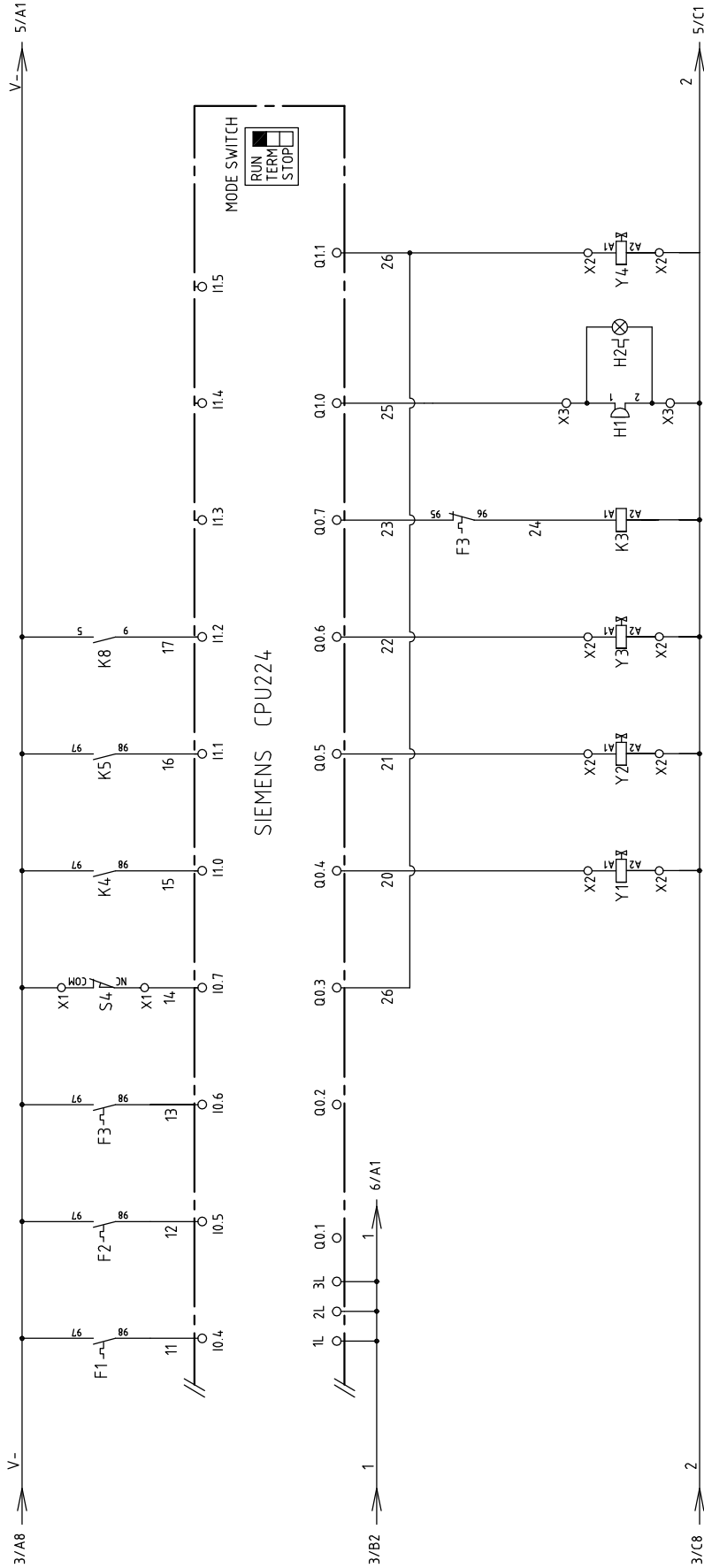
|          |                     |              |             |          |
|----------|---------------------|--------------|-------------|----------|
| Mark     | Before modification | Modified by  | Modify date | 20160816 |
|          | After modification  |              |             |          |
| Designer |                     | Proofread by | Checked by  |          |
| Version  | F                   | Approved by  | Date        |          |

Title SCD-160U(230U)/120H-LC  
Electrical Diagram 3

Drawing NO. SCD-160U(230U)/120H-LC-CE-4.00V-F-3

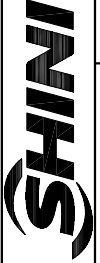
|       |          |           |                 |
|-------|----------|-----------|-----------------|
| Scale | Standard | CE        | Page 3          |
|       |          | Voltage   | Totally 9 Pages |
|       |          | Frequency | 400V            |
|       |          |           | 50HZ            |



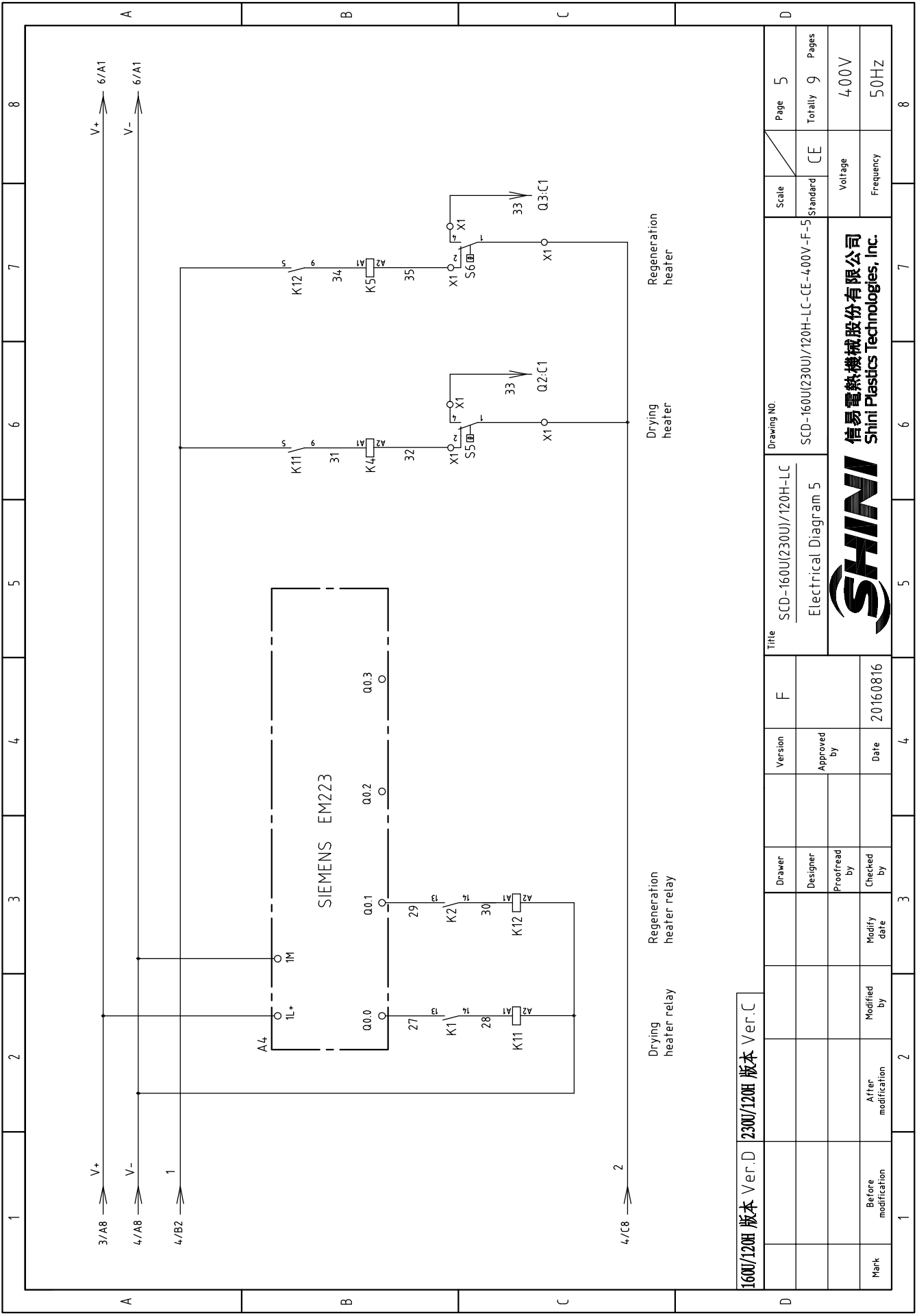


160U/120H 版本 Ver.D 230U/120H 版本 Ver.C

|      |                     |             |             |            |              |          |        |             |          |       |  |  |  |  |           |         |         |       |      |
|------|---------------------|-------------|-------------|------------|--------------|----------|--------|-------------|----------|-------|--|--|--|--|-----------|---------|---------|-------|------|
| Mark | Before modification | Modified by | Modify date | Checked by | Proofread by | Designer | Drawer | Version     | F        | Title | SCD-160U(230U)/120H-LC<br>Electrical Diagram 4 |  | Drawing NO.<br>SCD-160U(230U)/120H-LC-CE-4.00V-F-4 |  | Scale     | CE      | Page    | 4     |      |
|      | After modification  |             |             |            |              |          |        | Approved by |          |       |  |  |  |  | Standard  | Voltage | Totally | 9     |      |
|      |                     |             |             |            |              |          |        | Date        | 20160816 |       |  |  |  |  | Frequency | 400V    |         | Pages | 50HZ |



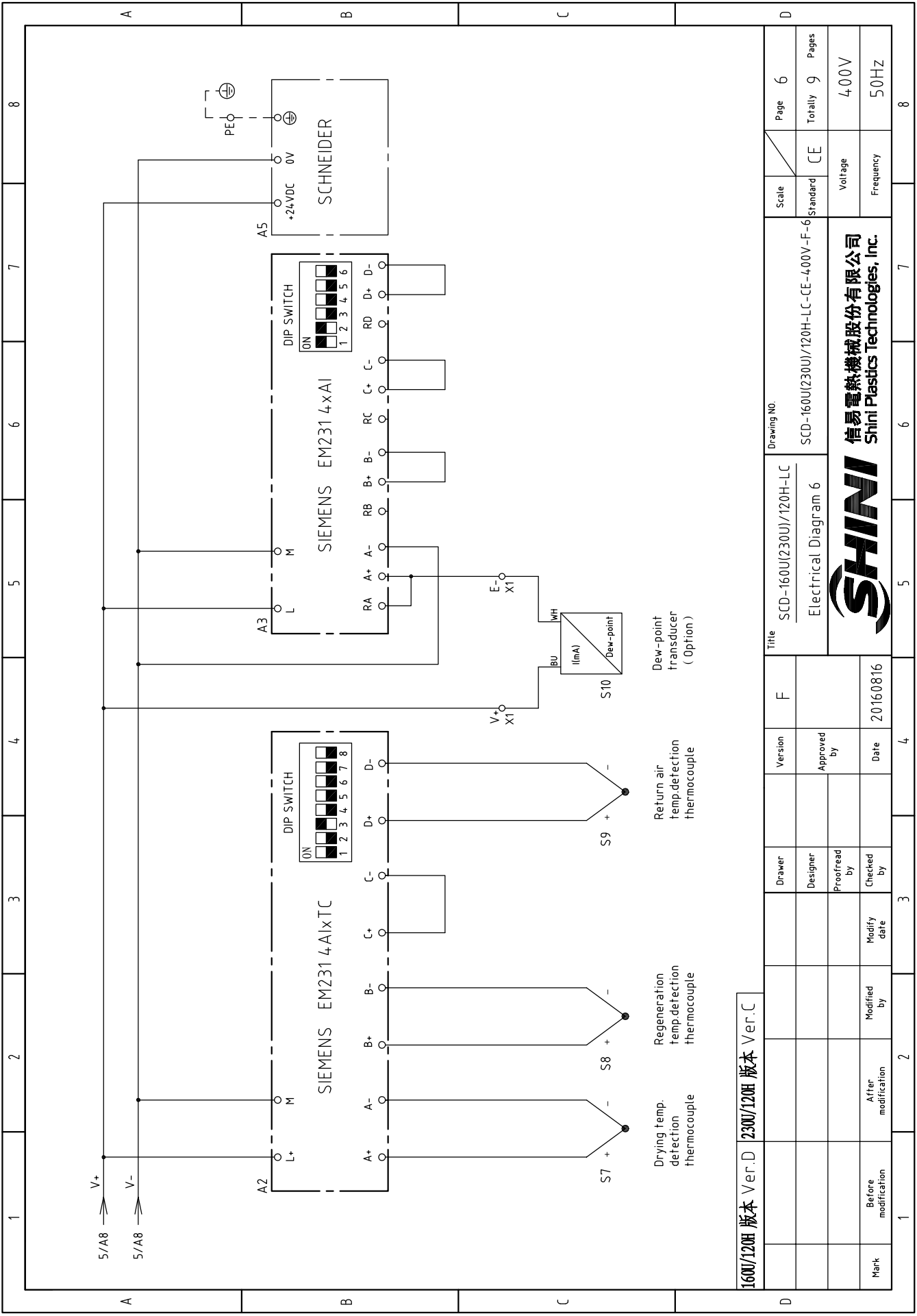
信易電熱機械股份有限公司  
Shini Plastics Technologies, Inc.



1600/120H 版本 Ver.D 2300/120H 版本 Ver.C

| Mark | Before modification | After modification | Modified by | Modify date | Checked by | Proofread by | Designer | Drawer | Version | F | Title  | Drawing NO.                         | Scale | Page      |
|------|---------------------|--------------------|-------------|-------------|------------|--------------|----------|--------|---------|---|--|-------------------------------------|-------|-----------|
|      |                     |                    |             | 20160816    |            |              |          |        |         |   | SCD-160U(230U)/120H-LC<br>Electrical Diagram 5 | SCD-160U(230U)/120H-LC-CE-4.00V-F-5 | CE    | 5         |
|      |                     |                    |             |             |            |              |          |        |         |   |  |                                     |       | Totally 9 |
|      |                     |                    |             |             |            |              |          |        |         |   |  |                                     |       | Pages     |
|      |                     |                    |             |             |            |              |          |        |         |   |  |                                     |       | 400V      |
|      |                     |                    |             |             |            |              |          |        |         |   |  |                                     |       | 50HZ      |





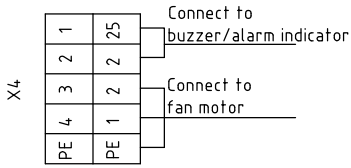
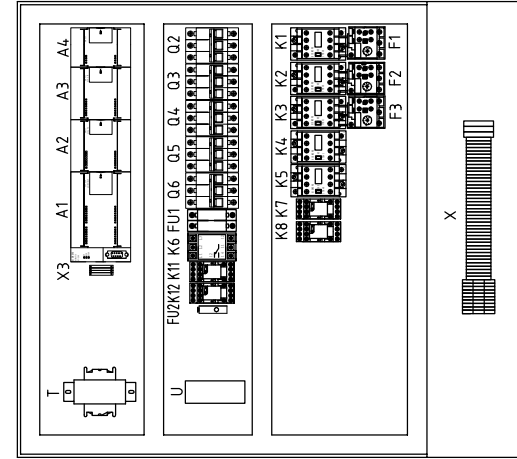
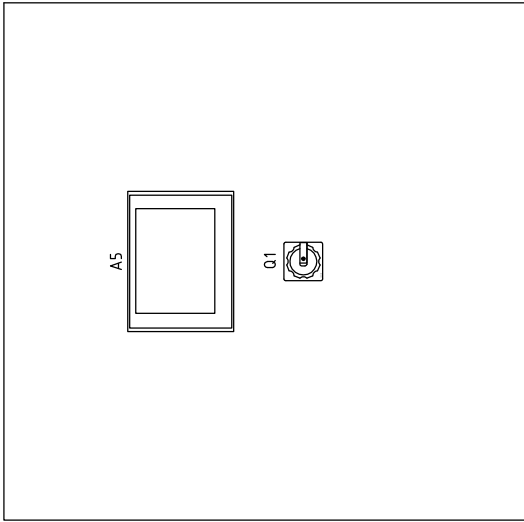
1600/120H 版本 Ver.D 2300/120H 版本 Ver.C

|                                      |  |  |  |   |           |
|--------------------------------------|--|--|--|---|-----------|
| Title                                |  | Drawing NO.                                |  | Scale                                   | Page      |
| SCD-160U(230U)/120H-LC               |  | SCD-160U(230U)/120H-LC-CE-4.00V-F-6        |  | Standard                                | 6         |
| Electrical Diagram 6                 |  |  |  |   | Totally 9 |
|                                      |  |  |  | Voltage                                 | 400V      |
|                                      |  |  |  | Frequency                               | 50HZ      |
| Version                              |  | Approved by                                |  | Pages                                   |           |
|                                      |  |  |  | Totally 9                               |           |
| Date                                 |  | 20160816                                   |  |   |           |
| Drying temp. deflection thermocouple |  | Regeneration temp. deflection thermocouple |  | Return air temp. detection thermocouple |           |
| S7                                   |  | S8   |  | S9                                      |           |
| Dew-point transducer (Option)        |  |  |  |   |           |
| S10                                  |  |  |  |   |           |
| Before modification                  |  | After modification                         |  | Modified by                             |           |
|                                      |  |  |  |   |           |
| Mark                                 |  | Modify date                                |  | Checked by                              |           |
|                                      |  |  |  |   |           |
|                                      |  | Proofread by                               |  | Designer                                |           |
|                                      |  |  |  |   |           |
|                                      |  | Drawer                                     |  | Version                                 |           |
|                                      |  |  |  |   |           |
|                                      |  | F  |  | Title                                   |           |
|                                      |  |  |  | SCD-160U(230U)/120H-LC                  |           |
|                                      |  |  |  | Electrical Diagram 6                    |           |
|                                      |  |  |  | Drawing NO.                             |           |
|                                      |  |  |  | SCD-160U(230U)/120H-LC-CE-4.00V-F-6     |           |
|                                      |  |  |  | Standard                                |           |
|                                      |  |  |  | Page                                    |           |
|                                      |  |  |  | 6                                       |           |
|                                      |  |  |  | Totally                                 |           |
|                                      |  |  |  | 9                                       |           |
|                                      |  |  |  | Pages                                   |           |
|                                      |  |  |  | Voltage                                 |           |
|                                      |  |  |  | 400V                                    |           |
|                                      |  |  |  | Frequency                               |           |
|                                      |  |  |  | 50HZ                                    |           |
|                                      |  |  |  | Page                                    |           |
|                                      |  |  |  | 6                                       |           |
|                                      |  |  |  | Totally                                 |           |
|                                      |  |  |  | 9                                       |           |
|                                      |  |  |  | Pages                                   |           |
|                                      |  |  |  | Voltage                                 |           |
|                                      |  |  |  | 400V                                    |           |
|                                      |  |  |  | Frequency                               |           |
|                                      |  |  |  | 50HZ                                    |           |





1 2 3 4 5 6 7 8



X3

|    |    |    |                                    |
|----|----|----|------------------------------------|
| 9  | 8  | 7  |                                    |
| V+ | V+ | V+ | Connect to material level sensor 1 |
| V- | V- | V- | Connect to material level sensor 2 |
| V- | V- | V- | Connect to material level sensor 3 |

X2

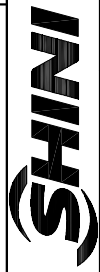
|    |    |    |    |    |                                       |
|----|----|----|----|----|---------------------------------------|
| 3  | 20 | 21 | 22 | 26 |                                       |
| PE | PE | PE | PE | PE | Connect to honeycomb rotor motor      |
| 2  | 2  | 2  | 2  | 2  | Connect to diaphragm valve 1          |
| 2  | 2  | 2  | 2  | 2  | Connect to diaphragm valve 2          |
| 2  | 2  | 2  | 2  | 2  | Connect to diaphragm valve 3 (Option) |
| 3  | 20 | 21 | 22 | 26 | Connect to shut off valve 1           |

X1

|    |    |    |    |    |    |    |    |    |  |                               |                            |                            |                            |                            |                                |                          |                                |                          |                          |                        |    |    |    |    |    |    |    |    |
|----|----|----|----|----|----|----|----|----|--|-------------------------------|----------------------------|----------------------------|----------------------------|----------------------------|--------------------------------|--------------------------|--------------------------------|--------------------------|--------------------------|------------------------|----|----|----|----|----|----|----|----|
| 28 | 27 | 26 | 25 | 24 | 23 | 22 | 21 | 20 | 19                                       | 18                            | 17                         | 16                         | 15                         | 14                         | 13                             | 12                       | 11                             | 10                       | 9                        | 8                      | 7  | 6  | 5  | 4  | 3  | 2  | 1  | PE |
| V+ | E- | V- | V- | V- | V- | V- | V- | V- | U1                                       | W1                            | PE                         | U2                         | W2                         | PE                         | U3                             | W3                       | PE                             | U5                       | W5                       | PE                     | U4 | W4 | PE | L1 | L2 | L3 | PE |    |
|    |    |    |    |    |    |    |    |    | Connect to dew point transducer (option) | Connect to rotor micro switch | Connect to temp. protector | Connect to temp. protector | Connect to temp. protector | Connect to temp. protector | Connect to regeneration blower | Connect to suction motor | Connect to regeneration heater | Connect to drying blower | Connect to drying heater | Connect to power lines |    |    |    |    |    |    |    |    |

1600/120H 版本 Ver.D 2300/120H 版本 Ver.C

|      |                     |             |             |            |              |          |        |         |          |             |  |                        |                                    |       |          |    |      |   |         |      |       |      |      |
|------|---------------------|-------------|-------------|------------|--------------|----------|--------|---------|----------|-------------|--|------------------------|------------------------------------|-------|----------|----|------|---|---------|------|-------|------|------|
| Mark | Before modification | Modified by | Modify date | Checked by | Proofread by | Designer | Drawer | Version | F        | Title       | SCD-160U(230U)/120H-LC<br>Electrical Components Layout | Drawing NO.            | SCD-160U(230U)/120H-LC-CE-400V-F-7 | Scale | Standard | CE | Page | 7 | Totally | 9    | Pages | 400V | 50HZ |
| Mark | After modification  | Modified by | Modify date | Checked by | Proofread by | Designer | Drawer | Version | 20160816 | Approved by | Electrical Components Layout                           | SCD-160U(230U)/120H-LC | Standard                           | CE    | CE       | CE | 7    | 9 | 9       | 400V | 50HZ  |      |      |



信易電熱機械股份有限公司  
Shini Plastics Technologies, Inc.

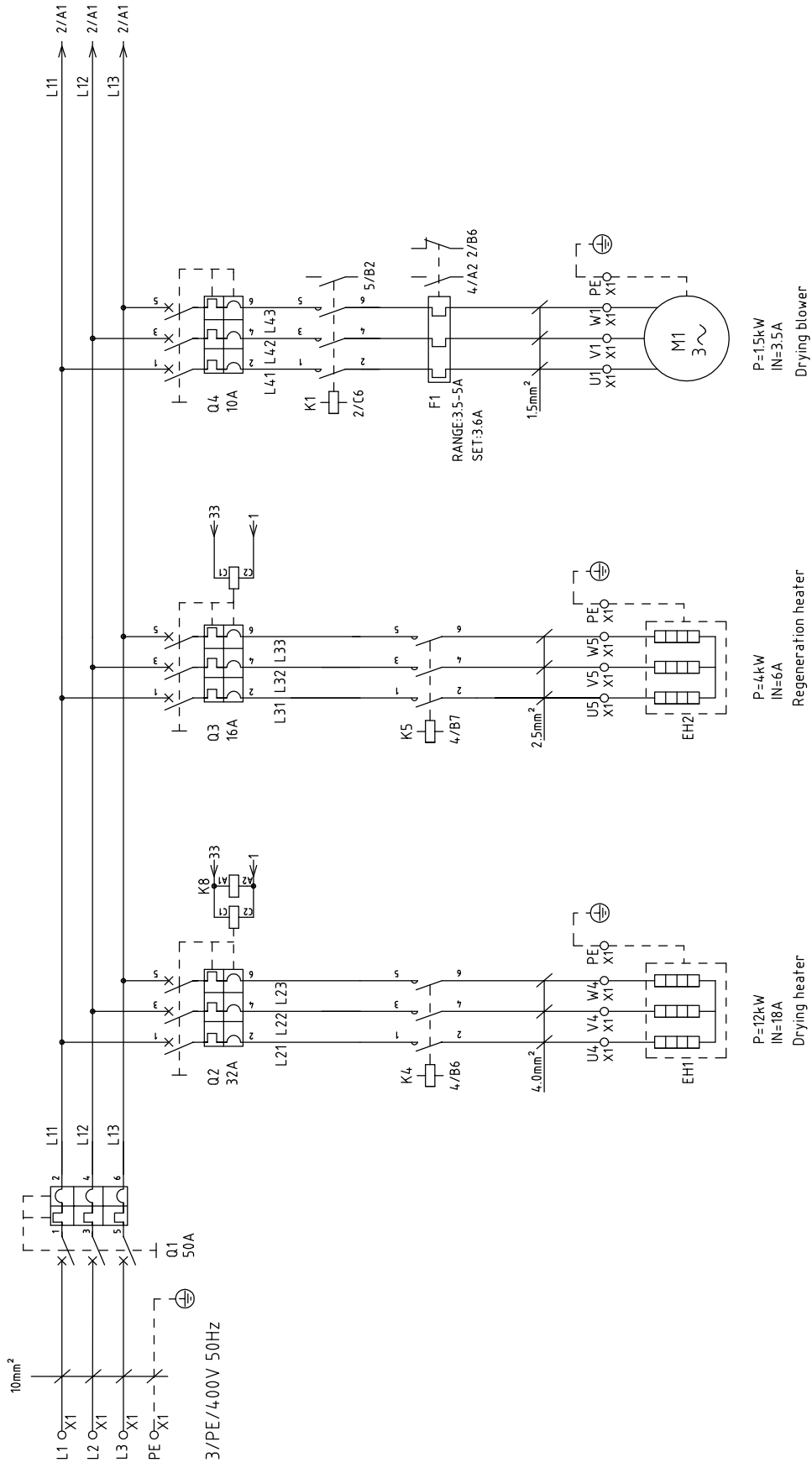
1 2 3 4 5 6 7 8

| 1                  | 2        |                         | 3                  | 4                | 5   | 6      | 7               | 8      |
|--------------------|----------|-------------------------|--------------------|------------------|---|--------|-----------------|--------|
| NO.                | Symbol   | Name                    | Manufacturer       | Type             | Specification   | Number | Material number | Remark |
| 1                  | Q1       | Main switch             | MOELLER            | P1-25-EA/SVB     | 25A   | 1      | YE10125250000   |        |
| 2                  | Q2 Q3 Q6 | Circuit-breaker         | TECO               | BM-63C 3P        | 10A   | 3      | YE40301003000   |        |
| 3                  |          | Excitation release      | TECO               | MX               | 220V 50/60Hz  | 2      | YE40023560000   |        |
| 4                  | Q4 Q5    | Circuit-breaker         | TECO               | BM-63C 3P        | 6A  | 2      | YE40300603000   |        |
| 5                  | K1       | Contactor               | SIEMENS            | 3RT6016-1AN21    | 220V 50/60Hz  | 1      | YE00601621000   |        |
| 6                  | K2       | Contactor               | SIEMENS            | 3RT6016-1AN21    | 220V 50/60Hz  | 1      | YE00601621000   |        |
| 7                  | K3       | Contactor               | SIEMENS            | 3RT6016-1AN21    | 220V 50/60Hz  | 1      | YE00601621000   |        |
| 8                  | K4       | Contactor               | SIEMENS            | 3RT6018-1AN21    | 220V 50/60Hz  | 1      | YE00601800000   |        |
| 9                  | K5       | Contactor               | SIEMENS            | 3RT6017-1AN21    | 220V 50/60Hz  | 1      | YE00601721000   |        |
| 10                 | K6       | Phase relay             | CHAOSHI            | ABJ-10W          | 400V 50/60Hz  | 1      | YE03103800000   |        |
| 11                 | K7 K8    | Middle relay            | WEIDMULLER         | DRM270730LT      | 220V 50/60Hz  | 2      | YE03270700000   |        |
| 12                 | K11 K12  | Middle relay            | WEIDMULLER         | DRM270724LT      | 24V DC  | 2      | YE03272400000   |        |
| 13                 | F1       | Thermo overload relay   | SIEMENS            | 3RU6116-IDB0     | 2.2-3.2A  | 1      | YE01160220000   |        |
| 14                 | F2       | Thermo overload relay   | SIEMENS            | 3RU6116-1AB0     | 1.1-1.6A  | 1      | YE01160110000   |        |
| 15                 | F3       | Thermo overload relay   | SIEMENS            | 3RU6116-1FB0     | 3.5-5A  | 1      | YE01160350000   |        |
| 16                 | A1       | PLC                     | SIEMENS            | CPU224 AC/DC/RLY | 100-230VAC 50/60Hz  | 1      | YE81022400100   |        |
| 17                 | A2       | PLC Expansion module    | SIEMENS            | EM231 4xTC       | --  | 1      | YE82023100100   |        |
| 18                 | A3       | PLC Expansion module    | SIEMENS            | EM231 4xAI       | --  | 1      | YE82023100000   | (2)    |
| 19                 | A4       | PLC Expansion module    | SIEMENS            | EM223            | 4-in 24VDC, 4-out 24VDC, transistor-out   | 1      | YE82022300200   |        |
| 20                 | A5       | Human-machine interface | SCHNEIDER          | GX03501          | 24VDC   | 1      | YE80350100100   |        |
| 21                 | FU1      | Fuse base               | CHINT              | RT18-32          | 2P  | 1      | YE41032200000   |        |
| 22                 |          | Fuse                    | CHINT              | 10x38 500V       | 2A  | 2      | YE46002000100   |        |
| 23                 | FU2      | Fuse                    | YINDA              | FS-10            | 2A  | 1      | YE41001000000   |        |
| 24                 | T        | Transformer             | --                 | --               | IN=400V OUT=230V 500mA  | 1      | YE70402300800   |        |
| 25                 | U        | DC power                | MEAN WELL          | NES-35-24        | OUT=DC24V 1.5A  | 1      | YE71352400100   |        |
| 1600/1200 版本 Ver.D |          |                         | 2300/1200 版本 Ver.C |                  | Notes: (1)Means it's not the material inside the control box. (2)Stands for optional. |        |                 |        |
| D                  |          |                         | Drawer             | Version          | Title   |        | Scale           |        |
|                    |          |                         | Designer           | B                | SCD-160U(230U)/120H-LC  |        | Page 8          |        |
|                    |          |                         | Proofread by       | Approved by      | Electrical Components list 1  |        | Standard        |        |
|                    |          |                         | Checked by         | Date             | SCD-160U(230U)/120H-LC-CE-400V-F-8  |        | Voltage         |        |
| Mark               |          |                         | Modified by        | 20160816         | Frequency   |        | 400V            |        |
|                    |          |                         | Modify date        |                  | Frequency   |        | 50HZ            |        |
| 1                  |          |                         | 4                  |                  | 5   |        | 6               |        |
| 2                  |          |                         | 3                  |                  | 7   |        | 8               |        |



信易電熱機械股份有限公司  
Shini Plastics Technologies, Inc.



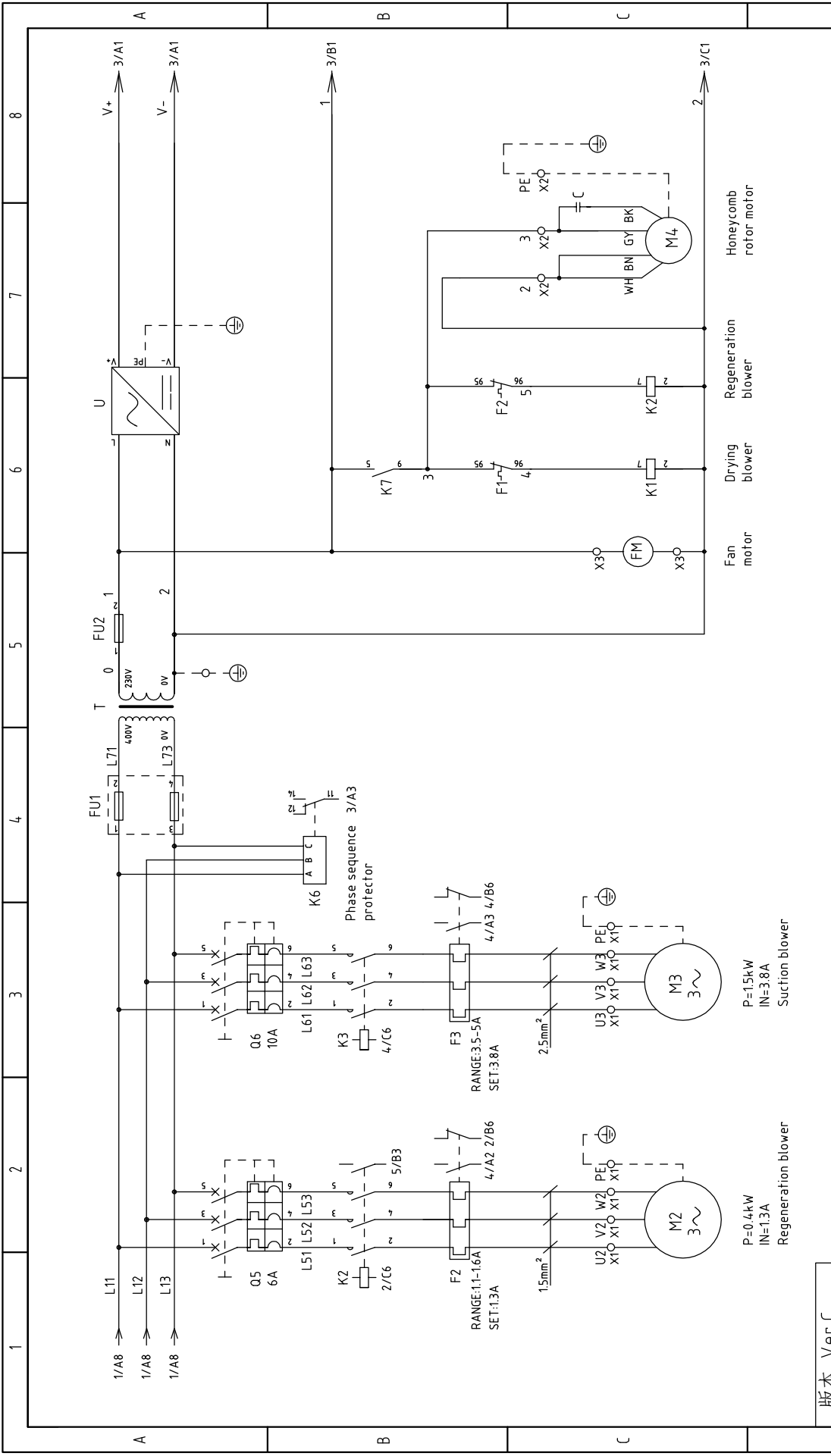


版本 Ver.C

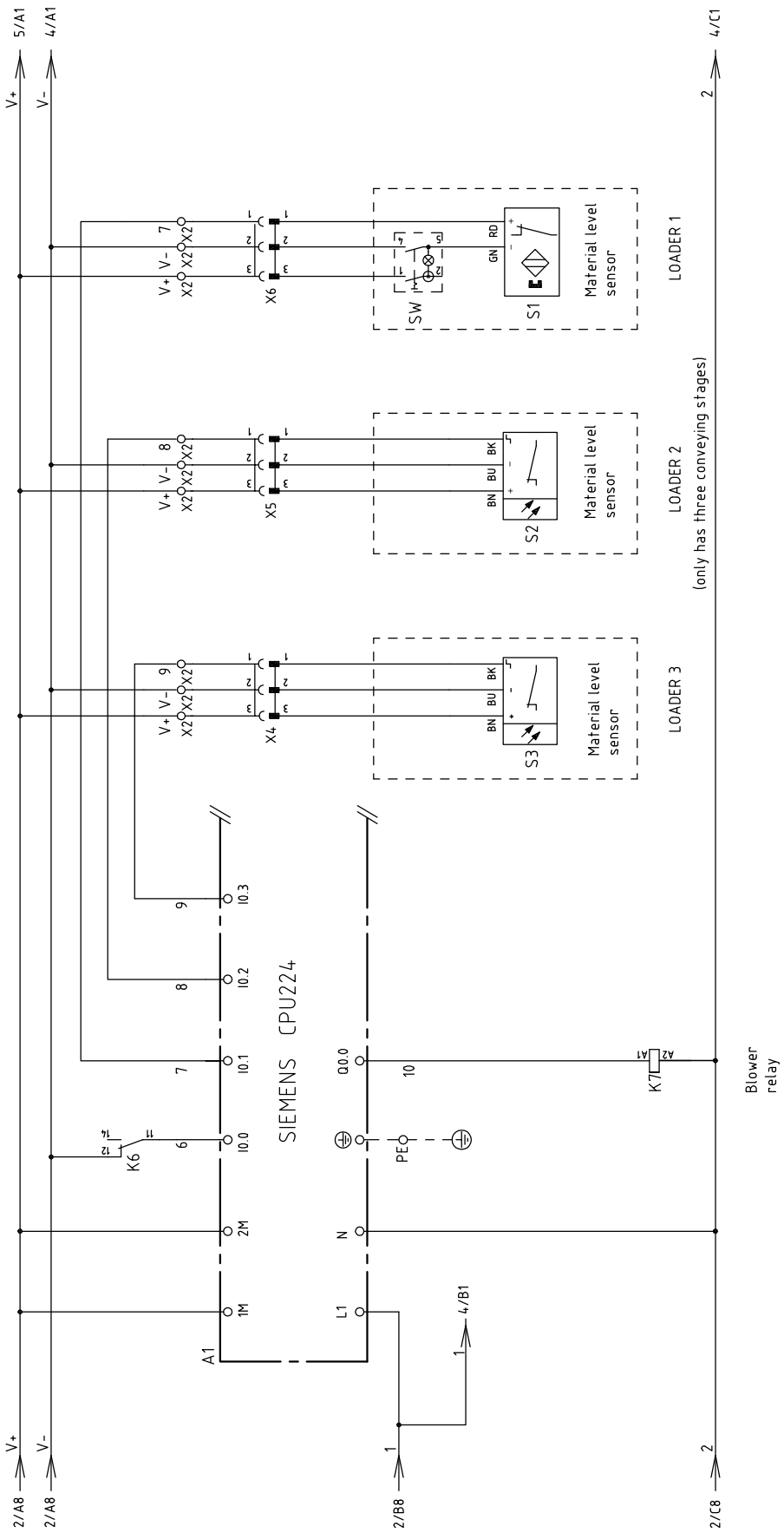
Note:For 60Hz,the regenerative heater is 6kW

|              |                     |  |   |           |   |                  |   |   |   |
|--------------|---------------------|--|---|-----------|---|------------------|---|---|---|
| Mark         | Before modification | Modified by  | 2   | 3         | 4 | 5                | 6 | 7 | 8 |
|              | After modification  | Modified by  | 2   | 3         | 4 | 5                | 6 | 7 | 8 |
| Proofread by | Checked by          | Date   | 20160914  |           |   |                  |   |   |   |
| Designer     | Approved by         | Title SCD-300U(4.50U)/200H-LC Electrical Diagram 1 |   |           |   |                  |   |   |   |
| Drawer       | Version             | G  | Drawing NO. SCD-300U(4.50U)/200H-LC-CE-400V-G-1 |           |   |                  |   |   |   |
| Scale        |                     | Standard   | CE  | Page 1    |   | Totally 10 Pages |   |   |   |
| Voltage      |                     | 400V   |   | Frequency |   | 50HZ             |   |   |   |





|   |   |                           |                   |                      |                          |   |                                    |
|---|---|---------------------------|-------------------|----------------------|--------------------------|---|------------------------------------|
| <p>版本 Ver.C</p>   | <p>Title SCD-300U(4.50U)/200H-LC<br/>Electrical Diagram 2</p> |                           |                   |                      | <p>Scale Standard CE</p> | <p>Drawing NO. SCD-300U(4.50U)/200H-LC-CE-4.00V-G-2</p> | <p>Page 2<br/>Totally 10 Pages</p> |
| <p>Mark</p>   | <p>Before modification</p>                                    | <p>After modification</p> | <p>Checked by</p> | <p>Date 20160914</p> | <p>20160914</p>          | <p>Voltage 400V<br/>Frequency 50HZ</p>                  | <p>Page 2<br/>Totally 10 Pages</p> |
| <p>SHINI 信易電熱機械股份有限公司<br/>Shini Plastics Technologies, Inc.</p> |   |                           | <p>Version G</p>  |                      | <p>8</p>                 |   |                                    |



|          |                     |             |             |      |                  |      |   |   |   |   |
|----------|---------------------|-------------|-------------|------|------------------|------|---|---|---|---|
| Mark     | Before modification | Modified by | Modify date | 2    | 3                | 4    | 5 | 6 | 7 | 8 |
| Version  | Ver.C               | Designer    | Approved by | G    |                  |      |   |   |   |   |
| Scale    | Standard            | CE          |             | Page |                  | 3    |   |   |   |   |
| Standard | Voltage             |             | Frequency   |      | Totally 10 Pages |      |   |   |   |   |
| Voltage  |                     | Frequency   |             | 400V |                  | 50HZ |   |   |   |   |

版本 Ver.C

Blower relay

SIEMENS CPU224

Material level sensor

Material level sensor

Material level sensor

Material level sensor

LOADER 1  
LOADER 2  
LOADER 3  
(only has three conveying stages)

2/C8 1 2 3 4 5 6 7 8

2/B8 1 2 3 4 5 6 7 8

2/A8 1 2 3 4 5 6 7 8

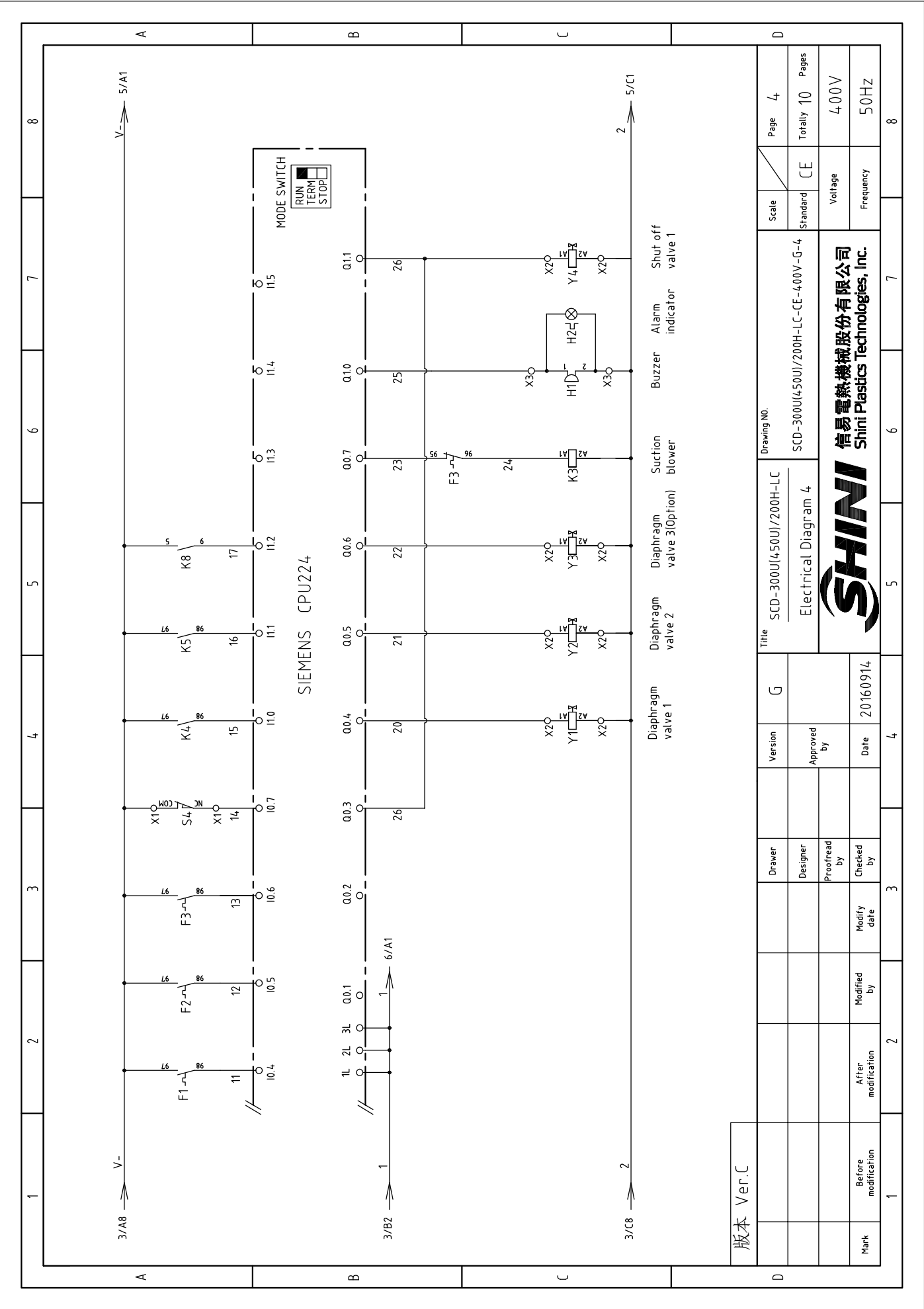
2/A1 1 2 3 4 5 6 7 8

2/A8 1 2 3 4 5 6 7 8

2/A8 1 2 3 4 5 6 7 8

2/A8 1 2 3 4 5 6 7 8

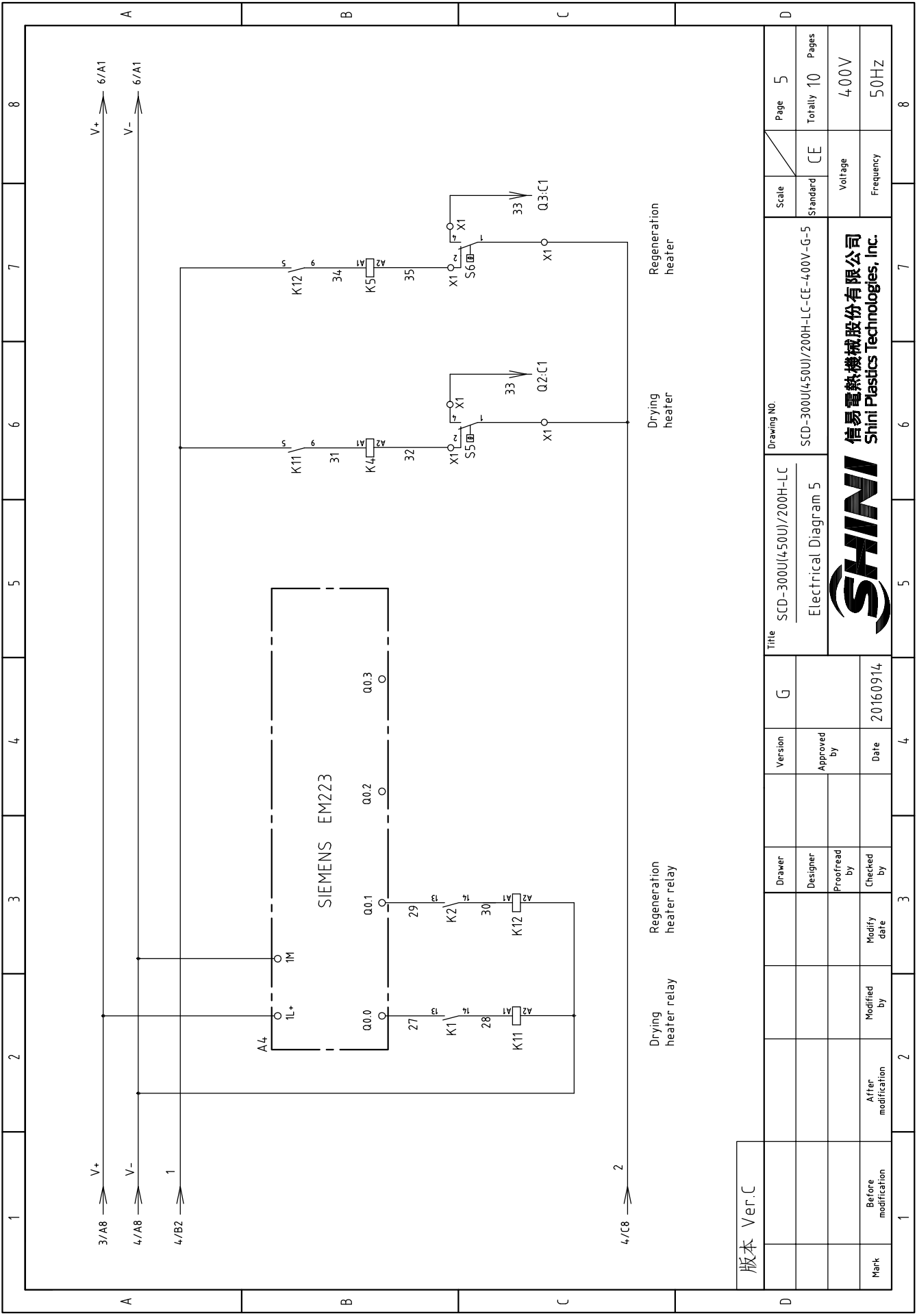
2/A8 1 2 3 4 5 6 7 8




|                      |  |                                    |  |   |  |                  |  |
|----------------------|--|------------------------------------|--|---|--|------------------|--|
| Version              |  |                                    |  | G |  |                  |  |
| Title                |  | SCD-300U(450U)/200H-LC             |  |   |  | Drawing NO.      |  |
| Electrical Diagram 4 |  | SCD-300U(450U)/200H-LC-CE-400V-G-4 |  |   |  | Standard         |  |
| CE                   |  | Voltage                            |  |   |  | Page 4           |  |
| Frequency            |  | 400V                               |  |   |  | Totally 10 Pages |  |
| Frequency            |  | 50HZ                               |  |   |  | 8                |  |



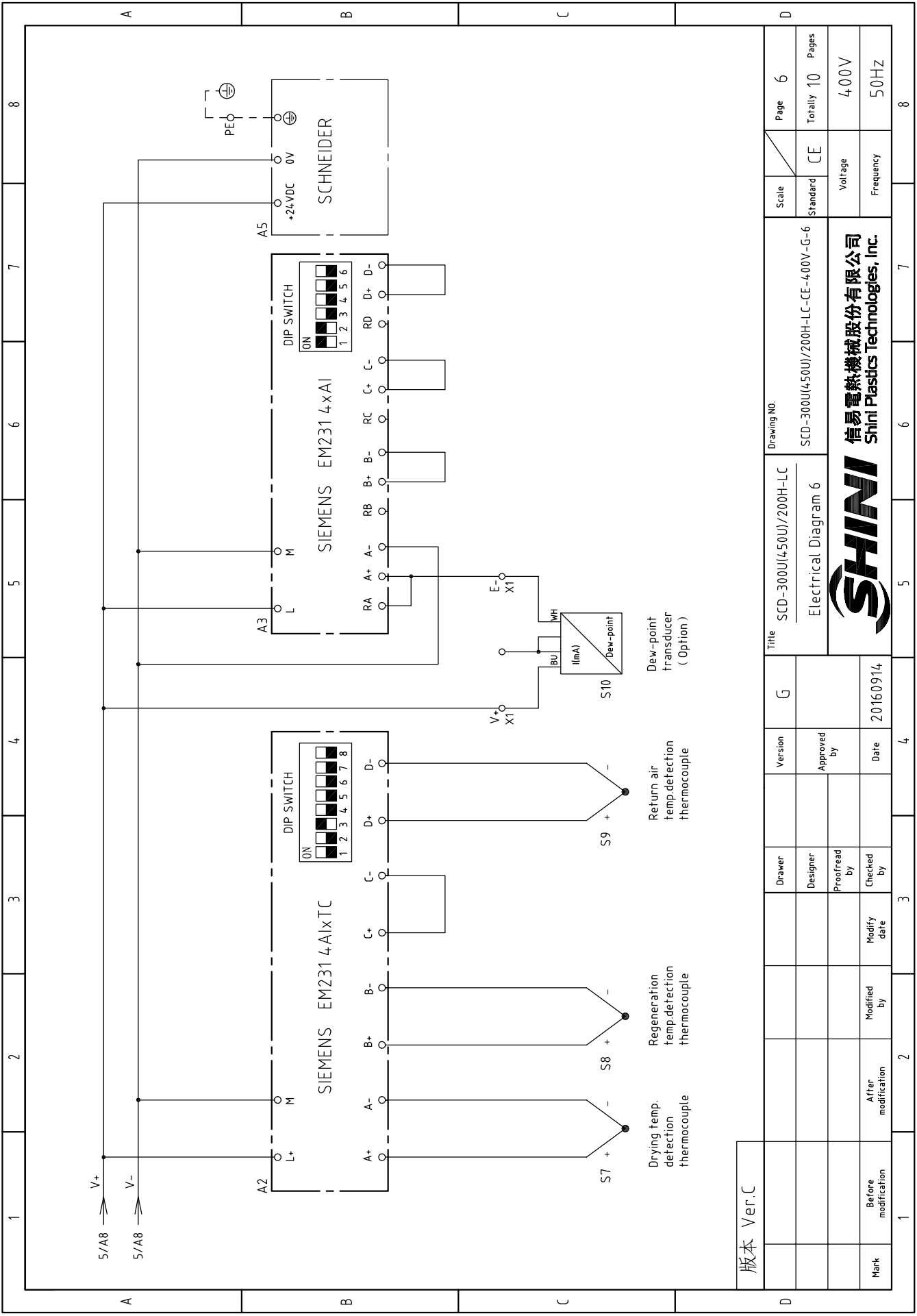
|      |                     |             |               |            |          |
|------|---------------------|-------------|---------------|------------|----------|
| Mark | Before modification | Modified by | Modified date | Checked by | Date     |
|      |                     |             |               |            | 20160914 |



版本 Ver.C

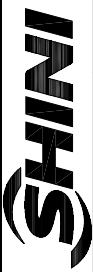
|  |                     |             |             |         |                         |       |                                     |             |           |      |      |          |
|--|---------------------|-------------|-------------|---------|-------------------------|-------|-------------------------------------|-------------|-----------|------|------|----------|
| Mark   | Before modification | Modified by | Modify date | Version | G                       | Title | Drawing NO.                         |             | Scale     | Page | 5    |          |
|  | After modification  | Modified by | Modify date |         |                         |       | Designer                            | Approved by |           |      |      | Standard |
|  |                     |             |             |         | SCD-300U(4.50U)/200H-LC |       | SCD-300U(4.50U)/200H-LC-CE-400V-G-5 |             | Voltage   |      | 400V |          |
|  |                     |             |             |         | Electrical Diagram 5    |       |                                     |             | Frequency |      | 50HZ |          |
| <br>信易電熱機械股份有限公司<br>Shini Plastics Technologies, Inc. |                     |             |             |         |                         |       |                                     |             |           |      |      |          |
| 1  | 2                   | 3           | 4           | 5       | 6                       | 7     | 8                                   |             |           |      |      | 8        |



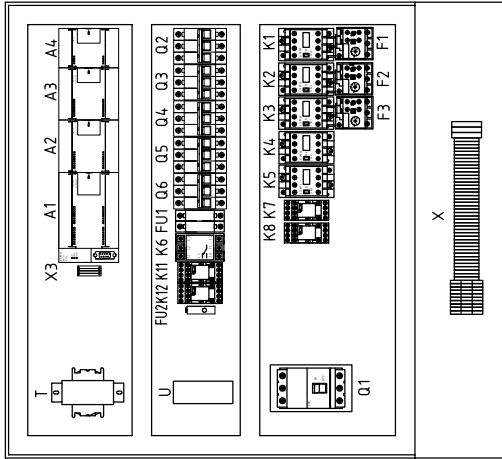
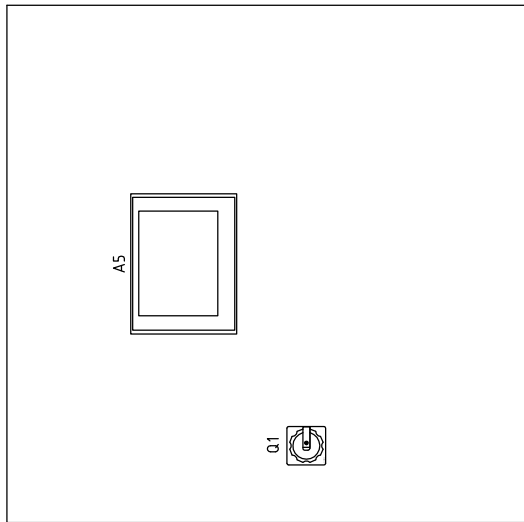


版本 Ver.C

|      |                     |                    |             |             |            |              |          |        |         |   |   |                 |   |                   |                   |           |               |       |
|------|---------------------|--------------------|-------------|-------------|------------|--------------|----------|--------|---------|---|---|-----------------|---|-------------------|-------------------|-----------|---------------|-------|
| Mark | Before modification | After modification | Modified by | Modify date | Checked by | Proofread by | Designer | Drawer | Version | G | Title<br>SCD-300U(450U)/200H-LC<br>Electrical Diagram 6 |                 | Drawing NO.<br>SCD-300U(450U)/200H-LC-CE-400V-G-6 |                   | Scale<br>Standard | Page<br>6 | Totally<br>10 | Pages |
|      |                     |                    |             |             |            |              |          |        |         |   |   | Voltage<br>400V |   | Frequency<br>50HZ |                   |           |               |       |



信易電熱機械股份有限公司  
Shini Plastics Technologies, Inc.



X4

|   |   |   |    |
|---|---|---|----|
| 4 | 3 | 2 | 1  |
| 1 | 2 | 2 | 25 |

Connect to buzzer/alarm indicator  
Connect to fan motor

X1

|      |    |    |    |    |    |    |    |    |    |    |    |    |    |    |    |    |    |    |    |    |    |    |    |    |    |    |    |    |    |
|------|----|----|----|----|----|----|----|----|----|----|----|----|----|----|----|----|----|----|----|----|----|----|----|----|----|----|----|----|----|
| 28   | 27 | 26 | 25 | 24 | 23 | 22 | 21 | 20 | 19 | 18 | 17 | 16 | 15 | 14 | 13 | 12 | 11 | 10 | 9  | 8  | 7  | 6  | 5  | 4  | 3  | 2  | 1  |    |    |
| V+E- | V- | 14 | 33 | 32 | 2  | 33 | 35 | U1 | V1 | W1 | PE | U2 | V2 | W2 | PE | U3 | V3 | W3 | PE | U5 | V5 | W5 | PE | U4 | V4 | W4 | PE | L3 | PE |

Connect to power lines  
Connect to drying heater  
Connect to regeneration heater  
Connect to suction motor  
Connect to regeneration blower  
Connect to drying blower  
Connect to temp. protector  
Connect to temp. protector  
Connect to rotor micro switch  
Connect to dew point transducer (option)

X2

|    |    |    |    |    |
|----|----|----|----|----|
| 3  | 20 | 21 | 22 | 26 |
| PE | PE | PE | PE | PE |
| PE | V+ | V+ | V+ | V+ |

Connect to shut off valve 1  
Connect to diaphragm valve 3(Optional)  
Connect to diaphragm valve 2  
Connect to diaphragm valve 1  
Connect to honeycomb rotor motor

X3

|    |    |    |
|----|----|----|
| 9  | 8  | 7  |
| V+ | V+ | V+ |
| V- | V- | V- |

Connect to material level sensor 1  
Connect to material level sensor 2  
Connect to material level sensor 3

版本 Ver.C Note: Power cable can directly connected to the breaker interlock which not pass by the terminal board.

|      |                     |             |             |            |              |          |        |       |         |   |             |      |          |  |          |    |                                      |       |   |
|------|---------------------|-------------|-------------|------------|--------------|----------|--------|-------|---------|---|-------------|------|----------|--|----------|----|--------------------------------------|-------|---|
| Mark | Before modification | Modified by | Modify date | Checked by | Proofread by | Designer | Drawer | Title | Version | G | Approved by | Date | 20160914 | SHINI<br>信易电热机械股份有限公司<br>Shini Plastics Technologies, Inc. | Standard | CE | Voltage<br>400V<br>Frequency<br>50HZ | Page  | 7 |
|      |                     |             |             |            |              |          |        |       |         |   |             |      |          |  |          |    |                                      |       |   |
|      |                     |             |             |            |              |          |        |       |         |   |             |      |          |  |          |    |                                      | Pages | 8 |



Drawing NO.

SCD-300U(4.50U)/200H-LC  
Electrical Components Layout

SCD-300U(4.50U)/200H-LC-CE-400V-G-7

| 1   | 2       |                         | 3                                      | 4                | 5                                       | 6      | 7                               | 8      |
|---|---------|-------------------------|--|------------------|---|--------|---------------------------------|--------|
| NO.   | Symbol  | Name                    | Manufacturer                           | Type             | Specification                           | Number | Material number                 | Remark |
| 1   | Q1      | Main switch             | ABB                                    | A1A125TMF50      | 50A                                     | 1      | YE4.1105200000                  |        |
| 2   | Q2      | Circuit-breaker         | TECO                                   | BM-63C 3P        | 32A                                     | 1      | YE4.0303203000                  |        |
| 3   | Q3      | Circuit-breaker         | TECO                                   | BM-63C 3P        | 16A                                     | 1      | YE4.0301603000                  |        |
| 4   |         | Excitation release      | CHINT                                  | MX               | 220V 50/60Hz                            | 2      | YE4.0023560000                  |        |
| 5   | Q4 Q6   | Circuit-breaker         | CHINT                                  | BM-63C 3P        | 10A                                     | 2      | YE4.0301003000                  |        |
| 6   | Q5      | Circuit-breaker         | CHINT                                  | BM-63C 3P        | 6A                                      | 1      | YE4.0300603000                  |        |
| 7   | K1      | Contactor               | SIEMENS                                | 3RT6016-1AN21    | 220V 50/60Hz                            | 1      | YE00601621000                   |        |
| 8   | K2      | Contactor               | SIEMENS                                | 3RT6016-1AN21    | 220V 50/60Hz                            | 1      | YE00601621000                   |        |
| 9   | K3      | Contactor               | SIEMENS                                | 3RT6016-1AN21    | 220V 50/60Hz                            | 1      | YE00601621000                   |        |
| 10  | K4      | Contactor               | SIEMENS                                | 3RT6027-1AN20    | 220V 50/60Hz                            | 1      | YE0060272000                    |        |
| 11  | K5      | Contactor               | SIEMENS                                | 3RT6018-1AN21    | 220V 50/60Hz                            | 1      | YE00601821000                   |        |
| 12  | K6      | Phase relay             | CHAOSHI                                | ABJ-10W          | 400V 50/60Hz                            | 1      | YE03103800000                   |        |
| 13  | K7 K8   | Middle relay            | WEIDMULLER                             | DRM270730LT      | 220V 50/60Hz                            | 2      | YE03270700000                   |        |
| 14  | K11 K12 | Middle relay            | WEIDMULLER                             | DRM270724LT      | 24V DC                                  | 2      | YE03272400000                   |        |
| 15  | F1      | Thermo overload relay   | SIEMENS                                | 3RU6116-1FB0     | 3.5-5A                                  | 1      | YE01160350000                   |        |
| 16  | F2      | Thermo overload relay   | SIEMENS                                | 3RU6116-1AB0     | 1.1-1.6A                                | 1      | YE01160110000                   |        |
| 17  | F3      | Thermo overload relay   | SIEMENS                                | 3RU6116-1FB0     | 3.5-5A                                  | 1      | YE01160350000                   |        |
| 18  | A1      | PLC                     | SIEMENS                                | CPU224 AC/DC/RLY | 100-230VAC 50/60Hz                      | 1      | YE81022400100                   |        |
| 19  | A2      | PLC Expansion module    | SIEMENS                                | EM231 4xTC       | --                                      | 1      | YE82023100100                   |        |
| 20  | A3      | PLC Expansion module    | SIEMENS                                | EM231 4xAI       | --                                      | 1      | YE82023100000                   | (2)    |
| 21  | A4      | PLC Expansion module    | SIEMENS                                | EM223            | 4-in 24VDC, 4-out 24VDC, transistor-out | 1      | YE82022300200                   |        |
| 22  | A5      | Human-machine interface | SCHNEIDER                              | GXU3512          | 24VDC                                   | 1      | YE80351200200                   |        |
| 23  | FU1     | Fuse base               | CHINT                                  | RT18-32          | 2P                                      | 1      | YE4.1032200000                  |        |
| 24  |         | Fuse                    | CHINT                                  | 10x38 500V       | 2A                                      | 2      | YE4.6002000100                  |        |
| 25  | FU2     | Fuse                    | YINDA                                  | FS-10            | 2A                                      | 1      | YE4.10010000000                 |        |
| <b>版本 Ver.C</b> Notes: (1)Means it's not the material inside the control box. (2)Stands for optional. |         |                         |  |                  |   |        |                                 |        |
| D   |         |                         | Drawing NO.<br>SCD-300U(4.50U)/200H-LC |                  | Title<br>SCD-300U(4.50U)/200H-LC        |        | Scale<br>Standard               |        |
| Electrical Components list 1  |         |                         | Version<br>G                           |                  | Approved by                             |        | Page 8<br>CE<br>Voltage<br>400V |        |
| Mark<br>Before modification<br>Modified by<br>Modify date   |         |                         | Checked by<br>Date<br>20160914         |                  | Proofread by                            |        | Frequency<br>50HZ               |        |
| Totaly 10 Pages   |         |                         | Date<br>20160914                       |                  | Date<br>20160914                        |        | Totaly 10 Pages<br>400V<br>50HZ |        |



信易電熱機械股份有限公司  
Shini Plastics Technologies, Inc.

| 1   | 2        |                       | 3                            | 4                       | 5                      | 6          | 7               | 8        |
|---|----------|-----------------------|------------------------------|-------------------------|------------------------|------------|-----------------|----------|
| NO.   | Symbol   | Name                  | Manufacturer                 | Type                    | Specification          | Number     | Material number | Remark   |
| 26  | T        | Transformer           | --                           | --                      | IN=400V OUT=230V 500mA | 1          | YE70402300800   |          |
| 27  | U        | DC power              | MEAN WELL                    | NES-35-24               | OUT=DC24V 1.5A         | 1          | YE71352400100   |          |
| 28  | S1       | Reed switch           | FOTEK                        | FC-12V                  | 24VDC                  | 1          | -----           | (1)      |
| 29  | S2 S3    | Photoelectric switch  | FOTEK                        | T18-3MNB-PE             | 24VDC                  | 2          | YE15143900000   | (1)      |
| 30  | S4       | Micro switch          | TEND                         | LXW5-11G1               | 250V 5(4)A             | 1          | YE14152400000   | (1)      |
| 31  | S5       | Temperature protector | ----                         | -----                   | 250V 5(4)A             | 1          | -----           | (1)      |
| 32  | S6       | Temperature protector | ----                         | -----                   | 250V 5(4)A             | 1          | -----           | (1)      |
| 33  | S7 S8 S9 | Thermocouple          | SHINI                        | ST-K                    | K                      | 3          | -----           | (1)      |
| 34  | S10      | Dew-point transducer  | CS                           | CS 217-OEM              | POWER=24VDC OUT=4-20mA | 1          | YE90021700100   | (2)      |
| 35  | Y1-Y5    | Solenoid valve        | --                           | MSFW-230-50/60          | 220V 50/60Hz           | 5          | -----           | (1)      |
| 36  | H1       | Buzzer                | HITPOINT                     | PF-35A                  | 60-250V                | 1          | YE84003500200   | (1)      |
| 37  | H2       | Alarm indicator       | SHINI                        | LED-3051                | 220V 50/60Hz           | 1          | YE83305100200   | (1)      |
| 38  | X1       | Terminal board        | --                           | 10mm <sup>2</sup>       | 41A 690V               | 3          | YE60001003200   |          |
| 39  |          |                       |                              | 10mm <sup>2</sup> PE    | -                      | 1          | YE60001003500   |          |
| 40  |          |                       |                              | 4mm <sup>2</sup>        | 41A 690V               | 15         | YE60000403200   |          |
| 41  |          |                       |                              | 4mm <sup>2</sup> PE     | -                      | 5          | YE60000403500   |          |
| 42  |          |                       |                              | 2.5mm <sup>2</sup>      | 32A 690V               | 8          | YE60002503200   |          |
| 43  |          |                       |                              | 2.5mm <sup>2</sup>      | 32A 690V               | 2          | YE60002503200   | (2)      |
| 44  | X2       |                       |                              | 2.5mm <sup>2</sup>      | 32A 690V               | 10         | YE60002503200   |          |
| 45  | X4       |                       |                              | 2.5mm <sup>2</sup>      | 32A 690V               | 4          | YE60002503200   |          |
| 46  | X3       | Terminal board        | ----                         | ZDIK 1.5                | 10A 250V               | 4          | YE60001500000   |          |
| 47  |          |                       |                              | FBSTB 10-ZDIK RD        | 10A 250V               | 4          | YE60001000200   |          |
| 48  |          |                       |                              | FBSTB 10-ZDIK BU        | 10A 250V               | 4          | YE60001000000   |          |
| 49  | X5 X6 X7 | Heavy duty connector  | WEIN                         | HDC-HA-004.1            | 4P 10A                 | 3          | YE68041000100   | (1)      |
| 50  | FM       | Fan                   | SUNON                        | DP-200A                 | 230VAC 40W             | 1          | YM60121200400   | (1)      |
| 版本 Ver.C  |          |                       |                              |                         |                        |            |                 |          |
| Notes: (1)Means it's not the material inside the control box. (2)Stands for optional. |          |                       |                              |                         |                        |            |                 |          |
| D   |          |                       | Drawing NO.                  | Title                   | Scale                  | Page       | Page            | Page     |
|   |          |                       | SCD-300U(4.50U)/200H-LC      | SCD-300U(4.50U)/200H-LC | Standard               | CE         | Voltage         | 400V     |
|   |          |                       | Electrical Components List 2 | G                       | Approved by            | Date       | Frequency       | 50HZ     |
| Mark  |          |                       | Before modification          | Modified by             | Modify date            | Checked by | Proofread by    | Designer |
| 1   |          |                       | 2                            | 3                       | 4                      | 5          | 6               | 7        |
| 8   |          |                       | 9                            | 10                      | 11                     | 12         | 13              | 14       |



信易电热机械股份有限公司  
Shini Plastics Technologies, Inc.

| 1  | 2      | 3           | 4                                 | 5     | 6                       | 7      | 8                                    |        |
|--|--------|-------------|-----------------------------------|-------|-------------------------|--------|--------------------------------------|--------|
| NO.  | Symbol | Name        | Manufacturer                      | Type  | Specification           | Number | Material number                      | Remark |
| 51   | M1     | Blower      | SHINI                             | ----- | 400V 1.5kW              | 1      | -----                                | (1)    |
| 52   | M2     | Blower      | SHINI                             | ----- | 400V 0.4kW              | 1      | -----                                | (1)    |
| 53   | M3     | Blower      | SHINI                             | ----- | 400V 1.5kW              | 1      | -----                                | (1)    |
| 54   | M4     | Motor       | -----                             | ----- | 230V 0.006kW            | 1      | -----                                | (1)    |
| 55   | EH1    | Pipe heater | SHINI                             | ----- | 400V 12kW               | 1      | -----                                | (1)    |
| 56   | EH2    | Pipe heater | SHINI                             | ----- | 400V 4kW                | 1      | ----- 50Hz                           | (1)    |
| 57   | EH2    | Pipe heater | SHINI                             | ----- | 400V 6kW                | 1      | ----- 60Hz                           | (1)    |
| A  |        |             |                                   |       |                         |        |                                      |        |
| B  |        |             |                                   |       |                         |        |                                      |        |
| C  |        |             |                                   |       |                         |        |                                      |        |
| D  |        |             |                                   |       |                         |        |                                      |        |
| 版本 Ver.C Notes: (1)Means it's not the material inside the control box. (2)Stands for optional. |        |             |                                   |       |                         |        |                                      |        |
| Mark   |        |             | Before modification               |       | Modified by             |        | Modify date                          |        |
| Mark   |        |             | After modification                |       | Date                    |        | 20160914                             |        |
| Title  |        |             | Version                           |       | G                       |        | Drawing NO.                          |        |
| SCD-300U(4.50U)/200H-LC  |        |             | G                                 |       | SCD-300U(4.50U)/200H-LC |        | SCD-300U(4.50U)/200H-LC-CE-400V-G-10 |        |
| Electrical Components List 3   |        |             | Approved by                       |       | Standard                |        | CE                                   |        |
| SHINI  |        |             | SHINI                             |       | SHINI                   |        | SHINI                                |        |
| 信易電熱機械股份有限公司   |        |             | Shini Plastics Technologies, Inc. |       | Voltage                 |        | 400V                                 |        |
| SHINI  |        |             | SHINI                             |       | Frequency               |        | 50HZ                                 |        |
| Page   |        |             | 10                                |       | Totally                 |        | 10                                   |        |
| Pages  |        |             | 400V                              |       | 50HZ                    |        | 8                                    |        |