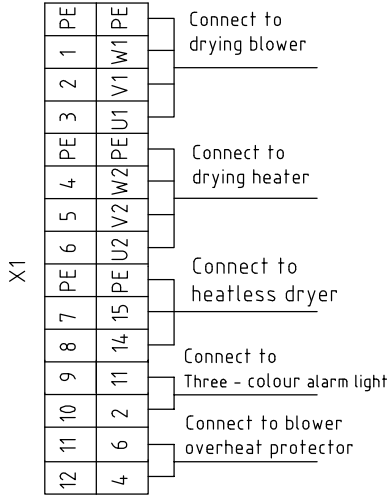
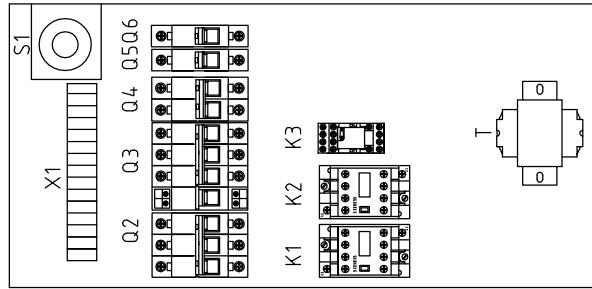
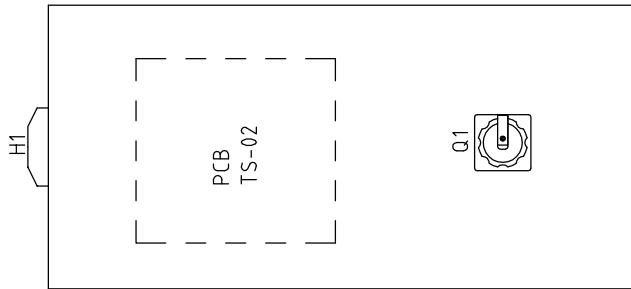


| | | | | | | | | | | | | |
|-------|------|---------------------|--------------------|------|----------|---|-------|------------------------------------|-------------|----------------------------|----------|---------|
| Ver.E | Mark | Before modification | After modification | Date | 20190829 | A | Title | SHD-40U-HD Main Circuit Diagram | Drawing NO. | SHD-40U-HD-CE -400V-A-1 | Scale | Page |
| | | Modified by | Checked by | | | | | | | | Standard | Totally |
| | | | | | | | | | | | CE | 1 |
| | | | | | | | | | | | | 4 |
| | | | | | | | | | | | | Pages |
| | | | | | | | | | | | | 3Φ400V |
| | | | | | | | | | | | | 50Hz |
| 1 | 2 | 3 | 4 | 5 | 6 | 7 | 8 | | | | | |





Ver.E Technical Requirement: The main power lines directly connect to main power switch disconnect to terminal board.

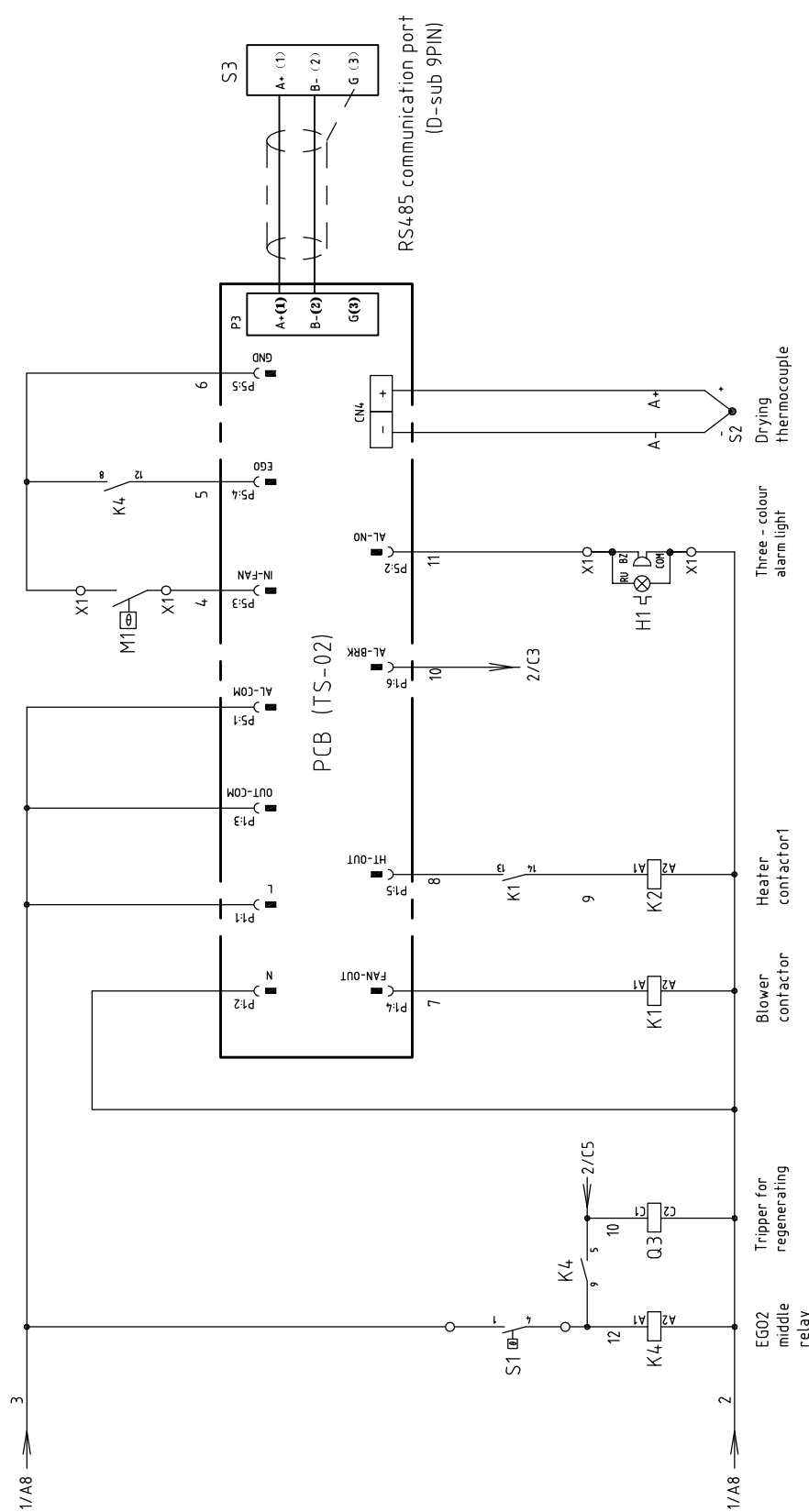
| | | | | | |
|-------|--------------------|-------------|------------------------------|----------|-----------|
| Ver.E | Drawer | Version | Title | Scale | Page |
| | Designer | Approved by | SHD-40U-HD | Standard | 3 |
| | Proofread by | Date | Electrical Components Layout | CE | Totally 4 |
| Mark | Modified by | Modify date | Voltage | | |
| | After modification | | Frequency | | |
| 1 | 2 | 3 | 4 | 5 | 6 |
| | | | | | 7 |
| | | | | | 8 |



| 1 | 2 | | 3 | 4 | 5 | 6 | 7 | 8 |
|---|---------------------|---|--------------|-----------------------------------|------------------------------|--|-----------------|-----------|
| NO. | Symbol | Name | Manufacturer | Type | Specification | Number | Material number | Remark |
| 1 | Q1 | Main power switch | EATON | TO-2-1/EA/SVB/16A | 16A 3P 690V 50/60Hz | 1 | YE10021160000 | |
| 2 | Q3 | Circuit-breaker | TECO | BM-63C/3006S | 6A 3P | 1 | YE40300603000 | |
| 3 | | Excitation release | YIJIN | MX | 24V 50/60Hz | 1 | YE40024000000 | |
| 4 | Q2 | Circuit-breaker | TECO | BM-63C/3006S | 6A 3P | 1 | YE40300603000 | |
| 5 | K1 | AC Contactor | SIEMENS | 3RT6015-1AB01 | 7A 3P 1N0 24V AC | 1 | YE00601502500 | |
| 6 | K2 | AC Contactor | SIEMENS | 3RT6016-1AB01 | 9A 3P 24V AC | 1 | YE00601602500 | |
| 7 | K3 | Middle relay | HONEYWELL | GR-2C-AC24V PGR-2C-E | 24V 50/60Hz | 1 | YE03022400300 | |
| 8 | Q4 | Circuit-breaker | TECO | BM-63C/2003S | 3A 2P | 1 | YE40200203000 | |
| 9 | Q5 | Circuit-breaker | TECO | BM-63C/1003S | 3A 1P | 1 | YE40100203000 | |
| 10 | Q6 | Circuit-breaker | TECO | BM-63C/1006S | 6A 1P | 1 | YE40100600100 | |
| 11 | T | Transformer | BAIYUN | IN=400V/415v OUT=24V/230V | 120VA/350MA | 1 | YE700400003600 | |
| 12 | PCB | PCB | YUYUN | TS-02124VAC(include communicator) | 24V 50/60Hz | 1 | YE80012400400 | |
| 13 | S1 | Temperature protector | EGO | ---- | 115-320 °C | 1 | BH90115000150 | |
| 14 | S2 | Thermocouple | SHINI | K TYPE | ---- | 1 | ---- | (1) |
| 15 | H1 | Three - colour alarm light | SHINI | ---- | 24V AC/DC | 1 | BL9000011520 | |
| 16 | X1 | Spring wiring terminal | HONEYWELL | SK2.5 | 2.5mm ² | 12 | YE60002503200 | |
| 17 | | Grounding terminal | HONEYWELL | GK2.5PE | 2.5mm ² PE | 3 | YE60002503400 | |
| 18 | | Terminal fittings E/GKseries(honeywell) | HONEYWELL | ---- | PCS | 5 | YE60000003900 | |
| 19 | M1 | Blower | SHINI | 0.12kW | 400V50/60HZ | 1 | ---- | (1) |
| 20 | EH1 | Heater | SHINI | 3.0kW | 400V50/60HZ | 1 | ---- | (1) |
| 21 | S3 | Communication interface board RS-485 (double Dsub-9pin connector) | YUYUN | ---- | ---- | 1 | YE90048501200 | |
| 22 | | Shell RS485(SAL-700G-A-1910) | BINCHEG | ---- | ---- | 1 | YR40048500000 | |
| Ver.E Notes: (1)Means it's not the material inside the control box. | | | | | | | | |
| | | | | Version | A | Drawing NO. SHD-40U-HD-CE -400V-A-4 | | Page 4 |
| | | | | Designer | Electrical Components List 1 | | Standard | Totally 4 |
| | | | | Proofread by | | | Voltage | 3Φ400V |
| | | | | Checked by | 20190829 | Frequency | | 50HZ |
| Mark | Before modification | After modification | Modified by | Modify date | | | | |



信易電熱機械股份有限公司
Shini Plastics Technologies, Inc.



Notes: M1 is the overheat protector of drying blower.

| | | | | | | | | | | | | | | | | |
|-------|------|---------------------|--------------------|------|----------|-------------|---------|---|----------|---------|--|---------------------------------|-------------|-------|---------|---|
| Ver.E | Mark | Before modification | After modification | Date | 20190829 | Approved by | Version | A | Title | | SHD-80U/120U-HD Control Circuit Diagram | SHD-80U/120U-HD- CE-400V-A-2 | Drawing NO. | Scale | Page | 2 |
| | | Modified by | Modify date | | | | | | Standard | CE | | | | | Totally | 4 |
| | | | | | | | | | | Voltage | | 3Φ400V | Frequency | | 50HZ | |
| 1 | | | | 2 | 3 | 4 | 5 | 6 | 7 | 8 | SHINI 信易電熱機械股份有限公司 Shini Plastics Technologies, Inc. | | Voltage | | 3Φ400V | |
| | | | | | | | | | | | Frequency | | 50HZ | | | |

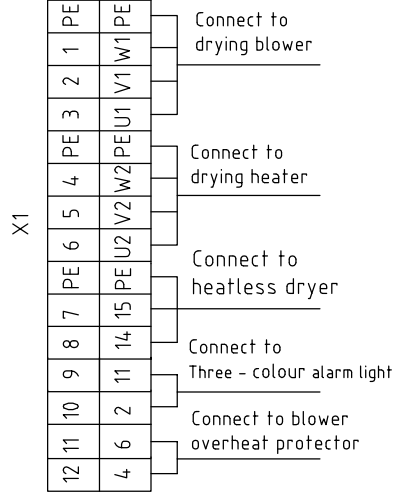
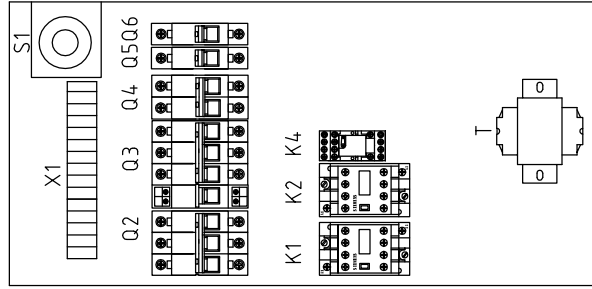
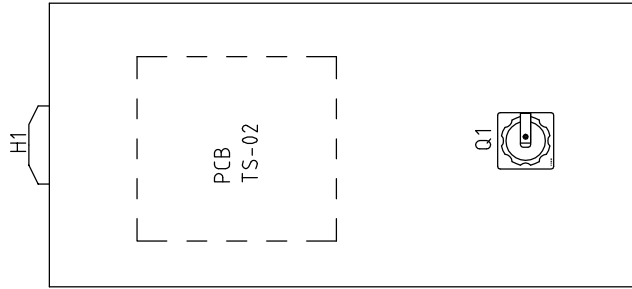
1 2 3 4 5 6 7 8

A

B

C

D



The main power lines directly connect to main power switch disconnect to terminal board.

Ver.E

| | | | | | | | | | | | | | | | | | | | | | | | | |
|------|---------------------|-------------|-------------|------------|----------|--------------|----------|--------|---------|---|-------|---|--|--|--|-------|----------|----|------|---|---------|---|-------|--|
| Mark | Before modification | Modified by | Modify date | Checked by | Date | Proofread by | Designer | Drawer | Version | A | Title | SHD-80U/120U-HD Electrical Components Layout | | Drawing NO. SHD-80U/120U-HD- CE-400V-A-3 | | Scale | Standard | CE | Page | 3 | Totally | 4 | Pages | |
| | | | | | 20190829 | | | | | | | | | | | | | | | | | | | |



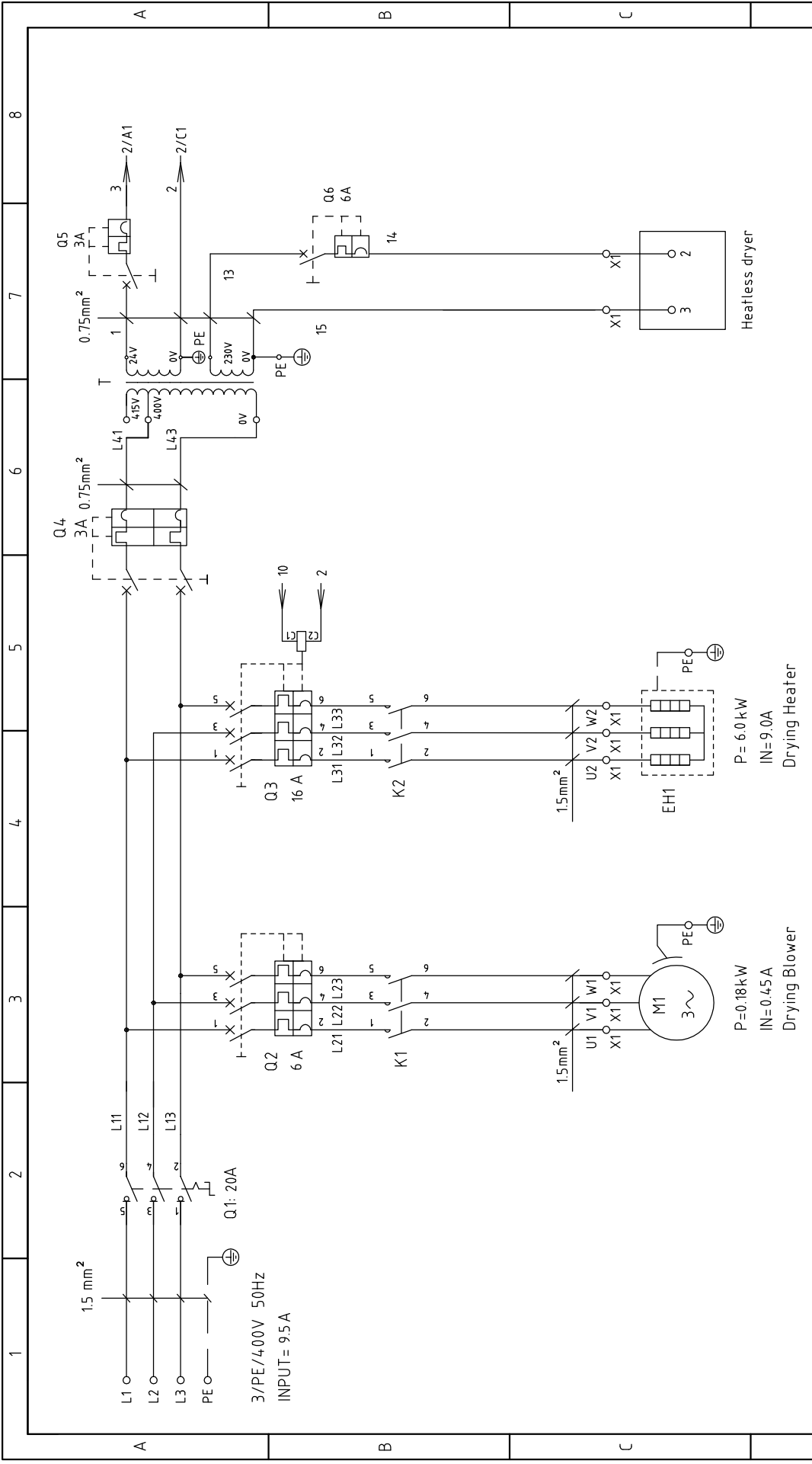
信易電熱機械股份有限公司
Shini Plastics Technologies, Inc.


1 2 3 4 5 6 7 8

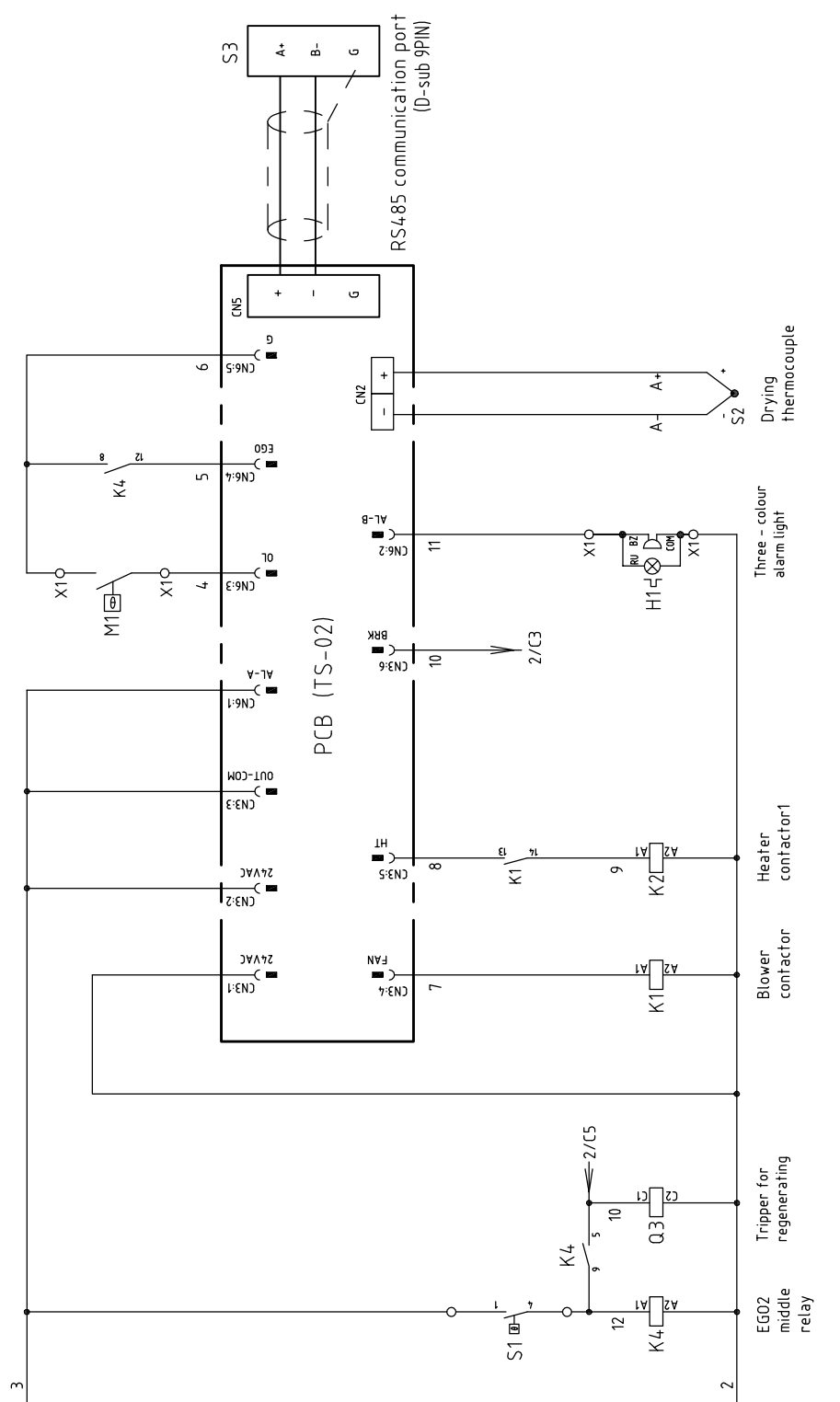
B

C

D



| | | | | | | | | | | | |
|--|---------------------|--------------------|-------------|-------------|------------|------|----------|---|-----------|----------|--------|
| Ver.D | 1 | 2 | 3 | 4 | 5 | 6 | 7 | 8 | Scale | Page | 1 |
| | | | | | | | | | | Standard | CE |
| Drawing NO. SHD-230U-HD-CE-400V-A-1 | | | | | | | | | Voltage | | 3Φ400V |
| Title SHD-230U-HD Main Circuit Diagram | | | | | | | | | Frequency | | 50Hz |
|  信易電熱機械股份有限公司 Shini Plastics Technologies, Inc. | | | | | | | | | | | |
| Mark | Before modification | After modification | Modified by | Modify date | Checked by | Date | 20190829 | | | | |
| | | | | | | | | | | 8 | |



| | | | | | |
|--------|---|-------------------------|---|-----------|-----------------|
| Ver.D. | Notes: M1 is the overheat protector of drying blower. | | | Scale | Page 2 |
| | Version | Title | | Standard | Totally 5 Pages |
| | Designer | SHD-230U-HD | | CE | 3φ400V |
| | Proofread by | Control Circuit Diagram | | Voltage | 50HZ |
| | Approved by | SHD-230U-HD-CE-400V-A-2 | | Frequency | |
| | Date | 20190829 | | | |
| Mark | Before modification | Modified by | Modify date | | |
| 1 | 2 | 3 | 4 | 5 | 6 |
| | | | SHINI 信易電熱機械股份有限公司 Shini Plastics Technologies, Inc. | | |
| | | | SHD-230U-HD | | |
| | | | Control Circuit Diagram | | |
| | | | SHINI | | |
| | | | SHINI Plastics Technologies, Inc. | | |
| | | | SHD-230U-HD-CE-400V-A-2 | | |
| | | | Voltage 3φ400V | | |
| | | | Frequency 50HZ | | |
| | | | Page 2 | | |
| | | | Totally 5 Pages | | |

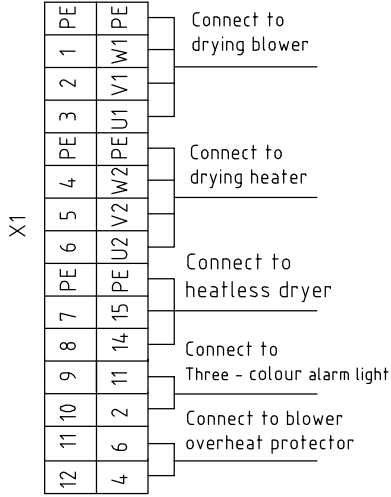
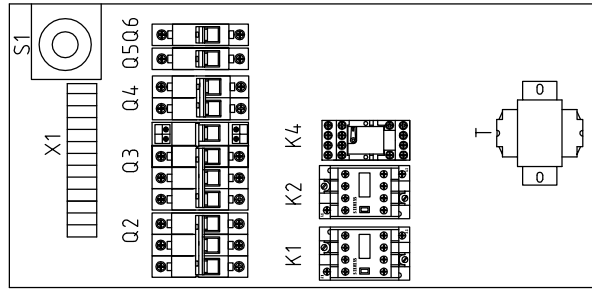
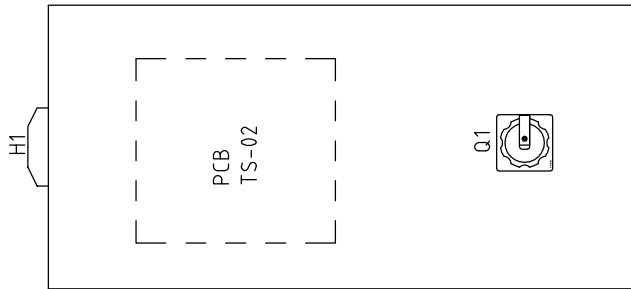
1 2 3 4 5 6 7 8

A

B

C

D



The main power lines directly connect to main power switch disconnect to terminal board.

| | | | | | | | | | | | | | |
|-------|---------------------|-------------|-------------|------------|--------------|----------|--------|---------|---|------------------------------|---|-----------|--------|
| Ver.D | | | | | | | | | | | | | |
| Mark | Before modification | Modified by | Modify date | Checked by | Proofread by | Designer | Drawer | Version | A | Title | SHD-230U-HD - Electrical Components Layout | | |
| | After modification | | | | | | | | | SHD-230U-HD - CE-400V-A-3 | Scale | CE | Page 3 |
| | | | | | | | | | | | Standard | Totally 5 | Pages |
| | | | | | | | | | | | Voltage | 3Φ400V | |
| | | | | | | | | | | | Frequency | 50HZ | |



1 2 3 4 5 6 7 8

| 1 | 2 | | 3 | 4 | 5 | 6 | 7 | 8 |
|---|--------|---|--------------|----------------------------|-----------------------|-------------------------------------|-----------------|-----------------|
| NO. | Symbol | Name | Manufacturer | Type | Specification | Number | Material number | Remark |
| 1 | Q1 | Main power switch | EATON | TO-2-1(EA/SVB/20A | | 1 | YE10021160000 | |
| 2 | Q3 | Circuit-breaker | TECO | BM-63C/3016S | | 1 | YE40301603000 | |
| 3 | | Excitation release | YIJIN | MX | 24V 50/60Hz | 1 | YE40024000000 | |
| 4 | Q2 | Circuit-breaker | TECO | BM-63C/3006S | | 1 | YE40300603000 | |
| 5 | K1 | AC Contactor | SIEMENS | 3RT6015-1AB01 | 7A 3P 1NO 24V AC | 1 | YE00601502500 | |
| 6 | K2 | AC Contactor | SIEMENS | 3RT6018-1AB01 | 16A 3P 24V AC | 1 | YE00601802500 | |
| 7 | K4 | Middle relay | HONEYWELL | GR-2C-AC24V PGR-2C-E | 24V 50/60Hz | 1 | YE03022400300 | |
| 8 | Q4 | Circuit-breaker | TECO | BM-63C/2003S | 3A 2P | 1 | YE40200203000 | |
| 9 | Q5 | Circuit-breaker | TECO | BM-63C/1003S | 3A 1P | 1 | YE40100203000 | |
| 10 | Q6 | Circuit-breaker | TECO | BM-63C/1006S | 6A 1P | 1 | YE40100600100 | |
| 11 | T | Transformer | JIUXIN | IN=400V/451V OUT=24/230V | 120VA/350mA | 1 | YE700400003600 | |
| 12 | PCB | PCB | YUYUN | TS-02124VAC/DC(components) | 24V 50/60Hz | 1 | YE80022401200 | |
| 13 | S1 | Temp. protector | EGO | -- | 115-320 °C | 1 | BH90115000150 | |
| 14 | S2 | Thermocouple | SHINI | K TYPE | ---- | 1 | ---- | (1) |
| 15 | H1 | Three - colour alarm light | SHINI | Red. Yel. Gre + buzzer | 24V AC/DC | 1 | BL90000011520 | |
| 16 | X1 | Terminal | HONEYWELL | SK4 | 4mm ² | 6 | YE60000403200 | |
| 17 | X1 | Terminal | HONEYWELL | GK5PE | 4mm ² PE | 2 | YE60000403500 | |
| 18 | X1 | Terminal | HONEYWELL | SK2.5 | 2.5mm ² | 6 | YE60002503200 | |
| 19 | X1 | Terminal | HONEYWELL | GK2.5PE | 2.5mm ² PE | 1 | YE60002503400 | |
| 20 | | Terminal fittings E/GKseries(honeywell) | HONEYWELL | ---- | PCS | 5 | YE60000003900 | |
| 21 | M1 | Blower 4" | SHINI | A02-6312 | 0.18kW 200~415V 50HZ | 1 | ---- | (1) |
| 22 | EH1 | Heater | SHINI | SHD-230U(6KW)3Φ400V | 6kW | 1 | ---- | (1) |
| 23 | S3 | Communication interface board RS-485 (double Dsub-9pin connector) | YUYUN | ---- | ---- | 1 | YE90048501200 | |
| 24 | | Shell RS485(SAL-700G-A-1910) | BINCHENG | ---- | ---- | 1 | YR40048500000 | |
| Ver.D Notes: (1)Means it's not the material inside the control box. | | | | | | | | |
| | | | | Version | A | Drawing NO. SHD-230U-HD-CE-400V-A-4 | | Page 4 |
| | | | | Designer | | Electrical Components List 1 | | Totally 5 Pages |
| | | | | Proofread by | | Standard | | CE |
| | | | | Checked by | 20190829 | Voltage | | 3Φ400V |
| | | | | Modified by | | Frequency | | 50HZ |
| | | | | Modify date | | | | |
| 1 | 2 | 3 | 4 | 5 | 6 | 7 | 8 | |



信易電熱機械股份有限公司
Shini Plastics Technologies, Inc.