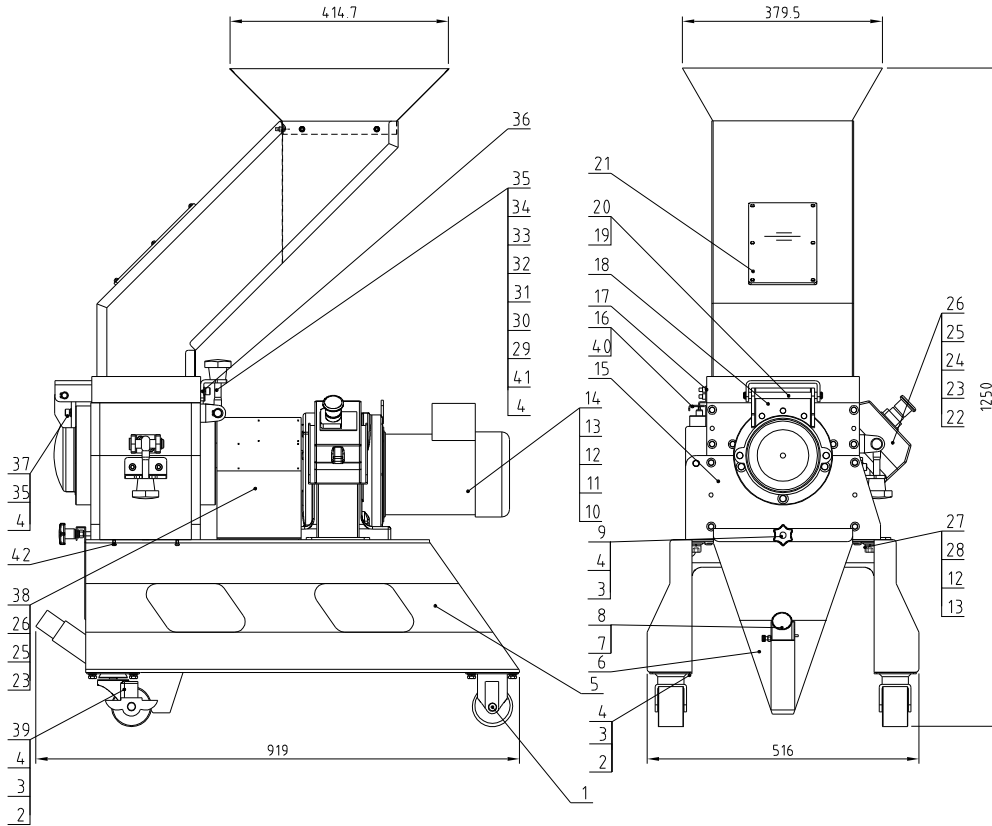


Note: 1) Cr12Mo1V1 corresponds to the Japanese JIS standard number SKD11;
 2) 5mm knives are standard products, while 4mm and 6mm knives are optional products;
 3) The maximum crushing capacity depends on the size and material of the crushed material;
 4) The noise during crushing varies depending on the configuration of the crushing material and motor;
 5) To avoid plastic sticking to the knife, all materials to be crushed should be crushed at room temperature;
 6) The machine voltage specification is 3 φ, 400VAC, 50Hz.

Weight(kg)	Noise Level dB(A)	Max. Output Capacity(ykg/h)	Cutting Chamber(mm)	Number of teeth cutter	Number of staggered blade	Rotating Speed(r.p.m)	Motor power(kW)	Ver.
160	80~85	5	24.0x175	2	1	27	1.1	B

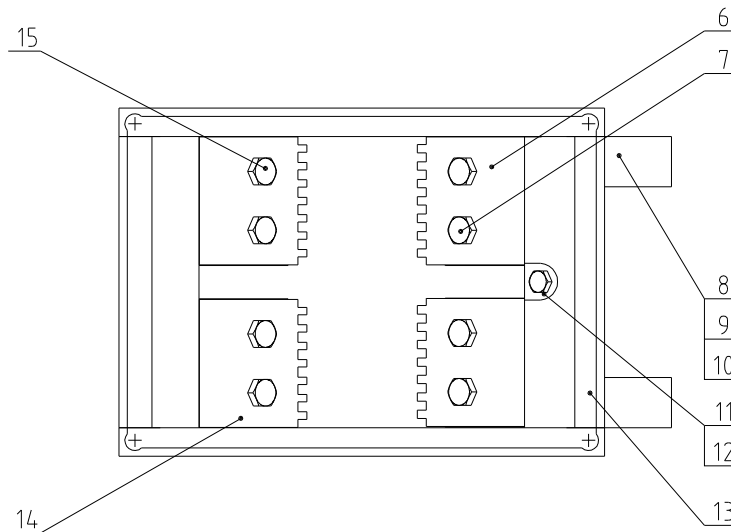
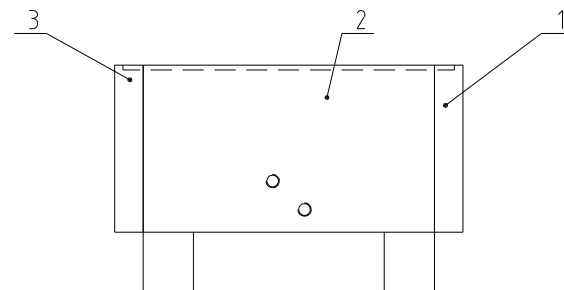
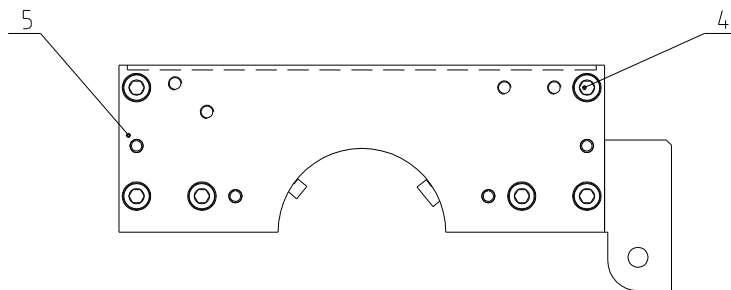


42	YW63050800000	Cross recessed pan head screw GR/7-818		4	
41	YW69001600000	Retaining ring for shaft GR/7 08A.1 16	SUS201	2	
40	YW61043500000	Hexagon socket head screw GR/70.1 M4x5		2	
39	YW03000300000	3" black PPA wheel with middle brake	Assembly	2	
38	-	Shaft coupler cover	SPCC15	1	
37	YW61082001200	Hexagon socket head screw GR/70.1 M4x20		4	
36	YW61081000200	Hexagon socket head screw GR/70.1 M4x10		1	
35	YW65008000100	Standard spring washer GR/793 8		9	
34	YW61081600000	Hexagon socket head screw GR/70.1 M4x16		6	
33	-	Feeding box locking block	SPH6.0	1	
32	YW09160200000	Rig Star nut M3 S10-100 S10-100-G100-02	AL	1	
31	YW09301400000	Axle pin	Q235A	1	
30	YW09003010500	Star screw	Q235A	1	
29	BL54300003920	Hinge seat	SPH	1	
28	YW61123000000	Hexagon socket head screw GR/70.1		4	
27	-	Storage box fixed plate	SUS201	2	
26	YW66061300000	Flat Washer Grade A GR/797.1 6-hub flat		10	
25	YW65006000100	Standard spring washer GR/793 6		10	
24	YE10162500100	Thermoplastic circuit breaker M3-S1.614	Assembly	1	
23	YW61061200000	Hexagon socket head screw GR/70.1		10	
22	-	Switch Fixing Plate	Weld assembly	1	
21	-	Feed box assembly	Assembly	1	
20	YW69001200000	Black ring for shaft GR/7 08A.1 12-16-7050	SUS201	2	
19	BH10240400110	Feed box spindle	SUS201	1	
18	-	Feed box hinge	SPH5.0	1	
17	-	Safety switch inserts	SUS201	1	
16	-	Fixing plate for safety switch	SUS201	1	
15	-	Cutting chamber assembly	Assembly	1	
14	YW64012100000	Hexagonal nut GR/76170 M12	4	4	
13	YW66122400000	Flat Washer Grade A GR/797.1 12	14.0HV	12	
12	YW65012000000	Standard spring washer GR/793 12	65Mn	8	
11	YW61126500000	Hexagon socket head screw GR/70.1		4	
10	YM50571100100	Hubcap M37-110-505 shaft diameter 40	Assembly	1	
9	YR40083500000	Five-star handle B type M6x6	Assembly	1	
8	YW69621600000	Hand twist screw M6x20x16		1	
7	-	Suction pipe	SUS201(1.0)	1	
6	-	Storage box	Weld assembly	1	
5	-	Rack assembly	Weld assembly	1	
4	YW66081900000	Flat Washer 6x19x2.0 Dark Rust	14.0HV	4	3
3	YW64008000100	Non-metal insert hexagonal lock nut	4	17	
2	YW60082000200	Hexagon head bolt GR/7970 M4x20-8.8		16	
1	YW03000300300	Flat plate fixed black rubber wheel 3"	Assembly	2	

序号	代号	名称	材质	数量	备注
----	----	----	----	----	----

					制图	版号	标题	图号	比例	数量	
					设计	核准	SG-L17		1:1	1	材质
					校对		总成				
					审核						
标记	更改前	更改后	更改人	日期	日期	日期			表面要求		
									物料号		



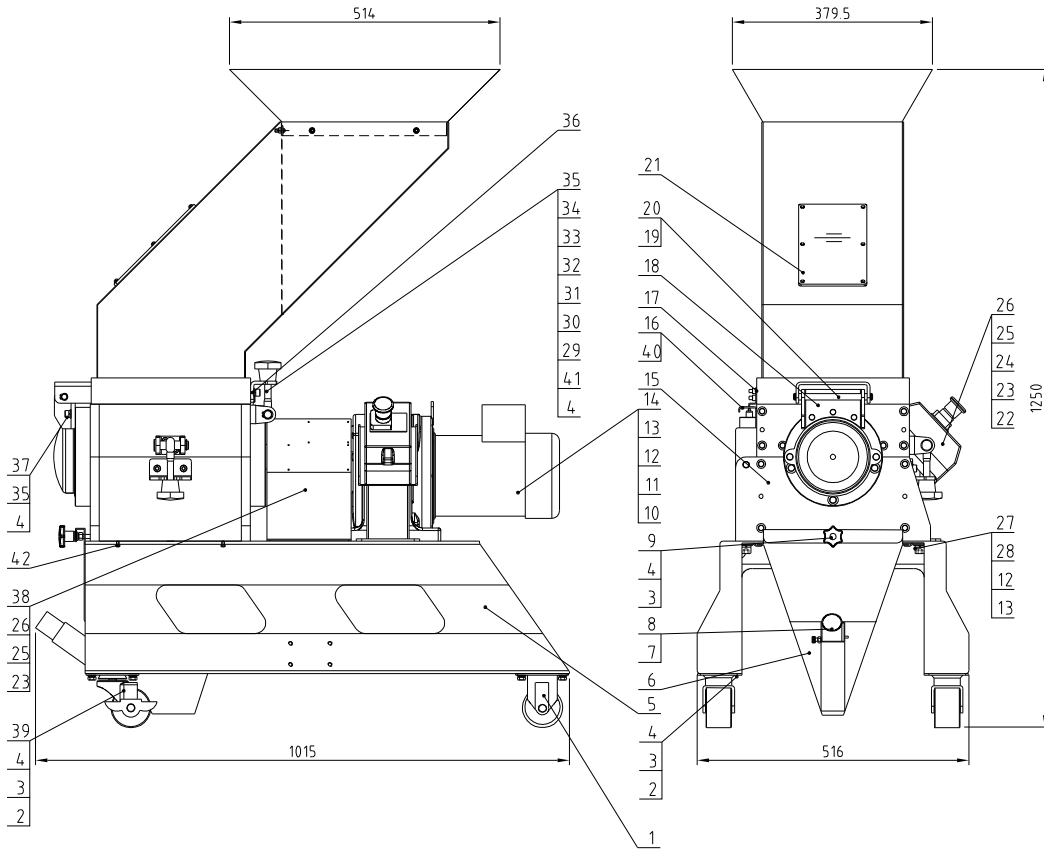


15	YW60103000200	Hexagon head bolt GB/T5783 M10x30-12.9	Longzine	4	
14	YW40240400000	Fixed rear blade SG-L-D-04	Cr12MoV	2	
13	BH10170500110	Upper box rear box block SG-L17-B-05	QT500-7	1	
12	YW60081600000	Hexagon head bolt GB/T5783 M6x16-12.9	Longzine	1	
11	YW40203100100	Fixed front blade F2/SG-L-D-03	Cr12MoV	1	
10	YW65010000000	Standard spring washer GB/T93-10	Longzine	4	
9	YW61103500000	Hexagon socket head screw GB/T70.1	Longzine	4	
8	BH10242300110	Hinge base	6061	2	
7	YW60103500200	Hexagon head bolt GB/T5783 M10x35-12.9	Longzine	4	
6	YW40240200000	Fixed front blade F1/SG-L-D-02	Cr12MoV	2	
5	YW69083500000	Elastic cylindrical pin GB/T 879.1 6x35	65Mn	8	
4	YW61103000100	Hexagon socket head screw GB/T70.1	Longzine	12	
3	BH10242200010	Upper box left end plate SG-L-B-02-02	Q235	1	
2	BH10241733510	Upper box front box block SG-L17-B-03	QT500-7	1	
1	BH10240200210	Upper box right end plate SG-L-B-02-01	Q235A	1	
序号	代号	名称	材质	数量	备注

					制图		版号		标题	SG-L17	图号		比例		数量	
					设计		核准		粉碎室上箱总成						材质	
					校对				信易電熱機械股份有限公司 Shini Plastics Technologies, Inc.				表面要求			
标记	更改前	更改后	更改人	日期	审核		日期								物料号	

Weight(kg)	Noise Level dB(A)	Max. Output Capacity(kg/h)	Cutting Chamber(mm)	Number of teeth cutter	Number of staggered blade	Rotating Speed(r.p.m)	Motor power(kW)	Ver.
200	80-85	10	240x270	3	2	27	1.5	B

Note: 1) Cr12Mo1V1 corresponds to the Japanese JIS standard number SKD11;
 2) 5mm knives are standard products, while 4mm and 6mm knives are optional products;
 3) The maximum crushing capacity depends on the size and material of the crushed material;
 4) The noise during crushing varies depending on the configuration of the crushing material and motor;
 5) To avoid plastic sticking to the knife, all materials to be crushed should be crushed at room temperature;
 6) The machine voltage specification is 3 Ø, 400VAC, 50Hz.

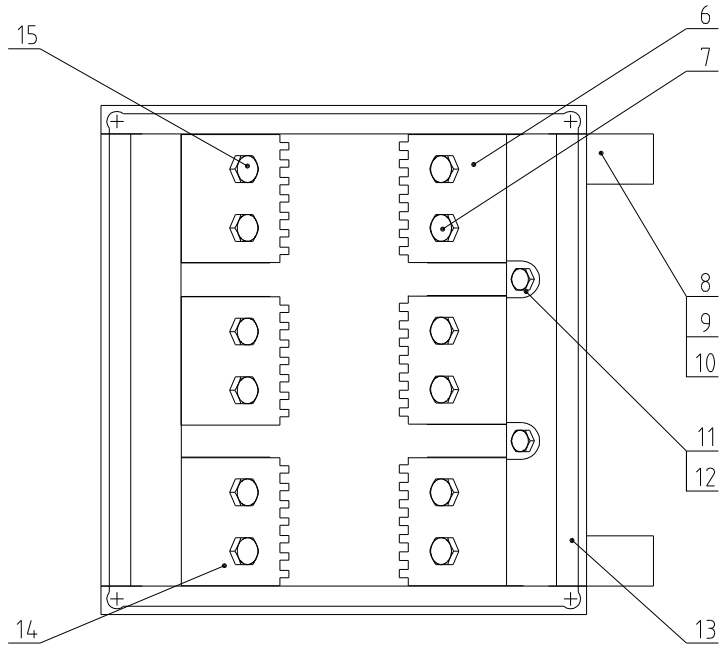
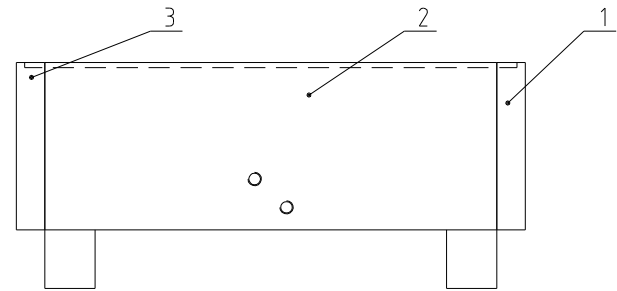
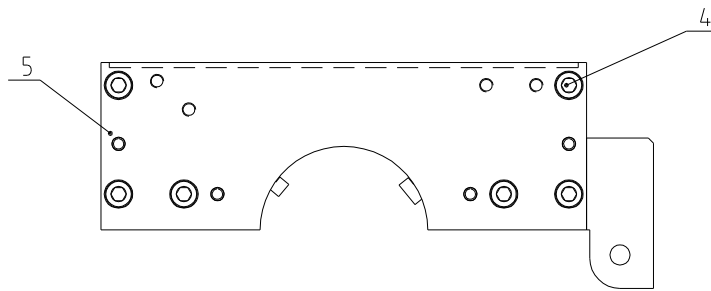


42	YW63050800000	Crus recessed pan head screw Q7-818		4	
41	YW69001600000	Elastic ring for use see Q7 894.1 16	SUS201	2	
40	YW61043500000	Inner hex. alum head screw Q7M1 M6x12.9		2	
39	YW03000300000	3" black PPA wheel with middle brake	Assembly	2	
38	-	Coupling guard	SPCC15	1	
37	YW61082001200	Hexagon socket head screw Q7M1 M10		4	
36	YW61081000200	Hexagon socket head screw Q7M1 M10-12.9		1	
35	YW65008000100	Standard spring washer Q7/TS3 8		9	
34	YW61081600000	Hexagon socket head screw Q7M1 M16		6	
33	-	Feeding box locking block	SPH6.0	1	
32	YW09160200000	Big Star nut M2 SD-100; 6008-0	AL	1	
31	YW09301400000	Axle pin	Q235A	1	
30	YW09003010500	Star screw	Q235A	1	
29	BL54300003920	Hinge seat	SPH	1	
28	YW61123000000	Hexagon socket head screw Q7/7M1		4	
27	-	Storage box fixed plate	SUS201	2	
26	YW66061300000	Flat Washer Grade A Q7/TS1.1 6-hk hex		10	
25	YW65006000100	Standard spring washer Q7/TS3 6		10	
24	YE10250400100	Motor circuit breaker MS-25 (2.5-4A)	Assembly	1	
23	YW61061200000	Hexagon socket head screw Q7/7M1		10	
22	-	Switch fixing plate	Weld assembly	1	
21	-	Feed box assembly	Assembly	1	
20	YW69001200000	Retaining ring for shaft Q7 894.1	SUS201	2	
19	-	Feed box rotating shaft	SUS201	1	
18	-	Feed box hinge	SPH5.0	1	
17	-	Safety switch insert	SUS201	1	
16	-	Safety switch fixing plate	SUS201	1	
15	-	Cutting chamber assembly	Assembly	1	
14	YW64012100000	Hexagonal nut Q7/16170 M12		4	4
13	YW66122400000	Flat Washer Grade A Q7/TS1.1 12	14.0HV	12	
12	YW65012000000	Standard spring washer Q7/TS3 12	65Mn	8	
11	YW61126500000	Hexagon socket head screw Q7/7M1		4	
10	YM50571500100	Huber MSF-180-505 shaft diameter 40	Assembly	1	
9	YR40083500000	Five-star handle B type M6x35	Assembly	1	
8	YW69621600000	Hand screw M6x20x16		1	
7	-	Suction pipe	SUS201(1.0)	1	
6	-	Storage box	Weld assembly	1	
5	-	Base assembly	Weld assembly	1	
4	YW66081900000	Flat washer 1 grade A16x2.0 Longin	14.0HV	4	3
3	YW64008000100	Hexagonal nut M6 anti-loose		4	17
2	YW60082000200	Hexagon bolt Q7/TS3 M6x8.0 Longin		16	
1	YW03000300300	Flat plate fixed black rubber wheel 3"	Assembly	2	

序号	代号	名称	材质	数量	备注
	SG-L27	图号	比例	数量	
	总成		⊕	材质	
		表面要求			
		物料号			

制图	版号	标题	图号	比例	数量
设计	核准	SG-L27		⊕	材质
校对		总成			
审核	日期				
标记	更改前	更改后	更改人	日期	

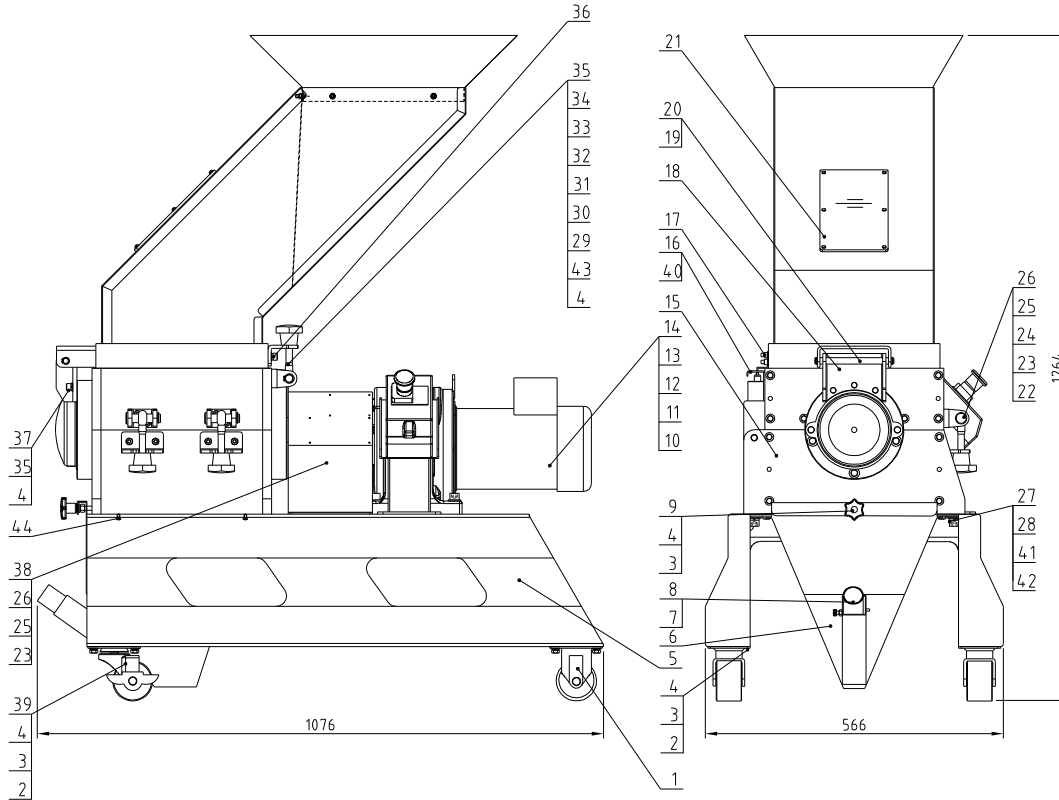




15	YW60103000200	Hexagon head bolt GB/T5783 M10x30-12.9	Longzine	6	
14	YW40240400000	Fixed rear blade	Cr12MoV	3	
13	BH10270500110	Upper box rear box block	QT500-7	1	
12	YW60081600000	Hexagon head bolt GB/T5783 M8x16-12.9	Longzine	2	
11	YW40203100100	Fixed front blade F2	Cr12MoV	2	
10	YW65010000000	Standard spring washer GB/T93-10	Longzine	4	
9	YW61103500000	Hexagon socket head screw GB/T70.1	Longzine	4	
8	BH10242300110	Hinge base	6061	2	
7	YW60103500200	Hexagon head bolt GB/T5783 M10x35-12.9	Longzine	6	
6	YW40240200000	Fixed front blade F1	Cr12MoV	3	
5	YW69083500000	Elastic cylindrical pin GB/T 879.1 6x35	65Mn	8	
4	YW61103000100	Hexagon socket head screw GB/T70.1	Longzine	12	
3	BH10242200010	Upper box left end plate SG-L-B-02-02	Q235	1	
2	BW30242700710	Upper box front box block	QT500-7	1	
1	BH10240200210	Upper box right end plate	Q235A	1	
序号	代 号	名 称	材 质	数 量	备 注

					制图		版号		标题	SG-L27	图号		比例		数量	
					设计		核		粉碎室上箱总成					材质		
					校对		准		信易電熱機械股份有限公司 Shini Plastics Technologies, Inc.			表面要求				
标记	更改前	更改后	更改人	日期	审核		日期								物料号	

- Note: 1) Cr12Mo1V1 corresponds to the Japanese JIS standard number SKD11;
 2) 5mm knives are standard products, while 4mm and 6mm knives are optional products;
 3) The maximum crushing capacity depends on the size and material of the crushed material;
 4) The noise during crushing varies depending on the configuration of the crushing material and motor;
 5) To avoid plastic sticking to the knife, all materials to be crushed should be crushed at room temperature;
 6) The machine voltage specification is 3 Ø, 400VAC, 50Hz.

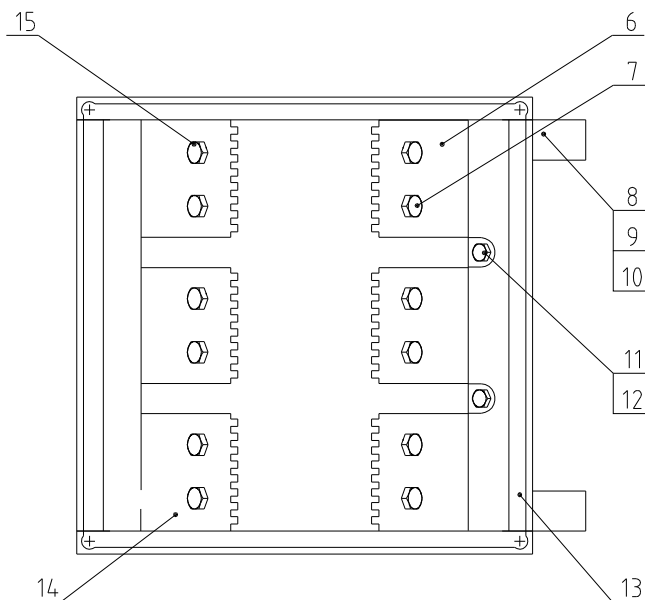
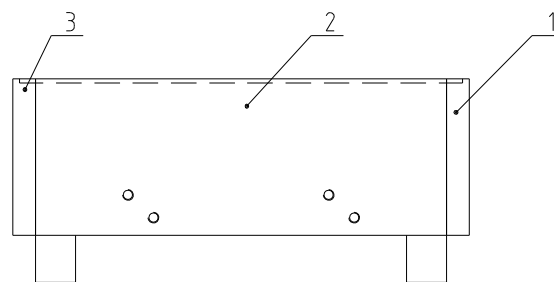
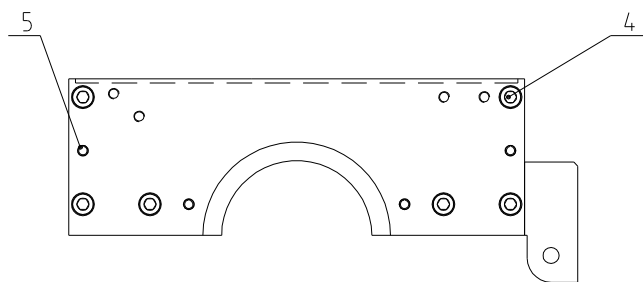


Weight(kg)	Noise Level dBA)	Max. Output Capacity(kg/h)	Cutting Chamber(mm)	Number of teeth cutter	Number of Staggered blade	Rotating Speed(r.p.m)	Motor power(kW)	Ver.
240	80~85	15	320x320	3	2	27	1.5	B

44	YW63050800000	Cross recess pin head screw Q17 10x16 Longline		4	
43	YW69001600000	Clutch for axle use Q17 10x16 70(SUS)	SUS201	1	
42	YW66024130000	Flat washer 1 grade 6x19x2.0 Longline	14.0HV	4	
41	YW65012000000	Standard spring washer GR/739 12	65Mn	4	
40	YW61043500000	Hex large cylinder screw Q17M1 10x16 2.0 Longline		2	
39	YW03000300000	3" black PPA wheel with middle brake	Assembly	2	
38	--	Coupling guard	SPCC15	1	
37	YW61082001200	Hex metal flat top screw Q17M1 10x16 2.0 Longline for plastic		3	
36	YW61081000200	Hex large cylindrical screw Q17M1 10x16 2.0 Longline		1	
35	YW65008000100	Standard spring washer GR/739 8		9	
34	YW61081600000	Hex metal flat top screw Q17M1 10x16 2.0 Longline		6	
33	--	Feeding box locking block		1	
32	YW09160200000	Big size nut M3 30-30-0800-05 Dimension alloy	AL	1	
31	YW09301400000	Axle pin	Q235A	1	
30	YW09003010500	Star screw	Q235A	1	
29	BL54300003920	Hinge seat	SPH	1	
28	YW61123000000	Hex metal flat top screw Q17M1 10x16 2.0 Longline		4	
27	--	Storage box fixed plate	SUS201	2	
26	YW66061300000	Flat washer 1 grade 6x19x2.0 Longline		10	
25	YW65006000100	Standard spring washer GR/739 6		10	
24	YE40406300000	Thermoplastic circuit breaker MS-25(4.5A)	Assembly	1	
23	YW61061200000	Hex metal flat top screw Q17M1 10x16 2.0 Longline		10	
22	--	Switch fixing plate	Weld assembly	1	
21	--	Feed box assembly	Assembly	1	
20	YW69001200000	Clutch for axle use Q17 10x16 70(SUS)	SUS201	2	
19	BH10240400110	Feed box rotating shaft	SUS201	1	
18	--	Feed box hinge	SPH5.0	1	
17	--	Safety switch insert	SUS201	1	
16	--	Fixing plate for safety switch	SUS201	1	
15	--	Cutting chamber assembly	Assembly	1	
14	YW64012100000	Hexagonal nut GR/76170 M12	4	4	
13	YW66024130000	Flat washer 1 grade 6x19x2.0 Longline	14.0HV	8	
12	YW65012000000	Standard spring washer GR/739 12	65Mn	4	
11	YW61126500000	Hex metal flat top screw Q17M1 10x16 2.0 Longline	12.9	4	
10	YM50571500100	Hex nut M3 30-30-0800-05 Dimension alloy	Assembly	1	
9	YR40083500000	Five-star handle B type M6x65	Assembly	1	
8	YW69621600000	Hand screw M6x20x16		1	
7	--	Suction pipe	SUS201(1.0)	1	
6	--	Storage box	Weld assembly	1	
5	--	Base assembly	Weld assembly	1	
4	YW66081900000	Flat washer 6x19x2.0 Longline	14.0HV	43	
3	YW64008000100	Hex metal insert hexagonal lock nut	4	17	
2	YW60082000200	Hex large cylinder screw Q17M1 10x16 2.0 Longline		16	
1	YW03000300300	Flat plate fixed black rubber wheel 3"	Assembly	2	

序号	代号	名称	材质	数量	备注
----	----	----	----	----	----

					制图	版号	标题	SG-L32	图号	比例	数量
					设计	核准		总成		1:1	1
					校对					表面要求	
					审核					物料号	
标记	更改前	更改后	更改人	日期	日期		SHINI 信易电热机械股份有限公司 Shini Plastics Technologies, Inc.				

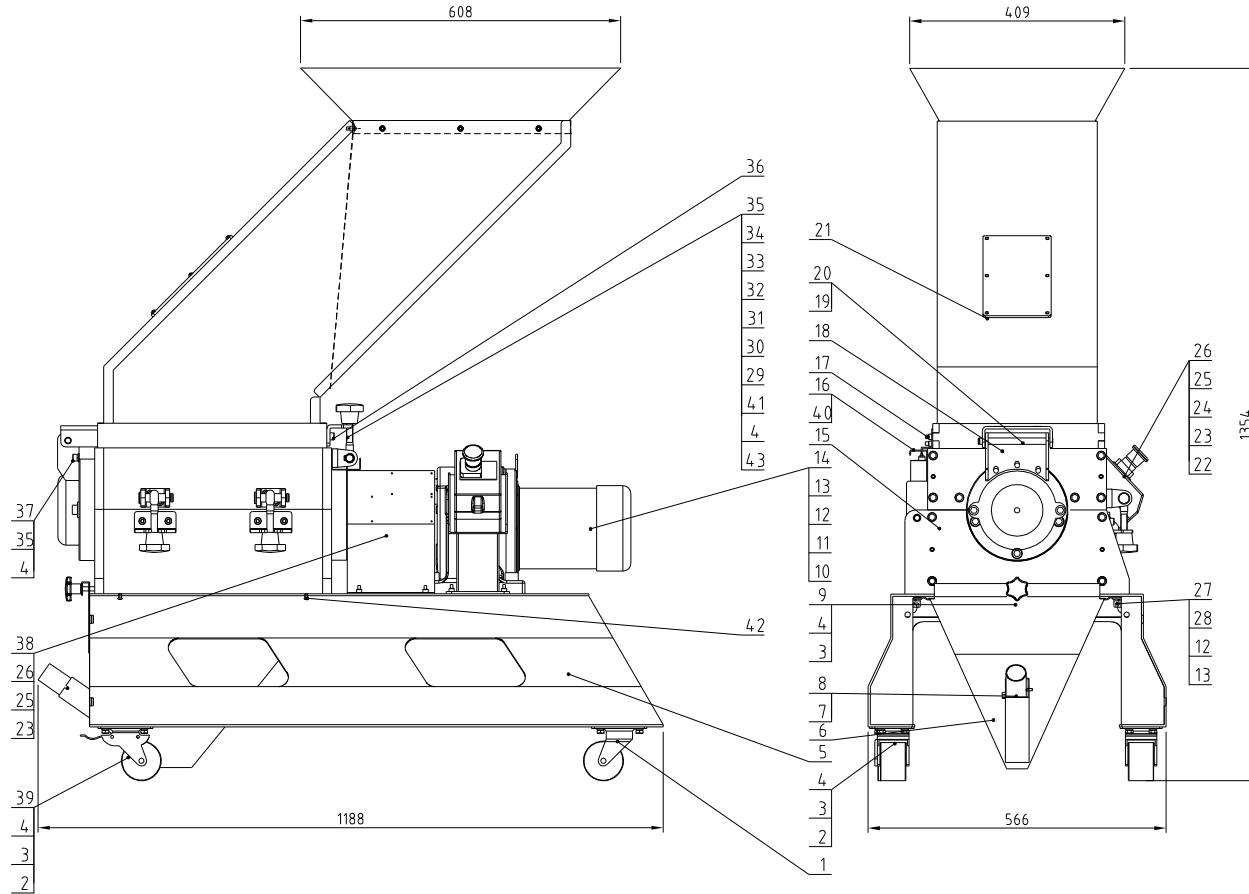


15	YW60103000200	Hexagon head bolt GB/T5783 M10x30-12.9	达克罗	6	
14	YW40151200100	Fixed rear blade	Cr12MoV	3	
13	BH10320500210	Upper box rear box block	QT500-7	1	
12	YW60081600000	Hexagon head bolt GB/T5783 M6x16-12.9	达克罗	2	
11	YW40203100100	Fixed front blade F2	Cr12MoV	2	
10	YW65010000000	Standard spring washer GB/T93-10	达克罗	4	
9	YW61103500000	Hexagon socket head screw GB/T70.1	达克罗	4	
8	BH10242300110	Hinge base	6061	2	
7	YW60103500200	Hexagon head bolt GB/T5783 M10x35-12.9	达克罗	6	
6	YW40114100100	Fixed front blade F1	Cr12MoV	3	
5	YW69083500000	Elastic cylindrical pin GB/T 879.1 6x35	65Mn	8	
4	YW61103000100	Hexagon socket head screw GB/T70.1	达克罗	12	
3	BH10010060110	Upper box left end plate	Q235A	1	
2	BH10320300110	Upper box front box block	QT500-7	1	
1	BH10009003210	Upper box right end plate	Q235A	1	
序号	代 号	名 称	材 质	数 量	备 注

					制图		版号		标题	SG-L32	图号		比例		数量	
					设计		核		粉碎室上箱总成						材质	
					校对		准		信易電熱機械股份有限公司 Shini Plastics Technologies, Inc.				表面要求			
标记	更改前	更改后	更改人	日期	审核		日期								物料号	

Weight(kg)	Noise Level dBA)	Max. Output Capacity(kg/h)	Cutting Chamber(mm)	Number of teeth cutter	Number of staggered blade	Rotating Speed(r.p.m)	Motor power(kW)	Ver.
300	80~85	20	320x4.30	4	3	27	2.2	B

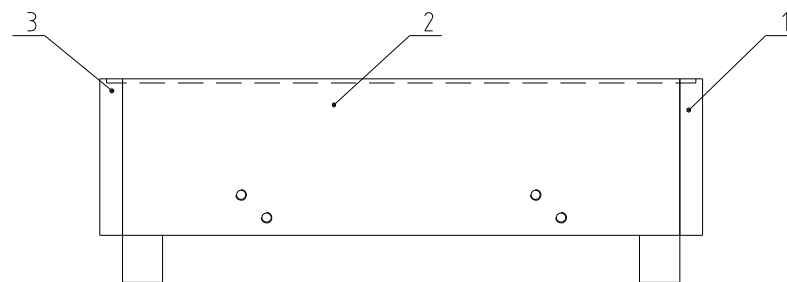
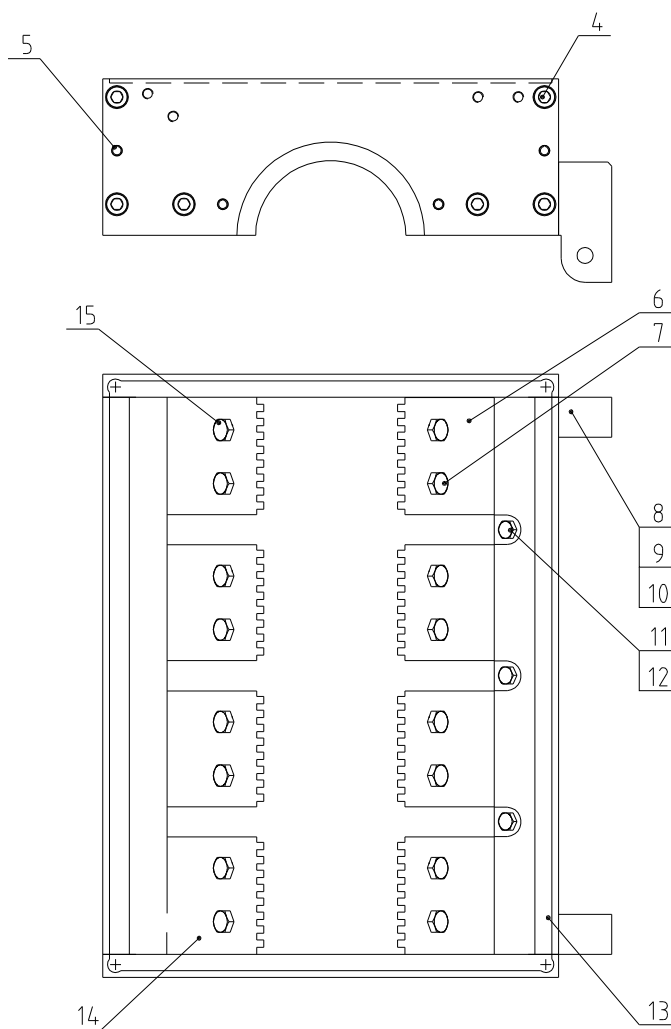
- Note: 1) Cr12Mo1V1 corresponds to the Japanese JIS standard number SKD11;
 2) 5mm knives are standard products, while 4mm and 6mm knives are optional products;
 3) The maximum crushing capacity depends on the size and material of the crushed material;
 4) The noise during crushing varies depending on the configuration of the crushing material and motor;
 5) To avoid plastic sticking to the knife, all materials to be crushed should be crushed at room temperature;
 6) The machine voltage specification is 3 Ø, 400VAC, 50Hz.



43	--	Screw limit board	SUS201	1	
42	YW63050800000	Gross recessed pan head screw Ø7*48		4	
41	YW69001600000	Retaining ring for shaft Ø7/Ø4.18	SUS201	3	
40	YW61043000000	One large guide screw Ø7/1.18x3.24long		2	
39	YW03000300000	3" black PPA wheel with middle brake	Assembly	2	
38	--	Shaft coupler cover		1	
37	YW61082001200	Hexagon socket head screw Ø7/1.1 M12		6	
36	YW61081000200	Hexagon socket head screw Ø7/1.1 M10*1.1		1	
35	YW65008000100	Standard spring washer Ø3/733 8		9	
34	YW61081600000	Hexagon socket head screw Ø7/1.1 M16		8	
33	--	Feeding box locking block	SPH6.0	1	
32	YW09160200000	Big Star nut M3.5 30-100 30-100-0000-02	AL	1	
31	YW09301400000	Axle pin	Q235A	1	
30	YW09003010500	Star screw	Q235A	1	
29	BL54300003920	Hinge seat	SPH	1	
28	YW61123000000	Hexagon socket head screw Ø7/1.1		4	
27	--	Storage box fixed plate	SUS201	2	
26	YW66061300000	Flat washer A grade Ø3/737.1 6long		10	
25	YW65006000100	Standard spring washer Ø3/733 6long		10	
24	YE40022501100	Matrix mixer circuit breaker MS-5 (6-10) (AM)	Assembly	1	
23	YW61061200000	Hexagon socket head screw Ø7/1.1		10	
22	--	Switch Fixing Plate	Weld assembly	1	
21	--	Feed box assembly	Assembly	1	
20	YW69001200000	Black ring for shaft Ø7/Ø4.18x3.7650	SUS201	2	
19	BH1024.04.00110	Feed box spindle	SUS201	1	
18	--	Feed box hinge	SPH5.0	1	
17	--	Safety switch inserts	SUS201	1	
16	--	Fixing plate for safety switch	SUS201	1	
15	--	Cutting chamber assembly	Assembly	1	
14	YW64012100000	Hexagonal nut Ø8/16170 M12	4	4	
13	YW66122400000	Flat Washer Grade A Ø8/137.1 12	14.0HV	12	
12	YW65012000000	Standard spring washer Ø3/733 12	65Mn	12	
11	YW61126500000	Hexagon socket head screw Ø7/1.1	12.9	4	
10	YM50572200100	For star M3.5M3.5 shaft diameter Ø 7/Ø4.18	Assembly	1	
9	YR4.00835000000	Five-star handle B type M6*35	Assembly	1	
8	YW69621600000	Hand twist screw M6*20*16		1	
7	--	Suction pipe	SUS201(11.0)	1	
6	--	Storage box	Weld assembly	1	
5	--	Rock assembly	Weld assembly	1	
4	YW66081900000	Flat Washer Øx13x2.0 Dark Rust	14.0HV	4.3	
3	YW64000800100	Hex metal insert hexagon nut Ø7/Ø8.1 8	4	17	
2	YW60082000200	Hexagon head bolt Ø3/7333 M6*20-8.8		16	
1	YW03000300300	Flat plate fixed black rubber wheel 3"	Assembly	2	

序号	代号	名称	材质	数量	备注
----	----	----	----	----	----

					制图	版号	标题	图号	比例	数量
					设计	核准	SG-L43		1:1	1
					校对		总成		表面要求	材质
标记	更改前	更改后	更改人	日期	审核	日期	SHINI 信易电热机械股份有限公司 Shini Plastics Technologies, Inc.		物料号	



15	YW60103000200	Hexagon head bolt GB/T5783 M10x30-12.9	Longzine	8	
14	YW40151200100	Fixed rear blade	Cr12MoV	4	
13	BH10430500210	Upper box rear box block	QT500-7	1	
12	YW60081600000	Hexagon head bolt GB/T5783 M8x16-12.9	Longzine	3	
11	YW40203100100	Fixed front blade F2/SG-L-D-03	Cr12MoV	3	
10	YW65010000000	Standard spring washer GB/T93-10	Longzine	4	
9	YW61103500000	Hexagon socket head screw GB/T70.1	Longzine	4	
8	BH10242300110	Hinge base	6061	2	
7	YW60103500200	Hexagon head bolt GB/T5783 M10x35-12.9	Longzine	8	
6	YW40114100100	Fixed front blade F1	Cr12MoV	4	
5	YW69083500000	Elastic cylindrical pin GB/T 879.1 6x35	65Mn	8	
4	YW61103000100	Hexagon socket head screw GB/T70.1	Longzine	12	
3	BH10010060110	Upper box left end plate	Q235	1	
2	BH10430300210	Upper box front box block	QT500-7	1	
1	BH10009003210	Upper box right end plate	Q235A	1	
序号	代 号	名 称	材 质	数 量	备 注

					制图		版号		标题	SG-L43	图号		比例		数量	
					设计		核		粉碎室上箱总成					材质		
					校对		准		信易電熱機械股份有限公司 Shini Plastics Technologies, Inc.			表面要求				
标记	更改前	更改后	更改人	日期	审核		日期							物料号		