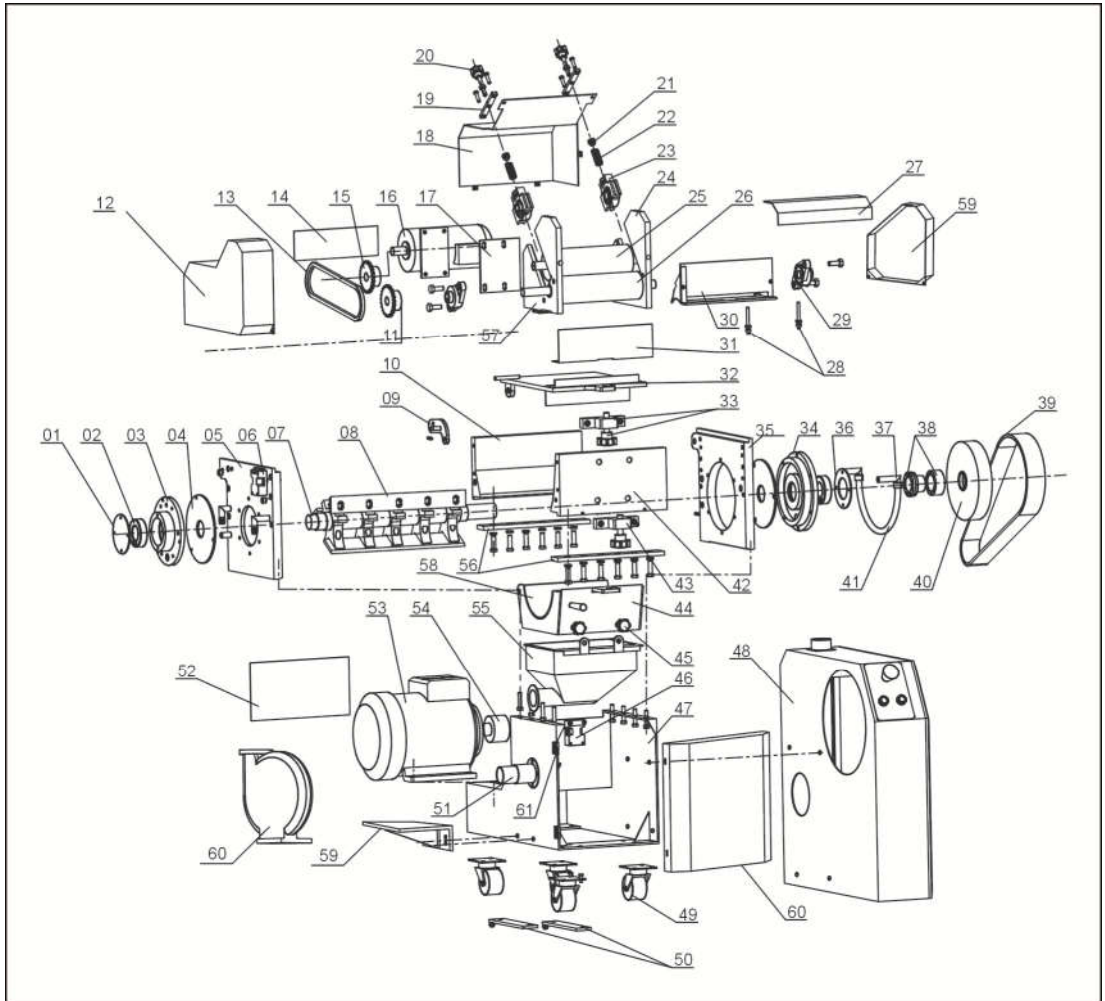


1. Assembly Drawing



Note: Please refer to material list 2 about the parts code.

2. Parts List

No.	Name	Part No.	
		SGF-2628E	SGF-2642E
1	Left bearing cover	BL52292800020	BL52292800020
2	Bearing	YW11220900000	YW11220900000
3	Left bearing pedestal	BW30292801010	BW30292801010
4	Material fender	YW45290000000	YW45290000000
5	Left insert block of granulator	BW30292800410	BW30292800410
6	Safety switch	YE16147600000	YE16147600000
7	Main shaft	BH11292800010	YS24604500000
8	Rotary blade	YW41292800100	YW41294200100
9	Supporting block	BH10292800140	BH10292800140

10	Rear insert block of granulator	YW30292800900	YW30292800900
11	Sprocket wheel 1	YW30292800600	YW30292800600
12	Small motor cage	BL57292800020	BL57292800020
13	Chain	YW09081200000	YW09081200000
14	Feed throat welded pin	BL52292800020	BL52292800020
15	Sprocket wheel 2	YW30292800800	YW30292800800
16	Reducer	YM50112000000	YM50112000000
17	Installation board of small motor	-	-
18	Rear cover plate of small motor	-	-
19	Adjusting block of driven wheel	BL52292800120	BL52292800120
20	Long hexagonal screw	YR40166000000-	YR40166000000-
21	Pressure head	BH10292800240	BH10292800240
22	Compression spring*	YW01163600000	YW01163600000
23	Bearing cover	YW30292801100	YW30292801100
24	Feed throat welded right plate	-	-
25	Driven running roller	YW30292800300	YW30292800300
26	Driving running roller	BH10292800210	BH10292800210
27	Feed throat welded top plate	-	-
28	Material size adjusting pole	BH10292800010	BH10292800010
29	Bearing pedestal	YW11020500000	YW11020500000
30	Material fending component	-	-
31	Feed throat welded front plate	-	-
32	Feed throat welded bottom plate	-	-
33	Connecting block 1 and hexagonal handle	YW09001000000	YW09001000000
34	Right insert block of granulator	BW30292800210	BW30292800210
35	Right bearing pedestal	BW30292800610	BW30292800610
36	Right bearing cover	YW30292800200	YW30292800200
37	Water supply pipe connector	BW04030800010	BW04030800010
38	Lock ring	BH13200001010	BH13200001010
39	Poly V-belt *	YR00562000000	YR00562000000
40	Big belt pulley	BW30001605120	BW30001605120
41	Cooling copper pipe	BL57292800020	BL57292800020
42	Front insert block of granulator	YW30292800100	YW30292800100
43	Connecting block 2 and hexagonal handle	YW09001000000	YW09001000000
44	Assembly of screen frame	-	-
45	Hexagonal handle	YW09100000000	YW09100000000
46	Safety switch*	YE16147600000	YE16147600000
47	General supporting frame	-	-
48	Assembly of electric cabinet	-	-
49	Truckle	YW03000300400 YW03000300200	YW03000300400 YW03000300200
50	Adjusting plate for main motor installation	-	-
51	Extraction line	-	-

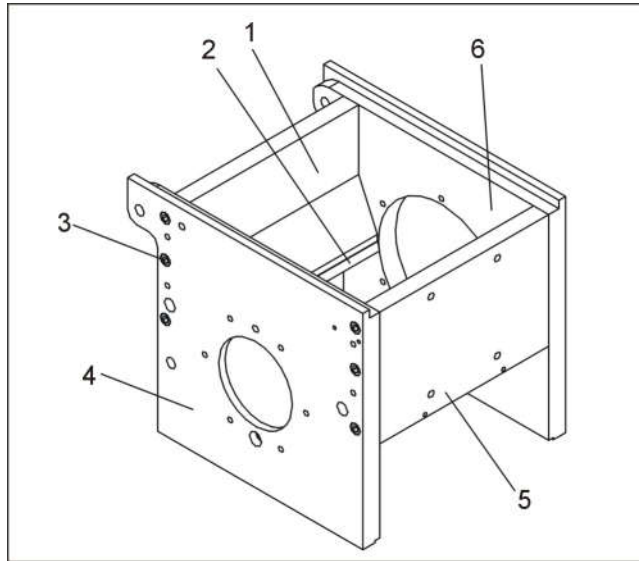
52	Rear baffle plate	-	-
53	Main motor	YM10113300000	YM10135500000
54	Small belt pulley	BW30002005220	BW30002005220
55	Storage box	BL52292810020	BL52294210020
56	Static blade **	YW41292800000	YW41294200000
57	Feed throat welded right plate	-	-
58	Screen**	BL52042700020	BL52044100020
59	Right outer shell	-	-
60	Front door	-	-
61	Hinge	YW06203100400	YW06203100400

* means possible broken parts.

** means easy broken part. and spare backup is suggested.

Please confirm the version of manual before placing the purchase order to guarantee that the item number of the spare part is in accordance with the real object.

3. Cutting Chamber

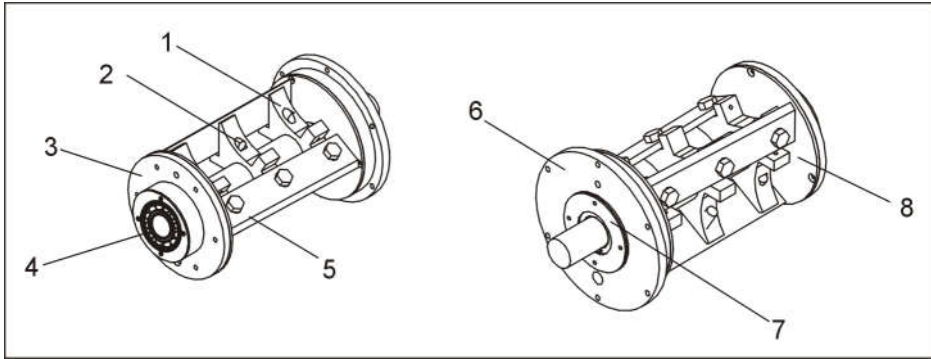


Note: Please refer to material list 4 about the parts code.

4. Cutting Chamber Parts List

No.	Name	Quantity
1	Cutting chamber back block	1
2	Fixed blade	1
3	Inner hexagon cylindrical screw	12
4	Cutting chamber left block	1
5	Cutting chamber front block	1
6	Cutting chamber right block	1

5. Blade Rest

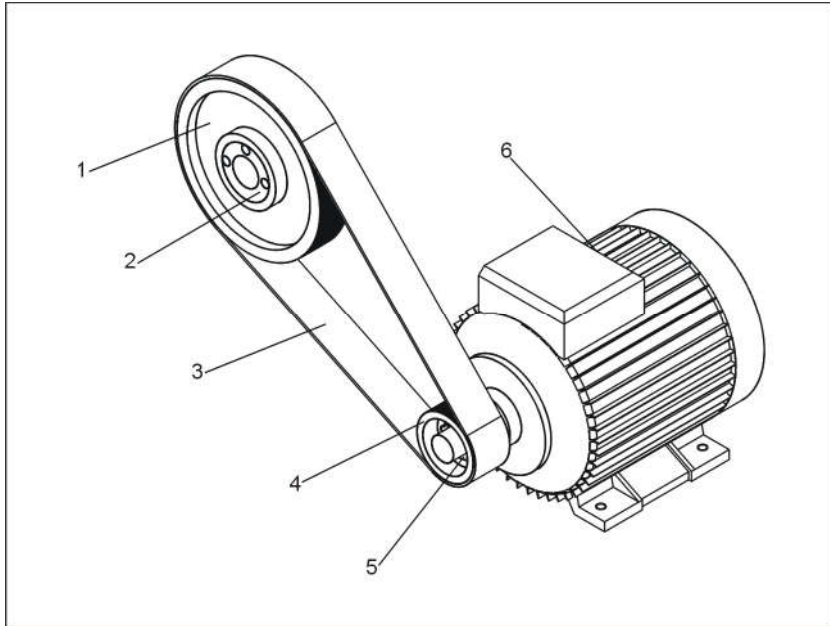


Note: Please refer to material list 6 about the parts code.

6. Blade Rest Parts List

No.	Name	Quantity
1	Blade rest shaft	1
2	Hexagon screw bolt	9/15
3	Left bearing block	1
4	Bearing	2
5	Rotary blade	3
6	Right bearing block	1
7	Damper	2
8	Bearing cover	1

7. Transmission Parts



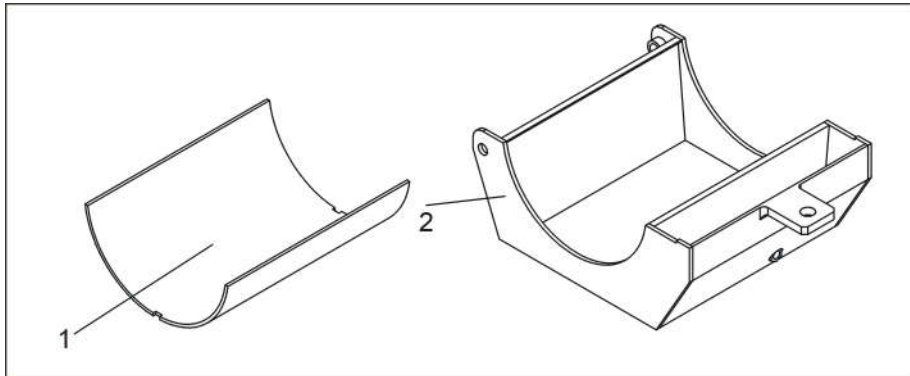
Note: Please refer to material list 8 about the parts code.

8. Transmission Parts List

No.	Name	SGF-2628E		SGF-2642E	
		Part No.	Quantity	Part No.	Quantity
1	Big belt pulley	BW30001605120	1	BW30001605120	1
2	Taper sleeve 3020-45	BW30002005520	1	BW30002005520	1
3	Poly V-belt 56"	YR00562000000	1	YR00562000000	1
4	Small belt pulley	BW30002005220	1	BW30002005220	1
5	Taper sleeve 1610-38	BW30002005420	1	BW30002005420	1
6	Main motor	YM10113300000	1	YM10135500000	1

Please confirm the version of manual before placing the purchase order to guarantee that the item number of the spare part is in accordance with the real object.

9. Screen and Its Frame



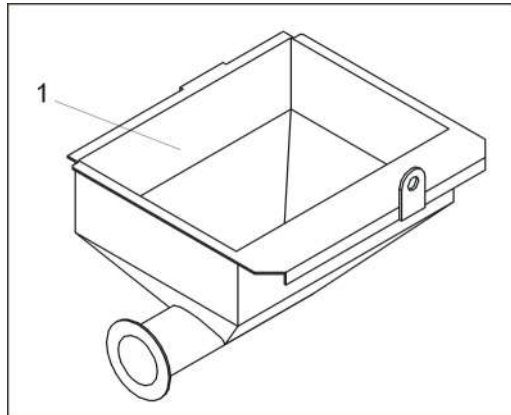
Note: Please refer to material list 10 about the parts code.

10. Screen and Its Frame Parts List

No.	Name	SGF-2628E		SGF-2642E	
		Part No.	Quantity	Part No.	Quantity
1	Screen	BL52292800820	1	BL52294200820	1
2	Assembly of screen bracket	-	1	-	1

Please confirm the version of manual before placing the purchase order to guarantee that the item number of the spare part is in accordance with the real object.

11. Storage Box

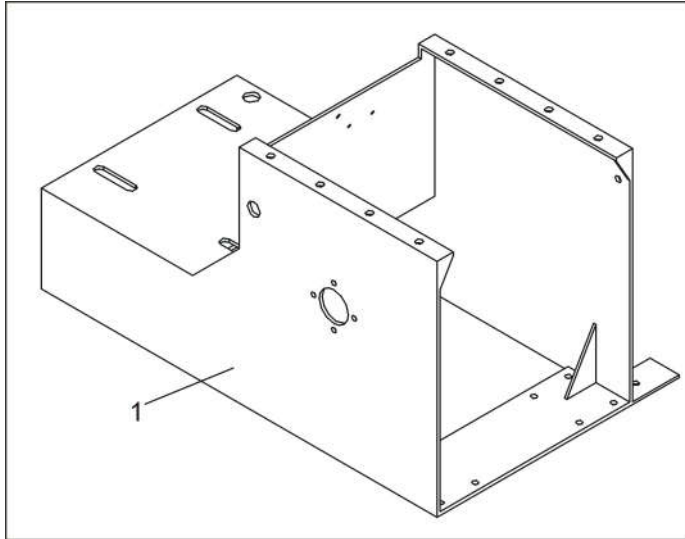


Note: Please refer to material list 12 about the parts code.

12. Storage Box Parts List

No.	Name	SGF-2628E		SGF-2642E	
		Part No.	Quantity	Part No.	Quantity
1	Storage box	-	1	-	1

13. Main Supporting Frame

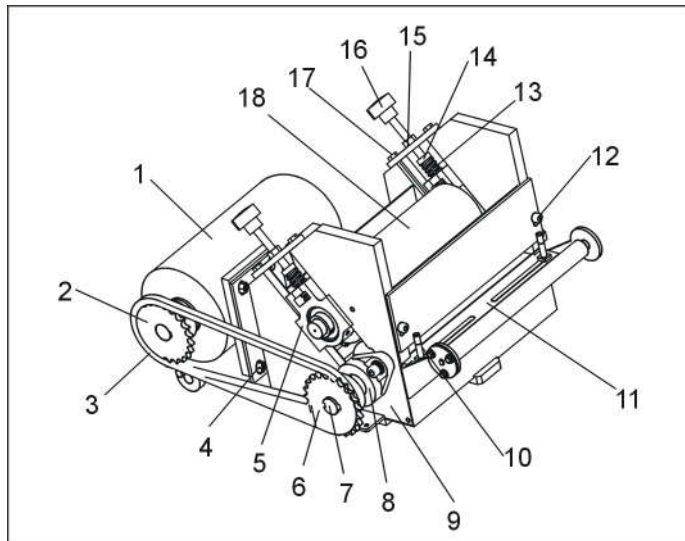


Note: Please refer to material list 14 about the parts code.

14. Main Supporting Frame Parts List

No.	Name	SGF-2628E		SGF-2642E	
		Part No.	Quantity	Part No.	Quantity
1	Main supporting frame	-	1	-	1

15. Rolling Device



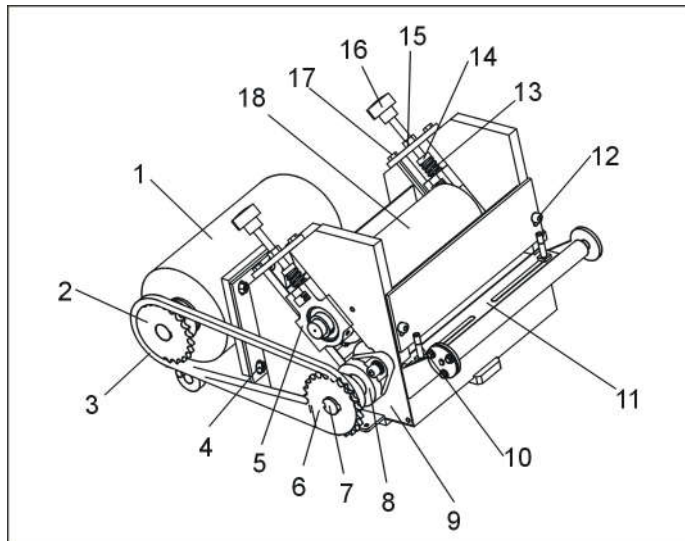
Note: Please refer to material list 16 about the parts code.

16. Rolling Device Parts List

No.	Name	SGF-2628E		SGF-2642E	
		Part No.	Quantity	Part No.	Quantity
1	Gear box	YM50112000000	1	YM50112000000	1
2	Sprocket wheel 1	YW30292800600	1	YW30292800600	1
3	Chain	YW09081200000	1	YW09081200000	1
4	Hex nut	YW64000800100	4	YW64000800100	4
5	Bearing	YW11020500100	2	YW11020500100	2
6	Sprocket wheel 2	YW30292800800	1	YW30292800800	1
7	Driving running roller	BH10292803010	1	BH10294020010	1
8	Bearing	YW11020500000	2	YW11020500000	2
9	Welding feeding port	-	1	-	1
10	Material size adjusting pole	BH10292800040	2	BH10292800040	2
11	Material fending component	-	1	-	1
12	Inner hexagon cylindrical	YW61082000200	2	YW61082000200	2
13	Spring	YW01163600000	2	YW01163600000	2
14	Pressure head	BH10292800240	2	BH10292800240	2
15	Adjusting block of driven wheel	BL52292800140	2	BL52292800140	2
16	Long star screw	YW09107000000	2	YW09107000000	2
17	Hexagon screw bolt	YW60083000200	4	YW60083000200	4
18	Driven running roller	YW30292800300	1	YW30292800500	1

Please confirm the version of manual before placing the purchase order to guarantee that the item number of the spare part is in accordance with the real object.

17. Screw Feeding Device



Note: Please refer to material list 18 about the parts code.

18. Screw Feeding Device Parts List

No.	Name	Part No.	No.	Name	Part No.
1	screw shaft	--	12	2.5" Cyclone air outlet	--
2	Component of screw discharge pipe	--	13	Flange	--
3	Motor mouting flange	--	14	Conveying motor	YM10371800000
4	Inner hexagon cylindrical screw GB/T70.1 M8x35-12.9- longzine	YW61083500000	15	Hexagon screw bolt GB/T5781 M8x16-4.8-- longzine	YW60081600100
5	Standard spring washer GB/T93 8- longzine	YW65008000100	16	New knob SHR-P-12U-A-20	YW00121000100
6	Flat gasket A GB/T97.1 8(8x19x2.0) - longzine	YW66081900000	17	Pothook	--
7	Non metal insert of hexagon locknut GB/T889.1 M8	YW64000800100	18	Cross socket head cap screw GB/T-818 M6x10- longzine	YW63061000000
8	2.5" Cyclone main body B	--	19	Fastener for filtering barrel 700/800G Rubber	YR10708000100
9	2.5" Cyclone main body A	--	20	Inner hexagon cylindrical screw GB/T70.1 M8x20-8.8- longzine	YW61082000000
10	Hexagon screw bolt GB/T5783 M8x20-8.8- longzine	YW60082000200	21	6x6x78 Flat key	YW69667800000
11	2.5" Cyclone air inlet	--			

Please confirm the version of manual before placing the purchase order to guarantee that the item number of the spare part is in accordance with the real object.