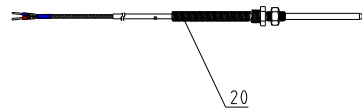
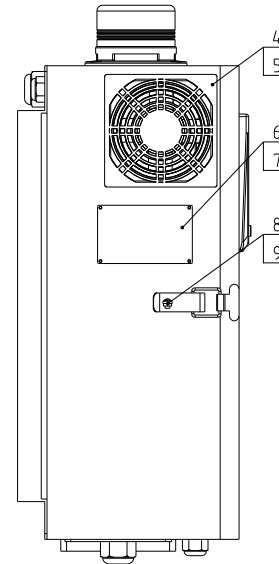
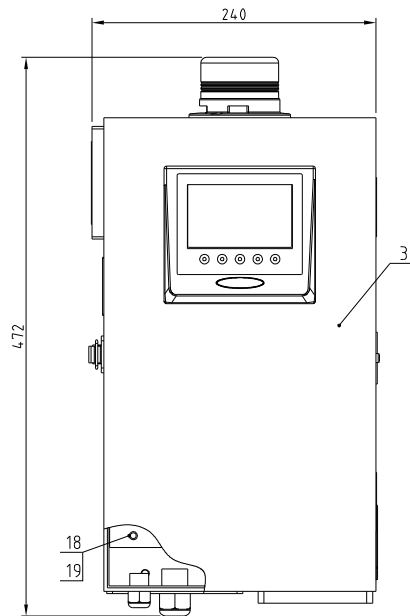
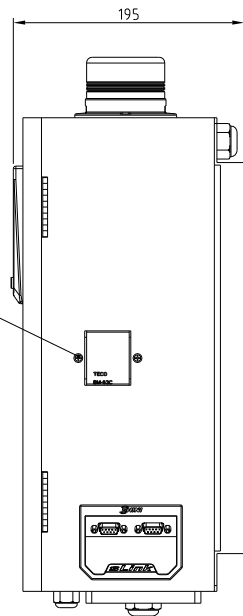
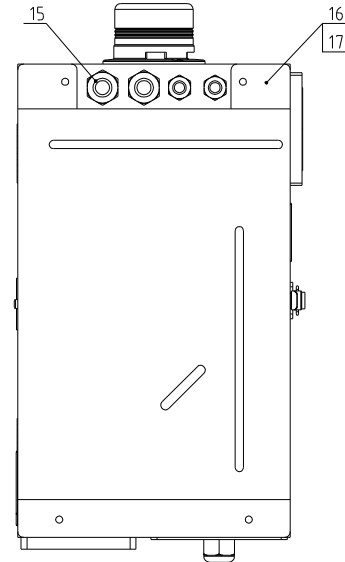
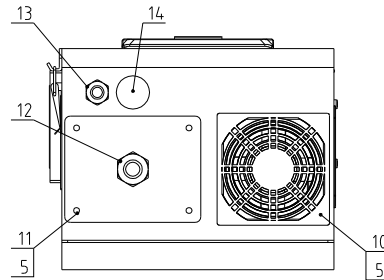


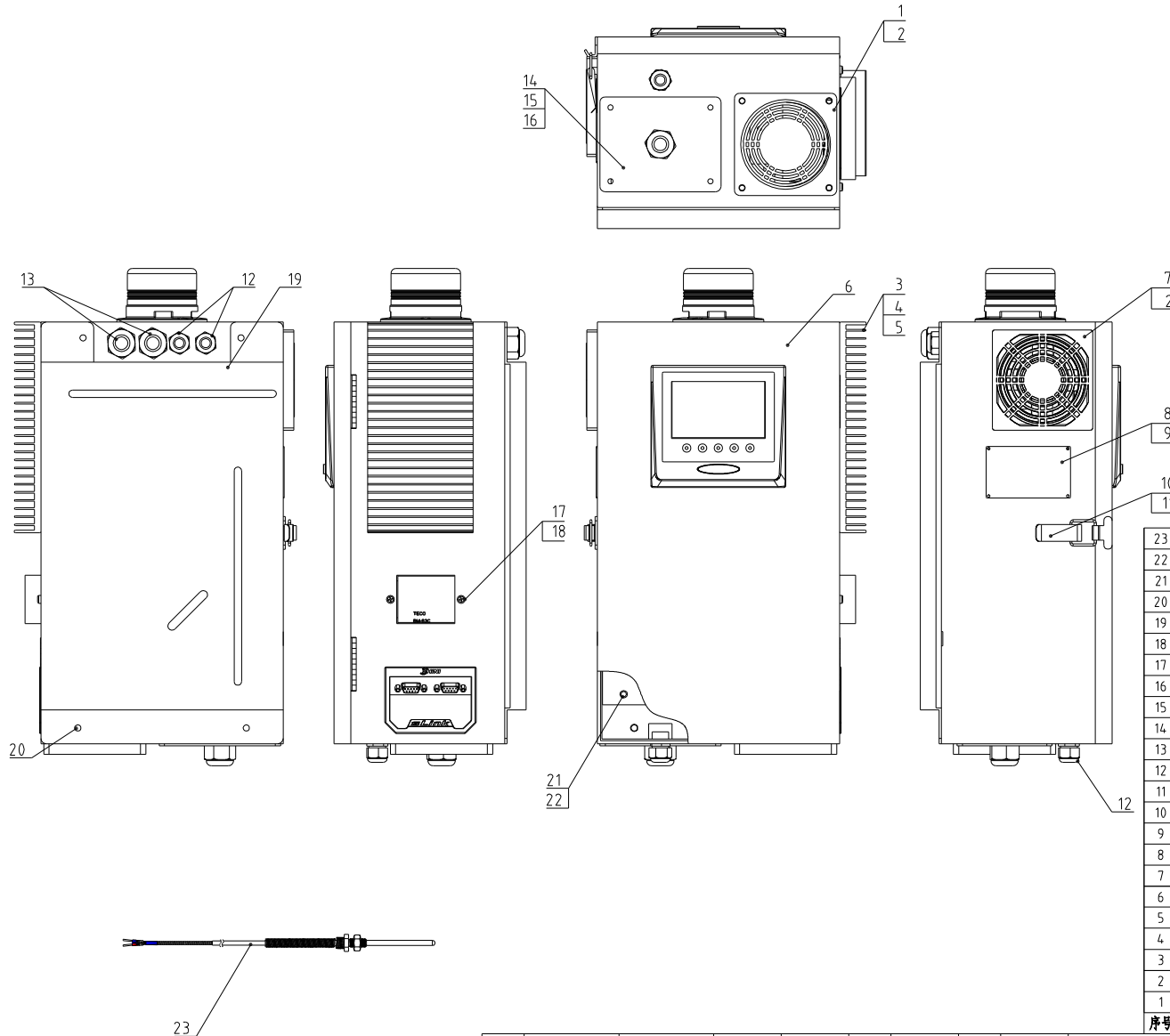
Can support the maximum single-phase blower power	Can support the maximum single-phase drying heating power	Voltage specification	Ver.
600W	4.2kW	1φ230V	Ver. A



19	YE90530800400	Hexagonal nut GB/T6170 M5-Longline		1	
19	YW64.050300000	Hexagonal nut GB/T6170 M5-Longline		4	
18	SEC-75SH-ALL-01	Electrical installation plate	SECC15	1	
17	YW67061500600	Hex nut pin head self-tapping lock screw GB2919 M6-Longline		4	
16	SEC-150SH-ALL-01	Adapter board	SPCC2.0	1	
15	YE67001100000	Cable lock head PG11		2	
14	YR30002200100	Hexwood hole plug for control box Φ22 H=22		1	
13	YE6700094.00000	Cable lock head PG9		3	
12	YE67201500200	Hex wood hole pin GB2919 M4-L=14.5 H=14.5		1	
11	BL50135000020	Wire clamp fixed plate PG1.5 8#-20 (low model)	SPCC2.0	1	
10	YR4.00909000000	Hexnut for 2-in-1 dust-proof plastic screen Φ4		1	
9	YW64.000300100	Hexagonal nut GB/T6170 M5-Longline		1	
8	YW63030600000	Hex wood nut pin head screw GB2919 M6-Longline		1	
7	YW69020500000	Rivet GB/T 827 2x5	2024	4	
6	YP30804.900700	Hexagon plate sample (shell) for panel use by the pump 10#	Alu.	1	
5	YW67051000700	Hex nut pin head self-tapping lock screw GB2919 M6-Longline		16	
4	YM60922500100	Hexnut for plastic grille GB2919 M6-L=22.5 H=22.5	assembly	1	
3	SEC-75SH-A-ALL	Control iron box	Weldment	1	
2	YW67040600600	Hex nut pin head self-tapping lock screw GB2919 M6-Longline		2	
1	SEC-75SH-ALL-02	Breaker fixed plate	SPCC10	1	

序号	代号	名称	材质	数量	备注
		标题 SEC-75SH	图号	比例 1:4	数量
		节能干燥智能控制系统		材质	/
		SHINI 信易电热机械股份有限公司 Shini Plastics Technologies, Inc.	表面要求	/	
标记	更改前	更改后	更改人	日期	审核
					日期

可支持最大热风功率 Can support maximum blower power	可支持最大干燥加热功率 Can support maximum drying heating power	电压等级 Voltage	版本号 Ver.
600W	7.2kW	3Φ4.00V	Ver. A



23	YE90530800400	Thermocouple 5 × 30L × M8 × 3M tube type SCD-230U/120H-ALL-08 version 0	assembly	1	
22	YW64000600300	Hexagonal nut GB/T6170 M6-Longzine		4	
21	SEC-150SH-ALL-02	Electrical component installation plate	SECC1.5	1	
20	YW67061500600	Cross recessed pan head tapping screw GB6560 M6×15-Longzine		4	
19	SEC-150SH-ALL-01	Adapter board	SPCC2.0	1	
18	YW67040600600	Cross recessed pan head tapping screw GB6560 M6×6 Longzine		2	
17	BL22080000220	Breaker fixed plate	SPCC1.0	1	
16	YW67051000700	Cross recessed pan head tapping screw GB6560 M6×10 Longzine		4	
15	BL50135000020	Wire fixture fixed plate PG13.5 SG-S-01has mould	SPCC2.0	1	
14	YE67201500200	Copper-nickel-plated cable joint LTLc-M20-15(L 0+4C/5C 2.5+5C for cable)	copper-nickel-plated	1	
13	YE67001100000	Cable head PG11		2	
12	YE67000940000	Cable head PG9		3	
11	YW64000300100	Hex nut GB/T6170 M3-Longzine		1	
10	YW63030600000	Cross recessed pan head screw GB/T-823 M3x6-Longzine		1	
9	YW69020500000	Rivet GB/T 827 2x5		4	
8	YP30804900700	Aluminum plate nameplate (small) group universal 80 × 49mm	Aluminum	1	
7	YM60922500100	Exhaust fan - plastic air net 9225A1220V/240V/450/60Hz	Assembly	1	
6	SEC-150SH-A-ALL	Control box	Weldment	1	
5	YW61041000100	Cross socket counter sunk head screw GB819 M6×10-Longzine		4	
4	YW63040600000	Cross recessed pan head screw GB/T818 M6×6-Longzine		4	
3	YW90120700000	Aluminum cooler SD-40H-ALL-28(Ver Allblack)	AL6063	1	
2	YW62050500000	Cross socket flat-head screw JS1111 M5×5-Longzine		8	
1	YR40090900000	Exhaust fan 3-in-1 dust-proof plastic screen 9x9		1	
序号	代号	名称	材料	数量	备注

制图	版号	标题	图号	比例	1:4	数量		
设计	核准	节能干燥控制系统				材质	/	
校对		信易电热机械股份有限公司 Shini Plastics Technologies, Inc.		表面要求		/		
标记	更改前		更改后	更改人	日期	审核	日期	物料号