

Mark	Before modification	Modified by	20190930	Checked by	20190930	Date	20190930	Approved by	20190930	Version	F	Title	SCD-20U(4.0U)/30H-OP Main Circuit Diagram 1	Drawing NO.	SCD-20U(4.0U)/30H-OP-CE-230V-F-1	Standard	CE	Scale	Page 1	Totally 6	Pages	

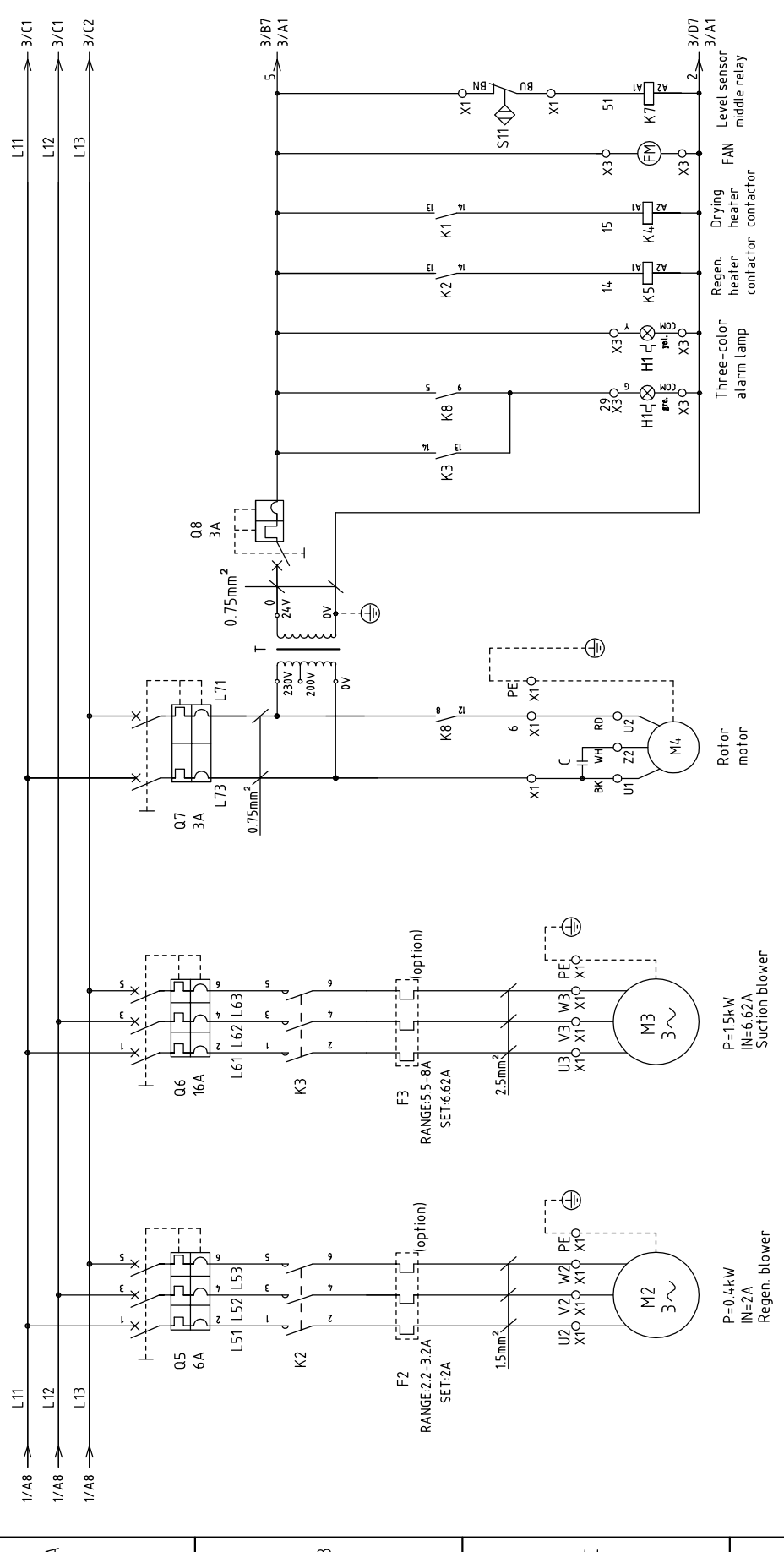
SHINI
信易電熱機械股份有限公司
Shini Plastics Technologies, Inc.

P=0.4kW
IN=2A
Drying blower

P=3kW
IN=7.5A
Regen.heater

P=3kW
IN=7.5A
Drying heater

RANGE:2.2-3.2A
SET:2A
(option)



机型版本 Ver. E		SCD-20U(4.0U)/30H-OP		SCD-20U(4.0U)/30H-OP		SCD-20U(4.0U)/30H-OP		SCD-20U(4.0U)/30H-OP-CE-230V-F-2		Page 2	
①		20190930		20190930		20190930		Standard		CE	
Mark		Before modification		After modification		Modified by		Checked by		Proofread by	
Designer		Designer		Designer		Designer		Approved by		Approved by	
Date		Date		Date		Date		Date		Date	
20190930		20190930		20190930		20190930		20190930		20190930	
Title		Title		Title		Title		Title		Title	
Main Circuit Diagram 2		Main Circuit Diagram 2		Main Circuit Diagram 2		Main Circuit Diagram 2		Main Circuit Diagram 2		Main Circuit Diagram 2	
Voltage		Voltage		Voltage		Voltage		Voltage		Voltage	
3Φ230V		3Φ230V		3Φ230V		3Φ230V		3Φ230V		3Φ230V	
Frequency		Frequency		Frequency		Frequency		Frequency		Frequency	
50Hz		50Hz		50Hz		50Hz		50Hz		50Hz	
Totally		Totally		Totally		Totally		Totally		Totally	
6		6		6		6		6		6	
Pages		Pages		Pages		Pages		Pages		Pages	
6		6		6		6		6		6	



Drawing NO.

SCD-20U(4.0U)/30H-OP

Main Circuit Diagram 2

SCD-20U(4.0U)/30H-OP-CE-230V-F-2

Page 2

Totally 6

Pages

6

Voltage

3Φ230V

Frequency

50Hz

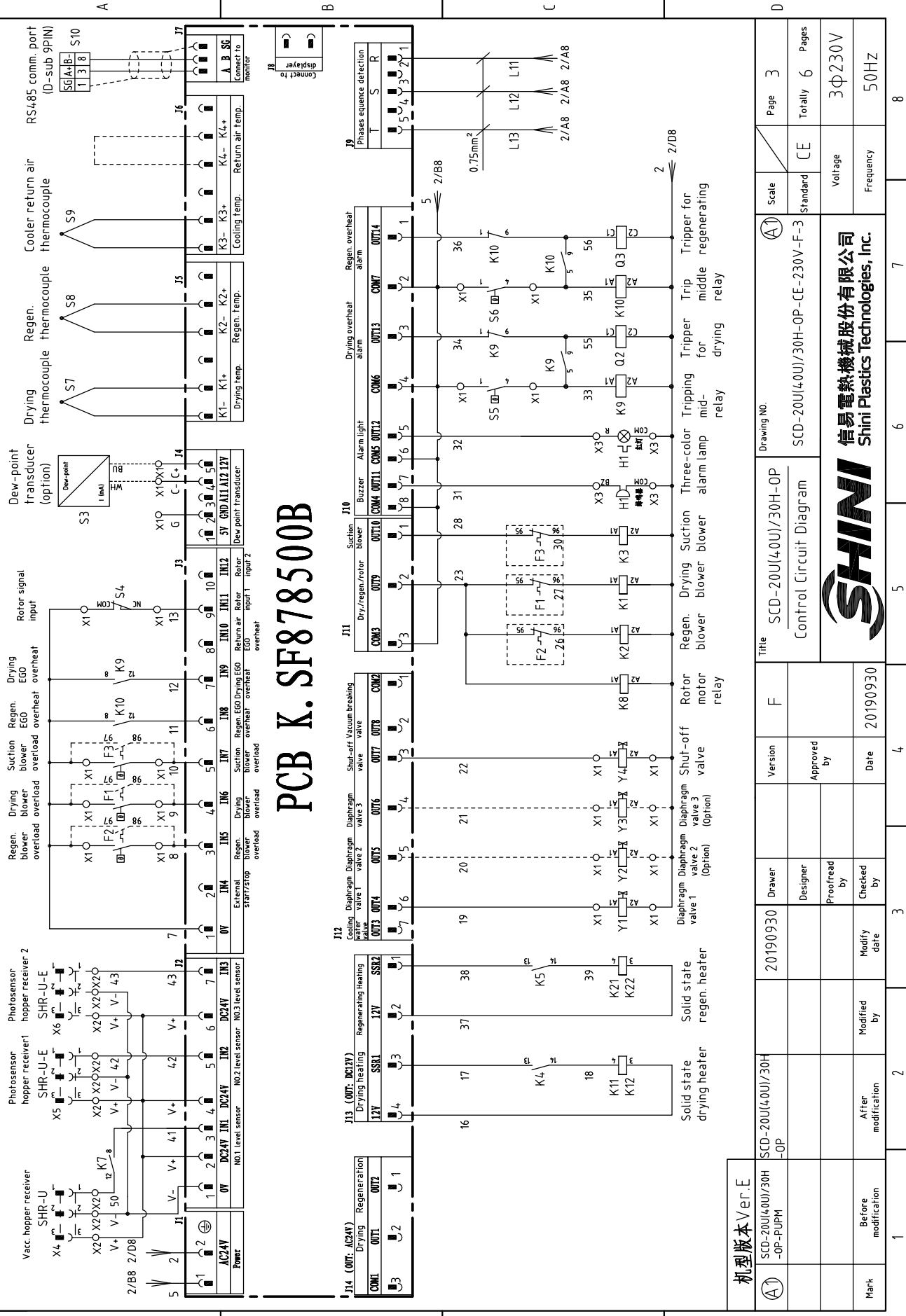
Totally

6

Pages

6

PCB K. SF878500B



机型版本 Ver. E	Title		Scale		Page	
SCD-20U(40U)/30H-OP-PUPM	SCD-20U(40U)/30H-OP	Standard	CE	Standard	Totally	6
	Designer	Approved by		Voltage	3Φ230V	
	Proofread by	Date		Frequency	50HZ	
Mark	Before modification	Modified by	Modify date			
			20190930			

信易电热机械股份有限公司
Shini Plastics Technologies, Inc.

Model	SCD-20U(40U)/30H-OP
Version	F
Designer	
Proofread by	
Checked by	
Modify date	20190930
After modification	
Before modification	

Control Circuit Diagram	Standard	CE
Regen. overheat alarm	COM7	OUT14
Drying overheat alarm	COM6	OUT13
Drying overheat alarm	COM3	OUT9
Alarm light	COM4	OUT11
Alarm light	COM5	OUT12
Suction blower	OUT10	COM4
Suction blower	OUT11	COM5
Suction blower	OUT12	COM6
Suction blower	OUT13	COM7
Suction blower	OUT14	COM8

Regen. overheat alarm	COM7	OUT14
Drying overheat alarm	COM6	OUT13
Drying overheat alarm	COM3	OUT9
Alarm light	COM4	OUT11
Alarm light	COM5	OUT12
Suction blower	OUT10	COM4
Suction blower	OUT11	COM5
Suction blower	OUT12	COM6
Suction blower	OUT13	COM7
Suction blower	OUT14	COM8

Regen. overheat alarm	COM7	OUT14
Drying overheat alarm	COM6	OUT13
Drying overheat alarm	COM3	OUT9
Alarm light	COM4	OUT11
Alarm light	COM5	OUT12
Suction blower	OUT10	COM4
Suction blower	OUT11	COM5
Suction blower	OUT12	COM6
Suction blower	OUT13	COM7
Suction blower	OUT14	COM8

Regen. overheat alarm	COM7	OUT14
Drying overheat alarm	COM6	OUT13
Drying overheat alarm	COM3	OUT9
Alarm light	COM4	OUT11
Alarm light	COM5	OUT12
Suction blower	OUT10	COM4
Suction blower	OUT11	COM5
Suction blower	OUT12	COM6
Suction blower	OUT13	COM7
Suction blower	OUT14	COM8

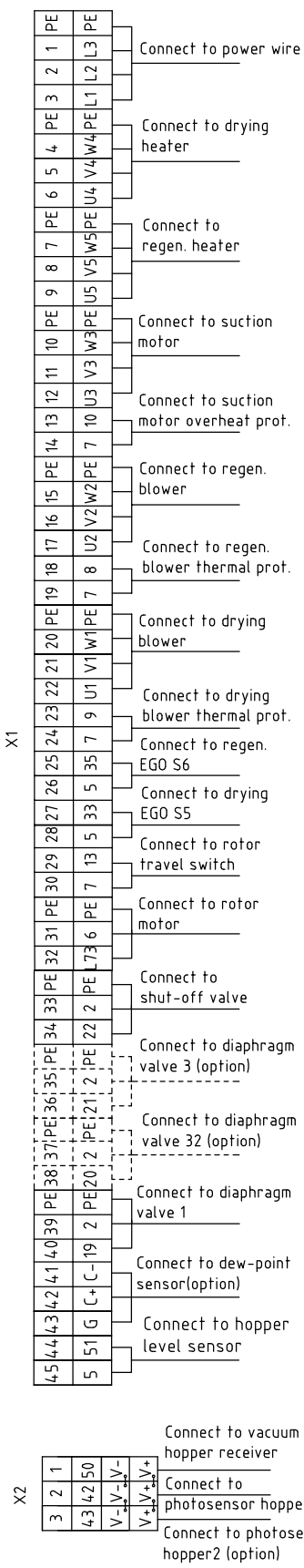
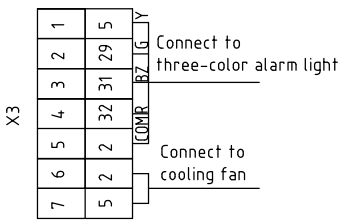
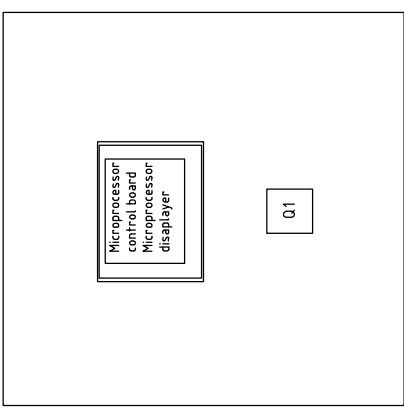
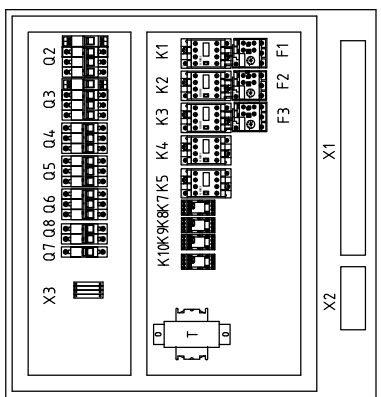
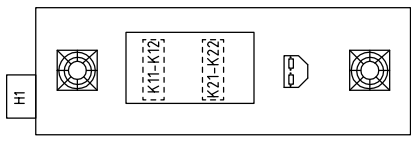
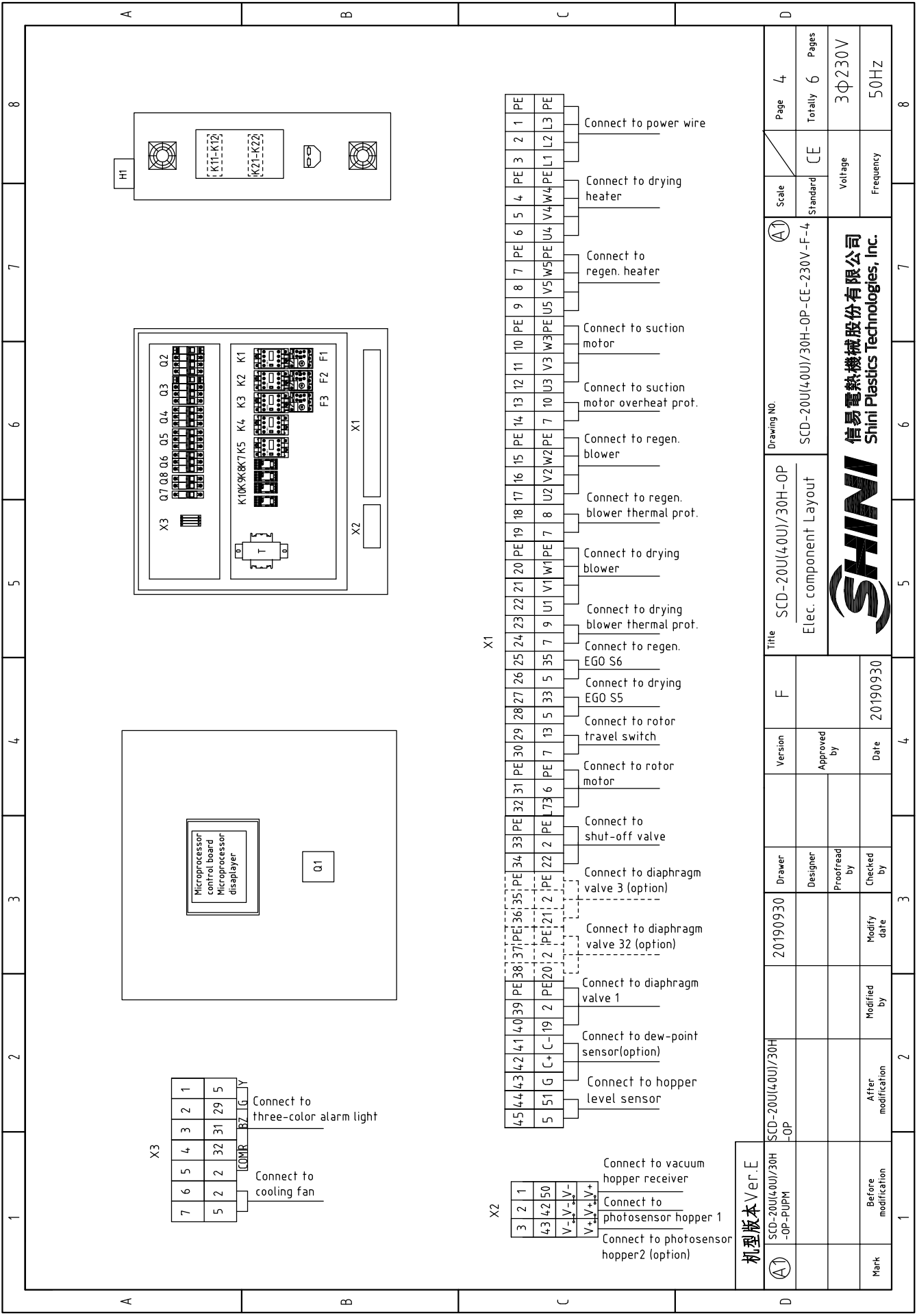
Regen. overheat alarm	COM7	OUT14
Drying overheat alarm	COM6	OUT13
Drying overheat alarm	COM3	OUT9
Alarm light	COM4	OUT11
Alarm light	COM5	OUT12
Suction blower	OUT10	COM4
Suction blower	OUT11	COM5
Suction blower	OUT12	COM6
Suction blower	OUT13	COM7
Suction blower	OUT14	COM8

Regen. overheat alarm	COM7	OUT14
Drying overheat alarm	COM6	OUT13
Drying overheat alarm	COM3	OUT9
Alarm light	COM4	OUT11
Alarm light	COM5	OUT12
Suction blower	OUT10	COM4
Suction blower	OUT11	COM5
Suction blower	OUT12	COM6
Suction blower	OUT13	COM7
Suction blower	OUT14	COM8

Regen. overheat alarm	COM7	OUT14
Drying overheat alarm	COM6	OUT13
Drying overheat alarm	COM3	OUT9
Alarm light	COM4	OUT11
Alarm light	COM5	OUT12
Suction blower	OUT10	COM4
Suction blower	OUT11	COM5
Suction blower	OUT12	COM6
Suction blower	OUT13	COM7
Suction blower	OUT14	COM8

Regen. overheat alarm	COM7	OUT14
Drying overheat alarm	COM6	OUT13
Drying overheat alarm	COM3	OUT9
Alarm light	COM4	OUT11
Alarm light	COM5	OUT12
Suction blower	OUT10	COM4
Suction blower	OUT11	COM5
Suction blower	OUT12	COM6
Suction blower	OUT13	COM7
Suction blower	OUT14	COM8

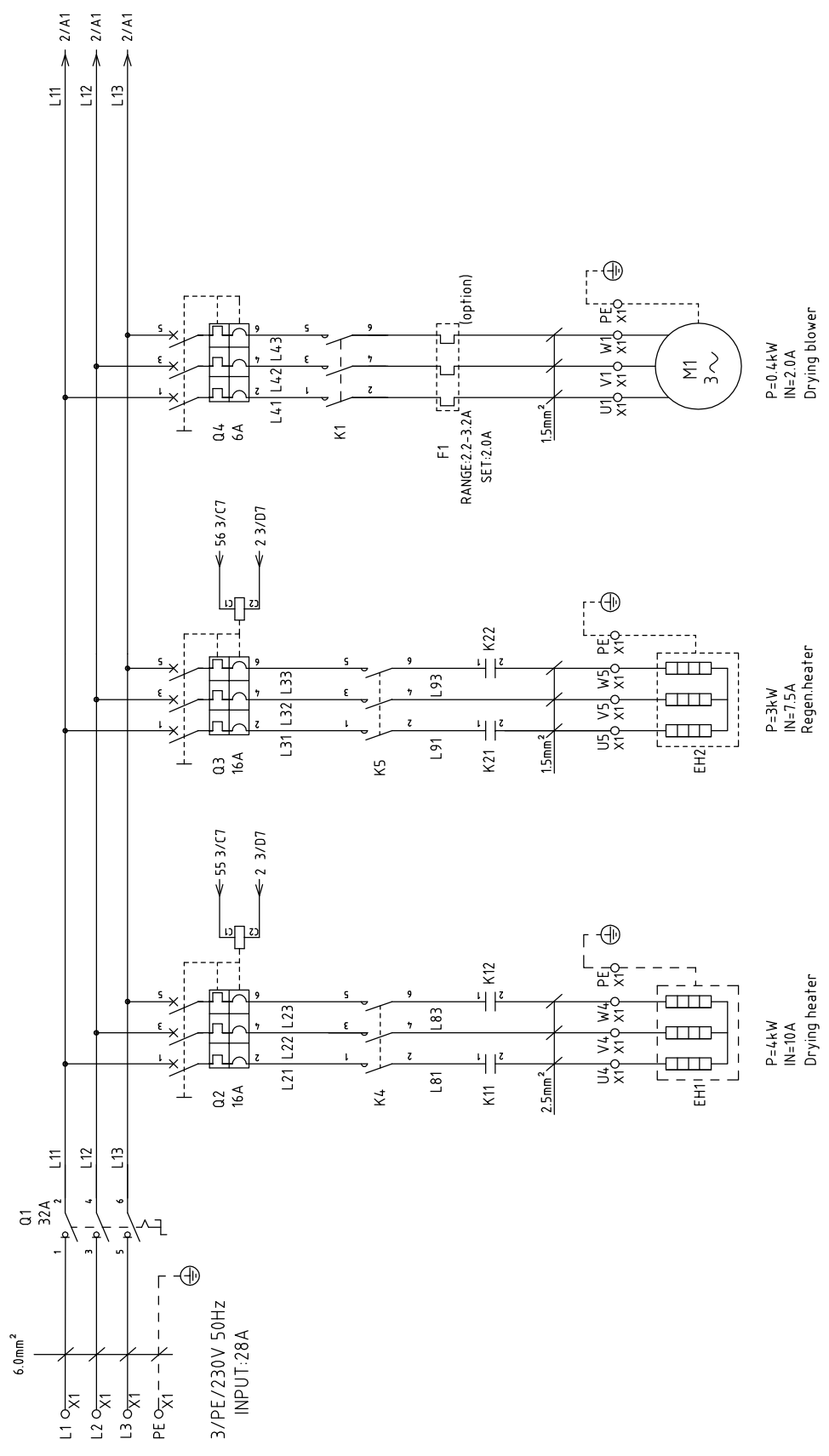
Regen. overheat alarm	COM7	OUT14
Drying overheat alarm	COM6	OUT13
Drying overheat alarm	COM3	OUT9
Alarm light	COM4	OUT11
Alarm light	COM5	OUT12
Suction blower	OUT10	COM4
Suction blower	OUT11	COM5
Suction blower	OUT12	COM6
Suction blower	OUT13	COM7
Suction blower	OUT14	COM8



初型版本 Ver.E		SCD-20U(4.0U)/30H-OP-PUPM		SCD-20U(4.0U)/30H-OP		SCD-20U(4.0U)/30H-OP-CE-230V-F-4		Page 4	
A		20190930		F		A		Totally 6 Pages	
Mark		Modified by		Approved by		Standard		Voltage	
Before modification		Modify date		Date		CE		3Φ230V	
After modification		20190930		20190930		Elec. component Layout		Frequency	
						SHINI 信易電熱機械股份有限公司 Shini Plastics Technologies, Inc.		50HZ	
1		3		4		5		6	
7		8		1		2		3	

1	2		3		4	5		6		7	8	
NO.	Symbol	Name	Manufacturer	Type	Specification	Number	Material number	Remark				
1	Q1	Main power switch	EATON	P2-32-EA/SVB	32A	1	YE10132320000					
2	Q2 Q3 Q6	Circuit-breaker	TECO	BM-63C 3P	16A	3	YE40301603000					
3	Q4 Q5	Excitation release	YIJIN	MX	24V 50/60Hz	2	YE40024000000					
4	Q4 Q5	Circuit breaker	TECO	BM-63C 3P	6A	2	YE40300603000					
5	Q7	Circuit breaker	TECO	BM-63C/2003S 3A 2P	3A	1	YE40200203000					
6	Q8	Circuit breaker	TECO	BM-63C/1003S 3A 1P	3A	1	YE40100203000					
7	K1 K2 K3	Contactor	SIEMENS	3RT6016-1AB01-24VAC	24V 50/60Hz	3	YE00601602500					
8	K4 K5	Contactor	SIEMENS	3RT6018-1AB01-24VAC	24V 50/60Hz	2	YE00601802500					
9	K7 K8 K9 K10	Middle relay	Honeywell	GR-2C-AC24V	Base PGR-2C-E	4	YE03022400300					
10	K11 K12 K21 K22	Solid state relay	FOTEK	KSR-40DA-H	40A/480VAC/4-32VDC	4	YE03404003200					
11	F1 F2	Thermal overload relay	SIEMENS	3RU6116-1DB0	2.2-3.2A	2	YE01160220000	(4)				
12	F3	Thermal overload relay	SIEMENS	3RU6116-1HB0	5.5-8A	1	YE01160550000	(4)				
13	PCB	Microprocessor control board+ Microprocessor display/PCB	PUMP	K.SF878500B	AC24V	1	YE81878500300					
14	T	Sensor transformer	JIUXIN	IN=230V/200V OUT=24V	180VA	1	YE70023005400					
15	S1	Reed switch	FOTEK	FC-12V	24VDC	1	----	(1)				
16	S2	Photoelectric switch	FOTEK	T18-3MNB-PE	24VDC	1	----	(1)				
17	S3	Dew-point transducer	SUTO	217-OEM	POWER=24VDC OUT=4-20mA	1	YE90021700100	(1) (2)				
18	S4	Micro switch	TEND	LXW5-11G1	250V 5(4)A	1	----	(1)				
19	S5 S6	Thermal overheat protector	EGO	WR-A-50-300-2500-3	250V 5(4)A	2	----	(1)				
20	S7,S8,S9	Thermocouple	SHINI	ST-K	K	3	----	(1)				
21	S10	Comm. interface board RS-485 (double D.sub-9pin connector)	YUYUN	----	485T0Dsub_V23	1	YE90048501200					
22		Shell RS485(SAL-700G-A-19)ver.0	BINCHENG	----	---	1	YR40048500000					
23	S11	Level sensor	IFM	KI0020-BB0A	20-250V AC/DC	1	YE15002000000	(1)				
24	Y1 Y4	Solenoid valve/Magnetic valve	AirTAC	4V210-06	AC24V	2	----	(1)				
25	Y2 Y3	Solenoid valve/Magnetic valve	AirTAC	4V210-06	AC24V	2	----	(1)(3)				
机型版本 Ver.E Notes:(1)Materials not in the control box; (2) With dew-point transducer;(3)Optional 1-to-2(-M2) model;(4) Optional thermal overload relay;												
SCD-200(4.0U)/30H-OP-PUPM			20190930		Version F		Title SCD-200(4.0U)/30H-OP		Drawing NO. SCD-200(4.0U)/30H-OP-CE-230V-F-5		Scale A1	
Designer			Approved by		Elec. Parts List 1		Standard CE		Page 5		Totaly 6 Pages	
Proofread by			Date 20190930		Voltage 3Φ230V		Frequency 50HZ					
Modified by			Modify date		SHINI		信易电热机械股份有限公司 Shini Plastics Technologies, Inc.					
After modification			3		4		5		6		7	
Before modification			2		3		4		5		6	
Mark			1		2		3		4		5	

1	2	3	4	5	6	7	8				
NO.	Symbol	Name	Manufacturer	Type	Specification	Number	Material number	Remark			
A	26	H1	SHINI	Priority	24V 50/60Hz	1	BL90002401520	(1)			
	27	X1	HONEYWELL	SK6	6mm ²	3	YE60000603200				
	28	Terminal board	HONEYWELL	GK6PE	6mm ² PE	1	YE60000603500				
	29	Terminal board	HONEYWELL	SK4	4mm ²	21	YE60000403200				
	30	Terminal board	HONEYWELL	GK5PE	4mm ² PE	5	YE60000403500				
	31	Terminal board	HONEYWELL	SK2.5	2.5mm ²	17	YE60002503200				
	32	Terminal board	HONEYWELL	SK2.5	2.5mm ²	4	YE60002503200	(3)			
	33	Terminal board	HONEYWELL	GK2.5PE	2.5mm ² PE	3	YE60002503400				
	34	Terminal board	HONEYWELL	GK2.5PE	2.5mm ² PE	2	YE60002503400	(3)			
	35	Terminal board	HONEYWELL	3-layer spring terminal SK2.5-TL	10A 250V	3	YE60002503600				
	36	Terminal board	HONEYWELL	FBSTB 10-ZDIK RD	10A 250V	3	YE60001000200				
	B	37	Terminal board	HONEYWELL	SK-2.5TL bridgware	10A 250V	3	YE600010003600			
38		Terminal board	HONEYWELL	SK2.5	2.5mm ²	7	YE60002503200				
39		X4,X5	Harting	4P+PE(socket)Han 4A-F	4P	2	YE68000401400	(1)			
40		X6	Harting	4P+PE(socket)Han 4A-F	4P	1	YE68000401400	(1)(3)			
41		FM	SUNON	12×12CM/24V/50/60HZ	24VAC 40W	1	---	(1)			
42		M1	SHINI	-----	230V 0.4kW	1	---	(1)			
43		M2	SHINI	-----	230V 0.4kW	1	---	(1)			
C	44	M3	SHINI	-----	230V 1.5kW	1	---	(1)			
	45	M4	---	-----	230V 0.015kW	1	---	(1)			
	46	EH1	SHINI	-----	230V 3kW	1	---	(1)			
	47	EH2	SHINI	-----	230V 3kW	1	---	(1)			
48		Terminal fittings E/GK series	HONEYWELL	---	E-GK	5	YE60000003900				
机型版本 Ver.E Notes:(1)Materials not in the control box; (2) With dew-point transducer;(3)Optional 1-to-2(I-M2) model;(4) Optional thermal overload relay;											
SCD-20U(40U)/30H-OP-PUPM		20190930		F		SCD-20U(40U)/30H-OP		Scale Standard CE		Page 6	
SCD-20U(40U)/30H-LOP		Designer		Approved by		Elec. Parts List 2		SCD-20U(40U)/30H-OP-CE-230V-F-6		Totallly 6 Pages	
Before modification		Modified by		Date 20190930		Voltage 3Φ230V		Frequency 50Hz		8	
After modification		Modify date		Checked by		SHINI 信易電熱機械股份有限公司 Shini Plastics Technologies, Inc.		CE		7	



机型版本 Ver.E	
Mark	Before modification
Mark	After modification
Modify date	20190930
Checked by	
Proofread by	
Designer	
Drawer	20190930

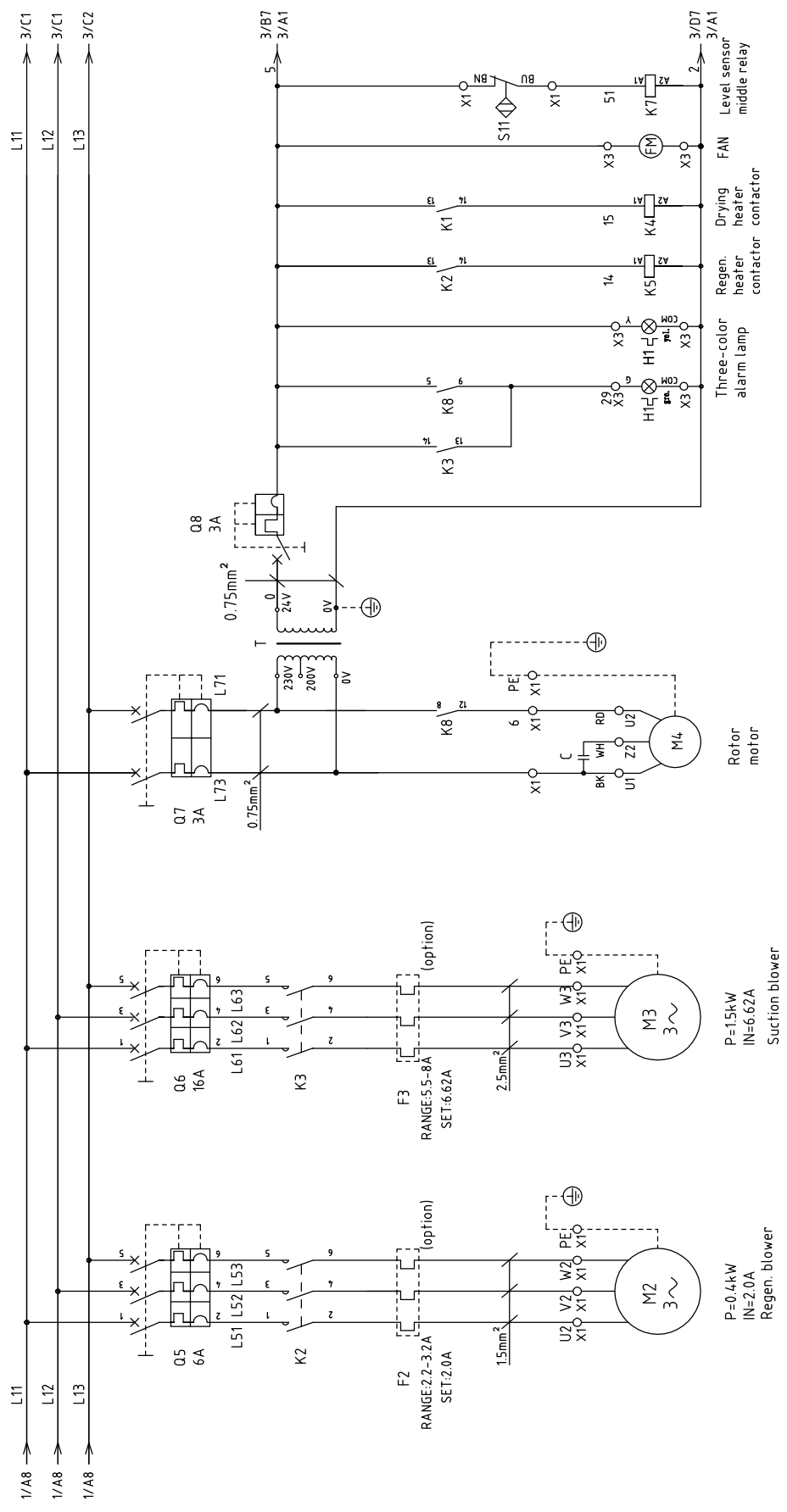
Title		SCD-80U/50H-OP	
Main Circuit Diagram 1			
Version	F	Approved by	
Date	20190930	Checked by	

Drawing NO.		SCD-80U/50H-OP-CE-230V-F-1	
Standard		CE	
Voltage		3 ϕ 230V	
Frequency		50Hz	
Scale	Page 1	Totally	6 Pages



1 2 3 4 5 6 7 8

A B C D

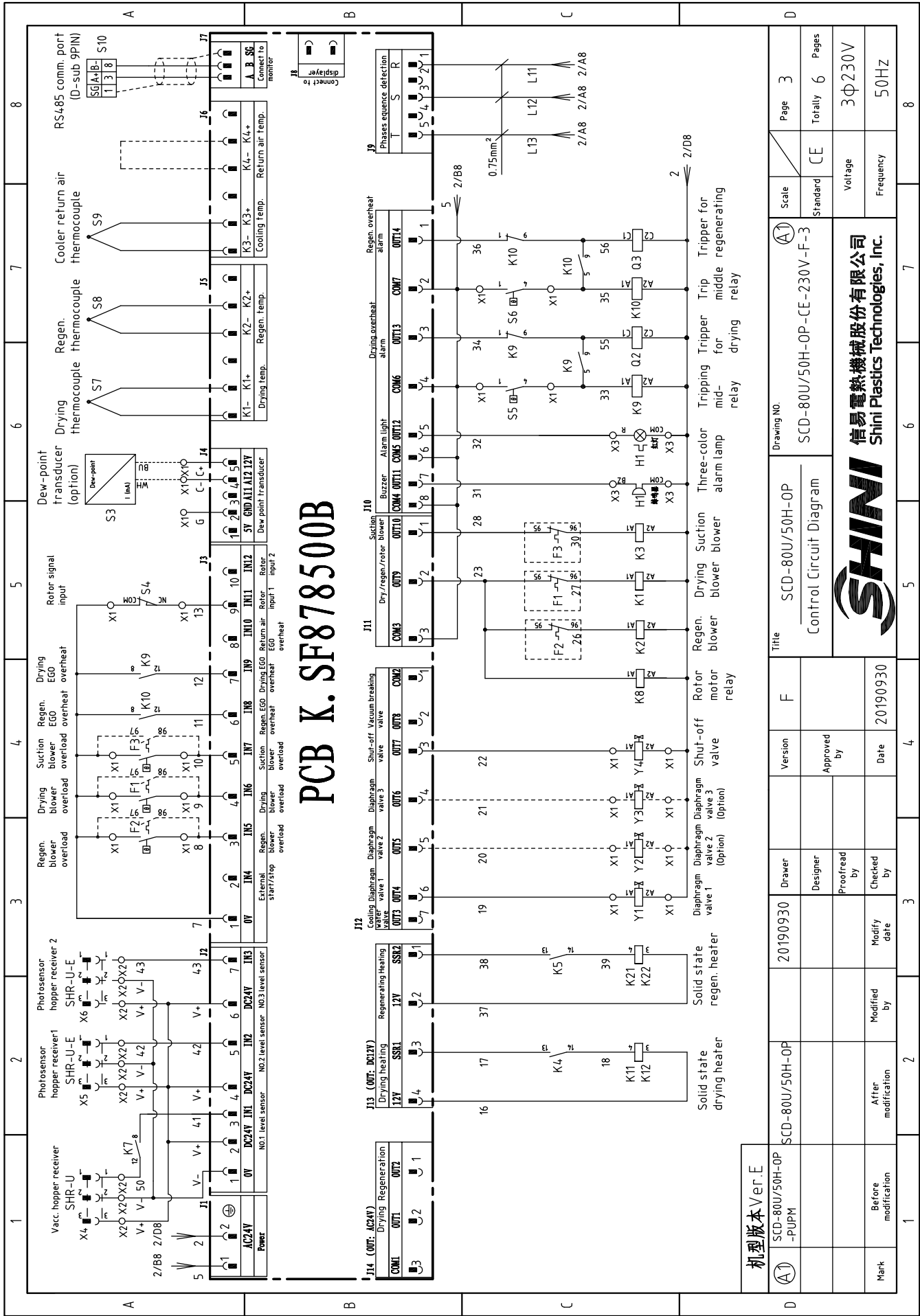


机型版本 Ver.E	
① SCD-80U/50H-OP-PUPM	SCD-80U/50H-OP
Mark	Before modification
	After modification
	Modified by
	Modify date
	Checked by
	Proofread by
	Designer
	Drawer
	Version
	Approved by
	Date
	20190930

Title		SCD-80U/50H-OP	
Main Circuit Diagram 2		SCD-80U/50H-OP-CE-230V-F-2	
Drawing NO.		①	
Scale		Standard	
Standard		CE	
Voltage		3Φ230V	
Frequency		50Hz	
Page		2	
Totally		6	
Pages			



PCB K. SF878500B

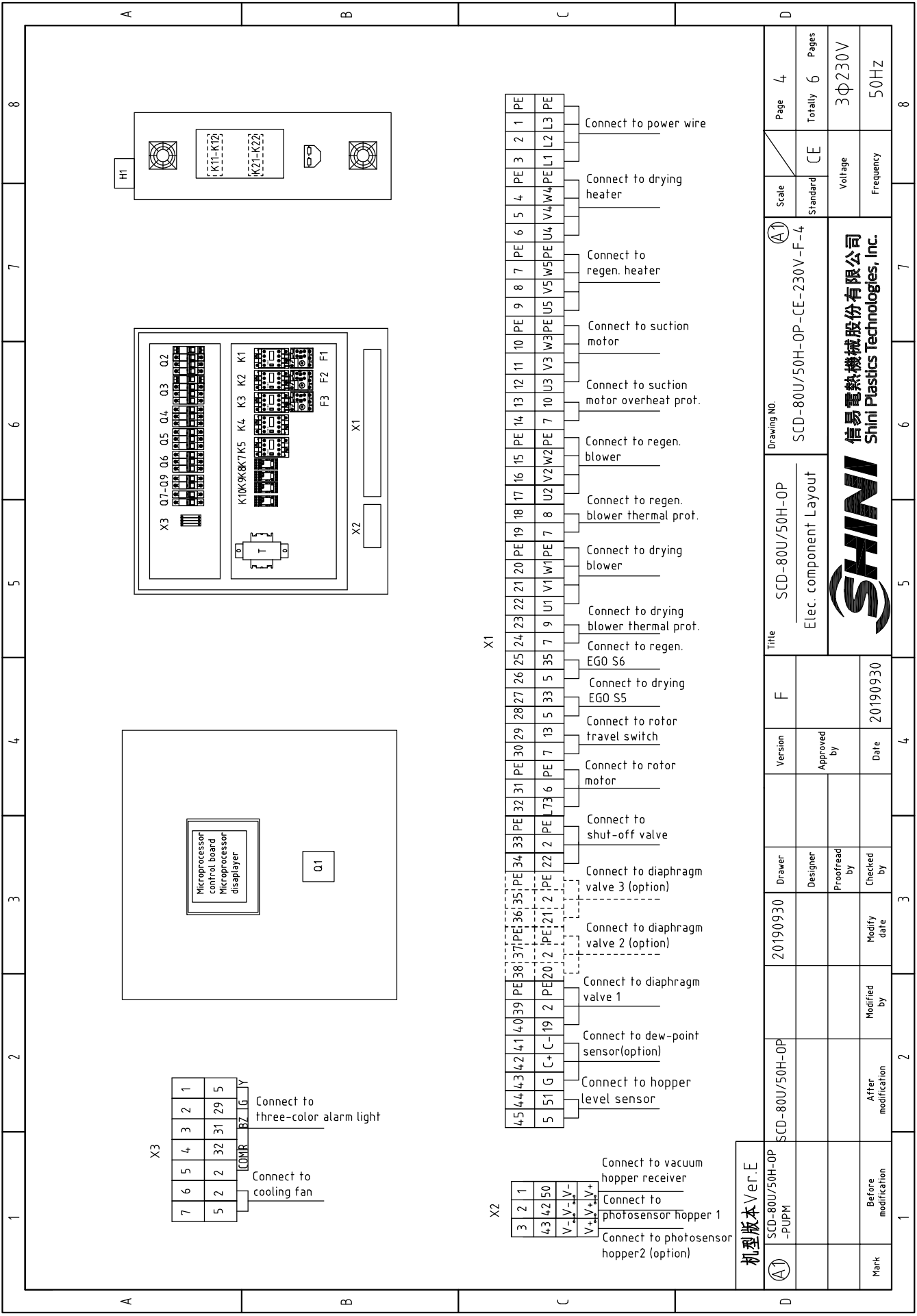


机型版本 Ver.E	SCD-80U/50H-0P-PUPM	20190930	20190930	20190930	20190930	20190930	20190930	20190930	20190930	20190930	20190930
Mark	Before modification	Modified by	Checked by	Proofread by	Designer	Drawer	Version	F	Title	SCD-80U/50H-0P Control Circuit Diagram	Drawing NO.
	After modification	Modify date	Date	Approved by							

Scale	Standard	CE	Page	3
Standard	CE	Totally	Pages	6
Voltage	3Φ230V	Frequency	50HZ	



SCD-80U/50H-0P-CE-230V-F-3



- | | | |
|----|----|---|
| 1 | PE | Connect to power wire |
| 2 | PE | Connect to drying heater |
| 3 | PE | Connect to regen. heater |
| 4 | PE | Connect to suction motor |
| 5 | PE | Connect to suction motor overheat prot. |
| 6 | PE | Connect to regen. blower |
| 7 | PE | Connect to regen. blower thermal prot. |
| 8 | PE | Connect to drying blower |
| 9 | PE | Connect to drying blower thermal prot. |
| 10 | PE | Connect to regen. EGO S6 |
| 11 | PE | Connect to drying EGO S5 |
| 12 | PE | Connect to rotor travel switch |
| 13 | PE | Connect to rotor motor |
| 14 | PE | Connect to shut-off valve |
| 15 | PE | Connect to diaphragm valve 3 (option) |
| 16 | PE | Connect to diaphragm valve 2 (option) |
| 17 | PE | Connect to diaphragm valve 1 |
| 18 | PE | Connect to dew-point sensor(option) |
| 19 | PE | Connect to hopper level sensor |
| 20 | PE | Connect to vacuum hopper receiver |
| 21 | PE | Connect to photosensor hopper 1 |
| 22 | PE | Connect to photosensor hopper2 (option) |

A1	SCD-80U/50H-OP	Scale	Page 4
	Elec. component Layout	Standard CE	Totally 6 Pages
Title SCD-80U/50H-OP		Voltage 3φ230V	
Version F		Frequency 50HZ	
20190930	Designer	SHINI	
20190930	Proofread by	信易電熱機械股份有限公司 Shini Plastics Technologies, Inc.	
20190930	Checked by	SHINI	
20190930	Modified by	SHINI	
20190930	After modification	SHINI	
20190930	Modify date	SHINI	
20190930	Approved by	SHINI	
20190930	Date	SHINI	

机型版本	Ver.E
Mark	SCD-80U/50H-OP-PUPM

1 2 3 4 5 6 7 8

1	2		3	4	5	6	7	8	
No.	Symbol	Name	Manufacturer	Type	Specification	Number	Material number	Remark	
1	Q1	Main power switch	EATON	P2-32-EA/SVB	32A	1	YE10132320000		
2	Q2 Q3 Q6	Circuit-breaker	TECO	BM-63C 3P	16A	3	YE40301603000		
3		Excitation release	YUJIN	MX	24V 50/60Hz	2	YE40024000000	A	
4	Q4 Q5	Circuit breaker	TECO	BM-63C 3P	6A	2	YE40300603000		
5	Q7	Circuit breaker	TECO	BM-63C/2003S 3A 2P	3A	1	YE40200203000		
6	Q8	Circuit breaker	TECO	BM-63C/1003S 3A 1P	3A	1	YE40100203000		
7	K1 K2 K3	Contactor	SIEMENS	3RT6016-1AB01-24VAC	24V 50/60Hz	3	YE00601602500		
8	K4 K5	Contactor	SIEMENS	3RT6018-1AB01-24VAC	24V 50/60Hz	2	YE00601802500		
9	K7 K8 K9 K10	Middle relay	Honeywell	GR-2C-AC24V	Base PGR-2C-E	4	YE03022400300		
10	K11 K12 K21 K22	Solid state relay	FOTEK	KSR-40DA-H	40A/480VAC/4-32VDC	4	YE03404003200		
11	F1 F2	Thermal overload relay	SIEMENS	3RU6116-1DB0	2.2-3.2A	2	YE01160220000	(4)	
12	F3	Thermal overload relay	SIEMENS	3RU6116-1HB0	5.5-8A	1	YE01160550000	(4)	
13	PCB	Microprocessor control board+ Microprocessor display/PCB	PUMP	K.SF878500B	AC24V	1	YE81878500300		
14	T	Sensor transformer	JIUXIN	IN=230V/200V OUT=24V	180VA	1	YE70023005400		
15	S1	Reed switch/Level switch	FOTEK	FC-12V	24VDC	1	----	(1)	
16	S2	Photoelectric switch	FOTEK	T18-3MNB-PE	24VDC	1	----	(1)	
17	S3	Dew-point transducer	SUTO	217-OEM	POWER=24VDC OUT=4-20mA	1	YE90021700100	(1) (2)	
18	S4	Micro switch/Limit switch	TEND	LXW5-11G1	250V 5(4)A	1	----	(1)	
19	S5 S6	Thermal overload relay	EGO	WR-A-50-300-2500-3	250V 5(4)A	2	----	(1)	
20	S7,S8,S9	Thermocouple	SHINI	ST-K	K	3	----	(1)	
21	S10	Comm. interface board RS-485 (double Dsub-9pin connector)	YUYUN	---	485ToDsub_V23	1	YE90048501200		
22		Shell RS485(SAL-700G-A-19)ver.0	BINCHEG	---	---	1	YR40048500000		
23	S11	Level sensor	IFM	KI0020-BB0A	20-250V AC/DC	1	YE15002000000	(1)	
24	Y1 Y4	Solenoid valve/Magnetic valve	AirTAC	4V210-06	AC24V	2	----	(1)	
25	Y2 Y3	Solenoid valve/Magnetic valve	AirTAC	4V210-06	AC24V	2	----	(1)(3)	
机型版本 Ver.E									
Notes:(1)Materials not in the control box; (2) With dew-point transducer;(3)Optional 1-to-2(-M2) model;(4) Optional thermal overload relay;									
SCD-80U/50H-OP				Version		F		Drawing NO.	
SCD-80U/50H-OP				20190930		SCD-80U/50H-OP		Scale	
				Designer		Elec. Parts List 1		Standard	
				Proofread by				CE	
				Checked by		20190930		Voltage	
				Modified by				Frequency	
				Modify date				3Φ230V	
								50HZ	
								Page 5	
								Totally 6	
								Pages	



信易电热机械股份有限公司
Shini Plastics Technologies, Inc.

1	2		3	4	5	6	7	8
NO.	Symbol	Name	Manufacturer	Type	Specification	Number	Material number	Remark
26	H1	Three-color alarm light(red,gre,yel.+ buzzer)	SHINI	Priority	24V 50/60HZ	1	BL90002401520	(1)
27	X1	Terminal board	HONEYWELL	SK6	6mm ²	3	YE60000603200	
28		Terminal board	HONEYWELL	GK6PE	6mm ² PE	1	YE60000603500	
29		Terminal board	HONEYWELL	SK4	4mm ²	21	YE60000403200	
30		Terminal board	HONEYWELL	GK5PE	4mm ² PE	5	YE60000403500	
31		Terminal board	HONEYWELL	SK2.5	2.5mm ²	17	YE60002503200	
32		Terminal board	HONEYWELL	SK2.5	2.5mm ²	4	YE60002503200	(3)
33		Terminal board	HONEYWELL	GK2.5PE	2.5mm ² PE	3	YE60002503400	
34		Terminal board	HONEYWELL	GK2.5PE	2.5mm ² PE	2	YE60002503400	(3)
35	X2	Terminal board	HONEYWELL	3-layer spring terminal SK2.5-TL	10A 250V	3	YE60002503600	
36		Terminal board	HONEYWELL	FBSTB 10-ZDIK RD	10A 250V	3	YE60001000200	
37		Terminal board	HONEYWELL	SK-2.5TL bridgware	10A 250V	3	YE60001003600	
38	X3	Terminal board	HONEYWELL	SK2.5	2.5mm ²	7	YE60002503200	
39	X4,X5	Heavy duty connector	Haring	4P+PE(socket)Han 4A-F	4P	2	YE68000401400	(1)
40	X6	Heavy duty connector	Haring	4P+PE(socket)Han 4A-F	4P	1	YE68000401400	(1)(3)
41	FM	Fan	SUNON	12×12CM/24V/50/60HZ	24VAC 40W	1	---	(1)
42	M1	Blower	SHINI	-----	230V 0.4kW	1	-----	(1)
43	M2	Blower	SHINI	-----	230V 0.4kW	1	-----	(1)
44	M3	Blower	SHINI	-----	230V 1.5kW	1	-----	(1)
45	M4	Motor	----	-----	230V 0.015kW	1	-----	(1)
46	EH1	Pipe heater	SHINI	-----	230V 4kW	1	-----	(1)
47	EH2	Pipe heater	SHINI	-----	230V 3kW	1	-----	(1)
48		Terminal fittings E/GK series	HONEYWELL	---	E-GK	5	YE60000003900	
<p>机型版本 Ver.E Notes:(1)Materials not in the control box; (2) With dew-point transducer;(3)Optional 1-to-2(-M2) model;(4) Optional thermal overload relay;</p>								
<p>① SCD-80U/50H-OP -PUMP</p>		<p>20190930</p>		<p>20190930</p>		<p>SCD-80U/50H-OP</p>		<p>Scale</p>
<p>Mark</p>		<p>Before modification</p>		<p>After modification</p>		<p>Checked by</p>		<p>Standard</p>
<p>1</p>		<p>2</p>		<p>3</p>		<p>4</p>		<p>CE</p>
<p>1</p>		<p>2</p>		<p>3</p>		<p>4</p>		<p>Page 6</p>
<p>1</p>		<p>2</p>		<p>3</p>		<p>4</p>		<p>Totally 6 Pages</p>
<p>1</p>		<p>2</p>		<p>3</p>		<p>4</p>		<p>3Φ230V</p>
<p>1</p>		<p>2</p>		<p>3</p>		<p>4</p>		<p>50Hz</p>



信易电热机械股份有限公司
Shini Plastics Technologies, Inc.

Drawing NO.

SCD-80U/50H-OP

Version

F

Designer

Proofread by

Checked by

Modify date

20190930

20190930

20190930

20190930

20190930

20190930

20190930

20190930

20190930

20190930

Standard

CE

Scale

①

SCD-80U/50H-OP-CE-230V-F-6

Page 6

Totally 6 Pages

3Φ230V

50Hz

Voltage

Frequency

CE

Scale

①

SCD-80U/50H-OP-CE-230V-F-6

Page 6

Totally 6 Pages

3Φ230V

50Hz

Voltage

Frequency

CE

Scale

①

SCD-80U/50H-OP-CE-230V-F-6

Page 6

Totally 6 Pages

3Φ230V

50Hz

Voltage

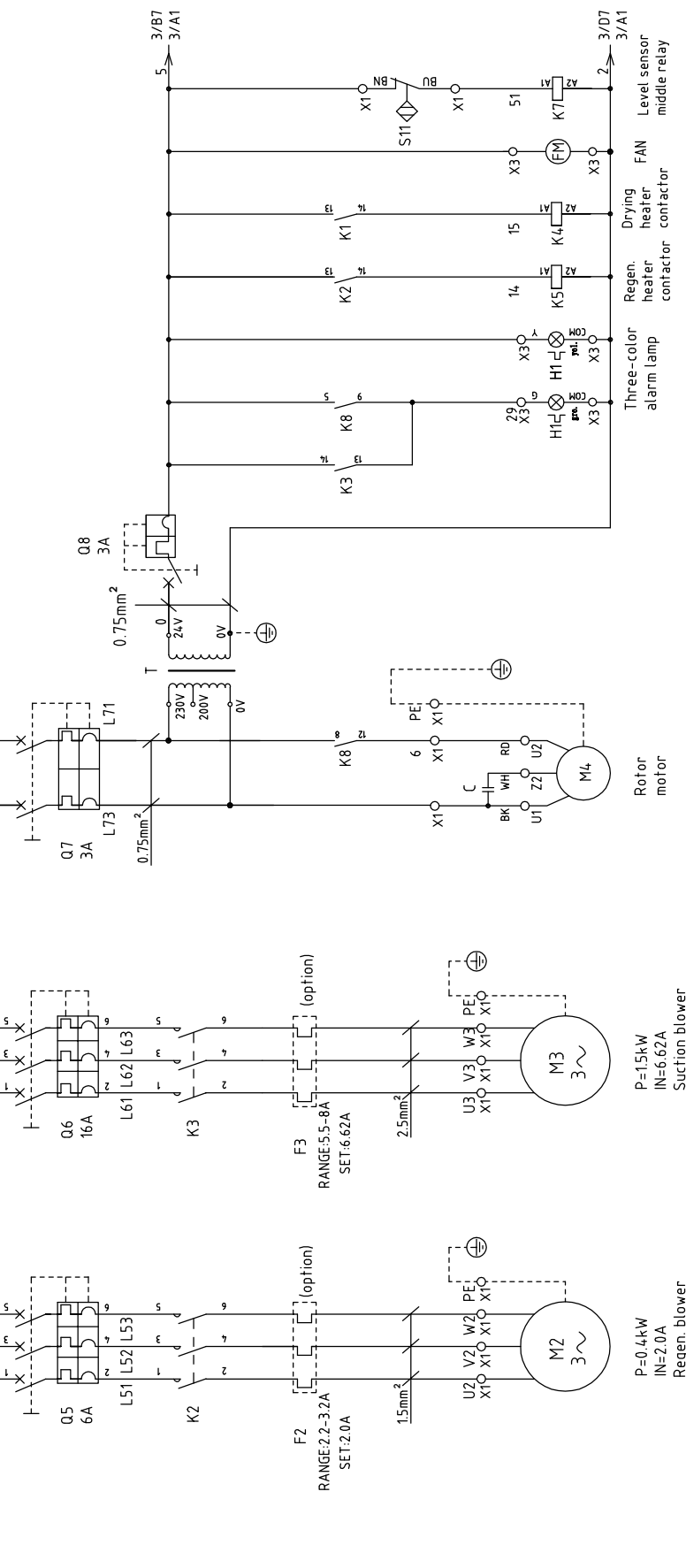
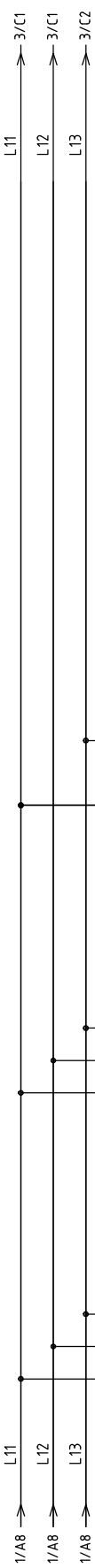
Frequency

CE

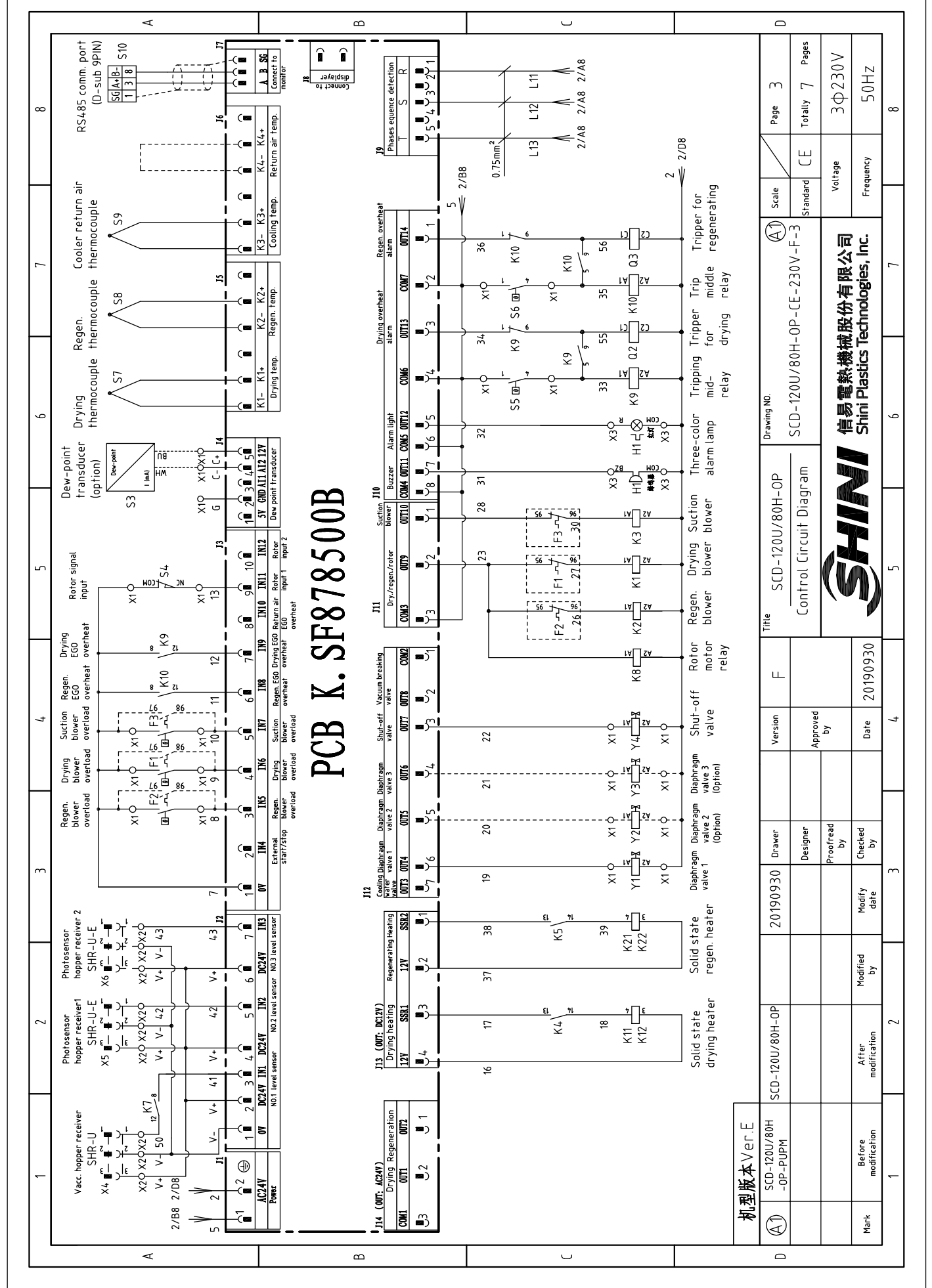
Scale

①

SCD-80U/50H-OP-CE-230V-F-6




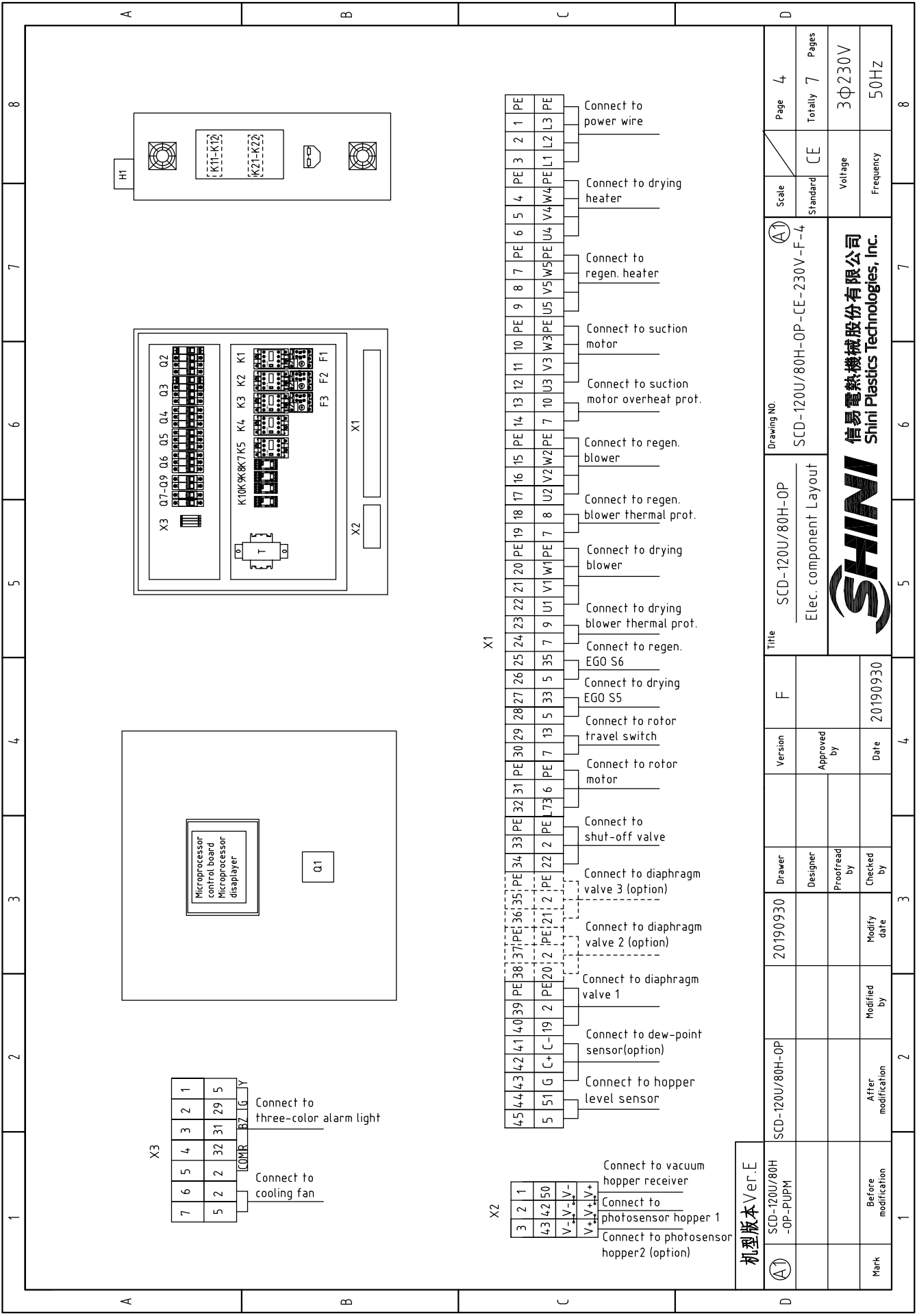
机型版本 Ver.E		Title		Scale		Page	
①	SCD-120U/80H-OP-PUMP	20190930	Designer	①	Standard	CE	2
	SCD-120U/80H-OP		Proofread by	SCD-120U/80H-OP-CE-230V-F-2		Totally	7
			Checked by	Main Circuit Diagram 2		Pages	
Mark	Before modification	Modified by	Date	SHINI 信易电热机械股份有限公司 Shini Plastics Technologies, Inc.		Voltage	3Φ230V
			20190930			Frequency	50Hz



PCB K. SF878500B

机内版本 Ver.E

A	SCD-120U/80H-OP-PUPM	20190930	Designer	Version	F	Control Circuit Diagram	Scale	Standard	CE	Page	3
	SCD-120U/80H-OP	20190930	Proofread by	Approved by	F	SCD-120U/80H-OP	(A)	Standard	CE	Totally	7
Mark	Before modification	Modified by	Checked by	Date	20190930	 信易電熱機械股份有限公司 Shini Plastics Technologies, Inc.		Voltage	3Φ230V		
	After modification	Modify date	Checked by	Date	20190930			Frequency	50HZ		



机 型 版 本 Ver.E	SCD-120U/80H-OP-PUPM		SCD-120U/80H-OP		SCD-120U/80H-OP		Elec. component Layout		SCD-120U/80H-OP-CE-230V-F-4		Standard CE		Page 4		
			20190930		20190930		F		Title		Scale		Totally 7 Pages		
Mark	Before modification	After modification	Modified by	Modify date	Checked by	Proofread by	Designer	Drawer	Version	Approved by	Date	Voltage 3Φ230V		Frequency 50HZ	



1	2		3	4	5	6	7	8
NO.	Symbol	Name	Manufacturer	Type	Specification	Number	Material number	Remark
1	Q1	Main power switch	EATON	P2-63-EA/SVB	63A	1	YE10163630000	
2	Q2	Circuit-breaker	TECO	BM-63C 3P	20A	1	YE40302003000	
3	Q3 Q6	Circuit-breaker	TECO	BM-63C 3P	16A	2	YE40301603000	A
4		Excitation release	YUJIN	MX	24V 50/60Hz	2	YE40024000000	
5	Q4	Circuit breaker	TECO	BM-63C 3P	10A	1	YE40301003000	
6	Q5	Circuit breaker	TECO	BM-63C 3P	6A	1	YE40300603000	
7	Q7	Circuit breaker	TECO	BM-63C/2003S 3A 2P	3A	1	YE40200203000	
8	Q8	Circuit breaker	TECO	BM-63C/1003S 3A 1P	3A	1	YE40100203000	
9	K1 K2 K3	Contactor	SIEMENS	3RT6016-1AB01-24VAC	24V 50/60Hz	3	YE00601602500	
10	K4	Contactor	SIEMENS	3RT6026-1AC20-24VAC	24V 50/60Hz	1	YE00602602600	
11	K5	Contactor	SIEMENS	3RT6018-1AB01-24VAC	24V 50/60Hz	1	YE00601802500	B
12	K7 K8 K9 K10	Middle relay	Honeywell	GR-2C-AC24V	Base PGR-2C-E	4	YE03022400300	
13	K11 K12 K21 K22	Solid state relay	FOTEK	KSR-40DA-H	40A/480VAC/4-32VDC	4	YE03404003200	
14	F1	Thermal overload relay	SIEMENS	3RU1116-1EB0	2.8-4A	1	YE01280400100	(4)
15	F2	Thermal overload relay	SIEMENS	3RU6116-1DB0	2.2-3.2A	1	YE01160220000	(4)
16	F3	Thermal overload relay	SIEMENS	3RU6116-1HB0	5.5-8A	1	YE01160550000	(4)
17	PCB	Microprocessor control board+ Microprocessor display/PCB	PUMP	K.SF878500B	AC24V	1	YE81878500300	
18	T	Sensor transformer	JIUXIN	IN=230V/200V OUT=24V	180VA	1	YE70023005400	
19	S1	Reed switch/Level switch	FOTEK	FC-12V	24VDC	1	----	(1)
20	S2	Photoelectric switch	FOTEK	T18-3MNB-PE	24VDC	1	----	(1)
21	S3	Dew-point transducer	SUTO	217-OEM	POWER=24VDC OUT=4-20mA	1	YE90021700100	(1) (2)
22	S4	Micro switch	TEND	LXW5-11G1	250V 5(4)A	1	----	(1)
23	S5 S6	Thermal overheat protector	EGO	WR-A-50-300-2500-3	250V 5(4)A	2	----	(1)
24	S7,S8,S9	Thermocouple	SHINI	ST-K	K	3	----	(1)
25	S10	Comm. interface board RS-485 (double Dsub-9pin connector)	YUYUN	---	485ToDsub__V23	1	YE90048501200	
机型版本 Ver.E								
Notes: (1)Materials not in the control box; (2) With dew-point transducer;(3)Optional 1-to-2(-M2) model;(4) Optional thermal overload relay;								
SCD-120U/80H -OP-PUPM		20190930		Version		F		Drawing NO.
SCD-120U/80H-OP		Designer		Approved by		SCD-120U/80H-OP		Scale
		Proofread by				Elec. Parts List 1		Standard
Mark		Modified by		Date		CE		Voltage
Before modification		20190930		20190930		Totally		Frequency
After modification						7		3Φ230V
						5		50HZ
						6		
						7		
						8		



信易电热机械股份有限公司
Shini Plastics Technologies, Inc.

1	2		3	4	5	6	7	8
No.	Symbol	Name	Manufacturer	Type	Specification	Number	Material number	Remark
26	S11	Shell RS485(SAL-700G-A-19)ver.0	BINCHENG	---	---	1	YR40048500000	
27	Y1 Y4	Level sensor	IFM	KI0020-BB0A	20-250V AC/DC	1	YE15002000000	(1)
28	Y2 Y3	Solenoid valve/Magnetic valve	AirTAC	4V210-06	AC24V	2	----	(1)
29	X1	Solenoid valve/Magnetic valve	AirTAC	4V210-06	AC24V	2	----	(1)(3)
30	X1	Terminal board	HONEYWELL	SK10	10mm ²	3	YE60001003200	
31	X1	Terminal board	HONEYWELL	GK10PE	10mm ² PE	1	YE60001003500	
32	X1	Terminal board	HONEYWELL	SK4	4mm ²	21	YE60000403200	
33	X1	Terminal board	HONEYWELL	GK5PE	4mm ² PE	5	YE60000403500	
34	X1	Terminal board	HONEYWELL	SK2.5	2.5mm ²	17	YE60002503200	
35	X1	Terminal board	HONEYWELL	SK2.5	2.5mm ²	4	YE60002503200	(3)
36	X1	Terminal board	HONEYWELL	GK2.5PE	2.5mm ² PE	3	YE60002503400	
37	X1	Terminal board	HONEYWELL	GK2.5PE	2.5mm ² PE	2	YE60002503400	(3)
38	X2	Terminal board	HONEYWELL	3-layer spring terminal SK2.5-TL	10A 250V	3	YE60002503600	
39	X2	Terminal board	HONEYWELL	FBSTB 10-ZDIK RD	10A 250V	3	YE60001000200	
40	X2	Terminal board	HONEYWELL	SK-2.5TL bridgware	10A 250V	3	YE60001003600	
41	X3	Terminal board	HONEYWELL	SK2.5	2.5mm ²	7	YE60002503200	
42	X4, X5	Heavy duty connector	Harling	4P+PE(socket)Han 4A-F	4P	2	YE68000401400	(1)
43	X6	Heavy duty connector	Harling	4P+PE(socket)Han 4A-F	4P	1	YE68000401400	(1)(3)
44	F1	Fan	SUNON	12x12CM/24V/50/60HZ	24VAC 40W	1	---	(1)
45	M1	Blower	SHINI	-----	230V 0.75kW	1	-----	(1)
46	M2	Blower	SHINI	-----	230V 0.4kW	1	-----	(1)
47	M3	Blower	SHINI	-----	230V 1.5kW	1	-----	(1)
48	M4	Motor	----	-----	230V 0.015kW	1	-----	(1)
49	EH1	Pipe heater	SHINI	-----	230V 6kW	1	-----	(1)
50	EH2	Pipe heater	SHINI	-----	230V 3kW	1	-----	(1)

机型版本 Ver.E Notes:(1)Materials not in the control box; (2) With dew-point transducer;(3)Optional 1-to-2I-M2) model;(4) Optional thermal overload relay;

SCD-120U/80H-OP-PUPM		20190930		Designer		Version		F		Title		SCD-120U/80H-OP		Scale		Page 6	
SCD-120U/80H-OP		20190930		Proofread by		Approved by		Elec. Parts List 2		Drawing NO.		SCD-120U/80H-OP-CE-230V-F-6		Standard		Totally 7 Pages	
Before modification		Modified by		Checked by		Date		20190930		SHINI		Voltage		Frequency		3Φ230V	
After modification		Modify date		Checked by		Date		20190930		SHINI		Frequency		Voltage		50HZ	



1	2		3	4	5	6	7	8
NO.	Symbol	Name	Manufacturer	Type	Specification	Number	Material number	Remark
51		Terminal fittings E/GK series	HONEYWELL	---	E-GK	5	YE60000003900	
A								
B								
C								
D								
机型版本 Ver.E								
Notes:(1)Materials not in the control box; (2) With dew-point transducer;(3)Optional 1-to-2(L-M2) model;(4) Optional thermal overload relay;								
(A)	SCD-120U/80H-OP-PUPM	SCD-120U/80H-OP	20190930	Version F	Title SCD-120U/80H-OP Elec. Parts List 3	Drawing NO. SCD-120U/80H-OP-CE-230V-F-7		Scale Standard CE
Mark	Before modification	After modification	Modified by	Approved by	Date 20190930		Voltage 3Φ230V	Frequency 50HZ
							Page 7	Totally 7 Pages
1	2		3	4	5	6	7	8



信易電熱機械股份有限公司
Shini Plastics Technologies, Inc.