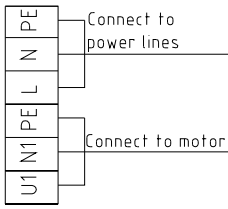
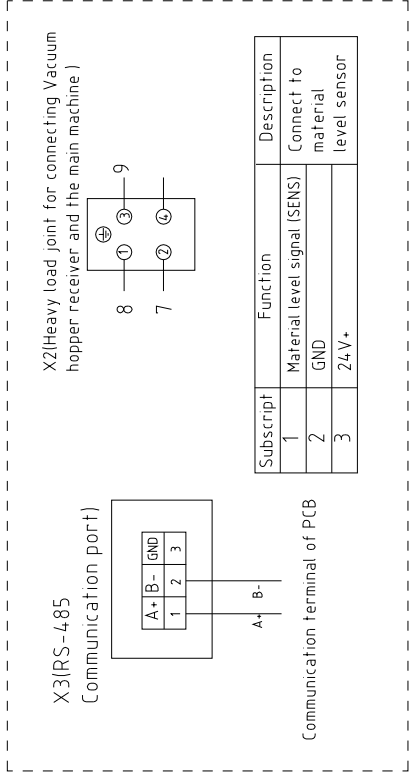
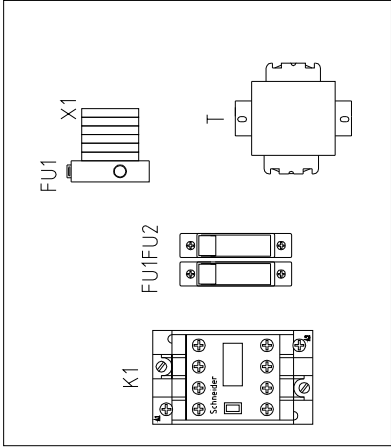
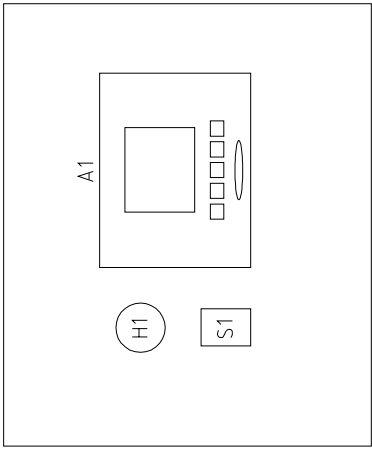


版本	Ver E	Drawer	Designer	Proofread by	Checked by	Modified by	After modification	Mark	Before modification	Modify date	Date	20180827	Version	B	Title	SAL-700G Main Circuit Diagram	Drawing No	SAL-700G-GB-230V-C-1	Scale	Standard	GB	Page 1	Totally 3	Pages
	1																							



A B C D



Subscript	Function	Description
1	Material level signal (SENS)	Connect to material level sensor
2	GND	
3	24V+	

版本 Ver E

D	Title	SAL-700G		Drawing NO	SAL-700G-GB-230V-C-2		Scale	Page
		Electrical Components Layout			Standard	GB	Totally	3
Mark	Before modification	After modification	Modified by	Modify date	Checked by	Date	Voltage	1/230V
							Frequency	50/60HZ
1	2	3	4	5	6	7	8	8



1	2		3	4	5	6	7	8
NO.	Symbol	Name	Manufacturer	Type	Specification	Number	Material number	Remark
A	1	FU1FU2	MRO	RT14-20	1P	2	YE41142000000	
	2	Fuse core	MRO	10x38 500V	10A	2	YE46010000100	
	3	FU3	YINDA	FS-10	250V 2A	1	YE41001000000	
B	4	K1	SCHNEIDER	LC1-D09B7C	24V 50/60Hz	1	YE00972400000	
	5	T	JIUXIN	IN=230V/200V OUT=24V	80VA	1	YE70023005200	
	6	H1	SHINI	PK-35A	24VAC/DC	1	YE84003500600	
	7	A1	YUYUN	CS-22 (含通讯)	24VAC/DC	1	YE80222400600	
	8		Control box SSMD ABS+PC(30%)	SHINI	---	1	YR40400200000	
	9		Pressing plate of display screen(88x53x10)0	SHINI	---	1	YR90000003300	
	10		Lampshade(SIC-015)	SHINI	---	1	YR90441300000	
	11		Panel SAL-G 2018 >65N	SHINI	---	1	YP30201800100	
C	12	S1	REAB	R210-C5LBW	4P	1	YE10210400000	
	13	X1	HONEYWLL	SK2.5	2.5mm ²	4	YE60002503200	
	14		Terminal board	GK2.5PE	2.5mm ² PE	2	YE60002503400	
	15		Terminal fittings E/GKseries	HONEYWLL	PCS	4	YE60000003900	
	16	X2	Heavy duty connector	HARTING	Han E-4F(母)	1	YE680000401400	(1)
	17	X3	RS-485Communication interface board	YUYUN	RS-485	1	YE90048501200	(1)
	18		Shell RS485(SAL-700G-A-1910)	SHINI	---	1	YR40048500000	(1)
	19	M	Blower	AMETEK	12KW	240V 50/60HZ	1	----

D	版本	Ver.E	Notes: (1)Means it's not the material inside the control box.														
	Mark	Before modification	Modified by	Modify date	Checked by	Date	Approved by	Version	B	Title	SAL-700G Electrical Components List	Drawing NO	SAL-700G-GB-230V-C-3	Scale	Standard	GB	Page
													Voltage		1/230V		
													Frequency		50/60HZ		
													Totally		3		
													Pages		3		



信易电热机械股份有限公司
Shini Plastics Technologies, Inc.