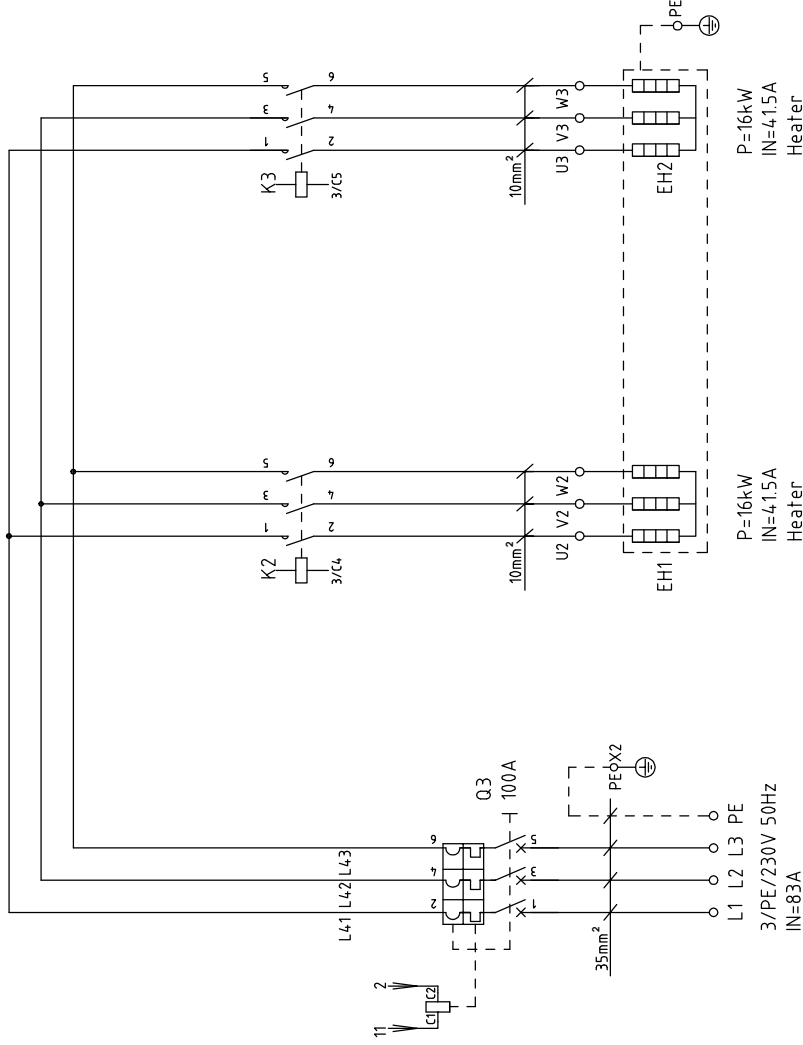


版本 Ver.C

Title		Drawing NO.		Scale	Page
SHD-1500U/2000U Main Circuit Diagram 1		SHD-1500U/2000U-CE-230V-F-1		Standard	Totally 6
Version		Standard		Voltage	
F		CE		230V	
Designer		Voltage		Frequency	
Proofofread by		Frequency		50Hz	
Checked by		Date		20170721	
Modified by		Date		20170721	
Before modification		Date		20170721	
Mark		Date		20170721	



1 2 3 4 5 6 7 8

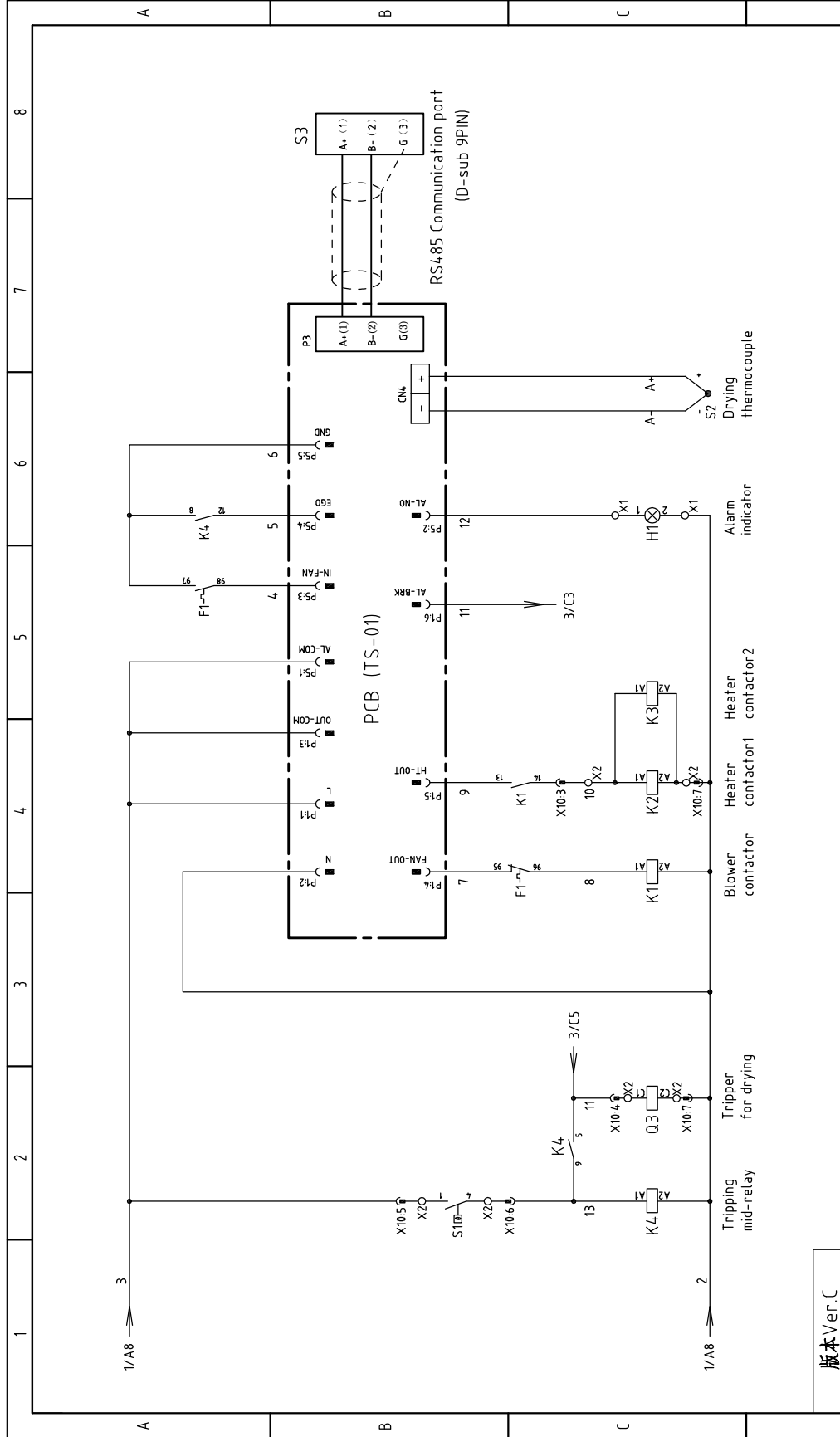


版本 Ver.C

Mark		Before modification	After modification	Modify Date	Checked by	Proofofread by	Designer	Drawer	Version	F	Title	Drawing NO.	Scale	Page
											SHD-1500U/2000U Main Circuit Diagram 2	SHD-1500U/2000U-CE-230V-F-2	Standard	2
Date		20170721											CE	Totally 6
Date														Pages
														230V
														50Hz


 信易电热机械股份有限公司  
 Shini Plastics Technologies, Inc.

1 2 3 4 5 6 7 8



版本Ver.C

Drawing NO.		SHD-1500U/2000U		Page 3	
Title		SHD-1500U/2000U-CE-230V-F-3		Scale	
Control Circuit Diagram		CE		Standard	
Version		F		Voltage	
Designer		Approved by		Frequency	
Proofread by		Date		230V	
Checked by		20170721		50Hz	
Before modification		After modification		Totally 6	
Mark		Modify date		Pages	
1		2		3	
3		4		6	
5		7		8	






1	2		3	4	5	6	7	8
NO.	Symbol	Name	Manufacturer	Type	Specification	Number	Material number	Remark
1	Q1	Main power switch	EATON	P1-25/EA/SVB	25A 3P 690V 50/60Hz	1	YE10125250000	
2	Q2	Circuit-breaker	TECO	BM-63C/302SS	25A 3P 230V 50/60Hz	1	YE40302503000	
3	Q3	Circuit-breaker	ABB	A1A125TMF100/10003PFF	100A 3P 230V 50/60Hz	1	YE41102000000	A
4		Excitation release	ABB	SOR-C	24VAC	1	YE40243000900	
5	K1	Contactor	SIEMENS	3RT6018-1AB01	16A 3P 1NO 24V AC	1	YE00601802500	
6	K2 K3	Contactor	SIEMENS	3RT5036-1AC20	50A 3P 24V AC	2	YE00503602600	
7	K4	Middle relay	HONEYWELL	GR-2C-AC24V配産 PGR-2C-E	24V 50/60Hz	1	YE03022400300	
8	F1	Overload relay	SIEMENS	3RU1116-1KB0	9-12A	1	YE01091200000	
9	FU1	Fuse base	CHINT	RT28-32	2P/32A/500V/10x38	1	YE410322200000	
10		Fuse core	CHINT	10x38 500V/gG型	2A	2	YE46002000100	
11	FU2	Fuse	YINDA	FS-10	8A 6x30	1	YE410010000000/YE46863000200	B
12	T	Transformer	BAIYUN	--	IN=230V OUT=24V 180VA	1	YE70023005600	
13	PCB	PCB	YUYUN	TS-012xVAC(Include communication)	24V 50/60Hz	1	YE80012400400	
14		Control box SSM(D)SHD-40U-C-02)ABS+PC(30%)				1	YR40400200000	
15		Lampshade(SIC-015)/Dust-proof washer of lampshade 44.8MMx13.6MMx1MM				1	YR904413000000/YR90044800000	
16		Panel for SHD-80U-A-41 105.5x84.5MM Version sickness > 65N/Pressing plate of display screen for SHD-80U-A-43(88x53x0.3x10) 0版				1	YR018041000000/YR90000000300	
17	S1	Temperature protector	EGO	WR-A-50-300-1000-3	250V 16A	1	----	(1)
18	S2	Thermocouple	SHINI	K TYPE	--	1	----	(1)
19	H1	Alarm indicator	SHINI	LED-305紅白色	24V AC	1	YE83305100900	C
20	X1	Terminal		32A	4.0mm <sup>2</sup>	6	YE60000403200	
21					4.0mm <sup>2</sup> PE	2	YE60000403500	
22					2.5mm <sup>2</sup>	2	YE61250040000	
23	X2	Terminal		32A	2.5mm <sup>2</sup>	8	YE61250040000	
24					2.5mm <sup>2</sup> PE	1	YE61253500000	
25	X2	Terminal		--	35mm <sup>2</sup> PE	1	YE61353500000	


**版本 Ver.C** Notes: (1)Means it's not the material inside the control box.

Title		Drawing NO.	
SHD-1500U/2000U		SHD-1500U/2000U-CE-230V-F-5	
Electrical Components List 1		CE	
Scale		Page 5	
Standard		Totally 6 Pages	
Voltage		230V	
Frequency		50Hz	



**信易電熱機械股份有限公司**  
Shini Plastics Technologies, Inc.

1	2	3	4	5	6	7	8
---	---	---	---	---	---	---	---

1	2		3	4	5	6	7	8
NO.	Symbol	Name	Manufacturer	Type	Specification	Number	Material number	Remark
26	X10	Heavy duty connector	SIBAS	HE-010-1016A male+female	10P	1	YE60101640000	(1)
27	M1	Blower	--	--	3kW	1	----	(1)
28	EH1	Heater	SHINI	--	32kW	1	----	(1)
29	S3	Communication interface board RS-485 (double Dsub-9pin connector)	--	--	--	1	YE90048501200	
30		Shell RS485(SAL-700G-A-19)0	--	--	--	1	YR40048500000	
A								
B								
C								
D								
<b>版本 Ver.C</b> Notes: (1)Means it's not the material inside the control box.								
			Drawer	Version	Title		Scale	
			Designer	F	SHD-1500U/2000U		Standard	Page 6
			Proofread by	Approved by	Electrical Components List 2		CE	Totally 6 Pages
			Checked by	Date	SHD-1500U/2000U-CE-230V-F-6		Voltage	230V
			Modified by	20170721	 <b>信易电热机械股份有限公司</b> <b>Shini Plastics Technologies, Inc.</b>		Frequency	50HZ
1	2	3	4	5	6	7	8	