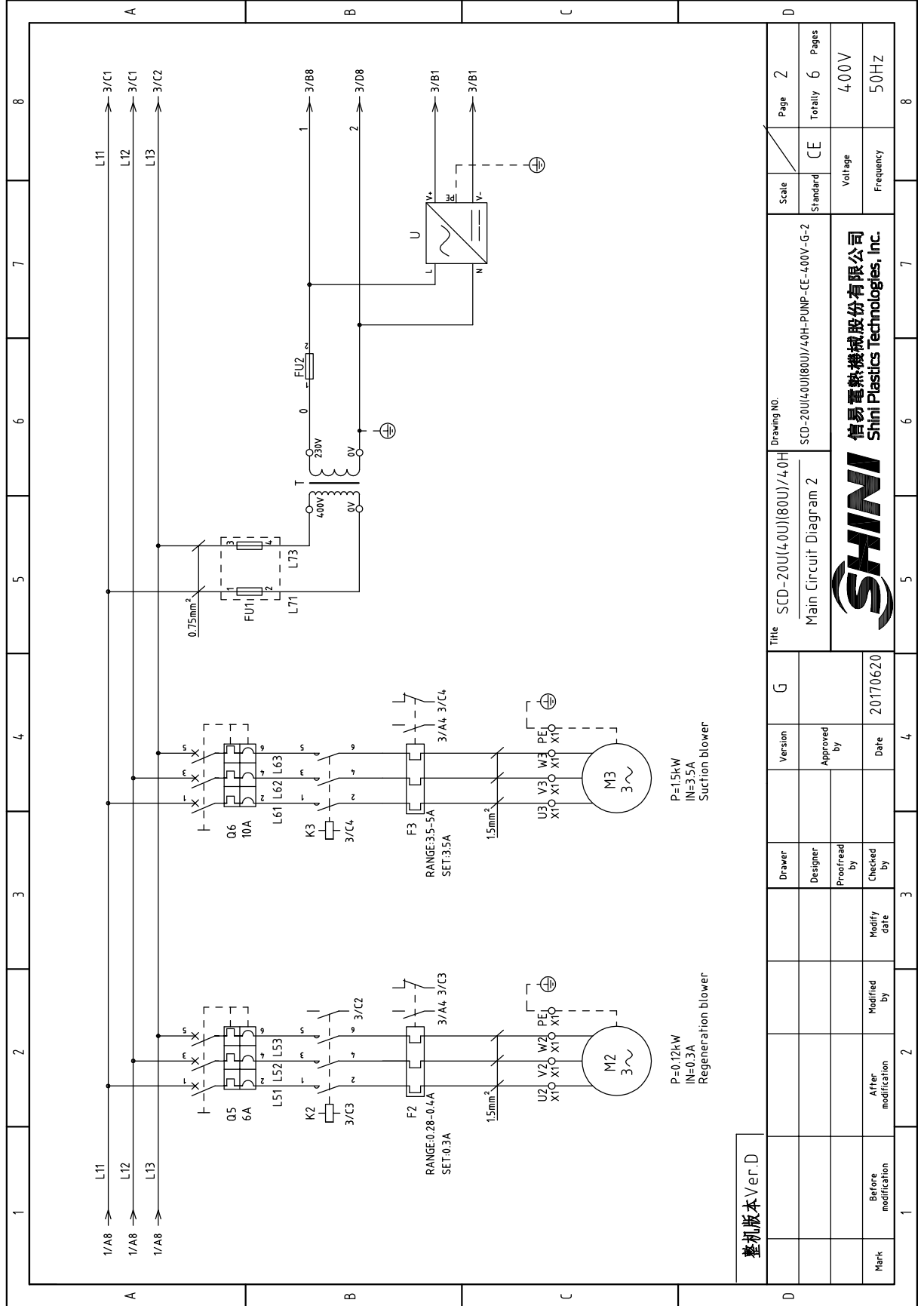


整机版本 Ver.D

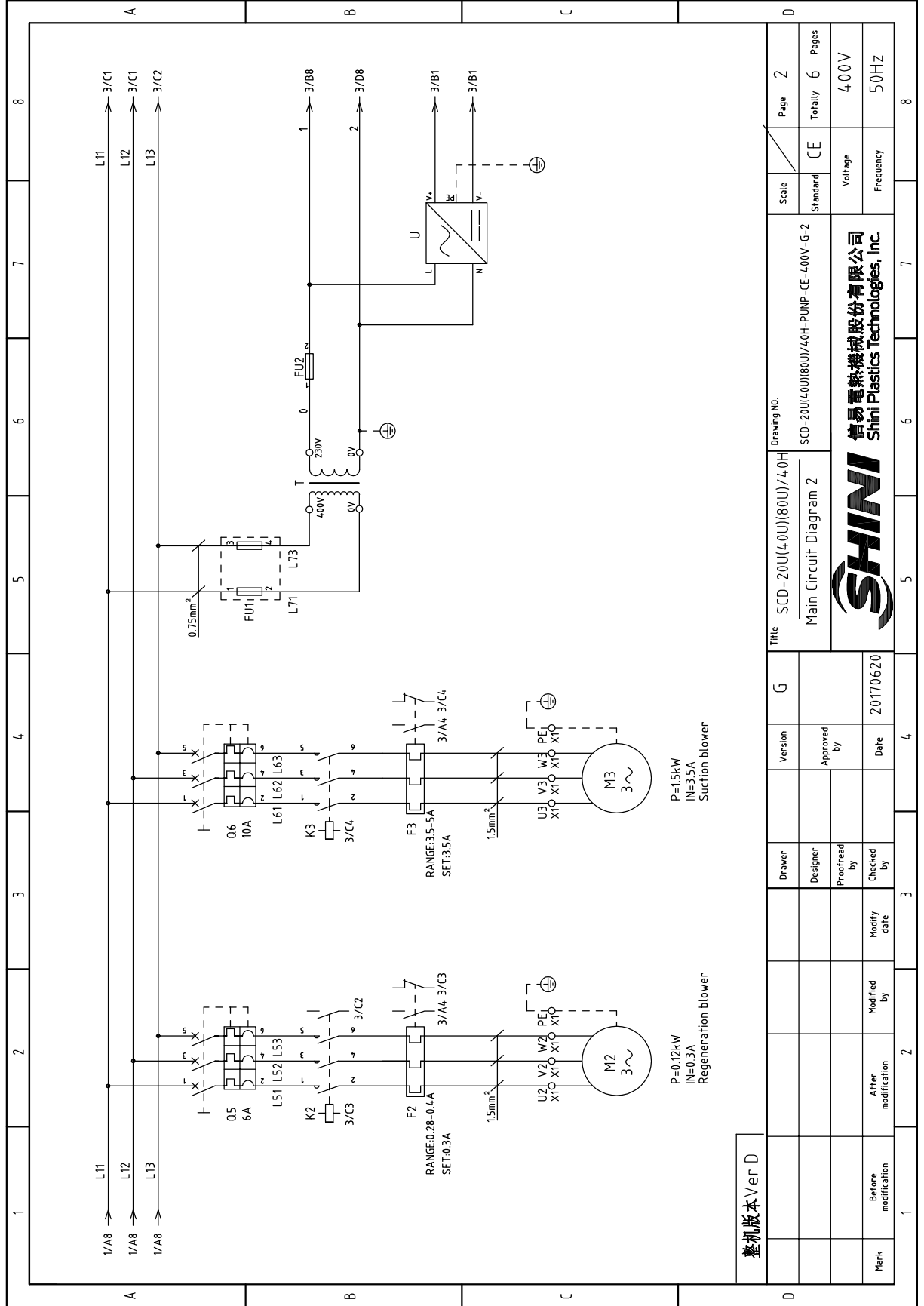
Mark	Before modification	After modification	Modify date	Checked by	Date	20170620	G	Version	Approved by	Title		Scale	Page 1
										SCD-20U(4.0U)(80U)/4.0H			
Main Circuit Diagram 1										CE	Pages	400V	50Hz
SHINI 信易电热机械股份有限公司 Shini Plastics Technologies, Inc.										Frequency	50Hz		



整机版本 Ver.D

Mark	Before modification	Modified by	20170620	Date	Version	G	Title	Drawing NO.	Scale	Page	2
	After modification	Modify Date	20170620							Totally	6
Before modification	Modified by	20170620	Date	Version	G	Title	Drawing NO.	Scale	Voltage	400V	
After modification	Modify Date	20170620	Date	Version	G	Title	Drawing NO.	Standard	Frequency	50HZ	
Before modification	Modified by	20170620	Date	Version	G	Title	Drawing NO.	Standard	Frequency	50HZ	
After modification	Modify Date	20170620	Date	Version	G	Title	Drawing NO.	Standard	Frequency	50HZ	



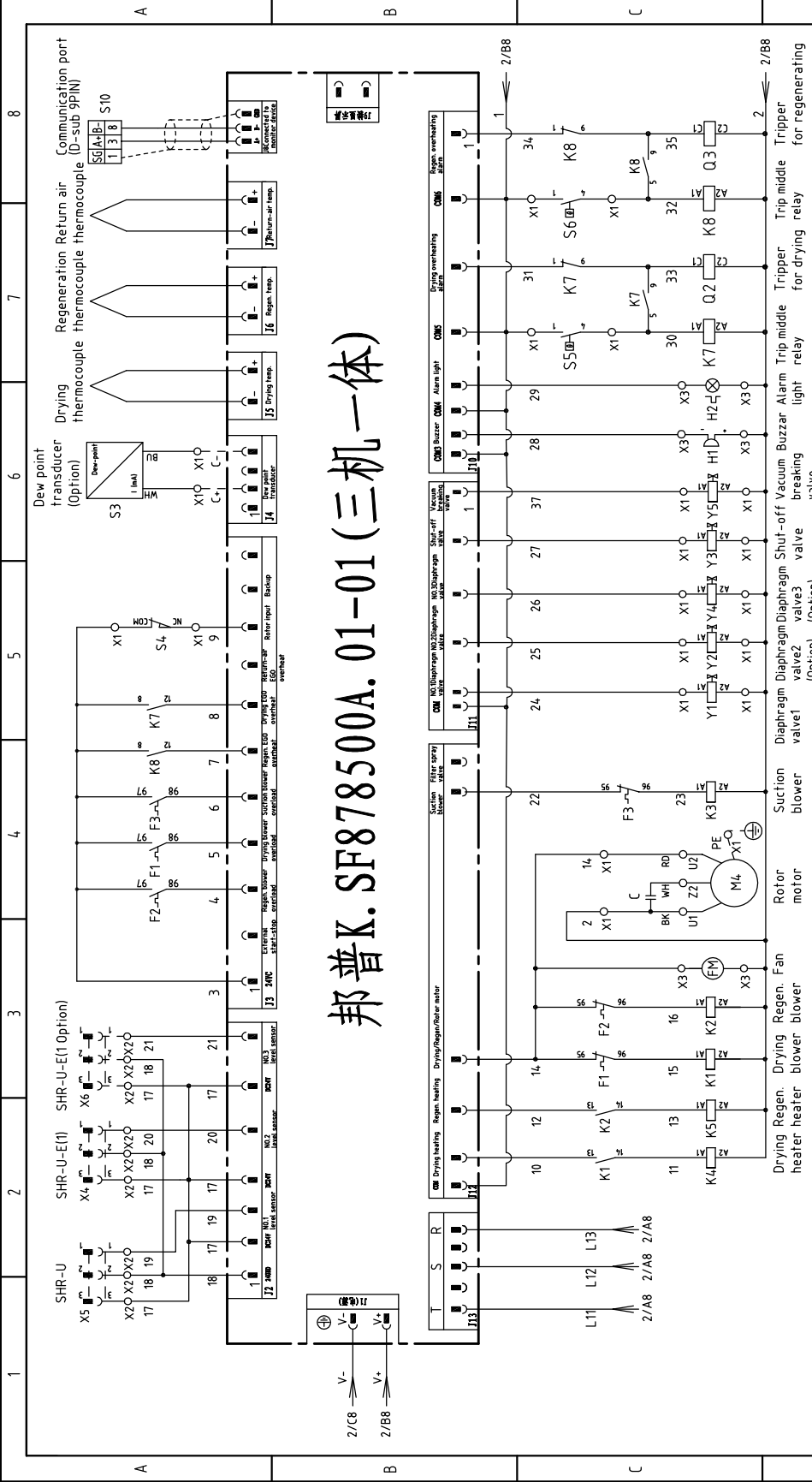


整机版本 Ver.D

Mark	Before modification	Modified by	Date	20170620	Version	G	Title	Drawing NO.		Page	2
	After modification	Modified by						Approved by	Standard		
							SCD-20U(40U)(80U)/40H	SCD-20U(40U)(80U)/40H-PUNP-CE-400V-G-2	Standard	Voltage	400V
							Main Circuit Diagram 2		Frequency	50HZ	



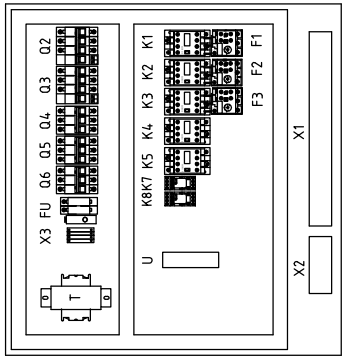
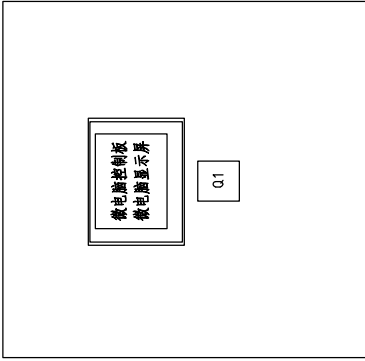
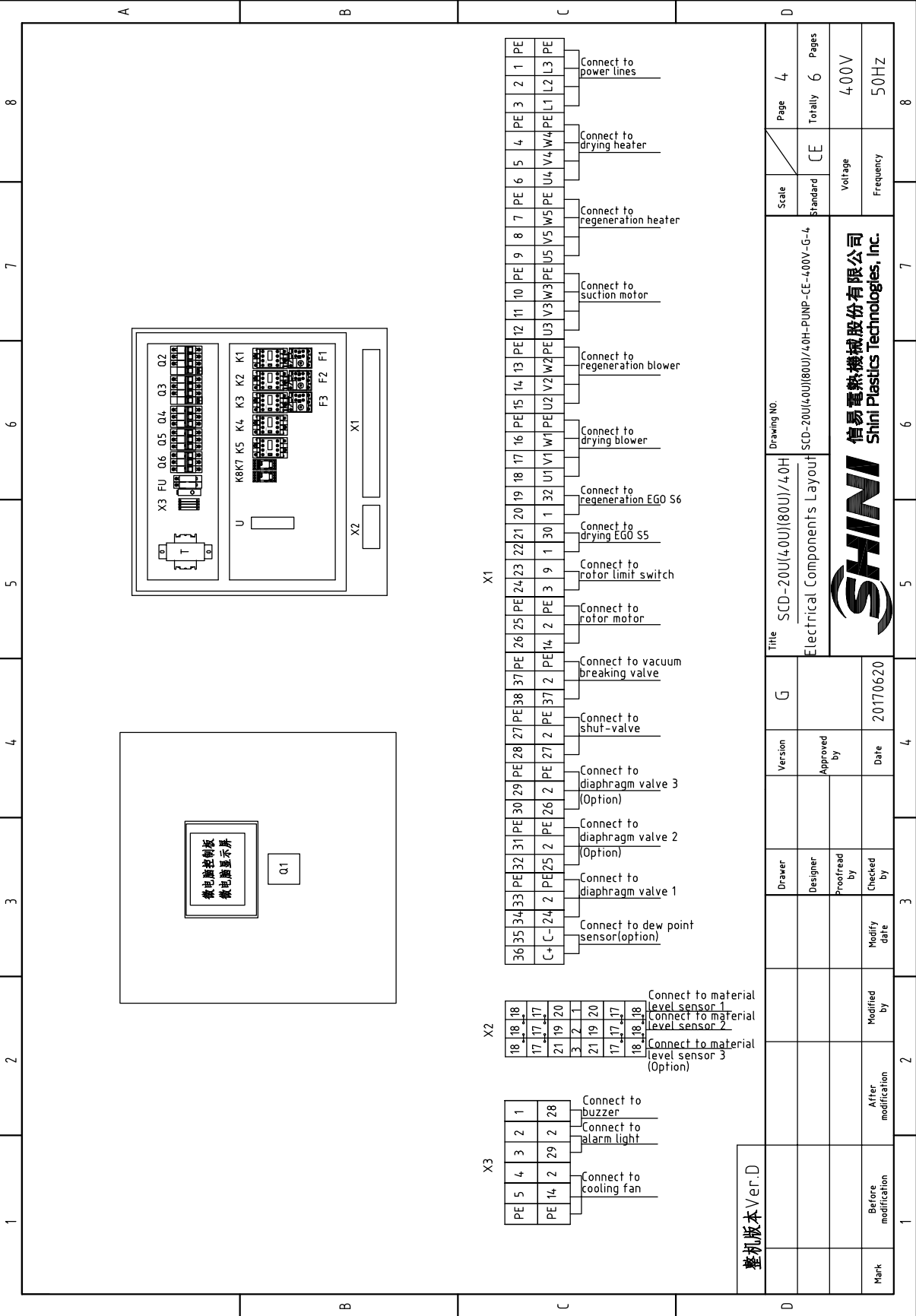
邦普K.SF878500A.01-01 (三机一体)



整机版本 Ver.D

Note: When M2 is not adopted, substitute No. 24 wire for No. 25 as well as No.26, and then connect it to diaphragm valve 1.

Title		Drawing NO.		Scale	Page
SCD-20U(4.0U)(80U)/4.0H		SCD-20U(4.0U)(80U)/4.0H-PUMP-CE-4.00V-G-3		Standard	CE
Control Circuit Diagram				Voltage	4.00V
				Frequency	50HZ
SHINI 信易塑料机械股份有限公司 Shini Plastics Technologies, Inc.				Totally	6
				Pages	6
Version	G				
Designer	Approved by				
Proofoad by	Date	20170620			
Modified by	Modify date				
Before modification	After modification				
Mark					



X3

PE 5	4	3	2	1
PE 14	2	29	2	28

Connect to cooling fan
Connect to alarm light
Connect to buzzer

X2

18	18	17	17	21	19	20	3	2	1
17	17	17	17	17	17	17	17	17	18

Connect to material level sensor 1
Connect to material level sensor 2
Connect to material level sensor 3 (Option)

X1

36	35	34	33	PE32	31	PE30	29	PE28	27	PE26	25	PE24	23	22	21	20	19	18	17	16	PE15	14	13	PE12	11	10	PE9	8	7	PE6	5	4	PE3	3	2	1	PE
----	----	----	----	------	----	------	----	------	----	------	----	------	----	----	----	----	----	----	----	----	------	----	----	------	----	----	-----	---	---	-----	---	---	-----	---	---	---	----

Connect to dew point sensor(option)
Connect to diaphragm valve 1
Connect to diaphragm valve 2 (Option)
Connect to diaphragm valve 3 (Option)
Connect to shut-valve
Connect to vacuum breaking valve
Connect to rotor motor
Connect to rotor limit switch
Connect to drying EGO S5
Connect to regeneration EGO S6
Connect to drying blower
Connect to regeneration blower
Connect to suction motor
Connect to regeneration heater
Connect to drying heater
Connect to power lines

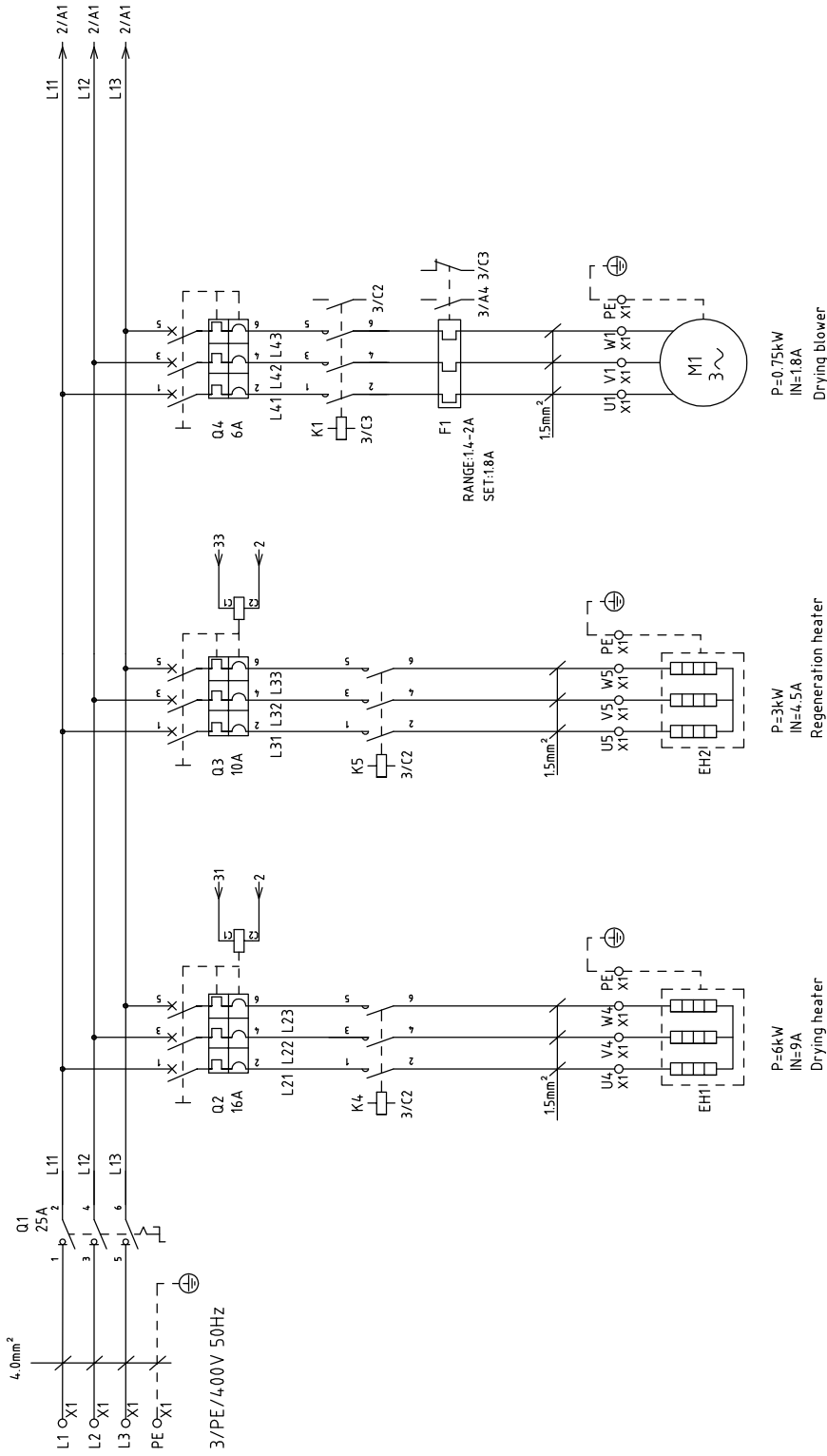
整机版本 Ver.D

Mark	Before modification	After modification	Modified by	Modify date	Checked by	Date	20170620	Approved by	Version	G	Title	Drawing NO.		Page	Pages
	SCD-20U(40U)(80U)/40H	SCD-20U(40U)(80U)/40H-PUMP-CE-400V-G-4	4	4								Scale	Standard	CE	



1	2		3	4	5	6	7	8
NO.	Symbol	Name	Manufacturer	Type	Specification	Number	Material number	Remark
1	Q1	Main power switch	EATON	P1-25/EA/SVB	25A	1	YE10125250000	
2	Q2,Q3,Q6	Circuit-breaker	TECO	BM-63C 3P	10A	3	YE40301003000	
3		Excitation release	TECO	MX	220V 50/60HZ	2	YE40023560000	A
4	Q4,Q5	Circuit-breaker	TECO	BM-63C 3P	6A	2	YE40300603000	
5	K1,K2,K3	Contacto	SIEMENS	3RT6016-1AN21	220V 50/60HZ	3	YE00601621000	
6	K4	Contacto	SIEMENS	3RT6017-1AN21	220V 50/60HZ	1	YE00601721000	
7	K5	Contacto	SIEMENS	3RT6017-1AN21	220V 50/60HZ	1	YE00601721000	
8	K7,K8	Middle relay	WIDMULLER	DRM270730LT	220V 50/60HZ	2	YE03270700000	
9	F1	Overload relay	SIEMENS	3RU6116-0EB0	0.35-0.5A	1	YE01161350000	
10	F2	Overload relay	SIEMENS	3RU6116-0EB0	0.28-0.4A	1	YE01161280000	
11	F3	Overload relay	SIEMENS	3RU6116-1FB0	3.5-5A	1	YE01160350000	B
12	PCB	Microprocessor control board+display screen	PUMP	K.SF878500A.01-01	-----	1	YE80878500000	
13	T	Transformer	BAIYUN	BY-0407009	IN=400V OUT=230V 500mA	1	YE70402300800	
14	U	DC power	MEAN WELL	NES-35-24	OUT=DC24V 1.5A	1	YE71352400100	
15	FU1	Fuse base	CHINT	RT18-32	2P	1	YE41032200000	
16	FU2	Fuse	CHINT	10*38 500V	2A	2	YE46002000100	
17	FU2	Fuse	YINDA	FS-10	2A	1	YE41001000000	
18	S1	Reed switch	FOTEK	FC-12V	24VDC	1	----	(1)
19	S2	Photoelectric switch	FOTEK	T18-3MNB-PE	24VDC	1	----	(1)
20	S3	Dew-point transducer	CS	CS 217-0EM	POWER=24VDC OUT=4-20mA	1	YE90021700100	(1)(2)
21	S4	Micro switch	TEND	----	230VDC	1	----	(1)
22	S5,S6	Temperature protector	EGO	WR-A-50-300-2500-3	250V 5(4)A	2	----	(1)
23	S7,S8,S9	Thermocouple	SHINI	ST-K	K	3	----	(1)
24	Y1,Y2	Solenoid valve	FESTO	MSFW-230-50/60	230V 50/60HZ	2	----	(1)
25	H1	Buzzer	SHINI	PK-35A	220V 50/60HZ	1	YE84003500200	(1)
整机版本 Ver.D Notes: (1)Means it's not the material inside the control box. (2)Stands for optional.								
				Version	G	Title		Drawing NO.
				Drawer		SCD-20U(4-0U)(80U)/4-0H		Scale
				Designer		Electrical Components List 1		Standard
				Proofread by		SCD-20U(4-0U)(80U)/40H-PUMP-CE-400V-G-5		Page 5
				Checked by		SHINI		Totally 6
				Modified by		信易塑料机械股份有限公司 Shini Plastics Technologies, Inc.		Pages
				Modify date	20170620	Voltage		4.00V
				Before modification		Frequency		50Hz
1	2	3	4	5	6	7	8	

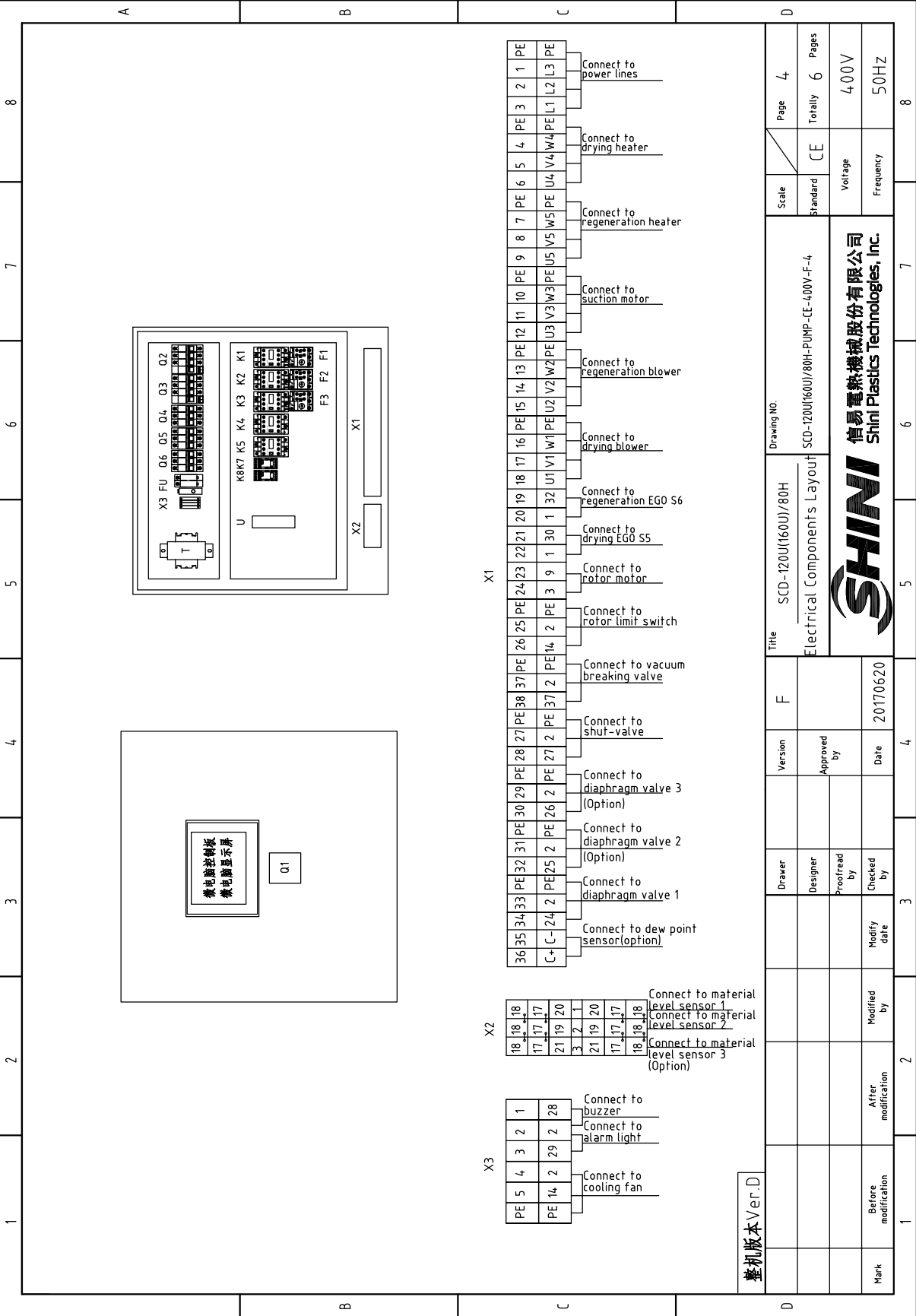
1		2		3		4		5		6		7		8	
NO.	Symbol	Name	Manufacturer	Type	Specification	Number	Material number	Remark							
26	H2	Alarm indicator	SHINI	LED-3051	220V 50/60Hz	1	YE83305100200	(1)							
27	X1	Terminal board	HONEYWELL	4mm ²	41A 690V	18	YE60000403200								
28				4mm ² PE	-	6	YE60000403500								
29				2.5mm ²	32A 690V	14	YE60002503200								
30				2.5mm ² PE	-	4	YE60002503400								
31				2.5mm ²	32A 690V	6	YE60002503200	(2)							
32				2.5mm ² PE	-	2	YE60002503400	(2)							
33	X2	Terminal board	----	Spring terminals SK2.5-TL	10A 250V	3	YE60002503600								
34				FBSTB 10-ZDIK RD	10A 250V	3	YE60001000200								
35				SK-2.5TL桥接件	10A 250V	3	YE60001003600								
36	X3	Terminal board	HONEYWELL	2.5mm ²	32A 690V	5	YE60002503200								
37				2.5mm ² PE	-	1	YE60002503400								
38	X4,X5	Heavy duty connector	SIBAS	HDC-HA-004.1	4P 10A	2	YE68041000100	(1)							
39	FM	Fan	SUNON	DP-200A	230VAC 40W	1	YM60121200400	(1)							
40	M1	Blower	SHINI	-----	400V 0.12kW	1	-----	(1)							
41	M2	Blower	SHINI	-----	400V 0.12kW	1	-----	(1)							
42	M3	Blower	SHINI	-----	400V 1.5kW	1	-----	(1)							
43	M4	Motor	----	-----	230V 0.015kW	1	-----	(1)							
44	EH1	Heater	SHINI	-----	400V 4kW	1	-----	(1)							
45	EH2	Heater	SHINI	-----	400V 3kW	1	-----	(1)							
46	S10	Communication interface board RS-485 [double Dsub-9pin connector]	--	--	--	1	YE90048501200	(1)							
47		Shell RS485(SAL-700G-A-1910)	--	--	--	1	YR40048500000	(1)							
<p>整机版本 Ver.D Notes: (1)Means it's not the material inside the control box. (2)Stands for optional.</p>															
D		Title		Drawing NO.		Scale		Page		D					
		SCD-20U(4-0U)(80U)/4-0H		SCD-20U(4-0U)(80U)/4-0H-PUMP-CE-400V-G-6		CE		6		Voltage 4.00V					
		Electrical Components List 2						Totally		6					
		SHINI		SHINI		SHINI		Frequency		50Hz					
		信易塑料机械股份有限公司		Shini Plastics Technologies, Inc.											
Mark		Before modification		After modification		Modified by		Modify date		20170620		Date		20170620	
1		2		3		4		5		6		7		8	



整机版本 Ver.D Note: Regeneration heater changed to 4kW when it is 60Hz

Mark	Before modification	Modified by	20170620	Date	20170620	Checked by	Date	20170620	Approved by	Version	Title		Drawing NO.	Scale	Page 1
	After modification	Modify date	20170620								Checked by	Date			
													CE	Voltage	4.00V
														Frequency	50Hz

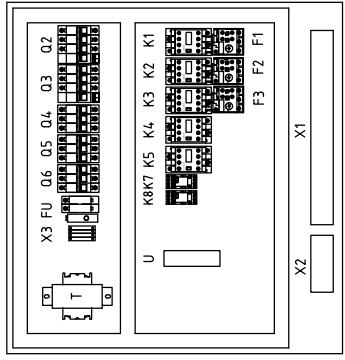




PE 1	PE	Connect to power lines
PE 2	PE	
PE 3	PE	
PE 4	PE	Connect to drying heater
PE 5	PE	
PE 6	PE	
PE 7	PE	Connect to regeneration heater
PE 8	PE	
PE 9	PE	
PE 10	PE	Connect to suction motor
PE 11	PE	
PE 12	PE	
PE 13	PE	Connect to regeneration blower
PE 14	PE	
PE 15	PE	
PE 16	PE	Connect to drying blower
PE 17	PE	
PE 18	PE	Connect to regeneration EGO S6
PE 19	PE	
PE 20	PE	Connect to drying EGO S5
PE 21	PE	
PE 22	PE	Connect to rotor motor
PE 23	PE	
PE 24	PE	
PE 25	PE	Connect to rotor limit switch
PE 26	PE	
PE 27	PE	Connect to vacuum breaking valve
PE 28	PE	
PE 29	PE	Connect to shut-valve
PE 30	PE	
PE 31	PE	Connect to diaphragm valve 3 (Option)
PE 32	PE	
PE 33	PE	Connect to diaphragm valve 2 (Option)
PE 34	PE	
PE 35	PE	Connect to diaphragm valve 1
PE 36	PE	
PE 37	PE	Connect to dew point sensor(option)
PE 38	PE	
PE 39	PE	
PE 40	PE	
PE 41	PE	
PE 42	PE	
PE 43	PE	
PE 44	PE	
PE 45	PE	
PE 46	PE	
PE 47	PE	
PE 48	PE	
PE 49	PE	
PE 50	PE	
PE 51	PE	
PE 52	PE	
PE 53	PE	
PE 54	PE	
PE 55	PE	
PE 56	PE	
PE 57	PE	
PE 58	PE	
PE 59	PE	
PE 60	PE	
PE 61	PE	
PE 62	PE	
PE 63	PE	
PE 64	PE	
PE 65	PE	
PE 66	PE	
PE 67	PE	
PE 68	PE	
PE 69	PE	
PE 70	PE	
PE 71	PE	
PE 72	PE	
PE 73	PE	
PE 74	PE	
PE 75	PE	
PE 76	PE	
PE 77	PE	
PE 78	PE	
PE 79	PE	
PE 80	PE	
PE 81	PE	
PE 82	PE	
PE 83	PE	
PE 84	PE	
PE 85	PE	
PE 86	PE	
PE 87	PE	
PE 88	PE	
PE 89	PE	
PE 90	PE	
PE 91	PE	
PE 92	PE	
PE 93	PE	
PE 94	PE	
PE 95	PE	
PE 96	PE	
PE 97	PE	
PE 98	PE	
PE 99	PE	
PE 100	PE	

X2 18	18	Connect to material level sensor 1
X2 17	17	Connect to material level sensor 2
X2 21	19	Connect to material level sensor 3 (Option)
X2 3	2	
X2 21	19	
X2 17	17	
X2 18	18	

X3 1	1	Connect to buzzer
X3 2	2	Connect to alarm light
X3 3	3	
X3 4	4	
X3 29	2	Connect to cooling fan
X3 14	2	



整机版本 Ver.D

Title	SCD-120U(160U)/80H		Drawing NO.	SCD-120U(160U)/80H-PUMP-CE-400V-F-4	
	Electrical Components Layout			Standard	CE
Version			Scale	Page 4	
Approved by			Voltage	400V	
Date	20170620			Frequency	50HZ
Drawer			Totally 6		
Designer			Voltage		
Proofread by			Frequency		
Checked by			400V		
Modify date			50HZ		
Mark			Before modification		
			After modification		
			Modified by		
			Modify date		




1		2		3		4		5		6		7		8	
NO.	Symbol	Name	Manufacturer	Type	Specification	Number	Material number	Remark							
1	Q1	Main power switch	EATON	P1-25/EA/SVB	25A	1	YE10125250000								
2	Q2	Circuit-breaker	TECO	BM-63C 3P	16A	1	YE40301603000								
3	Q3 Q6	Circuit-breaker	TECO	BM-63C 3P	10A	2	YE40301003000	A							
4		Excitation release	TECO	MX	220V 50/60Hz	2	YE40023560000								
5	Q4 Q5	Circuit-breaker	TECO	BM-63C 3P	6A	3	YE40300603000								
6	K1,K2,K3	Contacto	SIEMENS	3RT6016-1AN21	220V 50/60Hz	3	YE00601621000								
7	K4	Contacto	SIEMENS	3RT6018-1AN21	220V 50/60Hz	1	YE00601800000								
8	K5	Contacto	SIEMENS	3RT6017-1AN21	220V 50/60Hz	1	YE00601721000								
9	K7,K8	Middle relay	WEIDMULLER	DRM270730LT	220V 50/60Hz	2	YE03270700000								
10	F1	Overload relay	SIEMENS	3RU6116-1BB0	1.4-2A	1	YE01160140000								
11	F2	Overload relay	SIEMENS	3RU6116-1AB0	1.1-1.6A	1	YE01160110000	B							
12	F3	Overload relay	SIEMENS	3RU6116-1FB0	3.5-5A	1	YE01160350000								
13	PCB	Microprocessor control board+display screen	PUMP	K.SF878500A.01-01	-----	1	YE80878500000								
14	T	Transformer	BAIYUN	BY-0407009	IN=400V OUT=230V 500mA	1	YE70402300800								
15	U	DC power	MEAN WELL	NES-35-24	OUT=DC24V 1.5A	1	YE71352400100								
16	FU1	Fuse base	CHINT	RT18-32	2P	1	YE41032200000								
17		Fuse	CHINT	10x38 500V	2A	2	YE46002000100								
18	FU2	Fuse	YINDA	FS-10	2A	1	YE41001000000								
19	S1	Reed switch	FOTEK	FC-12V	24VDC	1	----	(1)							
20	S2	Photoelectric switch	FOTEK	T18-3MNB-PE	24VDC	1	----	(1)							
21	S3	Dew-point transducer	CS	CS 217-OEM	POWER=24VDC OUT=4-20mA	1	YE90021700100	(1)(2)							
22	S4	Micro switch	TEND	----	----	1	----	(1)							
23	S5,S6	Temperature protector	EGO	WR-A-50-300-2500-3	250V 5(4)A	2	----	(1)							
24	S7,S8,S9	Thermocouple	SHINI	ST-K	K	3	----	(1)							
25	Y1,Y2	Solenoid valve	FESTO	MSFW-230-50/60	230V 50/60Hz	2	----	(1)							

整机版本 Ver.D | Notes: (1)Means it's not the material inside the control box. (2)Stands for optional.

D		E		F		G		H	
Mark	Before modification	After modification	Modified by	Modify date	Checked by	Date	Proofread by	Designer	Version
									F
								Title	
								SCD-120U(160U)/80H	
								Drawing NO.	
								SCD-120U(160U)/80H-PUMP-CE-400V-F-5	
								Electrical Components List 1	
								Scale	
								Standard	
								CE	
								Voltage	
								4.00V	
								Frequency	
								50Hz	
								Page 5	
								Totally 6	
								Pages	

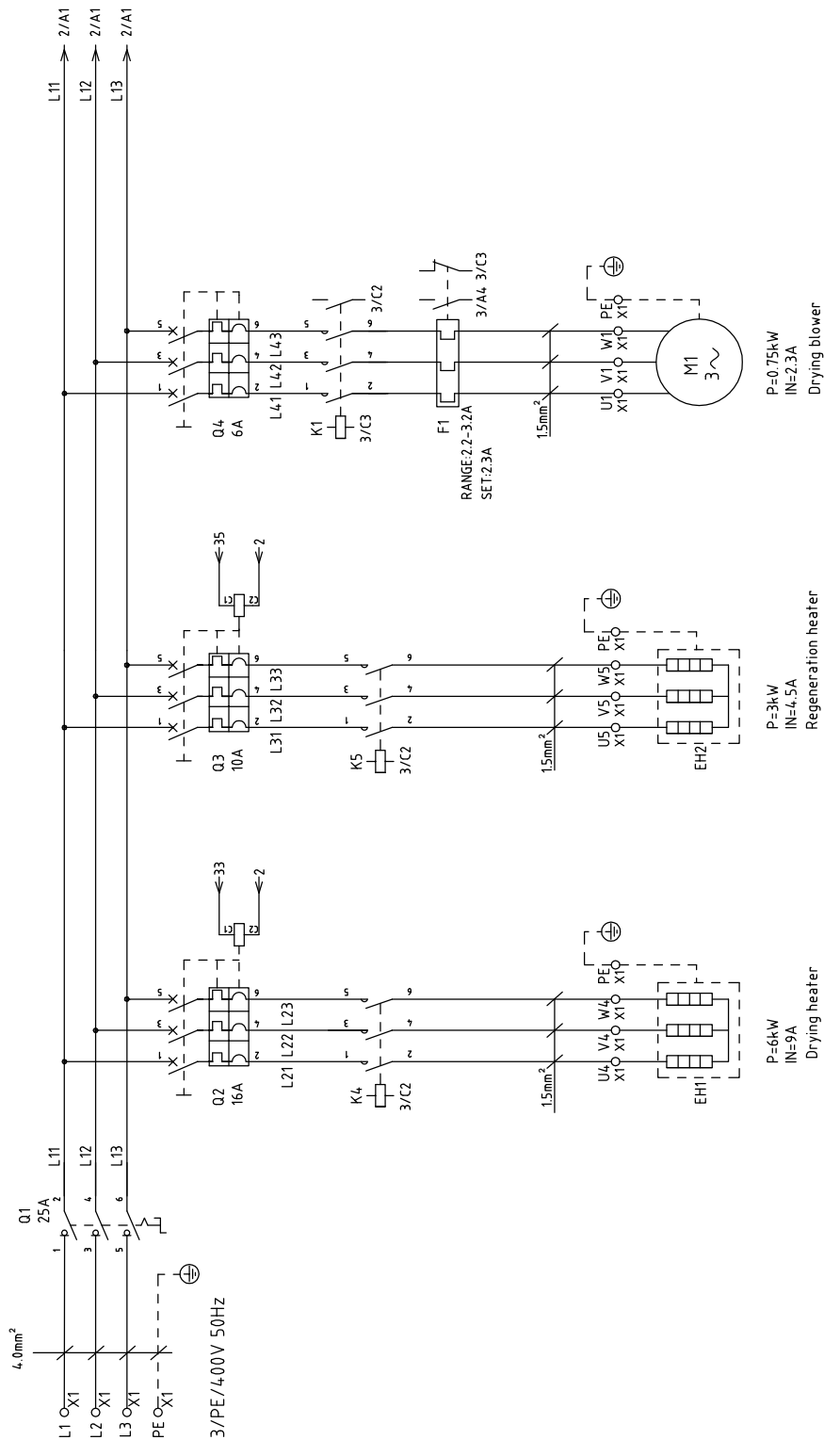


1		2		3		4		5		6		7		8	
NO.	Symbol	Name	Manufacturer	Type	Specification	Number	Material number	Remark							
26	H1	Buzzer	SHINI	PK-35A	220V 50/60Hz	1	YE84003500200	(1)							
27	H2	Alarm indicator	SHINI	LED-3051	230V 50/60Hz	1	YE83305100200	(1)							
28	X1	Terminal board	HONEYWELL	4mm ²	41A 690V	18	YE60000403200								
29				4mm ² PE	-	6	YE60000403500								
30			HONEYWELL	2.5mm ²	32A 690V	14	YE60002503200								
31				2.5mm ² PE	-	4	YE60002503400								
32				2.5mm ²	32A 690V	6	YE60002503200	(2)							
33				2.5mm ² PE	-	2	YE60002503400	(2)							
34	X2	Terminal board	----	Spring terminals SK2.5-TL	10A 250V	3	YE60002503600								
35				FBSTB 10-ZDIK RD	10A 250V	3	YE60001000200								
36				SK-2.5TL桥接件	10A 250V	3	YE60001003600								
37	X3	Terminal board	HONEYWELL	2.5mm ²	32A 690V	5	YE60002503200								
38				2.5mm ² PE	-	1	YE60002503400								
39	X4,X5	Heavy duty connector	SIBAS	HDC-HA-004.1	4P 10A	2	YE6804.1000100	(1)							
40	FM	Fan	SUNON	DP-200A	230VAC 40W	1	YM60121200400	(1)							
41	M1	Blower	SHINI	-----	400V 0.75kW	1	-----	(1)							
42	M2	Blower	SHINI	-----	400V 0.4kW	1	-----	(1)							
43	M3	Blower	SHINI	-----	400V 1.5kW	1	-----	(1)							
44	M4	Motor	----	-----	230V 0.015kW	1	-----	(1)							
45	EH1	Heater	SHINI	-----	400V 6kW	1	-----	(1)							
46	EH2	Heater	SHINI	-----	400V 3kW	1	-----	(1)	50HZ机型						
47	EH2	Heater	SHINI	-----	400V 4kW	1	-----	(1)	60HZ机型						
48	S10	Communication interface board RS-485 (double Dsub-9pin connector)	--	--	--	1	YE90048501200	(1)							
			--	--	--	1	YR40048500000	(1)							
整机版本 Ver.D Notes: (1)Means it's not the material inside the control box. (2)Stands for optional.															
				Drawer	Version		F	Title		Drawing NO.		Scale	Page	6	
				Designer	Approved by			SCD-120U(160U)/80H		SCD-120U(160U)/80H-PUMP-CE-400V-F-6		Standard	Totally	6	
				Proofread by	Date		20170620	Electrical Components List 2				CE	Voltage	4.00V	
				Checked by	Modify date			 信易塑料机械股份有限公司 Shini Plastics Technologies, Inc.				Frequency	50Hz		
Mark	Before modification	After modification													

Notes: (1)Means it's not the material inside the control box. (2)Stands for optional.



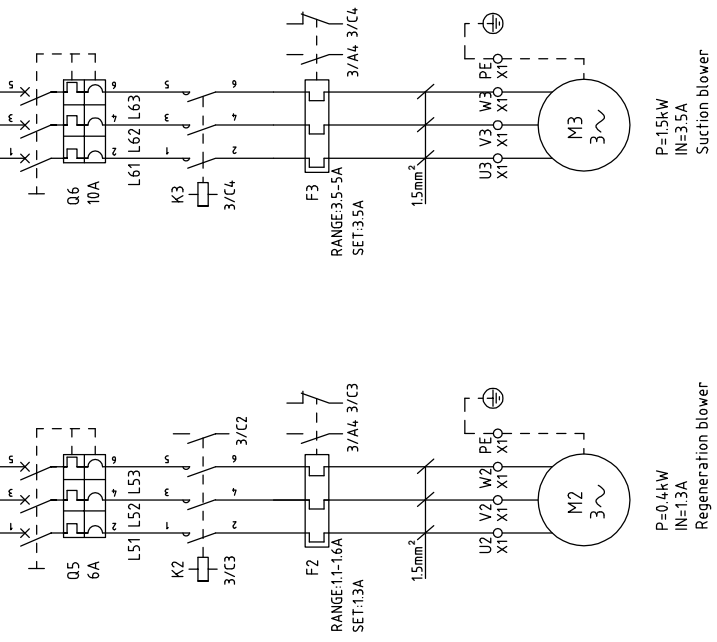
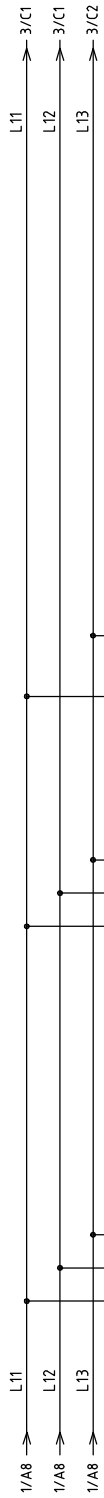
信易塑料机械股份有限公司
Shini Plastics Technologies, Inc.



整列版本 Ver.A Note: Regeneration heater changed to 4kW when it is 60Hz

Mark	Before modification	Modified by	Date	20170821	F	Version	Title	SCD-120U/120H	Drawing NO.	SCD-120U/120H-PUMP-CE-400V-F-1	Scale	Page 1
	After modification	Modified by	Date	20170821							Standard	Totally 6
											Voltage	4.00V
											Frequency	50Hz



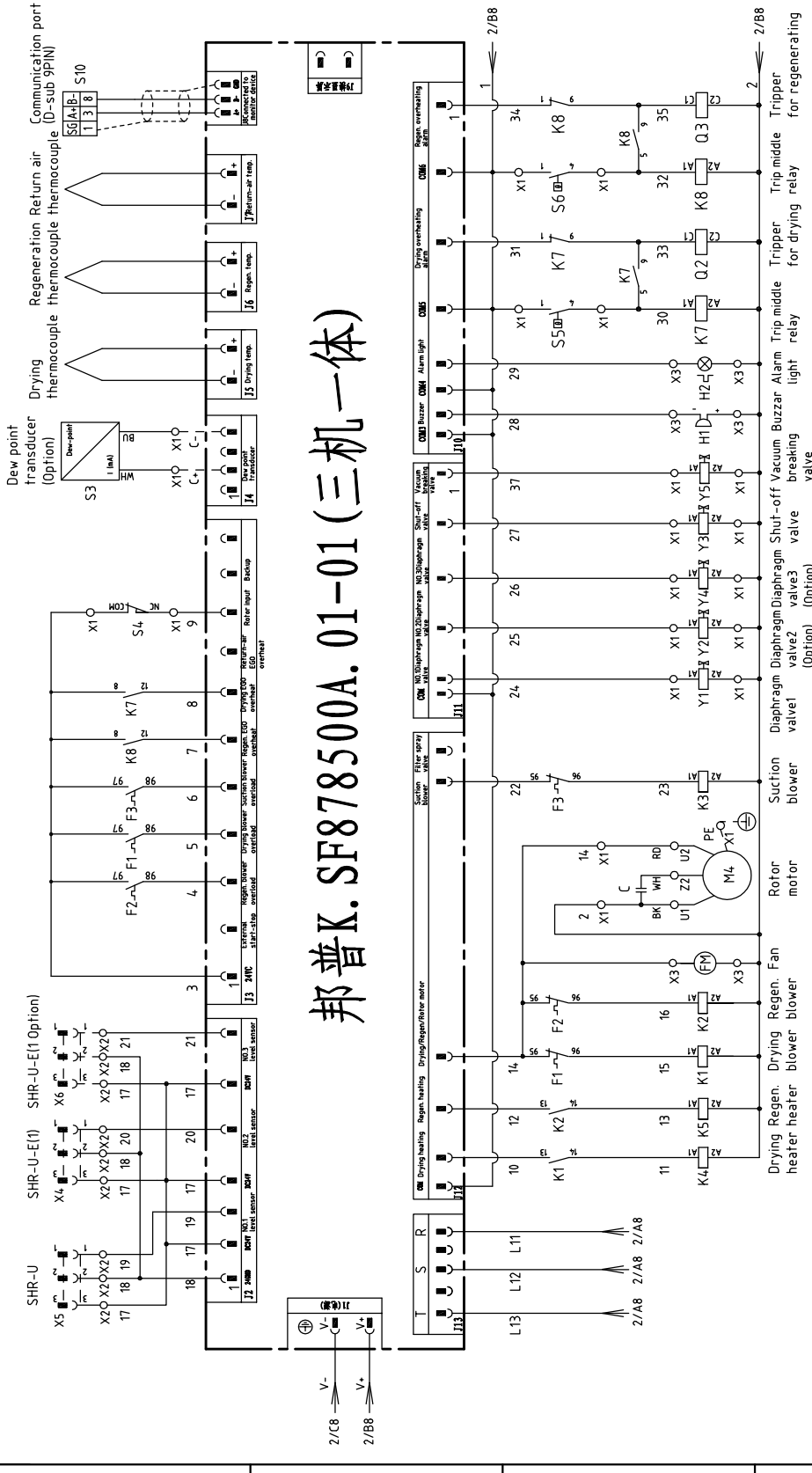


整机版本 Ver.A

Title	SCD-120U/120H		Drawing NO.	SCD-120U/120H-PUMP-CE-400V-F-2	
	Main Circuit Diagram 2			Scale	Page 2
Version	F		Standard	CE	Pages
	Approved by		Voltage	400V	Totally 6
Date	20170821		Frequency	50Hz	8
	20170821				
Mark	Before modification	Modified by	Modify Date		
Drawn	Designer	Proofread by	Checked by		
<p>P=0.4kW IN=1.3A Regeneration blower</p> <p>P=15kW IN=3.5A Suction blower</p>					



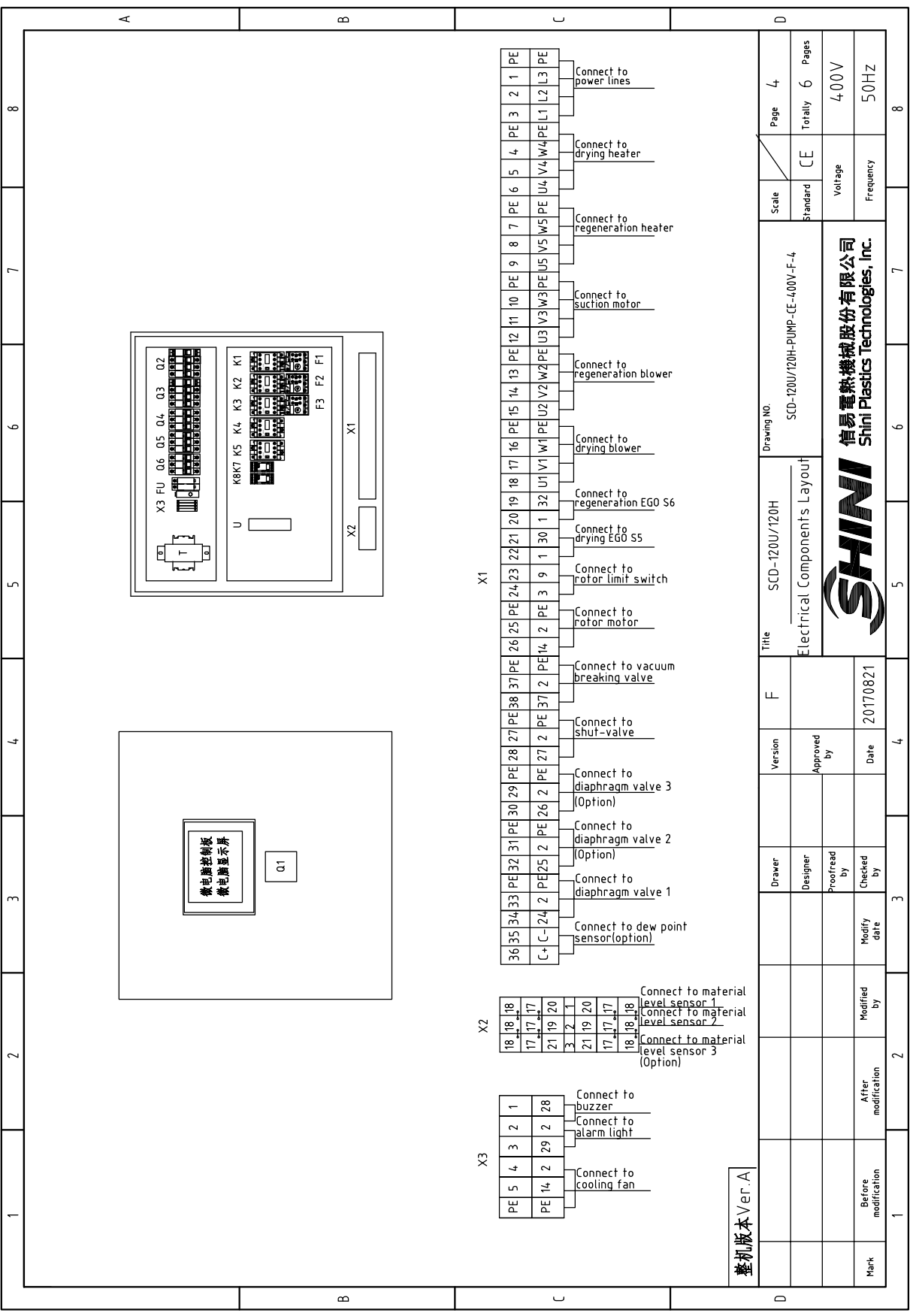
邦普K.SF878500A.01-01 (三机一体)



整机版本 Ver.A

Title			SCD-120U/120H		Drawing NO.		Page 3
Control Circuit Diagram			SCD-120U/120H-PUMP-CE-400V-F-3		Standard		Totally 6 Pages
Version			F		Scale		Voltage
Approved by					Standard		Frequency
Date			20170821		Trip middle		4.00V
Checked by					Trip middle		5.0HZ
Modified by					Tripper for drying relay		
Modify date					Tripper for regeneration		
Mark			Before modification		Tripper for regenerating		
			After modification				





1 2 3 4 5 6 7 8

微电脑控制板
微电脑显示屏
Q1

- | | | | | |
|----|-------|----|----|---------------------------------------|
| X1 | PE 1 | 1 | PE | Connect to power lines |
| | PE 2 | 1 | PE | |
| | PE 3 | 2 | 1 | |
| | PE 4 | 4 | PE | Connect to drying heater |
| | PE 5 | 5 | 4 | |
| | PE 6 | 5 | 4 | |
| | PE 7 | 5 | 4 | |
| | PE 8 | 7 | PE | Connect to regeneration heater |
| | PE 9 | 8 | 7 | |
| | PE 10 | 9 | 8 | Connect to suction motor |
| | PE 11 | 10 | 9 | |
| | PE 12 | 11 | 10 | |
| | PE 13 | 13 | PE | Connect to regeneration blower |
| | PE 14 | 14 | 13 | |
| | PE 15 | 14 | 13 | |
| | PE 16 | 16 | PE | Connect to drying blower |
| | PE 17 | 17 | 16 | |
| | PE 18 | 17 | 16 | |
| | PE 19 | 18 | 17 | |
| | PE 20 | 19 | 18 | |
| | PE 21 | 20 | 19 | |
| | PE 22 | 21 | 20 | |
| | PE 23 | 22 | 21 | |
| | PE 24 | 23 | 22 | |
| | PE 25 | 2 | PE | Connect to rotor limit switch |
| | PE 26 | 2 | PE | |
| | PE 27 | 2 | PE | Connect to rotor motor |
| | PE 28 | 2 | PE | |
| | PE 29 | 2 | PE | Connect to vacuum breaking valve |
| | PE 30 | 2 | PE | |
| | PE 31 | 2 | PE | Connect to shut-valve |
| | PE 32 | 2 | PE | |
| | PE 33 | 2 | PE | Connect to diaphragm valve 3 (Option) |
| | PE 34 | 2 | PE | |
| | PE 35 | 2 | PE | Connect to diaphragm valve 2 (Option) |
| | PE 36 | 2 | PE | |
| | PE 37 | 2 | PE | Connect to diaphragm valve 1 |
| | PE 38 | 2 | PE | |
| | PE 39 | 2 | PE | Connect to dew point sensor (option) |
| | PE 40 | 2 | PE | |
| | PE 41 | 2 | PE | |
| | PE 42 | 2 | PE | |
| | PE 43 | 2 | PE | |
| | PE 44 | 2 | PE | |
| | PE 45 | 2 | PE | |
| | PE 46 | 2 | PE | |
| | PE 47 | 2 | PE | |
| | PE 48 | 2 | PE | |
| | PE 49 | 2 | PE | |
| | PE 50 | 2 | PE | |
| | PE 51 | 2 | PE | |
| | PE 52 | 2 | PE | |
| | PE 53 | 2 | PE | |
| | PE 54 | 2 | PE | |
| | PE 55 | 2 | PE | |
| | PE 56 | 2 | PE | |
| | PE 57 | 2 | PE | |
| | PE 58 | 2 | PE | |
| | PE 59 | 2 | PE | |
| | PE 60 | 2 | PE | |
| | PE 61 | 2 | PE | |
| | PE 62 | 2 | PE | |
| | PE 63 | 2 | PE | |
| | PE 64 | 2 | PE | |
| | PE 65 | 2 | PE | |
| | PE 66 | 2 | PE | |
| | PE 67 | 2 | PE | |
| | PE 68 | 2 | PE | |
| | PE 69 | 2 | PE | |
| | PE 70 | 2 | PE | |
| | PE 71 | 2 | PE | |
| | PE 72 | 2 | PE | |
| | PE 73 | 2 | PE | |
| | PE 74 | 2 | PE | |
| | PE 75 | 2 | PE | |
| | PE 76 | 2 | PE | |
| | PE 77 | 2 | PE | |
| | PE 78 | 2 | PE | |
| | PE 79 | 2 | PE | |
| | PE 80 | 2 | PE | |


- | | | | | |
|----|----|----|----|---|
| X2 | 18 | 18 | 1 | Connect to material level sensor 1 |
| | 17 | 17 | 1 | Connect to material level sensor 2 |
| | 21 | 19 | 20 | Connect to material level sensor 3 (Option) |
| | 3 | 2 | 1 | |
| | 3 | 2 | 1 | |
| | 18 | 18 | 1 | |

- | | | | | | | |
|----|-------|---|----|---|----|------------------------|
| X3 | PE 5 | 4 | 3 | 2 | 1 | Connect to buzzer |
| | PE 14 | 2 | 29 | 2 | 28 | Connect to alarm light |
| | | | | | | |
| | | | | | | Connect to cooling fan |

整机版本 Ver.A	
Title	SCD-120U/120H Electrical Components Layout
Version	F
Designer	
Proofread by	
Checked by	
Modify date	
Modified by	
After modification	
Before modification	
Mark	
Date	20170821
Approved by	
Scale	Standard
Standard	CE
Voltage	400V
Frequency	50HZ
Page	4
Totally	6
Pages	6



1 2 3 4 5 6 7 8

1		2		3		4		5		6		7		8	
NO.	Symbol	Name	Manufacturer	Type	Specification	Number	Material number	Remark	D		E		F		
									Scale	Page	Standard	Totally	CE	Voltage	Frequency
1	Q1	Main power switch	EATON	P1-25/EA/SVB	25A	1	YE10125250000								
2	Q2	Circuit-breaker	TECO	BM-63C 3P	16A	1	YE40301603000								
3	Q3 Q6	Circuit-breaker	TECO	BM-63C 3P	10A	2	YE40301003000								
4		Excitation release	TECO	MX	220V 50/60Hz	2	YE40023560000								
5	Q4 Q5	Circuit-breaker	TECO	BM-63C 3P	6A	3	YE40300603000								
6	K1 K2 K3	Contacto	SIEMENS	3RT6016-1AN21	220V 50/60Hz	3	YE00601621000								
7	K4	Contacto	SIEMENS	3RT6018-1AN21	220V 50/60Hz	1	YE00601800000								
8	K5	Contacto	SIEMENS	3RT6017-1AN21	220V 50/60Hz	1	YE00601721000								
9	K7 K8	Middle relay	WEIDMULLER	DRM270730LT	220V 50/60Hz	2	YE03270700000								
10	F1	Overload relay	SIEMENS	3RU6116-1DB0	2.2-3.2A	1	YE01160220000								
11	F2	Overload relay	SIEMENS	3RU6116-1AB0	1.1-1.6A	1	YE01160110000								
12	F3	Overload relay	SIEMENS	3RU6116-1FB0	3.5-5A	1	YE01160350000								
13	PCB	Microprocessor control board+display screen	PUMP	K.SF878500A.01-01	-----	1	YE80878500000								
14	T	Transformer	BAIYUN	BY-0407009	IN=400V OUT=230V 500mA	1	YE70402300800								
15	U	DC power	MEAN WELL	NES-35-24	OUT=DC24V 1.5A	1	YE71352400100								
16	FU1	Fuse base	CHINT	RT18-32	2P	1	YE41032200000								
17		Fuse	CHINT	10x38 500V	2A	2	YE46002000100								
18	FU2	Fuse	YINDA	FS-10	2A	1	YE41001000000								
19	S1	Reed switch	FOTEK	FC-12V	24VDC	1	-----								
20	S2	Photoelectric switch	FOTEK	T18-3MNB-PE	24VDC	1	-----								
21	S3	Dew-point transducer	CS	CS 217-0EM	POWER=24VDC OUT=4-20mA	1	YE90021700100								
22	S4	Micro switch	TEND	----	----	1	-----								
23	S5 S6	Temperature protector	EGO	WR-A-50-300-2500-3	250V 5(4)A	2	-----								
24	S7,S8,S9	Thermocouple	SHINI	ST-K	K	3	-----								
25	Y1,Y2,Y3,Y5	Solenoid valve	FESTO	MSFW-230-50/60	230V 50/60Hz	4	-----								
整机版本 Ver.A Notes: (1)Means it's not the material inside the control box. (2)Stands for optional.															
				Title		Drawing NO.		Scale		Page					
				SCD-1200U/120H		SCD-1200U/120H-PUMP-CE-400V-F-5		CE		5					
				Electrical Components List 1						Voltage		4.00V			
										Frequency		50Hz			
						信易塑料机械股份有限公司 Shini Plastics Technologies, Inc.									
Mark		Before modification		Modified by		Modify date		Checked by		Date					
						20170821									

1		2		3		4		5		6		7		8	
NO.	Symbol	Name	Manufacturer	Type	Specification	Number	Material number	Remark							
26	Y4	Solenoid valve	FESTO	MSFW-230-50/60	230V 50/60Hz	1	----	(1)(2)							
27	H1	Buzzer	SHINI	PK-35A	230V 50/60Hz	1	YE84.003500200	(1)							
28	H2	Alarm indicator	SHINI	LED-3051	230V 50/60Hz	1	YE83305100200	(1)							
29	X1	Terminal board	HONEYWELL	4mm ²	4.1A 690V	18	YE60000403200	(1)							
30				4mm ² PE	-	6	YE60000403500								
31				2.5mm ²	32A 690V	16	YE60002503200								
32				2.5mm ² PE	-	5	YE60002503400								
33				2.5mm ²	32A 690V	4	YE60002503200	(2)							
34				2.5mm ² PE	-	1	YE60002503400	(2)							
35	X2	Terminal board	----	Spring terminals SK2.5-TL	10A 250V	2	YE60002503600	(2)							
36				Spring terminals SK2.5-TL	10A 250V	1	YE60002503600	(2)							
37				SK-2.5TL桥接件	10A 250V	1	YE60001003600								
38	X3	Terminal board	HONEYWELL	2.5mm ²	32A 690V	5	YE60002503200								
39				2.5mm ² PE	-	1	YE60002503400								
40	X4,X5	Heavy duty connector	SIBAS	HDC-HA-004.1	4P 10A	2	YE6804.1000100	(1)							
41	FM	Fan	SUNON	DP-200A	230VAC 40W	1	YM60121200400	(1)							
42	M1	Blower	SHINI	-----	400V 0.75kW	1	-----	(1)							
43	M2	Blower	SHINI	-----	400V 0.4kW	1	-----	(1)							
44	M3	Blower	SHINI	-----	400V 15kW	1	-----	(1)							
45	M4	Motor	----	-----	230V 0.015kW	1	-----	(1)							
46	EH1	Heater	SHINI	-----	400V 6kW	1	-----	(1)							
47	EH2	Heater	SHINI	-----	400V 3kW	1	-----	(1)							
48	EH2	Heater	SHINI	-----	400V 4kW	1	-----	(1)							
49	S10	Communication interface board RS-485 (double Dsub-9pin Connector)	--	--	--	1	YE90048501200	(1)							
50		Shell RS485(SAL-700G-A-1910)	--	--	--	1	YR40048500000	(1)							

A		B		C		D	
Material number	Scale	Standard	CE	Voltage	4.00V	Page	6
Standard	Frequency	Frequency	50Hz	Page	6	Totality	6

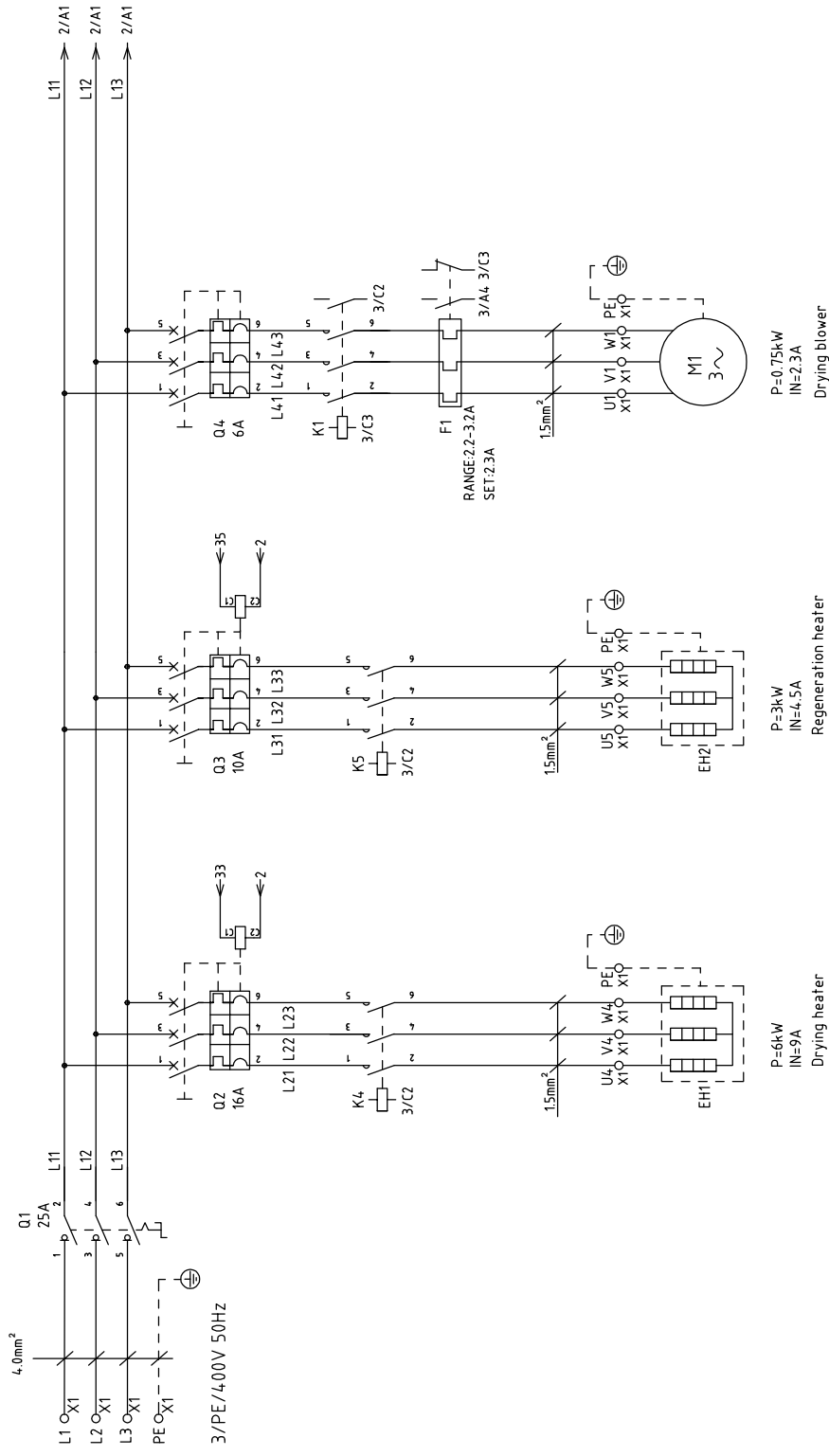
Title		Drawing NO.	
SCD-120U/120H	Electrical Components List 2	SCD-120U/120H-PUMP-CE-4.00V-F-6	

SHINI		信易塑料机械股份有限公司	
Shini	Shini Plastics Technologies, Inc.		

Version		F	
Designer	Approved by		
Proofread by	Date	20170821	

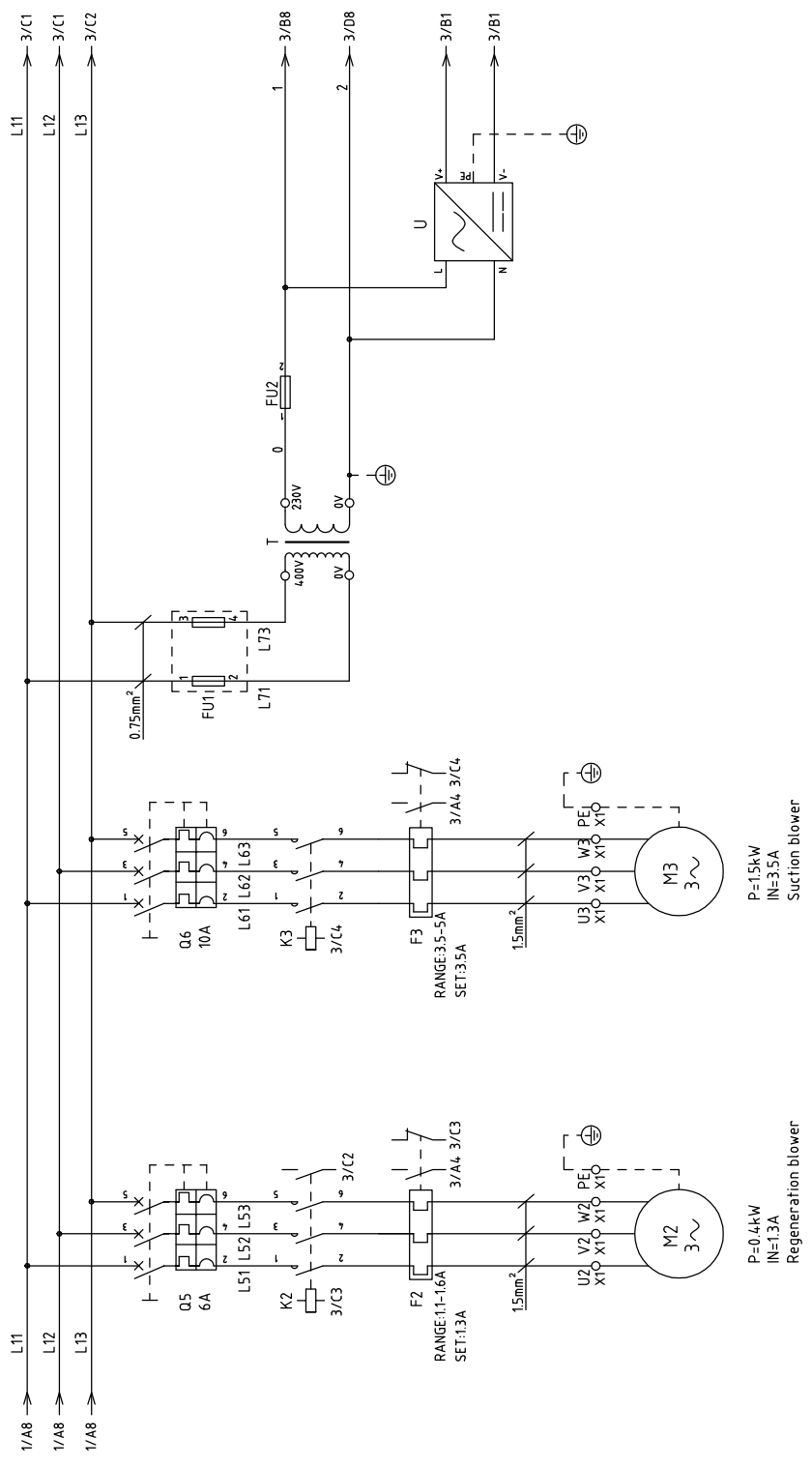
Drawer		3		4	
Modified by	Modify date				

整机版本 Ver. A Notes: (1)Means it's not the material inside the control box. (2)Stand for optional.



整机版本 Ver.E Note: Regeneration heater changed to 4kW when it is 60Hz

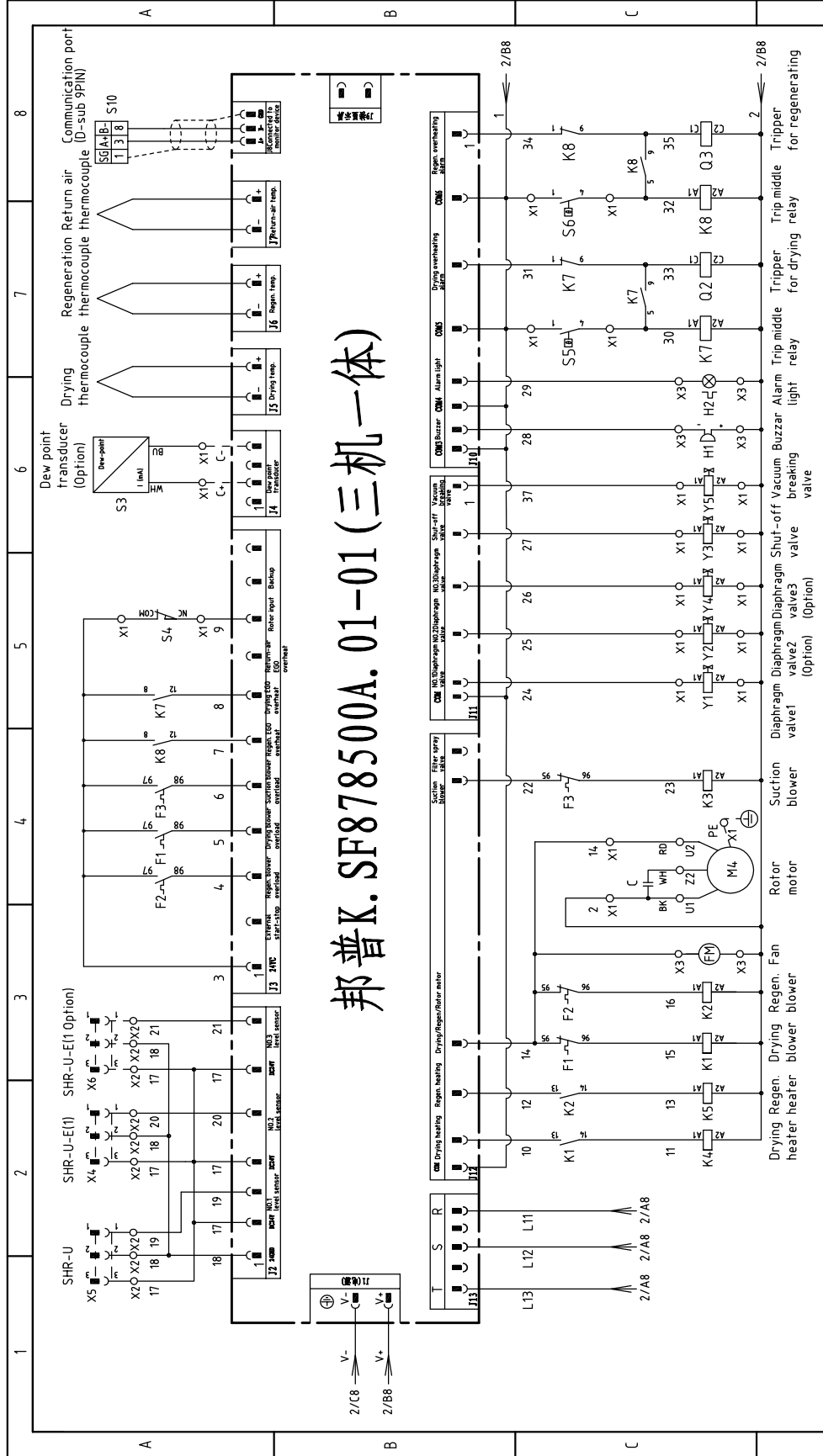
整機版本 Ver.E		Title		Version		Scale		Page	
		SCD-160U/120H				Standard		1	
		Main Circuit Diagram 1		Approved by		CE		Totally 6	
		SHINI		Date		Voltage		400V	
		信易電熱機械股份有限公司 Shini Plastics Technologies, Inc.		20170821		Frequency		50Hz	
Mark		Before modification		After modification		Modify Date		Checked by	
1		2		3		4		5	
6		7		8		9		10	



整机版本 Ver.E

Title		Drawing NO.		Scale	Page
SCD-160U/120H		SCD-160U/120H-PUMP-CE-400V-F-2		Standard	2
Main Circuit Diagram 2		CE		Voltage	400V
SHINI		信易塑料机械股份有限公司 Shini Plastics Technologies, Inc.		Frequency	50Hz
Version	Approved by	Date	20170821	Totally	6
Designer	Proofread by	Modify Date		Pages	
Drawer	Checked by	Mark	Before modification	After modification	

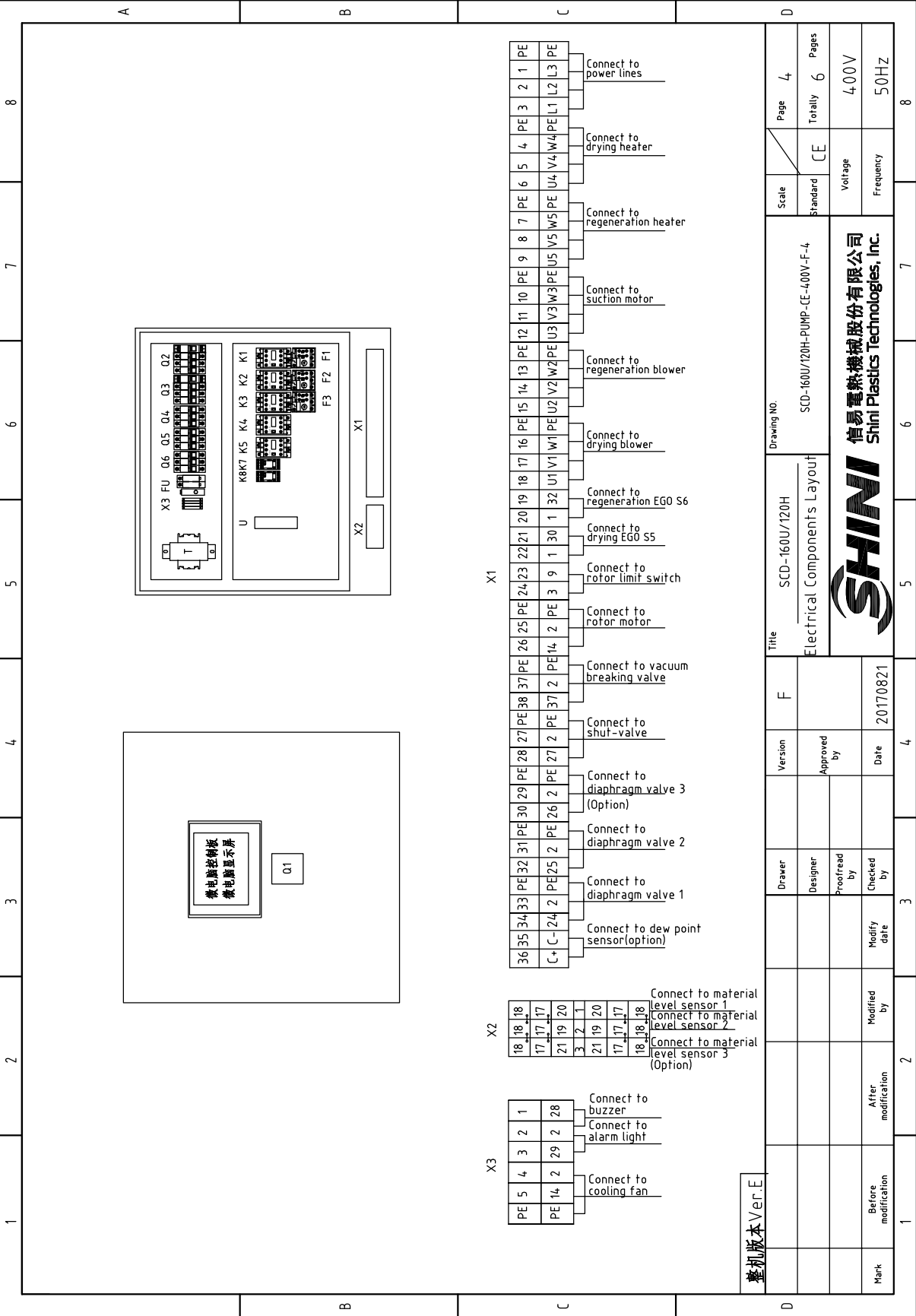
邦普K.SF878500A.01-01 (三机一体)



整机版本 Ver.E

1	2	3	4
5	6	7	8
Title		Drawing NO.	
Control Circuit Diagram		SCD-160U/120H	
Version		Scale	
Approved by		Standard	
Date		Page	
20170821		3	
Checked by		Totally	
Modified by		6	
Before modification		Voltage	
After modification		4.00V	
Mark		Frequency	
		50HZ	





整机版本Ver.E

X3

PE 5	4	3	2	1	Connect to cooling fan
PE 14	2	29	2	28	

X2

18	18	17	17	21	19	20	Connect to material level sensor 1
17	17	17	17	18	18	18	

X1


36	35	34	33	32	31	30	29	28	27	26	25	24	23	22	21	20	19	18	17	16	15	14	13	12	11	10	9	8	7	6	5	4	3	2	1	PE
C+	C-	24	2	PE25	2	PE26	2	PE27	2	PE28	2	PE29	2	PE30	2	PE31	2	PE32	2	PE33	2	PE34	2	PE35	2	PE36	2	PE37	2	PE38	2	PE39	2	PE40	2	PE

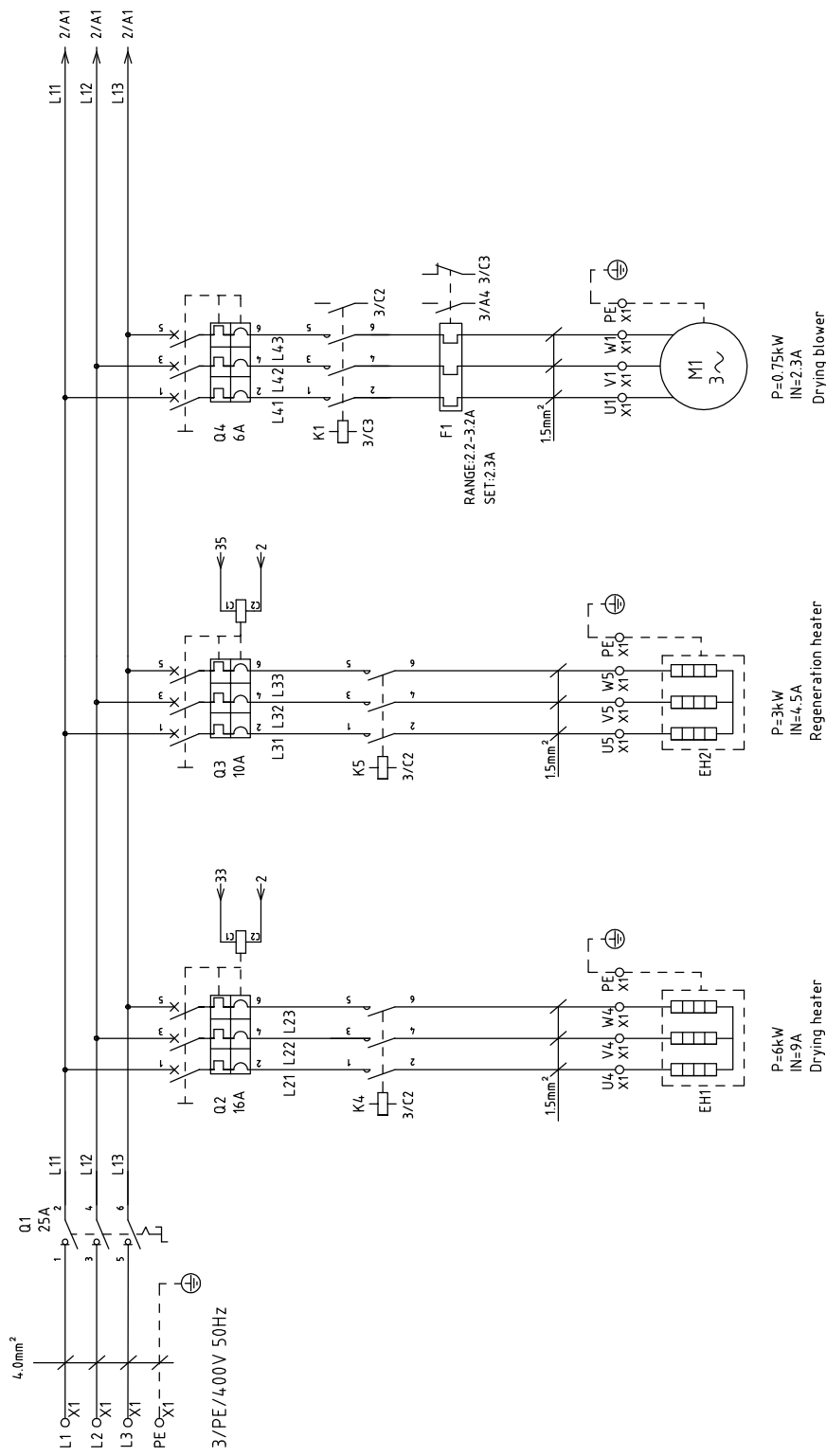
36	35	34	33	32	31	30	29	28	27	26	25	24	23	22	21	20	19	18	17	16	15	14	13	12	11	10	9	8	7	6	5	4	3	2	1	PE
																																				PE

36	35	34	33	32	31	30	29	28	27	26	25	24	23	22	21	20	19	18	17	16	15	14	13	12	11	10	9	8	7	6	5	4	3	2	1	PE
																																				PE

36	35	34	33	32	31	30	29	28	27	26	25	24	23	22	21	20	19	18	17	16	15	14	13	12	11	10	9	8	7	6	5	4	3	2	1	PE
																																				PE

Title		Version		F		Scale		Page	
SCD-160U/120H		F		F		Standard		4	
Drawing NO.		Approved by		Date		Voltage		Totally	
SCD-160U/120H-PUMP-CE-400V-F-4				20170821		4.00V		6	
Electrical Components Layout		Checked by		Modify date		Frequency		Pages	
						50HZ		6	
SHINI		Modified by		After modification		Before modification		Mark	
信易电热机械股份有限公司									
Shini Plastics Technologies, Inc.									
8		7		6		5		4	
8		7		6		5		4	

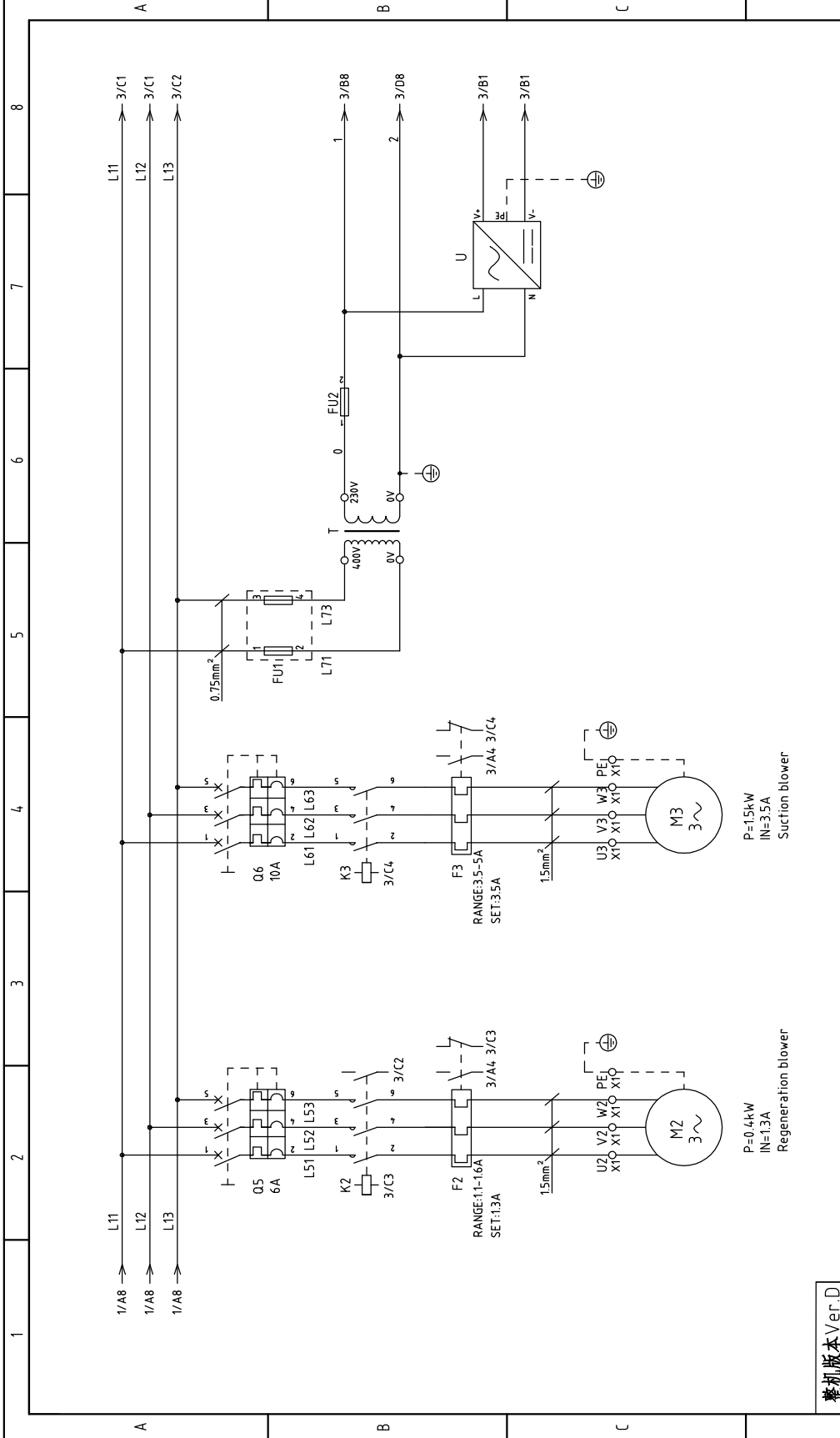
1		2		3		4		5		6		7		8	
NO.	Symbol	Name	Manufacturer	Type	Specification	Number	Material number	Remark	D		D		D		
									Scale	Page	Standard	Totally	Voltage	Frequency	
1	Q1	Main power switch	EATON	P1-25/EA/SVB	25A	1	YE10125250000								
2	Q2	Circuit-breaker	TECO	BM-63C 3P	16A	1	YE40301603000								
3	Q3 Q6	Circuit-breaker	TECO	BM-63C 3P	10A	2	YE40301003000								
4		Excitation release	TECO	MX	220V 50/60Hz	2	YE40023560000								
5	Q4 Q5	Circuit-breaker	TECO	BM-63C 3P	6A	3	YE40300603000								
6	K1 K2 K3	Contacto	SIEMENS	3RT6016-1AN21	220V 50/60Hz	3	YE00601621000								
7	K4	Contacto	SIEMENS	3RT6018-1AN21	220V 50/60Hz	1	YE00601800000								
8	K5	Contacto	SIEMENS	3RT6017-1AN21	220V 50/60Hz	1	YE00601721000								
9	K7 K8	Middle relay	WEIDMULLER	DRM270730LT	220V 50/60Hz	2	YE03270700000								
10	F1	Overload relay	SIEMENS	3RU6116-1DB0	2.2-3.2A	1	YE01160220000								
11	F2	Overload relay	SIEMENS	3RU6116-1AB0	1.1-1.6A	1	YE01160110000								
12	F3	Overload relay	SIEMENS	3RU6116-1FB0	3.5-5A	1	YE01160350000								
13	PCB	Microprocessor control board-display screen	PUMP	K.SF878500A.01-01	-----	1	YE80878500000								
14	T	Transformer	BAIYUN	BY-0407009	IN=400V OUT=230V 500mA	1	YE70402300800								
15	U	DC power	MEAN WELL	NES-35-24	OUT=DC24V 1.5A	1	YE71352400100								
16	FU1	Fuse base	CHINT	RT18-32	2P	1	YE41032200000								
17		Fuse	CHINT	10x38 500V	2A	2	YE46002000100								
18	FU2	Fuse	YINDA	FS-10	2A	1	YE41001000000								
19	S1	Reed switch	FOTEK	FC-12V	24VDC	1	-----								
20	S2	Photoelectric switch	FOTEK	T18-3MNB-PE	24VDC	1	-----								
21	S3	Dew-point transducer	CS	CS 217-0EM	POWER=24VDC OUT=4-20mA	1	YE90021700100								
22	S4	Micro switch	TEND	----	----	1	-----								
23	S5 S6	Temperature protector	EGO	WR-A-50-300-2500-3	250V 5(4)A	2	-----								
24	S7,S8,S9	Thermocouple	SHINI	ST-K	K	3	-----								
25	Y1,Y2,Y3,Y5	Solenoid valve	FESTO	MSFW-230-50/60	230V 50/60Hz	4	-----								
整机版本 Ver.E Notes: (1)Means it's not the material inside the control box. (2)Stands for optional.															
				Title		Drawing NO.		Scale		Page					
				SCD-160U/120H		SCD-160U/120H-PUMP-CE-4.00V-F-5		CE		5					
				Electrical Components List 1				Standard		Totally					
								Voltage		4.00V					
								Frequency		50Hz					
				 SHINI 信易塑料机械股份有限公司 Shini Plastics Technologies, Inc.											
Mark		Before modification		Modified by		Modify date		Checked by		Date					
						20170821									
1		2		3		4		5		6		7		8	



整机版本 Ver.D | Note: Regeneration heater changed to 4kW when it is 60Hz

Mark		Before modification	After modification	Modify date	Checked by	Proofofread by	Designer	Drawer	Version	F	Title	Drawing NO.	Scale	Page
											SCD-230U/120H	SCD-230U/120H-PUMP-CE-400V-F-1	Standard	Page 1
														Totally 6
														Pages
														400V
														50Hz





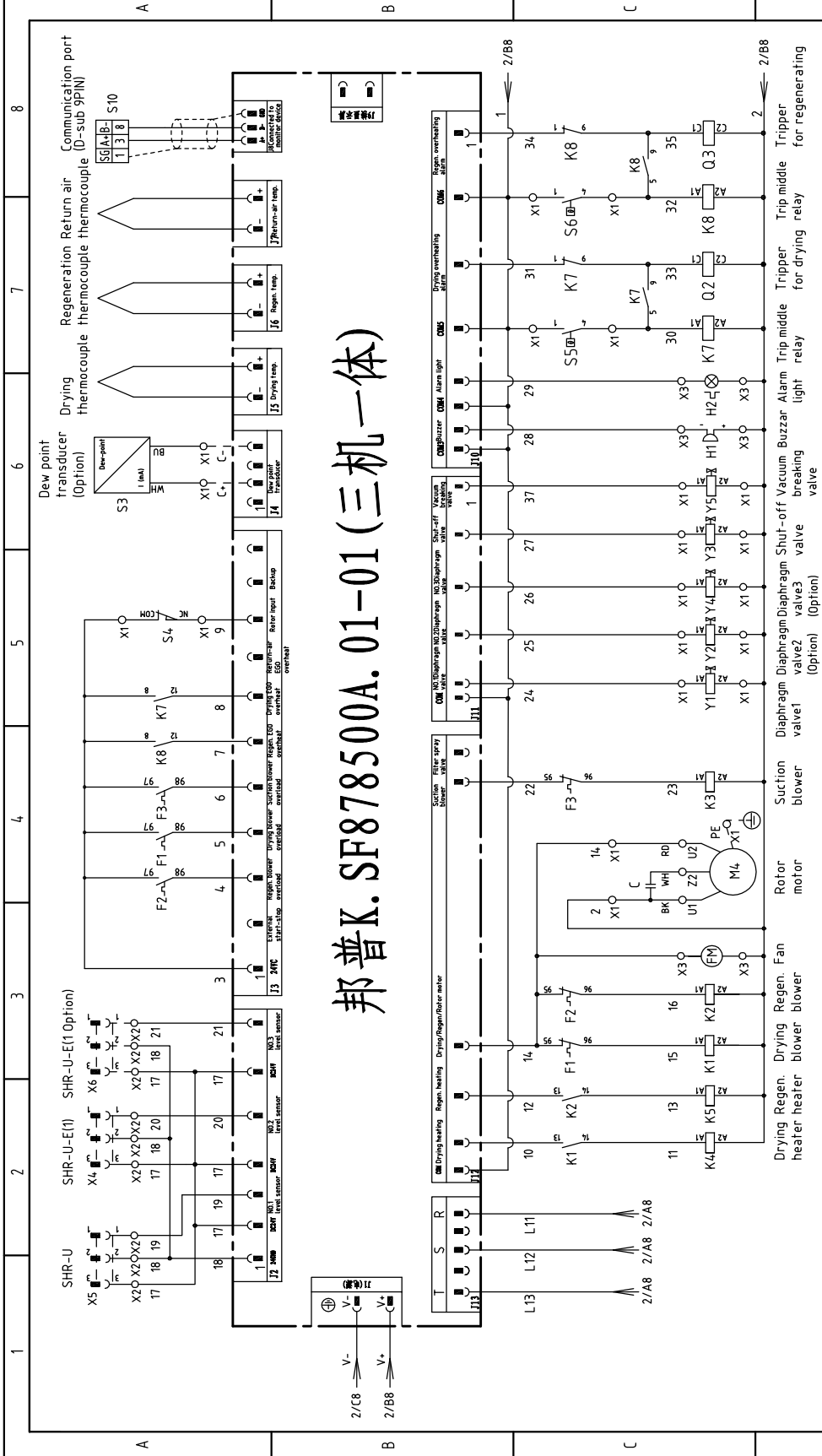
整機版本Ver.D

Title		Drawing NO.		Scale	Page
SCD-230U/120H		SCD-230U/120H-PUMP-CE-400V-F-2		Standard	Totally 6
Main Circuit Diagram 2		CE		Voltage	4.00V
SHINI 信易電熱機械股份有限公司 Shini Plastics Technologies, Inc.		Frequency		50HZ	8
Version	F	Approved by	Date	20170821	4
Drawer		Proofread by	Checked by	Modify Date	3
Before modification		After modification			2
Mark					1

P=1.5kW
IN=3.5A
Suction blower

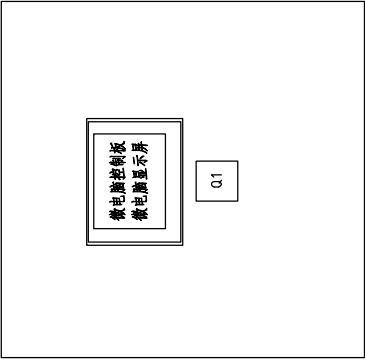
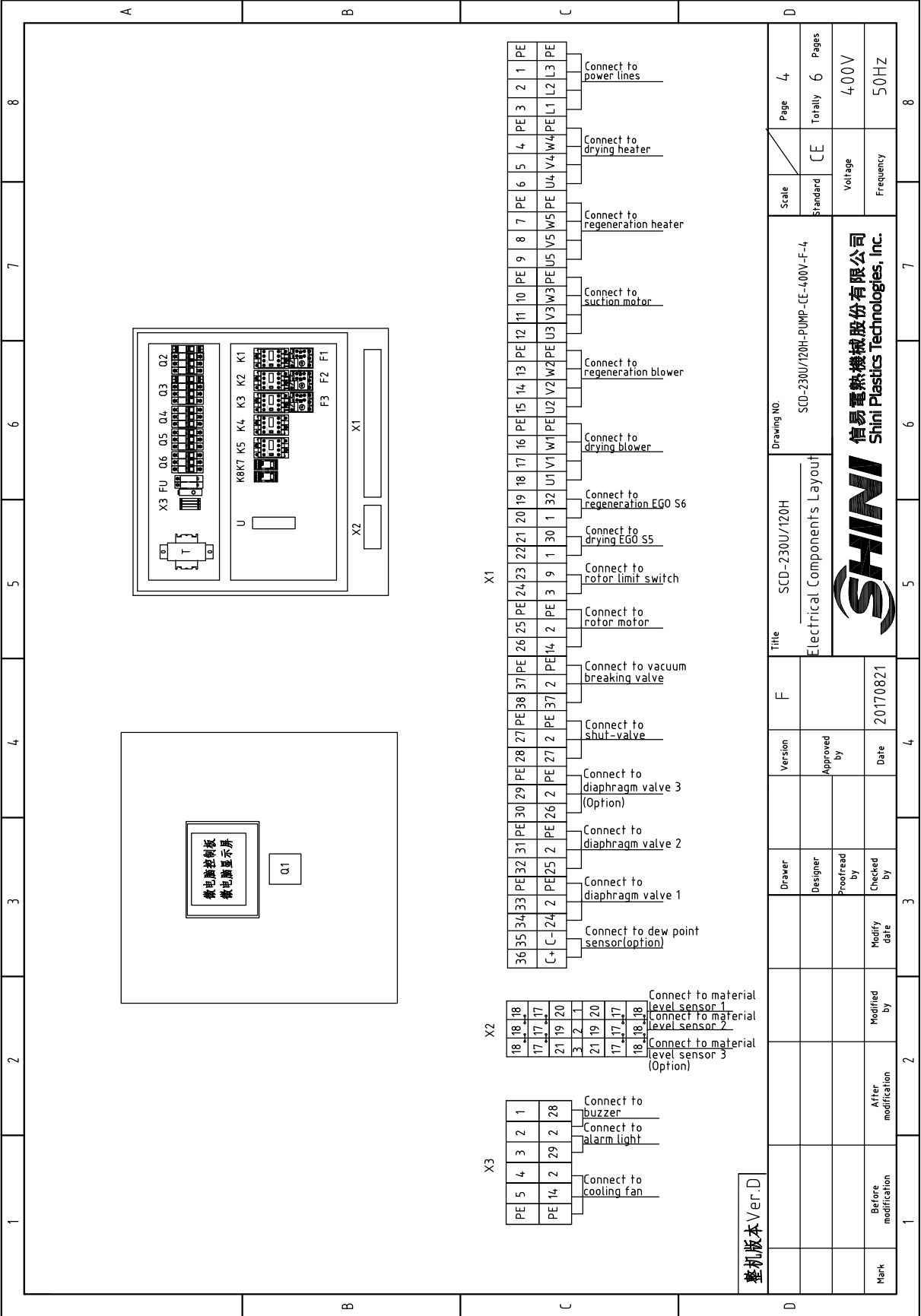
P=0.4kW
IN=1.3A
Regeneration blower

邦普K.SF878500A.01-01 (三机一体)



整机版本 Ver.D

1	2	3	4	5	6	7	8
Title		SCD-230U/120H		SCD-230U/120H-PUMP-CE-400V-F-3		Page 3	
Control Circuit Diagram		Version		F		Scale	
Designer		Approved by		Standard		CE	
Proofread by		Checked by		Voltage		400V	
Modify date		Date		Frequency		50Hz	
Mark		Before modification		After modification		Pages	
		20170821				Totally 6	
						Drawing NO.	
						SHINI	
						信易塑料机械股份有限公司	
						Shini Plastics Technologies, Inc.	
						400V	
						50Hz	



- X3 PE 5 4 3 2 1 Connect to cooling fan
- PE 14 2 29 2 28 Connect to alarm light
- 3 2 1 Connect to buzzer
- X2 18 18 17 17 20 20 17 17 18 18 Connect to material level sensor 1
- 3 2 1 Connect to material level sensor 2
- 18 18 17 17 20 20 17 17 18 18 Connect to material level sensor 3 (Option)
- X1 PE 24 23 22 21 20 19 18 17 16 15 14 13 PE 12 11 10 PE 9 8 7 PE 6 5 4 PE 3 2 1 PE
- 36 35 34 33 PE 32 31 PE 30 29 PE 28 27 PE 26 25 PE 24 23 22 21 20 19 18 17 16 15 14 13 PE 12 11 10 PE 9 8 7 PE 6 5 4 PE 3 2 1 PE
- C+ C- 24 2 PE 25 2 PE 26 2 PE 27 2 PE 28 2 PE 29 2 PE 30 2 PE 31 2 PE 32 2 PE 33 2 PE 34 2 PE 35 2 PE 36 2 PE 37 2 PE 38 2 PE 39 2 PE 40 2 PE 41 2 PE 42 2 PE 43 2 PE 44 2 PE 45 2 PE 46 2 PE 47 2 PE 48 2 PE 49 2 PE 50 2 PE 51 2 PE 52 2 PE 53 2 PE 54 2 PE 55 2 PE 56 2 PE 57 2 PE 58 2 PE 59 2 PE 60 2 PE 61 2 PE 62 2 PE 63 2 PE 64 2 PE 65 2 PE 66 2 PE 67 2 PE 68 2 PE 69 2 PE 70 2 PE 71 2 PE 72 2 PE 73 2 PE 74 2 PE 75 2 PE 76 2 PE 77 2 PE 78 2 PE 79 2 PE 80 2 PE 81 2 PE 82 2 PE 83 2 PE 84 2 PE 85 2 PE 86 2 PE 87 2 PE 88 2 PE 89 2 PE 90 2 PE 91 2 PE 92 2 PE 93 2 PE 94 2 PE 95 2 PE 96 2 PE 97 2 PE 98 2 PE 99 2 PE 100 2
- Connect to vacuum breaking valve
- Connect to shut-valve
- Connect to diaphragm valve 3 (Option)
- Connect to diaphragm valve 2
- Connect to diaphragm valve 1
- Connect to dew point sensor (option)
- Connect to rotor motor
- Connect to rotor limit switch
- Connect to drying EGO SS
- Connect to regeneration EGO S6
- Connect to drying blower
- Connect to regeneration blower
- Connect to suction motor
- Connect to regeneration heater
- Connect to drying heater
- Connect to power lines

整机版本 Ver.D

Title		Version		Designer		Proofread by		Checked by		Modify date		Before modification		After modification		Modified by		Mark	
SCD-230U/120H		F								20170821									
Drawing NO.		Scale		Page		Totally		Voltage		Frequency		Standard		CE		4.00V		50HZ	
SCD-230U/120H-PUMP-CE-400V-F-4		4		6		6		CE		4.00V		CE		4.00V		50HZ			
Electrical Components Layout		SHINI		信易塑料机械股份有限公司		Shini Plastics Technologies, Inc.													

1		2		3		4		5		6		7		8	
NO.	Symbol	Name	Manufacturer	Type	Specification	Number	Material number	Remark							
1	Q1	Main power switch	EATON	P1-25/EA/SVB	25A	1	YE10125250000								
2	Q2	Circuit-breaker	TECO	BM-63C 3P	16A	1	YE40301603000								
3	Q3 Q6	Circuit-breaker	TECO	BM-63C 3P	10A	2	YE40301003000								
4		Excitation release	TECO	MX	220V 50/60Hz	2	YE40023560000								
5	Q4 Q5	Circuit-breaker	TECO	BM-63C 3P	6A	3	YE40300603000								
6	K1 K2 K3	Contacto	SIEMENS	3RT6016-1AN21	220V 50/60Hz	3	YE00601621000								
7	K4	Contacto	SIEMENS	3RT6018-1AN21	220V 50/60Hz	1	YE00601800000								
8	K5	Contacto	SIEMENS	3RT6017-1AN21	220V 50/60Hz	1	YE00601721000								
9	K7 K8	Middle relay	WEIDMULLER	DRM270730LT	220V 50/60Hz	2	YE03270700000								
10	F1	Overload relay	SIEMENS	3RU6116-1DB0	2.2-3.2A	1	YE01160220000								
11	F2	Overload relay	SIEMENS	3RU6116-1AB0	1.1-1.6A	1	YE01160110000								
12	F3	Overload relay	SIEMENS	3RU6116-1FB0	3.5-5A	1	YE01160350000								
13	PCB	Microprocessor control board+display screen	PUMP	K.SF878500A.01-01	-----	1	YE80878500000								
14	T	Transformer	BAIYUN	BY-0407009	IN=400V OUT=230V 500mA	1	YE70402300800								
15	U	DC power	MEAN WELL	NES-35-24	OUT=DC24V 1.5A	1	YE71352400100								
16	FU1	Fuse base	CHINT	RT18-32	2P	1	YE41032200000								
17		Fuse	CHINT	10x38 500V	2A	2	YE46002000100								
18	FU2	Fuse	YINDA	FS-10	2A	1	YE41001000000								
19	S1	Reed switch	FOTEK	FC-12V	24VDC	1	----	(1)							
20	S2	Photoelectric switch	FOTEK	T18-3MNB-PE	24VDC	1	----	(1)							
21	S3	Dew-point transducer	CS	CS 217-0EM	POWER=24VDC OUT=4-20mA	1	YE90021700100	(1)(2)							
22	S4	Micro switch	TEND	----	----	1	----	(1)							
23	S5 S6	Temperature protector	EGO	WR-A-50-300-2500-3	250V 5(4)A	2	----	(1)							
24	S7,S8,S9	Thermocouple	SHINI	ST-K	K	3	----	(1)							
25	Y1,Y2,Y3,Y5	Solenoid valve	FESTO	MSFW-230-50/60	230V 50/60Hz	4	----	(1)							

整机版本 Ver.D | Notes: (1)Means it's not the material inside the control box. (2)Stands for optional.

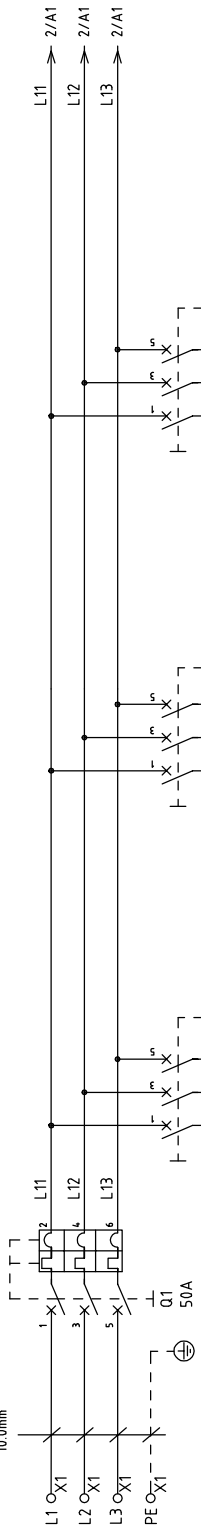
D		Drawing NO.		Title		Scale		Page	
		SCD-230U/120H		Electrical Components List 1		SCD-230U/120H-PUMP-CE-400V-F-5		CE	
		Version		F		Standard		Voltage	
		Designer		Approved by		Frequency		4.00V	
		Proofread by		Date		Page		5	
		Checked by		20170821		Totally		6	
Mark		Before modification		Modified by		Pages		4.00V	
		Modify date				Frequency		50Hz	



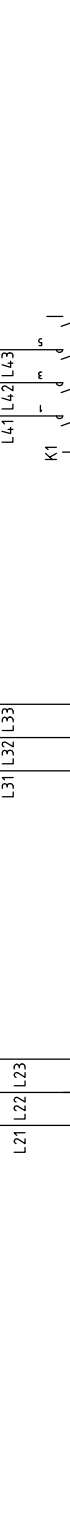
1	2		3	4	5	6	7	8
NO.	Symbol	Name	Manufacturer	Type	Specification	Number	Material number	Remark
26	Y4	Solenoid valve	FESTO	MSFW-230-50/60	230V 50/60Hz	1	----	(1)(2)
27	H1	Buzzer	SHINI	PK-35A	230V 50/60Hz	1	YE84.003500200	(1)
28	H2	Alarm indicator	SHINI	LED-3051	230V 50/60Hz	1	YE83305100200	(1)
29	X1	Terminal board	HONEYWELL	4mm ²	4.1A 690V	18	YE60000403200	A
30				4mm ² PE	-	6	YE60000403500	
31			HONEYWELL	2.5mm ²	32A 690V	16	YE60002503200	
32				2.5mm ² PE	-	5	YE60002503400	
33				2.5mm ²	32A 690V	4	YE60002503200	(2)
34				2.5mm ² PE	-	1	YE60002503400	(2)
35	X2	Terminal board	----	Spring terminals SK2.5-TL	10A 250V	2	YE60002503600	
36				Spring terminals SK2.5-TL	10A 250V	1	YE60002503600	B
37				SK-2.5TL桥接件	10A 250V	1	YE60001003600	
38	X3	Terminal board	HONEYWELL	2.5mm ²	32A 690V	5	YE60002503200	
39				2.5mm ² PE	-	1	YE60002503400	
40	X4,X5	Heavy duty connector	SIBAS	HDC-HA-004.1	4P 10A	2	YE6804.1000100	(1)
41	FM	Fan	SUNON	DP-200A	230VAC 40W	1	YM60121200400	(1)
42	M1	Blower	SHINI	-----	400V 0.75kW	1	-----	(1)
43	M2	Blower	SHINI	-----	400V 0.4kW	1	-----	(1)
44	M3	Blower	SHINI	-----	400V 1.5kW	1	-----	(1)
45	M4	Motor	----	-----	230V 0.015kW	1	-----	(1)
46	EH1	Heater	SHINI	-----	400V 6kW	1	-----	(1)
47	EH2	Heater	SHINI	-----	400V 3kW	1	-----	(1)
48	EH2	Heater	SHINI	-----	400V 4kW	1	-----	(1)
49	S10	Communication interface board RS-485 (double Dsub-9pin connector)	--	--	--	1	YE90048501200	(1)
50		Shell RS485(SAL-700G-A-1910)	--	--	--	1	YR40048500000	(1)
整机版本 Ver.D Notes: (1)Means it's not the material inside the control box. (2)Stands for optional.								
		Title			Drawing NO.		Page	
		SCD-230U/120H			SCD-230U/120H-PUMP-CE-400V-F-6		Scale	
		Electrical Components List 2					Standard	
		F					CE	
		Version					Voltage	
		Approved by					Frequency	
		Proofread by					4.00V	
		Checked by			20170821		5.0Hz	
		Modified by						
		Modify date						
Mark		Before modification			After modification			
1	2		3	4	5	6	7	8



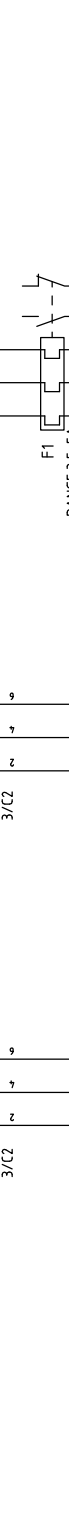
10.0mm²



3/PE/400V 50Hz



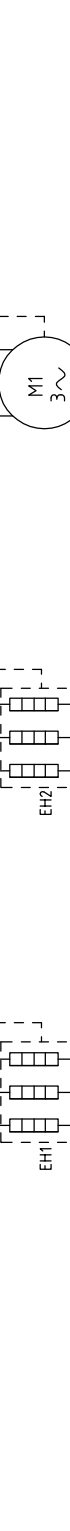
P=12kW
IN=18A
Drying heater



P=4kW
IN=6A
Regeneration heater



P=15kW
IN=35A
Drying blower



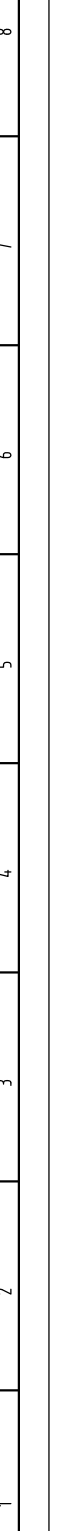
RANGE3.5-SA
SET:3.5A



3/PE/400V 50Hz



P=12kW
IN=18A
Drying heater



P=4kW
IN=6A
Regeneration heater

P=15kW
IN=35A
Drying blower

3/PE/400V 50Hz

P=12kW
IN=18A
Drying heater

P=4kW
IN=6A
Regeneration heater

P=15kW
IN=35A
Drying blower

3/PE/400V 50Hz

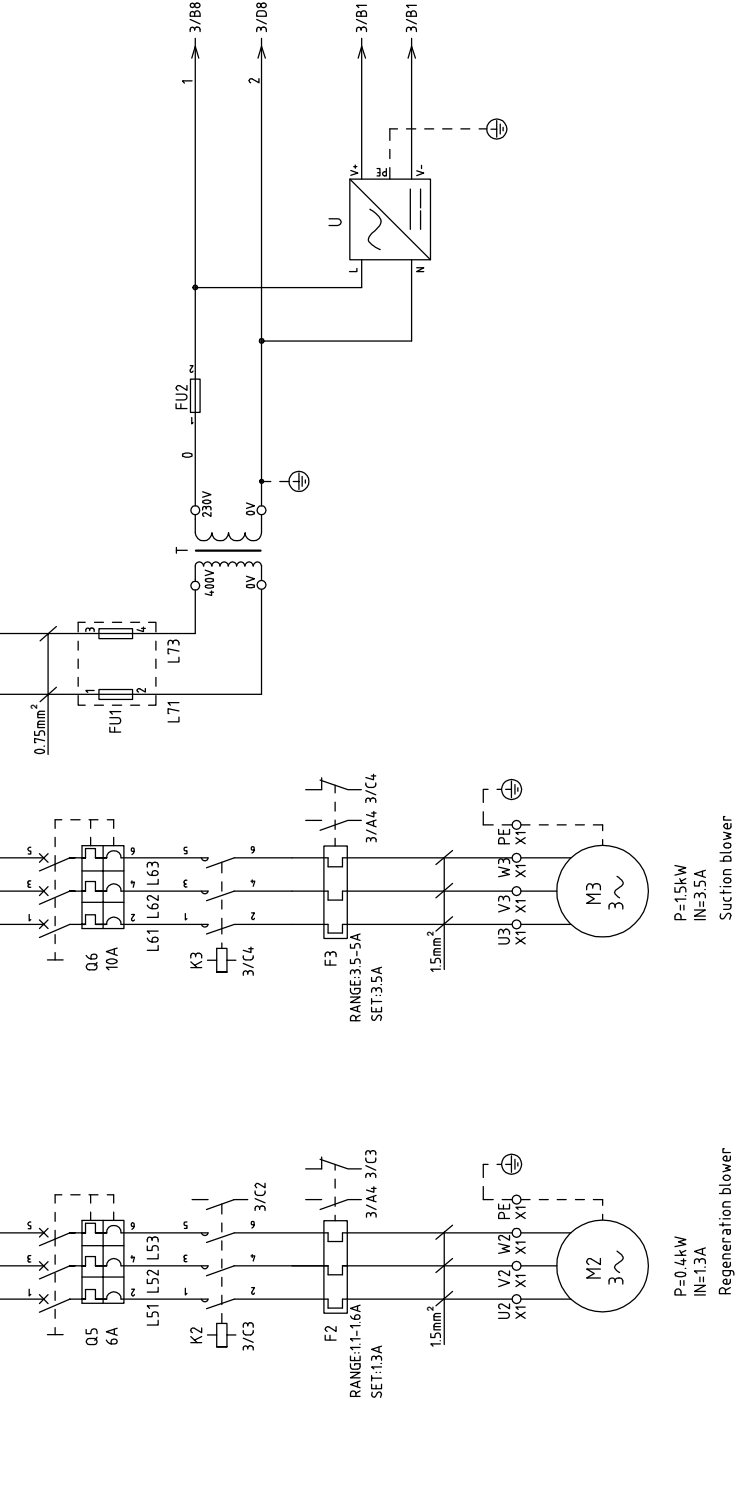
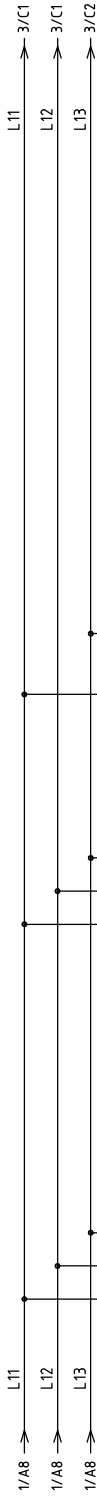
P=12kW
IN=18A
Drying heater

P=4kW
IN=6A
Regeneration heater

P=15kW
IN=35A
Drying blower

Note: Regeneration heater changed to 6kW when it is 60Hz

整机版本 Ver.D	Version	G	Title	Scale	Page 1
	Designer	Approved by	SCD-300U(450U)/200H Main Circuit Diagram 1	Standard	Totally 6
	Proofread by	Date	SCD-300U(450U)/200H-PUNP-CE-400V-G-1	Voltage	400V
	Checked by	20170620	信易塑料机械股份有限公司 Shini Plastics Technologies, Inc.	Frequency	50Hz
Mark	Before modification	Modified by			
	Modify date				

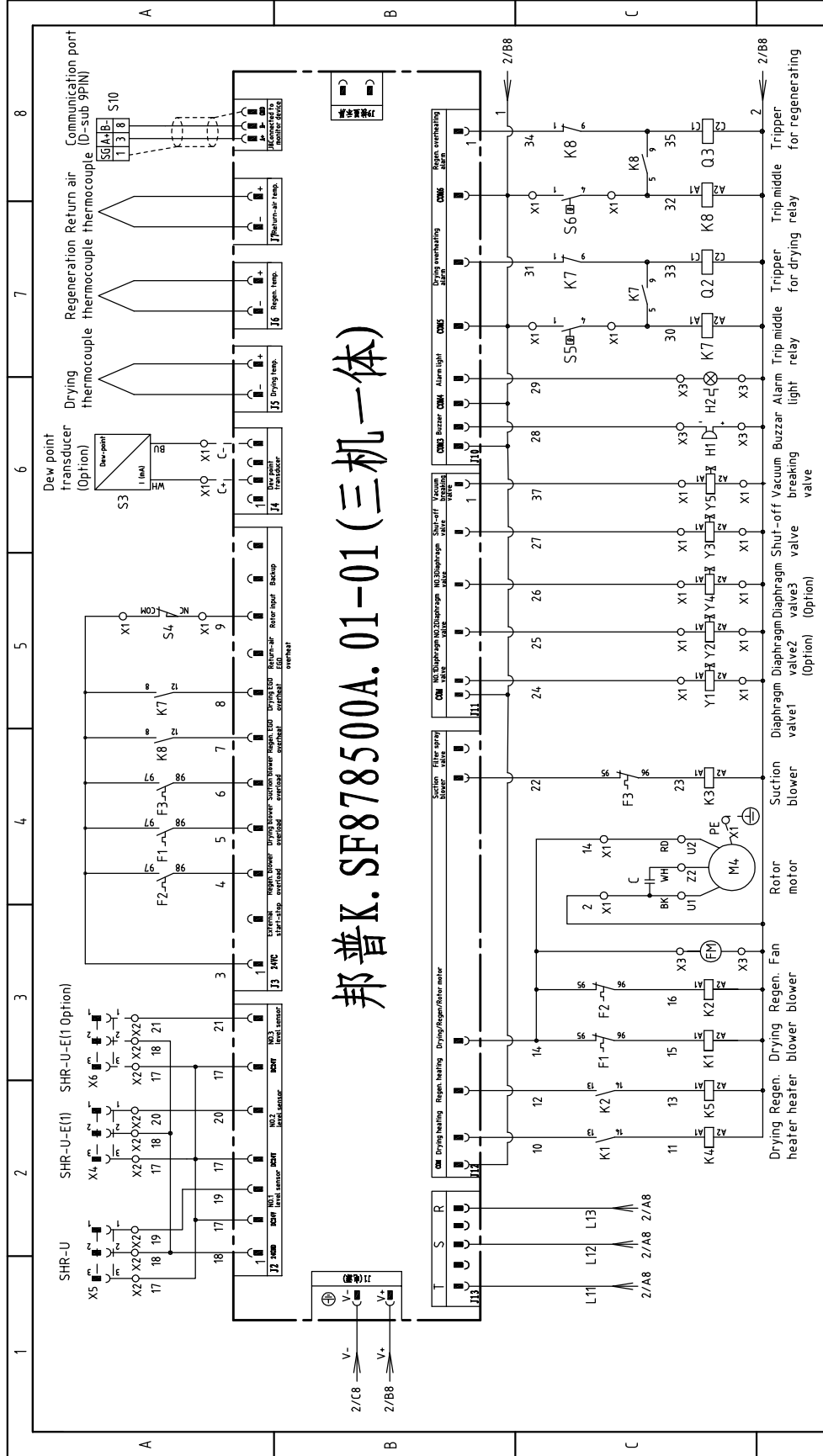


整机版本 Ver.D

Title	SCD-300U(4.50U)/200H		Drawing NO.	Scale	Page 2			
	Main Circuit Diagram 2					Standard	Totally 6	Pages
Version	G	Approved by	Date	Voltage				
				400V				
Before modification	After modification	Modify Date	Date	Frequency				
				50Hz				
Mark	1	2	3	4	5	6	7	8



邦普K.SF878500A.01-01(三机一体)



整机版本 Ver.D


Note: When M2 is not adopted, substitute No. 24 wire for No. 25 as well as No. 26, and then connect it to diaphragm valve 1.

1	2	3	4	5	6	7	8
SHR-U		SHR-U-E(1)		SHR-U-E(1) Option		Communication port (D-sub 9PIN)	
X5		X4		X2		X1	
X2		X2		X2		X2	
17		17		17		17	
18		18		18		18	
19		19		19		19	
20		20		20		20	
21		21		21		21	
22		22		22		22	
23		23		23		23	
24		24		24		24	
25		25		25		25	
26		26		26		26	
27		27		27		27	
28		28		28		28	
29		29		29		29	
30		30		30		30	
31		31		31		31	
32		32		32		32	
33		33		33		33	
34		34		34		34	
35		35		35		35	
36		36		36		36	
37		37		37		37	
38		38		38		38	
39		39		39		39	
40		40		40		40	
41		41		41		41	
42		42		42		42	
43		43		43		43	
44		44		44		44	
45		45		45		45	
46		46		46		46	
47		47		47		47	
48		48		48		48	
49		49		49		49	
50		50		50		50	
51		51		51		51	
52		52		52		52	
53		53		53		53	
54		54		54		54	
55		55		55		55	
56		56		56		56	
57		57		57		57	
58		58		58		58	
59		59		59		59	
60		60		60		60	
61		61		61		61	
62		62		62		62	
63		63		63		63	
64		64		64		64	
65		65		65		65	
66		66		66		66	
67		67		67		67	
68		68		68		68	
69		69		69		69	
70		70		70		70	
71		71		71		71	
72		72		72		72	
73		73		73		73	
74		74		74		74	
75		75		75		75	
76		76		76		76	
77		77		77		77	
78		78		78		78	
79		79		79		79	
80		80		80		80	
81		81		81		81	
82		82		82		82	
83		83		83		83	
84		84		84		84	
85		85		85		85	
86		86		86		86	
87		87		87		87	
88		88		88		88	
89		89		89		89	
90		90		90		90	
91		91		91		91	
92		92		92		92	
93		93		93		93	
94		94		94		94	
95		95		95		95	
96		96		96		96	
97		97		97		97	
98		98		98		98	
99		99		99		99	
100		100		100		100	
101		101		101		101	
102		102		102		102	
103		103		103		103	
104		104		104		104	
105		105		105		105	
106		106		106		106	
107		107		107		107	
108		108		108		108	
109		109		109		109	
110		110		110		110	
111		111		111		111	
112		112		112		112	
113		113		113		113	
114		114		114		114	
115		115		115		115	
116		116		116		116	
117		117		117		117	
118		118		118		118	
119		119		119		119	
120		120		120		120	
121		121		121		121	
122		122		122		122	
123		123		123		123	
124		124		124		124	
125		125		125		125	
126		126		126		126	
127		127		127		127	
128		128		128		128	
129		129		129		129	
130		130		130		130	
131		131		131		131	
132		132		132		132	
133		133		133		133	
134		134		134		134	
135		135		135		135	
136		136		136		136	
137		137		137		137	
138		138		138		138	
139		139		139		139	
140		140		140		140	
141		141		141		141	
142		142		142		142	
143		143		143		143	
144		144		144		144	
145		145		145		145	
146		146		146		146	
147		147		147		147	
148		148		148		148	
149		149		149		149	
150		150		150		150	
151		151		151		151	
152		152		152		152	
153		153		153		153	
154		154		154		154	
155		155		155		155	
156		156		156		156	
157		157		157		157	
158		158		158		158	
159		159		159		159	
160		160		160		160	
161		161		161		161	
162		162		162		162	
163		163		163		163	
164		164		164		164	
165		165		165		165	
166		166		166		166	
167		167		167		167	
168		168		168		168	
169		169		169		169	
170		170		170		170	
171		171		171		171	
172		172		172		172	
173		173		173		173	
174		174		174		174	
175		175		175		175	
176		176		176		176	
177		177		177		177	
178		178		178		178	
179		179		179		179	
180		180		180		180	
181		181		181		181	
182		182		182		182	
183		183		183		183	
184		184		184		184	
185		185		185		185	
186		186		186		186	
187		187		187		187	
188		188		188		188	
189		189		189		189	
190		190		190		190	
191		191		191		191	
192		192		192		192	
193		193		193		193	
194		194		194		194	
195		195		195		195	
196		196		196		196	
197		197		197		197	
198		198		198		198	
199		199		199		199	
200		200		200		200	
201		201		201		201	
202		202		202		202	
203		203		203		203	
204		204		204		204	
205		205		205		205	
206		206		206		206	
207		207		207		207	
208		208		208		208	
209		209		209		209	
210		210		210		210	
211		211		211		211	
212		212		212		212	
213		213		213		213	
214		214		214		214	
215		215		215		215	
216		216		216		216	
217		217		217		217	
218		218		218		218	
219		219		219		219	
220		220		220		220	
221		221		221		221	
222							

1	2		3	4	5	6	7	8
NO.	Symbol	Name	Manufacturer	Type	Specification	Number	Material number	Remark
1	Q1	Breaker interlock	ABB	A1A125TMF50	50A	1	YE41105200000	
2	Q2	Circuit-breaker	TECO	BM-63C 3P	32A	1	YE40303203000	
3	Q3	Circuit-breaker	TECO	BM-63C 3P	16A	1	YE40301603000	A
4		Excitation release	TECO	MX	220V 50/60Hz	2	YE40023560000	
5	Q4,Q6	Circuit-breaker	TECO	BM-63C 3P	10A	2	YE40301003000	
6	Q5	Circuit-breaker	TECO	BM-63C 3P	6A	1	YE40300603000	
7	K1,K2,K3	Contactor	SIEMENS	3RT6016-1AN21	220V 50/60Hz	3	YE00601621000	
8	K4	Contactor	SIEMENS	3RT6027-1AN20	220V 50/60Hz	1	YE00602722000	
9	K5	Contactor	SIEMENS	3RT6018-1AN21	220V 50/60Hz	1	YE00601800000	
10	K7,K8	Middle relay	WEIDMULLER	DRM270730LT	220V 50/60Hz	2	YE03270700000	
11	F1,F3	Overload relay	SIEMENS	3RU6116-1FB0	3.5-5A	2	YE01160350000	B
12	F2	Overload relay	SIEMENS	3RU6116-1AB0	1.1-1.6A	1	YE01160110000	
13	PCB	Microprocessor control board+display screen	PUMP	K.SF878500A.01-01	-----	1	YE80878500000	
14	T	Transformer	BAIYUN	BY-0407009	IN=400V OUT=230V 500mA	1	YE70402300800	
15	U	DC power	MEAN WELL	NES-35-24	OUT=DC24V 1.5A	1	YE71352400100	
16	FU1	Fuse base	CHINT	RT18-32	2P	1	YE41032200000	
17		Fuse	CHINT	10x38 500V	2A	2	YE46002000100	
18	FU2	Fuse	YINDA	FS-10	2A	1	YE41001000000	
19	S1	Reed switch	FOTEK	FC-12V	24VDC	1	----	(1)
20	S2	Photoelectric switch	FOTEK	T18-3MNB-PE	24VDC	1	----	(1)
21	S3	Dew-point transducer	CS	CS 217-OEM	POWER=24VDC OUT=4-20mA	1	YE90021700100	(1)(2)
22	S4	Micro switch	TEND	----	----	1	----	(1)
23	S5,S6	Temperature protector	EGO	WR-A-50-300-2500-3	250V 5(4)A	2	----	(1)
24	S7,S8,S9	Thermocouple	SHINI	ST-K	K	3	----	(1)
25	Y1,Y2	Solenoid valve	FESTO	MSFW-230-50/60	230V 50/60Hz	2	----	(1)
整机版本 Ver.D Notes: (1)Means it's not the material inside the control box. (2)Stands for optional.								
				Version	G	Title		Drawing NO.
				Designer		SCD-3000(4500)/200H		Scale
				Proofread by		Electrical Components List 1		Standard
				Checked by				Voltage
				Modified by				Frequency
				Modify date	20170620			CE
				Before modification				Totally
				After modification				Page
								5
								6
								7
								8



Scale	Page
Standard	5
Voltage	4.00V
Frequency	50Hz
Totally	6
Pages	

1		2		3		4		5		6		7		8	
NO.	Symbol	Name	Manufacturer	Type	Specification	Number	Material number	Remark							
26	H1	Buzzer	SHINI	PK-35A	220V 50/60Hz	1	YE84003500200	(1)							
27	H2	Alarm indicator	SHINI	LED-3051	230V 50/60Hz	1	YE83305100200	(1)							
28	X1	Terminal board	HONEYWELL	10mm ²	58A 690V	3	YE60001003200								
29				10mm ² PE	-	1	YE60001003500								
30			HONEYWELL	4mm ²	41A 690V	15	YE60000403200								
31				4mm ² PE	-	5	YE60000403500								
32			HONEYWELL	2.5mm ²	32A 690V	14	YE60002503200								
33				2.5mm ² PE	-	4	YE60002503400								
34				2.5mm ²	32A 690V	6	YE60002503200	(2)							
35				2.5mm ² PE	-	2	YE60002503400	(2)							
36	X2	Terminal board	----	Spring terminals SK2.5-TL	10A 250V	3	YE60002503600								
37				FBSTB 10-ZDIK RD	10A 250V	3	YE60001000200								
38				SK-2.5TL桥接件	10A 250V	3	YE60001003600								
39	X3	Terminal board	HONEYWELL	2.5mm ²	32A 690V	5	YE60002503200								
40				2.5mm ² PE	-	1	YE60002503400								
41	X4,X5,X6	Heavy duty connector	SIBAS	HDC-HA-004.1	4P 10A	3	YE68041000100	(1)							
42	FM	Fan	SUNON	DP-200A	230VAC 40W	1	YM60121200400	(1)							
43	M1	Blower	SHINI	-----	400V 1.5kW	1	-----	(1)							
44	M2	Blower	SHINI	-----	400V 0.4kW	1	-----	(1)							
45	M3	Blower	SHINI	-----	400V 1.5kW	1	-----	(1)							
46	M4	Motor	-----	-----	230V 0.015kW	1	-----	(1)							
47	EH1	Heater	SHINI	-----	400V 12kW	1	-----	(1)							
48	EH2	Heater	SHINI	-----	400V 4kW	1	-----	(1)							
49	S10	Communication interface board RS-485 (double Dsub-9pin connector)	--	--	--	1	YE90048501200	(1)							
50		Shell RS485(SAL-700G-A-19)0	--	--	--	1	YR40048500000	(1)							
整机版本 Ver.D Notes: (1)Means it's not the material inside the control box. (2)Stands for optional.															
				Title SCD-3000(4500)/200H Electrical Components List 2		Drawing NO. SCD-3000(4500)/200H-PUMP-CE-400V-G-6		Scale Standard CE		Page 6 Totality 6		Voltage Frequency		4.00V 50Hz	
Mark		Before modification		After modification		Modify date		Checked by		Date		 信易塑料机械股份有限公司 Shini Plastics Technologies, Inc.			