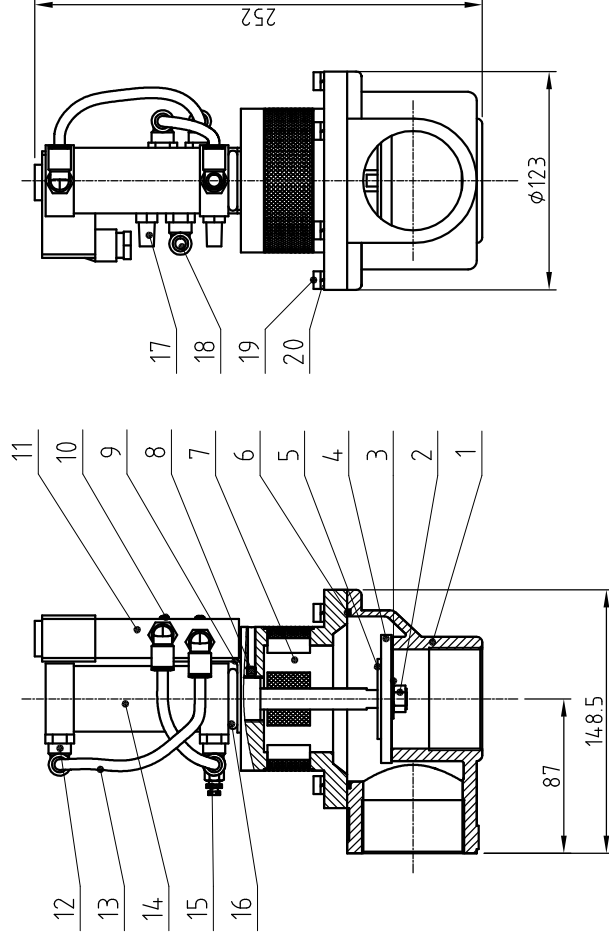


21	YW65006000000	Spring gasket 6		6
20	YW61061600300	Inner hexagon cylinder screw M6×16		6
19	YW68006600000	Set screw M6×6		1
18	YW80081800100	Air pipe quick connector APL8-1/8	Assembly	1
17	YW80010800000	Silencer BSL-01	Assembly	2
16	YR20305000000	O-type seal ring $\phi 30 \times \phi 5$	Rubber	1
15	YW80061800000	Adjustable air pipe connector ASL6-1/8	Assembly	1
14	YE31322000100	Cylinder MAL32×20-U DG260*	Assembly	1
13	YR60620000000	Air pipe $\phi 6 \times 300$	PU	1
12	YW80061800200	Air pipe quick connector APL6-1/8	Assembly	3
11	YE32421000300	Solenoid valve 4V210-06/24 VDC	Assembly	1
10	YW63042500000	Cross socket pan head screw M4×25		2
9	YW63040600000	Cross socket pan head screw M4×6		2
8	BL20380500020	Solenoid valve fixed plate	SPCC2 01	
7	BW20001500510	Upper cover	YL112	1
6	YR20258900000	O-type seal ring $\phi 89 \times \phi 2.5$	Rubber	1
5	BL90558200040	Diaphragm gasket	SPCC2 01	
4	BR10608500040	Diaphragm	Assembly	1
3	YW60822000000	Flat gasket 8		1
2	YW64000800100	Hex. lock nut M8		1
1	BW20001500710	Lower cover	YL112	1
No.	Material number	Name	Mat.	Num.

Technique requirement:
 1. Machine pneumatic working pressure 0.4-0.8MPa.

Title		SPDV-38		Drawing no.		Scale	1:4	No.	1
Vacuum breaking valve									
Mark		Before Mod.	After Mod.	Mod. by	Date	Surface req		Mat. Assembly	
						Mat. No			
						Remarks			





20	YW65006000100	Standard spring gasket GB/T93 6-Longline		6
19	YW61062500000	Inner hexagon cylinder screw GB/T70.1 M6x25-A2-70(SUS)		6
18	YW80081800100	L-type screw connector APL8-011/8-98	Assembly	1
17	YW80010800000	Copper silencer 1/8" (has mould)	Assembly	2
16	YR20305000000	O-type seal ring 30x5	Rubber	1
15	YW80061800000	Adjustable air pipe connector ASL6-1/8	Assembly	1
14	YE31323300100	CylinderMAL32x33-U-DD027B*	Assembly	1
13	YR60000600400	PU air pipe φ6 black 200M/roll	PU	1
12	YW80061800200	L-type screw connector APL6-011/8-96	Assembly	3
11	YE32421000300	Solenoid valve 4V210-06/24VDC	Assembly	1
10	YW63042500000	Cross socket pan head screw GB/T-818 M4x25-Longline		2
9	BL20380500020	Solenoid valve fixed plate SPDV-38-ALL-05	SPCC2.01	
8	YW68005500000	Inner hexagon flat end set screw GB/T777 M5x5-Longline		1
7	BW20020000210	Upper cover SVBV-50-ALL-01	Assembly	1
6	YR20259800000	Rubber O-type seal ring 2.5x98	Rubber	1
5	BL90668200040	Diaphragm gasket 56x8.2x2(SPDV-50-ALL-04)	SPCC2.01	
4	BR10718500040	Diaphragm (rubber coating) 75.8.2x4(SPDV-50-ALL-03)	Assembly	1
3	YW66082200100	Large washer C grade GB/T9681(6.4x24x2)-Longline		1
2	YW64000800100	Non-metal inserted hexagon lock nut GB/T1889.1 M8		1
1	BW20001501210	Lower cover SPDV-50-ALL-02 white	ZL101	1

Mark	Before Mod.	After Mod.	Mod. by	Date	App.	by	Date	Ver.	Title	SVBV-50	Drawing no.	Scale	1:4	No.	1	Remarks
													Surface req			
													Mat.		Assembly	
													Mat No.			



Technique requirement:
 1. Machine pneumatic working pressure 0.4-0.8MPa.
 x indicates the easy broken parts, which should be back-up.