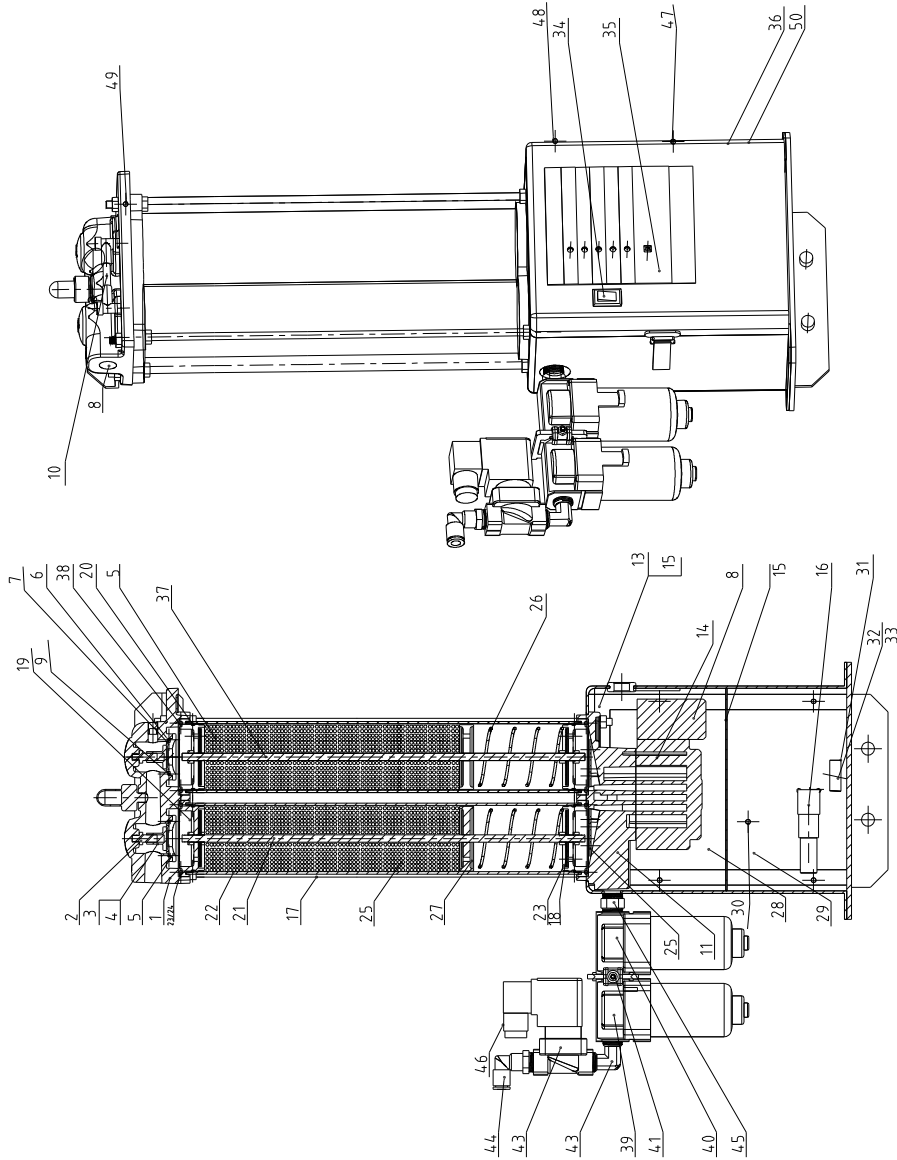


Technical requirement:
 1. Check for air tightness of compressed air connection during installation
 2. Testing requirements: inlet air flow 0.1m³/min, outlet air flow 0.086m³/min, regeneration air flow 0.014m³/min, operating pressure range 0.39-0.98Mpa, ambient temperature 2-40°C, outlet air dew point between -4.0 and -6.0°C.
 3. Voltage specification: ϕ 230VAC 50HZ

50	YW69504000000	Dome head open end blind rivet 4x10-A2-70	SUS304	8
49	YW61061200000	Inner hexagon cylinder screw M6x12-12.9	Longzine	3
48	YW69035800000	Gross recessed pan head tapping screw ST3.5x8	Longzine	7
47	YE51802340000	Power cable MG-80Z/3P/10A/250V3C black		1
46	YE67001100000	Cable lock head PG11		1
45	BH12030800110	Copper pipe coupler L 3/8" *3/8"	H62	1
44	YW80083800200	L screwed connection APL8-03 3/8- ϕ 8		1
43	YE32713100000	Solenoid valve 3/8 oil type 220VAC modelV02130-100		1
42	YW04030800100	Copper pipe coupler L 3/8" *3/8"		1
41	YW09030001500	Bar file plate(X) Y300-A	SMC	1
40	YF60503000600	Micro mist separator AFD30-03D-A	SMC	1
39	YF50300300700	Oil mist separator AFM30-03D-A	SMC	1
38	YR20553000000	O-type ring inner diameter ϕ 55 section ϕ 3		4
37	BH10016010010	Double-head screw D2	SUS304	4
36	YW66000200000	Stainless steel hinge Z	SUS	2
35	YE80018000000	Heatless operation panel		1
34	YE10129000000	Microcomputer switch 12x19		1
33	YE60000039000	Terminal fittings E/GK series(honeywell)		2
32	YE60007503200	Spring wiring terminal SH2.5		4
31	YE90660000000	Guide rail H66-TRx1		0.075
30	YW61030600100	Gross socket counter sunk head screw GB819M3x6	Longzine	8
29	YE60505400000	Heatless circuit board AF-01		1
28	BK90106600021	Sheet metal parts board AF-0106-06	Nylon	1
27	YR20106630000	Adsorption barrel HAD-0106-06-A-07	SUS304	2
26	YW01508000000	Spring ϕ 50x80 wire diameter Z		1
25	YP90040800000	Molecular sieve 4x8	IKG	2
24	YW64000600300	Hexagon nut GB/T16170M6	Longzine	22
23	YW66061200000	Flat washer A grade GB/T191.16.4.X12X161-70	SUS304	22
22	BH13016100010	Adsorption barrel	AC4D	2
21	BH10016140010	Double-head screw 01	SUS304	2
20	YR20552500100	O ring ID 51.5 OD 2.65mm	Fluororubber	8
19	YW67040600600	Gross recessed pan head tapping screw GB6560M4x6	Longzine	18
18	YP62100660000	Filter cotton HAD-0106	Sponge	0.001
17	BH13016130010	Adsorption tube sleeve HAD-0160-06-A-04	ADC12	4
16	YW90660000000	Muffler ANB1-C06	SMC	1
15	W52086000000	Reducing direct connection APGB-6	AirTAC	1
14	YE60354000000	Solenoid valve YF5310-5E	Plastic	0.22M
13	YR60000000000	PU air pipe ϕ 8x ϕ 6 black	AirTAC	1
12	YW80081400000	Screwed direct connector APC08-02 1/4- ϕ 8	T6001	1
11	BH13006180010	Lower end cover of adsorption barrel HAD-0106-06-03	H62	1
10	BH12106200010	Copper air pipe HAD-06-A-15		2
9	YW80601120000	Hex screw joint connector APH6-01	AirTAC	1
8	YF30830000000	In-line way throttle valve AS18-03 3/8- ϕ Exhaust type	Longzine	6
7	YW63040600000	Gross recessed pan head screw GB71818M4x6	Longzine	6
6	YR20236200000	O ring ID 23.6 thickness 2.65 V	Fluororubber	2
5	BH13016500010	Air inlet positioning plate HAD-0160-06-A-22	CPC110	2
4	BH12010660010	Copper inner sleeve of check valve	H62	2
3	BH12168900040	Check valve HAD with insulator		2
2	BH10010600010	Valve sleeve DAD-0106-06-A-01	SUS304	2
1	BH13016100010	Upper end cover of adsorption barrel HAD-0106-06-A-12		1

No.	Material number	Name	Scale	1:4	Material	Surface req
Drawing NO. HAD-0206-06-A-LL						
Assembly drawing						
Version	C	Title	HAD-0206-06-A-LL			
Drawer	Designer	Approved by				
Modify date	Modify by	Checked by				
Mark	Before modification	After modification	Date	20200901		





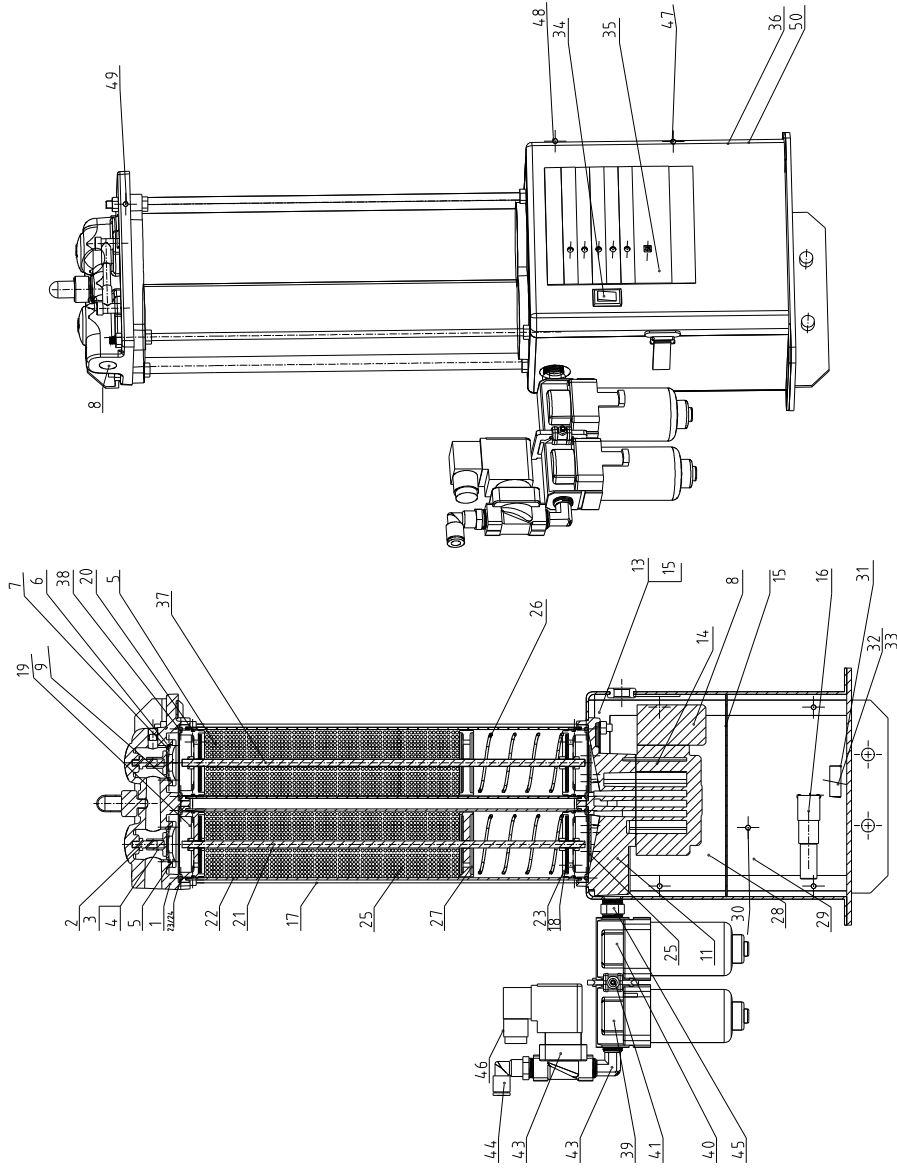
Technical requirement:
 1 Check for air tightness of compressed air connection during installation
 2 Testing requirements: inlet air flow 0.1m³/min, outlet air flow 0.086m³/min, Regeneration air flow 0.014m³/min, operating pressure range 0.39-0.98Mpa, ambient temperature 2-40℃, outlet air dew point between -4.0 and -60℃.
 3 Voltage specification: 1φ 230VAC 50HZ

50	YW69050400000	Dome head open end blind rivet 4×10-A2-70	SUS304	8
49	YW61061200000	Inner hexagon cylinder screw M6×12-12.9	Longzine	3
48	YW69035800000	Gross recessed pan head tapping screw ST3.5×8	Longzine	7
47	YE51802340000	Power cable MG-80Z3P/10A/250V3C black		1
46	YE67001100000	Cable lock head PG11		1
45	BH120308800110	Copper pipe coupler L 3/8"×3/8"	H62	1
44	YW08083800200	L screwed connection APLB-03 3/8-φ8		1
43	YE32713100000	Solenoid valve 3/8 oil type 220VAC model VXD2130-100		1
42	YW04030800200	Copper pipe coupler L 3/8"×3/8"		1
41	YW09030001500	Baffle plate IX Y300-A	SMC	1
40	YF50300300600	Micro mist separator AFD30-03D-A	SMC	1
39	YF50300300700	Oil mist separator AFD30-03D-A	SMC	1
38	YR20553000000	O-Type ring inner diameter φ55 sectionφ3		4
37	BH10016010010	Double-head screw D2	SUS304	4
36	YW06002000000	Stainless steel hinge Z"	SUS	2
35	YE80011800000	Heatless operation panel		1
34	YE10129000000	Microcomputer switch 12×19		1
33	YE60000003900	Terminal fittings E7/GK series(honeywell)		2
32	YE60002503200	Spring wiring Terminal SH2.5		4
31	YE90660100000	Guide rail H66-TR×1		0.075
30	YW61030600100	Gross socket counter sunk head screw GB819M3×6	Longzine	8
29	YE60505400000	Heatless circuit board AF-01		1
28	BK90106600021	Sheet metal parts HAD-0106-06		1
27	YR20106630000	Adsorption barrel HAD-0106-06-A-07	Nylon	2
26	YW01508000000	Spring φ50×80 wire diameter Z	SUS304	2
25	YP90040800000	Molecular sieve 4,×8	HG	1KG
24	YW64000600300	Hexagon nut GB/T6170M6	Longzine	22
23	YW66061200000	Flat washer A grade GB/T197.116.4×12X1.61-70	SUS304	22
22	BH13016100010	Adsorption barrel	ACLD	2
21	BH10016140010	Double-head screw 01	SUS304	2
20	YR20552500100	O ring ID515 OD2.65mm	Fluororubber	4
19	YW67040600600	Gross recessed pan head tapping screw GB6560M4×6	Longzine	18
18	YP62100660000	Filter cotton HAD-0106	Sponge	0.001
17	BH13016130010	Adsorption tube sleeve HAD-0160-06-A-04	ADC12	4
16	YW90660000000	Muffler ANB1-C06	SMC	1
15	YW52086000000	Reducing direct APG8-6	AirTAC	1
14	YE60354000000	Solenoid valve YFS310-5E	Plastic	0.22M
13	YR60000800000	PU air pipe φ8×φ6 black		1
12	YW80081400000	Screwed direct connector APC08-02 1/4-φ8	AirTAC	1
11	BH12006180010	Lower end cover of adsorption barrel HAD-0106-06-03	T6001	1
10	BH12106200010	Copper air pipe HAD-06-A-15	H62	2
9	YW80601120000	Hex screw joint connector APH6-01		2
8	YE30830000000	One way throttle valve AS18-03 3/8-φ8 Exhaust type	AirTAC	1
7	YW63040600000	Gross recessed pan head screw GB718H4×6	Longzine	6
6	YR20226200000	O ring ID 23.6 thickness 2.65v	Fluororubber	2
5	BH13016500010	O ring ID 23.6 thickness 2.65v	CPCC10	2
4	BH12010660010	Copper inner sleeve of check valve	H62	2
3	BH12168900040	Check valve HAD with insulator		2
2	BH10010600010	Valve sleeve DAD-0106-06-A-01	SUS304	2
1	BH13016170010	Upper end cover of adsorption barrel HAD-0106-06-A-12		1

No.	Material number	Name	Scale	1:4	Material	
Drawing No		HAD-0106-06-A-ALL				
Assembly drawing						Surface req
						First angle projection is used in this drawing

SHINI 信易塑料科技股份有限公司
 Shini Plastics Technologies, Inc.

Mark	Before modification	After modification	Modify date	Checked by	Date	20200901
Designer				Approved by		
Version	E					
Drawer						



Technical requirement:
 1. Check for air tightness of compressed air connection during installation
 2. Testing requirements: inlet air flow 0.1m³/min, outlet air flow 0.086m³/min. Regeneration air flow 0.014m³/min, operating pressure range 0.39-0.98Mpa, ambient temperature 2-40℃, outlet air dew point between -4.0 and -60℃.
 3. Voltage specification: φ 230VAC 50HZ.

50	YW69504.000000	Dome head open end blind rivet 4×10-A2-70	SUS304	8
49	YW610612000000	Inner hexagon cylinder screw M6×12-12.9	Longzine	3
48	YW690358000000	Cross recessed pan head tapping screw ST3.5×8	Longzine	7
47	YE518023400000	Power cable MG-80Z/3P/10A/250V/3C black		1
46	YE670011000000	Cable lock head PG11		1
45	BH120308001010	Copper pipe coupler L 3/8"×3/8"	H62	1
44	YW800838002000	L screwed connection APL8-03 3/8-ø8		1
43	YE321213100000	Solenoid valve 3/8 oil type 220VAC model VXD2130-100		1
42	YW040308001000	Copper pipe coupler L 3/8"×3/8"		1
41	YW09030001500000	Baffle plate IX Y300-A	SMC	1
40	YF50300300600000	Micro mist separator AFD30-030-A	SMC	1
39	YF50300300700000	Micro mist separator AFM30-030-A	SMC	1
38	YR20553000000000	O-type ring inner diameter φ55 sectionφ3		4
37	BH100160100100	Double-head screw 02	SUS304	4
36	YW06002000000000	Stainless steel hinge 2"	SUS	2
35	YF80011800000000	Heatless operation panel		1
34	YE10121900000000	Microcomputer switch 12×19		1
33	YF60000003900000	Terminal fittings E/GK series(honeywell)		2
32	YF60002503200000	Spring wiring Terminal SH2.5		4
31	YF60066010000000	Guide rail H66-TR×1		0.075
30	YW61030601000000	Cross socket counter sunk head screw GB819M3×6	Longzine	8
29	YF6090504000000000	Heatless circuit board AF-01		1
28	BR90010650000021	Sheet metal parts HAD-0106-06	Nylon	2
27	YR2401065300000000	Adsorption barrel HAD-0106-06-A-07		2
26	YW04150800000000	Spring φ50×80 wire diameter 2	SUS304	2
25	YP9004080000000000	Molecular sieve 4×8	1KG	
24	YW6400060030000000	Hexagon nut GB/T6170M6	Longzine	22
23	YW6606120000000000	Flat washer A grade /197.116 4×X12X161-70	SUS304	22
22	BH130161100100	Adsorption barrel	ACLD	2
21	BH100161400100	Double-head screw 01	SUS304	2
20	YR20552500100000	O ring ID:515 OD:2.65mm	Fluorethel	4
19	YW6704060060000000	Cross recessed pan head tapping screw GB6560M4×6	Longzine	18
18	YF6210066000000000	Filter cotton HAD-0106	Sponge 0001	
17	BH130161300100	Adsorption tube sleeve HAD-0160-06-A-04	ADC12	4
16	YW9066000000000000	Muffler ANB1-C06	SMC	1
15	YW5208600000000000	Reducing direct APG8-6	AirTAC	1
14	YE6035400000000000	Solenoid valve YF5310-5E		1
13	YR6000080000000000	PU air pipe φ8×φ6 black	Plastic	0.22M
12	YW8008140000000000	Screwed direct connector APC08-02 1/4-ø8	AirTAC	1
11	BH1300161800100	Lower end cover of adsorption barrel HAD-0106-06-03	T6001	1
9	YW8060112000000000	Hex screw joint connector APH6-01		2
8	YE3083000000000000	One way throttle valve AS16-03 3/8-ø8 Exhaust type	AirTAC	1
7	YW6304060000000000	Cross recessed pan head screw GB/T188M4×6	Longzine	6
6	YR2023620000000000	O ring ID 23.6 thickness 2.65v	Fluorethel	2
5	BH1310650000100000	Air inlet positioning plate HAD-0160-06-A-22	CPC110	2
4	BH1201066000100000	Copper inner sleeve of check valve	H62	2
3	BH1216890000400000	Check valve HAD with insulator	H62	2
2	BH1001065000100000	Valve sleeve DAD-0106-06-A-01	SUS304	2
1	BH1301610000100000	Upper end cover of adsorption barrel HAD-0106-06-A-12		1

Mark	Before modification	After modification	Modified by	Modify date	Checked by	Prepared by	Designer	Drawer	Version	C	Title	Drawing NO	Scale	1:4	Num	1
				20200901							HAD-0356-06	HAD-0356-06-A-ALL	Material	Material		
													Surface req	Surface req		
													First angle projection is used in this drawing	First angle projection is used in this drawing		

