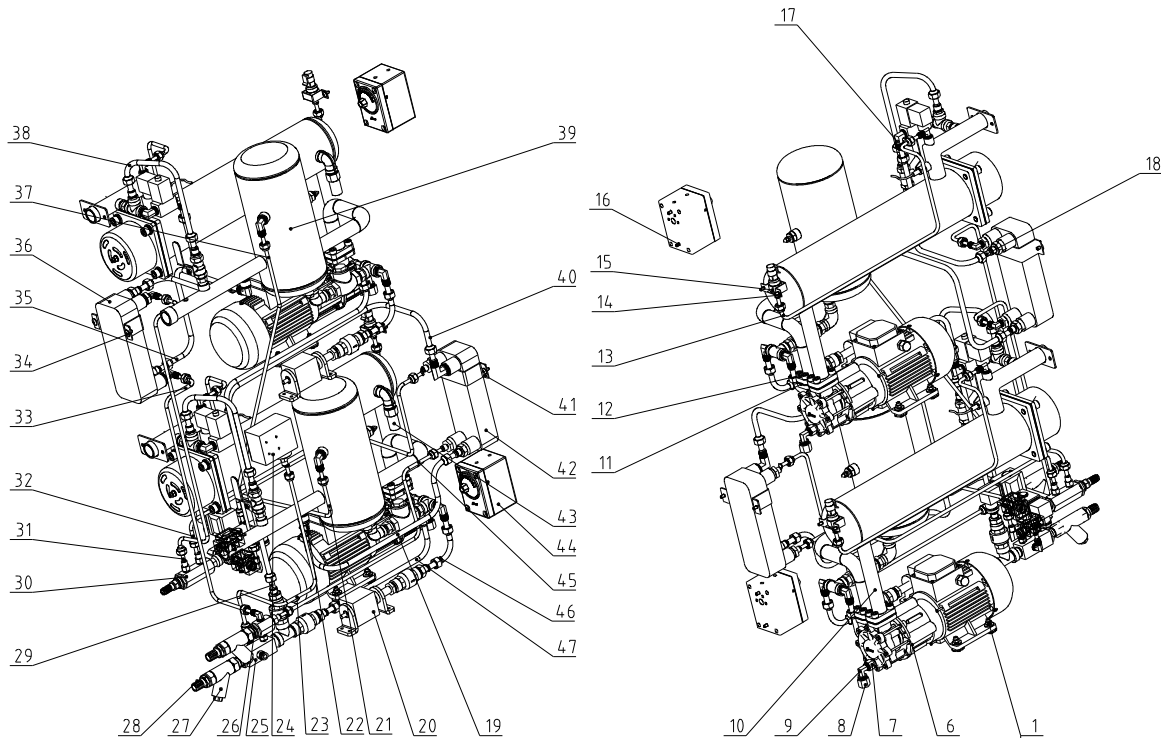


泵浦最大压力(bar) Pump Max Pressure (bar)	泵浦最大流量(L/min) Max. pump Flow(L./min)	泵浦功率(kW) Pump Power(kW)	加热器功率(kW) Heater Power(kW)	最高温度 Max. Temp.	重量(kg) Weight (kg)	版本号 Ver.
4.8×2	25.5×2	0.55×2	6×2	180°C	146	H

进出口尺寸规格(英寸) Inlet /Outlet Size (CE PT inner thread (inch))	冷却方式 Cooling Method	副水箱容量(L) Sub water tank capacity (L)	加热罐数量 Heating Tank Qty
2/2	间接冷却 Indirect Cooling	1.4×2	2

2	STM-607PW-D-B-ALL	内部结构 Internal structure		1	
1	STM-1220PW-D-A-ALL	外部钣金 External sheet metal		1	
序号	代号	名称	材质	数量	备注

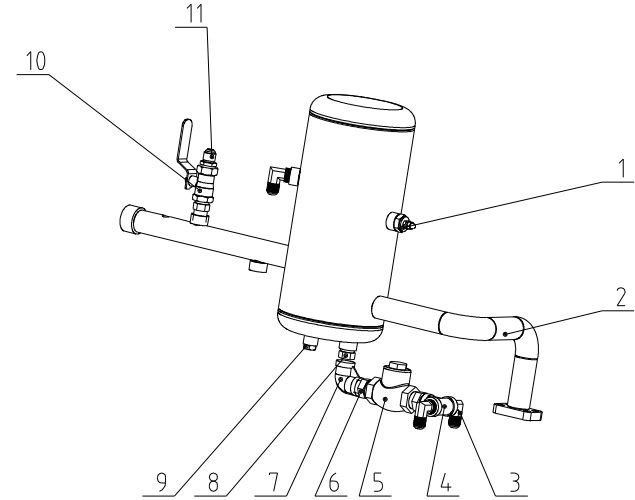
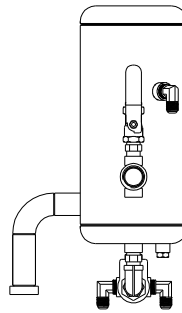
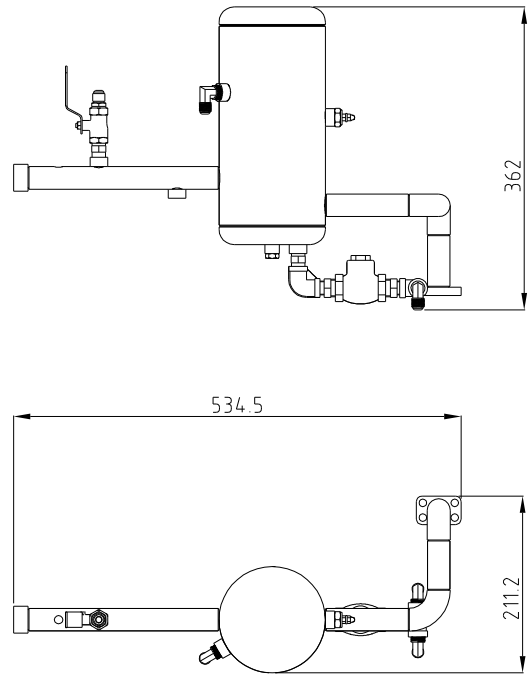
					制图	版号	标题 STM-607PW-D	图号	比例	数量
					设计	核准	双段高温水式模温机		材质	
					校对		<b>信易电热机械股份有限公司</b> Shini Plastics Technologies, Inc.	表面要求		
标记	更改前	更改后	更改人	日期	审核	日期				物料号



47	STM-1220PW-D-B-08	Water refilling pipe 1	TP2	1	
46	STM-1220PW-D-B-07	Piston pump water refilling pipe	TP2	2	
45	STM-1220PW-D-B-13	Lower plate exchange cooling water inlet pipe	TP2	1	
44	BH90115000250	hex nut G1/2" x 1.5" L=25mm	TP2	2	
43	BY90202200110	hex nut size 1/2" x 1.5" L=110mm	TP2	2	
42	STM-1220PW-D-B-25	Lower plate exchange	/	1	
41	STM-607PW-B-20	Plate exchange fixed plate	/	2	
40	STM-1220PW-D-B-11	Lower plate exchange hot water inlet pipe	TP2	1	
39	STM-607PW-D-B-04	Return water pipe assembly	TP2	2	
38	STM-1220PW-D-B-18	Hot water bypass	TP2	2	
37	STM-1220PW-D-B-15	Pressure release pipe 2	TP2	1	
36	STM-1220PW-D-B-26	Upper plate exchange	/	1	
35	STM-1220PW-D-B-17	Upper plate exchange hot water outlet pipe	TP2	1	
34	YW62061000000	hex nut the hot water G1/2" L=10mm	TP2	2	
33	STM-1220PW-D-B-19	Upper plate exchange cooling water inlet pipe	TP2	1	
32	STM-1220PW-D-B-14	Lower plate exchange cooling water outlet pipe	TP2	1	
31	STM-1220PW-D-B-20	Upper plate exchange cooling water outlet pipe	TP2	1	
30	STM-1220PW-D-B-06	Discharge connector parts	/	1	
29	STM-1220PW-D-B-09	Water refilling pipe 2	TP2	1	
28	BH12121600010	Copper plug 1/2" PT=16(S-13)	TP2	1	
27	YW57010200000	Pipe fitting size 1/2" PT=10mm copper nut of 10	TP2	1	
26	STM-1220PW-D-B-24	Cooling water inlet connector assembly	/	1	
25	STM-1220PW-D-B-05	Water refilling connector assembly	/	1	
24	YE90000800000	hex nut G1/2" x 1.5" L=80mm	/	1	
23	STM-1220PW-D-B-21	Low pressure pipe	TP2	1	
22	BH12030800610	hex pipe nut G1/2" x 1.5" L=61mm	TP2	1	
21	STM-1220PW-D-B-10	pressure release pipe 1	TP2	1	
20	STM-607PW-F-ALL	Piston pump water refilling assembly	TP2	2	
19	STM-1220PW-D-B-12	Lower plate exchange hot water outlet pipe	TP2	1	
18	STM-1220PW-D-B-16	Upper plate exchange hot water inlet pipe	TP2	1	
17	YW04030800600	hex pipe connector G1/2" x 1.5" L=60mm	TP2	3	
16	YW62051000100	hex nut the hot water G1/2" L=10mm	Q235A	20	
15	YE15200000500	hex nut G1/2" x 1.5" L=50mm		2	
14	STM-1220PW-D-B-23	Pressure transmitter fixed plate	SPCC1.5	2	
13	STM-1220PW-D-B-22	Pressure transmitter connection pipe	TP2	2	
12	YW61082001200	hex pipe fitting size G1/2" x 1.5" L=120mm	TP2	16	
11	YR10551500000	Flange gasket MP-55-A-15	ISO-68	4	
10	STM-607PW-D-B-03	Heating Tank assembly	H58	2	
9	YW04030800400	hex pipe connector G1/2" x 1.5" L=40mm	H58	2	
8	BH12244001610	Teflon pipe plug 3/8" S-171	H58	2	
7	BH12090705510	hex pipe nut G1/2" x 1.5" L=55mm	H58	2	
6	BM20005500550	Pipe fitting size G1/2" x 1.5" L=55mm		2	
5	YW64000600300	hex. nut G1/2" x 1.5" L=30mm	Q235A	8	
4	YW66082200100	large water G1/2" x 1.5" L=100mm	Q235A	8	
3	YW65006000100	Standard spring washer G1/2" x 1.5" L=100mm	65Mn	8	
2	YW66061800000	Large water G1/2" x 1.5" L=180mm	Q235A	8	
1	YW60062500000	hex. bolt G1/2" x 1.5" L=250mm	4.8	8	

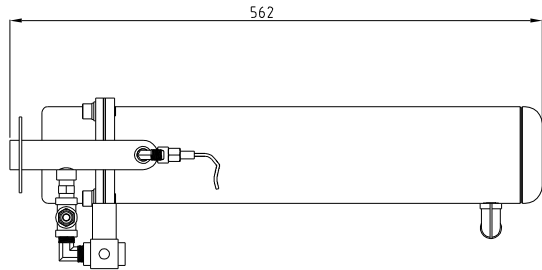
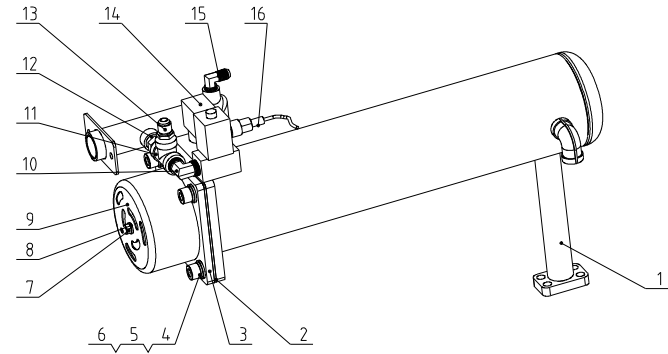
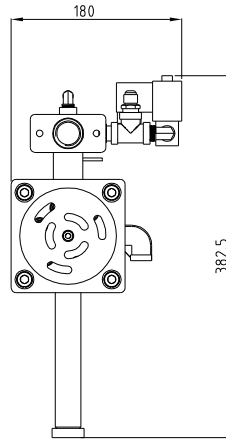
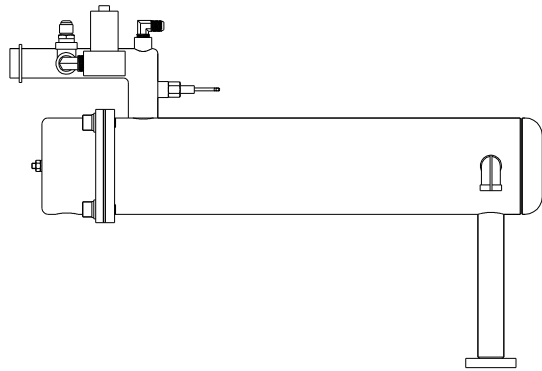
序号 代号 名称 材质 数量 备注

				制图	版号	标题	STM-607PW-D	图号			比例	数量	
				设计	核准	内部结构						材质	
				校对		 <b>信易電熱機械股份有限公司</b> Shini Plastics Technologies, Inc.				表面要求			
标记	更改前	更改后	更改人	日期	审核			日期			物料号		



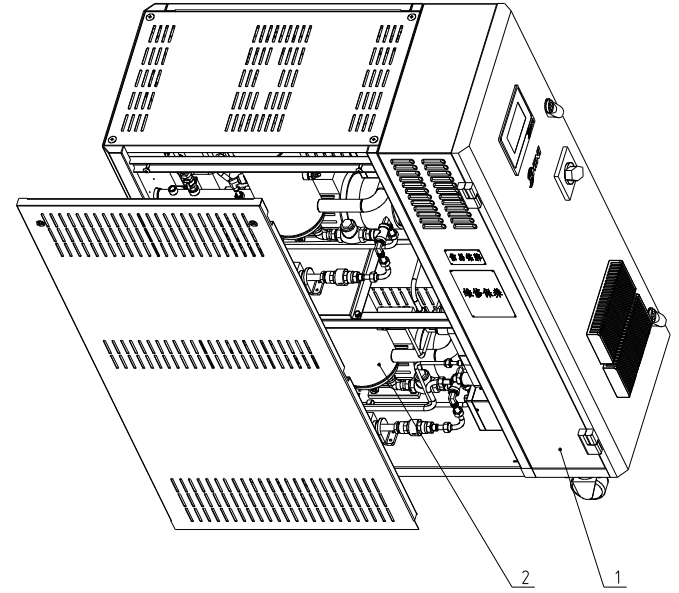
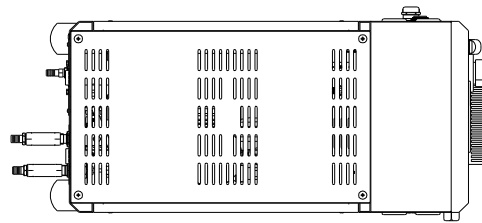
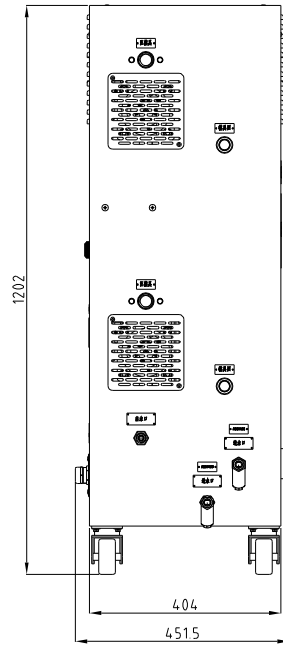
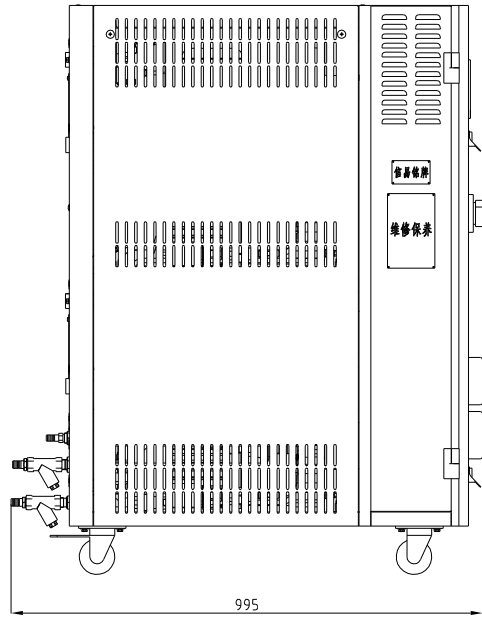
11	BH12030800610	Tonflon pipe connector 3/8"x3/8" (S degree) (draining water 5-11#)	H62	1	
10	YW50030800900	Top flange 3/8"x3/8" (S degree) (draining water 5-11#)	H58	1	
9	BH12010400710	Screw at tank bottom 1/4" PT (S-11-0)	H58	1	
8	BH12030800110	Copper pipe coupler 3/8PT*3/8PT (S-07)	H58	2	
7	YW53308000000	Stainless steel wire mouth elbow 3/8 inch (304 #)	SUS304	1	
6	BH12030800310	Copper connector 3/8" PP*1/2" PT (S-92)	H58	2	
5	YW59010200300	Swing check valve R1/2" KITZ (copper)		1	
4	YW52030800000	Stainless steel water pipe three-way 3/8" 304#	SUS304	1	
3	YW04030800300	Tonflon pipe connector 3/8 * 3/8L type	H58	3	
2	STM-607PW-D-B-02	Return water pipe		1	
1	YW09003800500	Hot lead pipe single copper 3/8"x1/2" (draining water 5-11#)		1	
序号	代 号	名 称	材 质	数 量	备 注

					制图	版号	标题	STM-607PW-D	图号	比例	数量
					设计	核	回水管组件				材质
					校对	准	<b>信易電熱機械股份有限公司</b> Shini Plastics Technologies, Inc.		表面要求		
标记	更改前	更改后	更改人	日期	审核	日期		物料号			



16	BE90342500050	Hex-nut G1/2" length 25mm		1	
15	YW04010400400	Valve pipe connector (type) 1/2 inch FN + FN inch H	H62	1	
14	YE32203000900	Sealed valve 3/4" 200-10-1500000 (for 1/2")		1	
13	BH12030800610	Valve pipe connector 20/2000000 type 1/2 inch valve F10	H62	1	
12	BH12030800110	Copper pipe connector 3/8" FN + FN (S-17)	H58	1	
11	YW52030800000	Stainless steel water pipe three-way 3/8" 304	SUS304	1	
10	YW59383800100	Pipe connector 3/8" FN + FN (type) (SUS304)	SUS304	1	
9	BL80091000120	Spacer case 1/2" 100 100 100 100 100 100	SPCC1.0	1	
8	YW66061300000	Flat washer 4 grade Q235A 16-Longline	Q235A	1	
7	YW64000600300	Hex. nut G1/2" 170 MG-Longline	Q235A	1	
6	YW61102500000	Hex hexagon spacer bolt case 1/2" 100 100 100 100	12.9	4	
5	YW65010000000	Standard spring number Q235 10-Longline	65Mn	4	
4	YW66102000100	Flat washer 4 grade Q235A 16-Longline	Q235A	4	
3	BH70060700250	Pipe holder 3/8" 100 100 copper pipe 1/2" 100 100		1	
2	YR20121200000	Flexible graphite gasket 120*120*2 mm	ISO-68	1	
1	STM-607PW-D-B-01	Heating Tank		1	
序号	代号	名称	材质	数量	备注

					制图	版号	标题	图号	比例	数量
					设计	核准	STM-607PW-D		1:1	4
					校对		加热桶组件			材质
							SHINI 信易电热机械股份有限公司 Shini Plastics Technologies, Inc.		表面要求	
标记	更改前	更改后	更改人	日期	审核	日期		物料号		

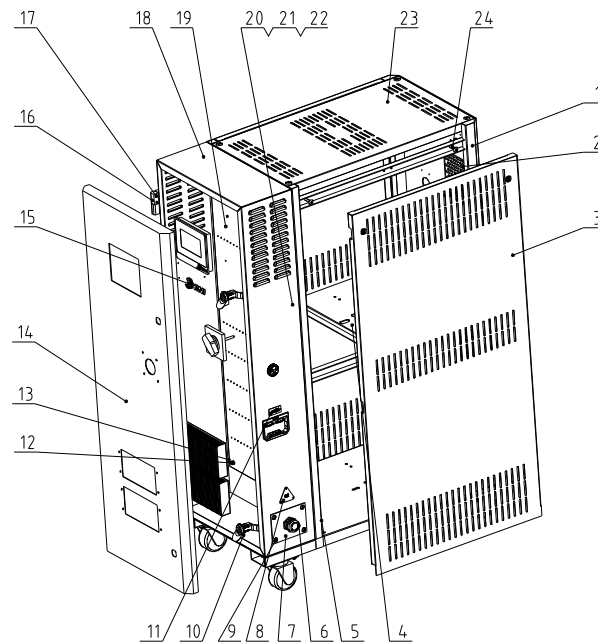
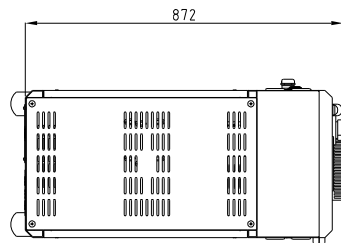
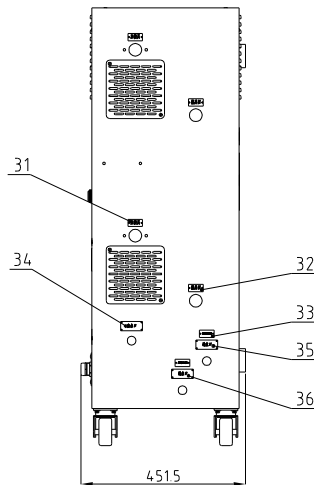
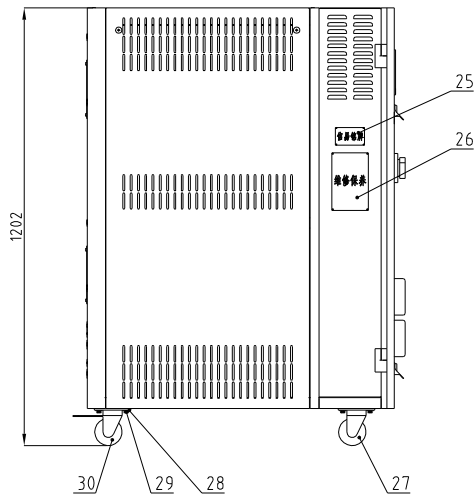


泵浦最大压力(bar) Pump Max. Pressure (bar)	泵浦最大流量(L/min) Max. pump Flow/L/min	泵浦功率(W) Pump Power(W)	电热(W) Heater Power(W)	最高温度 Max. Temp.	重量(kg) Weight (kg)	版本号 Ver.
5.8	50	1.05×2	12×2	180°C	160	E
进/出口尺寸规格PT内牙(inch) Inlet /Outlet Size CE PT inner thread (inch)		冷却方式 Cooling Method	副水箱容量(L) Sub water tank capacity (L)		加热槽容量 Heating Tank Qty	
2/2		间接冷却	1.4×2		2	

2	STM-1220PW-D-B-ALL	Internal structure		1	
1	STM-1220PW-D-A-ALL	External sheet metal		1	
序号	代号	名称	材质	数量	备注

					制图	版号
					设计	核准
					校对	
标记	更改前	更改后	更改人	日期	审核	日期

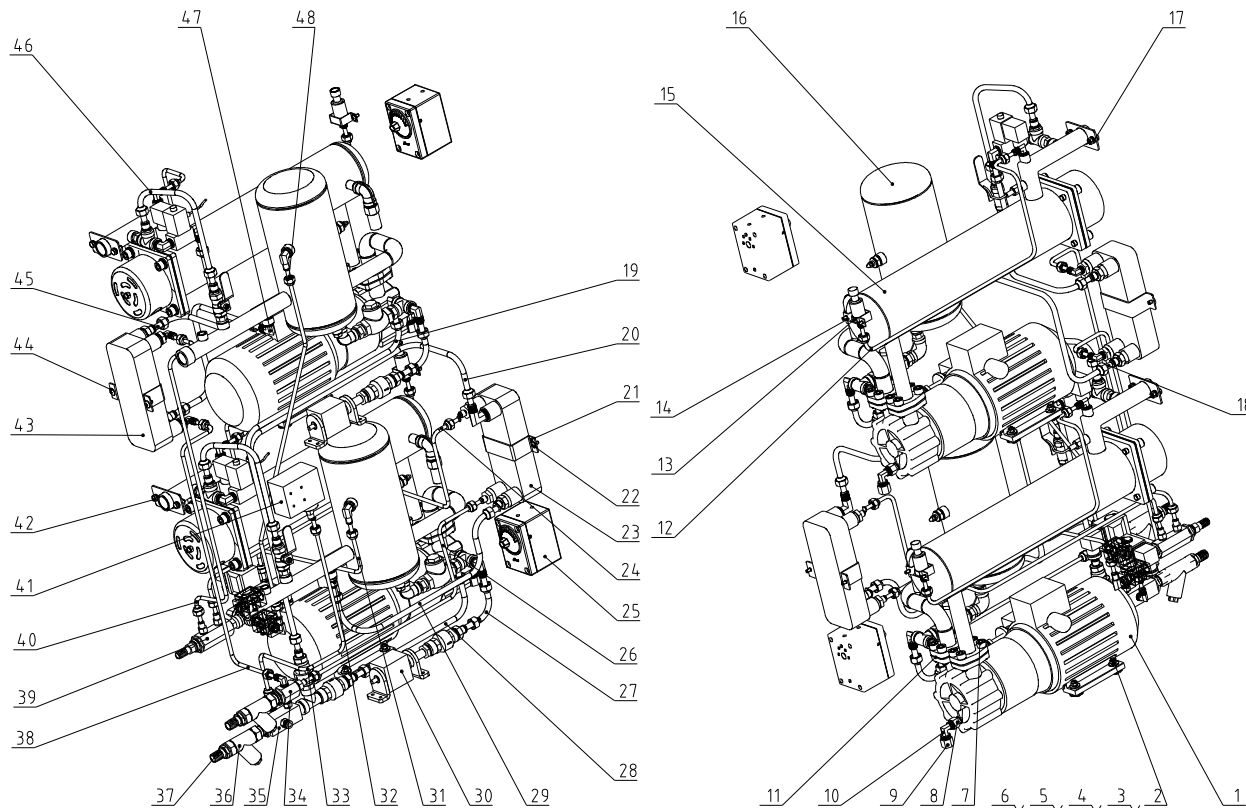
标题 STM-1220PW-D		图号		比例	数量
双段高温水式模温机				材质	/
 <b>信易电热机械股份有限公司</b> Shini Plastics Technologies, Inc.		表面要求		/	
		物料号		/	



36	YP30602500000	Purified water inlet (aluminum plate symbol version 60 × 25mm)	2024	1	
35	YP30431000000	Water inlet (aluminum plate label symbol version 60 × 25MM)	2024	1	
34	YP30430000000	Water outlet (aluminum plate label symbol version 60 × 25MM)	2024	1	
33	YP31091040000	Hex allen key (repairing the "V" type rising water filter aluminum plate label symbol version 60 × 25MM)	2024	2	
32	YP30422000000	Mold return (aluminum plate label symbol version 40 × 20MM)	2024	2	
31	YP30423000000	1/2 mold (aluminum plate label symbol version 40 × 20MM)	2024	2	
30	YW03000300000	3-inch black PPO wheel brake wheel width 22mm, base plate off (not blackened)		2	
29	YW60061500100	Hex bolt GB/T15183 M6x16-12.9-Longzine	12.9	16	
28	YW66061800000	Flat washer A grade GB/T196 1 (Longzine)		16	
27	YW03000300200	3-inch black PPO wheels with a width of 32mm and the base plate of the tripod is blackened		2	
26	YP31115800600	Mold temperature machine maintenance (aluminum plate label in Chinese and English 80 × 10mm)	2024	1	
25	YP30804900700	Aluminum Plate Nameplate (Small) Group General 80 × 4.9mm	2024	1	
24	YW62063000000	Large cross socket flat head screw JIS1111 M6x10-Longzine	Q235A	8	
23	STM-1220PW-D-A-05	cover plate	SPCC12	1	
22	YW65006000100	Standard spring washer GB/T193 6-Longzine	65Mn	20	
21	YW60061200000	Hex bolt GB/T15183 M6x12-12.9-Longzine	12.9	4	
20	YW66061300000	Flat washer A grade GB/T197 1 6-Longzine	Q235A	4	
19	STM-1220PW-D-A-04	Electric control base plate	SECC15	1	
18	STM-1220PW-D-A-02	Control box	SPCC15	1	
17	YW61051000200	Cross recessed pan head screw-H-type GB/T148 M6x15-Longzine	Q235A	12	
16	YW06203100100	Hinge (L20) 7.5x111 Shanghai brand (rated force 1300N, axial force 2200N)		2	
15	YP30802700000	Shin Trademark 100 × 3x Black Sticker Strong Adhesive 2915 Edition		1	
14	STM-1220PW-D-A-03	door plank	SPCC15	1	
13	YW62061000000	Cross socket flat-head screw JIS1111 M6x10-Longzine	Q235A	6	
12	YW64006003000	Hex nut GB/T6170 M6-Longzine	Q235A	4	
11	YP30048500000	Communication interface RS485 (aluminum plate label symbol version 40 × 20MM)	2024	1	
10	YW00816100000	Door lock(MS816-1 blk. with key)		2	
9	YW62051000100	Large cross socket flat head screw JIS1111 M6x15-Longzine	Q235A	4	
8	YP31051650000	Triangle power supply 3-phase 400V (aluminum plate label 51 × 45MM)	2024	1	
7	BL50290000020	wire fixture fixed plate PG29 (50 × 40mm (total))	SPCC2.0	1	
6	YE67361500100	Copper-nickel-plated cable joint JG-T-M36x15 Diameter 18-25		1	
5	YP30429000000	Drainage outlet (aluminum plate label symbol version 40 × 20MM (self-made))	2024	1	
4	STM-1220PW-D-A-08	Middle pump support plate	SPCC2.0	1	
3	STM-1220PW-D-A-06	side plate	SPCC12	2	
2	STM-1220PW-D-A-07	Rear panel small cover plate	SPCC12	2	
1	STM-1220PW-D-A-01	Rack		1	

制图	版号
设计	核准
校对	审核
标记	日期
更改前	更改后
更改人	日期

标题	图号	比例	数量	备注
STM-1220PW-D		1:1		
外部钣金		材质	/	
 <b>信易电热机械股份有限公司</b> <b>Shini Plastics Technologies, Inc.</b>		表面要求	/	
		物料号	/	



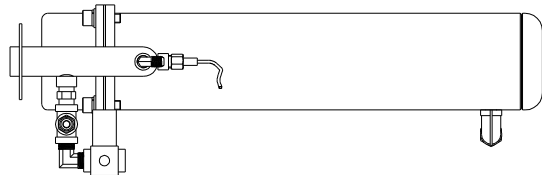
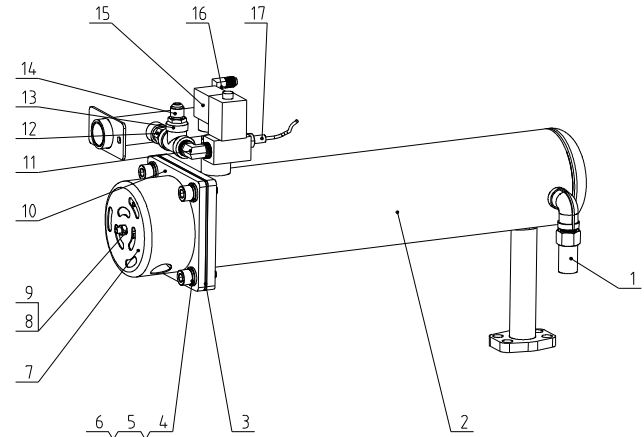
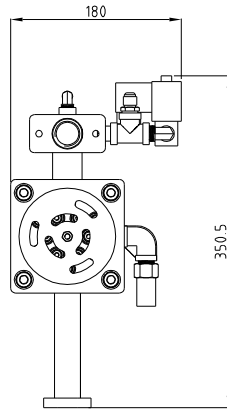
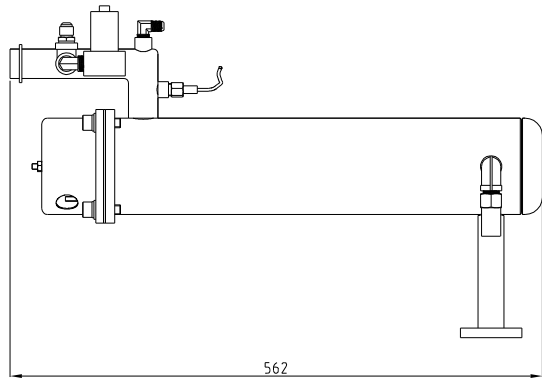
\*表示可能损坏的项目；  
请在下单采购零配件之前，先确认说明书版本号，以确保零配件物料号与实物一致。

× means possible broken parts.  
Please confirm the version of manual before placing the purchase order to guarantee that the item number of the spare part is in accordance with the real object.

48	STM-1220PW-D-B-15	Pressure relief pipe 2		1	
47	YW04030800300	Tonflon pipe connector 3/8-3/8 L-type	H58	3	
46	STM-1220PW-D-B-18	Hot water bypass		2	
45	STM-1220PW-D-B-16	Upper plate exchange hot water inlet pipe		1	
44	YW62061000000	Large cross socket flat head screw JIS1111 M6x10-Longzine		2	
43	STM-1220PW-D-B-26	Upper plate exchange		1	
42	YW60061500100	Hexagon bolt GB/T5783 M6x16-12.9-Longzine		4	
41	YE90000800000	Pressure control MP100 (1.5 bar) auto self resetting thermostat with the plate and cable		1	*
40	STM-1220PW-D-B-20	Upper plate exchange cooling water outlet pipe		1	
39	STM-1220PW-D-B-06	Discharge connector parts		1	
38	STM-1220PW-D-B-19	Upper plate exchange cooling water inlet pipe		1	
37	BH12121600010	Copper insert 1/2" PT-x16IS-133	H58	1	
36	YW57010200000	Y-shaped filtered water valve 1/2 inch PT requires a copper content of 5%	H62	1	*
35	STM-1220PW-D-B-05	Water refilling connector assembly		1	
34	STM-1220PW-D-B-24	Cooling water inlet connector assembly		1	
33	STM-1220PW-D-B-21	Low pressure pipe		1	
32	BH12030800610	Tonflon pipe connector 3/8PT-3/8Hx4.5 degrees(S-116)	H62	1	
31	STM-1220PW-D-B-10	Pressure relief pipe 1		1	
30	STM-607PW-F-ALL	Piston pump water supply assembly		2	
29	STM-1220PW-D-B-12	Lower plate exchange Hot water outlet pipe		1	
28	STM-1220PW-D-B-08	Water supply pipe 1		1	
27	STM-1220PW-D-B-07	Piston pump water supply pipe		2	
26	STM-1220PW-D-B-13	Lower plate exchange cooling water inlet pipe		1	
25	BH90115000250	Assembly E60115-320°C 5513262 909without nut		2	*
24	STM-1220PW-D-B-14	Lower plate exchange cooling water outlet pipe		1	
23	STM-1220PW-D-B-25	Lower plate exchange		1	
22	YW62051000100	Large cross socket flat head screw JIS1111 M5x10-Longzine		10	
21	STM-607PW-D-B-20	Plate exchange fixed plate	SPCC2.0	2	
20	STM-1220PW-D-B-11	Lower plate exchange hot water inlet pipe		1	
19	STM-1220PW-D-B-09	Water supply pipe 2		1	
18	STM-1220PW-D-B-17	Upper plate exchange Hot water outlet pipe		1	
17	YW66061300000	Flat washer A grade GB/T1911 6-Longzine		8	
16	STM-1220PW-D-B-04	Return water pipe assembly		2	
15	STM-1220PW-D-B-03	Heating tank assembly		2	
14	STM-1220PW-D-B-23	Pressure transmitter fixed plate	SPCC15	2	
13	YE15200000500	Pressure transmitter LF72006-9-16-16S-B-0.5-P-10-2000ml		2	*
12	STM-1220PW-D-B-22	Pressure transmitter connection pipe		2	
11	YR10110000000	Flange gasket MP-100-A-100mm(aphel)	ISO-68	4	*
10	YW04030800400	Tonflon pipe connector 3/8Hx1/4PT(L-type)37.5 degrees	H58	2	
9	BH1224.4.001610	Teflon pipe plug 3/8" S-171	H58	2	
8	BH12090705510	Oil drain extension screw STM-907H1-B-17 (H58) version 0	H58	2	
7	YW61102500000	Inner Hexagon cylinder screw GB/T170 M6x25-12.9-Longzine		16	
6	YW64006003000	Hexagon nut GB/T6170 M6-Longzine		12	
5	YW65006000100	Standard spring washer GB/T193 6-Longzine		12	
4	YW66061800000	Big gasket A GB/T961 16longzine		8	
3	YW66082200100	Big gasket C GB/T9688 4x24x21-Longzine		8	
2	YW60062500000	Hex bolt GB/T5781 M6x25-C 8-Longzine		8	
1	BM20010000550	Pump MP-100/24V/20V/50Hz/280 /1.88/60Hz auto		2	

序号	代号	名称	材质	数量	备注
标题		STM-1220PW-D	图号		
内部结构					
SHINI		信易电热机械股份有限公司		比例	数量
		Shini Plastics Technologies, Inc.			材质 /
		表面要求		/	
		物料号		/	

制图	版号	标题	图号
设计	核准	STM-1220PW-D	内部结构
校对	核准	SHINI 信易电热机械股份有限公司	
标记	更改前	更改后	更改人
日期	日期	日期	日期



\*表示可能损坏的项目;

请在下单采购零配件之前,先确认说明书版本号,以确保零配件物料号与实物一致。

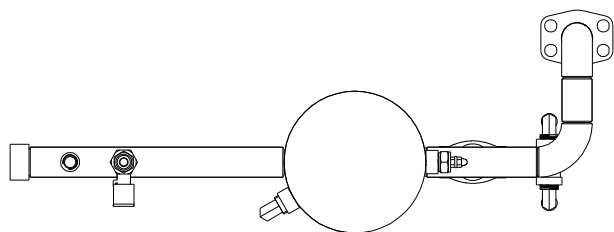
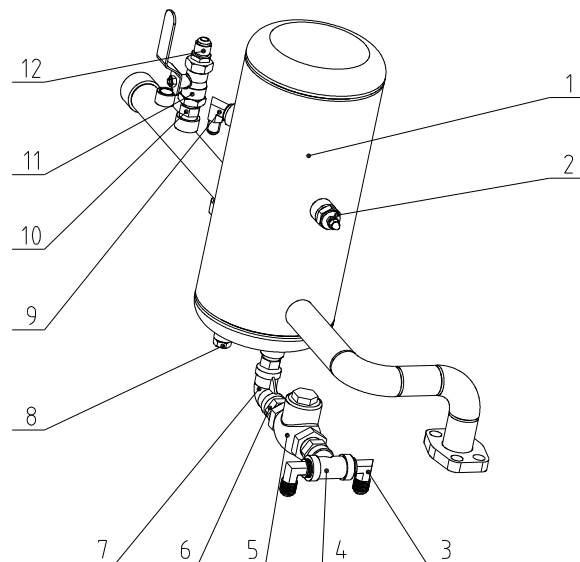
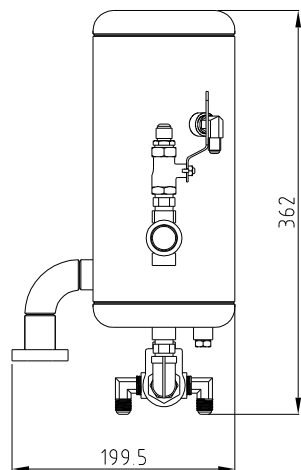
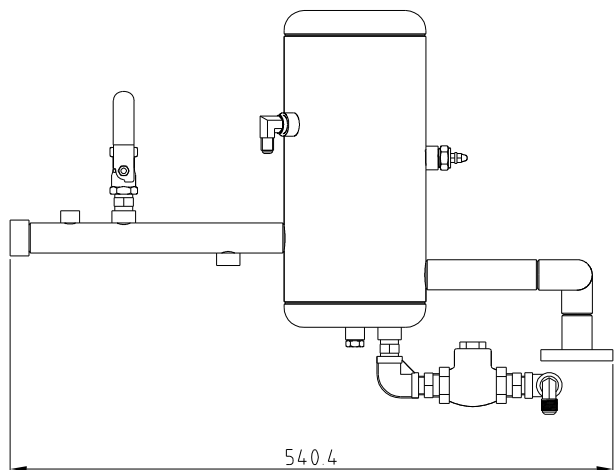
× means possible broken parts.

Please confirm the version of manual before placing the purchase order to guarantee that the item number of the spare part is in accordance with the real object.

序号	代号	名称	材质	数量	备注
17	BE9034.2500050	Thermocouple STM (probe length 13 wire length 2.5 meters) M13		1	
16	YW04.0104.004.00	Tantion pipe connector. -Type1 1/4 inch PT x 1/4 inch H	H62	1	
15	YE32203000900	Solenoid valve 3/8" 2L030-NE-1X590/L/VAC Au-TAC		1	*
14	BH12030800610	Tantion pipe connector 3/8PT x 3/8HWS degree1 (Drawing No. S-116)	H62	1	
13	BH12030800110	Copper pipe coupler 2/8PT x 2/8PT (S-07)	H58	1	
12	YW52030800000	Stainless steel water pipe three-way 3/8" 36.4	SUS304	1	
11	YW04.030800100	Copper connector 3/8" x 3/8" L-type	H62	1	
10	BH70122000250	Pipe heater STM-1220-W10KW (copper tube 3φ230/L00V)		1	
9	YW64.000600300	Hex nut GB/T6170 M6-Longzine		1	
8	YW66061300000	Flat washer grade A GB/T97.1 6-Longzine		1	
7	BL80091000120	Pipe heater cover S-1908x mod00 drawing number STM-687090WE-A-10-0	SPCC1.0	1	
6	YW66102500000	Flat gasket 10x25x15 Longzine		4	
5	YW65010000000	Standard spring washer GB/T93 10-Longzine		4	
4	YW61102500000	Inner hexagon cylinder screw GB/T 10.1 M10x25-12.9-Longzine		4	
3	YR20121200000	Flexible graphite pad 120x120x2.0mm	ISO-68	1	
2	STM-1220PW-D-B-01	Heating tank		1	
1	BY90202200110	Relief valve (15KG resistant) S-20220808-(CH-ALL-JSXZ)	Cu	1	

标记	更改前	更改后	更改人	日期	制图	版号	标题	图号	比例	数量	备注
					设计	核准	STM-1220PW-D		1:1	1	
					校对		加热桶组件		材质	/	
					审核		<b>信易电热机械股份有限公司</b> Shini Plastics Technologies, Inc.		表面要求	/	
					日期			物料号	/		



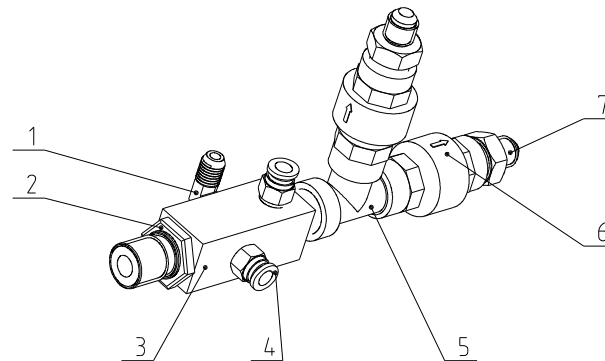
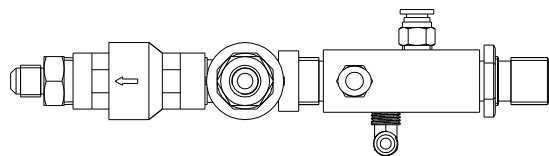
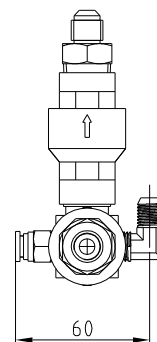
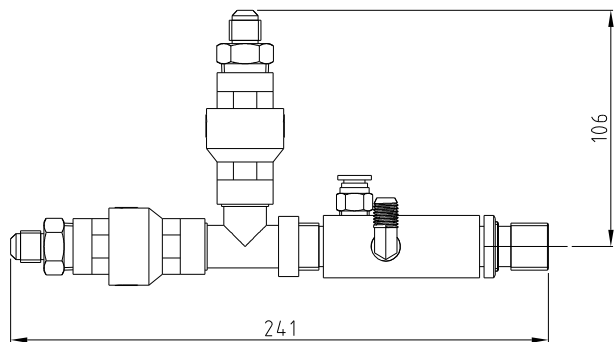


◆表示可能损坏的项目；  
请在下单采购零配件之前，先确认说明书版本号，以确保零配件物料号与实物一致。

× means possible broken parts.  
Please confirm the version of manual before placing the purchase order to guarantee that the item number of the spare part is in accordance with the real object.

12	BH12030800610	Copper flon pipe joint 3/8PT×3/8HL(45 Degrees) (Drawing No. S-116)	H62	1	
11	YW50030800900	Copper ball core valve 3/8" KITZ, Temperature resistance 180 degrees		1	*
10	BH12030800110	Copper connector 3/8PT×3/8PT(S-07)	H58	2	
9	YW04030800500	Tonflon pipe connector(L-type)3/8" PT×1/4" H	H58	1	
8	BH12010400710	Bucket bottom screw 1/4 inch PT (S-11-0)	H58	1	
7	YW53308000000	Stainless steel wire mouth elbow 3/8 inch (304 #)	SUS304	1	
6	BH12030800310	Copper connector 3/8" PT×1/2" PT(S-92)	H58	2	
5	YW59010200300	Swing check valve R1/2" KITZ(Copper)	Cu	1	
4	YW52030800000	Stainless steel water pipe three-way 3/8" 304#	SUS304	1	
3	YW04030800300	Tonflon pipe connector 3/8×3/8 L-type	H58	2	
2	YW09003800500	Water level probe, single copper-Teflon, 3 points, no lead, withstand voltage of 150Pa		1	
1	STM-1220PW-D-B-02	Return water pipe		1	
序号	代 号	名 称	材 质	数 量	备 注

					制图	版号	标题	STM-1220PW-D	图号	比例	数量	
					设计	核	回水管组件				材质	/
					校对	准	<b>信易電熱機械股份有限公司</b> <b>Shini Plastics Technologies, Inc.</b>		表面要求	/		
标记	更改前	更改后	更改人	日期	审核	日期		物料号		/		



•表示可能损坏的项目;

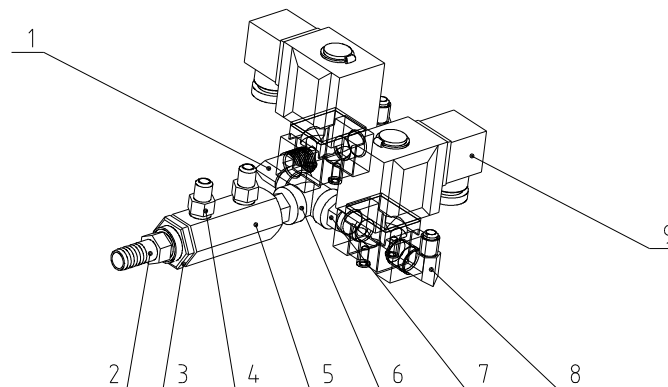
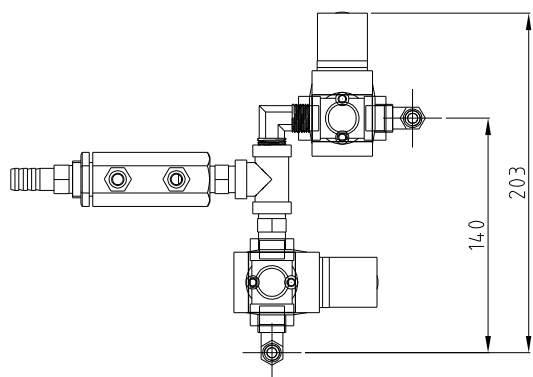
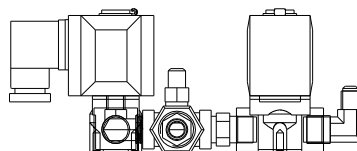
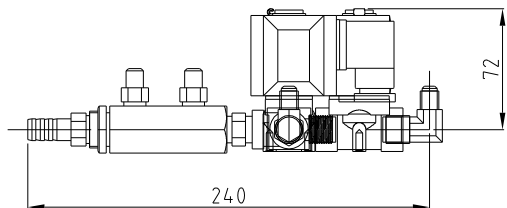
请在下单采购零配件之前, 先确认说明书版本号, 以确保零配件物料号与实物一致。

× means possible broken parts.

Please confirm the version of manual before placing the purchase order to guarantee that the item number of the spare part is in accordance with the real object.

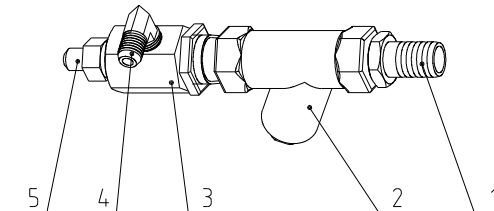
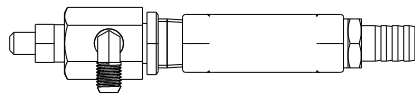
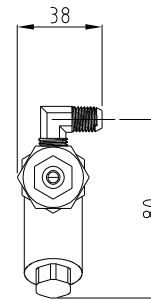
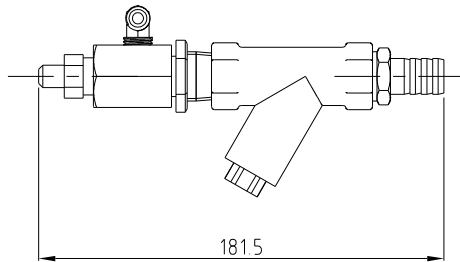
7	BH12030800210	Tonflon pipe male thread connector 3/8Hx1/2PTIS-91l	H62	2	
6	YW59001201300	Check valve 1/2" VITONIRB) copper		2	
5	YW59123000300	Stainless steel inner and outer teeth water pipe tee 1/2 inch (SUS304)	SUS304	1	
4	YW80081400000	Thread direct connector APC8-02 1/4-φ8(Air: TAC)10 pcs/pack		2	*
3	BH12060703110	Refill connector STM-607PW-D-01H5B) Ver. A	H58	1	
2	BH12060703910	Universal copper nut S-136	H58	1	
1	YW04010400400	Tonflon pipe connector(L-type) 1/4 inch PT × 1/4 inch H	H62	1	
序号	代号	名称	材质	数量	备注

					制图	版号	标题	图号	比例	数量
					设计	核准	补水接头组件			材质
				校对	表面要求					/
标记	更改前	更改后	更改人	日期	审核	日期	<b>信易電熱機械股份有限公司</b> <b>Shini Plastics Technologies, Inc.</b>		物料号	/



9	YE30003802400	Solenoid valve 3/8" 2LH050-10E AC24V Air TAC		2	
8	YW04030800500	Tonflon pipe connector (L-type)3/8" PTx1/4" H	H58	2	
7	BH12030800110	Copper connector 3/8PTx3/8PT(S-07)	H58	2	
6	YW52030800000	Stainless steel water pipe three-way 3/8" 304H	SUS304	1	
5	BH12607300010	Copper joint second set of accessories S-138	H58	1	
4	BH12010400410	Tonflon pipe male thread connector 1/4Hx1/4PT(SD-40H-ALL-09)	H58	2	
3	BH12060703910	Universal copper nut S-136	H58	1	
2	BH12030801110	Copper joint 3/8" PTxφ13(S-85)	H58	1	
1	YW04030800100	Copper connector 3/8"x3/8"L-type	H62	1	
序号	代号	名称	材质	数量	备注

					制图	版号	标题	STM-1220PW-D	图号	比例	数量
					设计	核准	排水接头组件				材质
					校对		<b>信易電熱機械股份有限公司</b> <b>Shini Plastics Technologies, Inc.</b>		表面要求	/	
标记	更改前	更改后	更改人	日期	审核	日期		物料号	/		



\*表示可能损坏的项目;

请在下单采购零配件之前, 先确认说明书版本号, 以确保零配件物料号与实物一致。

× means possible broken parts.

Please confirm the version of manual before placing the purchase order to guarantee that the item number of the spare part is in accordance with the real object.

5	BH12030800410	Tonflon pipe connector 3/8" PT×1/4"HS-80)	H58	1	
4	YW04010400400	Tonflon pipe connector (L-type) 1/4 inch PT × 1/4 inch H	H62	1	
3	BH12607800010	Copper joint fourth set S-162 (equipped with universal copper nut S-136)		1	
2	YW57010200000	Y Type Strainer 1/2" PT Required copper content 51%	H62	1	*
1	BH12121600010	Copper joint 1/2" PT×φ16(S-133)	H58	1	
序号	代 号	名 称	材 质	数 量	备 注

					制图	版号	标题	STM-1220PW-D	图号	比例	数量	
					设计	核	冷却水进水接头组件				材质	/
					校对	准				表面要求	/	
标记	更改前	更改后	更改人	日期	审核	日期	信易電熱機械股份有限公司 Shini Plastics Technologies, Inc.			物料号	/	