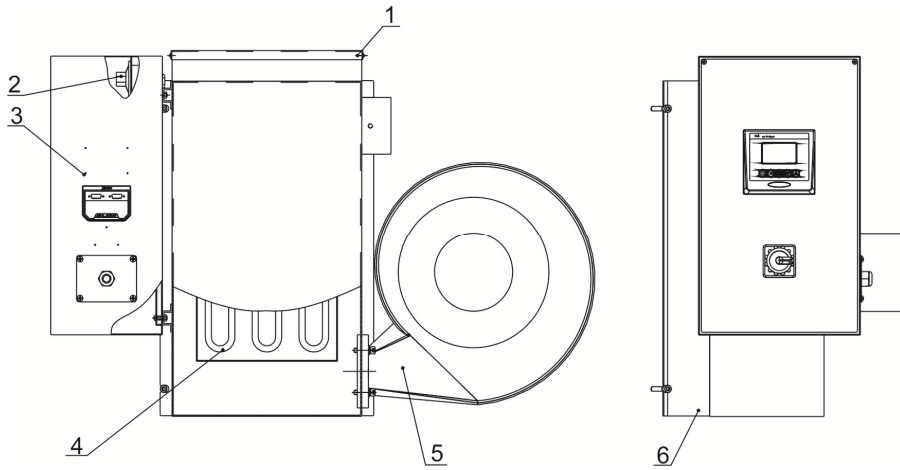


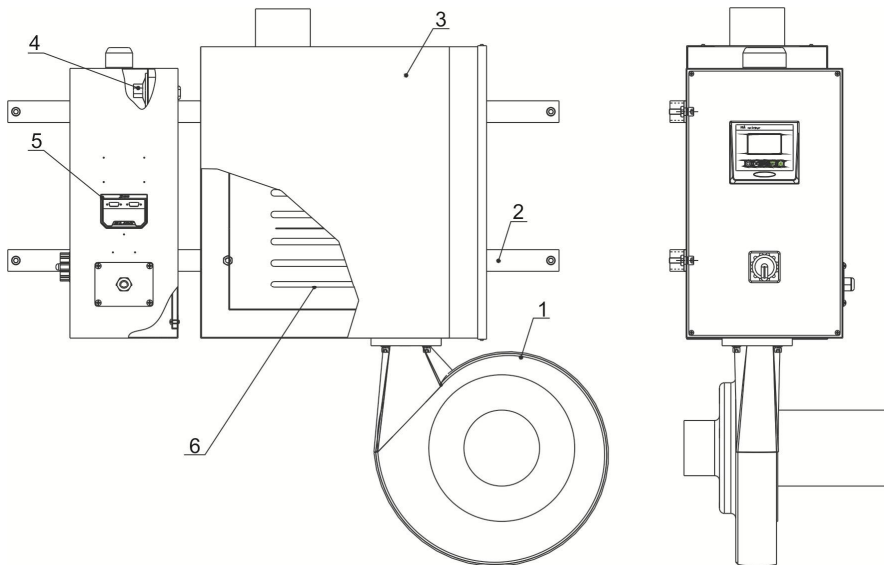
1. Structural Drawing (HA-30~400)



Names of Parts:

- | | | | |
|-------------------------|--------------------------------|----------------|----------------|
| 1. Heating box assembly | 2. EGO | 3. Control box | 4. Pipe heater |
| 5. Blower | 6. Fixing plate of heating box | | |

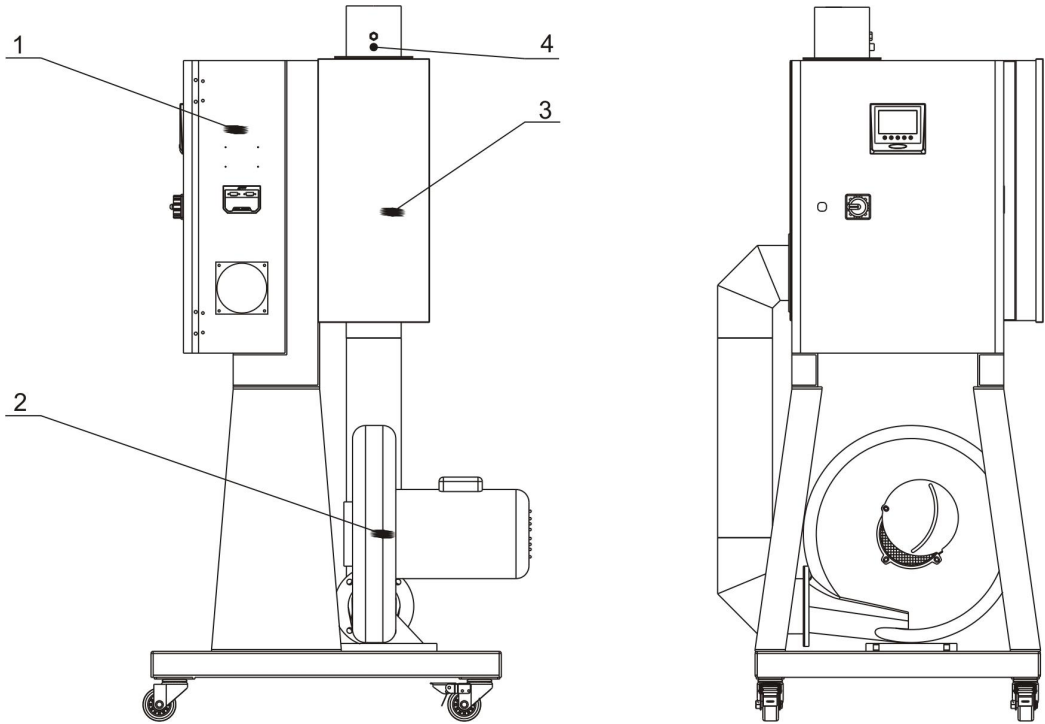
2. Structural Drawing (HA-600~700)



Names of Parts:

- | | | | |
|----------------|-------------------------------|-------------------------|--------|
| 1. Blower | 2. Fixed beam of heating case | 3. Heating box assembly | 4. EGO |
| 5. Control box | 6. Pipe heater | | |

3. Structural Drawing (HA-1000)



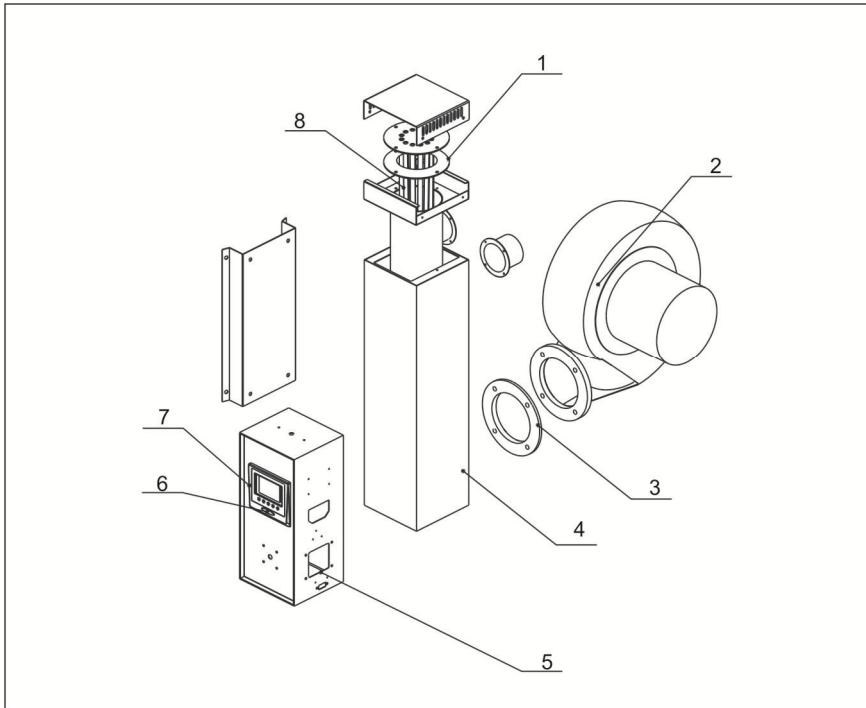
1. Control box

2. Blower

3. Heating box assembly

4. EGO

4. Parts Drawing (HA-30~400)



Remarks: Please refer to material list 5 for specific explanation of the Arabic numbers in parts drawing.

5. Parts List (HA-30~400)

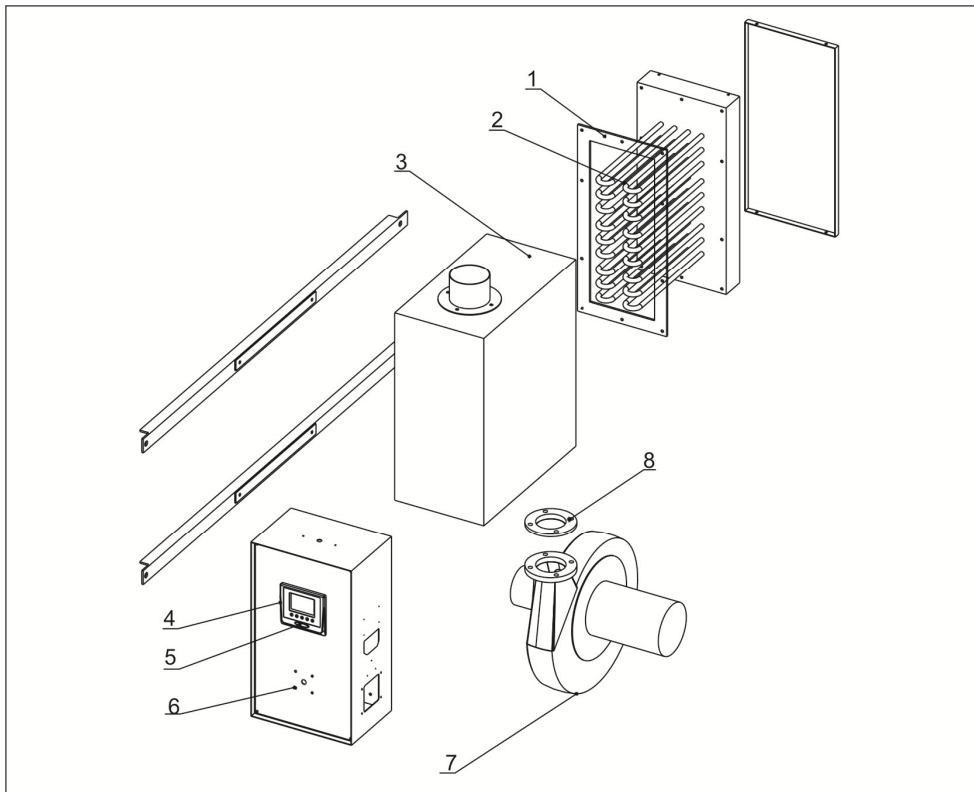
No.	Name	Part No.		
		HA-30	HA-40	HA-60
1	Heating case fastener*	YR10141100000	YR10141100000	YR10151200000
2	Drying blower*	YM40001500400	BM40253200150	BM40338000150
3	Blower fastener*	YR10001200600	YR10001200600	YR10141100000
4	Rack metal plate	BK90003001620	BK90004001620	BK90006001620
5	Control box	BH90003001150	BH90004001150	BH90006001150
6	Lamp cover	YR90441300000	YR90441300000	YR90441300000
7	Control box	YR40400200000	YR40400200000	YR40400200000
8	Pipe heater*	BH70202200050	BH70400300350	BH70123900150
No.	Name	Part No.		
		HA-100	HA-200	HA-400
1	Heating case fastener*	YR10161200000	YR10161200000	YR10607500100
2	Drying blower*	BM40432200150	BM40532200150	BM30055000060
3	Blower fastener*	YR10010000600	YR10020000600	YR10001200600
4	Rack metal plate	BK90010001620	BK90020001620	BK90040001620
5	Control box	BH90010001150	BH90020001150	BH90040001150
6	Lamp cover	YR90441300000	YR90441300000	YR90441300000

7	Control box	YR40400200000	YR40400200000	YR40400200000
8	Pipe heater*	BH70160600250	BH70301200150	BH70601800250

* means possible broken parts. ** means easy broken part. and spare backup is suggested.

Please confirm the version of manual before placing the purchase order to guarantee that the item number of the spare part is in accordance with the real object.

6. Parts Drawing (HA-600~700)



Remarks: Please refer to material list 7 for specific explanation of the Arabic numbers in parts drawing.

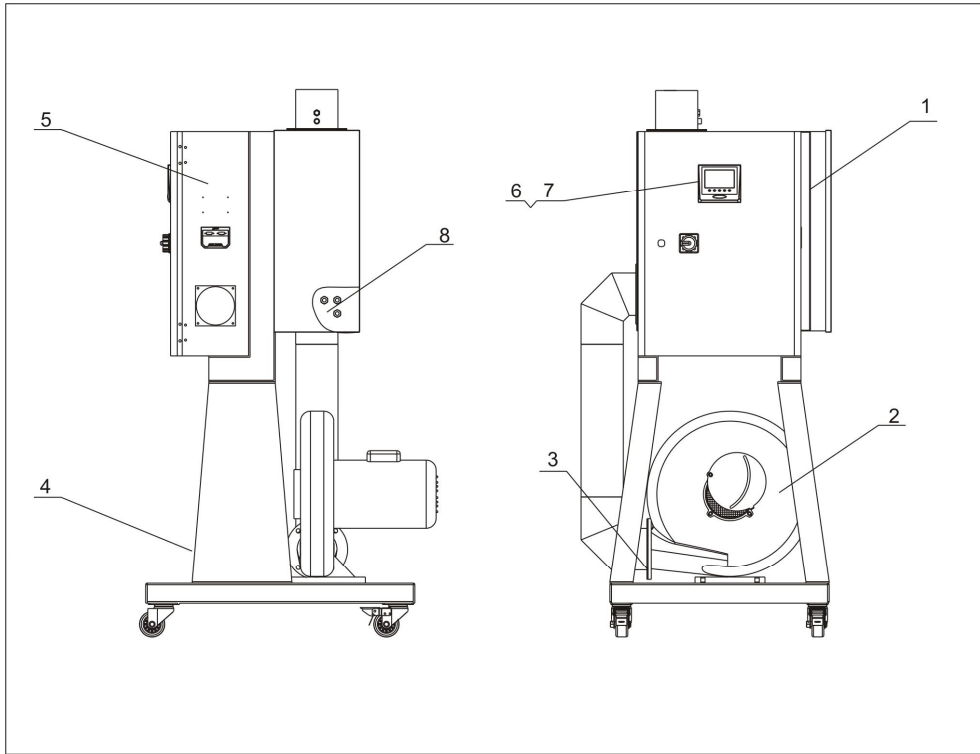
7. Parts List (HA-600~700)

No.	Name	Part No.	
		HA-600	HA-700
1	Heating case fastener*	YR10350040000	YR10350040000
2	Pipe heater*	BH70090000850	BH70121800150
3	Rack metal plate	BK90060001620	BK90070001620
4	Control box	BH90060001150	BH90070001150
5	Lamp cover	YR90441300000	YR90441300000
6	Control box	YR40400200000	YR40400200000
7	Blower*	BM30055000060	BM30113230050
8	Blower fastener *	YR10001200600	YR10161200000

* means possible broken parts. ** means easy broken part. and spare backup is suggested.

Please confirm the version of manual before placing the purchase order to guarantee that the item number of the spare part is in accordance with the real object.

8. Parts Drawing (HA-1000)



Remarks: Please refer to material list 9 for specific explanation of the Arabic numbers in parts drawing.

9. Parts List (HA-1000)

No.	Name	Part No.
		HA-1000
1	Heating case fastener*	YR10350040000
2	Drying blower*	YM30033800300
3	Blower fastener *	YR10350040000
4	Rack metal plate	BK90100001620
5	Control box	BH90001001550
6	Lamp cover	YR90441300000
7	Control box	YR40400200000
8	Pipe heater*	BH70150000850

* means possible broken parts. ** means easy broken part. and spare backup is suggested.

Please confirm the version of manual before placing the purchase order to guarantee that the item number of the spare part is in accordance with the real object.