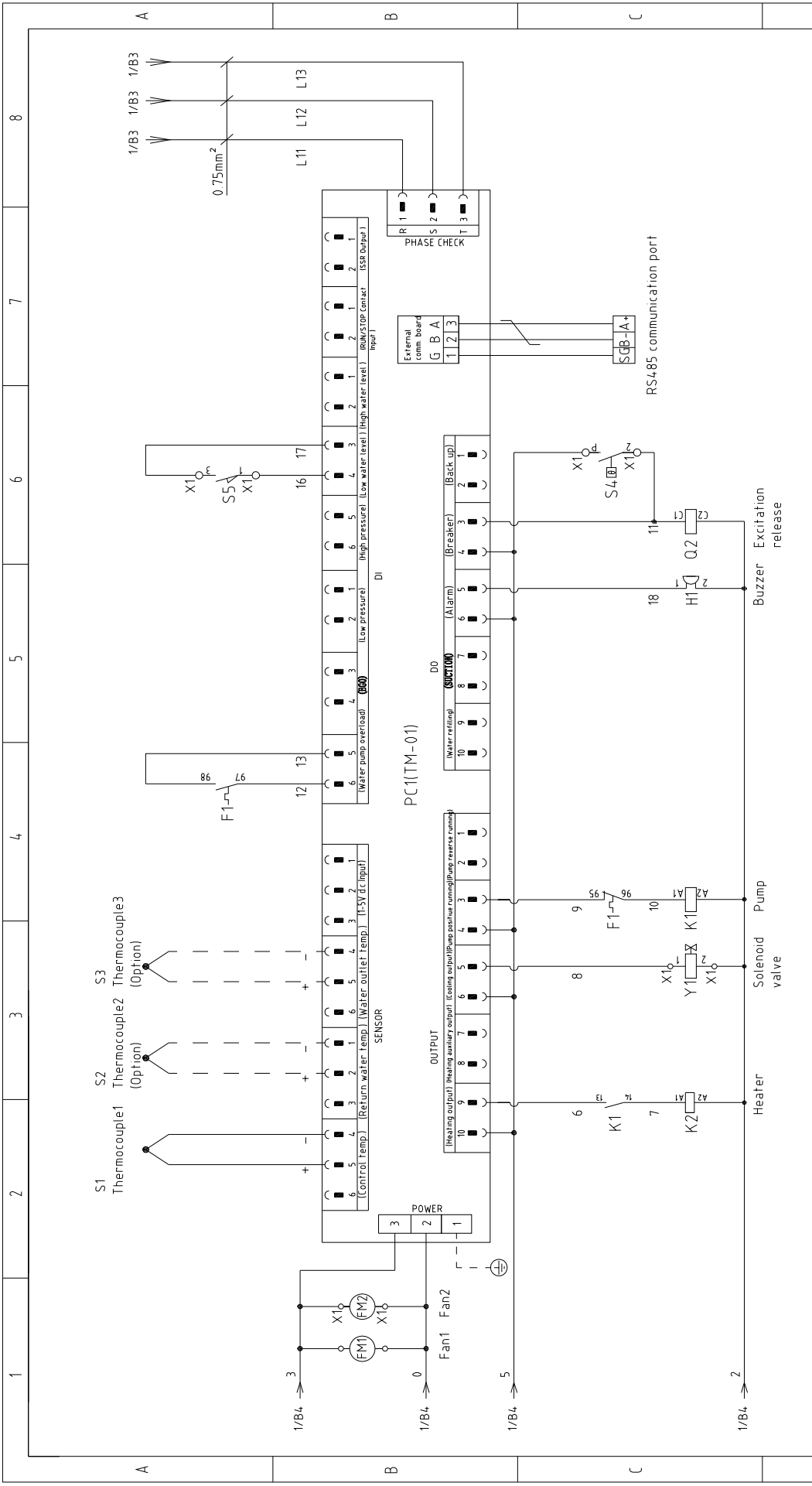


版本 Ver.E		Title STM-907HT		Drawing NO STM-907HT-CE-400V-F-1		Page 1	
		F		Main Circuit Diagram		Scale Standard CE	
		Version		Approved by		Voltage 400V	
		Date		Date		Frequency 50HZ	
Mark		Before modification		Modified by		Totally 5 Pages	
1		2		3		4	
5		6		7		8	





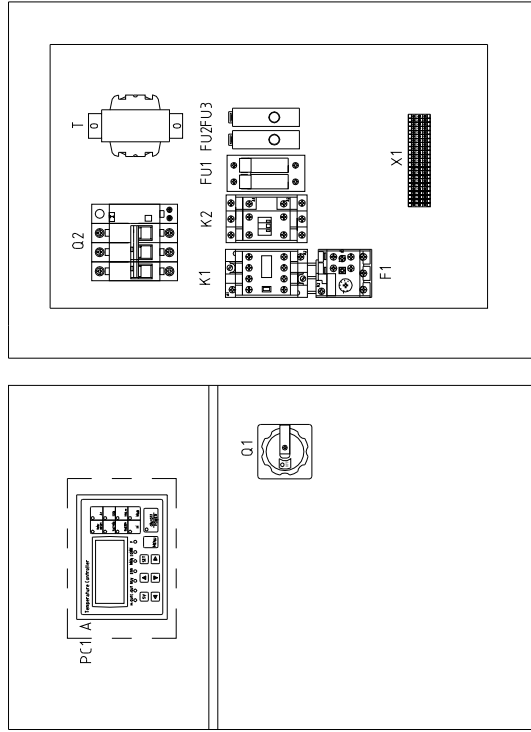
版本	Ver E	Version	F	Title	Drawing NO		Scale	Page	2		
						STM-907HT				STM-907HT-CE-400V-F-2	Standard
Mark	Before modification	Modified by	Date	20180102	SHINI	信易電熱機械股份有限公司				Voltage	400V
	After modification					Checked by	Approved by	Frequency	50HZ		

A

B

C

D

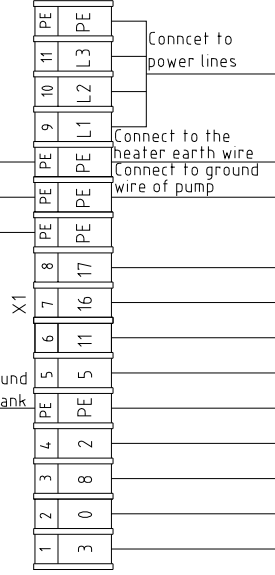


Connect to ground wire of door plank

Connect to the ground wire of transformer 1

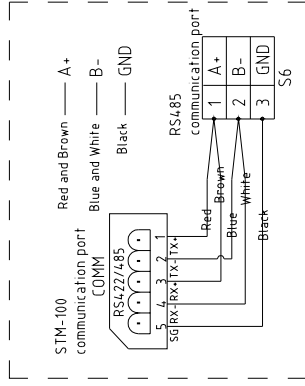
Connect to the ground wire of transformer 2

Connect to ground wire of circuit board



Fan 2 Solenoid valve protector switch

Temp. Micro switch




RS485 Communications wiring diagram

Technical requirements (1) Pump and pipe heater should be directly connected to the output terminals of contactor and thermal overload relay.

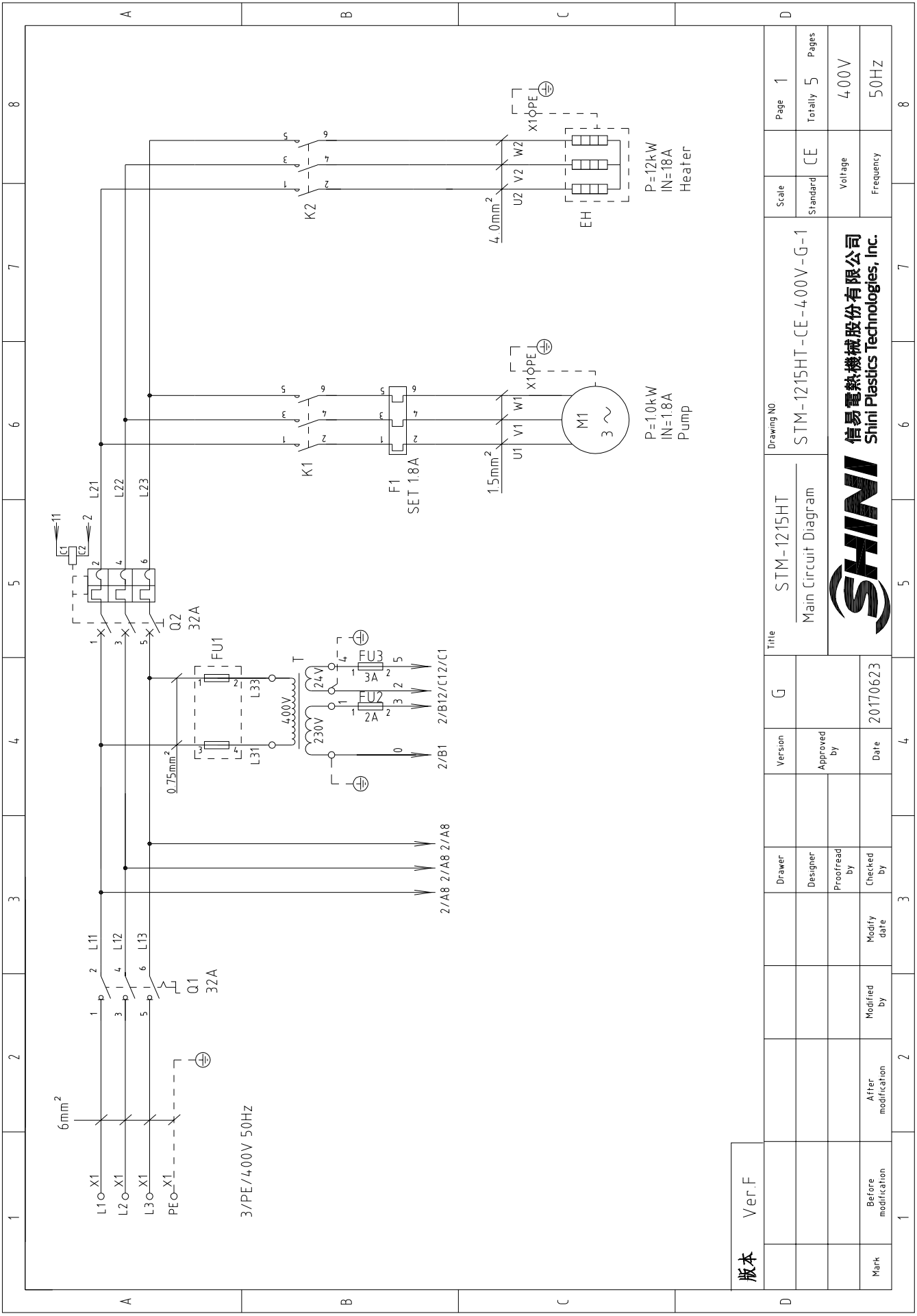
版本	Ver.E
Mark	Before modification
	After modification
	Modified by
	Modify date
	Checked by
	Proofread by
	Designer
	Drawer

Title		Drawing NO	
STM-907HT		STM-907HT-CE-400V-F-3	
Electrical Components Layout		Scale	
		Standard	
Version		Page	
F		3	
Approved By		Totally	
		5	
Date		Voltage	
20170622		400V	
Modified by		Frequency	
		50HZ	
Date		Page	
2		5	
3		8	



1		2		3		4		5		6		7		8	
NO.	Symbol	Name	Manufacturer	Type	Specification	Number	Material number	Remark							
1	Q1	Main Switch	EATON	P1-25/EA/SVB	25A	1	YE10125250000								
2	Q2	Circuit Breakers	TECO	BM-63S	25A	1	YE40302003000								
3		Excitation Release	CHINT	MX	24VAC	1	YE40024000000								
4	K1	Contactors	SIEMENS	3RT6015-1AB01	24VAC	1	YE00601502500								
5	K2	Contactors	SIEMENS	3RT6025-1AC20	24VAC	1	YE00602502600								
6	F1	Thermo Overload Relay	SIEMENS	3RU6116-0KB0	0.9-1.25A	1	YE01160900000								
7	FU1	Fuse Base	CHNT	RT28-32	32A 2P	1	YE41032200000								
8		Fuse Core	MRO	10×38 500V	2A	2	YE46002000100								
9	FU2 FU3	Fuse	YINDA	FS-10	----	2	YE41001000000								
10		Fuse	----	6×30/3A	3A	1	YE46630500200								
11	T	Transformer	----	IN=400V OUT=24VAC/230V	120VA/350mA	1	YE70040005500								
12	S1	Thermocouple	SHINI	----	K	1	----	(1)							
13	S2 S3	Thermocouple	SHINI	----	K	2	----	(1)(2)							
14	S4	Overheat Protector	----	----	----	1	----	(1)							
15	S5	Limit Switch	RENEW	----	250V 5(4)	1	----	(1)							
16	S6	Communication interface board RS-485 (double Dsub-9pin connector)	----	----	----	1	YE90048501200	(1)							
17		Shell RS485(SAL-700G-A-19)0	----	----	----	1	YR40048500000	(1)							
18	PC1 A	Circuit Board	YUYUN	TM-01 (含通讯)	180~4.30V 50/60Hz	1	YE81012200300								
19	X1	Terminal Board	----	2.5mm <sup>2</sup>	----	8	YE60002503200								
20		Terminal Board	----	2.5mm <sup>2</sup> PE	----	4	YE60002503400								
21		Terminal Board	----	4.0mm <sup>2</sup>	----	3	YE60000403200								
22		Terminal Board	----	4.0mm <sup>2</sup> PE	----	1	YE60000403500								
23	M1	Motor	SHINI	MP-55	4.00V 50Hz 0.55kW	1	----	(1)							
24	EH	Heater	SHINI	9kW	4.00V 50Hz	1	----	(1)							
25	FM1 FM2	Fan	----	----	230V 50/60Hz	2	----	(1)							
<b>版本</b> Ver.E Notes: (1)Means it's not the material inside the control box (2)Means equipped with function of displaying water outlet and return water temperature.															
				Title STM-907HT Electrical Components list 1		Drawing NO STM-907HT-CE-4.00V-F-4		Scale Standard CE		Page 4 Totally 5 Pages					
Mark		Before modification	Modified by	Modify date	Checked by	Date	 信易电热机械股份有限公司 Shini Plastics Technologies, Inc.		Voltage 400V Frequency 50HZ						
1						20170622							8		

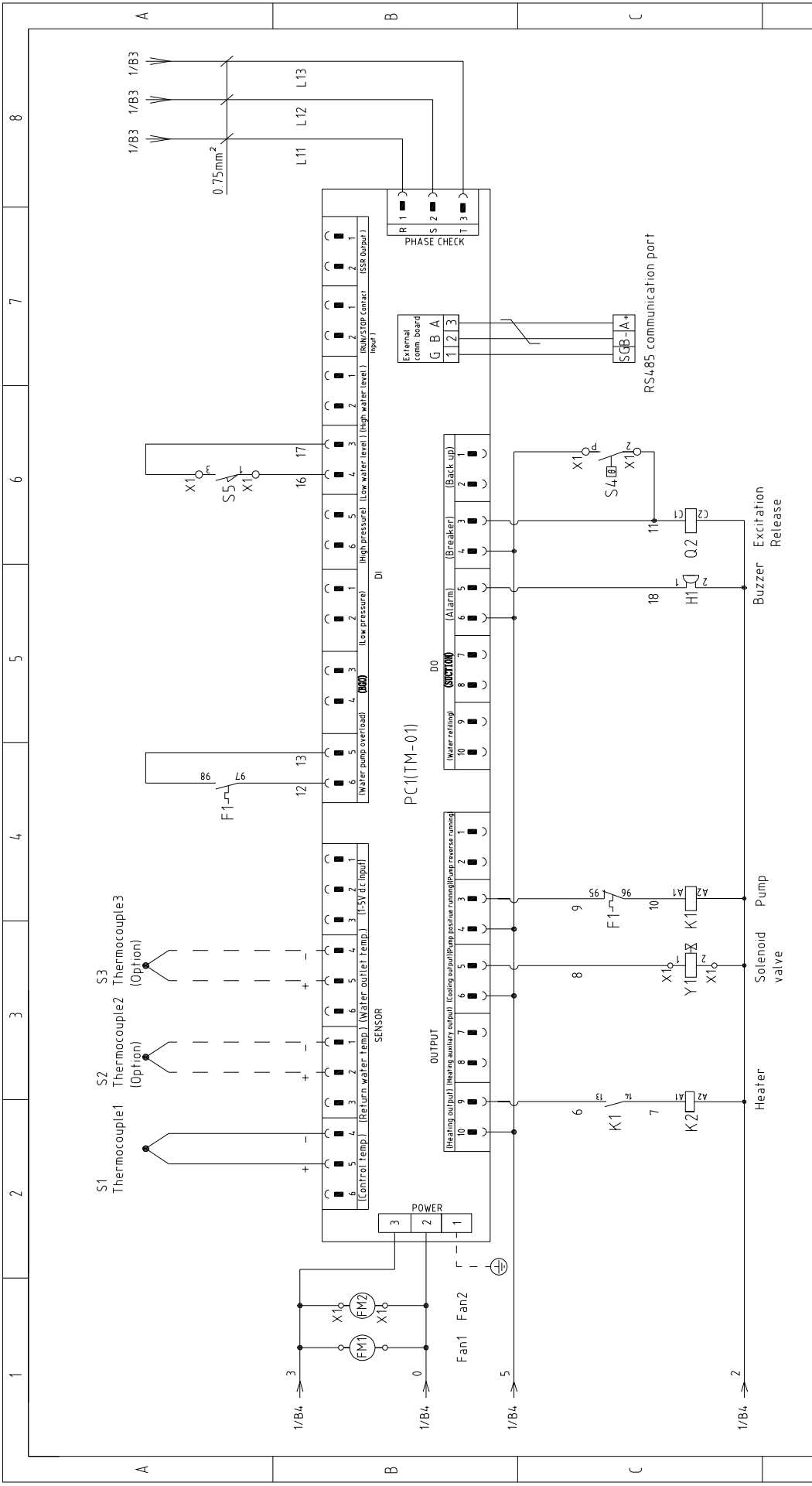




版本	Ver.F
Mark	Before modification
After modification	
Modified by	
Modify date	
Checked by	
Proofread by	
Designer	
Drawer	

D	Version	G	Title	STM-1215HT	Drawing NO	STM-1215HT-CE-400V-G-1	Scale	CE	Page 1
	Approved by		Main Circuit Diagram				Standard	Totally 5	Pages
	Date	20170623					Voltage	400V	
	Modified by						Frequency	50HZ	





版本	Ver.F
Mark	Before modification
Modified by	Modify date
Checked by	Date
Proofread by	
Designer	
Drawer	
Version	
Approved by	
G	

Title		Drawing No	
STM-1215HT		STM-1215HT-CE-400V-G-2	
Control Circuit Diagram		Scale	Page
		Standard	2
		Voltage	Totally
		400V	5
		Frequency	Pages
		50HZ	8

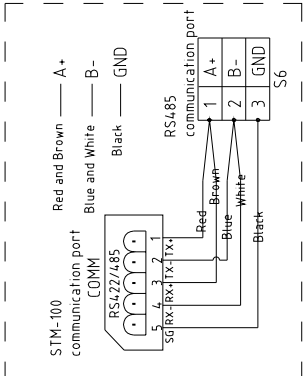
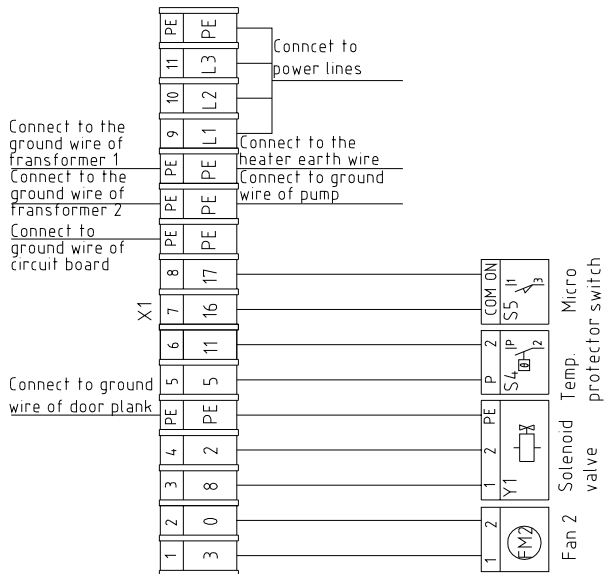
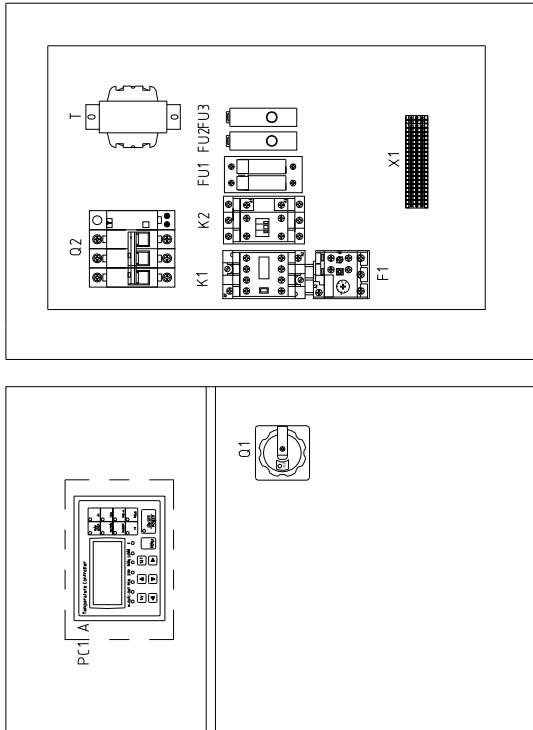


A

B

C

D




RS485 Communications wiring diagram

Technical requirements (1) Pump and pipe heater should be directly connected to the output terminals of contactor and thermal overload relay.

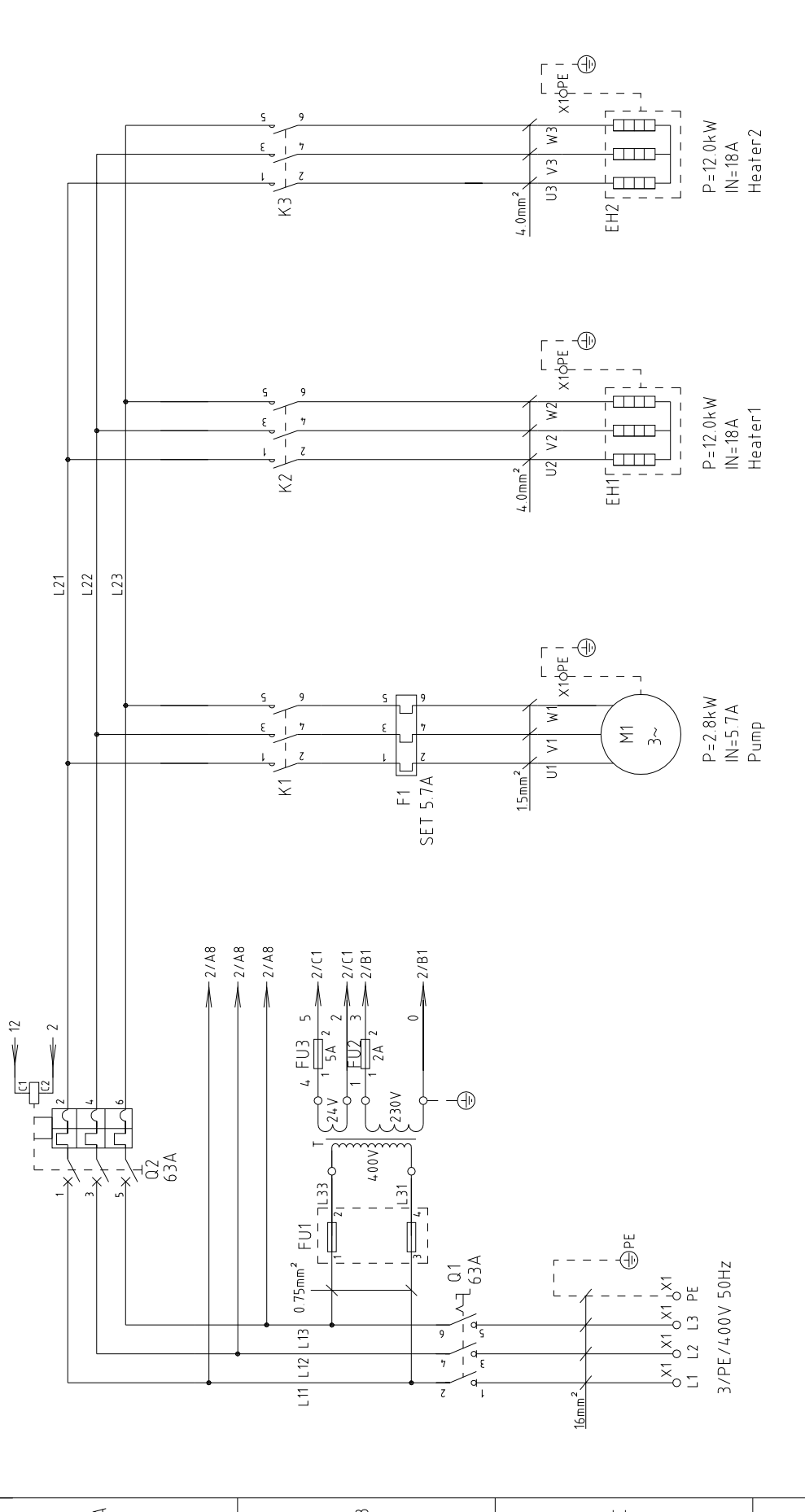
版本 Ver.F	G	Title STM-1215HT	Drawing NO STM-1215HT-CE-400V-G-3	Scale	Page
				Standard CE	Totally 5
Mark Before modification	Date 20170623	Approved By	Checked by	Voltage	400V
				Modify date	Frequency
1	2	3	4	5	8





1		2		3		4		5		6		7		8	
NO.	Symbol	Name	Manufacturer	Type	Specification	Number	Material number	Remark							
1	Q1	Main Switch	EATON	P1-32/EA/SVB	32A	1	YE10323200000								
2	Q2	Circuit Breakers	TECO	BM-63S	32A	1	YE40303203000								
3		Excitation Release	CHINT	MX	24VAC	1	YE40024000000								
4	K1	Contactors	SIEMENS	3RT6015-1AB01	24VAC	1	YE00601502500	A							
5	K2	Contactors	SIEMENS	3RT6027-1AC20	24VAC	1	YE00602702600								
6	F1	Thermo Overload Relay	SIEMENS	3RU6116-1CB0	18-2.5A	1	YE01160180000								
7	FU1	Fuse Base	CHNT	RT28-32	32A 2P	1	YE41032200000								
8		Fuse Core	MRO	10×38 500V	2A	2	YE46002000100								
9	FU2 FU3	Fuse	YINDA	FS-10	----	2	YE41001000000								
10		Fuse	----	6×30/3A	3A	1	YE46630500200								
11	T	Transformer	----	IN=400V OUT=24VAC/230V	120VA/350mA	1	YE70040005500	B							
12	S1	Thermocouple	SHINI	----	K	1	----	(1)							
13	S2 S3	Thermocouple	SHINI	----	K	2	----	(1)(2)							
14	S4	Overheat Protector	----	----	----	1	----	(1)							
15	S5	Limit Switch	RENEW	----	250V 5(4)	1	----	(1)							
16	S6	Communication interface board RS-485 (double Dsub-9pin connector)	----	----	----	1	YE90048501200	(1)							
17		Shell RS485(SAL-700G-A-19)0	----	----	----	1	YR40048500000	(1)							
18	PC1 A	Circuit Board	YUYUN	TM-01 (含通讯)	180~4.30V 50/60Hz	1	YE81012200300								
19	X1	Terminal Board	----	2.5mm <sup>2</sup>	----	8	YE60002503200								
20		Terminal Board	----	2.5mm <sup>2</sup> PE	----	3	YE60002503400								
21		Terminal Board	----	4.0mm <sup>2</sup> PE	----	1	YE60000403500								
22		Terminal Board	----	6.0mm <sup>2</sup>	----	3	YE60000603200								
23		Terminal Board	----	6.0mm <sup>2</sup> PE	----	1	YE60000603500								
24	M1	Motor	SHINI	MP-100	400V 50Hz 1.0kW	1	----	(1)							
25	EH	Heater	SHINI	12kW	400V 50Hz	1	----	(1)							
<b>版本</b> Ver.F Notes: (1)Means it's not the material inside the control box (2)Means equipped with function of displaying water outlet and return water temperature.															
D		Drawing NO		Title		Version		G		Scale		Page		D	
		STM-1215HT		Electrical Components list 1		STM-1215HT		STM-1215HT-CE-400V-G-4		Standard		CE		Totally 5 Pages	
Mark		Before modification		Modified by		Modify date		Proofread by		Checked by		Voltage		Frequency	
						20170623						400V		50HZ	
 <b>信易电热机械股份有限公司</b> <b>Shini Plastics Technologies, Inc.</b>															
1		2		3		4		5		6		7		8	



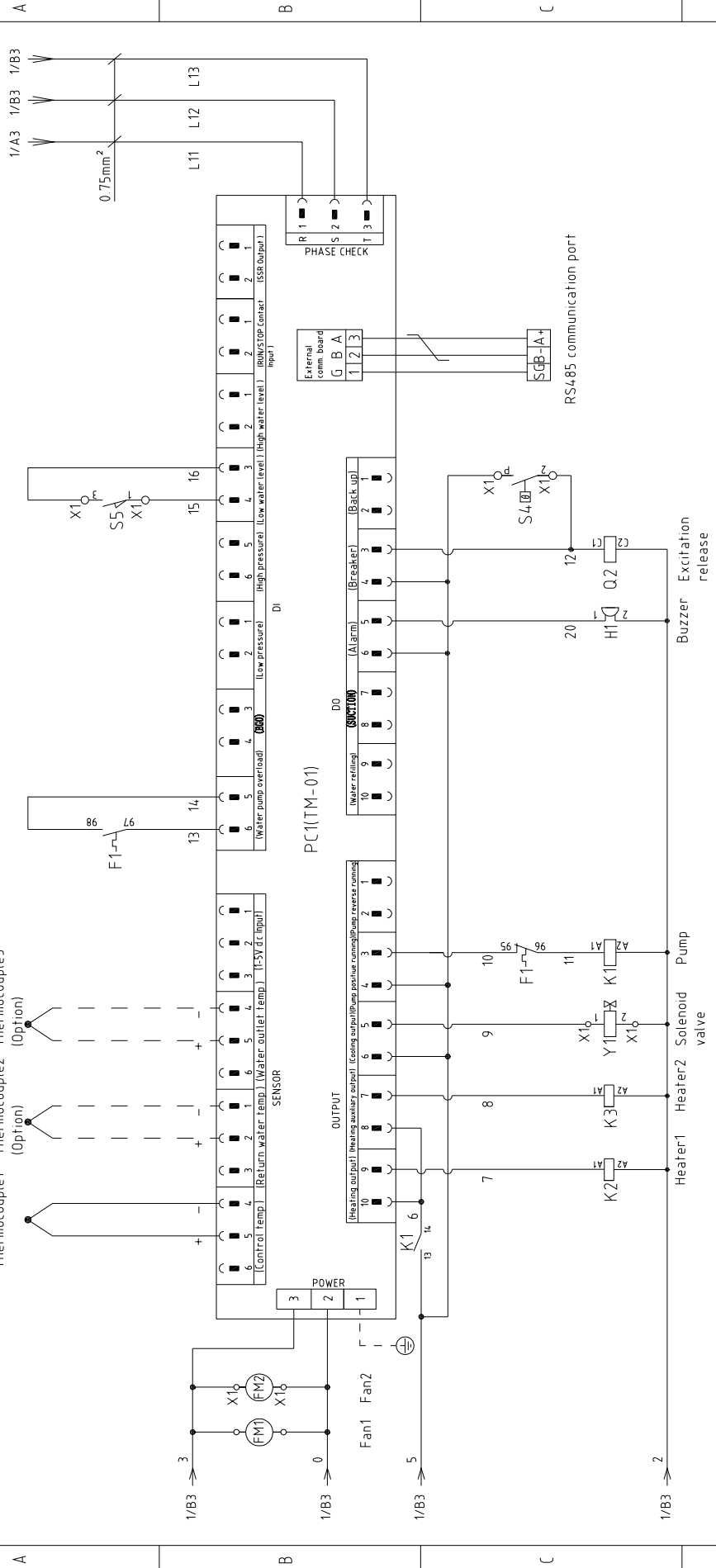


版本 Ver.E

D		Title		Drawing NO		Scale		Page	
		STM-2440HT		STM-2440HT-CE-400V-F-1		Standard		Page 1	
		Main Circuit Diagram				CE		Totally 4 Pages	
		Version		Approved by		Voltage		400V	
		F		Date		Frequency		50HZ	
		Designer		20170623					
		Proofread by							
		Checked by							
		Modify date							
		After modification							
		Before modification							
1		2		3		4		5	
6		7		8		9		10	



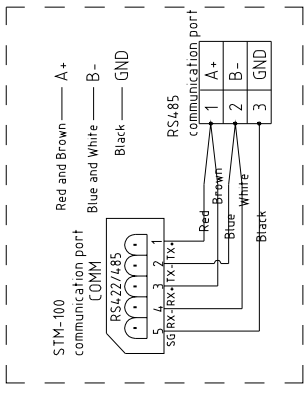
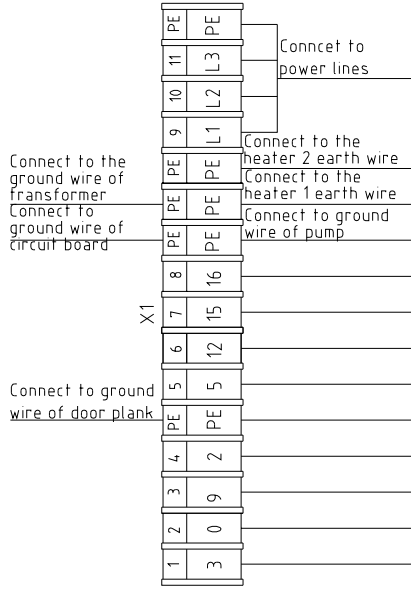
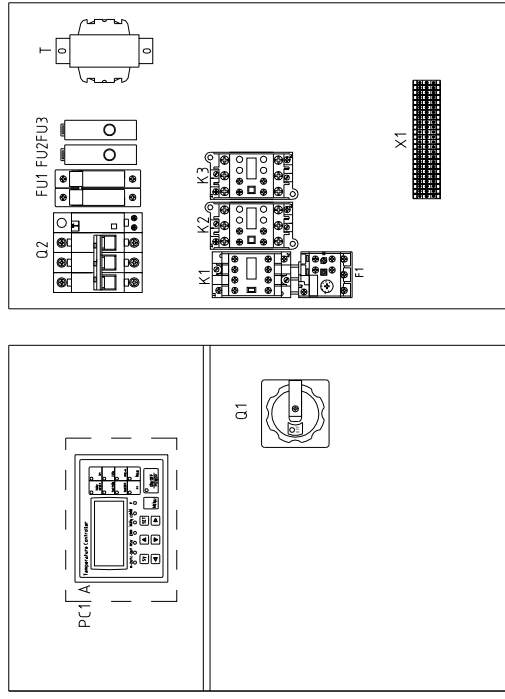
- S1 Thermocouple1 (Option)
- S2 Thermocouple2 (Option)
- S3 Thermocouple3 (Option)



版本 Ver.E

D	Mark	Before modification	Modified by	Date	20180102	F	Version		Title	STM-2440HT	Drawing NO	Scale	Page	2
	Mark	After modification	Modified by	Date	20180102		Approved by			Standard		CE	Totally	4
										Voltage		400V		
										Frequency		50HZ		
										STM-2440HT-CE-400V-F-2				
										信易电热机械股份有限公司				
										SHINI				
										Shini Plastics Technologies, Inc.				
										5		6		
										7		8		

A B C



RS485 Communications wiring diagram

版本 Ver.E

Technical requirements: (1) Pump and pipe heater should be directly connected to the output terminals of contactor and thermal overload relay.

D	Mark	Before modification	Modified by	20170623	2	3	4	5	6	7	8
	Mark	After modification	Checked by	20170623	4	5	6	7	8		
D	Version	Approved By	Proofread by	20170623	4	5	6	7	8		
	Version	Approved By	Proofread by	20170623	4	5	6	7	8		
D	Scale	Standard	CE	CE	4	5	6	7	8		
	Scale	Standard	CE	CE	4	5	6	7	8		
D	Page	3	Page	3	4	5	6	7	8		
	Page	3	Page	3	4	5	6	7	8		
D	Standard	CE	CE	CE	4	5	6	7	8		
	Standard	CE	CE	CE	4	5	6	7	8		
D	Voltage	400V	Voltage	400V	4	5	6	7	8		
	Voltage	400V	Voltage	400V	4	5	6	7	8		
D	Frequency	50HZ	Frequency	50HZ	4	5	6	7	8		
	Frequency	50HZ	Frequency	50HZ	4	5	6	7	8		
D	Drawing NO	STM-2440HT	Drawing NO	STM-2440HT	4	5	6	7	8		
	Drawing NO	STM-2440HT	Drawing NO	STM-2440HT	4	5	6	7	8		
D	Title	Electrical Components Layout	Title	Electrical Components Layout	4	5	6	7	8		
	Title	Electrical Components Layout	Title	Electrical Components Layout	4	5	6	7	8		
D	Manufacturer	SHINI	Manufacturer	SHINI	4	5	6	7	8		
	Manufacturer	SHINI	Manufacturer	SHINI	4	5	6	7	8		



1		2		3		4		5		6		7		8	
NO.	Symbol	Name	Manufacturer	Type	Specification	Number	Material number	Remark							
1	Q1	Main Switch	EATON	P3-63/EA/SVB	63A	1	YE10636300000								
2	Q2	Circuit Breakers	TECO	BM-63C 63A	63A	1	YE40306303000								
3		Excitation Release	TECO	MX	24VAC	1	YE40024000000								
4	K1	Contactors	SIEMENS	3RT6016-1AB01	24VAC	1	YE00601602500								
5	K2 K3	Contactors	SIEMENS	3RT6027-1AC20	24VAC	2	YE00602702600								
6	F1	Thermo Overload Relay	SIEMENS	3RU6116-1HB0	5.5-8A	1	YE01160550000								
7	FU1	Fuse Base	CHNT	RT18-32	32A 2P	1	YE41032200000								
8		Fuse Core	MRO	10×38 500V	2A	2	YE46002000100								
9	FU2 FU3	Fuse	YINDA	FS-10	----	2	YE41001000000								
10		Fuse	----	6×30/5A	5A	1	YE46630500100								
11	T	Transformer	BAIYUN	IN=400V OUT=24VAC/230V	120VA/350mA	1	YE70040005500								
12	S1	Thermocouple	SHINI	----	----	1	----	(1)							
13	S2 S3	Thermocouple	SHINI	----	----	2	----	(1)(2)							
14	S4	Overheat Protector	----	----	----	1	----	(1)							
15	S5	Limit Switch	RENEW	SM1709-A/SZ-15GHW24-BA	250V 5(4)	1	----	(1)							
16	PC1A	Circuit Board	YUYUN	TM-01 (含通讯)	180~4.30V 50/60Hz	1	YE81012200300								
17	X1	Terminal Board	----	2.5mm <sup>2</sup>	----	8	YE60002503200								
18		Terminal Board	----	2.5mm <sup>2</sup>	----	2	YE60002503400								
19		Terminal Board	----	4.0mm <sup>2</sup>	----	2	YE60000403500								
20		Terminal Board	----	16mm <sup>2</sup>	----	3	YE60001603200								
21		Terminal Board	----	16mm <sup>2</sup>	----	1	YE60001603500								
22	M1	Motor	----	TP-280	400V 50Hz 2.8kW	1	----	(1)							
23	EH1 EH2	Heater	----	12kW	400V 50Hz	2	----	(1)							
24	FM1 FM2	Fan	----	----	230V 50/60Hz	2	----	(1)							
25	H1	Buzzer	----	PK-35A	24VAC	1	YE84003500600								
版本		Ver.E	Notes: (1)Means it's not the material inside the control box (2)Means equipped with function of displaying water outlet and return water temperature												
			Drawer	Version	F	Title	Drawing NO		Scale	Page					
			Designer	Approved by		STM-2440HT	STM-2440HT - CE-400V-F-4		Standard	CE	Totally	4			
			Proofread by			Electrical Components List					Voltage	400V			
Mark		Before modification	Modified by	Modify date	Date						Frequency	50HZ			
1					20170623							8			



信易电热机械股份有限公司  
Shini Plastics Technologies, Inc.