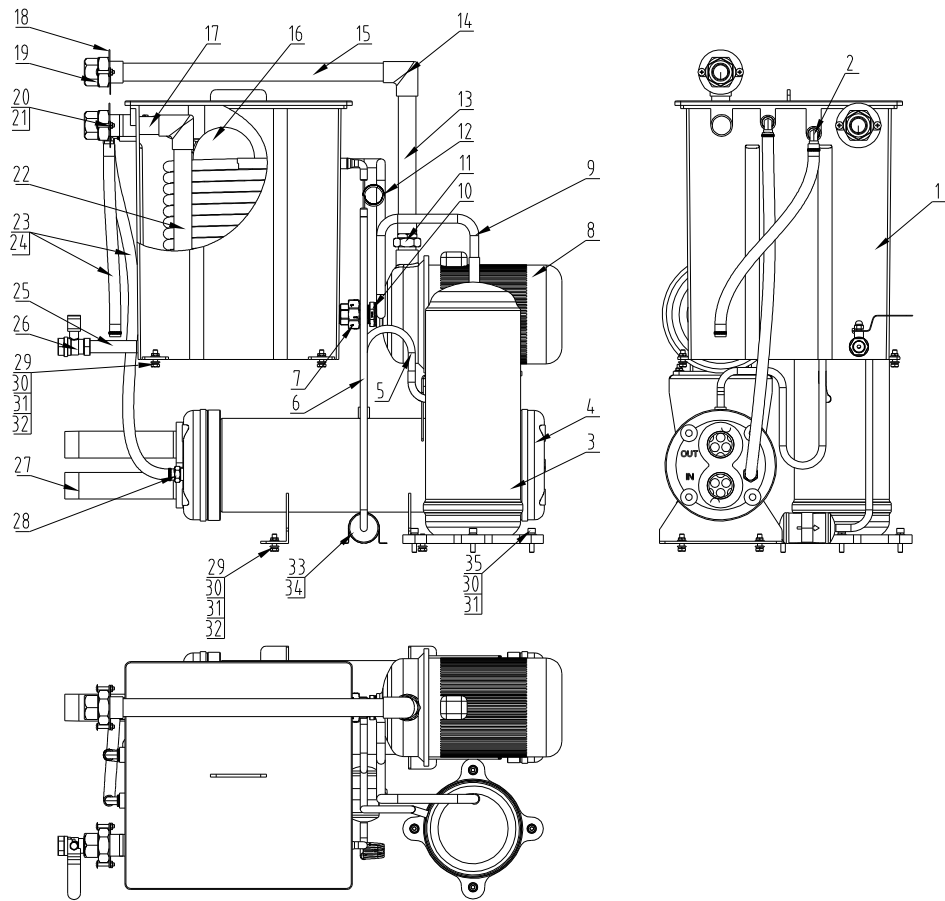


31	YW64000600300	Hexagonal nut GB/T6170 M6	Longzine	8	
30	YW66061300000	Flat washer A grade GB/T97.16	Longzine	8	
29	YW65006000100	Standard spring washer GB/T93.6	Longzine	8	
28	YW60061500100	Hexagon bolt GB/T5783 M6x16	Longzine	8	
27	SIC-5W-EB-A-ALL-12	Electrical base plate	SECC	1	
26	SIC-5W-EB-A-ALL-11	Control box	SPCC	1	
25	YW62063000000	Cross recessed pan head screw M6x30	Longzine	4	
24	SIC-5W-EB-A-ALL-10	Left side plate	SPCC	1	
23	SIC-5W-EB-A-ALL-09	Right side plate	SPCC	1	
22	SIC-5W-EB-A-ALL-08	Water tank installation plate	SPCC	1	
21	YW50121600100	1/2" L-shaped external thread insert 16MM	CU	1	
20	SIC-5W-EB-A-ALL-07	Crossbeam 1	SPCC	1	
19	SIC-5W-EB-A-ALL-06	Crossbeam	SPCC	1	
18	SIC-5W-EB-A-ALL-05	Rear plate	SPCC	1	
17	YW03000300000	3" black PPR castor with brake	Assembly	2	
16	YW03000300200	3" flexible black PPR castor	Assembly	2	
15	YW66081600000	Flat washer A grade (8.4x16x16)	Longzine	36	
14	YW65008000100	Standard spring washer 8	Longzine	26	
13	YW60081600100	Hexagon bolt M8x16-4.8	Longzine	16	
12	SIC-5W-EB-A-ALL-04	Left front pillar	SPCC	1	
11	YW62051000100	Cross recessed pan head screw M5x10	Longzine	12	
10	YW06203100400	Large chain CL203-1(left)(has mould)	Aluminium alloy	2	
9	SIC-5W-EB-A-ALL-03	Door plank	SPCC	1	
8	SIC-5W-EB-A-ALL-02	Top plate	SPCC	1	
7	YW62061000000	Cross recessed pan head screw M6x10	Longzine	26	
6	YW85005500000	High pressure gauge (0-55bar)	Assembly	1	
5	YW85003500000	Low pressure gauge (0-35bar)	Assembly	1	
4	YW61103400000	Cross recessed pan head screw M4x10A2-70		6	
3	YW00040600100	Door lock-short gear MF-406	Assembly	2	
2	SIC-5W-EB-A-ALL-01	Mefer plate	SPCC	1	
1	YE67001600000	Cable head PG16	Plastic	1	

32	SIC-5W-EB-A-ALL-13	Small cover plate	SPCC	1	
32	SIC-5W-EB-A-ALL-13	Bottom plate	Weldment	1	
序号	代号	名称	材质	数量	备注

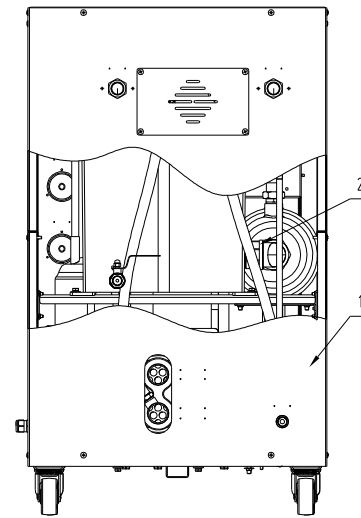
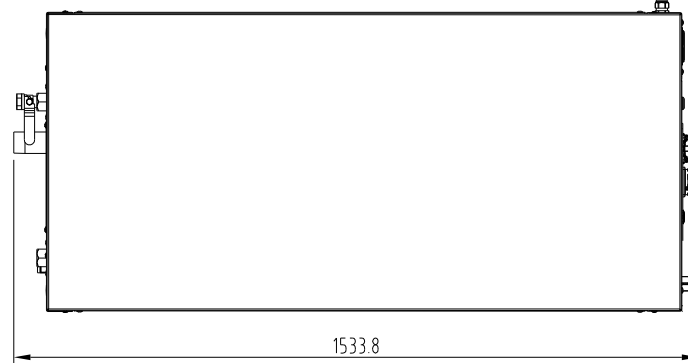
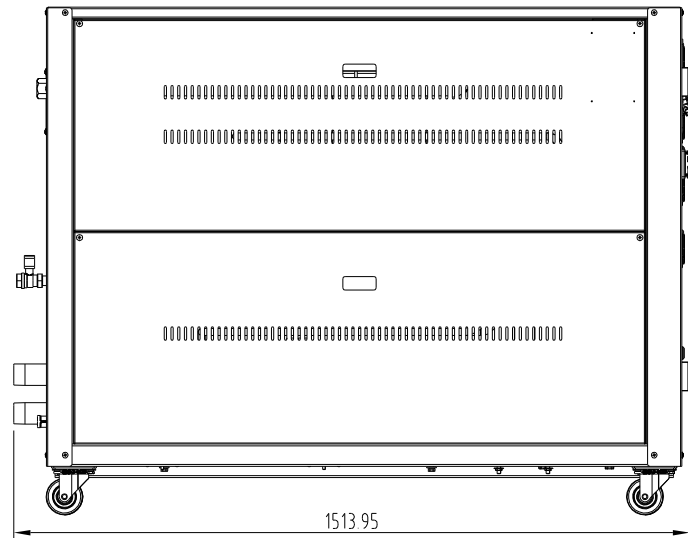
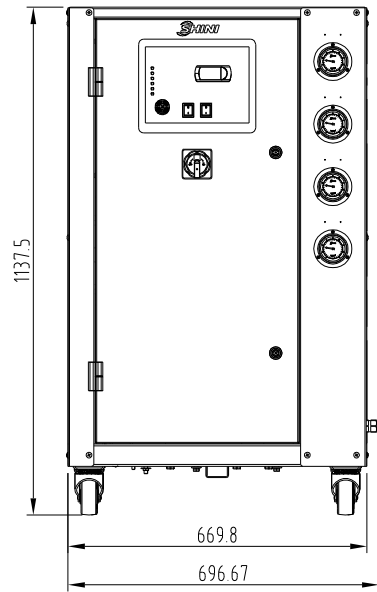
					制图	宁路生	版本号	0	标题	SIC-5W-EB	图号	SIC-5W-EB-A-ALL	比例	1:1	数量	1
					设计	宁路生	核准			机架			材质		Assembly	
					校对								表面要求			
标记	更改前	更改后	更改人	日期	审核		日期	20230506	 信易電熱機械股份有限公司 Shini Plastics Technologies, Inc.				本圖採用第一角画法			




31	YW66081600000	Flat washer A grade (8.4×16×16)	Longzine	10	
30	YW65008000100	Standard spring washer 8	Longzine	10	
29	YW60082500100	Hexagon screw bolt GB/T5783 M8×25	Longzine	10	
28	BH12121600010	Copper core 1/2 inch PT×16(S-133)	CU	1	
27	SIC-5W-EB-B-ALL-11	Cooling water inlet and outlet pipes	Q235A	2	
26	YW50010200100	Copper ball valve 1/2" PT	CU	1	
25	SIC-5W-EB-B-ALL-10	Drainage pipe	SUS201	1	BL44012000020
24	YW02182900000	Steel wire hose 18-29MM	SUS201	4	
23	YR60051000000	Steel wire rubber hose 0.5" × 100M temperature resistant100	PVC	15M	
22	SIC-5W-EB-B-ALL-09	Return water pipe 2	PPR	1	
21	YW64000600300	Hexagon nut GB/T6170 M6	Longzine	4	
20	YW62063000000	Cross recessed pan head screw M6×30	Longzine	4	
19	JW54000100600	PPR internal thread union 1" across 39MM	Assembly	2	
18	SIC-5W-EB-B-ALL-08	Connector fixing plate	SUS201	4	
17	SIC-5W-EB-B-ALL-07	Return water pipe 1	PPR	1	
16	YW59010200000	Ball switch 1/2"(copper)	Assembly	1	
15	SIC-5W-EB-B-ALL-06	Pump water outlet pipe 2	PPR	1	
14	JW53903200000	PPR equal diameter 90 degree elbow ø32	PPR	2	
13	SIC-5W-EB-B-ALL-05	Pump water outlet pipe1	PPR	1	
12	SIC-5W-EB-B-ALL-04	Capillary	TP2	1	
11	YW54000101500	PPR external thread union 1"	Assembly	1	
10	YW57125100100	Stainless steel joint 1.25"PT outer tooth × 1" PT inner tooth	SUS304	1	
9	SIC-5W-EB-B-ALL-03	Compressor liquid return pipe	TP2	1	
8	YM20700300100	Stainless steel single-stage centrifugal pump AMS70/0.37	Assembly	1	
7	YW50000104700	Stainless steel external wire flexible joint 1" external teeth	SUS304	1	
6	SIC-5W-EB-B-ALL-02	Filter piping 1	TP2	1	
5	SIC-5W-EB-B-ALL-01	Compressor exhaust pipe	TP2	1	
4	SIC-5W-EB-B-ALL-ALL	Welding diagram of condenser	Assembly	1	
3	YM70040400000	Compressor	Assembly	1	
2	YW50121600100	1/2" L-shaped external thread insert 16MM	CU	2	
1	xxxxxxxxxxxxxxx	Water tank evaporator WHFP-5N55	Assembly	1	

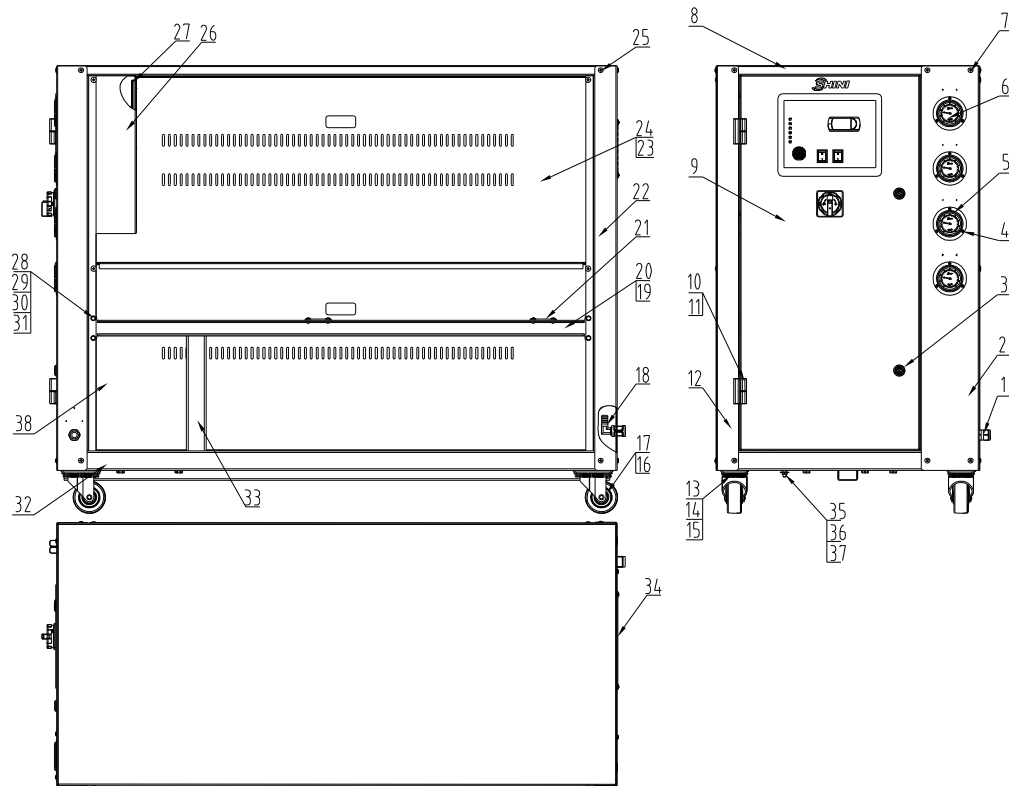
35	YW61083500000	Inner hexagon cylinder screw M8×35	Longzine	4	
34	SIC-5W-EB-B-ALL-12	Filter pressure block	SUS201	1	
33	YW85008300600	EK drying filter EK-083S	Assembly	1	
32	YW64080600000	Hexagon nut GB/T6170 M8	Longzine	10	
序号	代号	名称	材质	数量	备注

					制图	版号	0	标题	SIC-5W-EB	图号	SIC-5W-EB-B-ALL	比例	1:12	数量	1	
					设计	核准		内部结构				材质		Assembly		
					校对							表面要求				
标记	更改前	更改后	更改人	日期	审核	日期	20230506	 信易電熱機械股份有限公司 Shini Plastics Technologies, Inc.				本圖採用第一角画法				



2	SIC-10W-EB-B-ALL	Internal structure		1	
1	SIC-10W-EB-A-ALL	Rack		1	
序号	代号	名称	材质	数量	备注

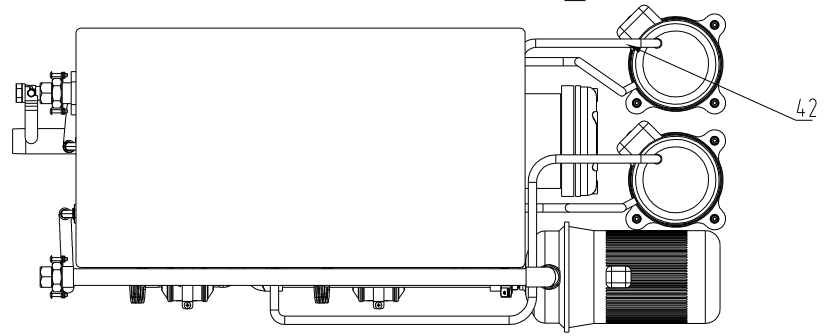
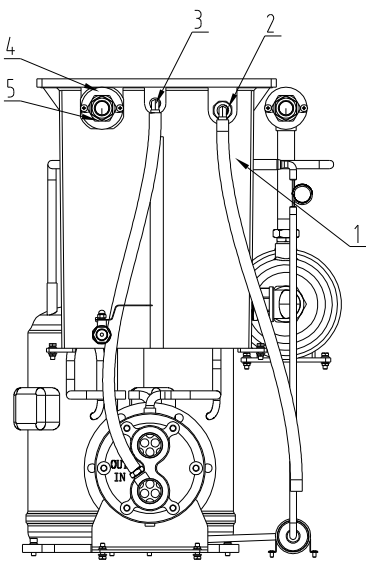
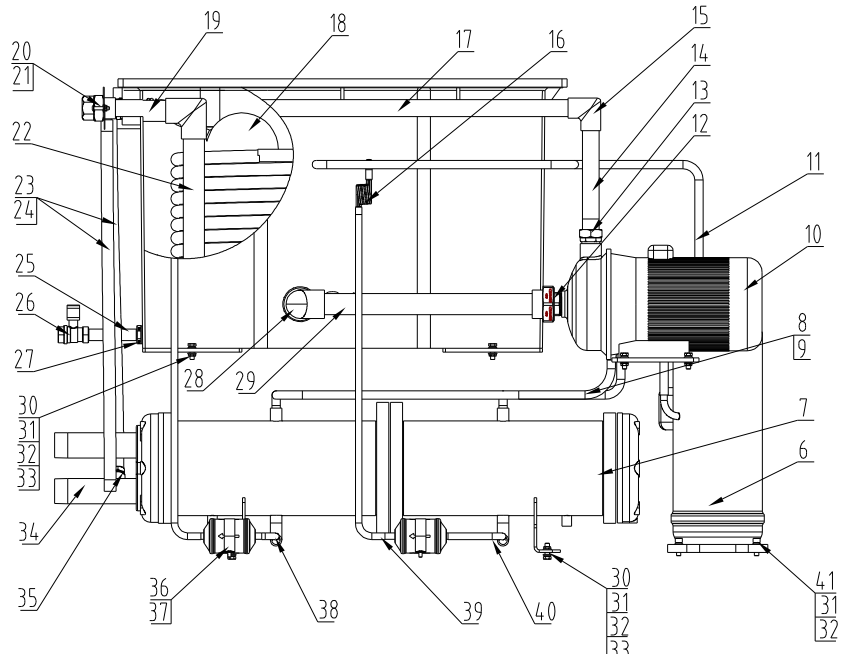
					制图	版号	0	标题	SIC-10W-EB	图号	SIC-10W-EB-ALL	比例	1:12	数量	1
					设计	核准		 信易電熱機械股份有限公司 Shini Plastics Technologies, Inc.				材质	组件		
					校对				表面要求						
标记	更改前	更改后	更改人	日期	审核	日期	20230708					本图采用第一角画法			



31	YW64000600300	Hexagonal nut GB/T6170 M6	Longzine	8	
30	YW66061300000	Flat washer A grade GB/T97.1 6	Longzine	8	
29	YW65006000100	Standard spring washer GB/T93 6	Longzine	8	
28	YW60061500100	Hexagon bolt GB/T5783 M6x16	Longzine	8	
27	SIC-5W-EB-A-ALL-12	Electrical base plate	SECC	1	
26	SIC-5W-EB-A-ALL-11	Control box	SPCC	1	
25	YW62063000000	Cross recessed pan head screw M6x30	Longzine	8	
24	SIC-10W-EB-A-ALL-10	Upper left side plate	SPCC	1	
23	SIC-10W-EB-A-ALL-09	Upper right side plate	SPCC	1	
22	SIC-10W-EB-A-ALL-08	Rear plate	SPCC	1	
21	SIC-10W-EB-A-ALL-07	Water tank installation plate	SPCC	1	
20	SIC-10W-EB-A-ALL-06	Crossbeam 1	SPCC	1	
19	SIC-10W-EB-A-ALL-05	Crossbeam	SPCC	1	
18	YW50121600100	1/2 "L-shaped external thread insert 16MM	CU	1	
17	YW03000300000	3" black PPR castor with brake	Assembly	2	
16	YW03000300200	3" flexible black PPR castor	Assembly	2	
15	YW66081600000	Flat washer A grade (8.4x16x1.6)	Longzine	36	
14	YW65008000100	Standard spring washer 8	Longzine	26	
13	YW60081600100	Hexagon bolt M8x16-4.8	Longzine	16	
12	SIC-10W-EB-A-ALL-04	Left front pillar	SPCC	1	
11	YW62051000100	Cross recessed pan head screw M5x10	Longzine	12	
10	YW06203100400	Large chain CL203-1(left)(has mould)	Aluminium alloy	2	
9	SIC-10W-EB-A-ALL-03	Door plank	SPCC	1	
8	SIC-10W-EB-A-ALL-02	Top plate	SPCC	1	
7	YW62061000000	Cross recessed pan head screw M6x10	Longzine	36	
6	YW85005500000	High pressure gauge (0~55bar)	Assembly	2	
5	YW85003500000	Low pressure gauge (0~35bar)	Assembly	2	
4	YW61103400000	Cross recessed pan head screw M4x10	A2-70	12	
3	YW00816100000	Door lock (MS816-1 blk)	Assembly	2	
2	SIC-10W-EB-A-ALL-01	Meter plate	SPCC	1	
1	YE67001600000	Cable head PG16	Plastic	1	

38	SIC-10W-EB-A-ALL-15	Lower side plate	SPCC	2	
37	YW66081900000	Flat washer M8	Longzine	8	
36	YW64080600000	Hexagonal nut M8	Longzine	4	
35	YW60082500100	Hexagon bolt M8x25	Longzine	4	
34	SIC-10A-EB-A-ALL-07	Small cover plate	SPCC	1	Borrowed
33	SIC-10W-EB-A-ALL-14	Water pump base	Weldment	1	
32	SIC-10W-EB-A-ALL-13	Bottom plate	Weldment	1	

序号	代号	名称	材质	数量	备注	序号	代号	名称	材质	数量	备注		
		制图	王鹏	版本号	0	标题	SIC-10W-EB	图号	SIC-10W-EB-A-ALL	比例	1:17	数量	1
		设计	宁路生	核准			机架			材质		Assembly	
		校对								表面要求			
标记	更改前	更改后	更改人	日期	审核	日期	20230708	SHINI 信易電熱機械股份有限公司 Shini Plastics Technologies, Inc.		本圖採用第一角画法			

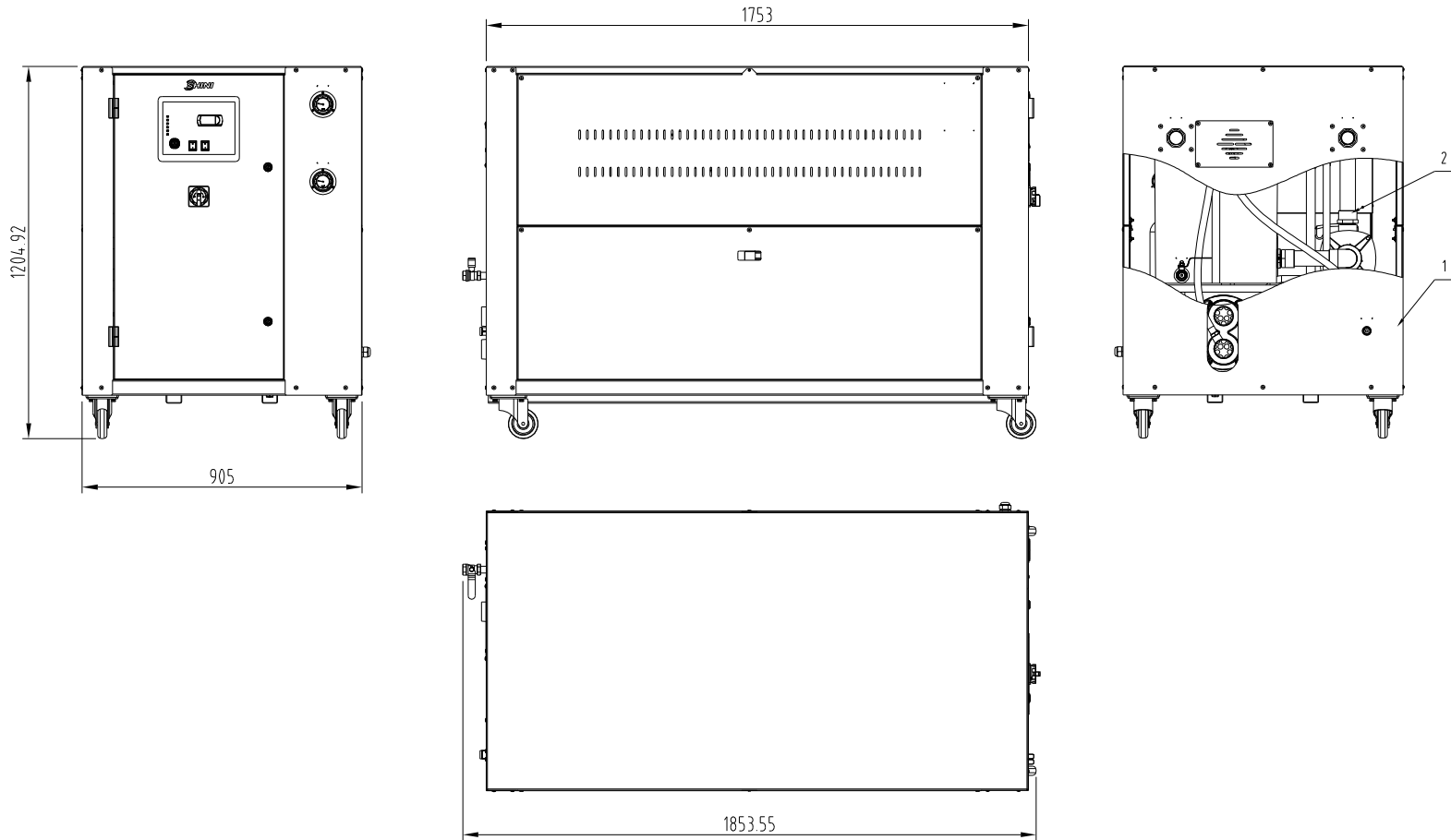


42	SIC-10W-EB-B-ALL-08	Compressor liquid return pipe2	TP2	1	
41	YW61083500000	Inner hexagon cylinder screw M8x35	Longzine	8	
40	SIC-10W-EB-B-ALL-07	Filter air outlet pipe2	TP2	1	
39	SIC-10W-EB-B-ALL-06	Filter copper tube	TP2	2	
38	SIC-10W-EB-B-ALL-05	Filter air outlet pipe1	TP2	1	
37	SIC-5W-EB-B-ALL-12	Filter pressure block	SUS201	2	Borrowed
36	YW85008300600	EK drying filter EK-083S	Assembly	2	
35	BH12121600010	Copper core 1/2 inch PT*+16(S-133)	CU	1	
34	SIC-10W-EB-B-ALL-04	Cooling water inlet and outlet pipes	Q235A	2	
33	YW64080600000	Hexagon nut GB/T6170 M8	Longzine	16	
32	YW66081600000	Flat washer A grade (8.4*16*1.6)	Longzine	24	
31	YW65008000100	Standard spring washer 8	Longzine	24	
30	YW60082500100	Hexagon screw bolt GB/T5783 M8x25	Longzine	16	
29	SIC-10A-EB-B-03	Pump inlet pipe	PPR	1	Borrowed
28	JW53012500300	PPR external thread elbow 125°	Assembly	1	
27	YW90011200100	Joint PVC1 "outer wire to 1/2" inner wire joint	PVC	1	
26	YW50010200100	Copper ball valve 1/2" PT	CU	2	
25	SIC-5W-EB-B-ALL-10	Drainage pipe	SUS201	1	Borrowed
24	YW02182900000	Steel wire hose 18-29MM	SUS201	4	
23	YR60051000000	Steel wire rubber hose 65*100M temperature resistant 100	PVC	2M	
22	SIC-10A-EB-B-05	Return water pipe 2	PPR	1	Borrowed
21	YW64000600300	Hexagon nut GB/T6170 M6	Longzine	4	
20	YW62063000000	Cross recessed pan head screw M6x30	Longzine	4	
19	SIC-10A-EB-B-04	Return water pipe 1	PPR	1	Borrowed
18	YW59010200000	Ball switch 1/2"(copper)	Assembly	1	
17	SIC-10A-EB-B-02	Pump water outlet pipe 2	PPR	1	Borrowed
16	SIC-5W-EB-B-ALL-04	Capillary	TP2	2	Borrowed
15	JW53903200000	PPR equal diameter 90 degree elbow φ32	PPR	2	
14	SIC-10A-EB-B-01	Pump water outlet pipe 1	PPR	1	Borrowed
13	YW54000101500	PPR external thread union 1"	Assembly	1	
12	JW54012500000	PPR external thread union 125°	Assembly	1	
11	SIC-10W-EB-B-ALL-03	Compressor liquid return pipe 1	TP2	1	
10	YM20700700100	Stainless steel single-stage centrifugal pump AMS70/0.75	Assembly	1	
9	SIC-10W-EB-B-ALL-02	Compressor exhaust pipe 2	TP2	1	
8	SIC-10W-EB-B-ALL-01	Compressor exhaust pipe 1	TP2	1	
7	BW86001000510	Condenser	Assembly	1	
6	YM70040400000	Compressor	Assembly	2	
5	JW54000100600	PPR internal thread union 1" access 39MM	Assembly	2	
4	SIC-5W-EB-B-ALL-08	Connector fixing plate	SUS201	4	Borrowed
3	YW50121600100	1/2" L-shaped external thread insert 16MM	CU	2	
2	YW90011200100	Joint PVC1 "outer wire to 1/2" inner wire joint	PVC	1	
1	YW87521300100	Water tank coil heat exchanger WHFP-SX2	Assembly	1	


序号	代号	名称	材质	数量	备注
				19	数量 1
				材质	组合件
			表面要求		RAL9010&7021
			物料号		

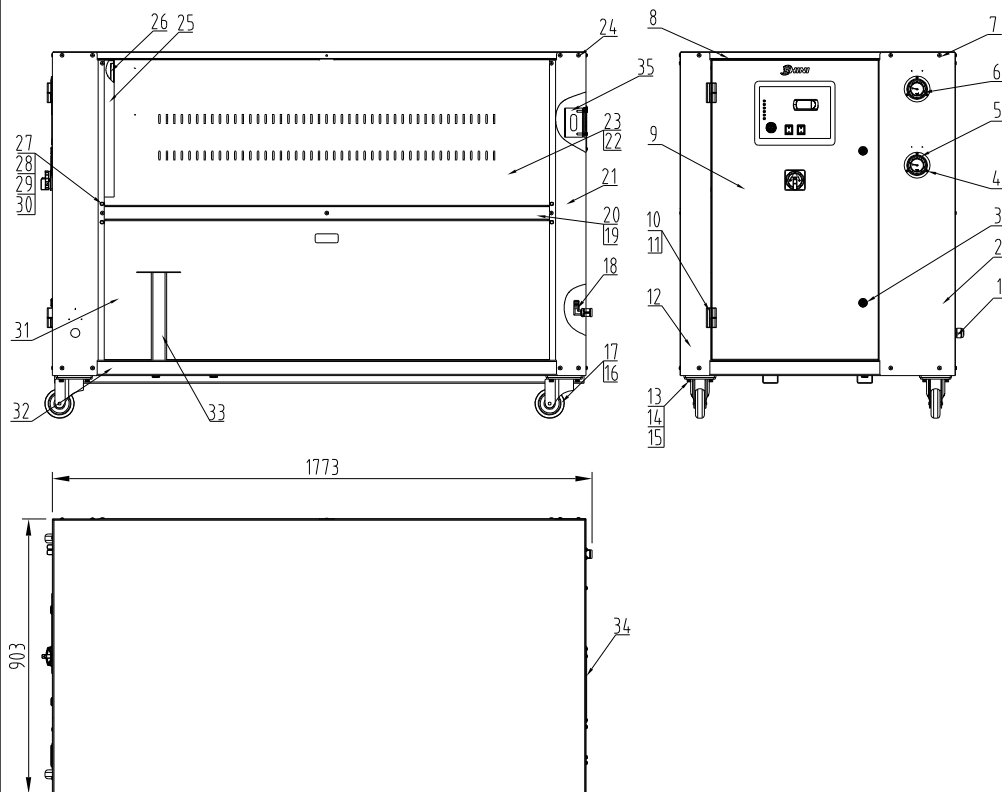
制图	版号	0	标题	STM-10W-EB	图号	SIC-10W-EB-B-ALL
设计	核准		内部结构			
校对	审核					
标记	更改前	更改后	更改人	日期	日期	20230712





2	SIC-15W-EB-B-ALL	Internal structure		1	
1	SIC-15W-EB-A-ALL	Rack		1	
序号	代号	名称	材质	数量	备注

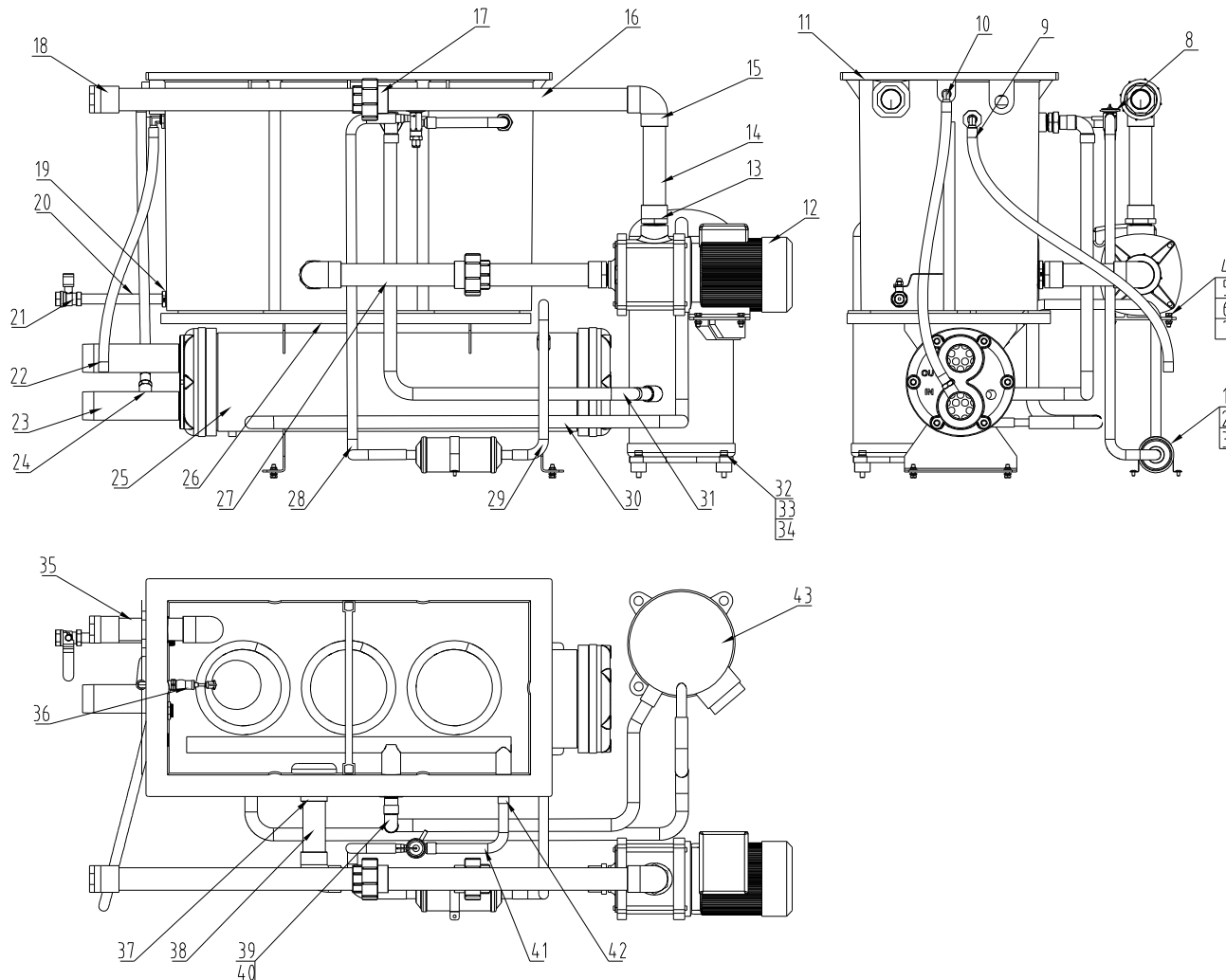
					制图	版号	0	标题	SIC-15W-EB	图号	SIC-15W-EB-ALL	比例	1:20	数量	1
					设计	核		总装图				材质	组件		
					校对	准						表面要求			
标记	更改前	更改后	更改人	日期	审核	日期	20231027	 信易電熱機械股份有限公司 Shini Plastics Technologies, Inc.				本图采用第一角画法			



31	SIC-15W-EB-A-ALL-10	Lower side plate	SPCC	2	
30	YW64000600300	Hexagonal nut GB/T6170 M6	Longzine	8	
29	YW66061300000	Flat washer A grade GB/T97.1 6	Longzine	8	
28	YW65006000100	Standard spring washer GB/T93 6	Longzine	8	
27	YW60061500100	Hexagon bolt GB/T5783 M6x16	Longzine	8	
26	SIC-15W-EB-A-ALL-09	Electrical base plate	SECC	1	
25	SIC-15W-EB-A-ALL-08	Control box	SPCC	1	
24	YW62063000000	Cross recessed pan head screw M6x30	Longzine	10	
23	SIC-15W-EB-A-ALL-07	Upper left side plate	SPCC	1	
22	SIC-15W-EB-A-ALL-06	Upper right side plate	SPCC	1	
21	SIC-15W-EB-A-ALL-05	Rear plate	SPCC	1	
20	SIC-15A-EB-A-ALL-15	Right crossbeam	SPCC	1	Borrowed
19	SIC-15A-EB-A-ALL-14	Left Crossbeam	SPCC	1	Borrowed
18	YW50121600100	1/2 "L-shaped external thread insert 16MM	CU	1	
17	YW03000400000	4" black PPR castor with brake	Assembly	2	
16	YW03000400200	4" flexible black PPR castor	Assembly	2	
15	YW66081600000	Flat washer A grade (8.4x16x1.6)	Longzine	36	
14	YW65008000100	Standard spring washer 8	Longzine	26	
13	YW60081600100	Hexagon bolt M8x16-4.8	Longzine	16	
12	SIC-15W-EB-A-ALL-04	Left front pillar	SPCC	1	
11	YW62051000100	Cross recessed pan head screw M5x10	Longzine	14	
10	YW06203100400	Large chain CL203-11(left)(has mould)	Aluminium alloy	2	
9	SIC-15W-EB-A-ALL-03	Door plank	SPCC	1	
8	SIC-15W-EB-A-ALL-02	Top plate	SPCC	1	
7	YW62061000000	Cross recessed pan head screw M6x10	Longzine	36	
6	YE10254000300	High pressure switch opens at 2.5MPa and closes at 4.0MPa	Assembly	1	
5	YE10050600300	Low pressure switch 0.5MPa open 0.6MPa closed	Assembly	1	
4	YW63040600000	Cross recessed pan head screw M4x6	A2-70	6	
3	YW00816100000	Door lock (MS816-1 blk.)	Assembly	2	
2	SIC-15W-EB-A-ALL-01	Mefer plate	SPCC	1	
1	YE67002100000	Cable head PG21	Plastic	1	

35	SIC-15A-EB-A-ALL-17	PVC fixing plate	SPCC	2	Borrowed
34	SIC-15A-EB-A-ALL-07	Small cover plate	SPCC	1	Borrowed
33	SIC-15W-EB-A-ALL-12	Water pump base	Weldment	1	
32	SIC-15W-EB-A-ALL-11	Bottom plate	Weldment	1	
序号	代号	名称	材质	数量	备注

				制图	王鹏	版号	0	标题	SIC-15W-EB	图号	SIC-15W-EB-A-ALL	比例	1:20	数量	1
				设计	宁路生	核		机架				材质	Assembly		
				校对		准		SHINI 信易電熱機械股份有限公司 Shini Plastics Technologies, Inc.				表面要求	本图采用第一角画法		
标记	更改前	更改后	更改人	日期	审核	日期	20231027								



43	YM70018200000	Compressor ZP182KCE-TFD	Assembly	1	
42	YW50222200100	Socket outer wire copper union φ 22.22 × 3/4"		1	
41	SIC-15W-EB-B-ALL-07	Expansion valve connecting pipe 2	CU	1	
40	YW05000900000	90 degree copper elbow 9/8" (drawing number: SIC-026)		1	
39	YW50285800100	Socket outer wire copper union φ 28.58 × 1"		1	
38	SIC-15A-EB-B-01	Water pump connection pipe 1	PVC	1	Borrowed
37	YW90021500100	Joint PVC2 "outer thread to 15" inner thread joint	PVC	1	
36	YW59010200000	Ball switch 1/2"(copper)	Assembly	1	
35	SIC-15A-EB-B-06	Water outlet pipe	PVC	1	Borrowed
34	YW66102000100	Flat washer A grade 10(11x20x2)	Longzine	4	
33	YW65010000000	Standard spring washer 10	Longzine	4	
32	YW61105000000	Inner hexagon cylinder screw M10×50	Longzine	4	
31	SIC-15W-EB-B-ALL-06	Water tank connecting pipe	CU	1	
30	SIC-15W-EB-B-ALL-05	Compressor connecting pipe 2	CU	1	
29	SIC-15W-EB-B-ALL-04	Compressor connecting pipe 1	CU	1	
28	SIC-15W-EB-B-ALL-03	Expansion valve connecting pipe 1	CU	1	
27	SIC-15A-EB-B-05	Water pump connecting pipe 4	PVC	2	Borrowed
26	SIC-15W-EB-B-ALL-02	Water tank placement plate	SPCC	1	
25	BW86420200010	Condenser SIC-42W-R2-L-ALL		1	
24	BH12121600010	Copper core 1/2 inch PT-φ16IS-133	CU	1	
23	SIC-15W-EB-B-ALL-01	Cooling water inlet and outlet pipes	Q235A	2	
22	YW02182900000	Steel wire hose 18-29MM	SUS201	4	
21	YW50010200100	Copper ball valve 1/2" PT	CU	1	
20	SIC-15A-EB-B-04	Drainage pipe	SUS201	1	Borrowed
19	YW90011200100	Joint PVC1 "outer wire to 1/2" inner wire joint	PVC	1	
18	JR41015000100	PVC-U water supply pipe inner thread direct joint De50 × 15"	PVC	2	
17	YW54001503100	PVC-U water supply pipe union De50 Liansu	PVC	2	
16	SIC-15A-EB-B-03	Water pump connecting pipe 3	PVC	2	Borrowed
15	JR41015001100	PVC-U water supply pipe 90 degree elbow De50 Liansu		3	
14	SIC-15A-EB-B-02	Water pump connecting pipe 2	PVC	2	Borrowed
13	JR41001501300	PVC-U water supply pipe outer thread direct joint De50 × 15"		2	
12	YM20831100100	Liou water pump EMH8-3/1	Assembly	1	
11	YW87151600100	Water tank coil heat exchanger WHF-P-15161	Assembly	1	
10	YW50121600100	1/2" L-shaped external thread insert 16MM	CU	2	
9	YR60051000000	Steel wire rubber hose 0.5" × 10MM temperature resistant 100	PVC	2M	
8	YW85001300000	Expansion valve TGE113 5/8 inch × 7/8 inch	Assembly	1	
7	YW60082500100	Hexagon screw bolt GB/T5783 M8×25	Longzine	16	
6	YW64080600000	Hexagon nut GB/T6170 M8	Longzine	24	
5	YW66081600000	Flat washer A grade (8.4×16×1.6)	Longzine	24	
4	YW65008000100	Standard spring washer 8	Longzine	16	
3	SIC-15A-EB-C-07	Filter pressure block	SPCC	1	Borrowed
2	YW62061000000	Large cross socket flat head screw M6×10-Longzine	Longzine	2	
1	YW85030500100	Drying filter EK305S(EMERSON)	Assembly	1	

序号	代号	名称	材质	数量	备注
		标题	STM-15W-EB	图号	SIC-15W-EB-B-ALL
		版号	0		
		设计	核准		
		校对			
		审核			
标记	更改前	更改后	更改人	日期	20231030
				比例	1:1
				数量	1
				材质	组合件
				表面要求	RAL9010&7021
				物料号	

SHINI 信易电热机械股份有限公司
Shini Plastics Technologies, Inc.