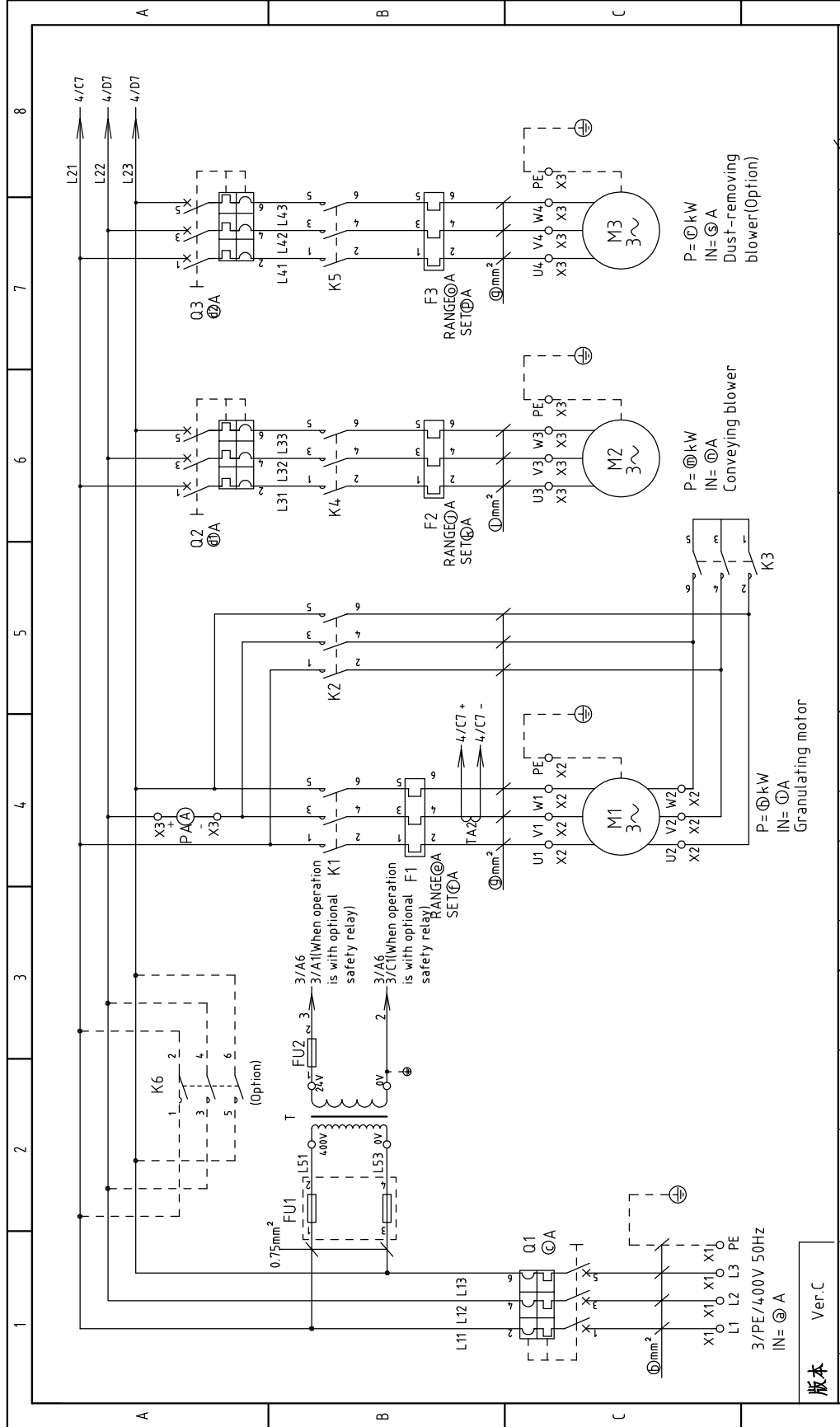


- Ⓐ Total current
- Ⓑ Dust-removing blower breaker rated current
- Ⓒ Main power wire dia.
- Ⓓ Main breaker rated current
- Ⓔ Conveying blower breaker rated current
- Ⓚ Granulating motor wire diameter
- Ⓛ Granulating motor power
- Ⓜ Conveying blower power
- Ⓨ Granulating motor current
- Ⓩ Conveying blower current
- ⓐ Granulating motor wire diameter
- ⓑ Granulating motor power
- ⓓ Conveying blower power
- ⓔ Granulating motor current
- ⓕ Conveying blower current
- ⓖ Default granulating motor overload relay
- ⓗ Default conveying blower overload relay
- Ⓢ Dust-removing blower breaker rated current
- Ⓣ Dust-removing blower wire diameter
- Ⓤ Default dust-removing blower overload relay
- Ⓥ Dust-removing blower wire dia.
- Ⓦ Dust-removing blower power
- Ⓧ Dust-removing blower current
- Ⓨ Dust-removing blower current overload relay

Mode	Symbol	VER.	(a)	(b)	(c)	(d)	(e)	(f)	(g)	(h)	(i)	(j)	(k)	(l)	(m)	(n)	(o)	(p)	(q)	(r)	(s)	
SG-3060		VER.C	31.5	10	60	6	6	14-20	17	4.0	15	29	1.4-2	1.4	2.5	0.55	1.4	0.9-1.25	0.9	2.5	0.25	0.9
SG-3048		VER.C	24.5	6.0	50	6	6	11-16	13	2.5	11	22	1.4-2	1.4	2.5	0.55	1.4	0.9-1.25	0.9	2.5	0.25	0.9
SG-2348		VER.C	24.5	6.0	50	6	6	11-16	13	2.5	11	22	1.4-2	1.4	2.5	0.55	1.4	0.9-1.25	0.9	2.5	0.25	0.9
SG-2336		VER.C	18.5	6.0	40	6	6	14-20	16	4.0	7.5	16	1.4-2	1.4	2.5	0.55	1.4	0.9-1.25	0.9	2.5	0.25	0.9
SG-2324		VER.C	14.5	4.0	40	6	6	11-16	12	2.5	5.5	12	1.4-2	1.4	2.5	0.55	1.4	0.9-1.25	0.9	2.5	0.25	0.9

版本 Ver.C

Mark	Before modification	Modified by	Modify date	Checked by	Date	20170424	E	Version	Approved by	Title	Drawing NO.		Scale	Page 1
	After modification	Modified by	Modify date								Power, wire diameter, Ammeter	SG-23/30-CE-400V-E-1	Standard	Totally 19
										SHINI		Voltage		400V
										信易塑料机械股份有限公司 Shini Plastics Technologies, Inc.		Frequency		50Hz
										SG-23/30		Standard		CE
										Power, wire diameter, Ammeter		Voltage		400V
										SG-23/30-CE-400V-E-1		Frequency		50Hz
										SHINI		Totally 19		8

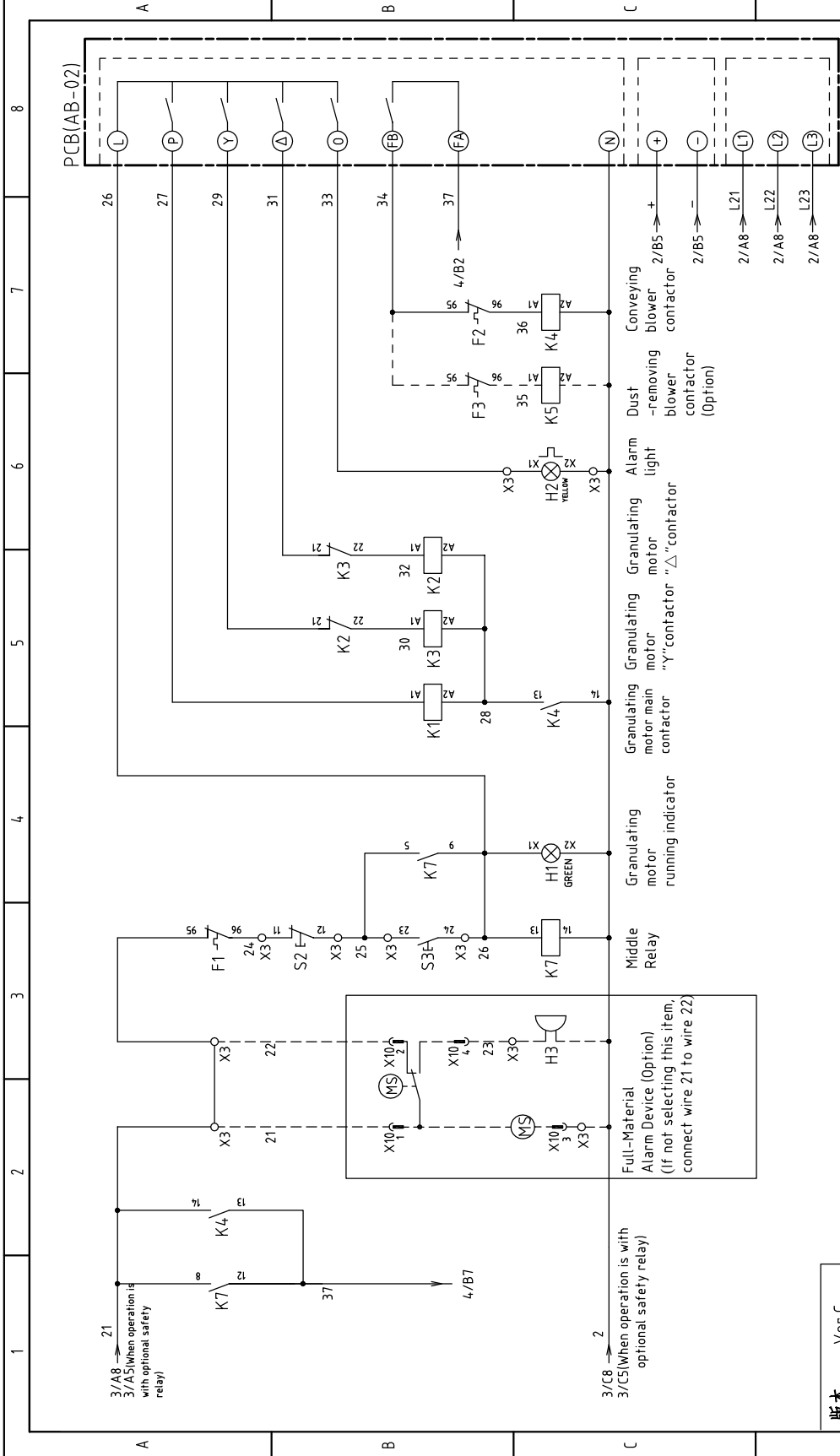


版本 Ver.C

D		E		F		G		H		
Mark	Before modification	Modified by	Modify date	Checked by	Date	Approved by	Version	Title	Drawing No.	
					20170424			SG-2348/30	SG-23/30-CE-4.00V-E-2	
								Main Circuit Diagram	Standard	
										Scale
										Totally 19 Pages
										4.00V
										50HZ
										CE
										Voltage
										Frequency



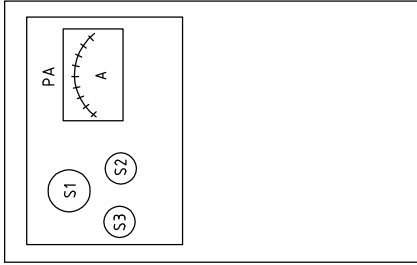
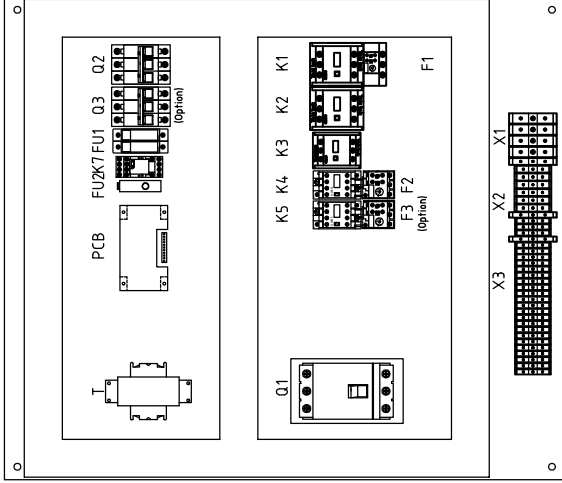




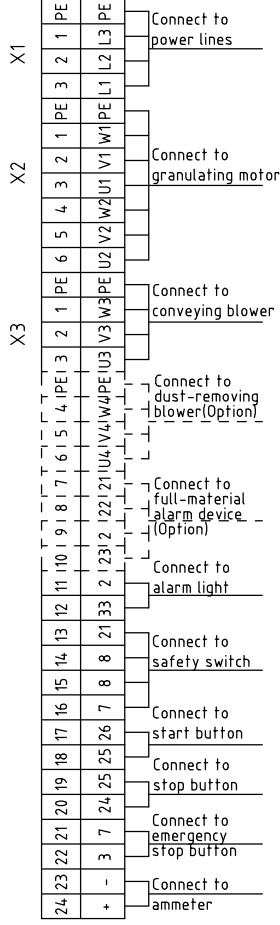
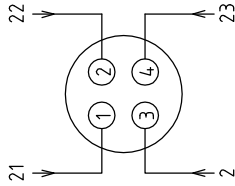
Ver.C

Title		Drawing NO.		Scale	Page
SG-23/48/30		SG-23/30-CE-400V-E-4		Standard	Totally 19
Control Circuit Diagram 2		Voltage		400V	
SHINI 信易塑料機械股份有限公司 Shini Plastics Technologies, Inc.		Frequency		50HZ	
Version	Approved By	Date	8		
E		20170424	7		
Drawer	Designer	Proofread by	6		
		Checked by	5		
		Modify date	4		
		Modified by	3		
		Before modification	2		
Mark		After modification	1		

1 2 3 4 5 6 7 8



Connection diagram of X10 metal connectors (option)



版本 Ver.C

Title		Drawing No.		Scale	Page
SG-2348/30		SG-23/30-CE-400V-E-5		Standard	5
Electrical Components Layout (No. option of safety relay)					Totally 19 Pages
					Voltage 400V
					Frequency 50HZ
Mark	Before modification	After modification	Modify date	Date	
				20170424	
Designer	Proofread by	Checked by	Approved by	Version	
				E	



1 2 3 4 5 6 7 8



1	2		3	4	5	6	7	8	
NO.	Symbol	Name	Manufacturer	Type	Specification	Number	Material number	Remark	
1	Q1	Breaker interlock	ABB	A1A125TMF60	60A	1	YE41106200000		
2	Q2	Circuit breaker	TECO	BM-63C	6A	1	YE40300603000		
3	Q3	Circuit breaker	TECO	BM-63C	6A	1	YE40300603000	(2)	
4	K1	Contactor	SIEMENS	3RT6026-1AC20	24V 50/60Hz	1	YE00602602600		
5	K2	Contactor	SIEMENS	3RT6026-1AC20	24V 50/60Hz	1	YE00602602600		
6	K3	Contactor	SIEMENS	3RT6025-1AC20	24V 50/60Hz	1	YE00602502600		
7	K4	Contactor	SIEMENS	3RT6016-1AB01	24V 50/60Hz	1	YE00601602500		
8		Auxiliary contactor	SIEMENS	3RH6911-1HA11	1NC+1NO	1	YE00691100100		
9	K5	Contactor	SIEMENS	3RT6016-1AB02	24V 50/60Hz	1	YE00601602600	(2)	
10	K6	Contactor	SIEMENS	3RT6028-1AC20	24V 50/60Hz	1	YE00602802600	(4)	
11	K7	Middle relay	Honeywell	GR-2C-AC24V	24VAC	1	YE03022400300		
12	K7	Middle relay	Honeywell	GR-4C-AC24V	24VAC	1	YE03042400300	(4)	
13	K8	Safety relay	PILZ	PN0Z*2.8P	24V AC/DC	1	YE04023000000	(4)	
14	F1	Overload relay	SIEMENS	3RU6126-4BB0	1A-20A	1	YE01260140000		
15	F2	Overload relay	SIEMENS	3RU6116-1BB0	1.4-2A	1	YE01160140000		
16	F3	Overload relay	SIEMENS	3RU6116-0KB0	0.9-1.25A	1	YE01160900000	(2)	
17	FU1	Fuse	CHNT	MRO/32A/2P	32A	1	YE41032200000		
18		Fuse core	CHNT	10x38 500V	2A	2	YE46002000100		
19	FU2	Fuse	YINDA	FS-10	2A	1	YE41001000000		
20		Glass tube	---	6x30	5A	1	YE46630500100		
21	T	Transformer	BAIYUN	IN=400V OUT=24V	120VA	1	YE70402400700		
22	X1	Terminal	HONEYWELL	10mm <sup>2</sup>	---	3	YE60001003200		
23			HONEYWELL	10mm <sup>2</sup> PE	---	1	YE60001003500		
24	X2	Terminal	HONEYWELL	4mm <sup>2</sup>	---	6	YE60000403200		
25			HONEYWELL	4mm <sup>2</sup> PE	---	1	YE60000403500		
Ver.C		Notes: (1)Means it's not the material inside the control box.(2)Means optional accessories of dedusting blower.(3)Means optional accessories of full-receive alarm device.(4)Stand for optional safety relay							
D				Title SG-3060 Electrical Components List 1		Drawing NO. SG-23/30-CE-400V-E-7		Page 7 Totally 19 Pages	
Mark				Before modification		After modification		Voltage 4.00V Frequency 50HZ	
1				2		3		4	
5				6		7		8	



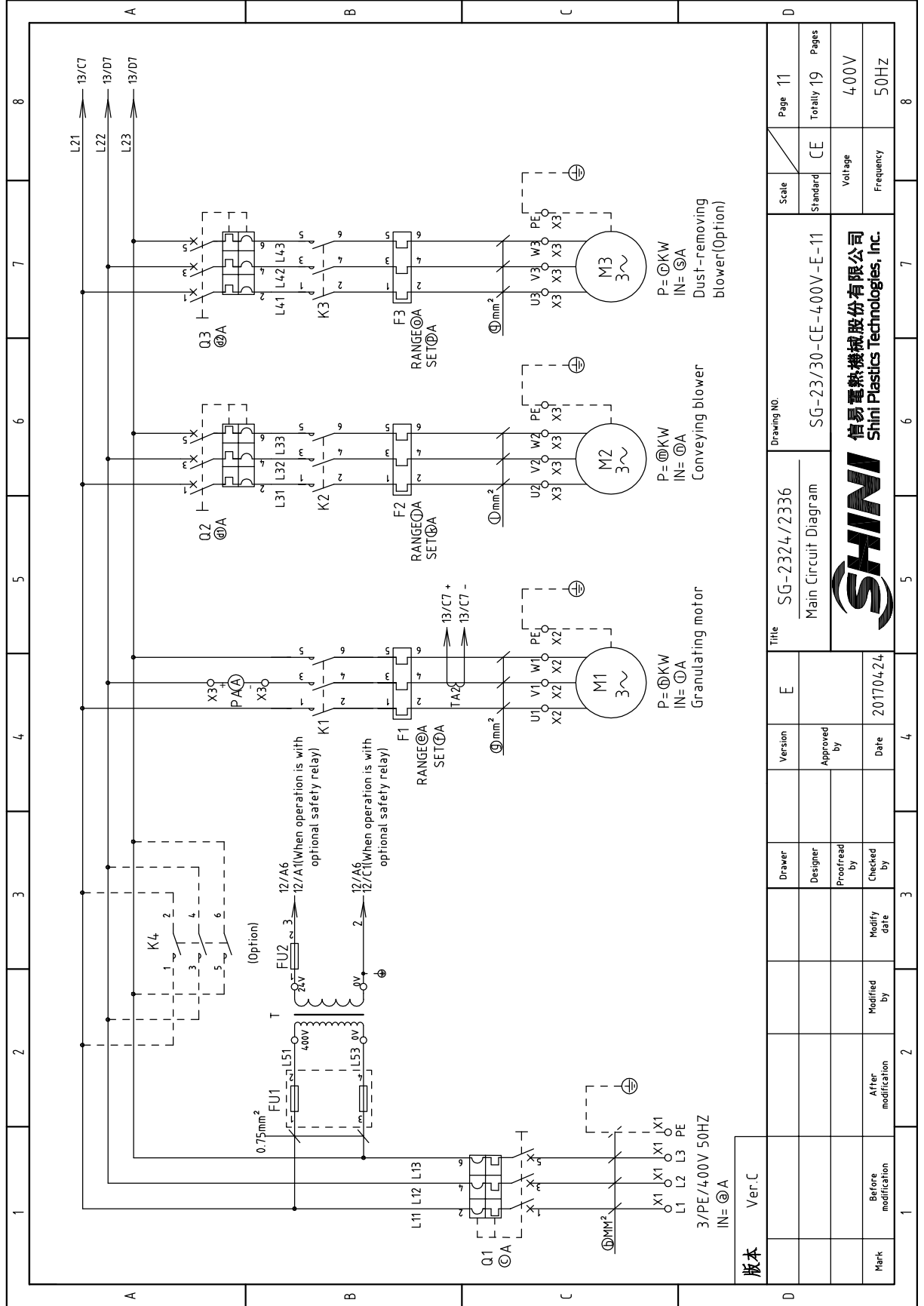
1		2		3		4		5		6		7		8	
NO.	Symbol	Name	Manufacturer	Type	Specification	Number	Material number	Remark							
26	X3	Terminal	HONEYWELL	6mm <sup>2</sup>	---	2	YE60000603200								
27			HONEYWELL	2.5mm <sup>2</sup>	---	15	YE60002503200								
28			HONEYWELL	2.5mm <sup>2</sup> PE	---	1	YE60002503400								
29			HONEYWELL	2.5mm <sup>2</sup>	---	3	YE60002503200	(2)							
30			HONEYWELL	2.5mm <sup>2</sup> PE	---	1	YE60002503400	(2)							
31			HONEYWELL	2.5mm <sup>2</sup>	---	4	YE60002503200	(3)							
32			HONEYWELL	2.5mm <sup>2</sup>	---	8	YE60002503200	(4)							
33	X10	Metal joint	SHINI	PLT-254PM	4P	1	YE68025400000	(1)(3)							
34			SHINI	PLT-254RF	4P	1	YE68025400100	(1)(3)							
35	PCB	PCB	YUYUN	AB-02	24VAC	1	YE80022400100								
36	S1	Emergency stop button	SCHNEIDER	XB2BS542C	400VAC	1	YE11254200000	(1)							
37		Contact block	SCHNEIDER	ZB2BE102C	1NC	1	YE00210203100	(1)(4)							
38	S2	Stop button	SCHNEIDER	XB2BA22C	400VAC	1	YE11222000000	(1)							
39	S3H1	Start button	SCHNEIDER	XB2BW33B1C	24VAC	1	YE11233100000	(1)							
40		Contact block	SCHNEIDER	ZB2BE101C	1NO	1	YE00210103100	(1)(4)							
41	S4, S5	Safety switch	SCHMERSRC	AZ15-02ZVRK-1476	AZ-15	2	YE16147600100	(1)							
42	S4, S5	Safety switch	SCHMERSRC	AZ16-02ZVRK-1476	AZ-16	2	YE16147600000	(1)(4)							
43	H2	Alarm light	SHINI	LED-3051	24VAC	1	YE83305100900	(1)							
44	H3	Buzzer	TEND	EA-2	24VAC	1	YE84240200000	(1)(3)							
45	MS	Material level sensor	SIPAI	SR-80	24VAC	1	YE5802400100	(1)(3)							
46	TA2	Current transformer	YUYUN	-----	5-100A	1	-----								
47	PA	Ammeter	SFIM	DH-670	50A	1	YE25675000000	(1)							
48	M1	Granulating motor	-----	15KW	400V 50Hz	1	-----	(1)							
49	M2	Suction blower	-----	0.55KW	400V 50Hz	1	-----	(1)							
50	M3	Dust-removing blower	-----	0.25KW	400V 50Hz	1	-----	(1)(2)							
版本		Ver.C	Notes: (1)Means it's not the material inside the control box.(2)Means optional accessories of dedusting blower.(3)Means optional accessories of full-receive alarm device.(4)Stand for optional safety relay.												
			Drawer	Version	E	Title		Drawing NO.		Scale	Page	8			
			Designer	Approved by	Electrical Components List 2			SG-3060		Standard	Totally	19			
			Proofread by	Date	SHINI			信易塑料机械股份有限公司		CE	Voltage	4.00V			
			Checked by	20170424	SHINI			Shini Plastics Technologies, Inc.		Frequency	50Hz				
Mark	Before modification	After modification	Modified by	Modify date	5		6		7		8				



1	2		3	4	5	6	7	8
NO.	Symbol	Name	Manufacturer	Type	Specification	Number	Material number	Remark
1	Q1	Breaker interlock	ABB	A1A125TMF50	50A	1	YE4.1105200000	
2	Q2	Circuit breaker	TECO	BM-63C	6A	1	YE4.0300603000	
3	Q3	Circuit breaker	TECO	BM-63C	6A	1	YE4.0300603000	(2)
4	K1	Contactor	SIEMENS	3RT6025-1AC20	24VAC 50/60Hz	1	YE00602502600	
5	K2	Contactor	SIEMENS	3RT6025-1AC20	24VAC 50/60Hz	1	YE00602502600	
6	K3	Contactor	SIEMENS	3RT6018-1AB02	24VAC 50/60Hz	1	YE00601802600	
7	K4	Contactor	SIEMENS	3RT6016-1AB01	24VAC 50/60Hz	1	YE00601602500	
8		Auxiliary contactor	SIEMENS	3RH6911-1HA11	1NC+1NO	1	YE00691100100	
9	K5	Contactor	SIEMENS	3RT6016-1AB02	24VAC 50/60Hz	1	YE00601602600	(2)
10	K6	Contactor	SIEMENS	3RT6027-1AC20	24VAC 50/60Hz	1	YE00602702600	(4)
11	K7	Middle relay	Honeywell	GR-2C-AC24V	24VAC	1	YE03022400300	
12	K7	Middle relay	Honeywell	GR-4C-AC24V	24VAC	1	YE03042400300	(4)
13	K8	Safety relay	PILZ	PN0Z*2.8P	24V AC/DC	1	YE04023000000	(4)
14	F1	Overload relay	SIEMENS	3RU6126-4AB0	11-16A	1	YE01260110000	
15	F2	Overload relay	SIEMENS	3RU6116-1BB0	1.4-2A	1	YE01160140000	
16	F3	Overload relay	SIEMENS	3RU6116-0KB0	0.9-1.25A	1	YE01160900000	(2)
17	FU1	Fuse	CHNT	MRO/32A/2P	32A	1	YE41032200000	
18		Fuse core	CHNT	10x38 500V	2A	2	YE46002000100	
19	FU2	Fuse	YINDA	FS-10	---	1	YE41001000000	
20		Glass tube	---	6x30	5A	1	YE46630500100	
21	T	Transformer	BAIYUN	IN=400V OUT=24V	120VA	1	YE70402400700	
22	X1	Terminal	HONEYWELL	6mm <sup>2</sup>	---	3	YE60000603200	
23			HONEYWELL	6mm <sup>2</sup> PE	---	1	YE60000603500	
24	X2	Terminal	HONEYWELL	2.5mm <sup>2</sup>	---	6	YE60002503200	
25			HONEYWELL	2.5mm <sup>2</sup> PE	---	1	YE60002503400	
<b>版本</b> Ver.C Notes: (1)Means it's not the material inside the control box.(2)Means optional accessories of dedusting blower.(3)Means optional accessories of full-receive alarm device.(4)Stand for optional safety relay.								
				E	Title SG-3048/2348	Drawing NO.	Scale	Page 9
				Version	Electrical Components List 1	SG-23/30-CE-400V-E-9	Standard	CE
				Designer	Approved by	Voltage	400V	Pages
				Proofread by	Date	Frequency	50Hz	Totally 19
				Checked by	Date	20170424		
				Modified by	Modify date			
				Before modification				
				After modification				
1	2	3	4	5	6	7	8	



1		2		3		4		5		6		7		8	
NO.	Symbol	Name	Manufacturer	Type	Specification	Number	Material number	Remark							
26	X3	Terminal	HONEYWELL	4mm <sup>2</sup>	---	2	YE60000403200								
27			HONEYWELL	2.5mm <sup>2</sup>	---	15	YE60002503200								
28			HONEYWELL	2.5mm <sup>2</sup> PE	---	1	YE60002503400								
29			HONEYWELL	2.5mm <sup>2</sup>	---	3	YE60002503200	(2)							
30			HONEYWELL	2.5mm <sup>2</sup> PE	---	1	YE60002503400	(2)							
31			HONEYWELL	2.5mm <sup>2</sup>	---	4	YE60002503200	(3)							
32			HONEYWELL	2.5mm <sup>2</sup>	---	8	YE60002503200	(4)							
33	X10	Metal joint	SHINI	PLT-254-PM	4P	1	YE68025400000	(1)(3)							
34			----	PLT-254-RF	4P	1	YE68025400100	(1)(3)							
35	PCB	PCB	YUYUN	AB-02	24VAC	1	YE80022400100								
36	S1	Emergency stop button	SCHNEIDER	XB2BS542C	400VAC	1	YE11254200000	(1)							
37		Contact block	SCHNEIDER	ZB2BE102C	1NC	1	YE00210203100	(1)(4)							
38	S2	Stop button	SCHNEIDER	XB2BA22C	400VAC	1	YE11222000000	(1)							
39	S3,H1	Start button	SCHNEIDER	XB2BW33B1C	24VAC	1	YE11223100000	(1)							
40		Contact block	SCHNEIDER	ZB2BE101C	1NO	1	YE00210103100	(1)(4)							
41	S4, S5	Safety switch	SCHMERSRC	AZ15-02ZVRK-1476	AZ-15	2	YE16147600100	(1)							
42	S4, S5	Safety switch	SCHMERSRC	AZ16-02ZVRK-1476	AZ-16	2	YE16147600000	(1)(4)							
43	H2	Alarm light	SHINI	LED-3051	24VAC	1	YE83305100900	(1)							
44	H3	Buzzer	TEND	EA-2	24VAC	1	YE84240200000	(1)(3)							
45	MS	Material level sensor	SIPAI	SR-80	24VAC	1	YE15802400100	(1)(3)							
46	TA2	Current transformer	YUYUN	-----	5-100A	1	-----								
47	PA	Ammeter	SFIM	DH-670	50A	1	YE25675000000	(1)							
48	M1	Granulating motor	-----	11KW	400V 50Hz	1	-----	(1)							
49	M2	Suction blower	-----	0.55KW	400V 50Hz	1	-----	(1)							
50	M3	Dust-removing blower	-----	0.25KW	400V 50Hz	1	-----	(1)(2)							
<b>版本</b> Ver.C Notes: (1)Means it's not the material inside the control box.(2)Means optional accessories of dedusting blower.(3)Means optional accessories of full-receive alarm device.(4)Stand for optional safety relay.															
				Title SG-3048/2348 Electrical Components List 2		Drawing NO. SG-23/30-CE-400V-E-10		Scale Standard CE		Page 10 Totality 19 Pages					
Mark		Before modification		After modification		Modified by		Modify date		Checked by		Date		20170424	
						Designer		Proofread by		Approved by		Voltage		4.00V	
						Version		E		Standard		Frequency		50Hz	
						Date		20170424		SHINI		信易塑料机械股份有限公司		Shini Plastics Technologies, Inc.	
1		2		3		4		5		6		7		8	



版本 Ver.C

Mark	Before modification	Date	20170424	Version	E	Title	SG-2324/2336		Drawing NO.	Scale	Page
	After modification				Approved by		Main Circuit Diagram			Standard	Page
Modified by											
Checked by											
Proofread by											
Designer											
Drawer											
										Standard	Totally
										CE	19
										Voltage	Pages
											4,00V
										Frequency	50HZ
											8

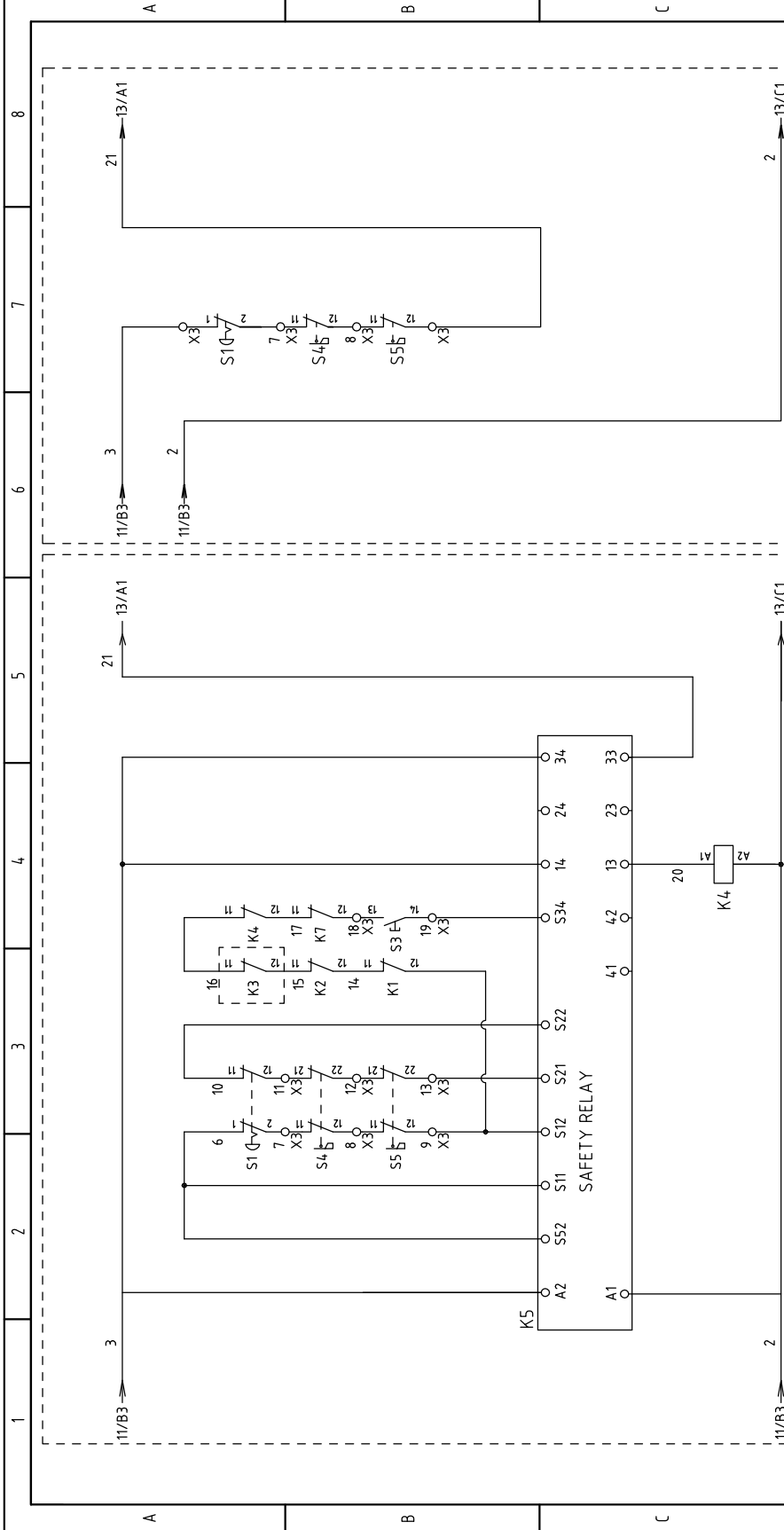
**SHINI**  
 信易塑料机械股份有限公司  
 Shini Plastics Technologies, Inc.

SG-23/30-CE-4,00V-E-11

P=@KW  
 IN=@A  
 Dust-removing blower(Optional)

P=@KW  
 IN=@A  
 Conveying blower

P=@KW  
 IN=@A  
 Granulating motor



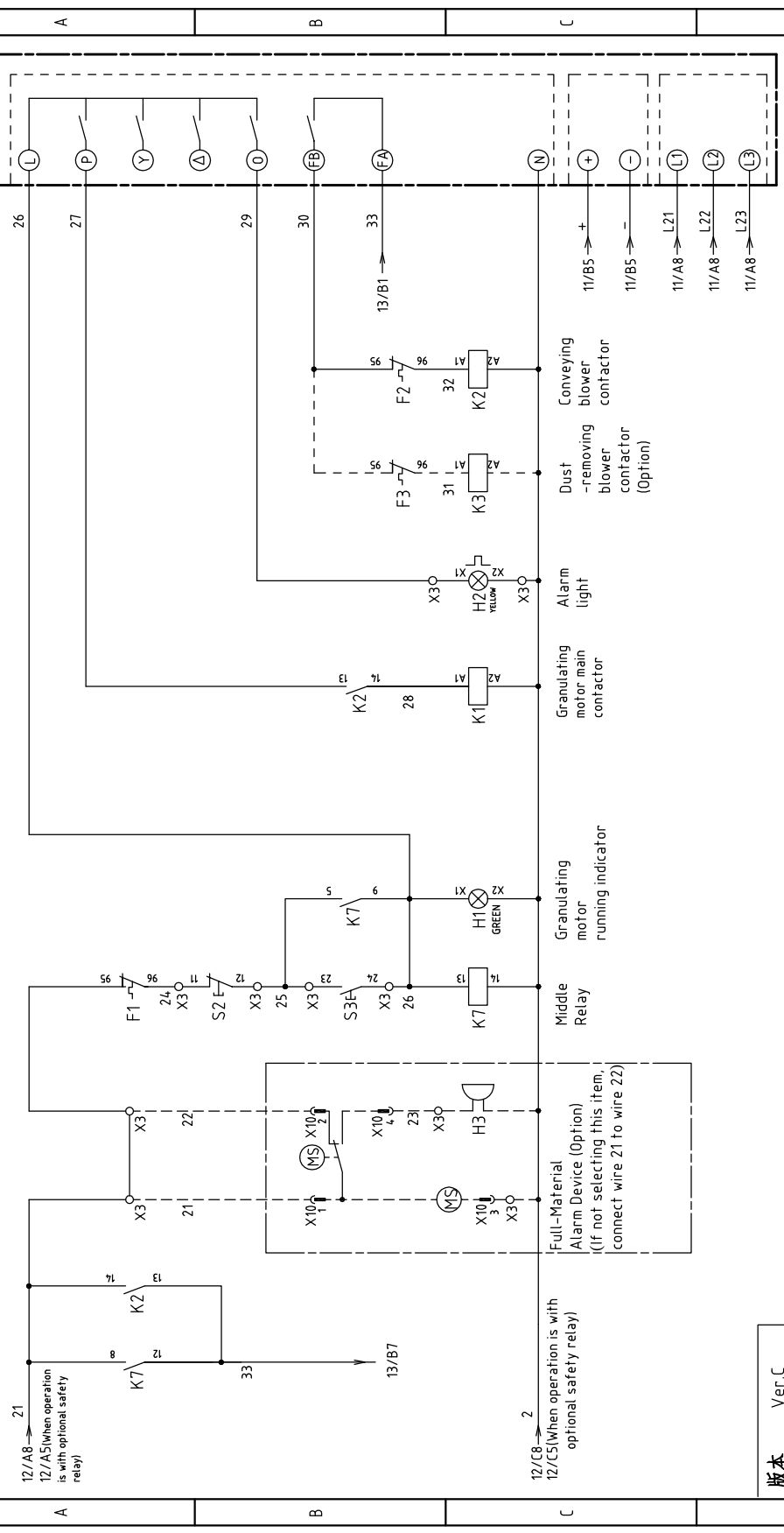
Picture 1 When operation is with optional safety relay.

Picture 2 When operation without optional safety relay.

版本 Ver.C

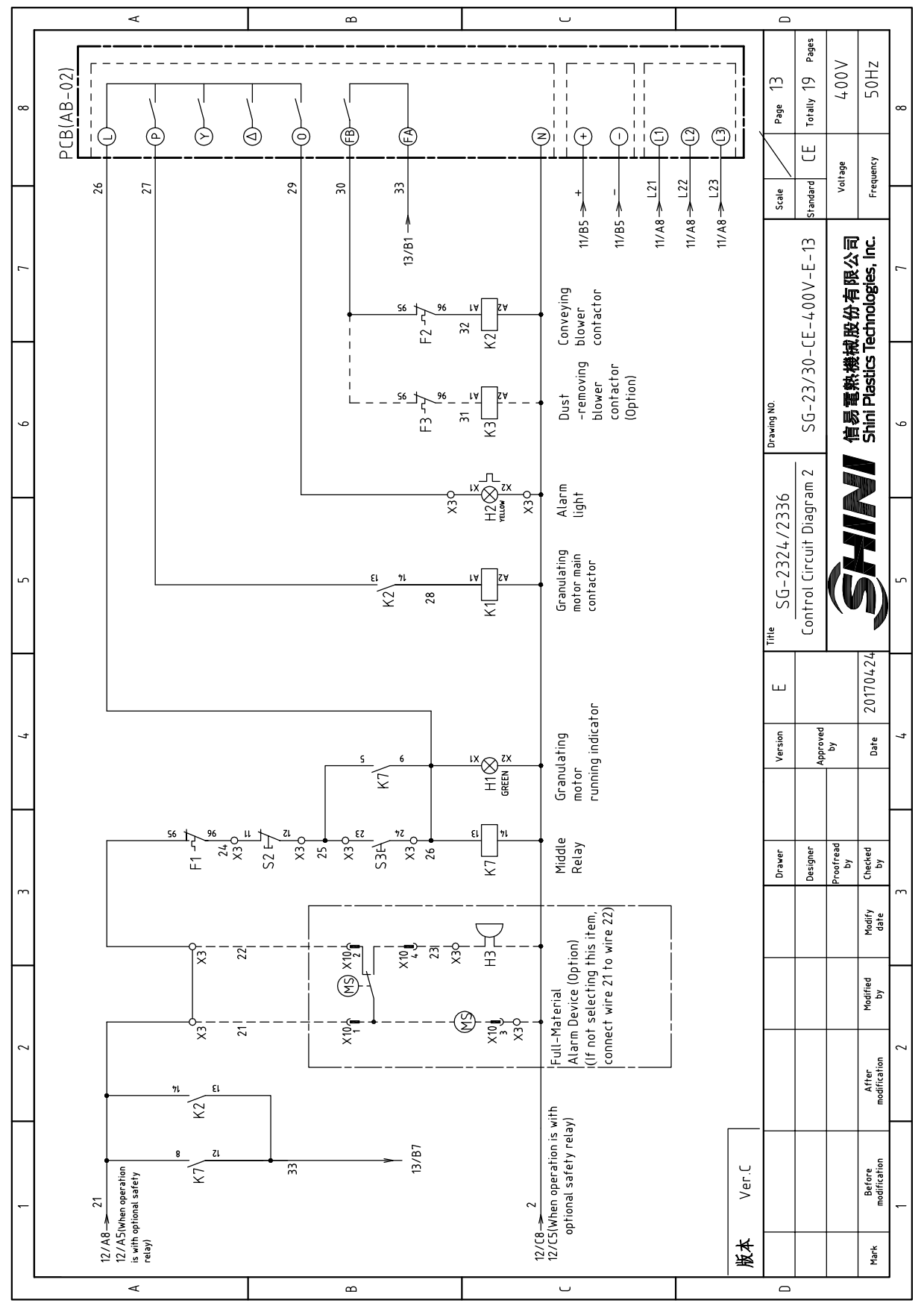
Mark	Before modification	Modified by	Modify date	Date	20170424
	After modification	Modified by	Modify date		
Title	SG-2324/2336			Version	E
	Control Circuit Diagram 1				
Drawing NO.	SG-23/30-CE-400V-E-12			Scale	Page 12
	SHINI 信易塑料机械股份有限公司 Shini Plastics Technologies, Inc.				
Voltage	4.00V			Frequency	50HZ
	50HZ				

PCB(AB-02)



Ver.C

Title		Drawing No.		Page	
SG-2324/2336		SG-23/30-CE-4.00V-E-13		13	
Control Circuit Diagram 2		Standard		CE	
Voltage		Frequency		4.00V	
50HZ		Totally		19	
Pages		Voltage		4.00V	
Frequency		Frequency		50HZ	
8		7		8	
5		6		7	
4		5		6	
3		4		5	
2		3		4	
1		2		3	
Mark		Before modification		After modification	
Date		20170424		Date	
Checked by		Date		Date	
Proofread by		Date		Date	
Designer		Approved by		Date	
Drawer		Version		Date	
E		Version		Date	
Title		Drawing No.		Page	
SG-2324/2336		SG-23/30-CE-4.00V-E-13		13	
Control Circuit Diagram 2		Standard		CE	
Voltage		Frequency		4.00V	
50HZ		Totally		19	
Pages		Voltage		4.00V	
Frequency		Frequency		50HZ	
8		7		8	
5		6		7	
4		5		6	
3		4		5	
2		3		4	
1		2		3	
Mark		Before modification		After modification	
Date		20170424		Date	
Checked by		Date		Date	
Proofread by		Date		Date	
Designer		Approved by		Date	
Drawer		Version		Date	
E		Version		Date	



12/A8 → 21  
12/A5 (When operation is with optional safety relay)

12/C8 → 2  
12/C5 (When operation is with optional safety relay)

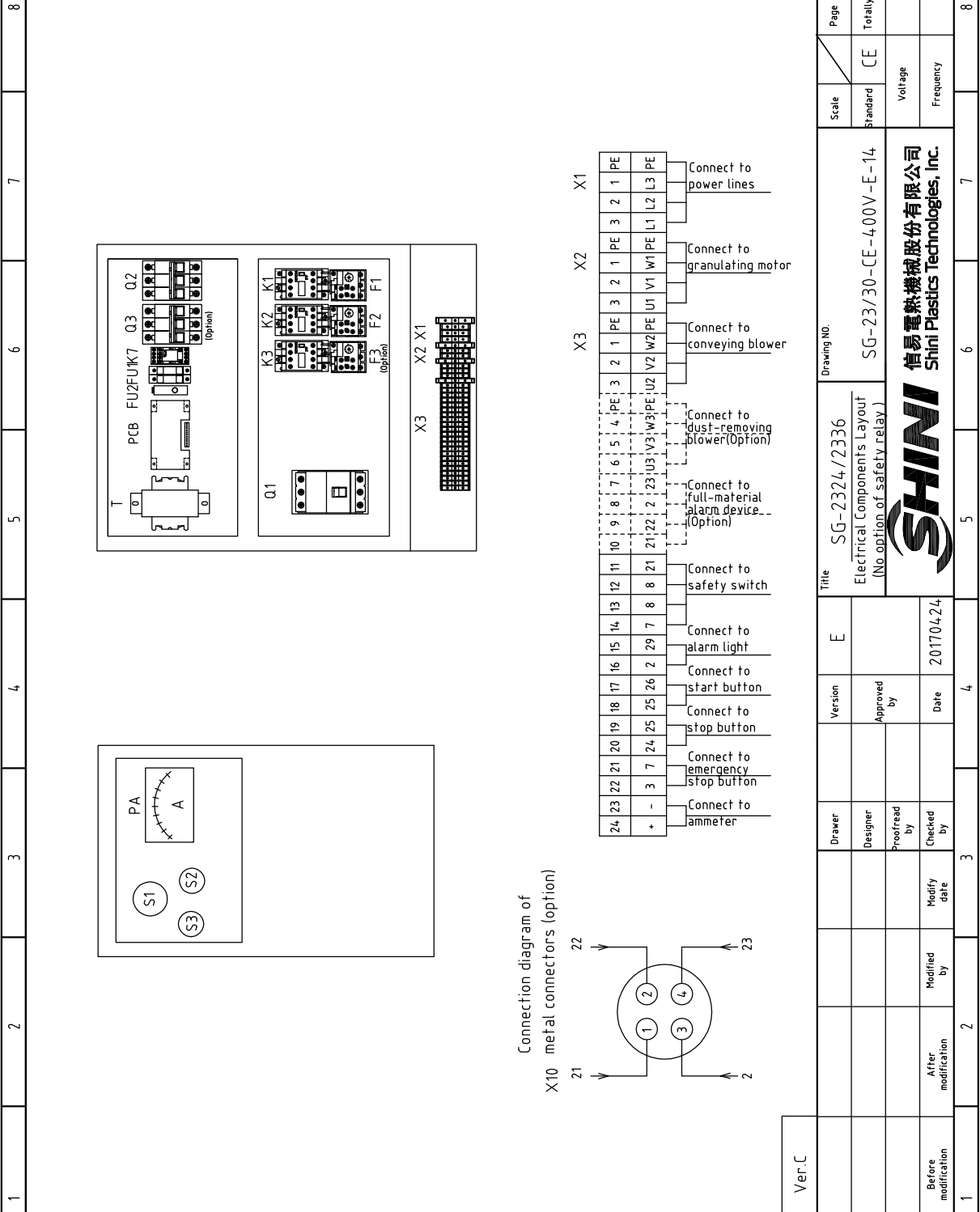
Full-Material Alarm Device (Option)  
(If not selecting this item, connect wire 21 to wire 22)

Middle Relay  
Granulating motor running indicator

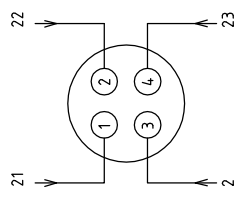
Granulating motor main  
Alarm light

Dust-removing blower  
conductor (Option)

Conveying blower  
conductor

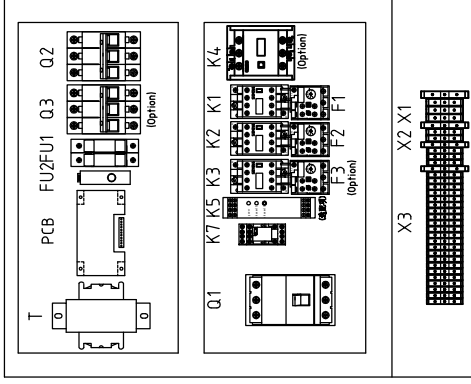
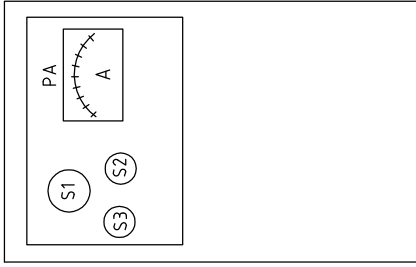


Connection diagram of X10 metal connectors (option)

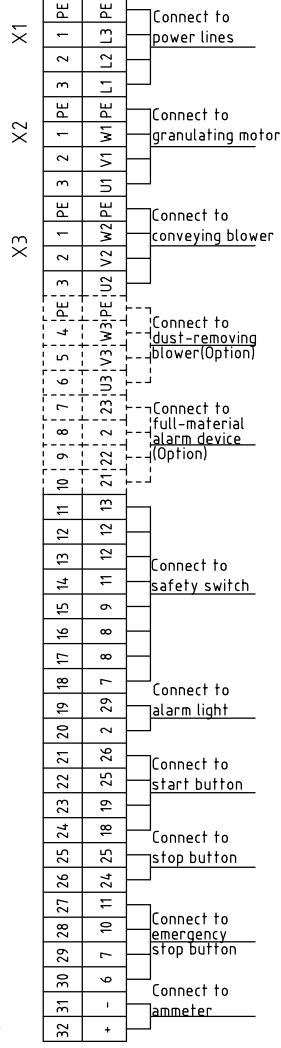
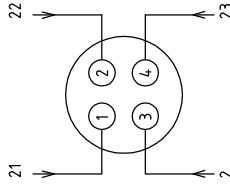


Ver.C

Mark	Before modification	Modified by	20170424	Date	20170424	Checked by	Approved by	Version	E	Title	Drawing No.		Scale	Page
	After modification	Modify date	SG-2324/2336								SG-23/30-CE-4.00V-E-14	Standard	Page	
Ver.C										Electrical Components Layout (No. option of safety relay)	Standard		Scale	Page
											CE		Standard	Page
										SHINI 信易塑料机械股份有限公司 Shini Plastics Technologies, Inc.	Voltage		Page	
											4.00V		Page	
											Frequency		Page	
											50Hz		Page	
											Totally		Page	
											19		Page	
											CE		Page	
											14		Page	



Connection diagram of X10 metal connectors (option)



版本 Ver.C

Mark	Before modification	Modified by	Modify date	Date	20170424	E	Title	Drawing NO.	Scale	Page	
	After modification	Modified by	Modify date						Standard	Totally	
							SG-2324/2336	SG-23/30-CE-400V-E-15	Standard	15	
							Electrical Components Layout (Option with safety relay)			CE	19
										Voltage	400V
										Frequency	50Hz




1		2		3		4		5		6		7		8	
NO.	Symbol	Name	Manufacturer	Type	Specification	Number	Material number	Remark							
1	Q1	Breaker interlock	ABB	A1A125TMF40	40A	1	YE4.1104.200000								
2	Q2	Circuit breaker	TECO	BM-63C	6A	1	YE4.0300603000								
3	Q3	Circuit breaker	TECO	BM-63C	6A	1	YE4.0300603000	(2)							
4	K1	Contactor	SIEMENS	3RT6026-1AC20	24VAC 50/60Hz	1	YE00602602600								
5	K2	Contactor	SIEMENS	3RT6016-1AB01	24VAC 50/60Hz	1	YE00601602500								
6		Auxiliary contactor	SIEMENS	3RH6911-1HA11	1NC+1NO	1	YE00691100100								
7	K3	Contactor	SIEMENS	3RT6016-1AB02	24VAC 50/60Hz	1	YE00601522000	(2)							
8	K4	Contactor	SIEMENS	3RT6026-1AC20	24VAC 50/60Hz	1	YE00602602600	(4)							
9	K5	Safety relay	PILZ	PNOZ+2.8P	24V AC/DC	1	YE04023000000	(4)							
10	K7	Middle relay	Honeywell	GR-2C-AC24V	24VAC	1	YE03022400300								
11	K7	Middle relay	Honeywell	GR-4C-AC24V	24VAC	1	YE03042400300	(4)							
12	F1	Overload relay	SIEMENS	3RU6126-4BB0	14-20A	1	YE0126014-0000								
13	F2	Overload relay	SIEMENS	3RU6116-1BB0	1.4-2A	1	YE0116014-0000								
14	F3	Overload relay	SIEMENS	3RU6116-0KB0	0.9-1.25A	1	YE01160900000	(2)							
15	FU1	Fuse	CHNT	MRO/32A/2P	32A	1	YE4.1032200000								
16		Fuse core	CHNT	10x38 500V	2A	2	YE4.6002000100								
17	FU2	Fuse	YINDA	FS-10	2A	1	YE4.1001000000								
18		Glass tube	----	6x30	3A	1	YE4.6630500200								
19	T	Transformer	BAIYUN	IN=400V OUT=24V	80VA	1	YE7004.0005900								
20	X1	Terminal	HONEYWELL	6mm <sup>2</sup>	----	3	YE60000603200								
21		Terminal	HONEYWELL	6mm <sup>2</sup> PE	----	1	YE60000603500								
22	X2	Terminal	HONEYWELL	4mm <sup>2</sup>	----	3	YE60000403200								
23		Terminal	HONEYWELL	4mm <sup>2</sup> PE	----	1	YE60000403500								
24	X3	Terminal	HONEYWELL	4mm <sup>2</sup>	----	2	YE60000403200								
25		Terminal	HONEYWELL	2.5mm <sup>2</sup>	----	15	YE60002503200								
Ver.C		Notes: (1)Means it's not the material inside the control box.(2)Means optional accessories of dedusting blower.(3)Means optional accessories of full-receive alarm device.(4)Stand for optional safety relay.													
版本		Title		Drawing NO.		Scale		Page		Standard		Voltage		Pages	
		SG-2336		Electrical Components List 1		SG-23/30-CE-400V-E-16		CE		Voltage		4.00V		Totally 19 Pages	
Mark		Before modification		Modified by		Modify date		Checked by		Date		SHINI		Shini Plastics Technologies, Inc.	
						20170424						SHINI		Shini Plastics Technologies, Inc.	
1		2		3		4		5		6		7		8	





1	2		3	4	5	6	7	8							
NO.	Symbol	Name	Manufacturer	Type	Specification	Number	Material number	Remark							
1	Q1	Breaker interlock	ABB	A1A125TMF40	40A	1	YE4.1104.200000								
2	Q2	Circuit breaker	TECO	BM-63C	6A	1	YE4.0300603000								
3	Q3	Circuit breaker	TECO	BM-63C	6A	1	YE4.0300603000	A (2)							
4	K1	Contact	SIEMENS	3RT6018-1AB02	24VAC 50/60Hz	1	YE00601802600								
5	K2	Contact	SIEMENS	3RT6016-1AB01	24VAC 50/60Hz	1	YE00601602500								
6		Auxiliary contact	SIEMENS	3RH6911-1HA11	1NC-1NO	1	YE00691100100								
7	K3	Contact	SIEMENS	3RT6016-1AB02	24VAC 50/60Hz	1	YE00601602600	(2)							
8	K4	Contact	SIEMENS	3RT6018-1AB02	24VAC 50/60Hz	1	YE00601802600	(4)							
9	K5	Safety relay	PILZ	PNOZ+2.8P	24V AC/DC	1	YE04023000000	(4)							
10	K7	Middle relay	Honeywell	GR-2C-AC24V	24VAC	1	YE03022400300								
11	K7	Middle relay	Honeywell	GR-4C-AC24V	24VAC	1	YE03042400300	(4)							
12	F1	Overload relay	SIEMENS	3RU6116-4AB0	11-16A	1	YE01611640000								
13	F2	Overload relay	SIEMENS	3RU6116-1BB0	1.4-2A	1	YE0160140000								
14	F3	Overload relay	SIEMENS	3RU6116-0KB0	0.9-1.25A	1	YE01609000000	(2)							
15	FU1	Fuse	CHNT	MRO/32A/2P	32A	1	YE4.1032200000								
16		Fuse core	CHNT	10x38 500V	2A	2	YE4.6002000100								
17	FU2	Fuse	YINDA	FS-10	----	1	YE4.1001000000								
18		Glass tube	----	6x30	3A	1	YE4.6630500200								
19	T	Transformer	BAIYUN	IN=400V OUT=24V	80VA	1	YE7004.0005900								
20	X1	Terminal	HONEYWELL	4mm <sup>2</sup>	----	3	YE60000403200								
21		Terminal	HONEYWELL	4mm <sup>2</sup> PE	----	1	YE60000403500								
22	X2	Terminal	HONEYWELL	2.5mm <sup>2</sup>	----	3	YE60002503200								
23		Terminal	HONEYWELL	2.5mm <sup>2</sup> PE	----	1	YE60002503400								
24	X3	Terminal	HONEYWELL	2.5mm <sup>2</sup>	----	17	YE60002503200								
25		Terminal	HONEYWELL	2.5mm <sup>2</sup> PE	----	1	YE60002503400								
Ver.C		Notes: (1)Means it's not the material inside the control box.(2)Means optional accessories of dedusting blower.(3)Means optional accessories of full-receive alarm device.(4)Stand for optional safety relay.		Title SG-2324 Electrical Components List 1		Drawing NO. SG-23/30-CE-400V-E-18		Scale Standard CE	Page 18 Totality 19 Pages						
Mark		Before modification	Modified by	20170424	Date		Voltage Frequency		4.00V 50HZ						
1		2		3		4		5		6		7		8	



1	2		3	4	5	6	7	8
NO.	Symbol	Name	Manufacturer	Type	Specification	Number	Material number	Remark
26			HONEYWELL	2.5mm <sup>2</sup>	----	3	YE60002503200	(2)
27			HONEYWELL	2.5mm <sup>2</sup> PE	----	1	YE60002503400	(2)
28			HONEYWELL	2.5mm <sup>2</sup>	----	4	YE60002503200	(3)
29			HONEYWELL	2.5mm <sup>2</sup>	----	8	YE60002503200	(4)
30	X10	Metal joint	SHINI	PLT-254-PM	4P	1	YE68025400000	(1)(3)
31			-----	PLT-254-RF	4P	1	YE68025400100	(1)(3)
32	PCB	PCB	YUYUN	AB-02	24VAC	1	YE80022400100	
33	S1	Emergency stop button	SCHNEIDER	XB2BS542C	400VAC	1	YE11254200000	(1)
34		Contact block	SCHNEIDER	ZB2BE102C	1NC	1	YE00210203100	(1)(4)
35	S2	Stop button	SCHNEIDER	XB2BA22C	400VAC	1	YE11222000000	(1)
36	S3,H1	Start button	SCHNEIDER	XB2BW33B1C	24VAC	1	YE11233100000	(1)
37		Contact block	SCHNEIDER	ZB2BE101C	1NO	1	YE00210103100	(1)(4)
38	S4, S5	Safety switch	SCHMERSRC	AZ15-0ZZVRK-1476	AZ-15	2	YE16147600100	(1)
39	S4, S5	Safety switch	SCHMERSRC	AZ16-0ZZVRK-1476	AZ-16	2	YE16147600000	(1)(4)
40	H2	Alarm lamp	SHINI	LED-3051	24VAC	1	YE83305100900	(1)
41	H3	Buzzer	TEND	EA-2	24VAC	1	YE84240200000	(1)(3)
42	MS	Material level sensor	SIPAI	SR-80	24VAC	1	YE15802400100	(1)(3)
43	TA2	Current transformer	YUYUN	-----	5-100A	1	-----	
44	PA	Ammeter	SFIM	DH-670	30A	1	YE25673000000	(1)
45	M1	Granulating motor	-----	5.5KW	400V 50HZ	1	-----	(1)
46	M2	Suction blower	-----	0.55KW	400V 50HZ	1	-----	(1)
47	M3	Dust-removing blower	-----	0.25KW	400V 50HZ	1	-----	(1)(2)
<p><b>版本</b> Ver.C Notes: (1)Means it's not the material inside the control box.(2)Means optional accessories of dedusting blower.(3)Means optional accessories of full-receive alarm device.(4)Stand for optional safety relay.</p>								
				Title	SG-2324	Drawing NO.	Scale	Page 19
				Electrical Components List 2	SG-23/30-CE-400V-E-19	Standard	CE	Pages
				 <b>信易塑料机械股份有限公司</b> <b>Shini Plastics Technologies, Inc.</b>	Voltage	400V	Frequency	50HZ
Mark	Before modification	After modification	Modified by		Modify date	Checked by	Date	20170424
1	2	3	4	5	6	7	8	8