

STM-607 版本 Ver.F  
 STM-607M 版本 Ver.E

When equipped with magnetic pump F1:SET 10A P=0.55KW IN=1.0A

Title		Drawing NO		Scale	Page
STM-607		STM-607-CE-4.00V-I-1		Standard	Totally
Main Circuit Diagram		CE		Voltage	Pages
SHINI		信易电热机械股份有限公司 Shini Plastics Technologies, Inc.		4.00V	5
Version	1	Date		Frequency	8
Designer		20170502		50HZ	
Proofread by					
Checked by					
Modified by					
Mark	Before modification	After modification			

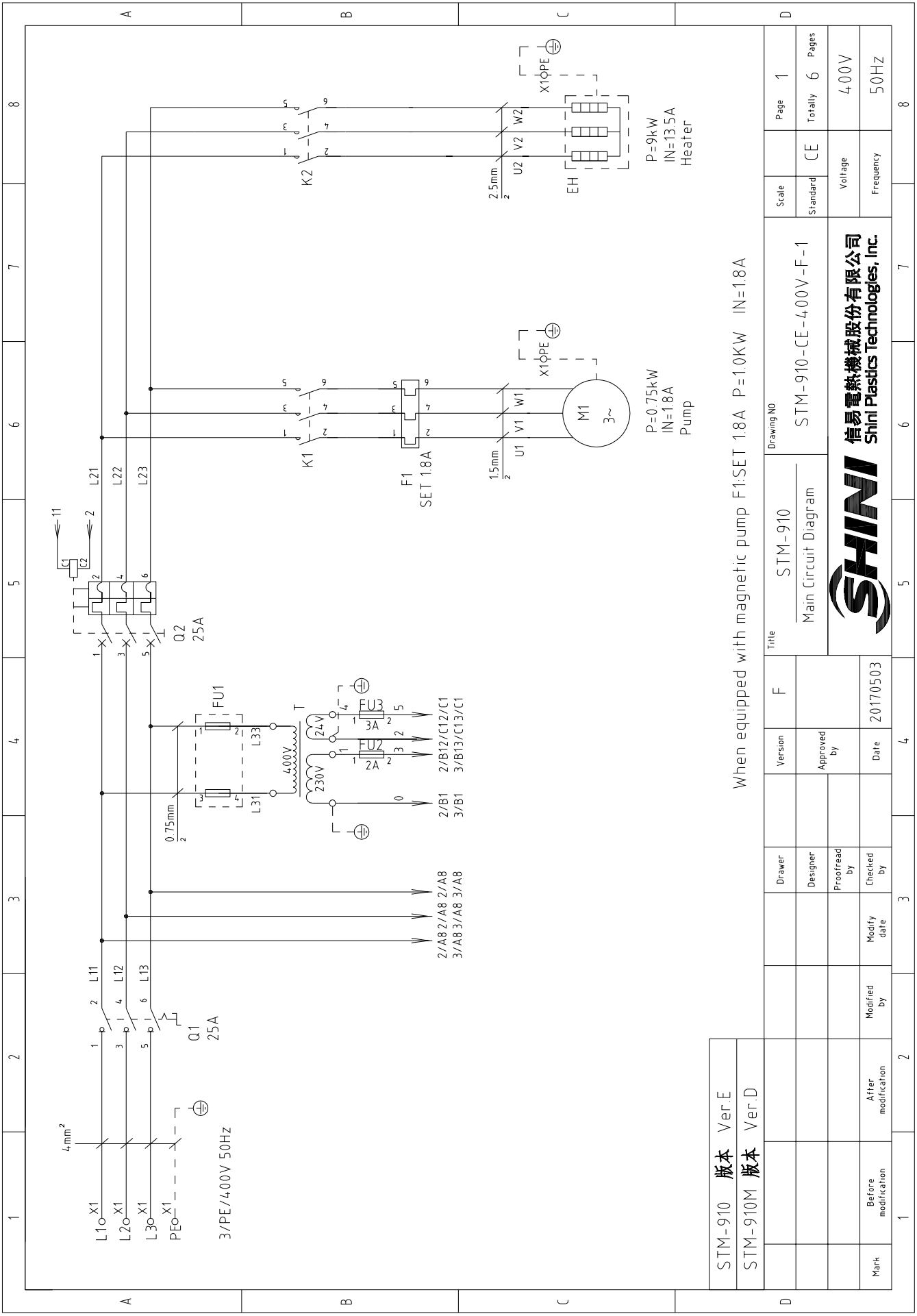




1		2		3		4		5		6		7		8	
NO.	Symbol	Name	Manufacturer	Type	Specification	Number	Material number	Remark							
1	Q1	Main Switch	EATON	TO-2-1/EA/SVB	16A	1	YE10021160000								
2	Q2	Circuit Breakers	TECO	BM-63C	16A	1	YE40301603000								
3		Excitation Release	TECO	MX	24VAC	1	YE40024000000								
4	K1	Contactors	SIEMENS	3RT6015-1AB01	24VAC	1	YE00601502500								
5	K1	Contactors	SIEMENS	3RT6015-1AB01	24VAC	1	YE00601502500	(3)							
6	K2	Contactors	SIEMENS	3RT6018-1AB01	24VAC	1	YE00601802500								
7	F1	Thermo Overload Relay	SIEMENS	3RU6116-0KB0	0.9-1.25A	1	YE01160900000								
8	F1	Thermo Overload Relay	SIEMENS	3RU6116-0KB0	0.9-1.25A	1	YE01160900000	(3)							
9	FU1	Fuse Base	CHNT	RT28-32	32A 2P	1	YE41032200000								
10		Fuse Core	MRO	10×38 500V	2A	2	YE46002000100								
11	FU2 FU3	Fuse	YINDA	FS-10	----	2	YE41001000000								
12		Fuse	----	6×30/3A	3A	1	YE46630500200								
13	T	Transformer	BAIYUN	IN=4.00V OUT=24VAC/230V	120VA/350mA	1	YE70040005500								
14	S1	Thermocouple	SHINI	----	K	1	----	(1)							
15	S2 S3	Thermocouple	SHINI	----	K	2	----	(1)(2)							
16	S4	Overheat Protector	----	----	----	1	----	(1)							
17	S5	Limit Switch	RENEW	----	250V 5(L)	1	----	(1)							
18	PC1 A	Circuit Board	YUYUN	TM-01 (含通讯)	180~4.30V 50/60Hz	1	YE81012200300								
19	X1	Terminal Board	HONEYWELL	2.5mm <sup>2</sup>	----	9	YE60002503200								
20		Terminal Board	HONEYWELL	2.5mm <sup>2</sup> PE	----	5	YE60002503400								
21	M1	Motor	SHINI	TP-55	4.00V 50Hz 0.55kW	1	----	(1)							
22	M1	Motor	SHINI	MP-55	4.00V 50Hz 0.55kW	1	----	(1)(3)							
23	EH	Heater	SHINI	6kW	4.00V 50Hz	1	----	(1)							
24	H1	Buzzer	----	PK-35A	24VAC/DC	1	YE84003500600								
STM-607 版本		Ver.F	Notes: (1)Means it's not the material inside the control box.(2)Means equipped with function of displaying water outlet and return water temperature.												
STM-607M 版本		Ver.E	(3)Means equipped with magnetic pump												
			Drawer	Version	Title		Drawing NO		Scale		Page		4		
			Designer	Approved by	STM-607		STM-607-CE-400V-I-4		Standard		CE		Totally 5 Pages		
			Proofread by	Date	Electrical Components list 1				Voltage		400V				
Mark		Before modification	Modified by	Modify date	20170502				Frequency		50HZ				
1		2		3		4		5		6		7		8	





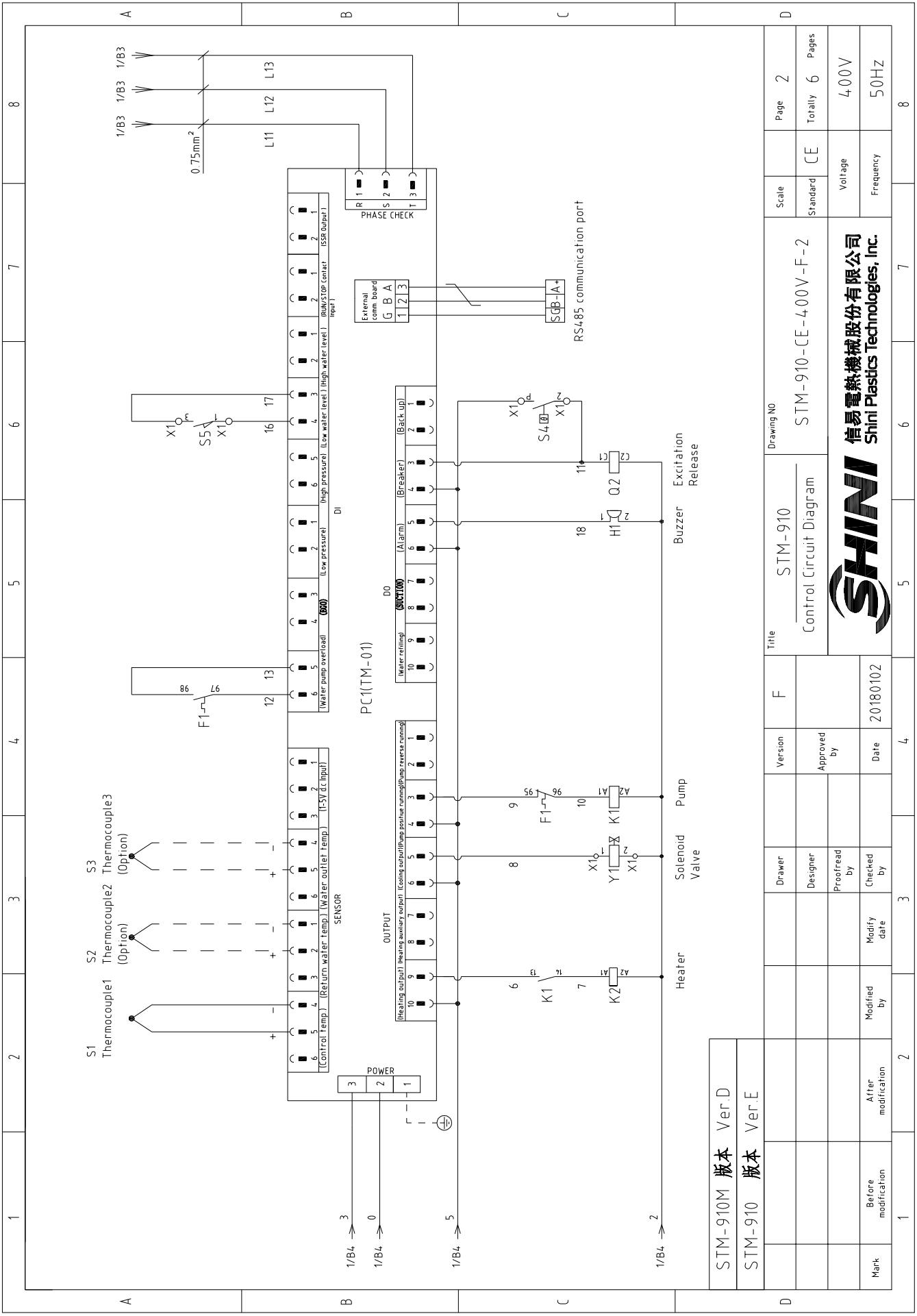


When equipped with magnetic pump F1:SET 1.8A P=1.0KW IN=18A

STM-910	版本 Ver.E
STM-910M	版本 Ver.D

D	Mark	Before modification	Modified by	2	3	4	5	6	7	8
	Mark	After modification	Modified by	2	3	4	5	6	7	8
D	Version	Designer	Proofread by	20170503						
	Approved by									
Title		STM-910		Drawing No		STM-910-CE-400V-F-1				
Scale		Standard		CE		Page		1		
Standard		CE		Voltage		Frequency		400V 50HZ		
Totally		6		Pages						

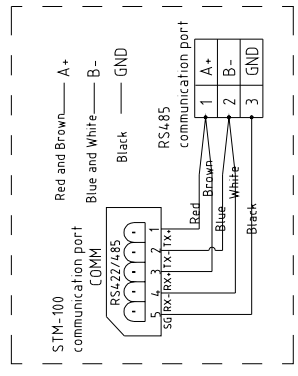
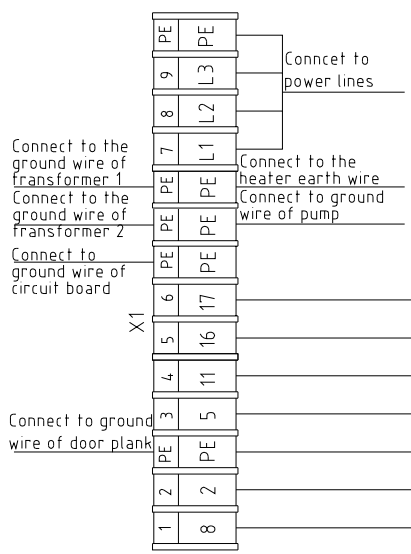
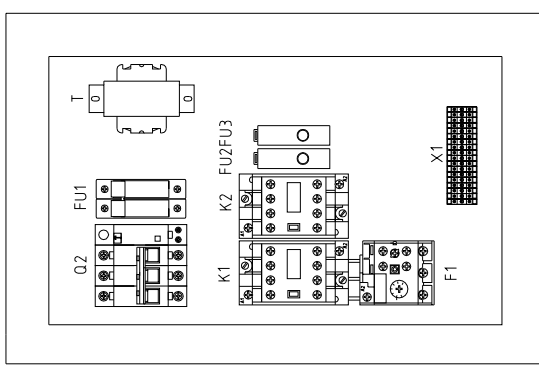
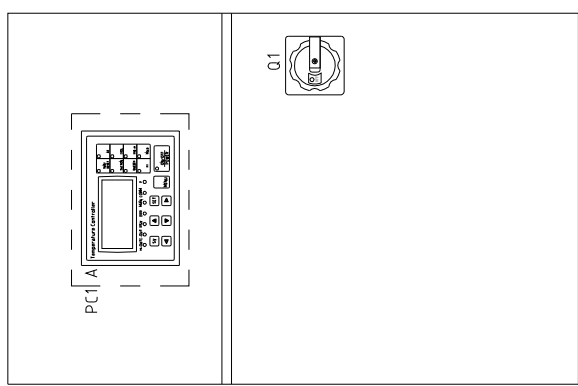




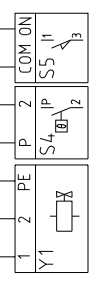
STM-910M 版本 Ver.D  
 STM-910 版本 Ver.E

D	Scale	Standard	CE	Page	2
	Standard	CE		Totally	6 Pages
Title		STM-910 Control Circuit Diagram		Drawing NO STM-910-CE-400V-F-2	
Version	F	Approved by		Voltage 400V	
Drawer		Proofread by		Frequency 50HZ	
Modified by		Checked by			
Before modification		Date		20180102	
Mark	1	2		3	
		4		5	
		6		7	
		8			





S6 RS485 Communications wiring diagram



Solenoid Temp. Micro valve protector switch

STM-910	版本	Ver.E
STM-910M	版本	Ver.D

Technical requirements (1)Pump and pipe heater should be directly connected to the output terminals of contactor and thermal overload relay.

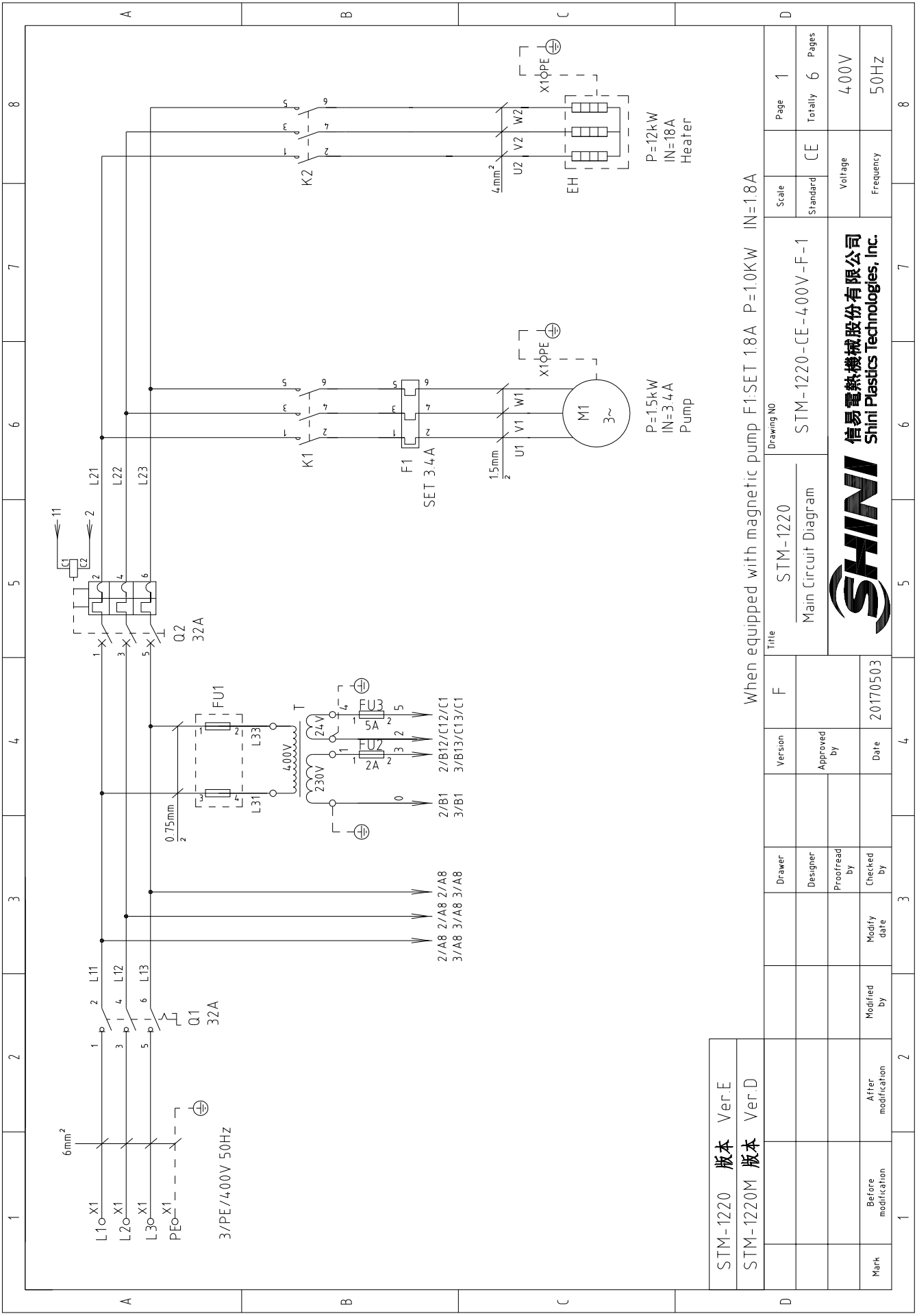
Scale	Standard	CE	Page	4
Title		STM-910	Drawing NO	Totally
Electrical Components Layout		STM-910-CE-400V-F-4		
Version	Approved by	Voltage		
20170503	20170503	400V		
Modified by	Checked by	Frequency		
After modification	20170503	50HZ		
Mark	Before modification	8		





1		2		3		4		5		6		7		8	
NO.	Symbol	Name	Manufacturer	Type	Specification	Number	Material number	Remark							
1	Q1	Main Switch	EATON	P1-25/EA/SVB	25A	1	YE10125250000								
2	Q2	Circuit Breakers	TECO	BM-63S	25A	1	YE40302503000								
3		Excitation Release	CHINT	MX	24VAC	1	YE40024000000								
4	K1	Contactors	SIEMENS	3RT6015-1AB01	24VAC	1	YE00601502500								
5	K1	Contactors	SIEMENS	3RT6015-1AB01	24VAC	1	YE00601502500	(3)							
6	K2	Contactors	SIEMENS	3RT6025-1AC20	24VAC	1	YE00602502600								
7	F1	Thermo Overload Relay	SIEMENS	3RU6116-1CB0	18-2.5A	1	YE01160180000								
8	F1	Thermo Overload Relay	SIEMENS	3RU6116-1CB0	18-2.5A	1	YE01160180000	(3)							
9	FU1	Fuse Base	CHNT	RT28-32	32A 2P	1	YE41032200000								
10		Fuse Core	MRO	10×38 500V	2A	2	YE46002000100								
11	FU2 FU3	Fuse	YINDA	FS-10	----	2	YE41001000000								
12		Fuse	----	6×30/3A	3A	1	YE46630500200								
13	T	Transformer	----	IN=4.00V OUT=24VAC/230V	120VA/350mA	1	YE70040005500								
14	S1	Thermocouple	SHINI	----	K	1	----	(1)							
15	S2 S3	Thermocouple	SHINI	----	K	2	----	(1)(2)							
16	S4	Overheat Protector	----	----	----	1	----	(1)							
17	S5	Limit Switch	RENEW	----	250V 5(4)	1	----	(1)							
18	PC1 A	Circuit Board	YUYUN	TM-01 (含通讯)	180~4.30V 50/60Hz	1	YE81012200300								
19	X1	Terminal Board	HONEYWELL	2.5mm <sup>2</sup>	----	6	YE60002503200								
20		Terminal Board	HONEYWELL	2.5mm <sup>2</sup> PE	----	4	YE60002503400								
21		Terminal Board	HONEYWELL	4.0mm <sup>2</sup>	----	3	YE60000403200								
22		Terminal Board	HONEYWELL	4.0mm <sup>2</sup> PE	----	1	YE60000403500								
23	M1	Motor	SHINI	TP-75	4.00V 50Hz 0.75kW	1	----	(1)							
24	M1	Motor	SHINI	MP-100	4.00V 50Hz 1.0kW	1	----	(1)(3)							
STM-910 版本		Notes: (1)Means it's not the material inside the control box.(2)Means equipped with function of displaying water outlet and return water temperature.													
STM-910M 版本		(3)Means equipped with magnetic pump													
		Title		Drawing NO		Scale		Page		5		6		8	
		STM-910		Electrical Components list 1		STM-910-CE-400V-F-5		CE		Voltage		400V		50HZ	
		F		Version		Approved by		Date		20170503		SHINI		信易电热机械股份有限公司 Shini Plastics Technologies, Inc.	
Mark		Before modification		Modified by		Modify date		After modification		Standard		Frequency		Totally 6 Pages	
1		2		3		4		5		6		7		8	

1		2		3		4		5		6		7		8	
NO.	Symbol	Name	Manufacturer	Type	Specification	Number	Material number	Remark							
25	EH	Heater	SHINI	9kW	400V 50Hz	1	----	(1)							
26	FM	Fan	----	----	230V 50/60Hz	1	----	(1)(3)							
27	H1	Buzzer	----	PK-35A	24VAC/DC	1	YE84.003500600								
28	Y1	Solenoid Valve	----	----	24VAC	1	----	(1)							
29	S6	Communication interface board RS-485 (double Dsub-9pin connector)			PCS	1.000	YE90048501200								
30		Shell RS485(SAL-700G-A-1910)			PCS	1.000	YR4.00485000000								
B															
C															
D															
Notes: (1)Means it's not the material inside the control box.(2)Means equipped with function of displaying water outlet and return water temperature.															
(3)Means equipped with magnetic pump															
STM-910 版本 Ver.E															
STM-910M 版本 Ver.D															
		Title		Version		F		STM-910		Drawing NO		Scale		Page	
		Electrical Components List 2		Approved by				Electrical Components List 2		STM-910-CE-400V-F-6		Standard		Totally 6 Pages	
		Date		20170503								Voltage		400V	
Mark		Before modification		Modified by		Modify date						Frequency		50HZ	
SHINI 信易電熱機械股份有限公司 Shini Plastics Technologies, Inc.															
1 2 3 4 5 6 7 8															

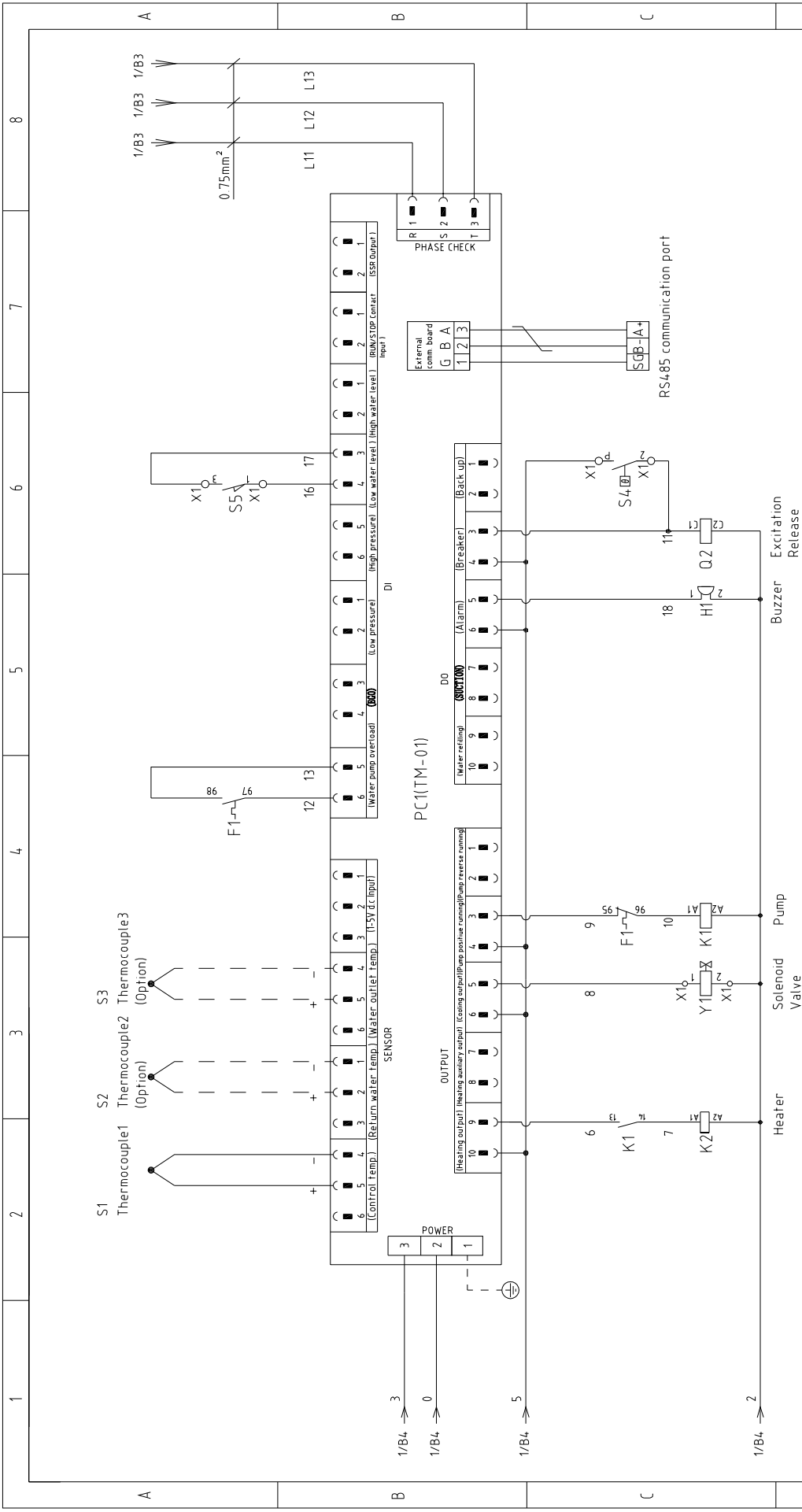


STM-1220 版本 Ver.E  
 STM-1220M 版本 Ver.D

When equipped with magnetic pump F1:SET 1.8A P=10KW IN=18A

D	Mark	Before modification	Modified by	2	1	8
	Mark	After modification	Modified by	2	1	8
D	Version	F	Designer	3	4	8
	Version	F	Approved by	3	4	8
D	Title	STM-1220	Drawer	3	4	8
	Title	Main Circuit Diagram	Designer	3	4	8
D	Scale	Standard	Proofread by	3	4	8
	Scale	CE	Checked by	3	4	8
D	Standard	STM-1220-CE-400V-F-1	Modify date	3	4	8
	Standard	CE	Date	3	4	8
D	Voltage	400V	After modification	2	1	8
	Frequency	50Hz	After modification	2	1	8
Page		1	Totally		6	8

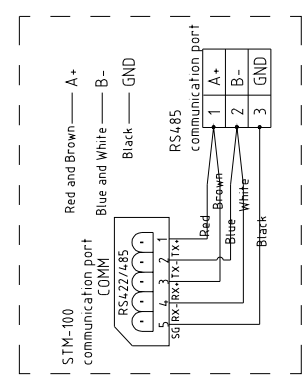
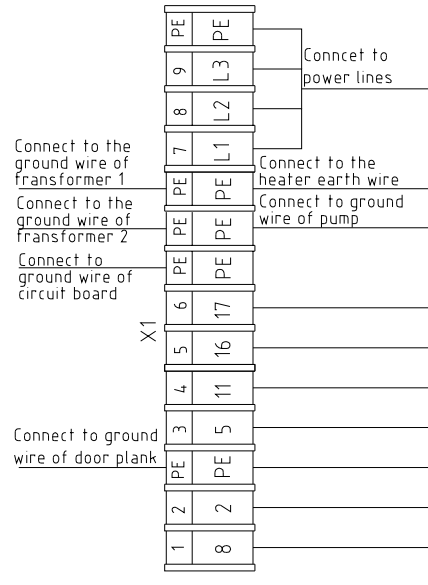
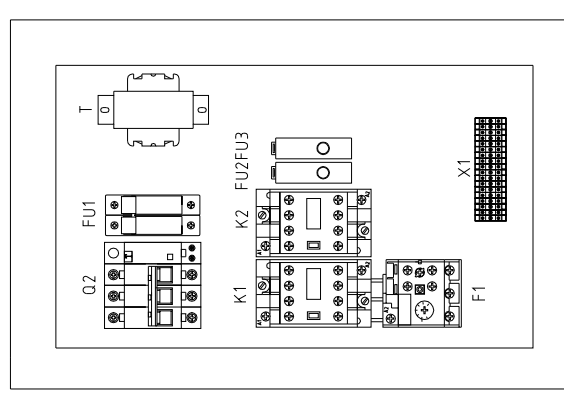
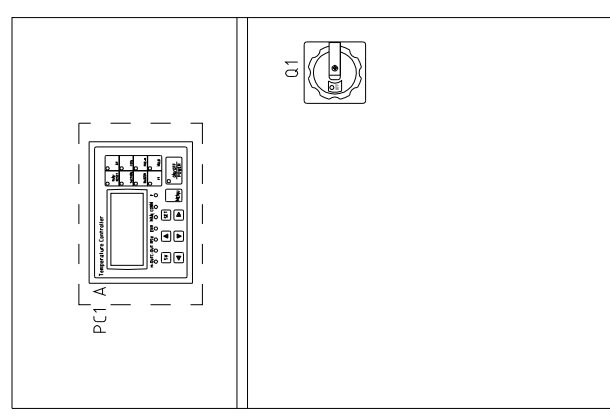




STM-1220M 版本 Ver.D  
 STM-1220 版本 Ver.E

Title		Drawing NO	
STM-1220		STM-1220-CE-400V-F-2	
Version		Scale	
F		Standard	
Approved by		Voltage	
Date		Frequency	
20180102		400V	
Modified by		Page	
Modify date		2	
Mark		Totally	
Before modification		6	
After modification		Pages	
2		400V	
1		50HZ	
3		8	
4		7	
5		6	
6		5	
7		4	
8		3	





STM-1220	版本	Ver.E
STM-1220M	版本	Ver.D

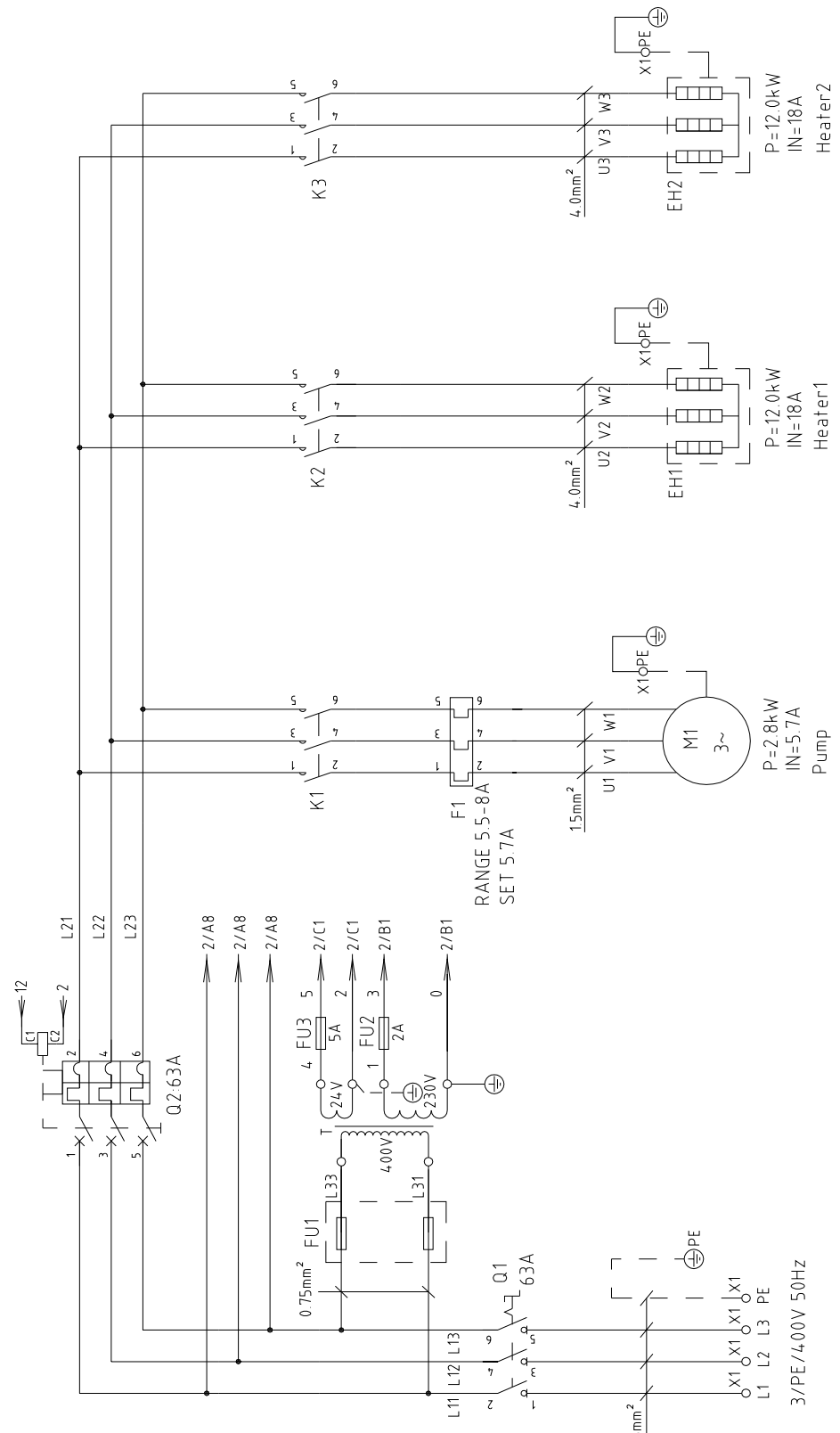
Technical requirements: (1) Pump and pipe heater should be directly connected to the output terminals of contactor and thermal overload relay.

Drawn	Version	F	Title	Scale	Page
Designer	Approved by	STM-1220	Electrical Components Layout	Standard	4
Proofread by	Date	STM-1220-CE-400V-F-4	SHINI	Voltage	Totally 6
Checked by	Modify date	20170503	信易电热机械股份有限公司 Shini Plastics Technologies, Inc.	Frequency	Pages
Modified by				400V	50HZ
Before modification					
After modification					
1	2	3	4	5	6
1	2	3	4	5	6
1	2	3	4	5	6

1		2		3		4		5		6		7		8	
NO.	Symbol	Name	Manufacturer	Type	Specification	Number	Material number	Material number	Remark						
1	Q1	Main Switch	EATON	P1-32/EA/SVB	32A	1	YE10323200000								
2	Q2	Circuit Breakers	TECO	BM-63C/3032S	32A	1	YE40303203000								
3		Excitation Release	CHINT	MX	24VAC	1	YE40024000000								
4	K1	Contactors	SIEMENS	3RT6015-1AB01	24VAC	1	YE00601502500								
5	K1	Contactors	SIEMENS	3RT6015-1AB01	24VAC	1	YE00601502500		(3)						
6	K2	Contactors	SIEMENS	3RT6026-1AC20	24VAC	1	YE00602602600								
7	F1	Thermo Overload Relay	SIEMENS	3RU6116-1EB0	2.8-4A	1	YE01160280000								
8	F1	Thermo Overload Relay	SIEMENS	3RU6116-1CB0	1.8-2.5A	1	YE01160180000		(3)						
9	FU1	Fuse Base	CHNT	RT28-32	32A 2P	1	YE41032200000								
10		Fuse Core	MRO	10×38 500V	2A	2	YE46002000100								
11	FU2 FU3	Fuse	YINDA	FS-10	----	2	YE41001000000								
12		Fuse	----	6×30/5A	5A	1	YE46630500100								
13	T	Transformer	----	IN=4.00V OUT=24VAC/230V	120VA/350mA	1	YE70040005500								
14	S1	Thermocouple	SHINI	----	K	1	----		(1)						
15	S2 S3	Thermocouple	SHINI	----	K	2	----		(1)(2)						
16	S4	Overheat Protector	----	----	----	1	----		(1)						
17	S5	Limit Switch	RENEW	----	250V 5(4)	1	----		(1)						
18	PC1 A	Circuit Board	YUYUN	TM-01 (含通讯)	180-4.30V 50/60Hz	1	YE81012200300								
19	X1	Terminal Board	HONEYWELL	2.5mm <sup>2</sup>	----	6	YE60002503200								
20		Terminal Board	HONEYWELL	2.5mm <sup>2</sup> PE	----	3	YE60002503400								
21		Terminal Board	HONEYWELL	4.0mm <sup>2</sup> PE	----	1	YE60000403500								
22		Terminal Board	HONEYWELL	6mm <sup>2</sup>	----	3	YE60000603200								
23		Terminal Board	HONEYWELL	6mm <sup>2</sup> PE	----	1	YE60000603500								
24	M1	Motor	SHINI	TP-150	4.00V 50Hz 15kW	1	----		(1)						
STM-1220 版本		Notes: (1)Means it's not the material inside the control box.(2)Means equipped with function of displaying water outlet and return water temperature.													
STM-1220M 版本		(3)Means equipped with magnetic pump													
		Drawing NO		STM-1220		STM-1220-CE-400V-F-5		Scale		CE		Page		5	
		Electrical Components list 1		F		Version		Approved by		Standard		Voltage		400V	
		SHINI		20170503		Date		Date		Frequency		Frequency		50HZ	
Mark		Before modification		Modified by		Modify date		Checked by		Checked by		Totally		6	
1		2		3		4		5		6		7		8	



1		2		3		4		5		6		7		8	
NO.	Symbol	Name	Manufacturer	Type	Specification	Number	Material number	Remark							
26	M1	Motor	SHINI	MP-100	400V 50Hz 1.0kW	1	----	(1)(3)							
27	EH	Heater	SHINI	12kW	400V 50Hz	1	----	(1)							
28	FM	Fan	----	----	230VAC 50/60Hz	1	----	(1)(3)							
29	H1	Buzzer	----	PK-35A	24VAC/DC	1	YE84003500600								
30	Y1	Solenoid Valve	----	----	24VAC	1	----	(1)							
31	S6	Communication interface board RS-485 (double Dsub-9pin connector)			PCS	1.000	YE90048501200								
32		Shell RS485(SAL-700G-A-19)0			PCS	1.000	YR40048500000								
									B						
									C						
									D						
STM-1220 版本		Notes: (1)Means it's not the material inside the control box (2)Means equipped with function of displaying water outlet and return water temperature.													
STM-1220M 版本		(3)Means equipped with magnetic pump													
		Title		Version		F		Drawing NO		Scale		Page		6	
		Electrical Components List 2		Approved by				STM-1220		Standard		CE		Totally 6 Pages	
		Date		Proofread by		20170503		STM-1220-CE-400V-F-6		Voltage		400V		Frequency	
Mark		Before modification		Modified by		Modify date		Checked by		Checked date		SHINI		Shini Plastics Technologies, Inc.	
1		2		3		4		5		6		7		8	



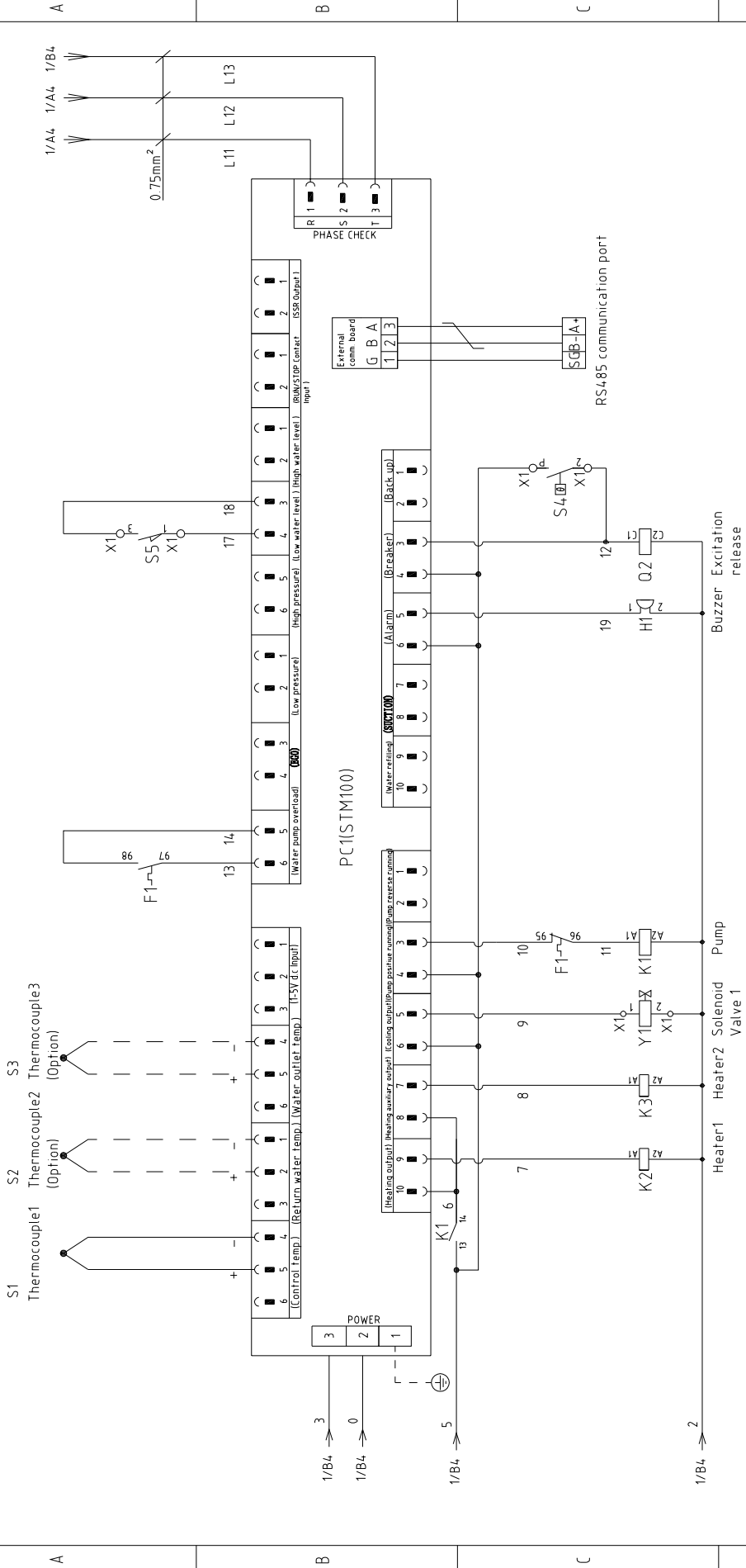
STM-2440 版本 Ver.D  
 STM-2440M 版本 Ver.D

When equipped with magnetic pump F1: SET 6.5A P=2.8KW IN=6.5A

D	Version	F	Title	Drawing NO		Scale	Page	1
	Designer	Approved by	Main Circuit Diagram		Standard	CE	Totally	5 Pages
Mark	Before modification	Modified by	Date	20171211		Voltage	400V	
	After modification	Modify date			Frequency	50HZ		







STM-2440 版本 Ver.D  
 STM-2440M 版本 Ver.D

Title		Drawing No	
STM-2440		STM-2440-CE-400V-F-2	
Version		Scale	
F		Standard	
Approved by		Voltage	
Date		Frequency	
20171211		400V	
Modified by		Page	
Modify date		Totally	
After modification		5	
Before modification		Pages	
Mark		400V	
1		50HZ	
2		8	
3		7	
4		6	
5		5	
6		4	
7		3	
8		2	



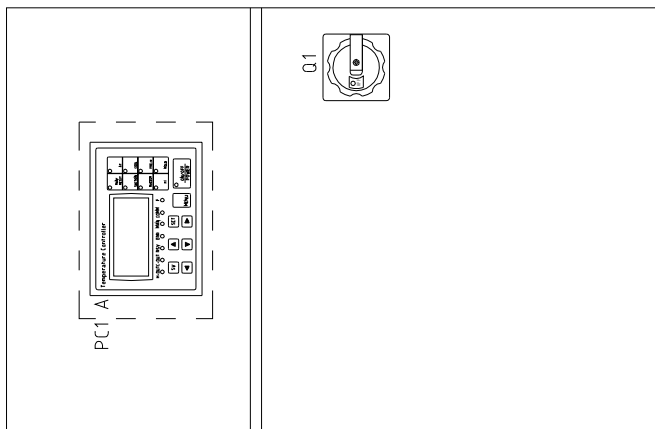
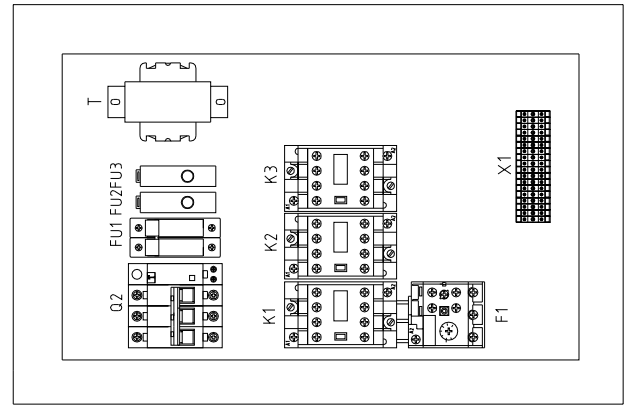
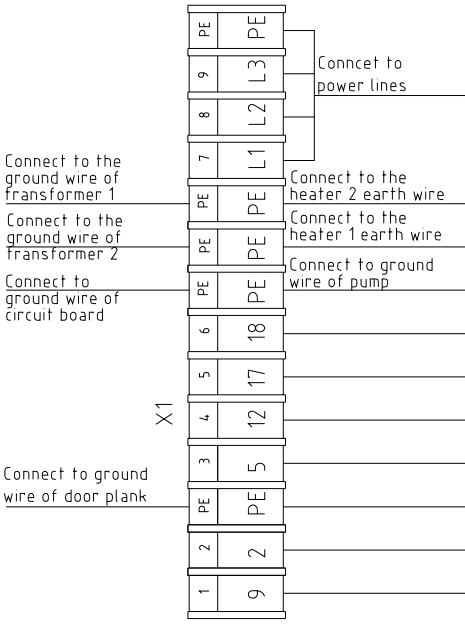
1 2 3 4 5 6 7 8

A

B

C

D



C

B

A

STM-2440 版本 Ver.D  
STM-2440M 版本 Ver.D

Technical requirements:(1)Pump and pipe heater should be directly connected to the output terminals of contactor and thermal overload relay.

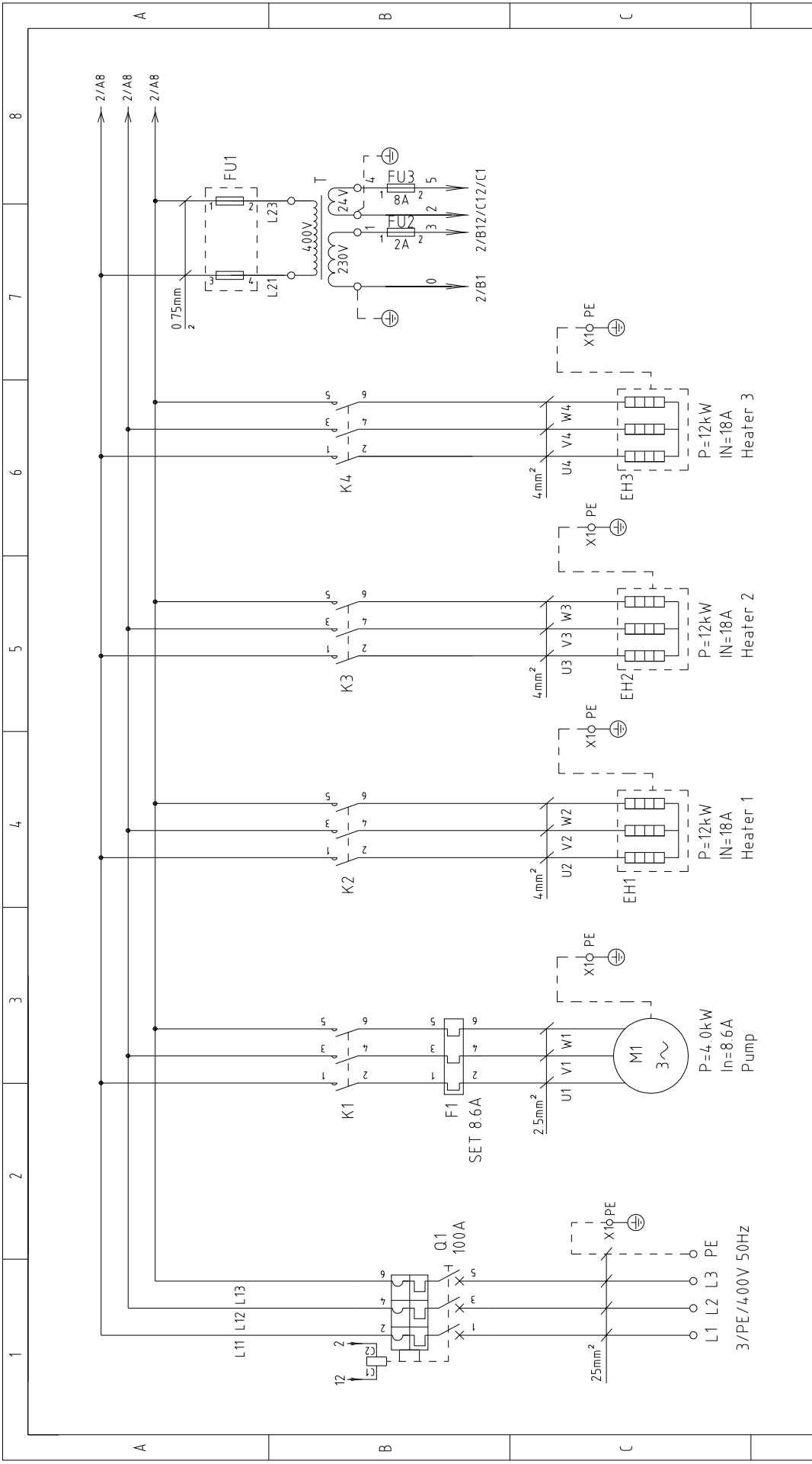
Mark	Before modification	Modified by	20171211	Checked by	20171211	Approved by		Version	F	Title	STM-2440	Drawing NO	STM-2440-CE-4.00V-F-3	Scale	Standard	Page	3	
	After modification	Modify date		Proofread by		Designer				Electrical Components Layout					CE	Totally	5	
																	Pages	
																	Voltage	400V
																	Frequency	50HZ



1 2 3 4 5 6 7 8

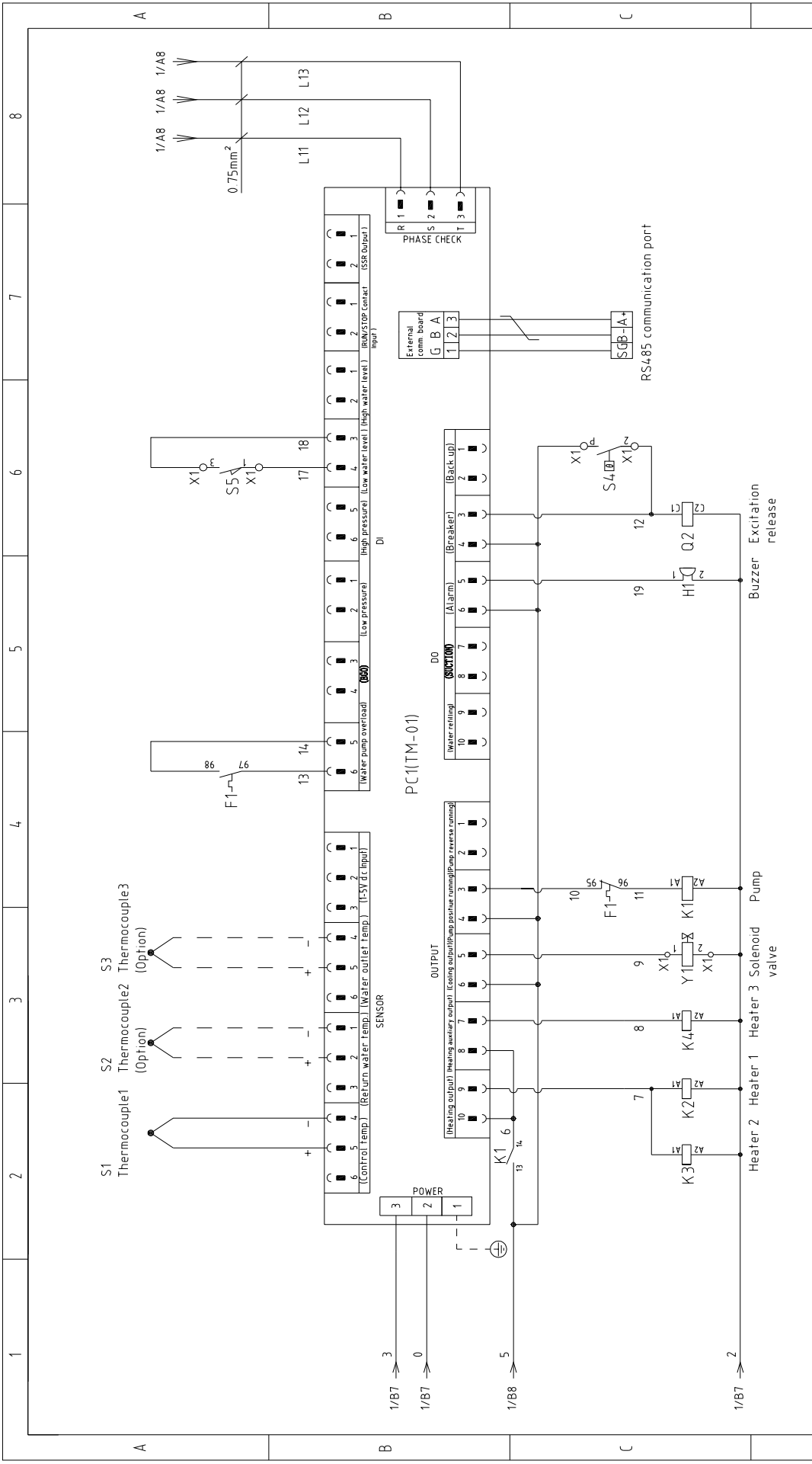



1		2		3		4		5		6		7		8	
NO.	Symbol	Name	Manufacturer	Type	Specification	Number	Material number	Remark							
25	M1	Motor	SHINI	MP-280	400V 50Hz 2.8kW	1	----	(1)(3)							
26	EH1 EH2	Heater	SHINI	12kW	400V 50Hz	2	----	(1)							
27	H1	Buzzer	----	PK-35A	24VAC/DC	1	YE84.003500600								
28	Y1	Solenoid Valve	----	----	230VAC 50/60Hz	1	----	(1)							
29		Terminal fittings E/GKseries(honeywell)			PCS	6,000	YE60000003900								
									A						
									B						
									C						
									D						
STM-2440 版本 Ver.D		Notes: (1)Means it's not the material inside the control box (2)Means equipped with function of displaying water outlet and return water temperature.													
STM-2440M 版本 Ver.D		(3)Means equipped with magnetic pump													
		Title		Version		F		Drawing NO		Scale		Page		5	
		STM-2440		Approved by		Electrical Components List 2		STM-2440-CE-4.00V-F-5		Standard		CE		Totally 5 Pages	
		SHINI		Date		20171211		信易電熱機械股份有限公司		Voltage		400V		50HZ	
		SHINI		Checked by				Shini Plastics Technologies, Inc.		Frequency		50HZ			
Mark		Before modification		Modified by		Modify date				Voltage		400V		50HZ	
1		2		3		4		5		6		7		8	

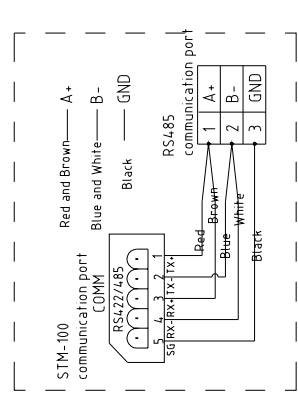
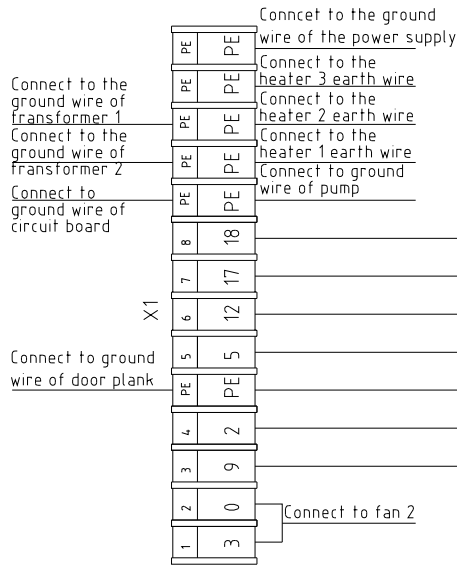
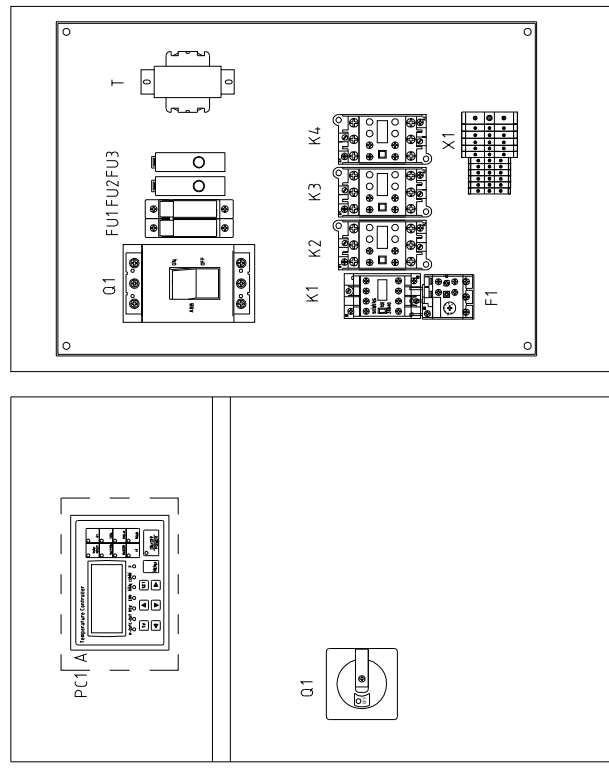


版本 Ver.D		Title STM-3650		Drawing NO STM-3650-CE-400V-E-1		Page 1	
		E		Main Circuit Diagram		Standard CE	
		Version		Approved by		Voltage 400V	
		Designer		Date 20170504		Frequency 50HZ	
		Proofread by				Totally 4 Pages	
		Checked by				Scale	
		Modified by				Voltage	
		Modify date				Frequency	
						400V	
						50HZ	
						8	

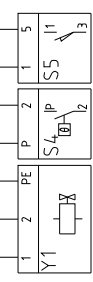




版本	Ver D	Version	E	Title	STM-3650	Drawing NO	STM-3650-CE-400V-E-2	Scale	CE	Page	2
Mark	Before modification	Designer	Approved by	Control Circuit Diagram	Water retuning (Back up)	High pressure (Breaker)	High pressure (High water level)	Standard	CE	Totally	4
	After modification	Proofread by	Date		Water retuning (Back up)	Low pressure (Low pressure)	Low pressure (Low water level)		Voltage		Pages
	Modified by	Checked by	20180102		Water retuning (Back up)	Water pump overload (Water pump)	High pressure (High water level)		Frequency	400V	
	Modify date				Water retuning (Back up)	Water retuning (Back up)	High pressure (High water level)			50HZ	
1	2	3	4	5	6	7	8	 信易電熱機械股份有限公司 Shini Plastics Technologies, Inc.			



S6 RS485 Communications wiring diagram



Solenoid Temp. Micro valve protector switch

版本 Ver.D Technical requirements (1) Pump and pipe heater should be directly connected to the output terminals of contactor and thermal overload relay.

Mark	Before modification	Modified by	20170504	Date	20170504	Checked by		Approved by		Version	E	Title	STM-3650	Drawing NO	STM-3650-CE-4.00V-E-3	Scale	Standard	CE	Page	3	Totally	4	Pages	4.00V	50HZ
SHINI	信易电热机械股份有限公司 Shini Plastics Technologies, Inc.																								

1		2		3		4		5		6		7		8	
NO.	Symbol	Name	Manufacturer	Type	Specification	Number	Material number	Remark							
1	Q1	Breaker Interlock	ABB	A1A125TMF100	100A	1	YE41110200000								
2		Release	ABB	SOR-C	24V-30V AC/DC	1	YE40243000900								
3	K1	Contactors	SIEMENS	3RT6017-1AB01	24VAC	1	YE00601702500								
4	K2 K3 K4	Contactors	SIEMENS	3RT6026-1AC20	24VAC	3	YE00602602600								
5	F1	Thermo Overload Relay	SIEMENS	3RU6116-1JB0	7-10A	1	YE01167100000								
6	FU1	Fuse Base	CHNT	RT28-32	32A 2P	1	YE41032200000								
7		Fuse Core	MRO	10x38 500V	2A	2	YE46002000100								
8	FU2 FU3	Fuse	YINDA	FS-10	----	2	YE41001000000								
9		Fuse	----	6x30/8A	8A	1	YE46863000200								
10	T	Transformer	BAIYUN	IN=400V OUT=24VAC/230V	180VA/350mA	1	YE70040005600								
11	S1	Thermocouple	SHINI	----	K	1	----	(1)							
12	S2 S3	Thermocouple	SHINI	----	K	2	----	(2)							
13	S4	Overheat Protector	----	----	----	1	----	(1)							
14	S5	Limit Switch	RENEW	----	250V 5(4)	1	----	(1)							
15	PC1A	Circuit Board	YUYUN	TM-01 (含通讯)	180~430V 50/60Hz	1	YE81012200300								
16	X1	Terminal Board	----	2.5mm <sup>2</sup>	----	8	YE60002503200								
17		Terminal Board	----	2.5mm <sup>2</sup> PE	----	2	YE60002503400								
18		Terminal Board	----	4.0mm <sup>2</sup> PE	----	3	YE60000403500								
19		Terminal Board	----	35mm <sup>2</sup> PE	----	1	YE60003503500								
20	M1	Motor	SHINI	----	400V 50Hz 4.0kW	1	----	(1)							
21	EH1 EH2 EH3	Heater	SHINI	12kW	400V 50Hz	3	----	(1)							
22	FM1 FM2	Fan	----	----	230V 50/60Hz	2	----	(1)							
23	H1	Buzzer	----	PK-35A	24VAC/DC	1	YE84003500600								
24	Y1	Solenoid Valve	----	----	24VAC	1	----	(1)							
<b>版本</b> Ver.D Notes: (1)Means it's not the material inside the control box (2)Means equipped with function of displaying water outlet and return water temperature.															
				Title		E		STM-3650		Drawing NO		STM-3650-CE-400V-E-4		Page 4	
		Designer		Approved by		Electrical Components List		Standard		CE		Voltage		400V	
Mark		Before modification		Modified by		Modify date		Date		20170504		Frequency		50HZ	
1		2		3		4		5		6		7		8	

