

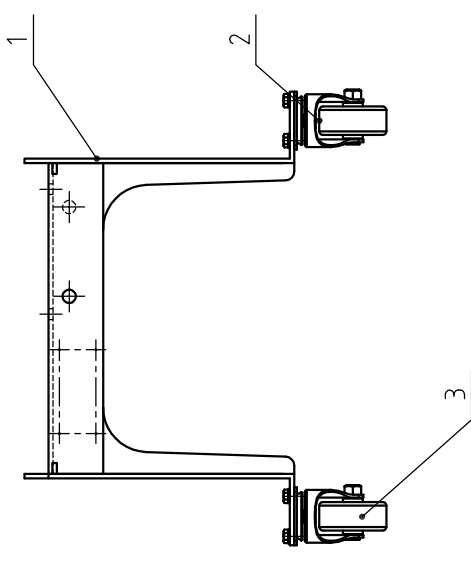
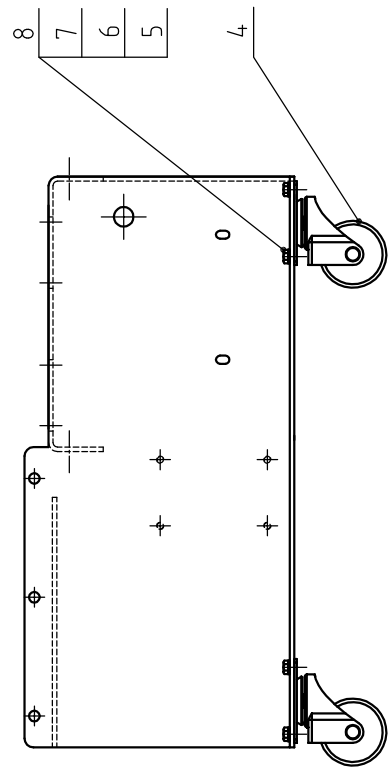
**Technical Requirement:**

**1. Main technical parameters**


- a. Elec. motor 1.5kW;
  - b. Blade shaft rotating speed 230rpm;
2. There shall be no abnormal sound and vibration when idling after startup;
3. The surface shall be smooth, and the joints must be even without paint drop and scratches;
4. With complete Marks and symbols;

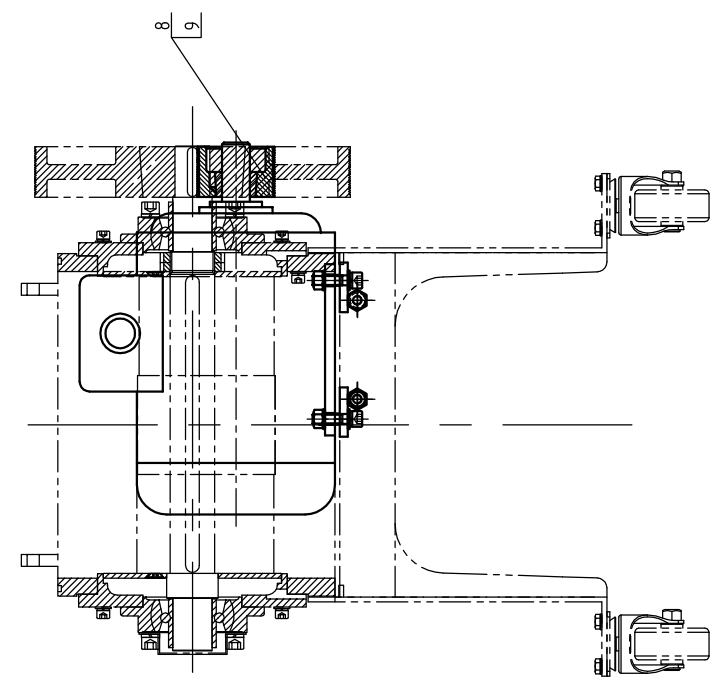
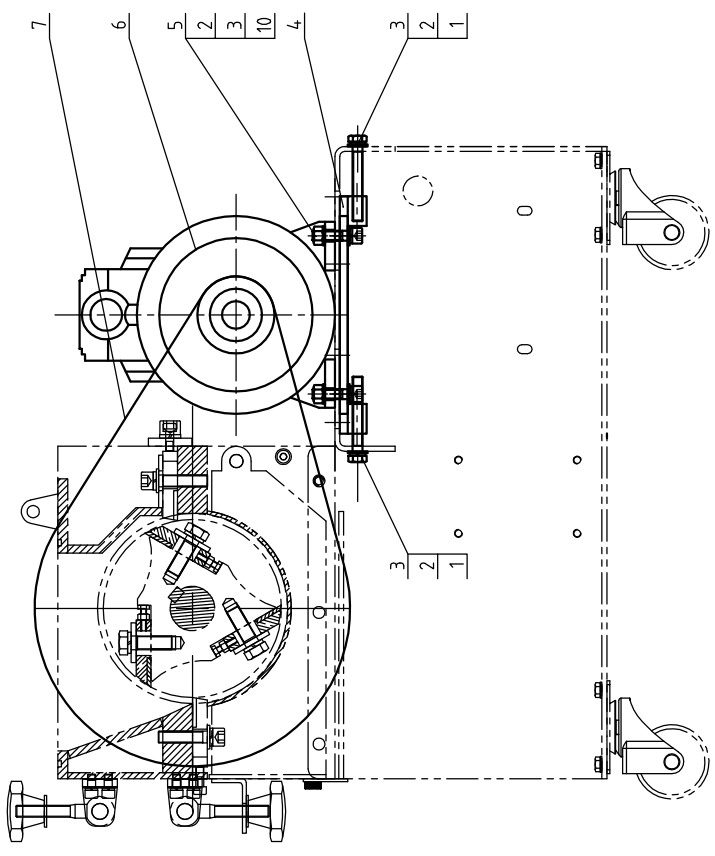
27	YW65010000000	Standard spring washer GB/T93 10-Longzine	14	YR4.0083500000	Five star handle type BM8 X35
26	YW66102000100	Flat washer A gradeGB/T97.1 10(1x20x2)-Longzine	13	--	Storage box
25	YW61102500000	Hexagon socket head cap screwGB/T70.1 M10x25-12.9-Longzine	12	YW680055000000	Inner hexagon flat-end set screwGB/T77 M5x5-Longzine
24	--	Cyclone dust collector assembly	11	YW61124.0000000	Hexagon socket head cap screwGB/T70.1 M12x40-12.9-Longzine
23	YW61082001200	Hexagon socket head cap screwGB/T70.1 M8x20-12.9-Longzine	10	--	Screw locknut
22	--	Shield components	9	--	Feed box assembly
21	YW65006000100	Standard spring washerGB/T93 6-Longzine	8	YR900006000400	Black rubber sealing strip (dia. 6mm)
20	YW6600613000000	Flat washer A gradeGB/T97.1 6(6.6x12x1.6)-Longzine	7	--	Cutting chamber assembly
19	YW610612000000	Hexagon socket head cap screwGB/T70.1 M6x12-12.9-Longzine	6	YW65008000100	Standard spring washerGB/T93 8-Longzine
18	--	Conveying assembly	5	YW6600819000000	Flat washer A gradeGB/T97.1 8(9x16x1.6)-Longzine
17	YW69621600000	Hand screw M6x20x16	4	YW610812000000	Hexagon socket head cap screwGB/T70.1 M8x12-12.9-Longzine
16	--	Suction pipe	3	--	Sealing plate
15	YW64080600000	Hexagon nutGB/T6170 M8-Longzine	2	--	Main transmission device

Version	Title	Drawing NO.	
Designer	SG-1830EB	System Structure Diagram	
Prepared by			
Checked by			
Modify date			
After modification			
Before modification			
Mark			
Material	Material	Material	Material
Surface	Surface	Surface	Surface
Material number	Material number	Material number	Material number
Name		Name	
Proportion		Proportion	
Num.		Num.	



8	YW64080600000	Hexagon nutGB/T6170 M8-Longzine
7	YW66081900000	Flat washer A gradeGB/T97.1 8(9x16x1.6)-Longzine
6	YW65008000100	Standard spring washerGB/T93 8-Longzine
5	YW60082500100	Hexagon screw boltGB/T5783 M8x25-12.9-Longzine
4	YW03000300300	Fixed castors 3"
3	YW03000300200	Flexible castor 3"
2	YW03000300000	Brake castors 3"
1	--	Rack
No.	Material number	Name

Mark	Before modification	Modified by	Modify date	Checked by	Approved by	Version	Title SG-1830EB Rack assembly	Drawing NO. SG-1830EB-A-ALL	Proportion 1:8	Num. 1	Material Components
	After modification	Modified by	Modify date	Checked by	Approved by	Version			Surface	Material number	
 <b>SHINI</b> 信易電熱機械股份有限公司 Shini Plastics Technologies, Inc.											



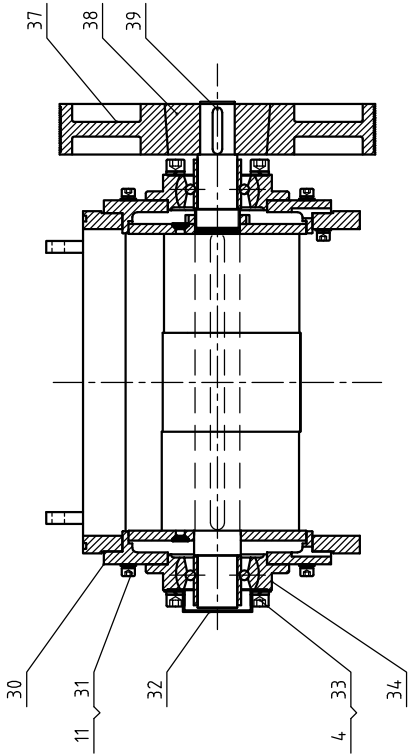
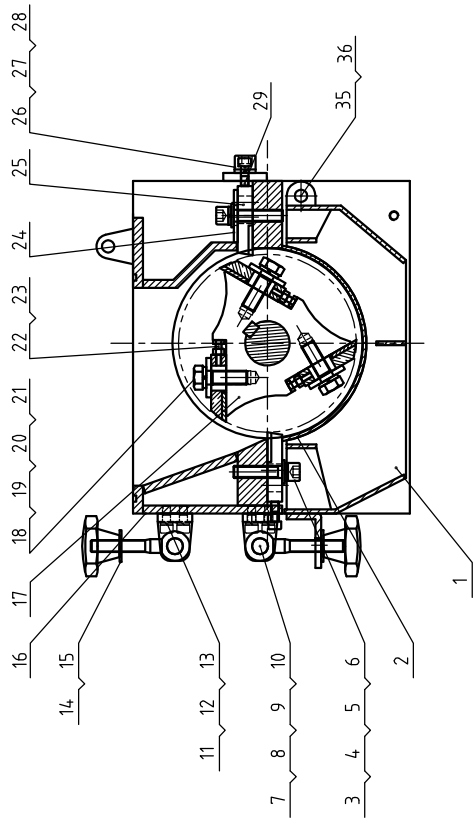
Technical Requirement:  
 1.The groove symmetry of the two pulleys can't be greater than 0.5;  
 2.Adjust the belt tension properly

10	YW64001000100	Hexagon nut GB/T6170 M10-Longzine
9	BW30001605220	Small pulley SG-16-P20P.78-1210 HT250 (assembly)
8	BW30001605420	Small taper sleeve SG-16-1210-28 HT250 (assembly)
7	YW30205000000	V-ribbed belt 20 P.J. 50"
6	YM10201500800	Motor W20 1.5KW-100L-6P B3R 230/400V
5	YW61040002000	Hexagon socket head cap screw GB/T70.1 M10x40-12.9-Longzine
4	---	Motor adjusting plate
3	YW65010000000	Standard spring washer GB/T193 10-Longzine
2	YW66102000100	Flat washer A grade GB/T191.1 10(11x20x2)-Longzine
1	YW60108000000	Hexagon screw bolt GB/T15183 M10x80-8.8-L-Longzine

No.	Material number	Name
Title SG-1830EB Drawing NO.		
Main adjusting plate		
Property	Num	Material
Surface		
Material number		

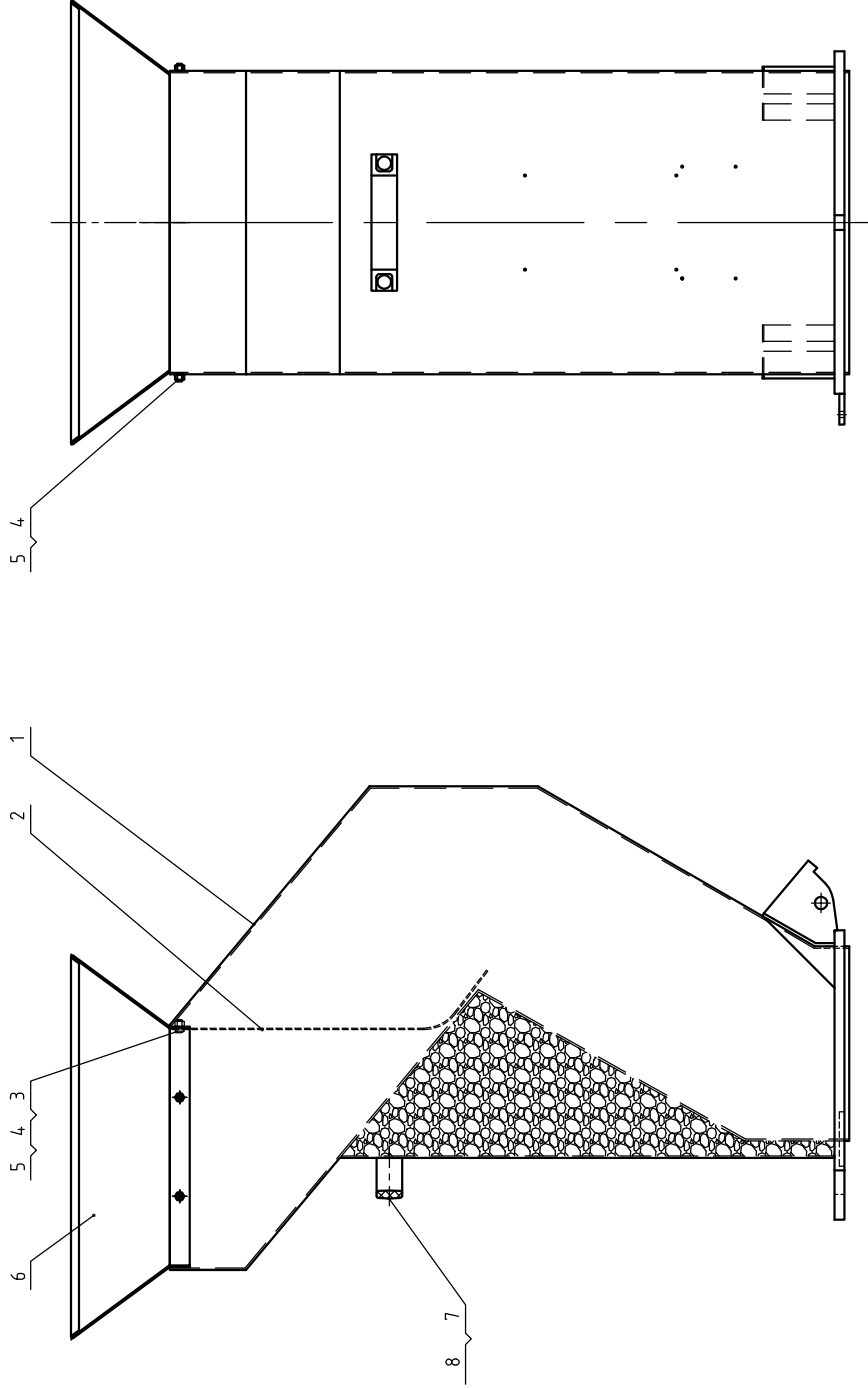


Drawer	Version	Modify date
Designer	Approved by	
Proofread by	Checked by	
Mark	Before modification	After modification



39	---	Flat key 10x8x4.6.5	21	YW65014200000	Standard spring washerGB/T93 14-Longzine
38	BW30001605320	Large pulley SG-16-3020-35 HT250 (Assembly)	20	YW60144500000	Hexagon screw boltGB/T5783 M14x4.5-12.9-Longzine
37	BW30001605120	Large cone sleeve SG-16/20-P20P30P-3020-HT250 (Assembly)	19	---	Moving blade pressing plate
36	YW68061000000	Inner hexagon flat-end set screwGB/T77 M6x10-Longzine	18	---	Moving blade
35	---	Screen frame shaft	17	---	Tool holder shaft
34	YW11020800000	Spherical ball bearing with boss and round seal LFC208	16	---	Crushing box
33	YW61124500000	Hexagon socket head cap screwGB/T70.1 M12x4.5-12.9-Longzine	15	YW091602000000	Big box nut M12
32	---	Tool holder shaft cover plate	14	YW66123200100	Large washer A grade GB/T96 12(13x37x3)-Longzine
31	YW61082501200	Hexagon socket head cap screwGB/T70.1 M8x25-12.9-Longzine	13	YW660816000000	Flat washer A grade GB/T97.18-Longzine
30	---	Bearing block	12	YW65008000100	Hexagon socket head cap screwGB/T70.1 M8x26-12.9-Longzine
29	YW61082000200	Hexagon socket head cap screwGB/T70.1 M8x20-12.9-Longzine	11	YW65008000100	Standard spring washerGB/T93 8-Longzine
28	---	Rear fixed knife adjusting plate	10	YW69001600000	External Circlips GB/T 89A.1 16-A2-70(SUS)
27	YW61103000100	Hexagon socket head cap screwGB/T70.1 M10x30-12.9-Longzine	9	---	Axle pin
26	YW65010000000	Standard spring washerGB/T93 10-Longzine	8	---	Plum screw
25	---	Fixed knife	7	---	Hinge seat
24	---	Rear fixed knife pressing plate	6	YW661644000000	Washer16x40x5-L-ongzine (Non-standard)
23	YW64000600300	Hexagon nutGB/T6170 M6-Longzine	5	YW66122400000	Flat washer A gradeGB/T97.1 12(13x5x2x2.5)-Longzine
22	YW60061200000	Hexagon screw boltGB/T5783 M6x12-12.9-Longzine	4	YW65012200000	Standard spring washerGB/T93 12-Longzine
			3	YW61125500000	Hexagon socket head cap screwGB/T70.1 M2x55-12.9full tooth-Longzine
			2	---	Screen 8mm
			1	---	Screen frame assembly
			No.	Material number	Name
			Title SG-1830EB		Drawing NO.
			Cutting chamber assembly		
		Version			Property
		Designer			Num
		Drawn by			Material
		Checked by			Surface
		Modify date			Material number
Mark	Before modification	After modification	Modified by	Modify date	



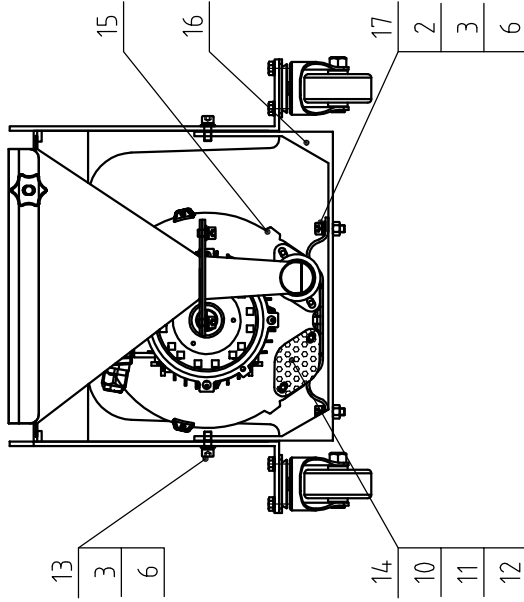
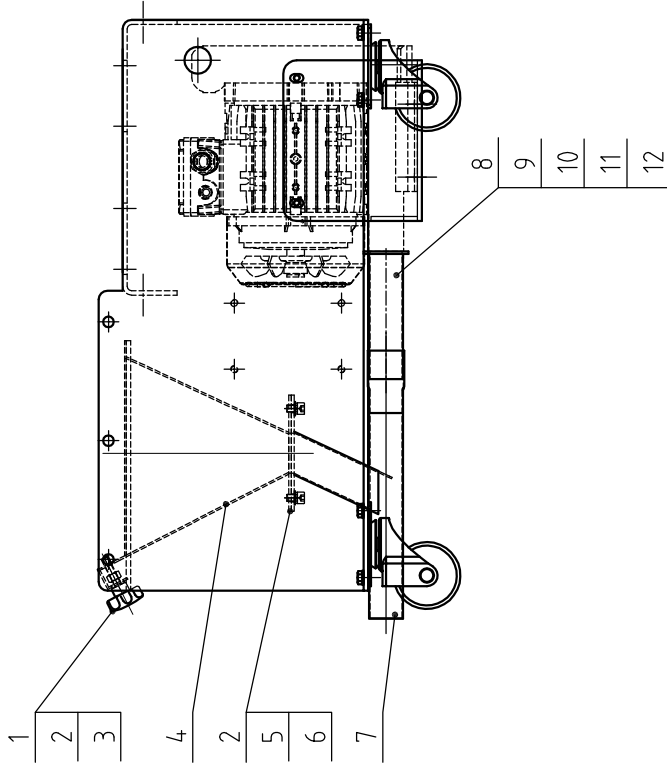


8	YW61081200000	Hexagon socket head cap screwGB/T70.1 M8x12-12.9-Longzine
7	BW2002200014.0	Aluminum square handle L120(M8)Black
6	--	Feed port
5	YW62051000100	Large cross socket flat head screw JIS1111 M5x10-Longzine
4	YW64000500000	Hexagon nut M5Anti-loosening
3	--	Baffle plate press plate
2	--	Baffle plate
1	--	Feeding box

No.	Material number	Name
Title SG-1830EB		Drawing NO.
Feed box assembly		
Propotion	Num	Material
Surface	Material number	


**SHINI** 信昌電熱機械股份有限公司  
Shini Plastics Technologies, Inc.

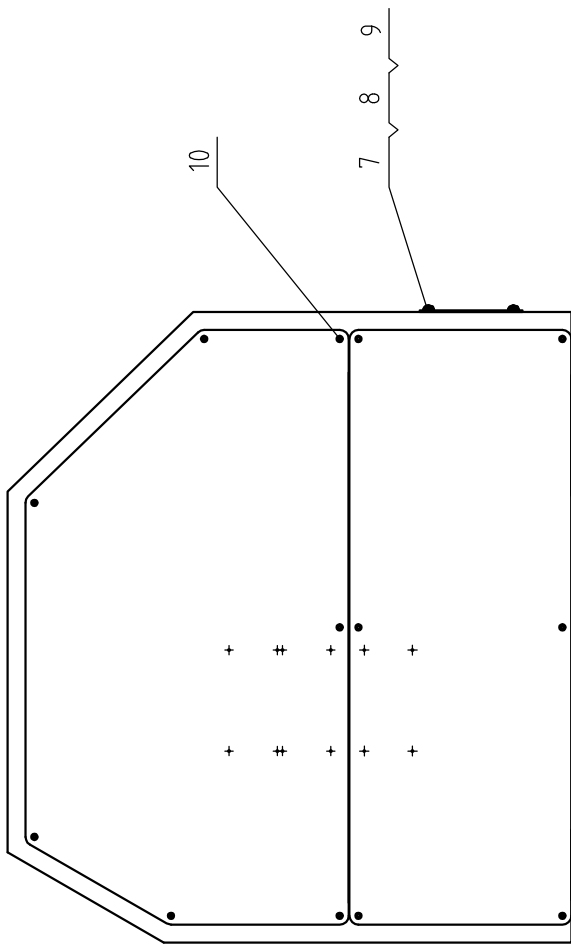
Drawer	Version	Modify date
Designer	Approved by	
Proofread by	Checked by	
Before modification	After modification	Modify date
Mark	Modified by	Modify date



17	YW61082501200	Hexagon socket head cap screwGB/T70.1 M8x25-12.9-Longzine
16	--	Blower fixing plate (optional Blower feeding)
15	BM30020500050	Blower RB-205(1/2HP3ø230V/400V/50/60HZ) black
14	--	Blower screen (optional Blower feeding)
13	YW61082001200	Hexagon socket head cap screwGB/T70.1 M8x20-12.9-Longzine
12	YW65006000100	Standard spring washerGB/T93 6-Longzine

11	YW66061300000	Flat washer A gradeGB/T97.1 616.6x12x16)-Longzine
10	YW61061601200	Hexagon socket head cap screwGB/T70.1 M6x16-12.9-Longzine
9	YR10001000000	Motor suction port tightened IHP
8	--	1.5" motor flange pipe
7	--	Accelerating pipe (optional blower feeding)
6	YW65008000100	Standard spring washerGB/T93 8-Longzine
5	YW61081200000	Hexagon socket head cap screwGB/T70.1 M8x12-12.9-Longzine
4	--	Storage box (optional blower feeding)
3	YW66081900000	Flat washer A gradeGB/T97.1 8(9x16x16)-Longzine
2	YW64.080600000	Hexagon nut GB/T6170 M8-Longzine
1	YR4.0083500000	Five star handle type BM8 X35
No.	Material number	

Mark	Before modification	After modification	Modified by	Modify date	Checked by	Approved by	Version	SG-1830EB		Drawing NO.	Proportion	Num.	Material	Surface	Material number
								Conveying assembly (option)							
 <b>SHINI</b> 信易電熱機械股份有限公司 Shini Plastics Technologies, Inc.															



6	YW64000500000	Non-metal insert hexagon nut GB/T889.1 M5
5	--	Connecting plate
4	--	Lower housing cover plate
3	--	Upper housing cover plate
2	YW69020500000	Rivet GB/T 827 2X5
1	--	Right shell
No.	Material number	Name

10	YW62052000000	Large cross socket flat head screw JIS1111 M5x20-Longzine
9	YW66051300000	Flat washer A grade GB/T97.1 5(5.5x10x1)-Longzine
8	YW61051000200	Cross recessed pan head screw-H GB/T818 M5x10-Longzine
7	BL5021000020	wire fixture fixed plate PG21

SG-1830EB		Drawing No.	
Shield components			
Drawer	Version	Proporition	Num.
Designer	Approved by	Material	Material
Proofread by	Modify date		
Checked by	Modify date	Surface	Material number
Modified by	Modify date	 <b>信易電熱機械股份有限公司</b> <b>Shini Plastics Technologies, Inc.</b>	
After modification	Modify date		