

1 2 3 4 5 6 7 8

A

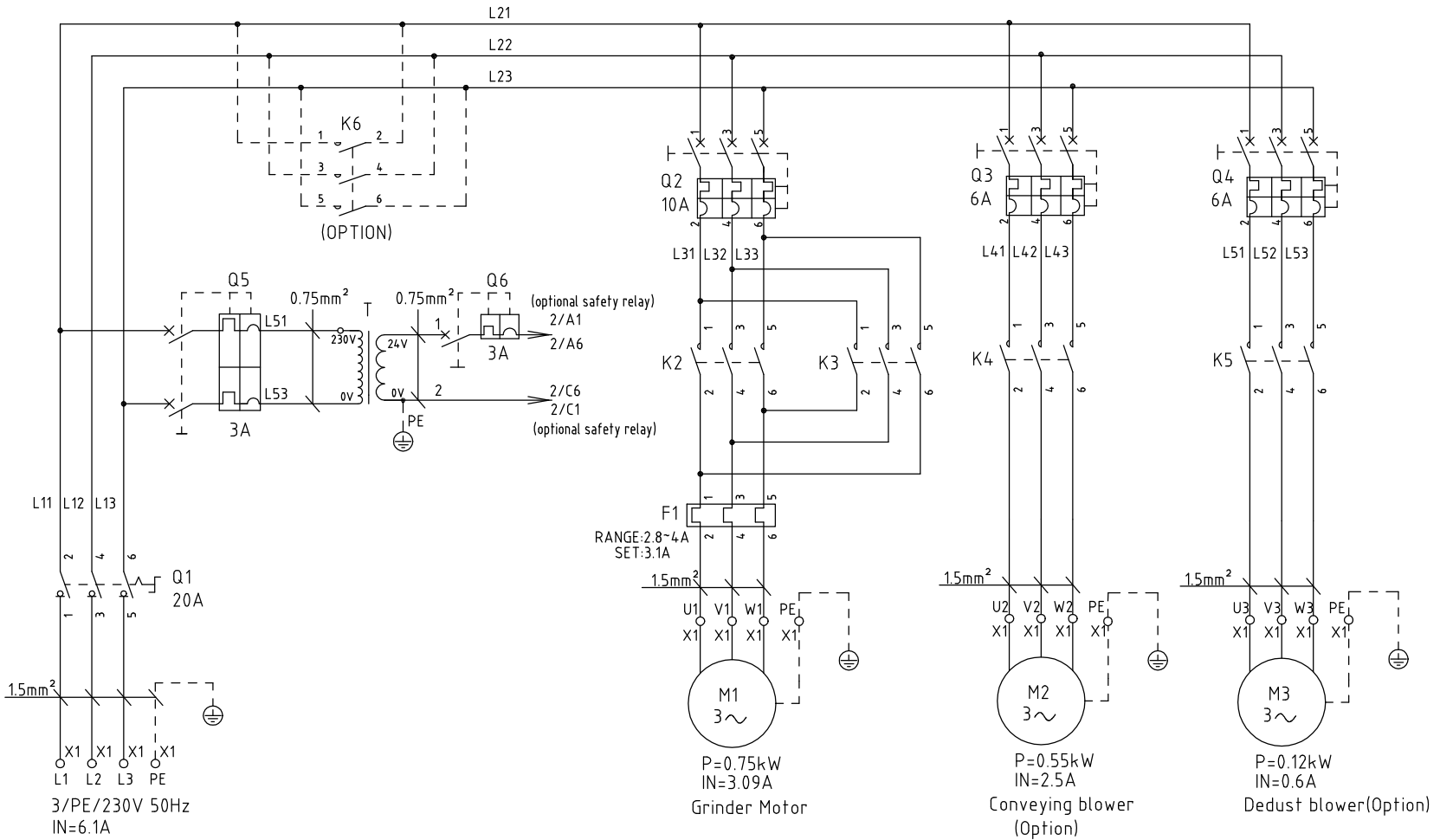
B

C

A

B

C



机型版本 Ver.E

D

D

Mark	Before modification	After modification	Modified by	Modify date	Checked by	Date	20210615	Drawer	Version	1	Title	SG-2417N 主电路图	Drawing NO.	SG-2417N-CE-230V-I-1	Scale	Page	1	
								Designer	Approved by						Standard	CE	Totally	6 Pages
								Proofread by							Voltage	3Φ230V		
														Frequency	50Hz			



1 2 3 4 5 6 7 8

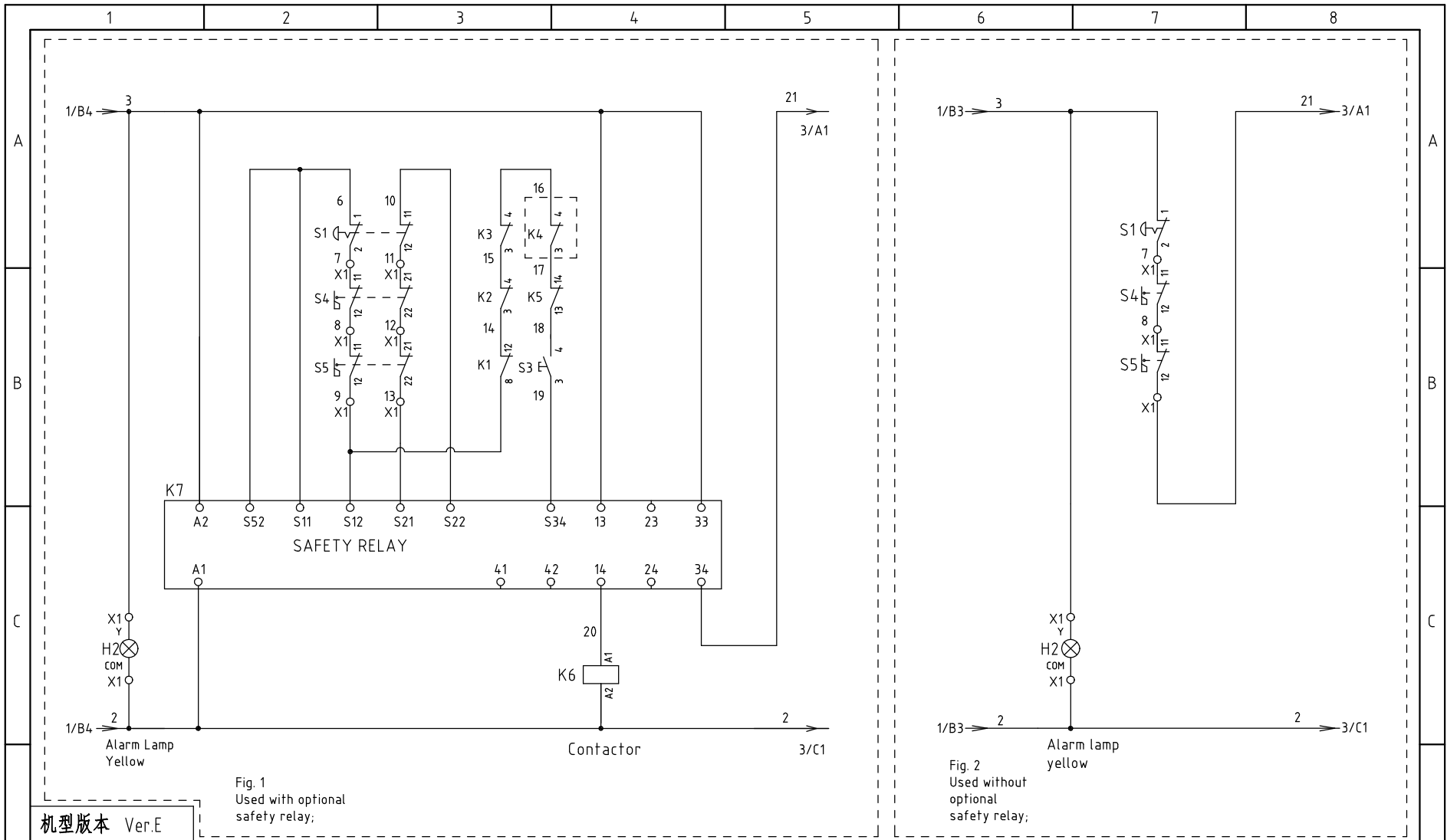


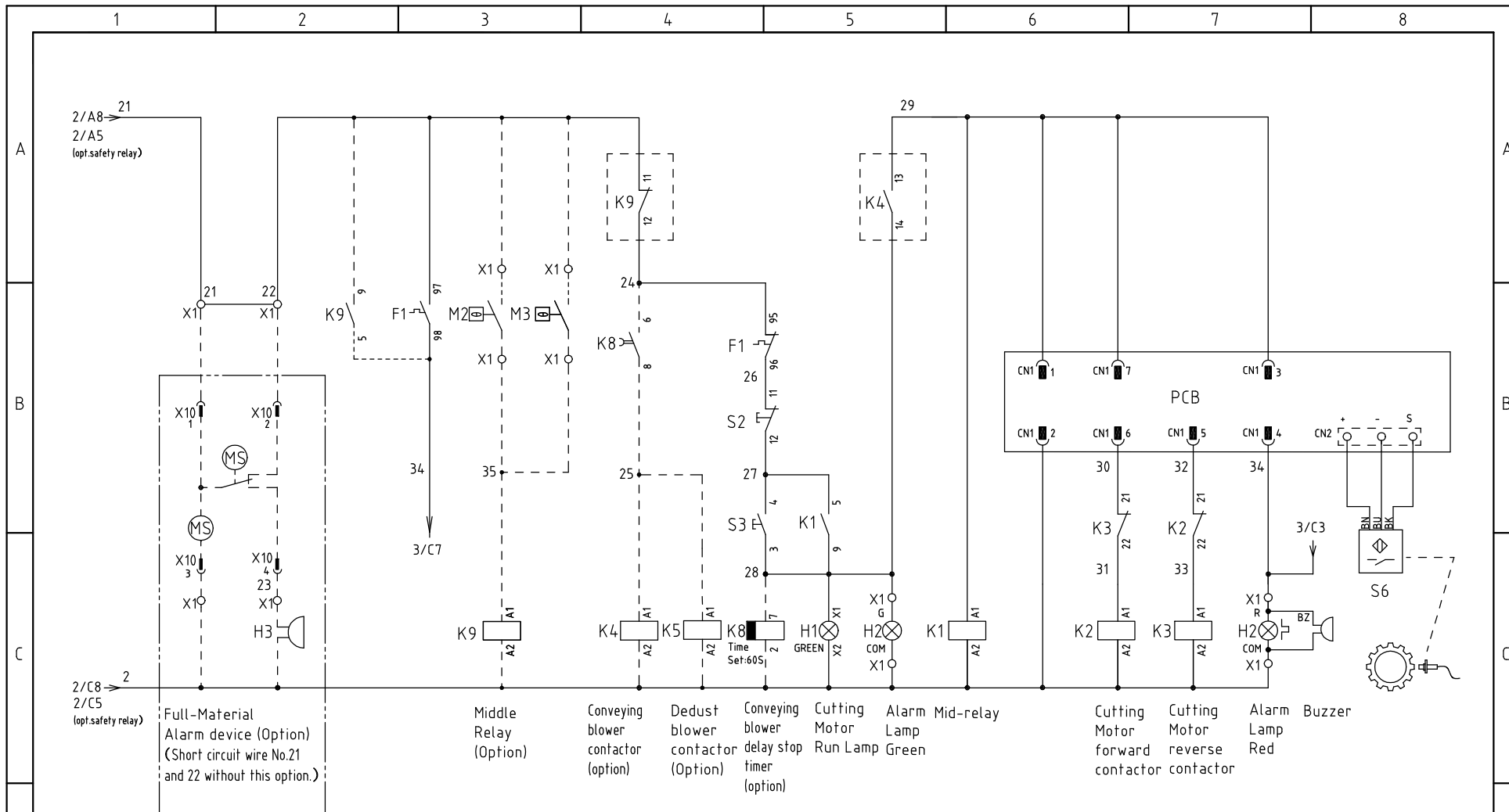
Fig. 1
Used with optional
safety relay;

Fig. 2
Used without
optional
safety relay;

机型版本 Ver.E

				Drawer	Version		I		Title		Drawing NO.		Scale	Page 2	
				Designer	Approved by				SG-2417N		SG-2417N-CE-230V-I-2		Standard	Totally 6 Pages	
				Proofread by	Date		20210615		控制电路图一				Voltage	3Φ230V	
Mark	Before modification	After modification	Modified by	Modify date	Checked by					SHINI		Frequency		50Hz	
1	2	3	4	5	6	7	8								

SHINI 信易電熱機械股份有限公司
Shini Plastics Technologies, Inc.



机型版本 Ver.E

Notes: Options are in the dashed box. If there is no option, short circuit the line 2;

				Drawer	Version		Title		Drawing NO.		Scale	Page 3
				Designer	Approved by		SG-2417N 控制电路图二		SG-2417N-CE-230V-I-3		Standard	Totally 6 Pages
				Proofread by	Date		信易電熱機械股份有限公司 Shini Plastics Technologies, Inc.		Voltage		3Φ230V	
Mark	Before modification	After modification	Modified by	Modify date	Checked by	20210615			Frequency		50Hz	

1

2

3

4

5

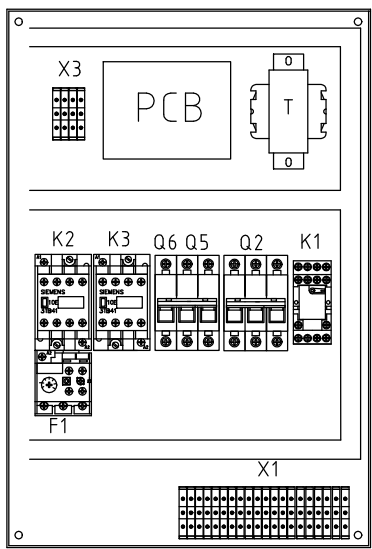
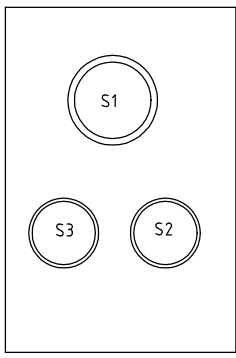
6

7

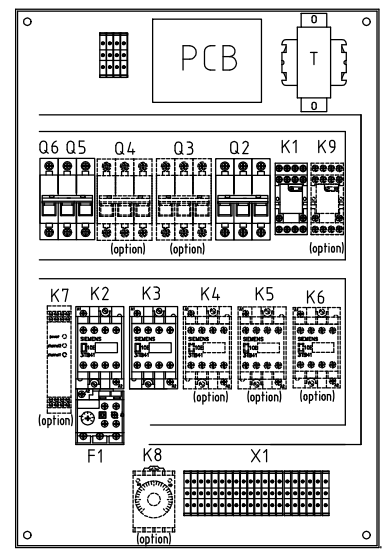
8

1 2 3 4 5 6 7 8

A



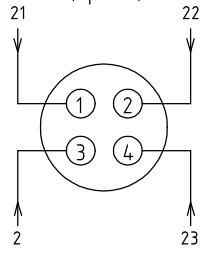
standard assembly drawing



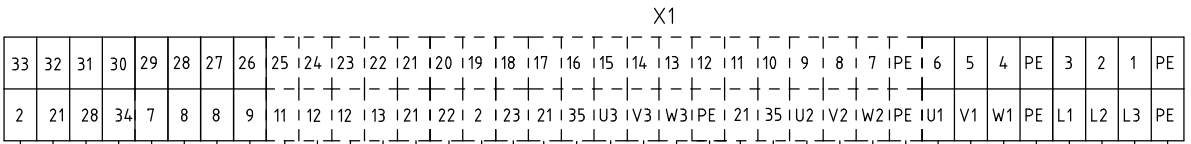
optional assembly drawing

B

X10 Metal connector (option)



C



- Connect to alarm light
yel. gre. red
- Change terminal 9 to 21 without the safety relay.
Connect to safety switch
- Connect to full device alarm (option)
- Connect to dedust thermal prot. (option)
- Connect to dedust blower (option)
- Connect to conveying blower thermal prot. (option)
- Connect to conveyor blower (option)
- Connect to cutting motor
- Connect to power

机型版本 Ver.E

D

				Drawer	Version	I	Title	SG-2417N	Drawing NO.	Scale	Page
				Designer	Approved by		电气元件布置图	SG-2417N-CE-230V-I-4	Standard	CE	Totally 6 Pages
				Proofread by	Date	20210615	信易電熱機械股份有限公司 Shini Plastics Technologies, Inc.		Voltage	3Φ230V	
Mark	Before modification	After modification	Modified by	Modify date	Checked by				Frequency	50Hz	

1 2 3 4 5 6 7 8

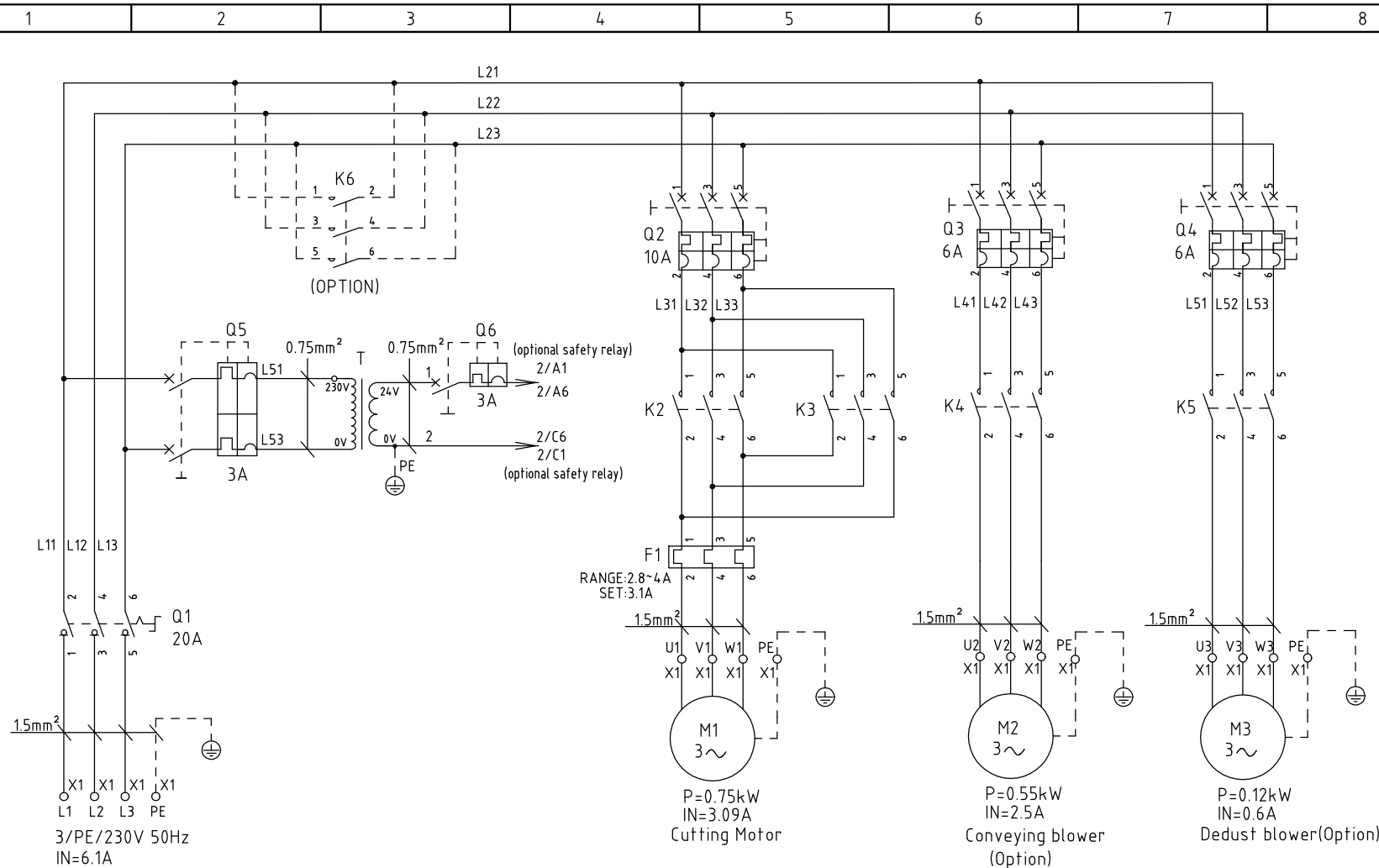
A

B

C

D

1		2		3		4		5		6		7		8			
NO.	Symbol	Name		Manufacturer		Type		Specification		Number	Material number		Remark				
1	Q1	Main power switch		EATON		T0-2-1/EA/SVB		20A		1	YE10021160000		(1)				
2	Q2	Circuit breaker		TECO		BM-63C/3P		10A		1	YE40301003000						
3	Q3	Circuit breaker		TECO		BM-63C/3P		6A		1	YE40300603000		(2)				
4	Q4	Circuit breaker		TECO		BM-63C/3P		6A		1	YE40300603000		(3)				
5	Q5	Circuit breaker		TECO		BM-63C/2003S 2P		3A		1	YE40200203000						
6	Q6	Circuit breaker		TECO		BM-63C/1003S 1P		3A		1	YE40100203000						
7	K1	Middle relay		Honeywell		GR-2C-AC24V		24 VAC		1	YE03022400300						
8	K2,K3	Contactor		SIEMENS		3RT6016-1AB02		24 VAC 50/60Hz		2	YE00601602600						
9		Auxiliary contact		SIEMENS		3RH6911-1HA11		1NO+1NC		2	YE00691100100		(5)				
10	K4	接触器/Contactor		SIEMENS		3RT6016-1AB01		24 VAC 50/60Hz		1	YE00601602500		(2) Cancel				
11	K4	Contactor		SIEMENS		3RT6015-1AB01		24 VAC 50/60Hz		1	YE00601502500		(2)New				
12		Auxiliary contact		SIEMENS		3RH6911-1HA11		1NO+1NC		1	YE00691100100		(2)(5)				
13	K5	Contactor		SIEMENS		3RT6015-1AB01		24 VAC 50/60Hz		1	YE00601502500		(3)				
14	K6	Contactor		SIEMENS		3RT6016-1AB02		24 VAC 50/60Hz		1	YE00601602600		(5)				
15	K7	Safety relay		PILZ		PNOZ×2.8P		24 V AC/DC		1	YE04023000000		(5)				
16	K8	Time relay		YUYUN		TRF-N 3min		24 VAC 50/60Hz		1	YE86032400000		(2)				
17	K9	Middle relay		HONEYWELL		GR-2C-AC24V		24 VAC		1	YE03022400300		(2)(3)				
18	F1	Thermal overload relay		SIEMENS		3RU6116-1EB0		2.8-4.0A		1	YE01160280000						
19	H2	3-color alarm light		SHINI		Red. gre. yel.+buzzer		24 VAC 50/60Hz		1	BL90002401520		(1)				
20	H3	Buzzer		TEND		EA-2		24 VAC		1	YE84240200000		(1) (4)				
21	S1	Emergency stop button		SCHNEIDER		XB2BS542C		230VAC		1	YE11254200000		(1)				
22		Contact block		SCHNEIDER		ZB2BE102C		1NC		1	YE00210203100		(1)(5)				
23	S2	Stop button		SCHNEIDER		XB2BA22C		230VAC		1	YE11222000000		(1)				
24	S3,H1	Start button (with light)		SCHNEIDER		XB2BW33B1C		24 VAC		1	YE11233100000		(1)				
25		Contact block		SCHNEIDER		ZB2BE101C		1NO		1	YE00210103100		(1)(5)				
机型版本 Ver.E		Notes:(1)Materials not inthe control box;(2)Conveying blower assembly;(3)Dedust blower assembly;(4) Full- material alarm options;(5) Safety relay options;															
				Drawer		Version		I		Title		Drawing NO.		Scale		Page 5	
				Designer		Approved by				SG-2417N 电气元件明细表一		SG-2417N-CE-230V-I-5		Standard CE		Totally 6 Pages	
				Proofread by		Checked by		Date		20210615				Voltage		3φ230V	
Mark		Before modification		After modification		Modified by		Modify date				SHINI 信易電熱機械股份有限公司 Shini Plastics Technologies, Inc.		Frequency		50Hz	
1		2		3		4		5		6		7		8			



机型版本 Ver.E

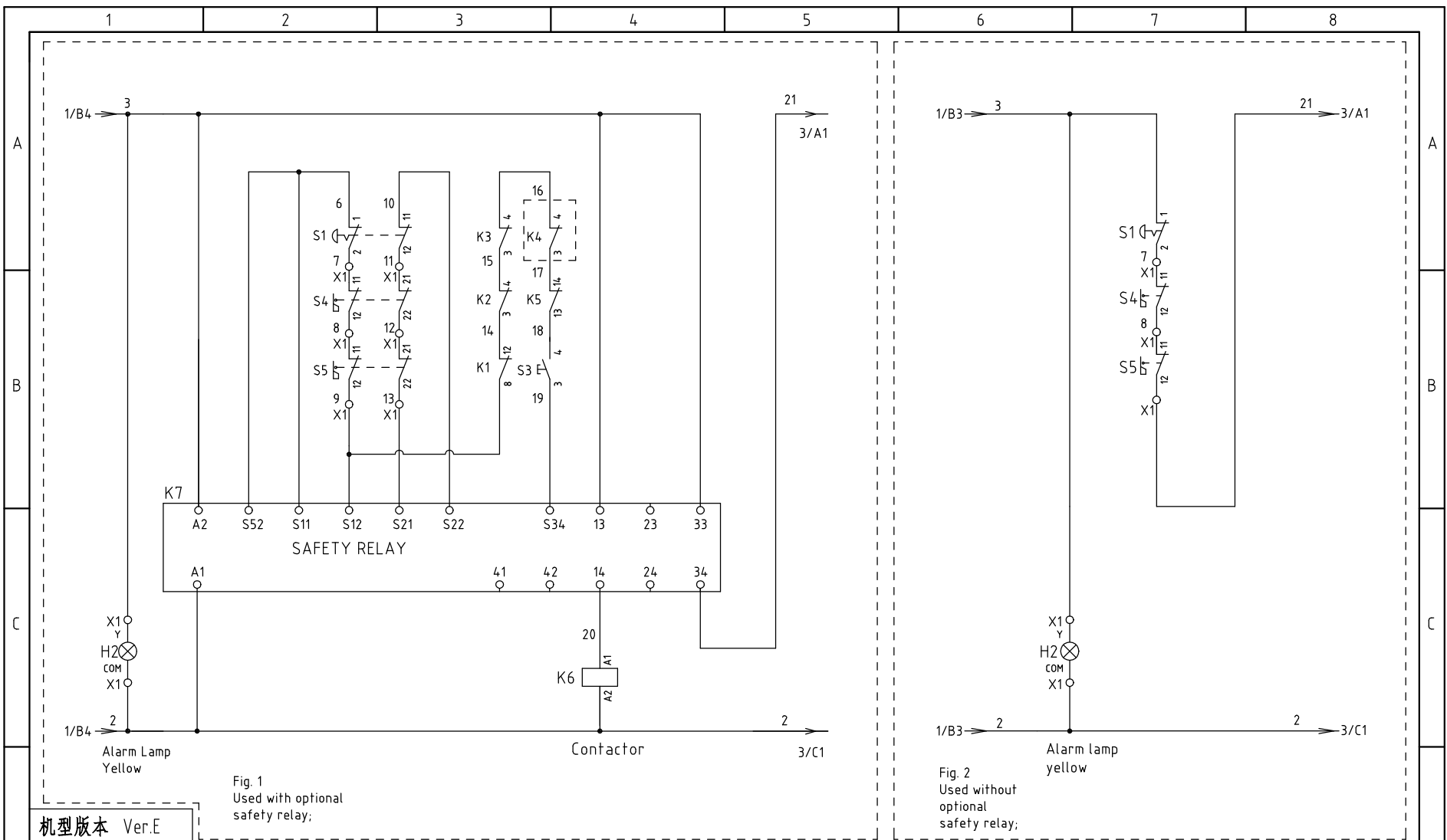
Mark	Before modification	After modification	Modified by	Modify date	Checked by	Date	20210615
					Proofread by	Approved by	
					Designer	Version	I
					Drawer		

Title SG-2427N
主电路图

Drawing NO. SG-2427N-CE-230V-I-1

SHINI 信易电热机械股份有限公司
Shini Plastics Technologies, Inc.


Scale		Page	1
Standard	CE	Totally	6 Pages
Voltage	3Φ230V		
Frequency	50Hz		

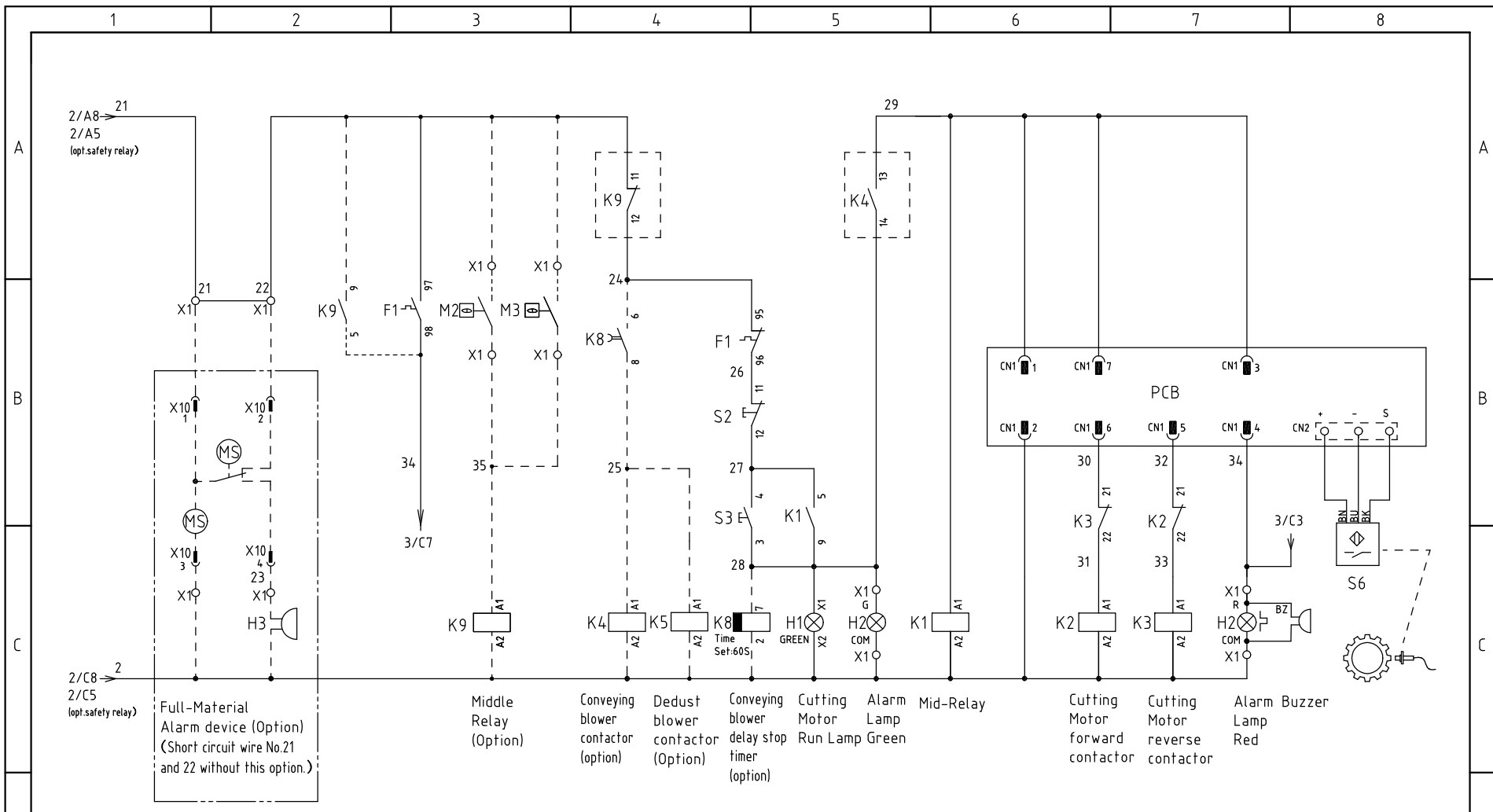


机型版本 Ver.E

Fig. 1
Used with optional
safety relay;

Fig. 2
Used without
optional
safety relay;

				Drawer	Version	I	Title	SG-2427N	Drawing NO.	Scale	Page 2
				Designer	Approved by		控制电路图一	SG-2427N-CE-230V-I-2	Standard	CE	Totally 6 Pages
				Proofread by	Date	20210615	 信易電熱機械股份有限公司 Shini Plastics Technologies, Inc.	Voltage	3Φ230V		
Mark	Before modification	After modification	Modified by	Modify date	Checked by			Frequency	50Hz		
1	2	3	4	5	6	7	8				



机型版本 Ver.E

Notes: Options are in the dashed box. If there is no option, short circuit the line 2;

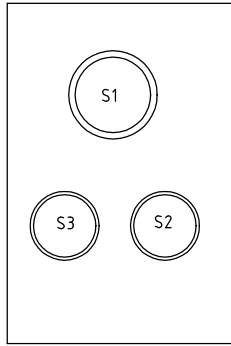
Mark	Before modification	After modification	Modified by	Modify date	Checked by	Date	20210615
					Proofread by	Approved by	
					Designer	Version	I
					Drawer		

Title
SG-2427N
控制电路图二

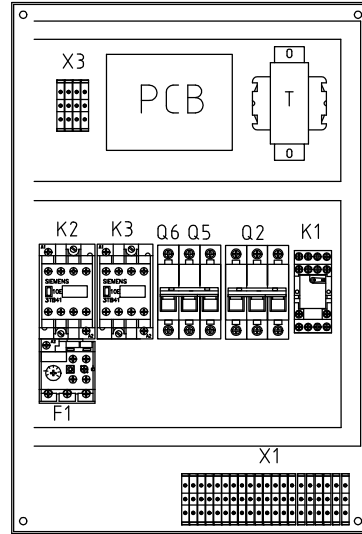
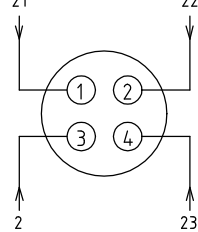
Drawing NO.
SG-2427N-CE-230V-I-3

Scale		Page	3
Standard	CE	Totally	6 Pages
Voltage	3φ230V		
Frequency	50Hz		

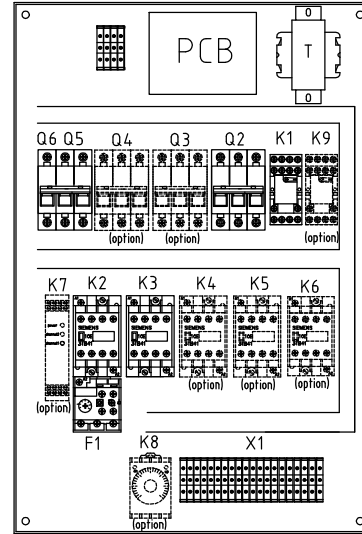




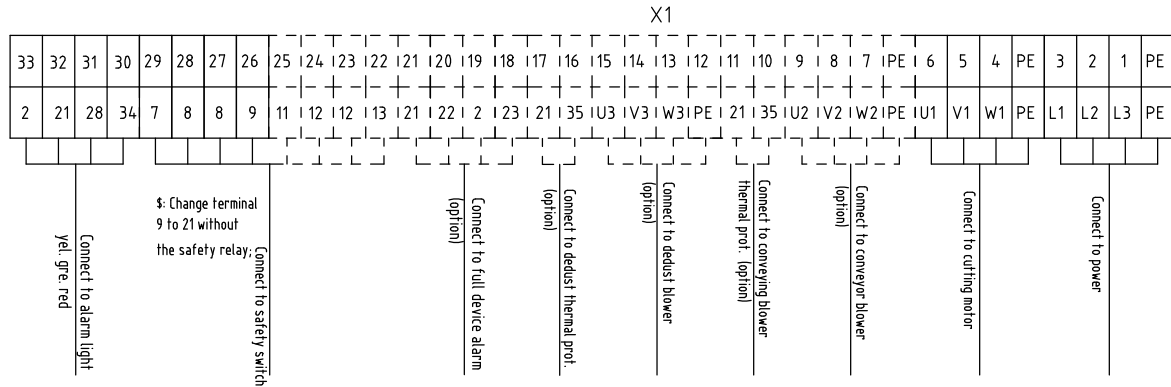
X10 Metal connector (option)



standard assembly drawing



optional assembly drawing



机型版本 Ver.E

Mark	Before modification	After modification	Modified by	Modify date	Checked by	Date	20210615
Drawer	Version	I	Designer	Approved by	Proofread by		

Title: SG-2427N
 电气元件布置图

Drawn NO.: SG-2427N-CE-230V-I-4

SHINI 信易电热机械股份有限公司
 Shini Plastics Technologies, Inc.

Scale	Page 4
Standard	CE
Totally	6 Pages
Voltage	3Φ230V
Frequency	50Hz

1		2		3		4		5		6		7		8		
NO.	Symbol	Name		Manufacturer		Type		Specification		Number	Material number		Remark			
A	1	Q1	Main power switch		EATON		T0-2-1/EA/SVB		20A		1	YE10021160000		(1)		
	2	Q2	Circuit breaker		TECO		BM-63C/3P		10A		1	YE40301003000				
	3	Q3	Circuit breaker		TECO		BM-63C/3P		6A		1	YE40300603000		(2)		
	4	Q4	Circuit breaker		TECO		BM-63C/3P		6A		1	YE40300603000		(3)		
	5	Q5	Circuit breaker		TECO		BM-63C/2003S 2P		3A		1	YE40200203000				
	6	Q6	Circuit breaker		TECO		BM-63C/1003S 1P		3A		1	YE40100203000				
	7	K1	Middle relay		Honeywell		GR-2C-AC24V		24 VAC		1	YE03022400300				
B	8	K2,K3	Contactor		SIEMENS		3RT6016-1AB02		24 VAC 50/60Hz		2	YE00601602600				
	9		Auxiliary contact terminal		SIEMENS		3RH6911-1HA11		1NO+1NC		2	YE00691100100		(5)		
	10	K4	接触器/Contactor		SIEMENS		3RT6016-1AB01		24 VAC 50/60Hz		1	YE00601602500		(2)Cancel		
	11	K4	Contactor		SIEMENS		3RT6015-1AB01		24 VAC 50/60Hz		1	YE00601502500		(2)New		
	12		Auxiliary contact		SIEMENS		3RH6911-1HA11		1NO+1NC		1	YE00691100100		(2)(5)		
	13	K5	Contactor		SIEMENS		3RT6015-1AB01		24 VAC 50/60Hz		1	YE00601502500		(3)		
	14	K6	Contactor		SIEMENS		3RT6016-1AB02		24 VAC 50/60Hz		1	YE00601602600		(5)		
C	15	K7	Safety relay		PILZ		PNOZ×2.8P		24V AC/DC		1	YE04023000000		(5)		
	16	K8	Time relay		YUYUN		TRF-N 3min		24 VAC 50/60Hz		1	YE86032400000		(2)		
	17	K9	Middle relay		HONEYWELL		GR-2C-AC24V		24 VAC		1	YE03022400300		(2)(3)		
	18	F1	Thermal overload relay		SIEMENS		3RU6116-1EB0		2.8-4.0A		1	YE01160280000				
	19	H2	3-color alarm light		SHINI		Red. gre. yel.+buzzer		24 VAC 50/60Hz		1	BL90002401520		(1)		
	20	H3	Buzzer		TEND		EA-2		24 VAC		1	YE84240200000		(1)(4)		
	21	S1	Emergency stop button		SCHNEIDER		XB2BS542C		230VAC		1	YE11254200000		(1)		
D	22		Contact block		SCHNEIDER		ZB2BE102C		1NC		1	YE00210203100		(1)(5)		
	23	S2	Stop button		SCHNEIDER		XB2BA22C		230VAC		1	YE11222000000		(1)		
	24	S3,H1	Start button (with light)		SCHNEIDER		XB2BW33B1C		24 VAC		1	YE11233100000		(1)		
	25		Contact block		SCHNEIDER		ZB2BE101C		1NO		1	YE00210103100		(1)(5)		
	机型版本 Ver.E		Notes:(1)Materials not in the control box;(2)Conveying blower assembly;(3)Dedust blower assembly;(4) Full- material alarm options; (5) Safety relay accessories;													
	Mark	Before modification	After modification	Modified by	Modify date	Checked by	Drawer	Version	I	Title	SG-2427N 电气元件明细表一	Drawing NO.	SG-2427N-CE-230V-I-5	Scale	Page	5
							Designer	Approved by						Standard	CE	Totally 6 Pages
						Proofread by							Voltage	3Φ230V		
						Date	20210615						Frequency	50Hz		
1		2		3		4		5		6		7		8		



信易電熱機械股份有限公司
Shini Plastics Technologies, Inc.

1		2		3		4		5		6		7		8			
NO.	Symbol	Name		Manufacturer	Type		Specification		Number	Material number		Remark					
A	26	S4,S5	Safety switch		SCHMERSAL	AZ 152VK-1476		AC-15		2	YE16147600100		(1)				
	27	S4,S5	Safety switch		SCHMERSAL	AZ16-02ZVRK-1476		AZ-16		2	YE16147600000		(1)(5)				
	28	PCB	Circuit board PCB		YUYUN	AC-01		24VAC		1	YE80012400600						
	29	T	Mutual transformer		BAIYUN	IN=230V OUT=24V		80VA		1	YE70248005900						
	30	S6	Sensor		DELIN	DL-12		24VDC NPN		1	YE15122400000		(1)				
	31	MS	Level sensor		----	SR-80		3A/24V		1	YE15802400100		(1)(4)				
	32	X1	Terminal board		Honeywell	SK2.5		2.5mm ²		14	YE60002503200						
B	33				Honeywell	GK2.5PE		2.5mm ² PE		2	YE60002503400						
	34				Honeywell	SK2.5		2.5mm ²		3	YE60002503200		(2)				
	35				Honeywell	GK2.5PE		2.5mm ² PE		1	YE60002503400		(2)				
	36				Honeywell	SK2.5		2.5mm ²		3	YE60002503200		(3)				
	37				Honeywell	GK2.5PE		2.5mm ² PE		1	YE60002503400		(3)				
	38				Honeywell	SK2.5		2.5mm ²		4	YE60002503200		(4)				
	39				Honeywell	SK2.5		2.5mm ²		4	YE60002503200		(5)				
C	40	X10	Metal connector		----	PLT-254-PM		4P		1	YE68025400000		(1)(4)				
	41				----	PLT-254-RF		4P		1	YE68025400100		(1)(4)				
	42	M1	Granulating motor		----	----		230V 50Hz 0.75kW		1	-----		(1)				
	43	M2	Conveying blower		----	----		230V 50Hz 0.55kW		1	-----		(1)(2)				
	44	M3	Dedust blower		----	----		230V 50Hz 0.12kW		1	-----		(1)(3)				
D	机型版本 Ver.E		Notes:(1)Materials not inthe control box;(2)Conveying blower assembly;(3)Dedust blower assembly;(4) Full- material alarm options; (5) Safety relay accessories;														
					Drawer		Version	I	Title	SG-2427N	Drawing NO.	SG-2427N-CE-230V-I-6	Scale		Page	6	
					Designer		Approved by		电气元件明细表二				Standard	CE	Totally	6	Pages
					Proofread by		Date	20210615	 信易電熱機械股份有限公司 Shini Plastics Technologies, Inc.				Voltage	3Φ230V			
Mark	Before modification	After modification	Modified by	Modify date	Checked by								Frequency	50Hz			

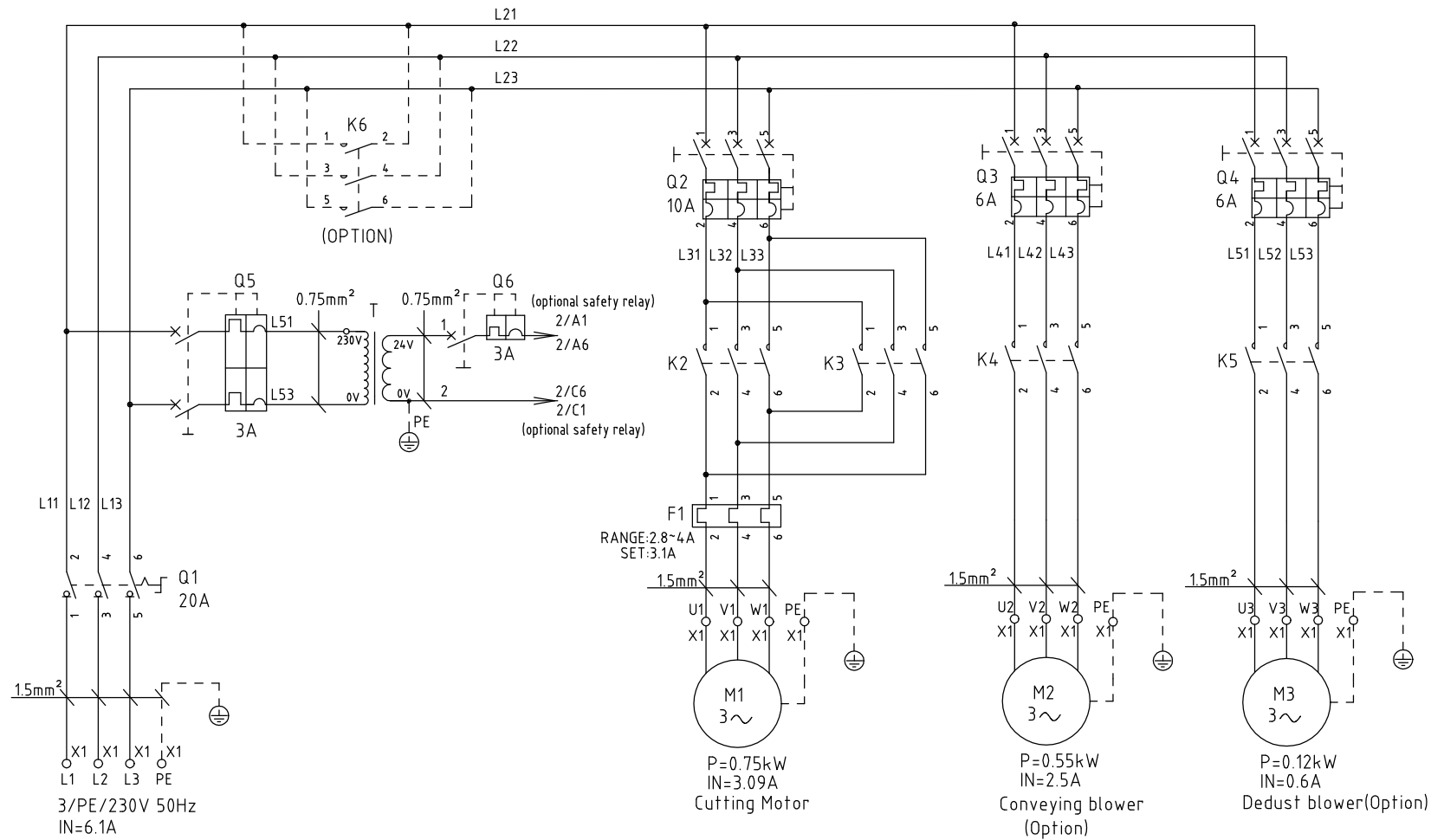
1 2 3 4 5 6 7 8

A A

B B

C C

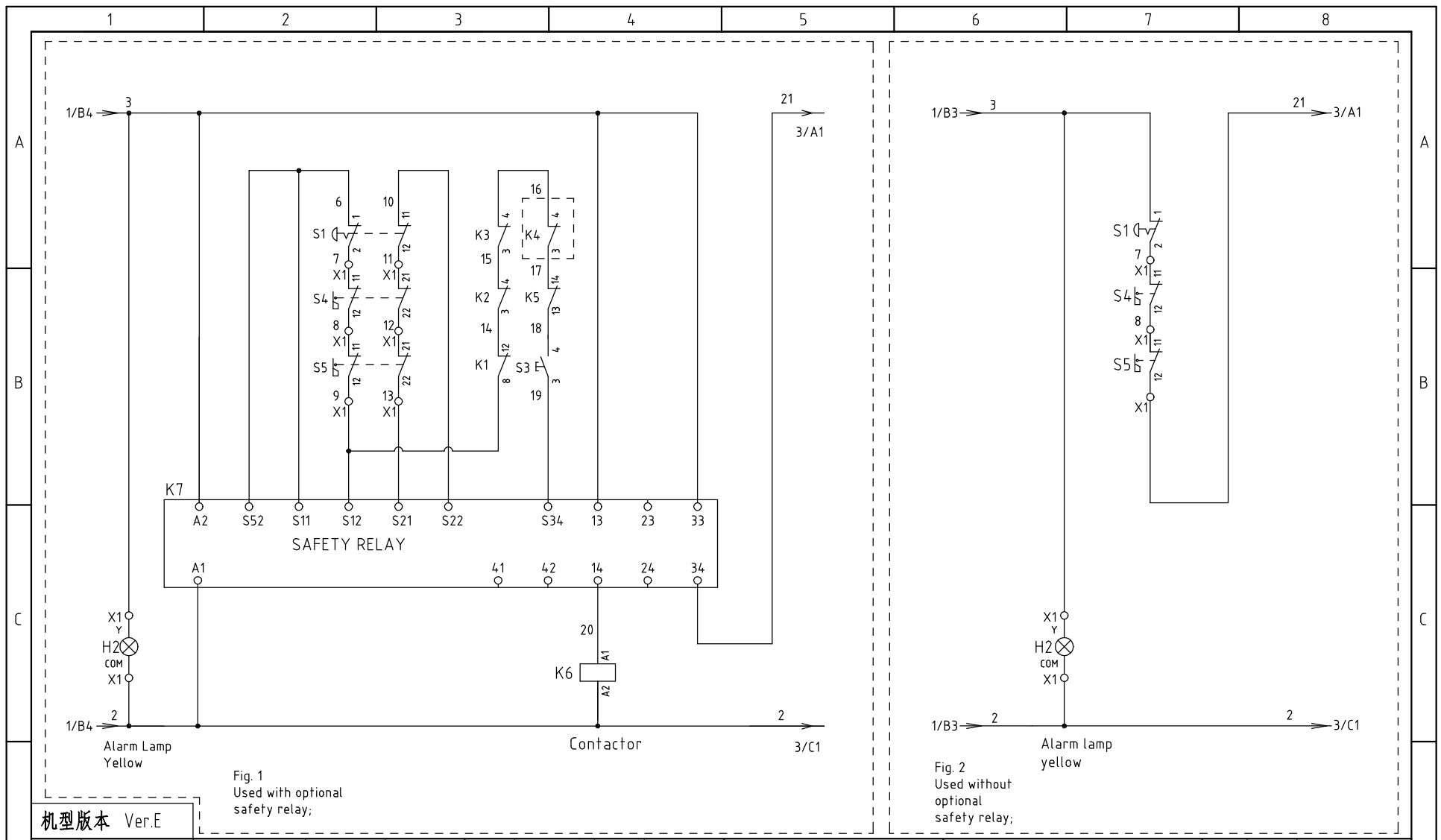
D D



机型版本 Ver.E

				Drawer	Version	I	Title	SG-2427N	Drawing NO.	Scale	Page	1
				Designer	Approved by		主电路图	SG-2427N-CE-230V-I-1	Standard	CE	Totally	6 Pages
				Proofread by	Checked by		信易電熱機械股份有限公司 Shini Plastics Technologies, Inc.	Voltage	3Φ230V			
Mark	Before modification	After modification	Modified by	Modify date	Date	20210615		Frequency	50Hz			

1 2 3 4 5 6 7 8

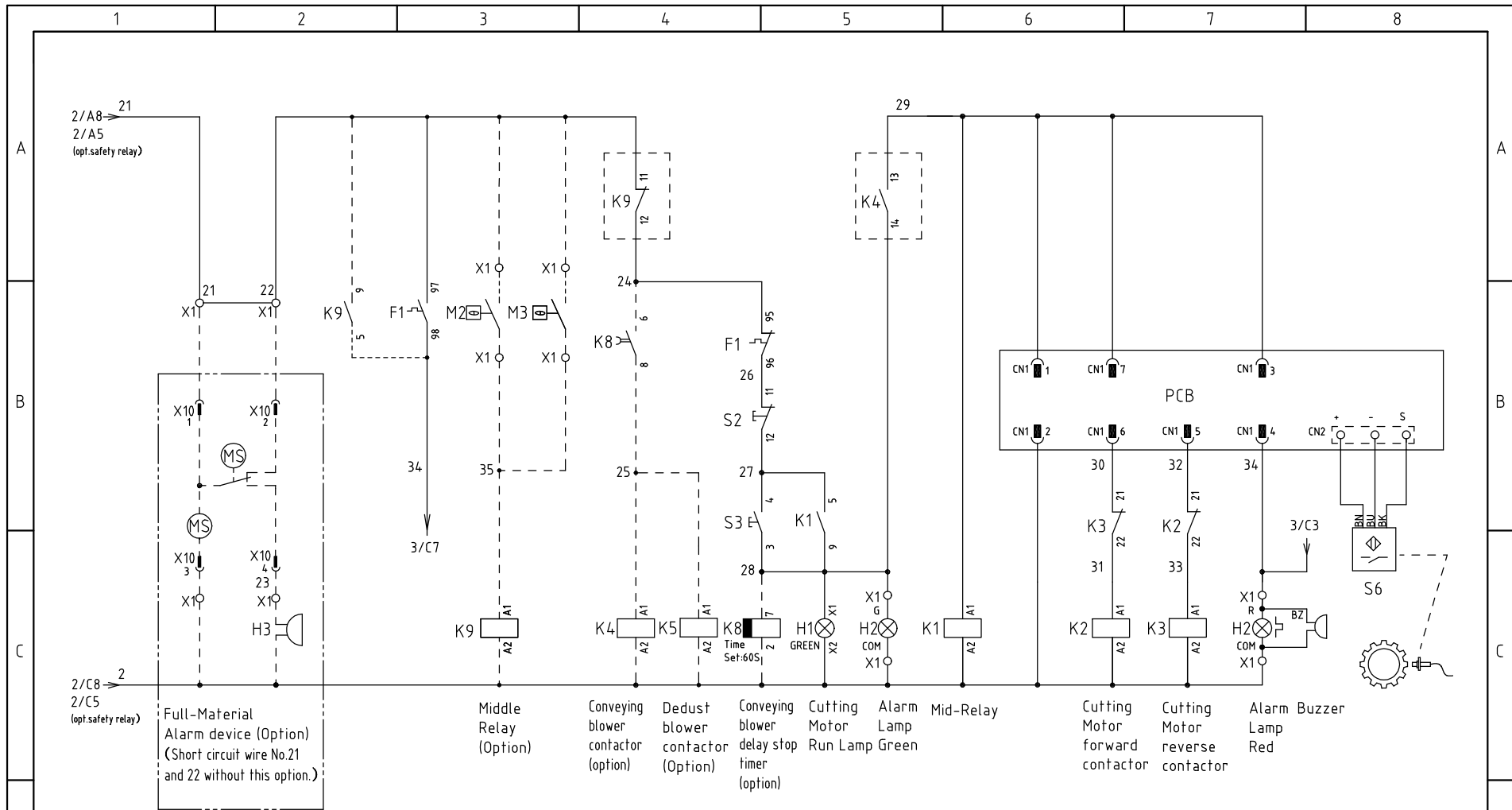


机型版本 Ver.E

					Drawer	Version	I
					Designer	Approved by	
					Proofread by		
Mark	Before modification	After modification	Modified by	Modify date	Checked by	Date	20210615

Title		Drawing NO.		Scale	Page
SG-2427N 控制电路图一		SG-2427N-CE-230V-I-2		CE	2
Voltage				3Φ230V	
Frequency				50Hz	





机型版本 Ver.E

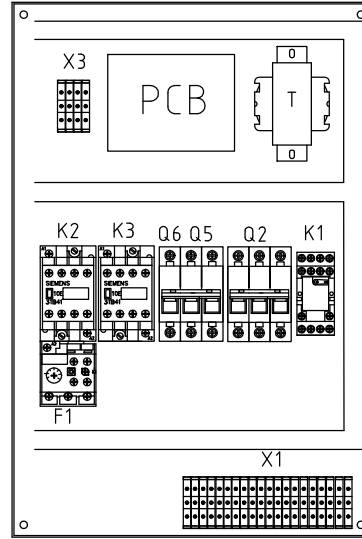
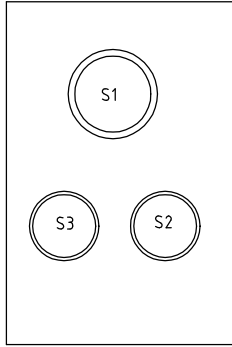
Notes: Options are in the dashed box. If there is no option, short circuit the line 2;

D	Drawer	Version	I	Title	SG-2427N 控制电路图二	Drawing NO.	SG-2427N-CE-230V-I-3	Scale	Page	3
	Designer	Approved by		Standard	CE	Totally	6	Pages		
D	Proofread by	Date	20210615	Voltage	3Φ230V		Frequency	50Hz		
	Mark	Before modification	After modification	Modified by	Modify date	Checked by				

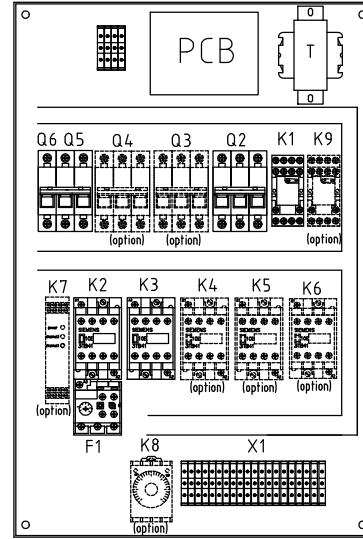


1 2 3 4 5 6 7 8

A



standard assembly drawing

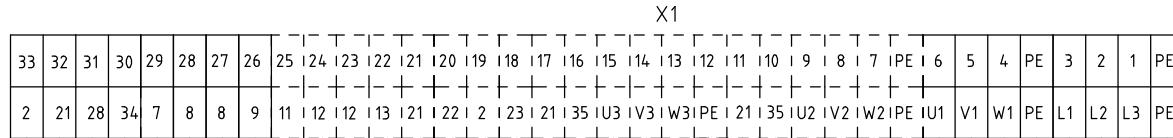
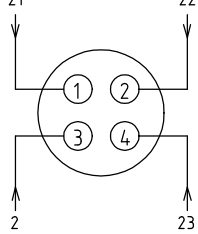


optional assembly drawing

B

C

X10 Metal connector (option)



Connect to alarm light
yel, gre, red

Change terminal 9 to 21 without the safety relay
Connect to safety switch

Connect to full device alarm (option)

Connect to dedust thermal prot. (option)

Connect to dedust blower (option)

Connect to conveying blower thermal prot. (option)

Connect to conveyor blower (option)

Connect to cutting motor

Connect to power

机型版本 Ver.E

Mark	Before modification	After modification	Modified by	Modify date	Checked by	Date	20210615
Drawer	Version	I	Designer	Approved by			
Proofread by							

Title SG-2427N
电气元件布置图

Drawing NO. SG-2427N-CE-230V-I-4

SHINI 信易电热机械股份有限公司
Shini Plastics Technologies, Inc.

Scale	Page 4
Standard	CE
Voltage	3φ230V
Frequency	50Hz
Totally 6 Pages	

1 2 3 4 5 6 7 8

D

A

B

C

D

1		2		3		4		5		6		7		8			
NO.	Symbol	Name			Manufacturer		Type		Specification		Number	Material number		Remark			
1	Q1	Main power switch			EATON		TO-2-1/EA/SVB		20A		1	YE10021160000		(1)			
2	Q2	Circuit breaker			TECO		BM-63C/3P		10A		1	YE40301003000					
3	Q3	Circuit breaker			TECO		BM-63C/3P		6A		1	YE40300603000		(2)			
4	Q4	Circuit breaker			TECO		BM-63C/3P		6A		1	YE40300603000		(3)			
5	Q5	Circuit breaker			TECO		BM-63C/2003S 2P		3A		1	YE40200203000					
6	Q6	Circuit breaker			TECO		BM-63C/1003S 1P		3A		1	YE40100203000					
7	K1	Middle relay			Honeywell		GR-2C-AC24V		24VAC		1	YE03022400300					
8	K2,K3	Contactor			SIEMENS		3RT6016-1AB02		24VAC 50/60Hz		2	YE00601602600					
9		Auxiliary contact terminal			SIEMENS		3RH6911-1HA11		1NO+1NC		2	YE00691100100		(5)			
10	K4	接触器/Contactor			SIEMENS		3RT6016-1AB01		24VAC 50/60Hz		1	YE00601602500		(2)Cancel			
11	K4	Contactor			SIEMENS		3RT6015-1AB01		24VAC 50/60Hz		1	YE00601502500		(2)New			
12		Auxiliary contact			SIEMENS		3RH6911-1HA11		1NO+1NC		1	YE00691100100		(2)(5)			
13	K5	Contactor			SIEMENS		3RT6015-1AB01		24VAC 50/60Hz		1	YE00601502500		(3)			
14	K6	Contactor			SIEMENS		3RT6016-1AB02		24VAC 50/60Hz		1	YE00601602600		(5)			
15	K7	Safety relay			PILZ		PNOZ×2.8P		24V AC/DC		1	YE04023000000		(5)			
16	K8	Time relay			YUYUN		TRF-N 3min		24VAC 50/60Hz		1	YE86032400000		(2)			
17	K9	Middle relay			HONEYWELL		GR-2C-AC24V		24VAC		1	YE03022400300		(2)(3)			
18	F1	Thermal overload relay			SIEMENS		3RU6116-1EB0		2.8-4.0A		1	YE01160280000					
19	H2	3-color alarm light			SHINI		Red. gre. yel.+buzzer		24VAC 50/60Hz		1	BL90002401520		(1)			
20	H3	Buzzer			TEND		EA-2		24VAC		1	YE84240200000		(1)(4)			
21	S1	Emergency stop button			SCHNEIDER		XB2BS542C		230VAC		1	YE11254200000		(1)			
22		Contact block			SCHNEIDER		ZB2BE102C		1NC		1	YE00210203100		(1)(5)			
23	S2	Stop button			SCHNEIDER		XB2BA22C		230VAC		1	YE11222000000		(1)			
24	S3,H1	Start button (with light)			SCHNEIDER		XB2BW33B1C		24VAC		1	YE11233100000		(1)			
25		Contact block			SCHNEIDER		ZB2BE101C		1NO		1	YE00210103100		(1)(5)			
机型版本		Ver.E		Notes:(1)Materials not in the control box;(2)Conveying blower assembly;(3)Dedust blower assembly;(4) Full- material alarm options; (5) Safety relay accessories;													
				Drawer		Version		I		Title		Drawing NO.		Scale		Page 5	
				Designer		Approved by				SG-2427N		SG-2427N-CE-230V-I-5		Standard		CE	
				Proofread by		Date		20210615		电气元件明细表一				Voltage		3φ230V	
Mark		Before modification		After modification		Modified by		Modify date		Checked by		Date		Frequency		50Hz	
1		2		3		4		5		6		7		8			



1		2		3		4		5		6		7		8			
NO.	Symbol	Name		Manufacturer		Type		Specification		Number	Material number		Remark				
A	26	S4,S5	Safety switch		SCHMERSAL		AZ 152VK-1476		AC-15		2	YE16147600100		(1)			
	27	S4,S5	Safety switch		SCHMERSAL		AZ16-02ZVRK-1476		AZ-16		2	YE16147600000		(1)(5)			
	28	PCB	Circuit board PCB		YUYUN		AC-01		24VAC		1	YE80012400600					
	29	T	Mutual transformer		BAIYUN		IN=230V OUT=24V		80VA		1	YE70248005900					
	30	S6	Sensor		DELIN		DL-12		24VDC NPN		1	YE15122400000		(1)			
	31	MS	Level sensor		----		SR-80		3A/24V		1	YE15802400100		(1)(4)			
	32	X1	Terminal board		Honeywell		SK2.5		2.5mm ²		14	YE60002503200					
B	33				Honeywell		GK2.5PE		2.5mm ² PE		2	YE60002503400					
	34				Honeywell		SK2.5		2.5mm ²		3	YE60002503200		(2)			
	35				Honeywell		GK2.5PE		2.5mm ² PE		1	YE60002503400		(2)			
	36				Honeywell		SK2.5		2.5mm ²		3	YE60002503200		(3)			
	37				Honeywell		GK2.5PE		2.5mm ² PE		1	YE60002503400		(3)			
	38				Honeywell		SK2.5		2.5mm ²		4	YE60002503200		(4)			
	39				Honeywell		SK2.5		2.5mm ²		4	YE60002503200		(5)			
C	40	X10	Metal connector		----		PLT-254-PM		4P		1	YE68025400000		(1)(4)			
	41				----		PLT-254-RF		4P		1	YE68025400100		(1)(4)			
	42	M1	Granulating motor		----		----		230V 50Hz 0.75kW		1	-----		(1)			
	43	M2	Conveying blower		----		----		230V 50Hz 0.55kW		1	-----		(1)(2)			
	44	M3	Dedust blower		----		----		230V 50Hz 0.12kW		1	-----		(1)(3)			
D	机型版本 Ver.E		Notes:(1)Materials not in the control box;(2)Conveying blower assembly;(3)Dedust blower assembly;(4) Full- material alarm options; (5) Safety relay accessories;														
	Mark	Before modification	After modification	Modified by	Modify date	Checked by	Date	20210615	Title SG-2427N 电气元件明细表二		Drawing NO. SG-2427N-CE-230V-I-6		Scale	Page 6	D		
								Approved by		Standard		CE	Totally 6 Pages				
								Proofread by		Voltage		3Φ230V					
								Date		Frequency		50Hz					



信易電熱機械股份有限公司
Shini Plastics Technologies, Inc.

1 2 3 4 5 6 7 8

A

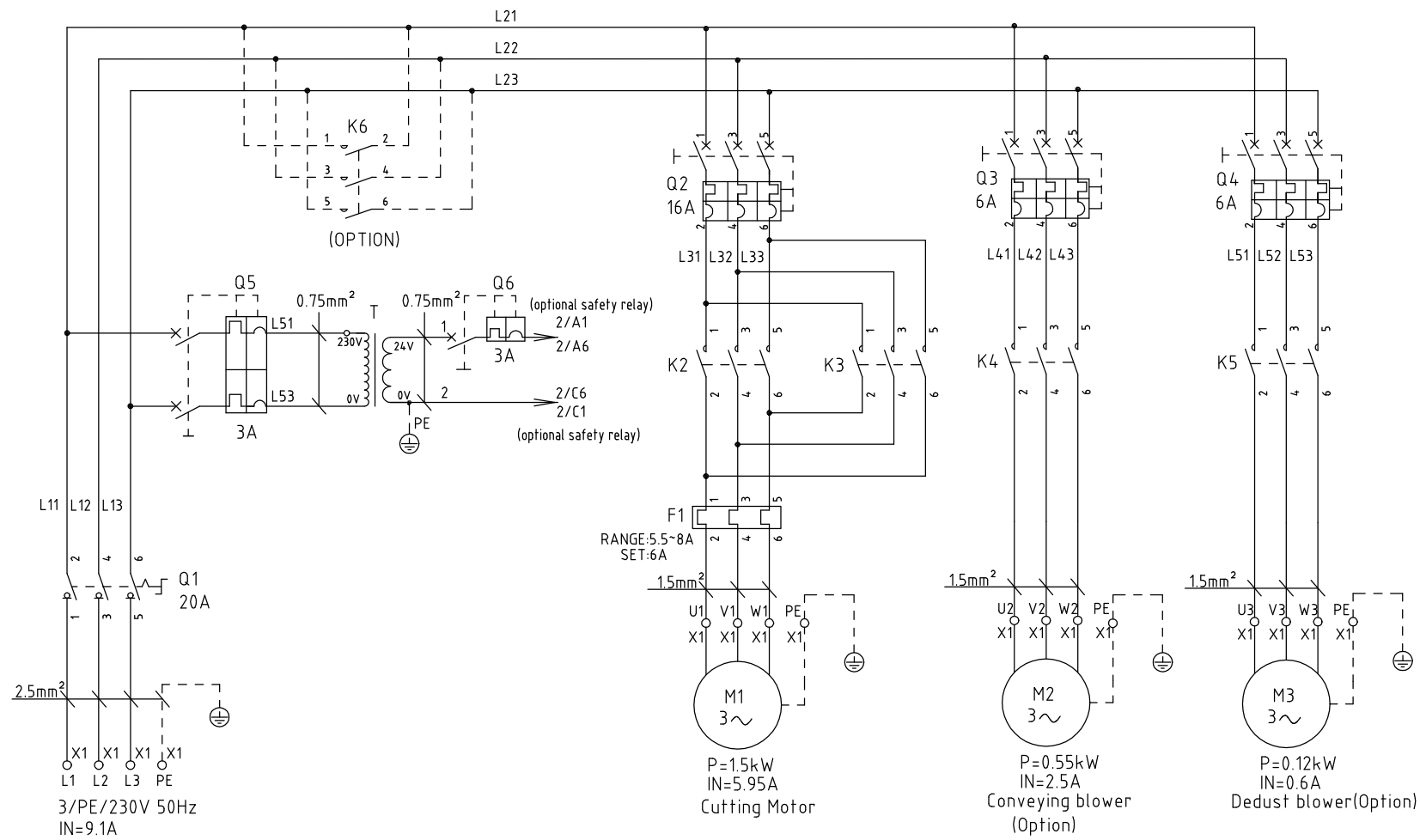
B

C

A

B

C



机型版本 Ver.E

				Drawer	Version	I	Title	SG-2436N	Drawing NO.	SG-2436N-CE-230V-I-1	Scale	Page	1
				Designer	Approved by		主电路图	SHINI	信易電熱機械股份有限公司 Shini Plastics Technologies, Inc.	Standard	CE	Totally	6 Pages
				Proofread by	Date	20210615				Voltage	3Φ230V		
Mark	Before modification	After modification	Modified by	Modify date	Checked by		Frequency	50Hz					

1 2 3 4 5 6 7 8

D

D

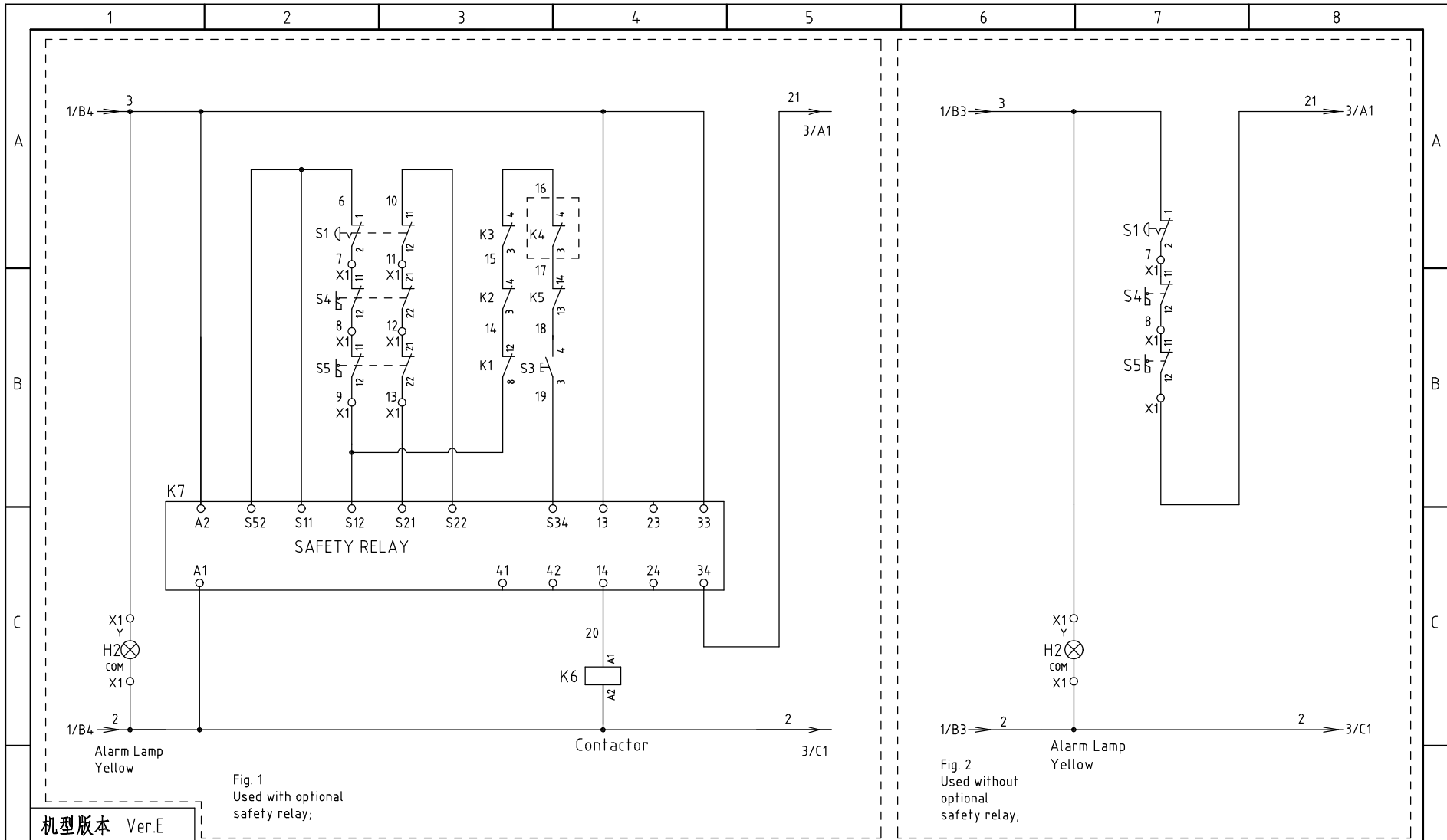
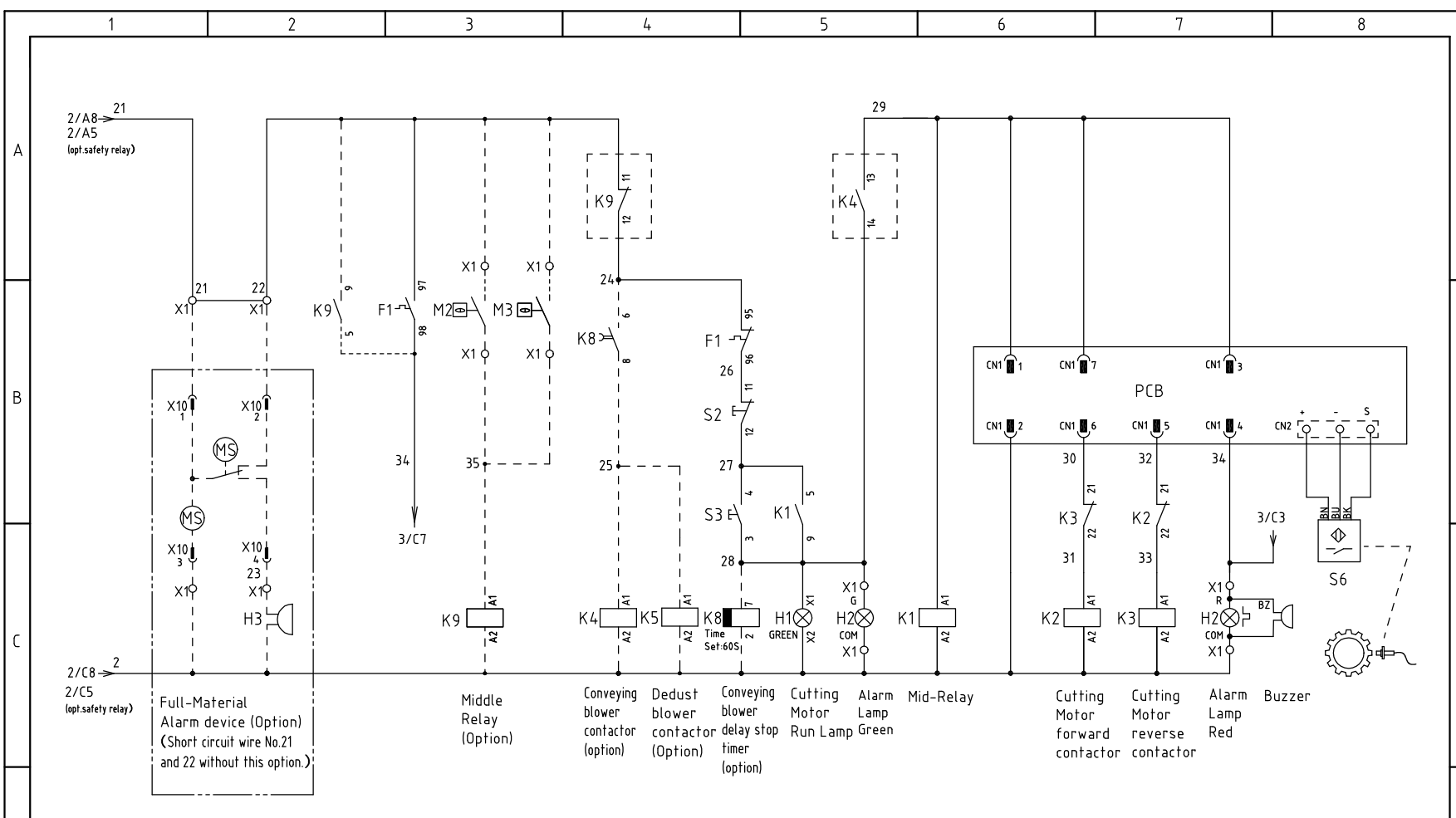


Fig. 1
Used with optional
safety relay;

Fig. 2
Used without
optional
safety relay;


机型版本 Ver.E

				Drawer	Version		I		Title		Drawing NO.		Scale	Page 2	
				Designer	Approved by				SG-2436N		SG-2436N-CE-230V-I-2		Standard	CE Totally 6 Pages	
				Proofread by	Date		20210615		控制电路图一				Voltage	3φ230V	
Mark	Before modification	After modification	Modified by	Modify date	Checked by					SHINI		Frequency		50Hz	
										信易電熱機械股份有限公司				SHINI Plastics Technologies, Inc.	



机型版本 Ver.E

Notes: Options are in the dashed box. If there is no option, short circuit the line 2;

D					Drawer	Version	I	Title	Drawing NO.	Scale	Page
					Designer			SG-24 36N	SG-24 36N-CE-230V-I-3		3
					Proofread by	Approved by		控制电路图二		Standard	Totally 6 Pages
					Checked by	Date	20210615	 信易電熱機械股份有限公司 Shini Plastics Technologies, Inc.		Voltage	3φ230V
Mark	Before modification	After modification	Modified by	Modify date			Frequency			50Hz	
	1	2	3	4	5	6	7	8			

1 2 3 4 5 6 7 8

A

B

C

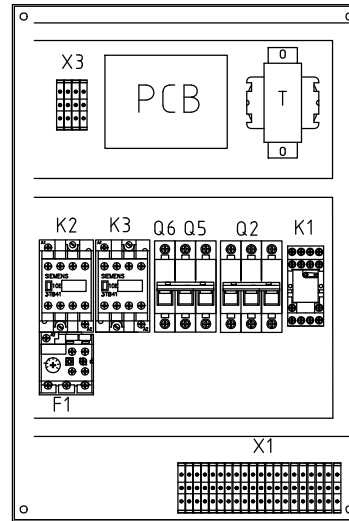
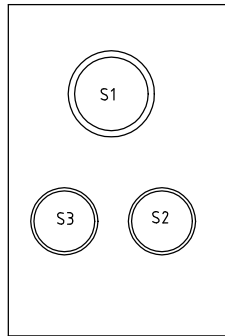
D

A

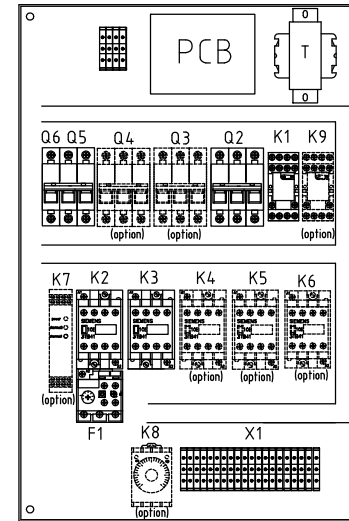
B

C

D

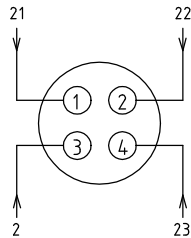


standard assembly drawing



optional assembly drawing

X10 Metal connector (option)



33	32	31	30	29	28	27	26	25	24	23	22	21	20	19	18	17	16	15	14	13	12	11	10	9	8	7	6	5	4	3	2	1	PE		
2	21	28	34	7	8	8	9	11	12	12	13	21	22	2	23	21	35	1U3	1V3	1W3	1PE	21	35	1U2	1V2	1W2	1PE	1U1	V1	W1	PE	L1	L2	L3	PE

Connect to alarm light
yel, gre, red

Change terminal 9 to 21 without the safety relay;

Connect to safety switch

Connect to full device alarm (option)

Connect to dedust thermal prot. (option)

Connect to dedust blower (option)

Connect to conveying blower Thermal prot. (option)

Connect to conveying blower (option)

Connect to cutting motor

Connect to power

机型版本 Ver.E

Mark	Before modification	After modification	Modified by	Modify date	Checked by	Date	20210615
					Drawer	Version	I
					Designer	Approved by	
					Proofread by		

Title SG-2436N
电气元件布置图

Drawing NO. SG-2436N-CE-230V-I-4



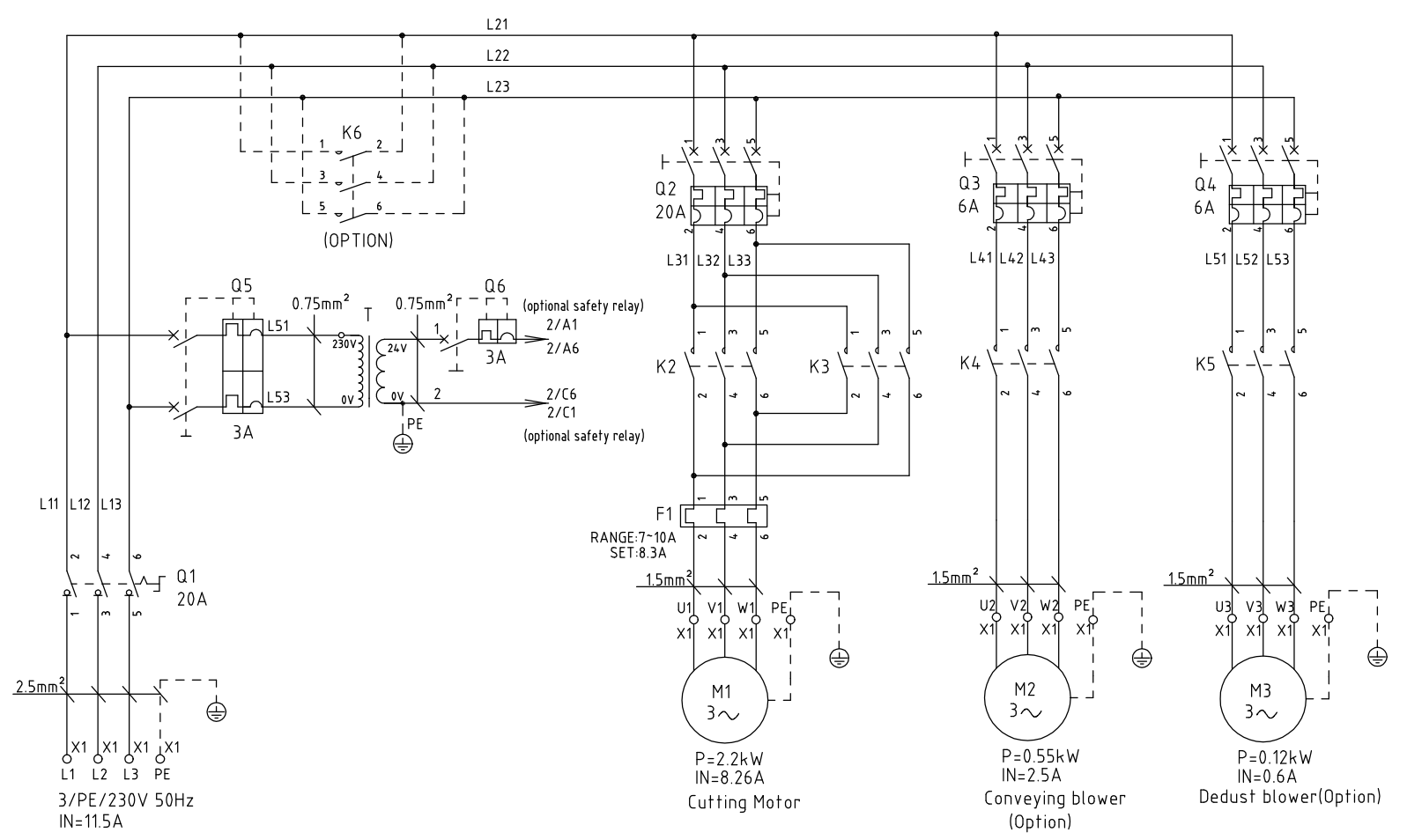
Scale	Page 4
Standard	CE Totally 6 Pages
Voltage	3Φ230V
Frequency	50Hz

1 2 3 4 5 6 7 8

1		2		3		4		5		6		7		8			
NO.	Symbol	Name		Manufacturer		Type		Specification		Number	Material number		Remark				
1	Q1	Main power switch		EATON		TO-2-1/EA/SVB		20A		1	YE10021160000		(1)				
2	Q2	Circuit breaker		TECO		BM-63C/3P		16A		1	YE40301603000						
3	Q3	Circuit breaker		TECO		BM-63C/3P		6A		1	YE40300603000		(2)				
4	Q4	Circuit breaker		TECO		BM-63C/3P		6A		1	YE40300603000		(3)				
5	Q5	Circuit breaker		TECO		BM-63C/2003S 2P		3A		1	YE40200203000						
6	Q6	Circuit breaker		TECO		BM-63C/1003S 1P		3A		1	YE40100203000						
7	K1	Middle relay		Honeywell		GR-2C-AC24V		24VAC		1	YE03022400300						
8	K2,K3	Contactor		SIEMENS		3RT6016-1AB02		24VAC 50/60Hz		2	YE00601602600						
9		Auxiliary contact		SIEMENS		3RH6911-1HA11		1NO+1NC		2	YE00691100100		(5)				
10	K4	接触器/Contactor		SIEMENS		3RT6016-1AB01		24VAC 50/60Hz		1	YE00601602500		(2)				
11	K4	Contactor		SIEMENS		3RT6015-1AB01		24VAC 50/60Hz		1	YE00601502500		(2)				
12		Auxiliary contact		SIEMENS		3RH6911-1HA11		1NO+1NC		1	YE00691100100		(2)(5)				
13	K5	Contactor		SIEMENS		3RT6015-1AB01		24VAC 50/60Hz		1	YE00601502500		(3)				
14	K6	Contactor		SIEMENS		3RT6017-1AB02		24VAC 50/60Hz		1	YE00601702600		(5)				
15	K7	Safety relay		PILZ		PNOZ×2.8P		24V AC/DC		1	YE04023000000		(5)				
16	K8	Time relay		YUYUN		TRF-N 3min		24VAC 50/60Hz		1	YE86032400000		(2)				
17	K9	Middle relay		HONEYWELL		GR-2C-AC24V		24VAC		1	YE03022400300		(2)(3)				
18	F1	Thermal overload relay		SIEMENS		3RU6116-1HB0		5.5-8A		1	YE01160550000						
19	H2	3-color alarm light		SHINI		Red. gre. yel.+buzzer		24VAC 50/60Hz		1	BL90002401520		(1)				
20	H3	Buzzer		TEND		EA-2		24VAC		1	YE84240200000		(1)(4)				
21	S1	Emergency stop button		SCHNEIDER		XB2BS542C		230VAC		1	YE11254200000		(1)				
22		Contact block		SCHNEIDER		ZB2BE102C		1NC		1	YE00210203100		(1)(5)				
23	S2	Stop button		SCHNEIDER		XB2BA22C		230VAC		1	YE11222000000		(1)				
24	S3,H1	Start button (with light)		SCHNEIDER		XB2BW33B1C		24VAC		1	YE11233100000		(1)				
25		Contact block		SCHNEIDER		ZB2BE101C		1NO		1	YE00210103100		(1)(5)				
机型版本		Ver.E		Notes:(1)Materials not in the control box;(2)Conveying blower assembly;(3)Dedust blower assembly;(4) Full- material alarm options; (5) Safety relay accessories;													
				Drawer		Version		I		Title		Drawing NO.		Scale		Page 5	
				Designer		Approved by				SG-2436N 电气元件明细表一		SG-2436N-CE-230V-I-5		Standard CE		Totally 6 Pages	
				Proofread by		Date		20210615		 信易電熱機械股份有限公司 Shini Plastics Technologies, Inc.		Voltage		3φ230V			
Mark		Before modification		After modification		Modified by		Modify date				Checked by		Frequency		50Hz	
1		2		3		4		5		6		7		8			

1		2		3		4		5		6		7		8	
No.	Symbol	Name		Manufacturer		Type		Specification		Number	Material number		Remark		
A	26	S4,S5	Safety switch		SCHMERSAL		AZ 152VK-1476		AC-15		2	YE16147600100		(1)	
	27	S4,S5	Safety switch		SCHMERSAL		AZ16-02ZVRK-1476		AZ-16		2	YE16147600000		(1) (5)	
	28	PCB	Circuit board PCB		YUYUN		AC-01		24VAC		1	YE80012400600			
	29	T	Mutual transformer		BAIYUN		IN=230V OUT=24V		80VA		1	YE70248005900			
	30	S6	Sensor		DELIN		DL-12		24VDC NPN		1	YE15122400000		(1)	
	31	MS	Level sensor		----		SR-80		3A/24V		1	YE15802400100		(1)(4)	
	32	X1	Terminal board		Honeywell		SK2.5		2.5mm ²		14	YE60002503200			
B	33				Honeywell		GK2.5PE		2.5mm ² PE		2	YE60002503400			
	34				Honeywell		SK2.5		2.5mm ²		3	YE60002503200		(2)	
	35				Honeywell		GK2.5PE		2.5mm ² PE		1	YE60002503400		(2)	
	36				Honeywell		SK2.5		2.5mm ²		3	YE60002503200		(3)	
	37				Honeywell		GK2.5PE		2.5mm ² PE		1	YE60002503400		(3)	
	38				Honeywell		SK2.5		2.5mm ²		4	YE60002503200		(4)	
	39				Honeywell		SK2.5		2.5mm ²		4	YE60002503200		(5)	
C	40	X10	Metal connector		----		PLT-254-PM		4P		1	YE68025400000		(1) (4)	
	41				----		PLT-254-RF		4P		1	YE68025400100		(1) (4)	
	42	M1	Granulating motor		----		----		230V 50Hz 1.5kW		1	-----		(1)	
	43	M2	Conveying blower		----		----		230V 50Hz 0.55kW		1	-----		(1)(2)	
	44	M3	Dedust blower		----		----		230V 50Hz 0.12kW		1	-----		(1)(3)	
机型版本 Ver.E Notes:(1)Materials not in the control box;(2)Conveying blower assembly;(3)Dedust blower assembly;(4) Full- material alarm options; (5) Safety relay accessories;															
D	Mark		Before modification	After modification	Modified by	Modify date	Checked by	Date	20210615	Title SG-2436N 电气元件明细表二		Drawing NO. SG-2436N-CE-230V-I-6		Scale	Page 6
							Designer	Version		Approved by			Standard	CE	Totally 6 Pages
							Proofread by						Voltage	3Φ230V	
													Frequency	50Hz	
1		2		3		4		5		6		7		8	



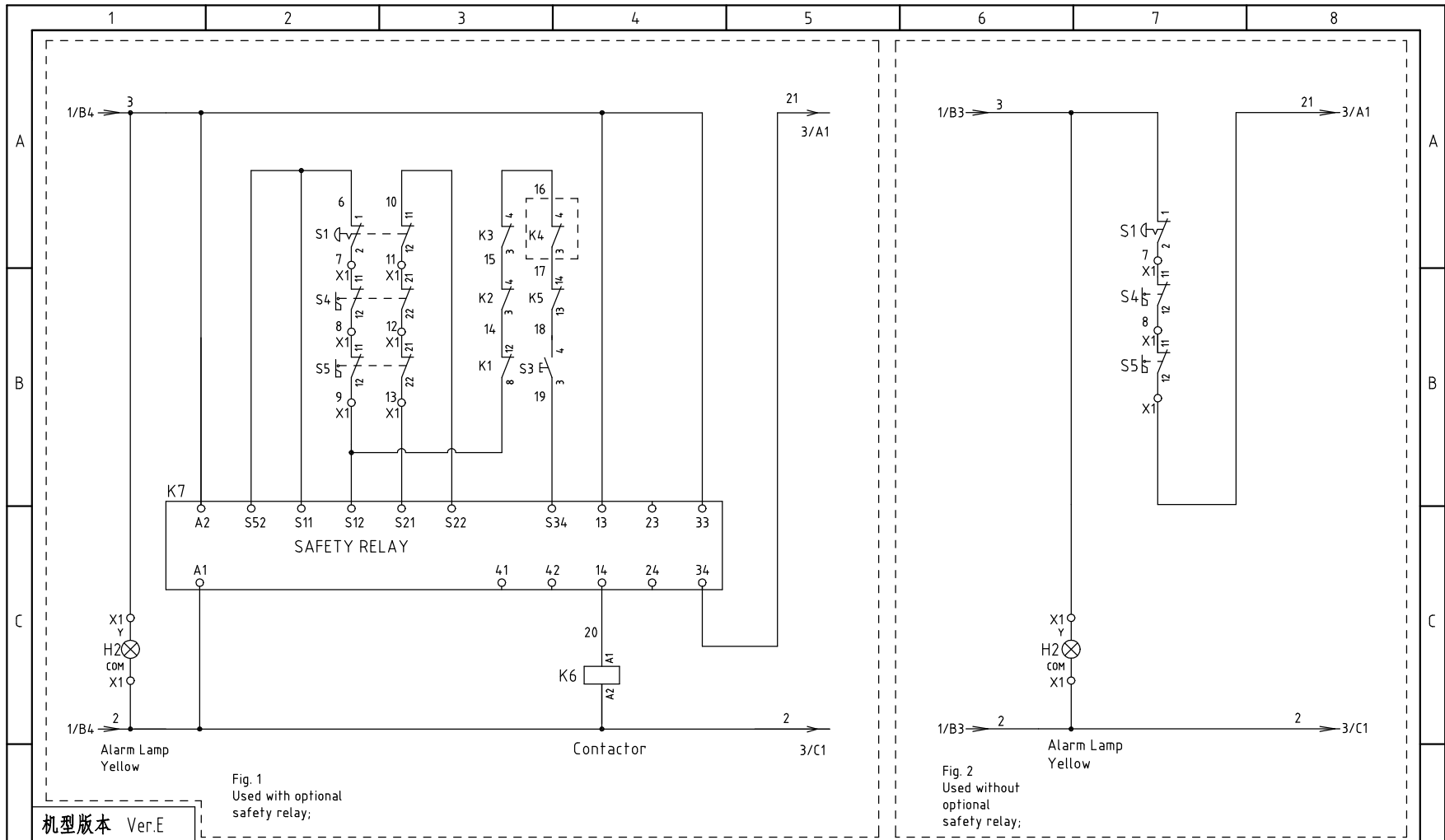


机型版本 Ver.E

Mark	Before modification	After modification	Modified by	Modify date	Checked by	Date	20210615

Title	SG-2446N 主电路图	Drawing NO.	SG-2446N-CE-230V-I-1	Scale		Page	1
				Standard	CE	Totally	6 Pages
				Voltage	3φ230V		
				Frequency	50Hz		

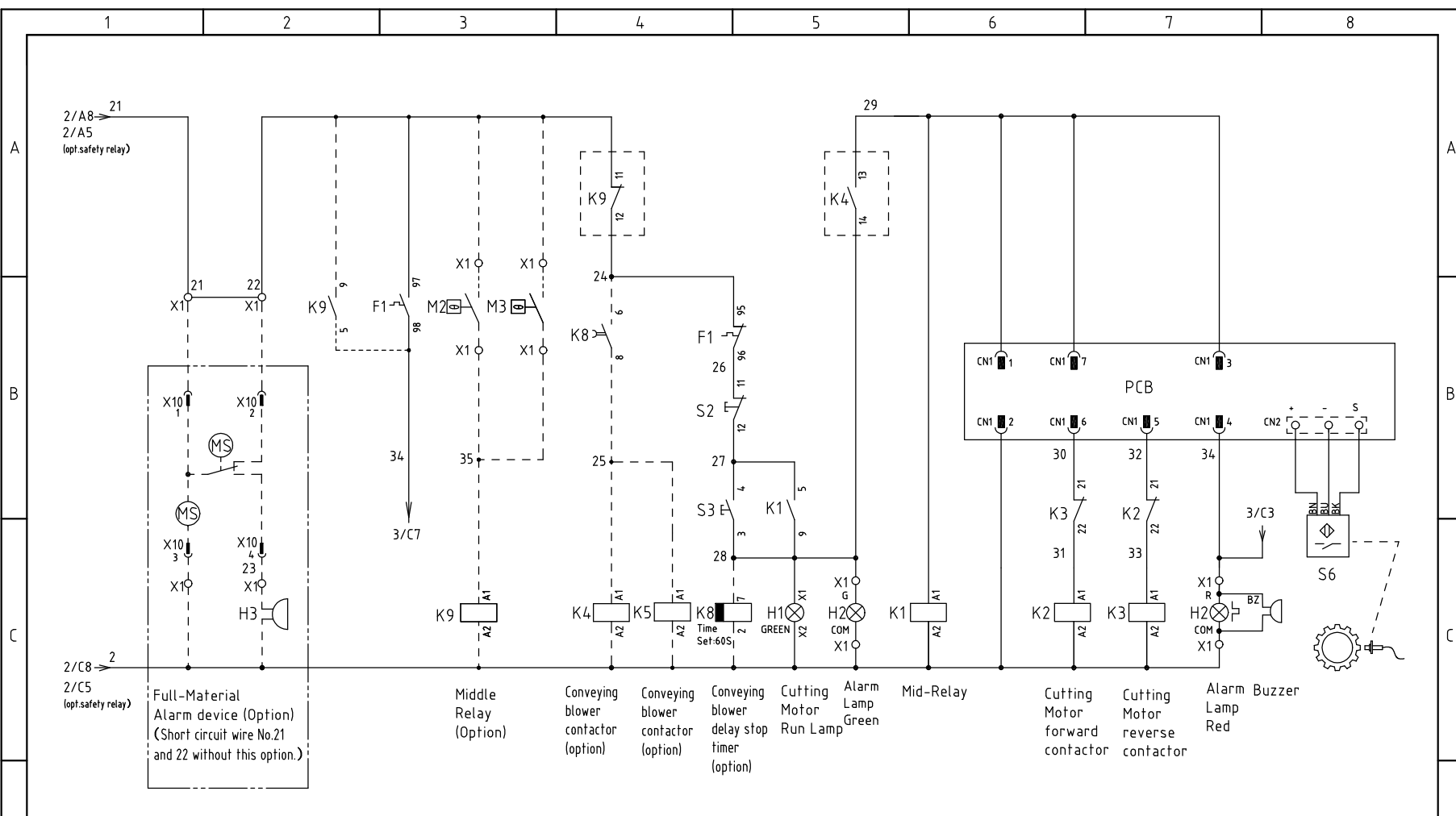




机型版本 Ver.E

Mark	Before modification	After modification	Modified by	Modify date	Checked by	Date	20210615
					Drawer	Version	I
					Designer	Approved by	
					Proofread by		

Title		Drawing NO.		Scale	Page
SG-2446N		SG-2446N-CE-230V-I-2		CE	2
控制电路图一				Totally	6 Pages
 SHINI 信易電熱機械股份有限公司 Shini Plastics Technologies, Inc.		Voltage		3Φ230V	
		Frequency		50Hz	

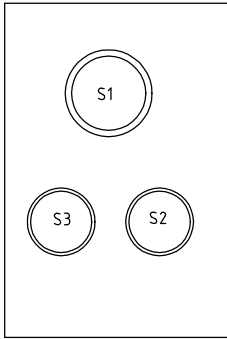


机型版本 Ver.E

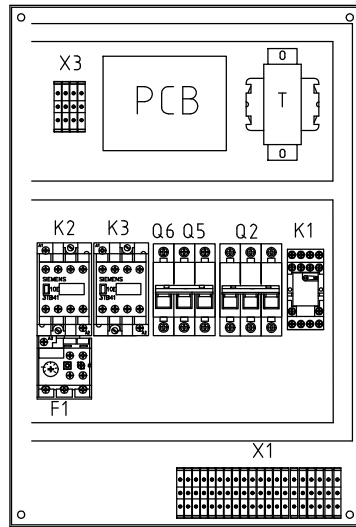
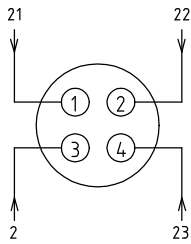
Notes: Options are in the dashed box. If there is no option, short circuit the line 2;

				Drawer	Version		Title		Drawing NO.		Scale	Page 3
				Designer	Approved by		SG-2446N 控制电路图二		SG-2446N-CE-230V-I-3		Standard	Totally 6 Pages
				Proofread by	Date		信易電熱機械股份有限公司 Shini Plastics Technologies, Inc.		Voltage		3φ230V	
Mark	Before modification	After modification	Modified by	Modify date	Checked by	20210615			Frequency		50Hz	

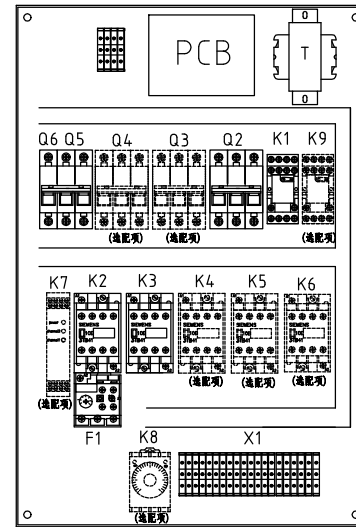
1 2 3 4 5 6 7 8



X10 Metal connector (option)



standard assembly drawing



optional assembly drawing

33	32	31	30	29	28	27	26	25	24	23	22	21	20	19	18	17	16	15	14	13	12	11	10	9	8	7	IPE	6	5	4	PE	3	2	1	PE	
2	21	28	34	7	8	8	9	11	12	12	13	21	22	2	23	21	35	U3	V3	W3	IPE	1	21	35	U2	V2	W2	IPE	U1	V1	W1	PE	L1	L2	L3	PE

Connect to alarm light
yel: gre: red

Change terminal 9 to 21 without the safety relay.
Connect to safety switch

Connect to full device alarm (option)

Connect to dedust thermal prot (option)

Connect to dedust blower (option)

Connect to conveying blower thermal prot. (option)

Connect to conveyor blower (option)

Connect to cutting motor

Connect to power

机型版本 Ver.E

Mark	Before modification	After modification	Modified by	Modify date	Checked by	Date	20210615
1	2	3	4				

Title	SG-2446N 电气元件布置图	Drawing NO.	SG-2446N-CE-230V-I-4
信易電熱機械股份有限公司 Shini Plastics Technologies, Inc.		Scale	Page 4
		Standard	CE Toally 6 Pages
		Voltage	3Φ230V
		Frequency	50Hz

1		2		3		4		5		6		7		8						
NO.	Symbol	Name		Manufacturer		Type		Specification		Number	Material number		Remark							
A	1	Q1	Main power switch		EATON		TO-2-1/EA/SVB		20A		1	YE10021160000		(1)						
	2	Q2	Circuit breaker		TECO		BM-63C/3P		20A		1	YE40302003000								
	3	Q3	Circuit breaker		TECO		BM-63C/3P		6A		1	YE40300603000		(2)						
	4	Q4	Circuit breaker		TECO		BM-63C/3P		6A		1	YE40300603000		(3)						
	5	Q5	Circuit breaker		TECO		BM-63C/2003S 2P		3A		1	YE40200203000								
	6	Q6	Circuit breaker		TECO		BM-63C/1003S 1P		3A		1	YE40100203000								
	7	K1	Middle relay		Honeywell		GR-2C-AC24V		24VAC		1	YE03022400300								
B	8	K2,K3	Contactor		SIEMENS		3RT6017-1AB02		24VAC 50/60Hz		2	YE00601702600								
	9		Auxiliary contact terminal		SIEMENS		3RH6911-1HA11		1NO+1NC		2	YE00691100100		(5)						
	10	K4	接触器/Contactor		SIEMENS		3RT6016-1AB01		24VAC 50/60Hz		1	YE00601602500		(2)						
	11	K4	Contactor		SIEMENS		3RT6015-1AB01		24VAC 50/60Hz		1	YE00601502500		(2)						
	12		Auxiliary contact		SIEMENS		3RH6911-1HA11		1NO+1NC		1	YE00691100100		(2)(5)						
	13	K5	Contactor		SIEMENS		3RT6015-1AB01		24VAC 50/60Hz		1	YE00601502500		(3)						
	14	K6	Contactor		SIEMENS		3RT6018-1AB02		24VAC 50/60Hz		1	YE00601802600		(5)						
C	15	K7	Safety relay		PILZ		PNOZ×2.8P		24V AC/DC		1	YE04023000000		(5)						
	16	K8	Time relay		YUYUN		TRF-N 3min		24VAC 50/60Hz		1	YE86032400000		(2)						
	17	K9	Middle relay		HONEYWELL		GR-2C-AC24V		24VAC		1	YE03022400300		(2)(3)						
	18	F1	Thermal overload relay		SIEMENS		3RU6116-1JB0		7-10A		1	YE01167100000								
	19	H2	3-color alarm light		SHINI		Red. gre. yel.+buzzer		24VAC 50/60Hz		1	BL90002401520		(1)						
	20	H3	Buzzer		TEND		EA-2		24VAC		1	YE84240200000		(1)(4)						
	21	S1	Emergency stop button		SCHNEIDER		XB2BS542C		400VAC		1	YE11254200000		(1)						
	22		Contact block		SCHNEIDER		ZB2BE102C		1NC		1	YE00210203100		(1)(5)						
	23	S2	Stop button		SCHNEIDER		XB2BA22C		400VAC		1	YE11222000000		(1)						
	24	S3,H1	Start button (with light)		SCHNEIDER		XB2BW33B1C		24VAC		1	YE11233100000		(1)						
	25		Contact block		SCHNEIDER		ZB2BE101C		1NO		1	YE00210103100		(1)(5)						
机型版本 Ver.E		Notes:(1)Materials not in the control box;(2)Conveying blower assembly;(3)Dedust blower assembly;(4) Full- material alarm options; (5) Safety relay accessories;																		
D					Drawer		Version		I		Title		SG-2446N		Drawing NO.		Scale		Page 5	
					Designer		Approved by				电气元件明细表一		SG-2446N-CE-230V-I-5		Standard		CE		Totally 6 Pages	
					Proofread by		Checked by		Date		20210615		 信易電熱機械股份有限公司 Shini Plastics Technologies, Inc.		Voltage		3φ230V			
	Mark		Before modification		After modification		Modified by		Modify date						Frequency		50Hz			
1		2		3		4		5		6		7		8						

